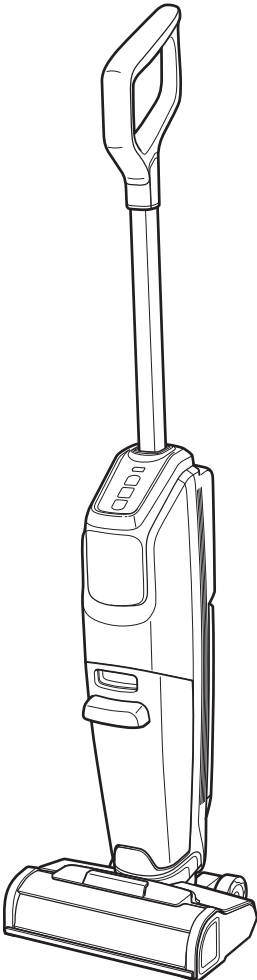




CROSSWAVE® OMNIFIND™

4006, 4007, 4008 SERIES





..... 3



..... 4



..... 5



..... 6



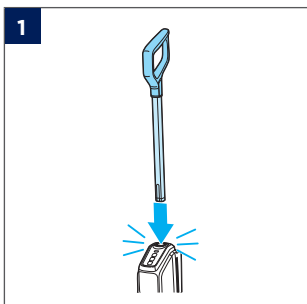
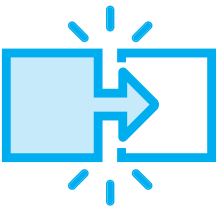
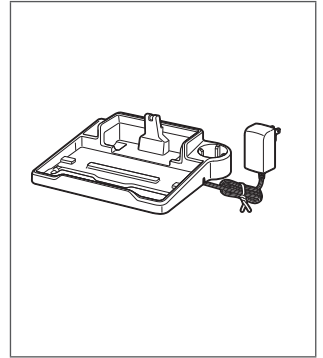
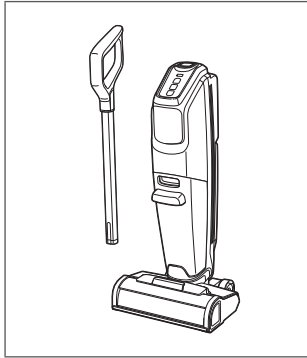
..... 7

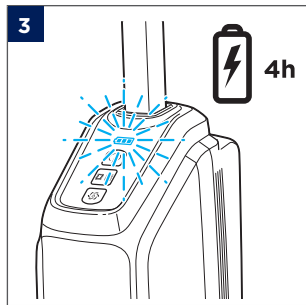
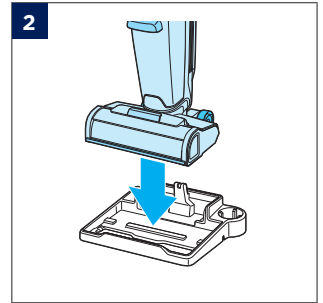
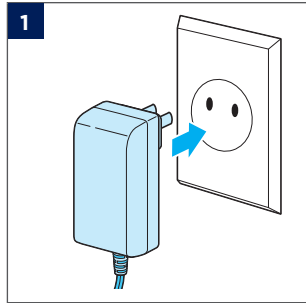


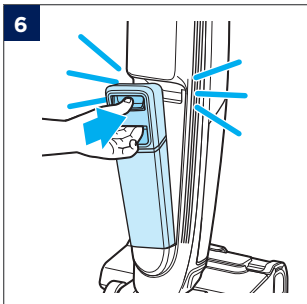
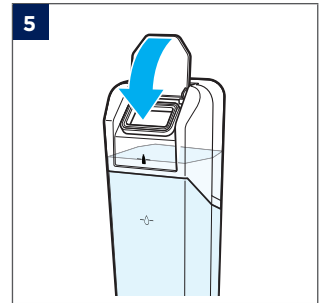
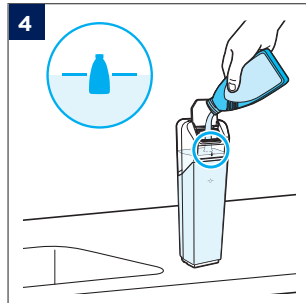
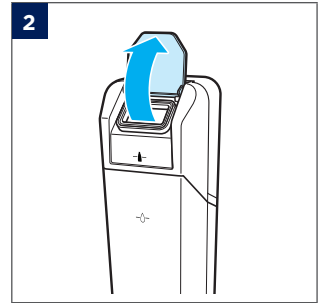
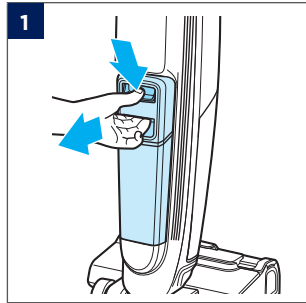
..... 8



..... 9







Natural Multi-Surface Cleaning Solution (3096, 3096I), Natural Multi-Surface Pet Cleaning Solution (3122, 3122I), Multi-Surface Cleaning Solution (1789I), Multi-Surface Pet Cleaning Solution (2550)

