



STEALTH™ PRO II

MODEL: PC

QUICK START GUIDE

**IMPORTANT
READ BEFORE USING**

CERTIFICATION MODEL:

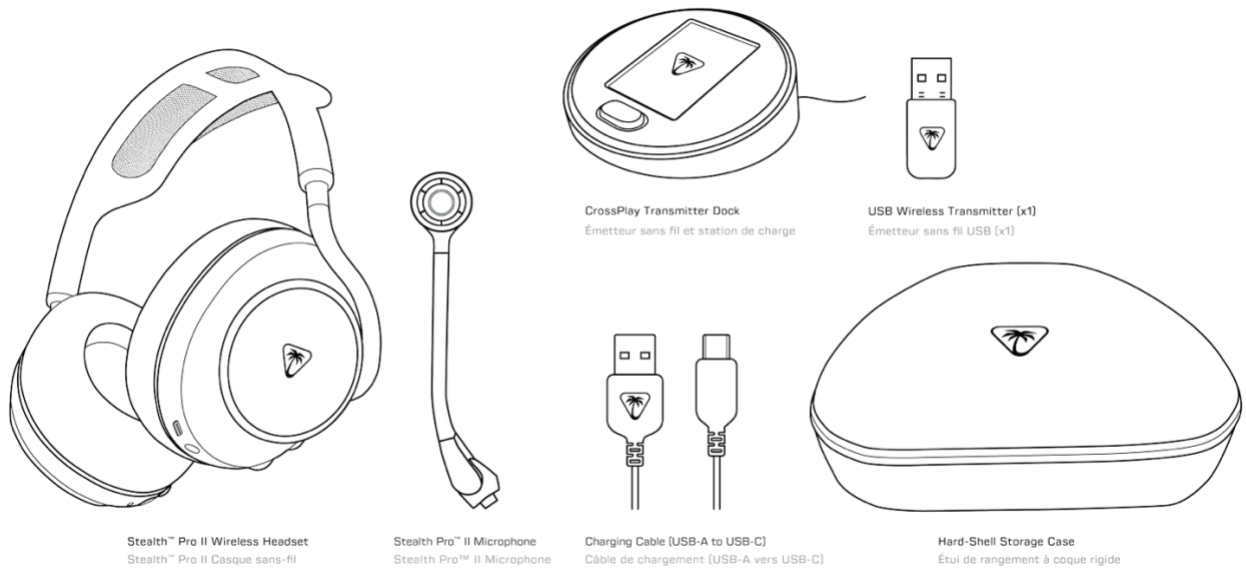
Wireless Headset: HWBB0013

Wireless Dongle: HWAA0013

Charging Base: HWAC0013

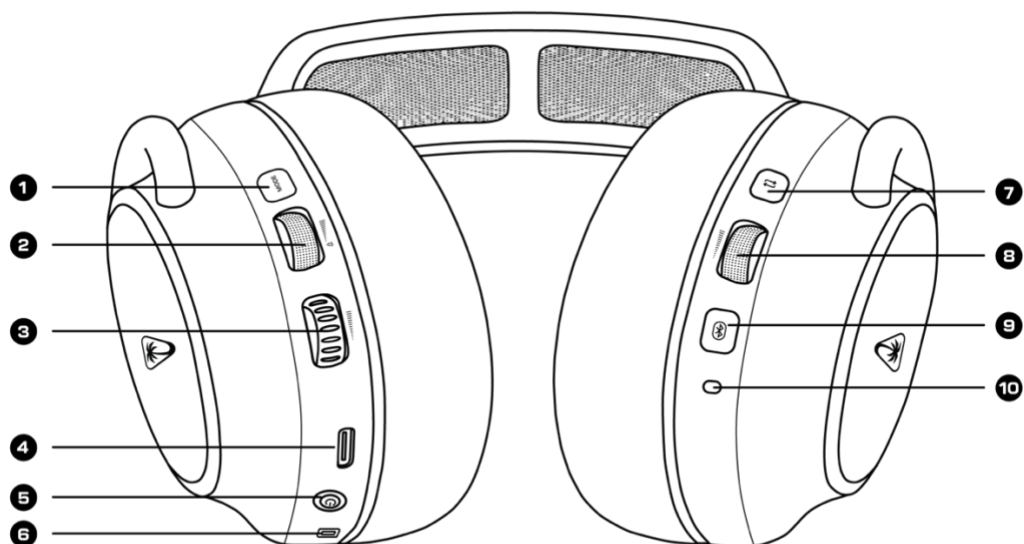
Battery: O0BC0013

STEALTH PRO II for PC – QSG



PACKAGE CONTENTS

- Stealth Pro II for PC headset
- Stealth Pro II microphone
- CrossPlay transmitter dock
- Rechargeable battery (x2)
- USB wireless transmitter (x1)
- USB-A to USB-C charging cable
- Hard-shell storage case



1. MODE Button

- Can be assigned different functions via Swarm II software. Default setting is Active Noise Cancellation (ANC) on/off

2. Game Volume

3. Variable Mic-Monitoring

- Can be assigned different functions via Swarm II software

4. USB-C Port

- Can be used for charging and PC audio playback

5. Power/ Superhuman Hearing Button

- Press (2 s) - Power On/Off
- Press (1 s) - Superhuman Hearing On/Off

6. Microphone Port

7. CrossPlay Button

- Press (1 s) - Switch between USB wireless transmitters

8. Bluetooth Volume

9. Bluetooth Multifunction Button (MFB)

- See Bluetooth Pairing Setup

10. Bluetooth Status LED



CROSSPLAY 2.0 WIRELESS SYSTEM

The CrossPlay 2.0 Wireless System allows you to wirelessly switch between up to four different platforms by pressing the CrossPlay button on the headset. Stealth Pro II includes a total of two USB wireless transmitters (CrossPlay transmitter dock x1 + USB wireless transmitter x1). Note that additional USB wireless transmitters are sold separately.

Press the CrossPlay button on the headset to switch between the USB wireless transmitters.

NOTE: USB wireless transmitters must be connected and powered on to allow switching. Switching transmitters will not automatically power on the source platform the transmitter is connected to.

The color of the LED on the USB wireless transmitter(s) will indicate which transmitter is active and whether the mic on the headset is muted, as indicated in the following chart:

USB WIRELESS TRANSMITTER STATUS	LED
Paired (Active Transmitter)	Solid White
Paired (Transmitter On Standby)	Solid Amber
Mic Is Muted	Pulsing Red
Paired (Active Transmitter) in Hi-Res Audio Wireless mode*	Solid Purple

*Available on PC or other systems supporting 24 bit/96 kHz output.

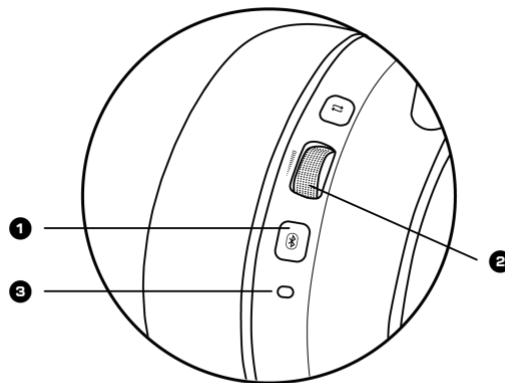


BLUETOOTH PAIRING

A new Stealth Pro II will enter Bluetooth-pairing mode the very first time powered on. If no Bluetooth connection is made within two minutes, Bluetooth-pairing mode will stop.

To manually enable Bluetooth-pairing mode at any time:

1. Press and hold the Bluetooth MFB until the "Pairing Bluetooth" voice prompt plays.
2. After placing your headset in the Bluetooth-pairing mode, select the headset from within your device's Bluetooth settings menu to connect.
3. The Bluetooth MFB is used to answer and end calls as well as for media playback control when connected to a mobile phone.



1. ANSWERING AND ENDING PHONE CALLS

When Stealth Pro II is connected via Bluetooth to your mobile phone, incoming calls can be answered by single-pressing the Bluetooth MFB on the headset. Calls can be ended either by single-pressing the Bluetooth MFB again, or by using your mobile phone to end the call.

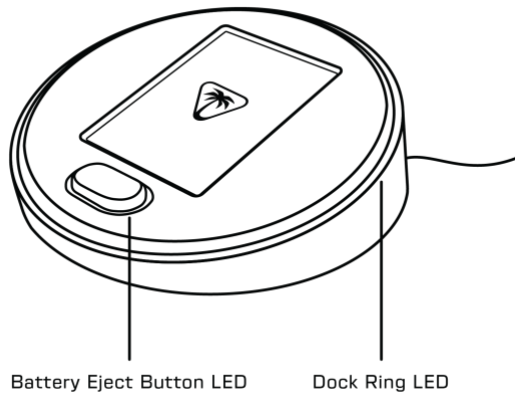
2. BLUETOOTH VOLUME CONTROL

Stealth Pro II features independent Bluetooth volume control. Use the volume control dial on the right side of the headset to adjust the volume of your connected Bluetooth device.

3. BLUETOOTH STATUS LED

The Bluetooth status LED is located just below the Bluetooth MFB on the right-side earcup of the headset. The Bluetooth status LED provides important information about the pairing status of the headset's Bluetooth connection.

BLUETOOTH STATUS LED IS...	
Blinking blue (every five seconds)	Paired to Bluetooth-enabled mobile phone or device
OFF	Bluetooth is not paired /headset not in Bluetooth pairing mode
Flashing blue	Bluetooth pairing mode



CROSSPLAY TRANSMITTER DOCK/USB WIRELESS TRANSMITTER

The CrossPlay transmitter dock provides a wireless USB connection and battery charging capability.

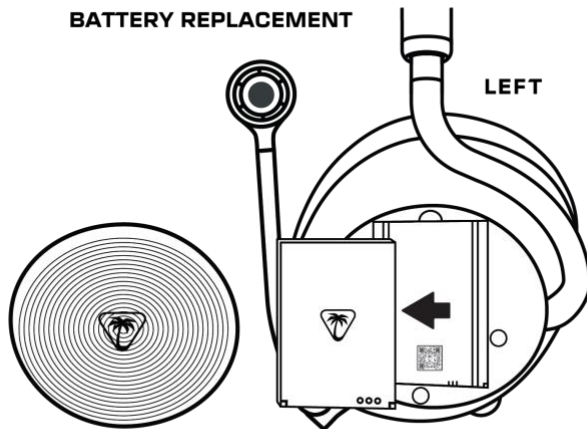
TRANSMITTER DOCK STATUS LED

The transmitter dock ring LED provides information about the status of the headset's wireless connection. The battery eject button LED provides battery charging status.

TRANSMITTER DOCK RING LED IS...	
Solid white	Paired via USB wireless
Breathing red	Microphone is muted
Blinking red	Firmware updating
Solid amber	CrossPlay transmitter connection in standby mode
Solid purple	Paired via USB wireless in Hi-Res Audio Wireless mode (24 bit/96 kHz)*

*Available on PC or other systems supporting 24-bit/96kHz output.

BATTERY REPLACEMENT



Remove the magnetically attached speaker plate on the left ear cup of the headset to access the rechargeable battery. Batteries can be recharged by placing them in the CrossPlay transmitter dock.

TRANSMITTER DOCK BATTERY EJECT BUTTON LED IS...	
Solid green	Battery charge at 96-100%
Slow breathing green	Battery charge at 80-95%
Slow breathing yellow	Battery charge at 34-79%
Slow breathing red	Battery charge at 0-33%



**TURTLE
BEACH™**

Any questions?

www.turtlebeach.com/support

Please register your product to receive important updates.

www.turtlebeach.com/productregistration

For warranty, visit:

www.turtlebeach.com/warranty