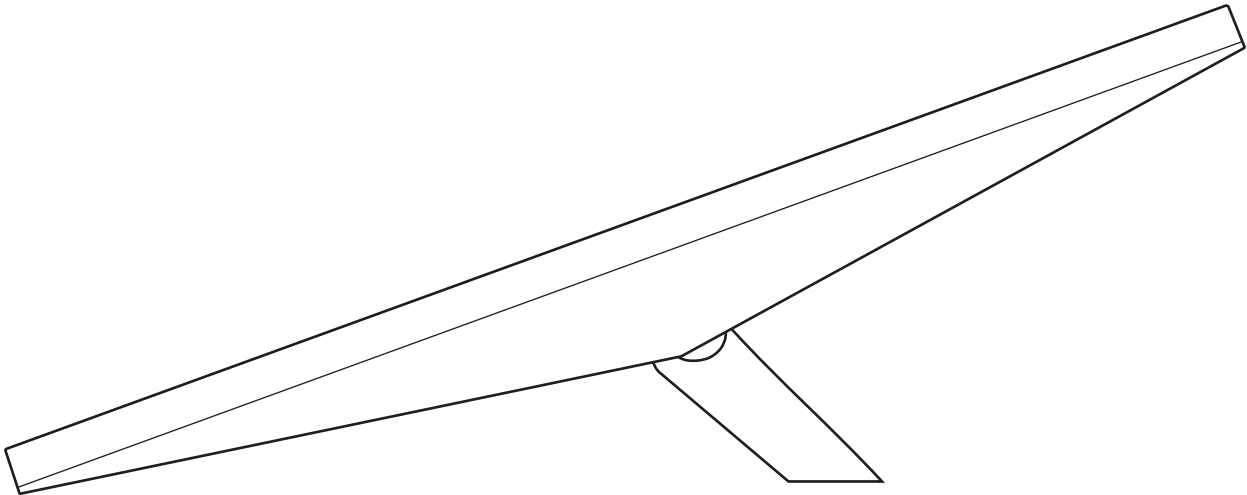


STARLINK | MINI ACCESSORIES



Available to purchase after receiving your order confirmation email.

The Starlink Mini Wall Mount is designed for installation on an exterior wall near the top of the gable or fascia. This wall mount can accommodate a 4" overhang maximum and offers a secure, long-reaching platform to optimize the placement of your Starlink for the best connectivity and performance.

Crafted from durable, weather-resistant materials, the mount ensures a sturdy and enduring foundation for your Starlink, capable of withstanding various environmental conditions. Its elongated design allows for greater flexibility in positioning, enabling easy alignment and adjustment to maximize signal reception.

Easy to install and adjust, the wall mount comes with all necessary hardware and instructions, simplifying the setup process for a hassle-free experience.

Compatibility:

Starlink Mini, 4" Overhang Maximum

Kit Contents:

Wall Mount, Silicone,
2x Lag Screws, 20x Cable Routing Clips

Recommended Tools:

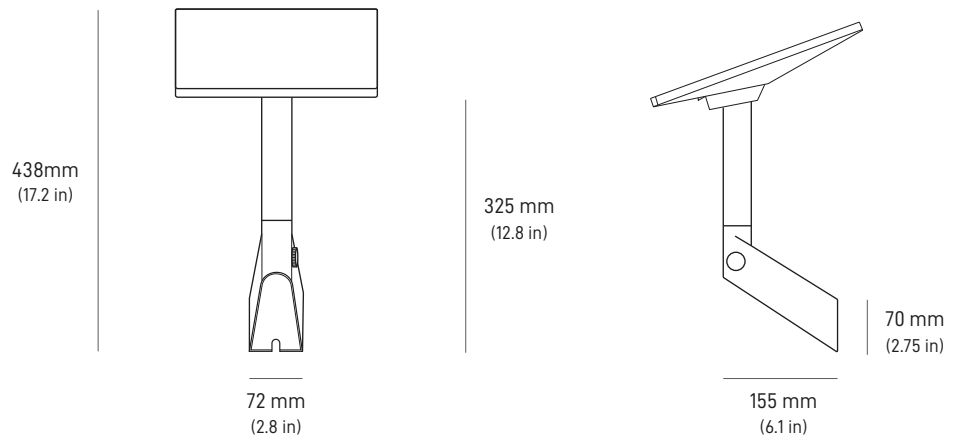
Drill, 6 mm (1/4 in) Drill Bit,
9/16 in Hex Socket, Marker, Level

Package Dimensions:

270 x 360 x 95 mm (10.6 x 14.2 x 3.7 in)

Package Weight:

1.5 kg (3.3 lbs)



The Starlink Mini Pivot Mount is perfect for installation on slanted, shingled roofs. Designed for ease of use and flexibility, the Pivot Mount swiveling mechanism enables effortless fine-tuning, adapting to various angles and directions, thus maximizing the performance of your Starlink.

Crafted from durable, weather-resistant materials, the mount ensures a sturdy and enduring foundation for your Starlink, capable of withstanding various environmental conditions. Its elongated design allows for greater flexibility in positioning, enabling easy alignment and adjustment to maximize signal reception.

The Pivot Mount is engineered for easy installation and is accompanied by all necessary hardware and user-friendly instructions, ensuring a hassle-free setup process.

Compatibility:

Starlink Mini

Kit Contents:

Pivot Mount, 2x Sealant Tape Squares,
2x Sealant Tape Strips, 2x Lag Screws,
20x Cable Routing Clips

Recommended Tools:

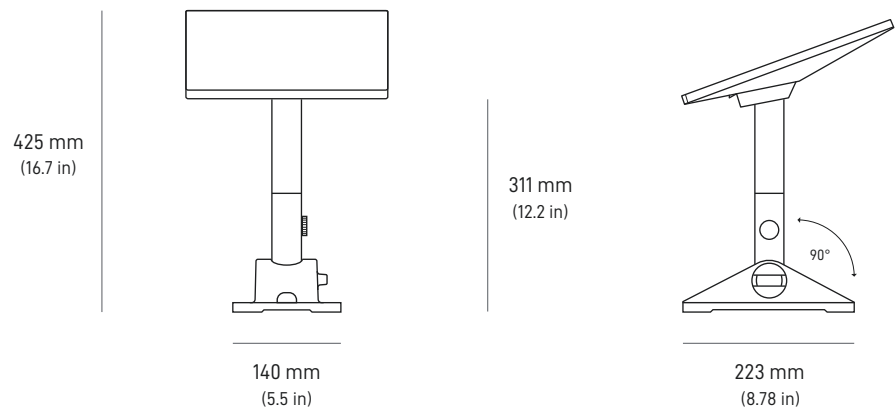
Drill, 6 mm (1/4 in) Drill Bit,
9/16 in Hex Socket, Marker, Level

Package Dimensions:

270 x 360 x 95 mm (10.6 x 14.2 x 3.7 in)

Package Weight:

1.8 kg (4.0 lbs)



The Mini Mobility Mount is designed to create a waterproof seal and protect against water ingress when permanently mounting to wood, fiberglass, metal, and plastic. The Mobility Mount features stainless steel fasteners, which are corrosion resistant to support harsh environments. This durable and versatile mount also supports a 9 degree mounting angle to maintain a signal during extreme and wet weather conditions.

Compatibility:

Starlink Mini

Kit Contents:

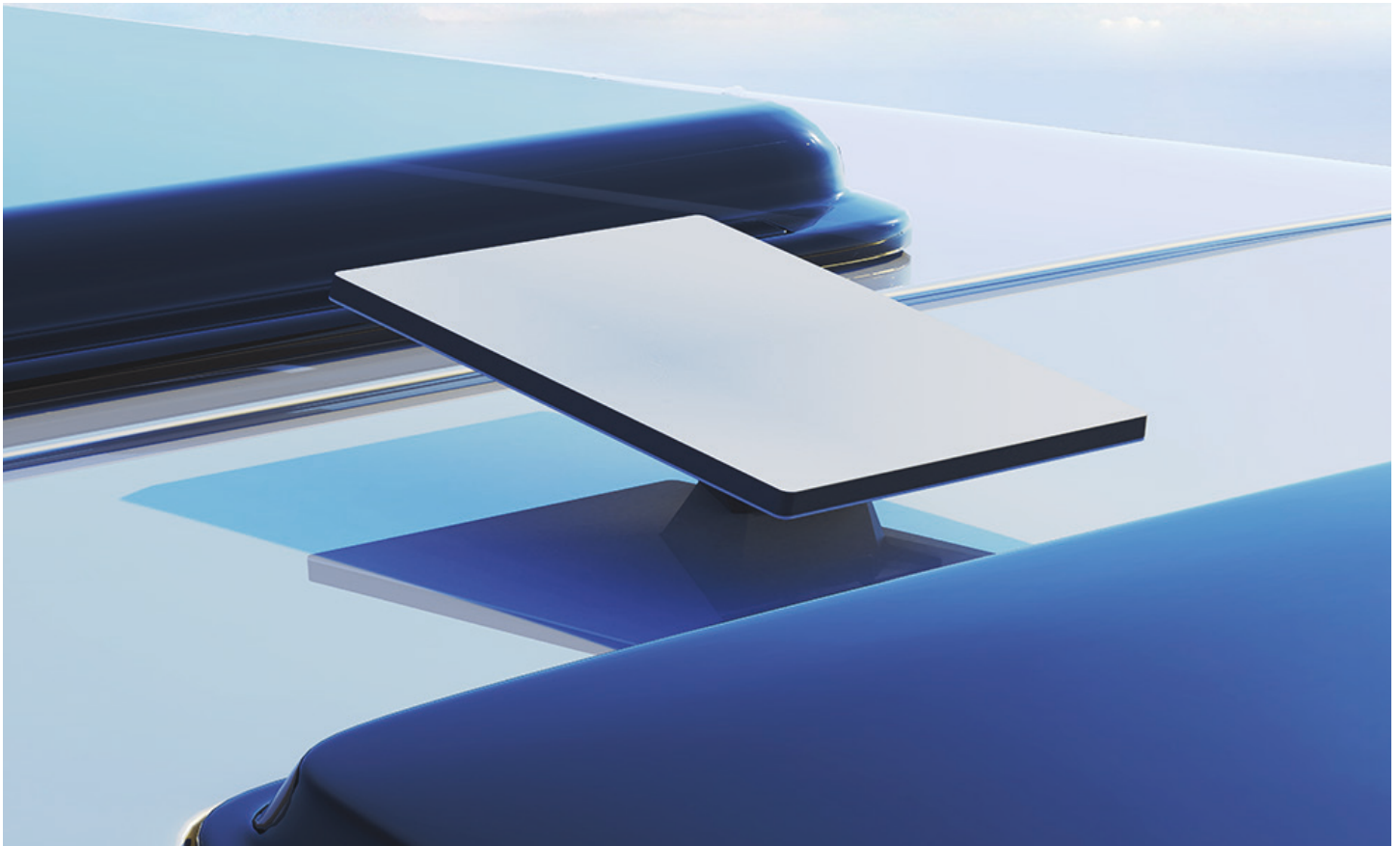
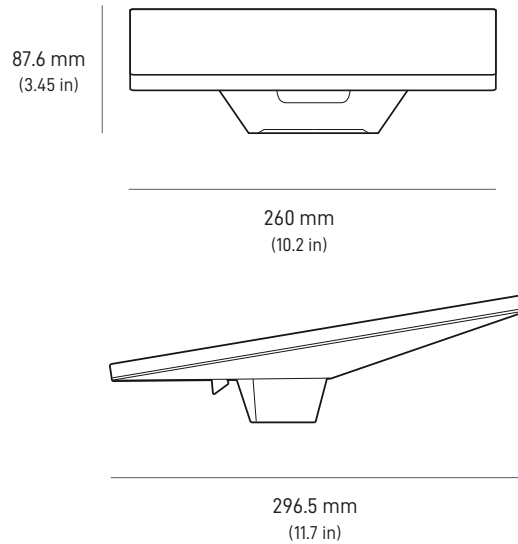
Mobility Mount, 2x 50 mm Bolts, 2x 30 mm Bolts 2x, 20 mm Bolts, 2x Nyloc Nuts, 2x Stainless Steel Washers, 2x Sealing Washers

Package Dimensions:

185.5 x 249.9 x 86 mm (7.3 x 9.8 x 3.4 in)

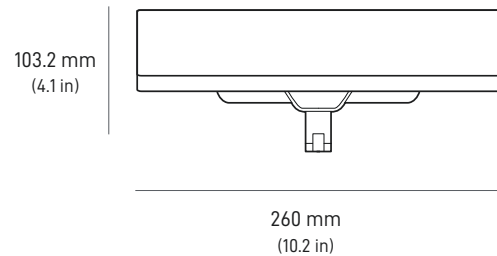
Package Weight:

0.6 kg (1.32 lbs)



The Mini Roof Rack Mount is designed to attach to varying vehicle roof racks, ranging in thickness from 12 mm (0.47 in) to 48 mm (1.9 in), with a maximum width of 88 mm (3.5 in). Use your Mini on-the-go, and easily remove your Mini from the Roof Rack Mount when not in use.

NOT INTENDED TO BE MOUNTED TO ROUND PROFILE BARS.

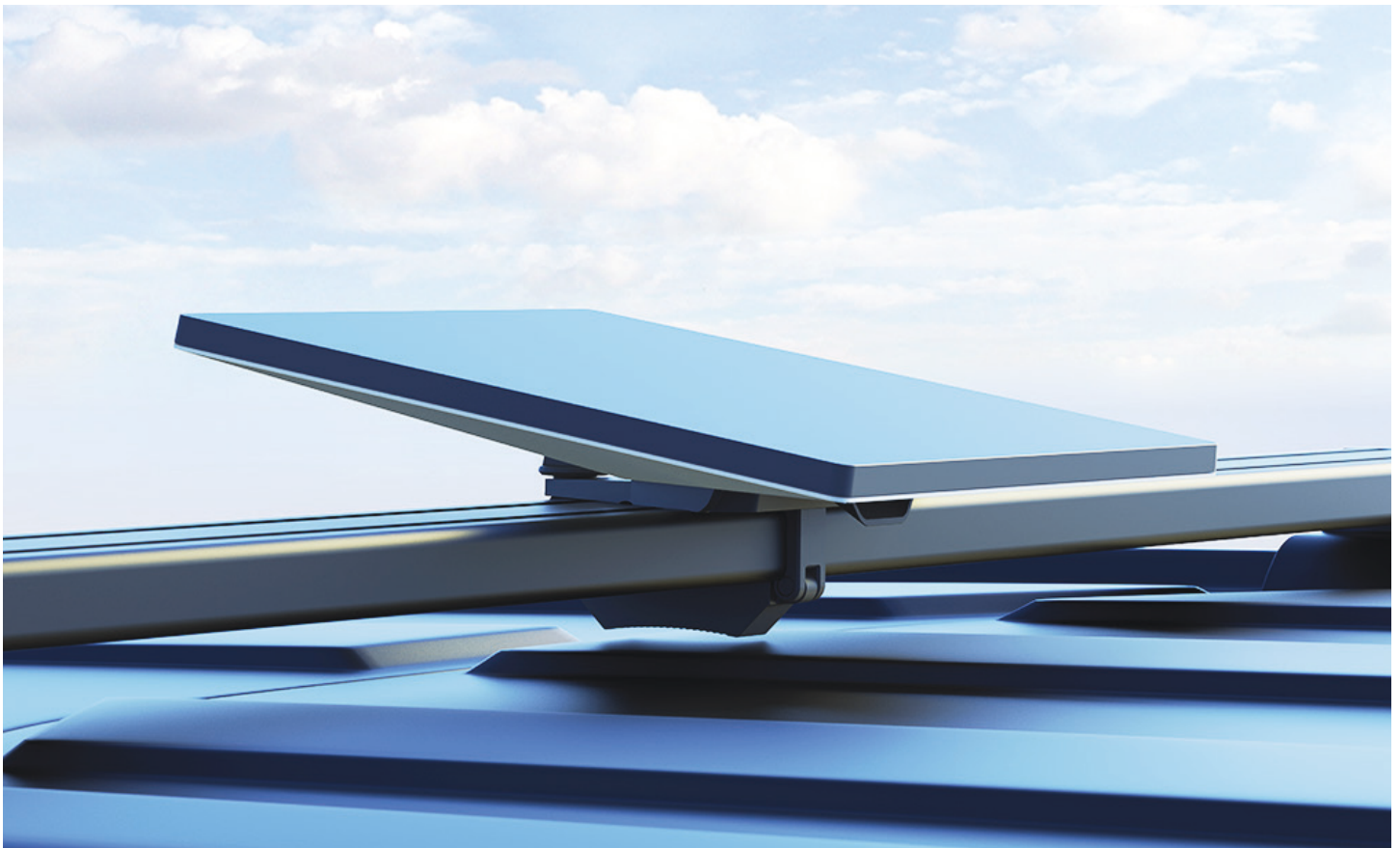
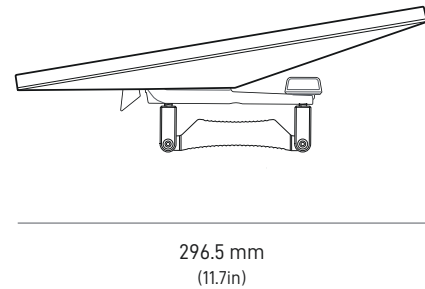


Compatibility:
Starlink Mini

Kit Contents:
Roof Rack Mount

Package Dimensions:
185.5 x 249.9 x 86 mm (7.3 x 9.8 x 3.4 in)

Package Weight:
0.6 kg (1.32 lbs)



The Mini Pipe Adapter is designed to replace the pipe adapter from the Mini Kit in case of damage or if you need an extra pipe mount outside of your permanent installation.

Compatibility:

Starlink Mini

Kit Contents:

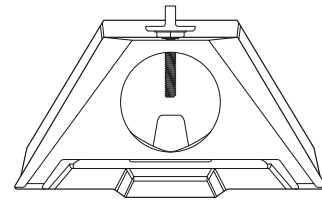
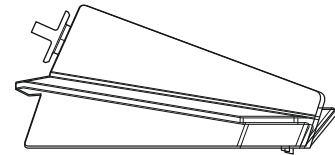
Mini Pipe Adapter

Package Dimensions:

206 x 118 x 62 mm (8.1 x 4.6 x 2.4 in)

Package Weight:

0.2 kg (0.44 lbs)

101.5 mm
(4 in)172 mm
(6.77in)44.7 mm
(1.76 in)

MINI DC POWER CABLE | 15 m (49.2 ft)

Designed to replace the Mini 15m DC Power Cable from the Starlink Mini Kit in case of damage to your cable or if an extra cable outside of your installation is needed.

Compatibility:

Starlink Mini

Cable Length:

15 m (49.2 ft)

Package Dimensions:

156 x 285 x 32 mm (6.1 x 11.2 x 1.3 in)

Package Weight:

0.5 kg (1.1 lbs)

**MINI DC POWER CABLE | 30 m (98.4 ft)**

Designed to replace the Mini 15m Power Cable from the Starlink Mini Kit when additional length is needed.

Compatibility:

Starlink Mini

Cable Length:

30 m (98.4 ft)

Package Dimensions:

200 x 182 x 81 mm (7.9 x 7.2 x 3.2 in)

Package Weight:

1.3 kg (2.9 lbs)



MINI STARLINK CABLE | 15 m (49.2 ft)

The 15 m (49.2 ft) Mini Starlink Ethernet Cable is designed to be used in the RJ45 connectors between the Starlink Mini and Starlink Gen 3 router or third party routers and devices to provide a waterproof seal and protect against water ingress.

Compatibility:

Starlink Mini, Gen 3 Router

Cable Length:

15 m (49.2 ft)

Package Dimensions:

135 x 50 x 360 mm (5.3 x 2 x 14.2 in)

Package Weight:

1 kg (2.2 lbs)



Mini USB-C Cable | 5 m (16.4 ft)

The Mini USB-C cable is designed to power your Starlink Mini on-the-go via USB-C, replacing the Mini 15m Power Cable from the Starlink Mini Kit. Requires a 100W (20V/5A) power source.

Note: This USB-C cable is specifically designed for powering your Starlink Mini and is not suitable for charging devices like cellphones.

Compatibility:

Starlink Mini

Cable Length:

5 m (16.4 ft)

Package Dimensions:

135 X 90 X 46 mm (5.3 x 3.5 x 1.8 in)

Package Weight:

0.3 kg (0.66 lbs)

