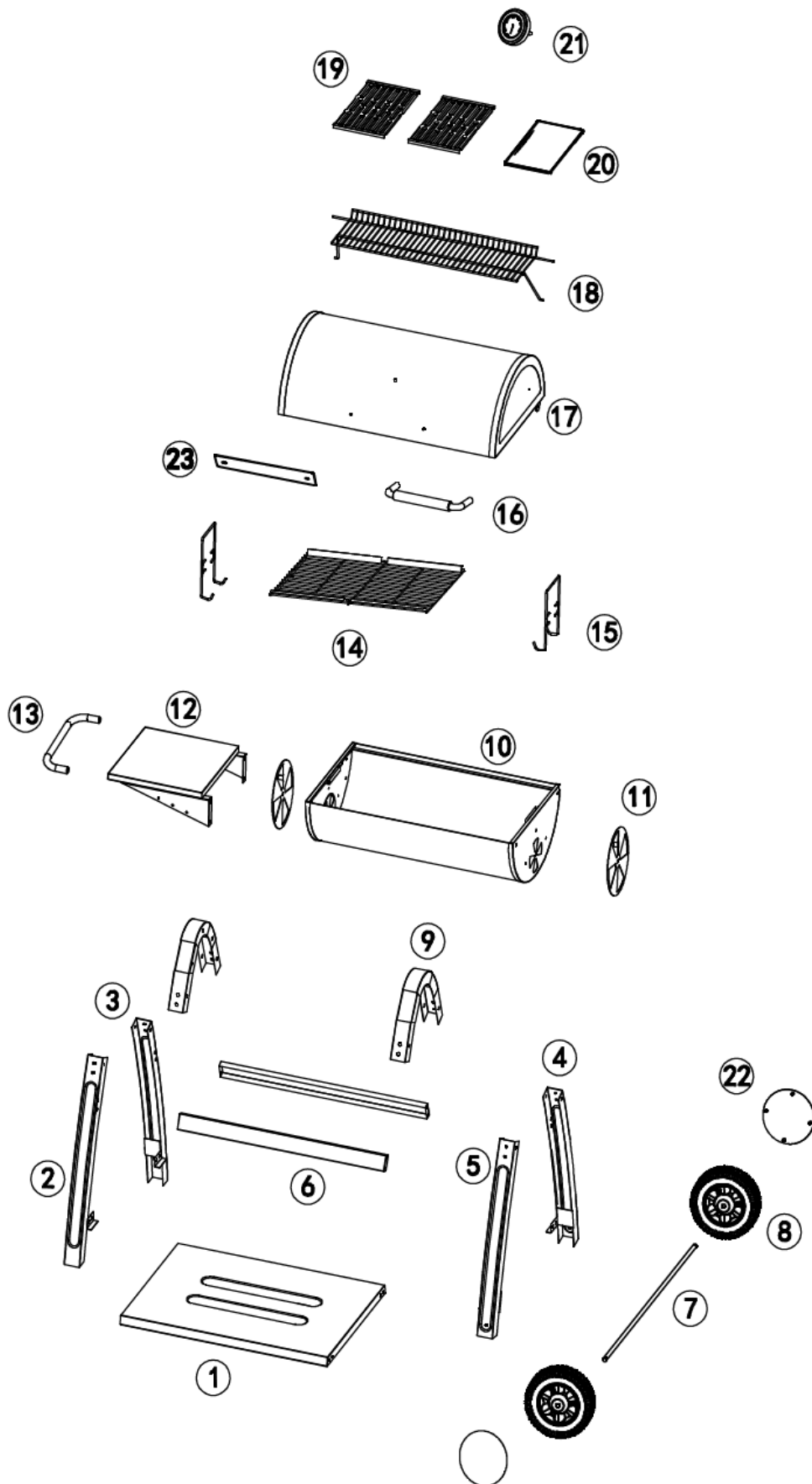














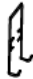






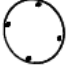










**50min**



① *1 	② *1 (LF) 	③ *1 (LB) 
④ *1 (RB) 	⑤ *1 (RF) 	⑥ *2 
⑦ *1 	⑧ *2 	⑨ *2 
⑩ *1 	⑪ *2 	⑫ *1 
⑬ *1 	⑭ *1 	⑮ *2 
⑯ *1 	⑰ *1 	⑱ *1 
⑲ *2 	⑳ *1 	㉑ *1 
㉒ *2 	㉓ *1 	
A M6-14*48 	B $\phi 1.2$ *21*2 	C *2 
D M6*2 	E M6*2 	F $\phi 1.5$ *28*2 
G $\phi 6$ *2 		

### 1

A		8PCS
---	--	------

### 2

A		16PCS
---	--	-------

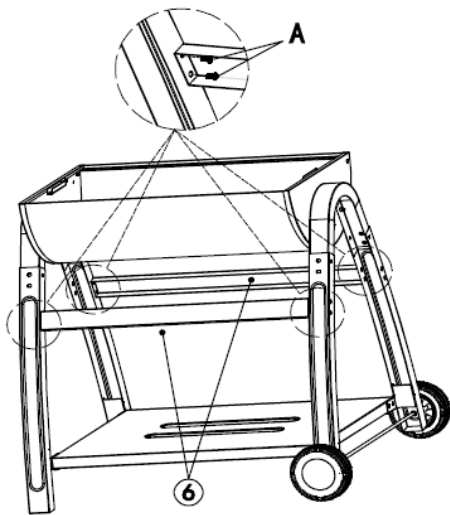
### 3

F		2PCS	C		2PCS
---	--	------	---	--	------

### 4

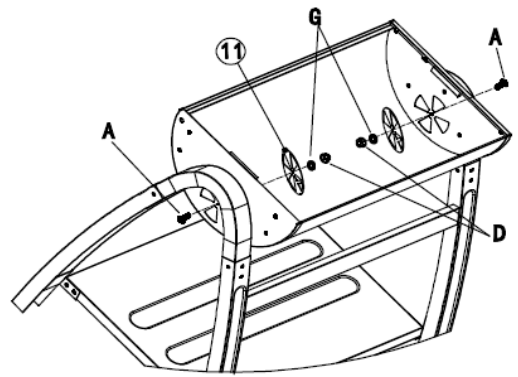
A		6PCS
---	--	------

**5**



A		8PCS
---	--	------

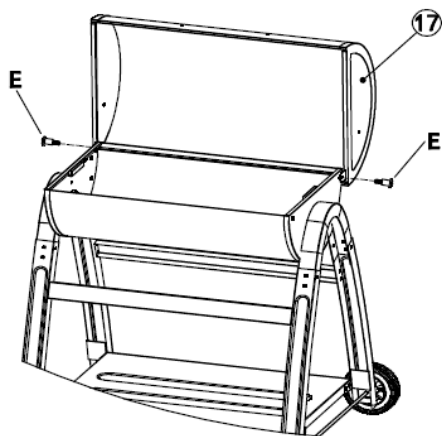
**6**



D		2PCS
A		2PCS

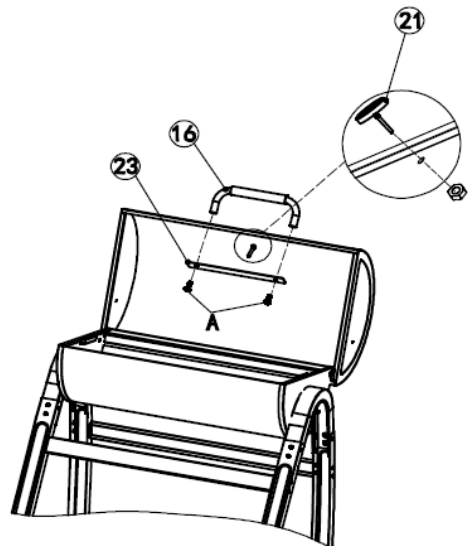
G		2PCS
---	--	------

**7**



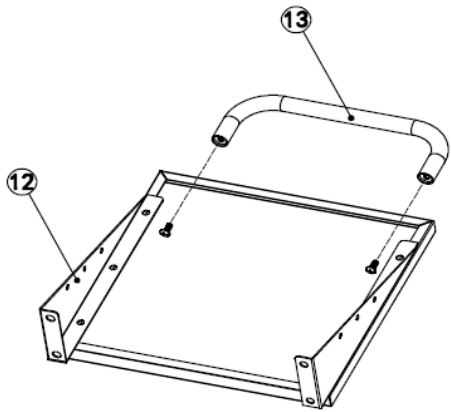
E		2PCS
---	--	------

**8**



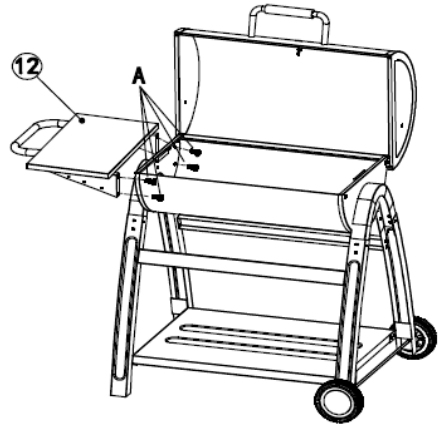
A		2PCS
---	--	------

9



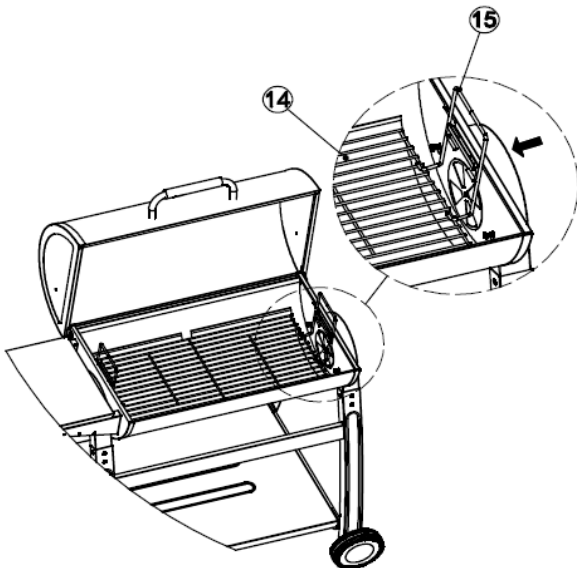
A  2PCS

10

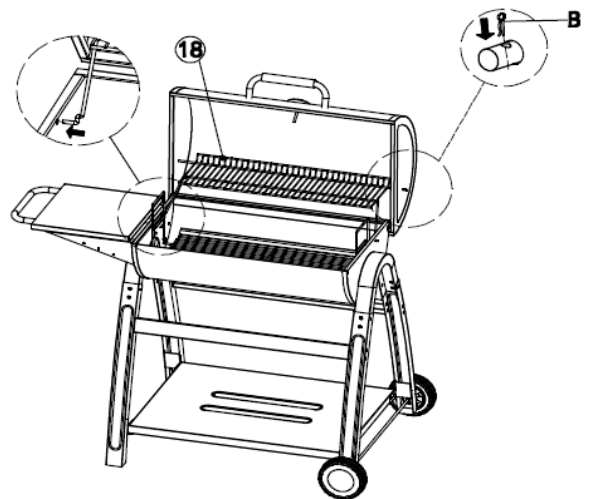


A  4PCS

11



12



B  2PCS

