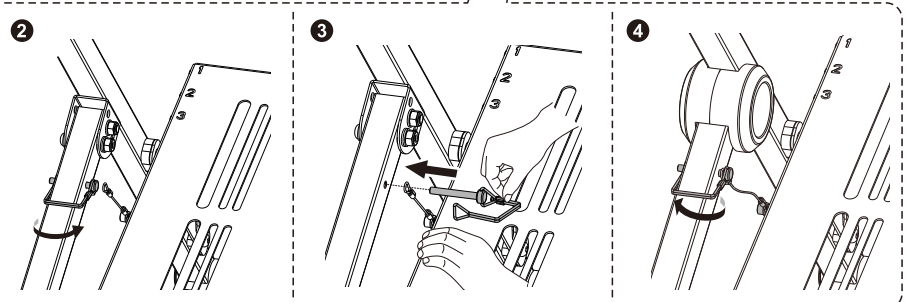
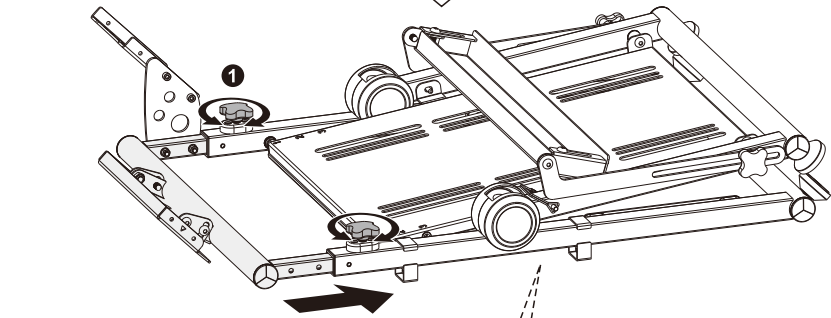
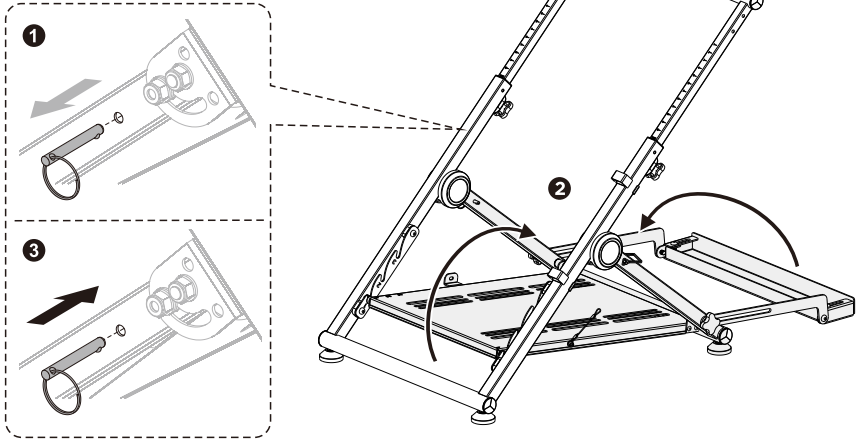


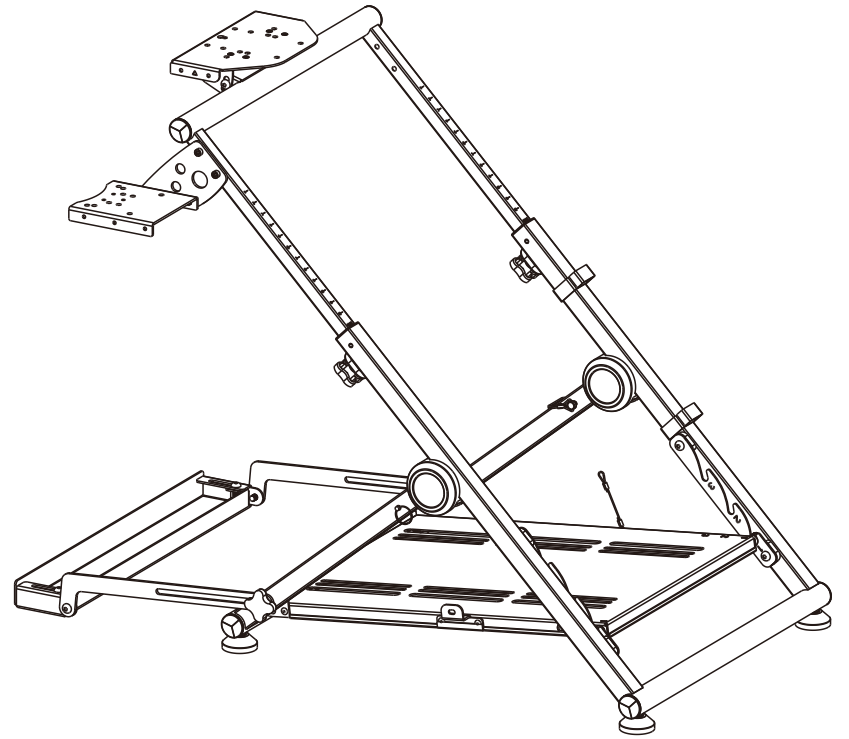
11. Fold the Stand



CAUTION: To ensure safety, lock the Pedal Mount in place using the Safety Pin prior to folding the stand.



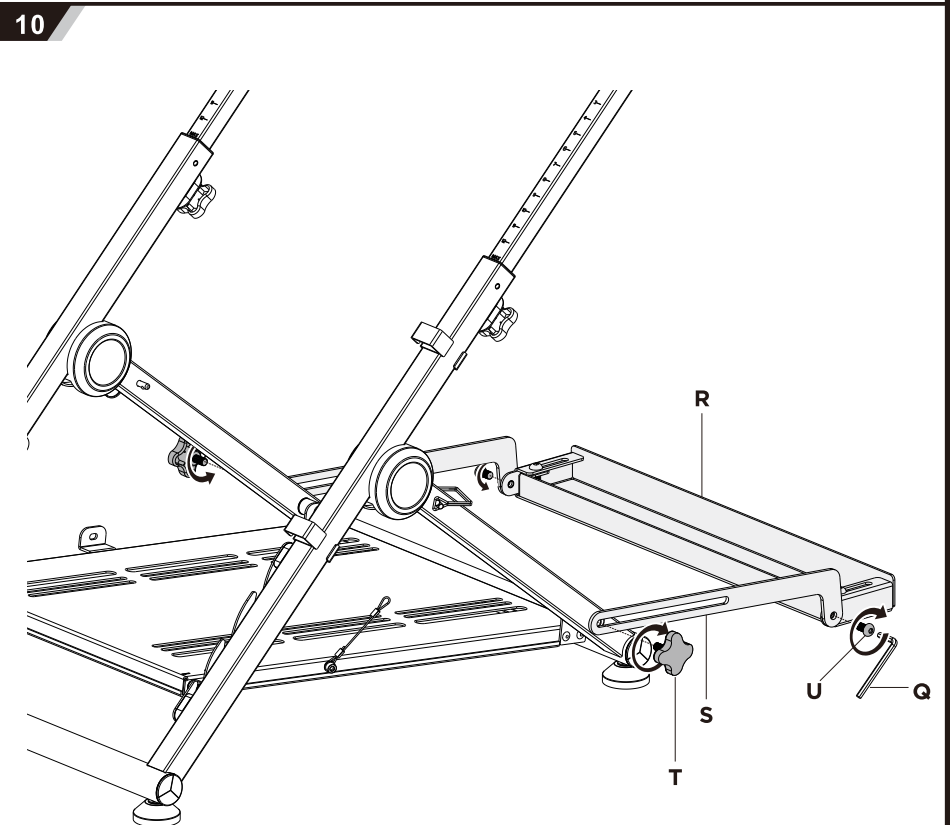
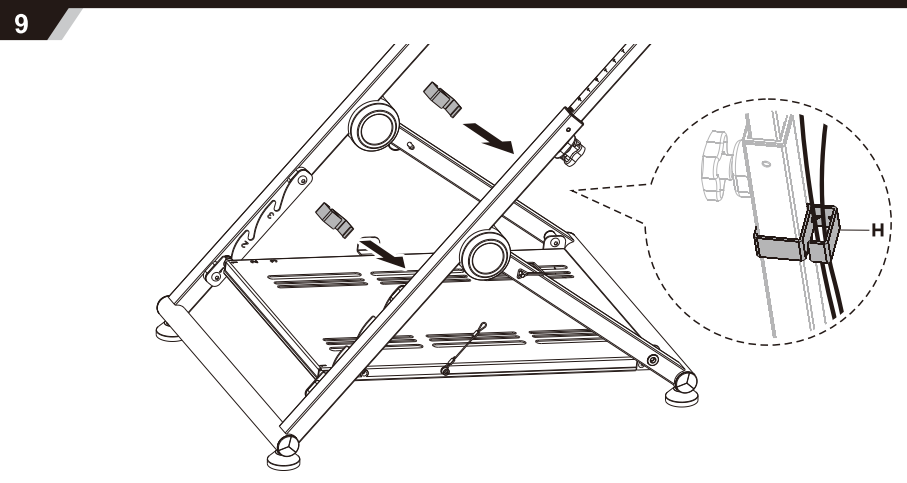
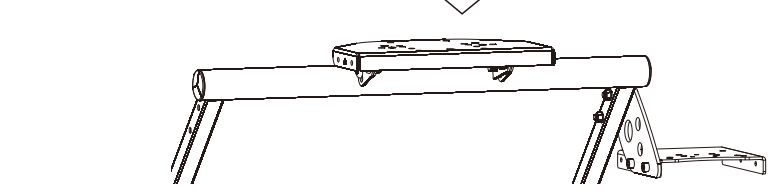
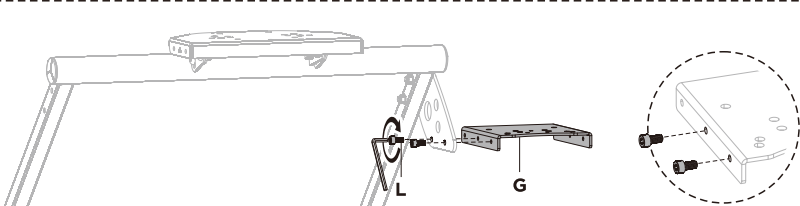
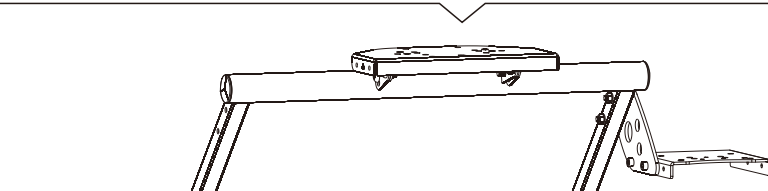
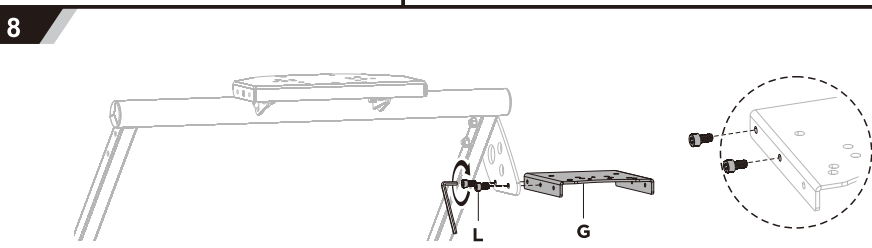
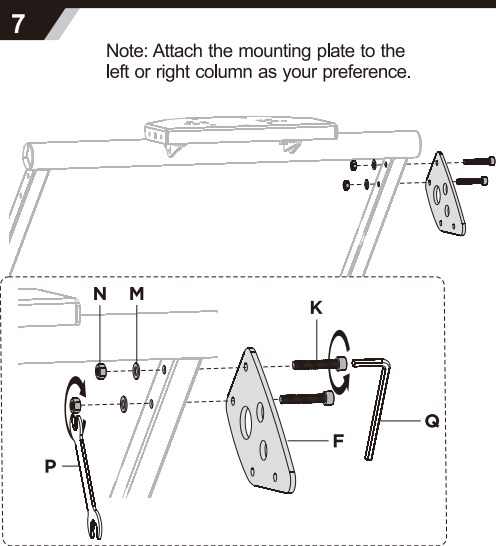
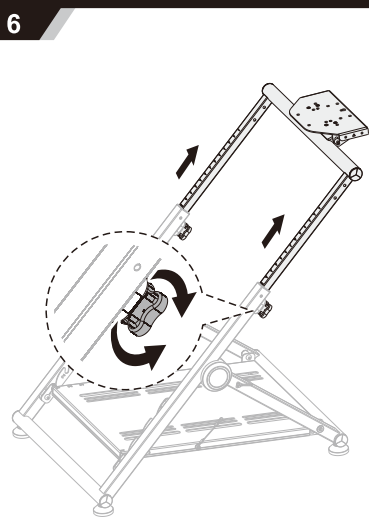
WHEEL STAND GT PRO

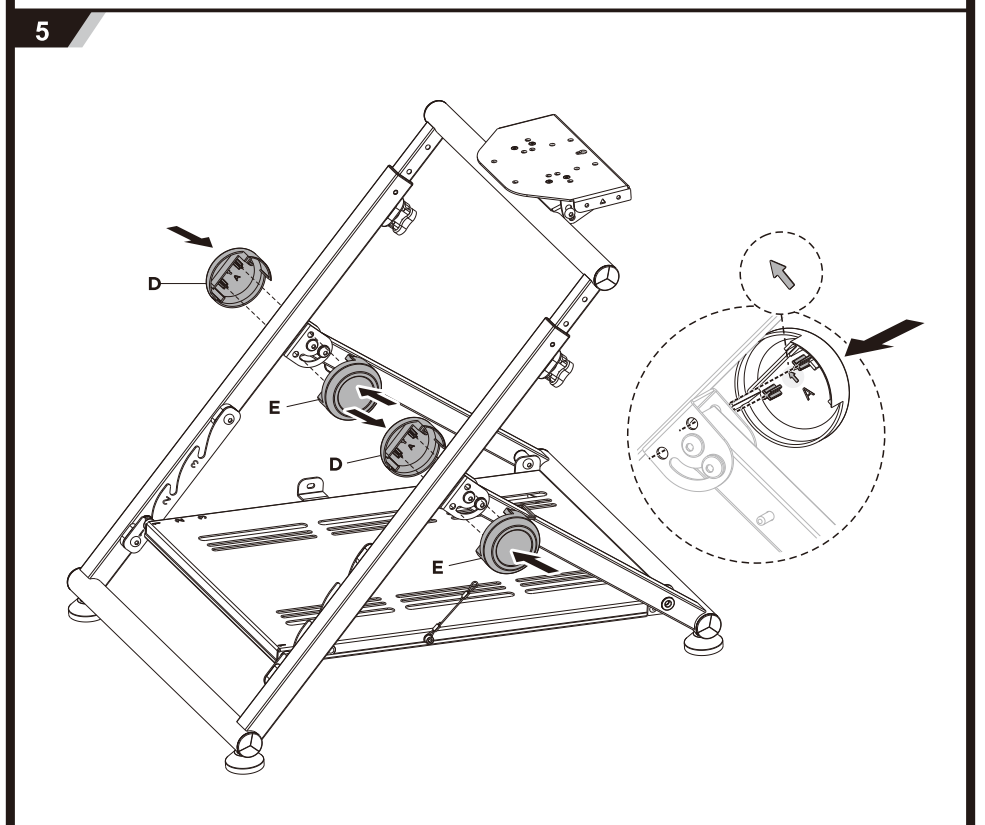
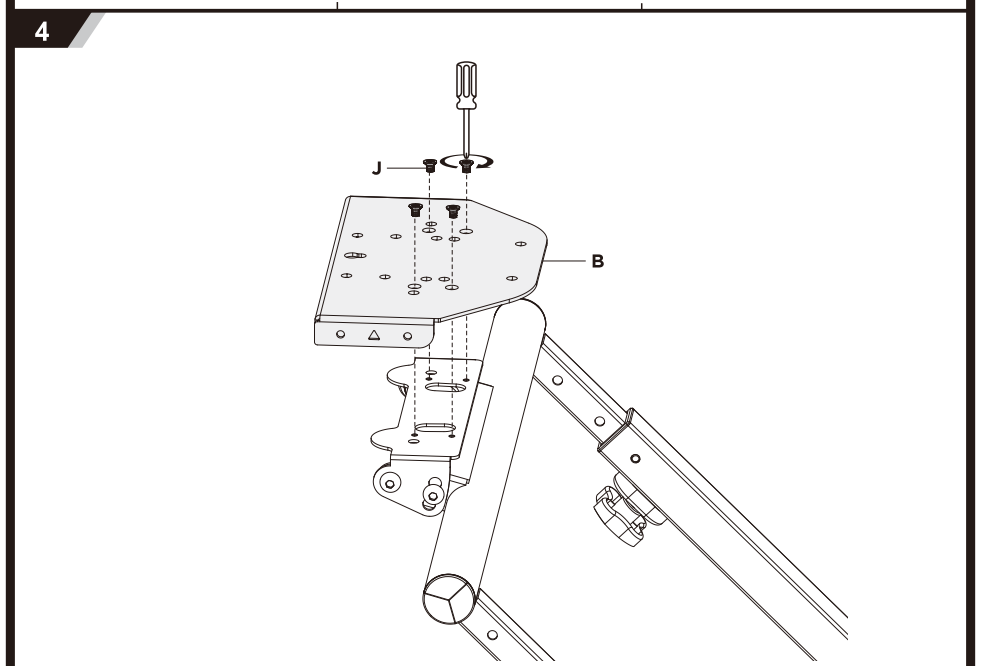
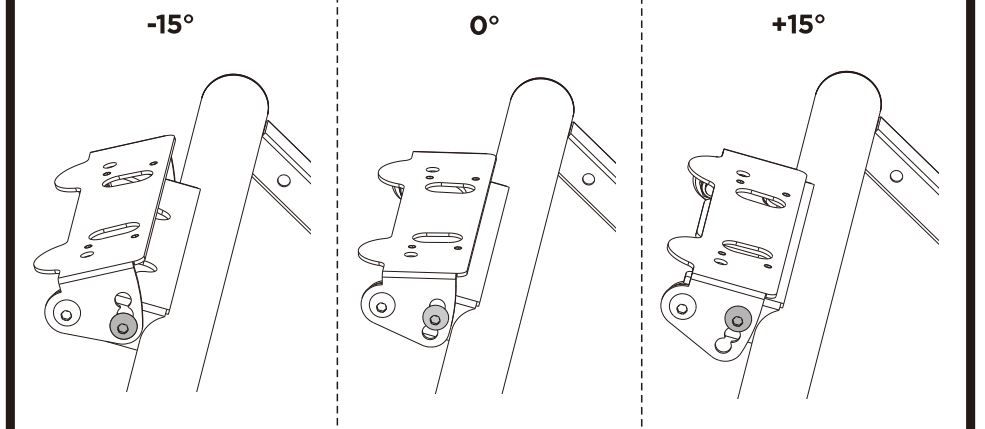
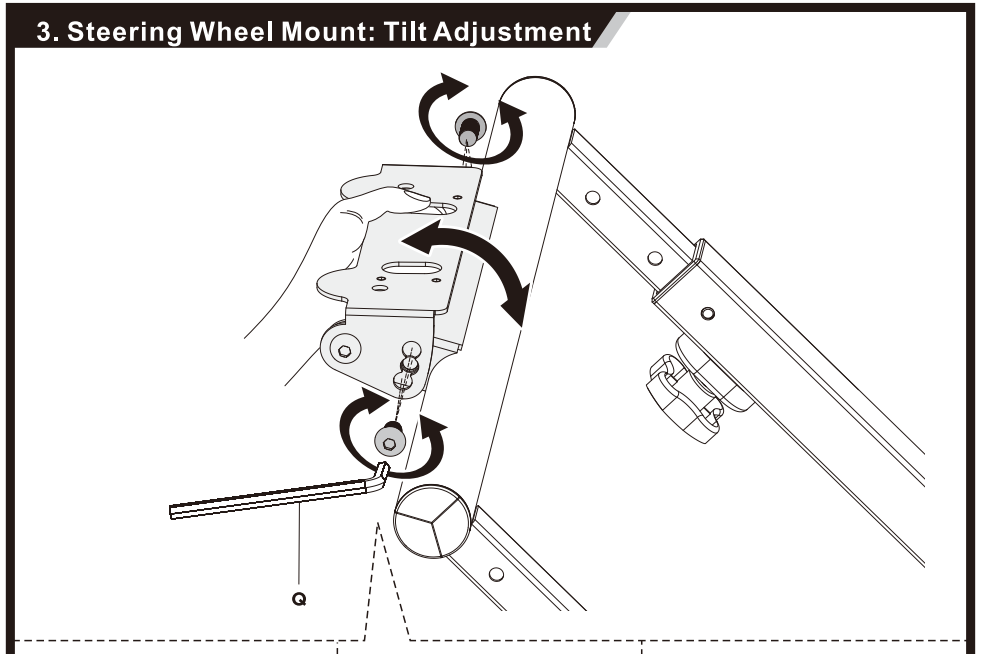
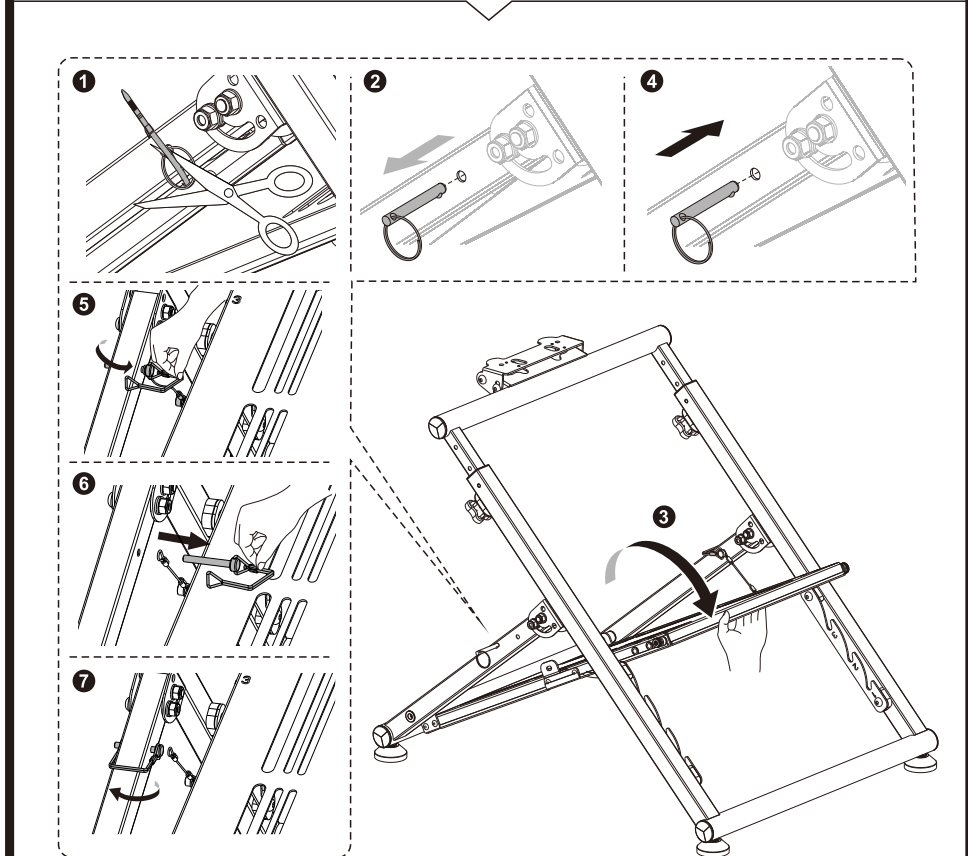
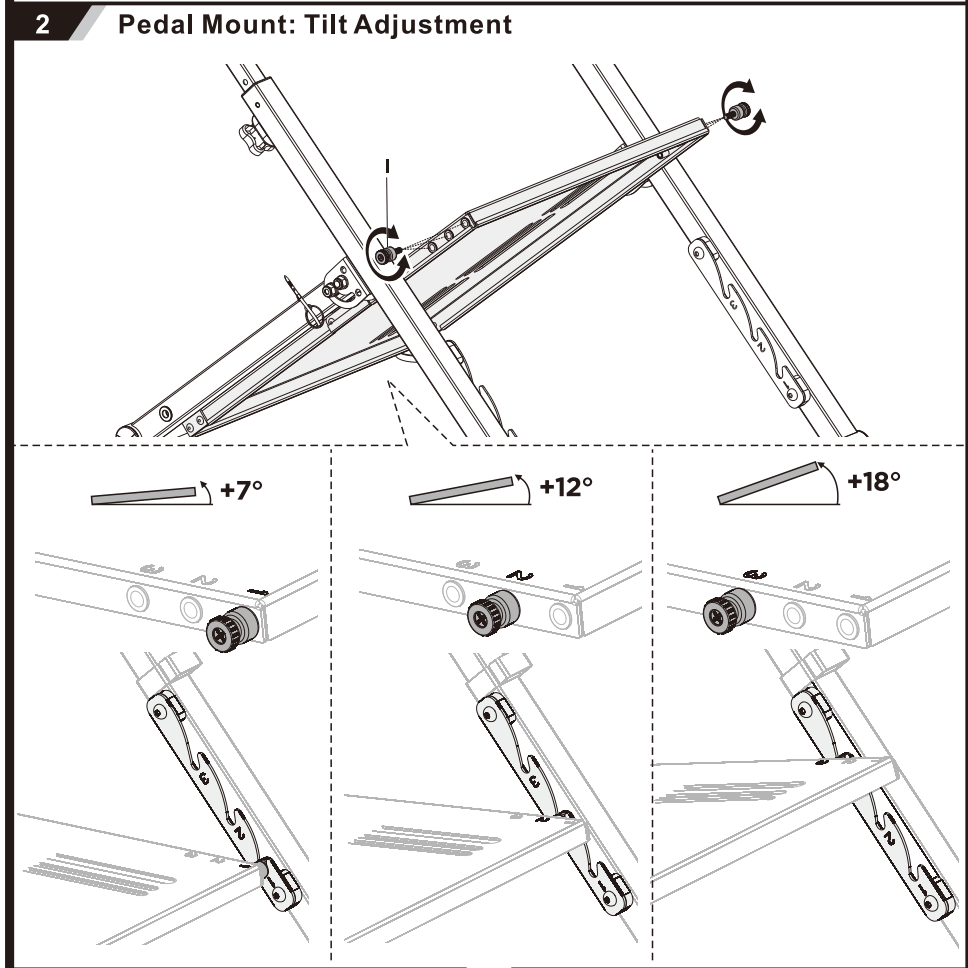
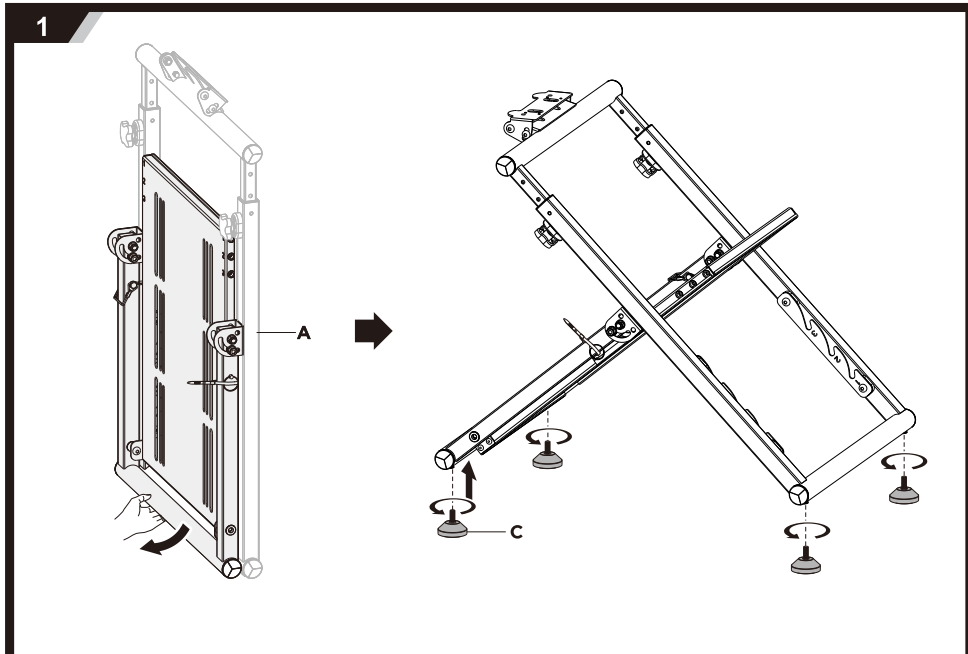
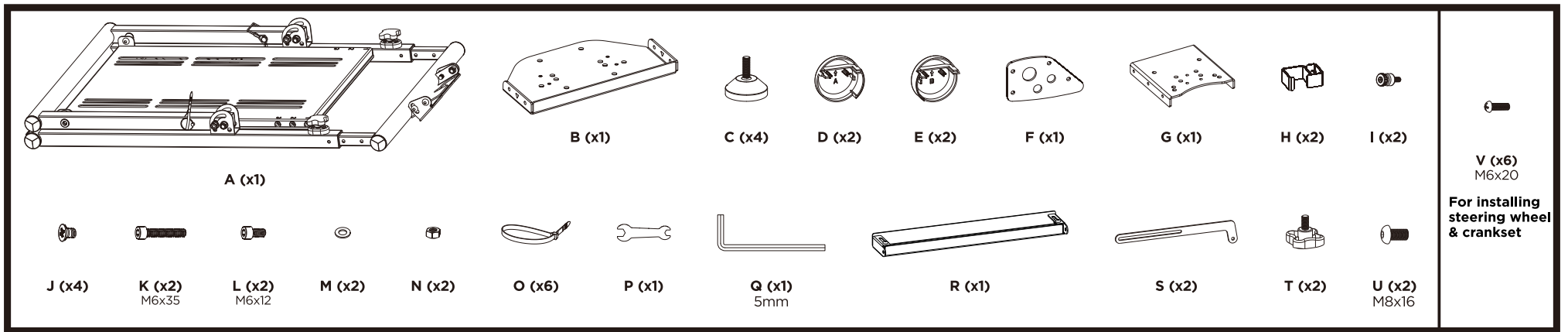


OP-WS-GTPRO



V1





Warning: Firmly hold the pedal mounting plate while cutting off the cable tie and removing the latches, then slowly lower the pedal mounting plate to your desired height.