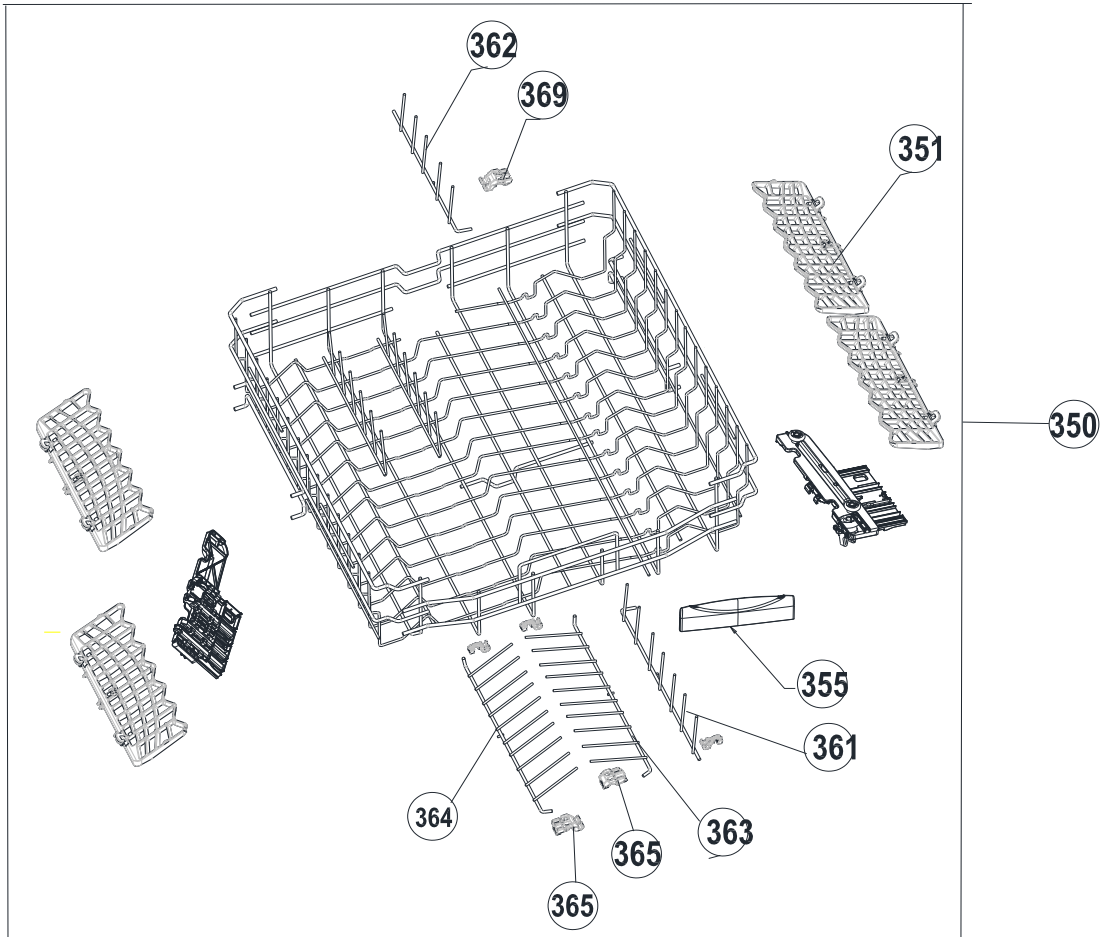
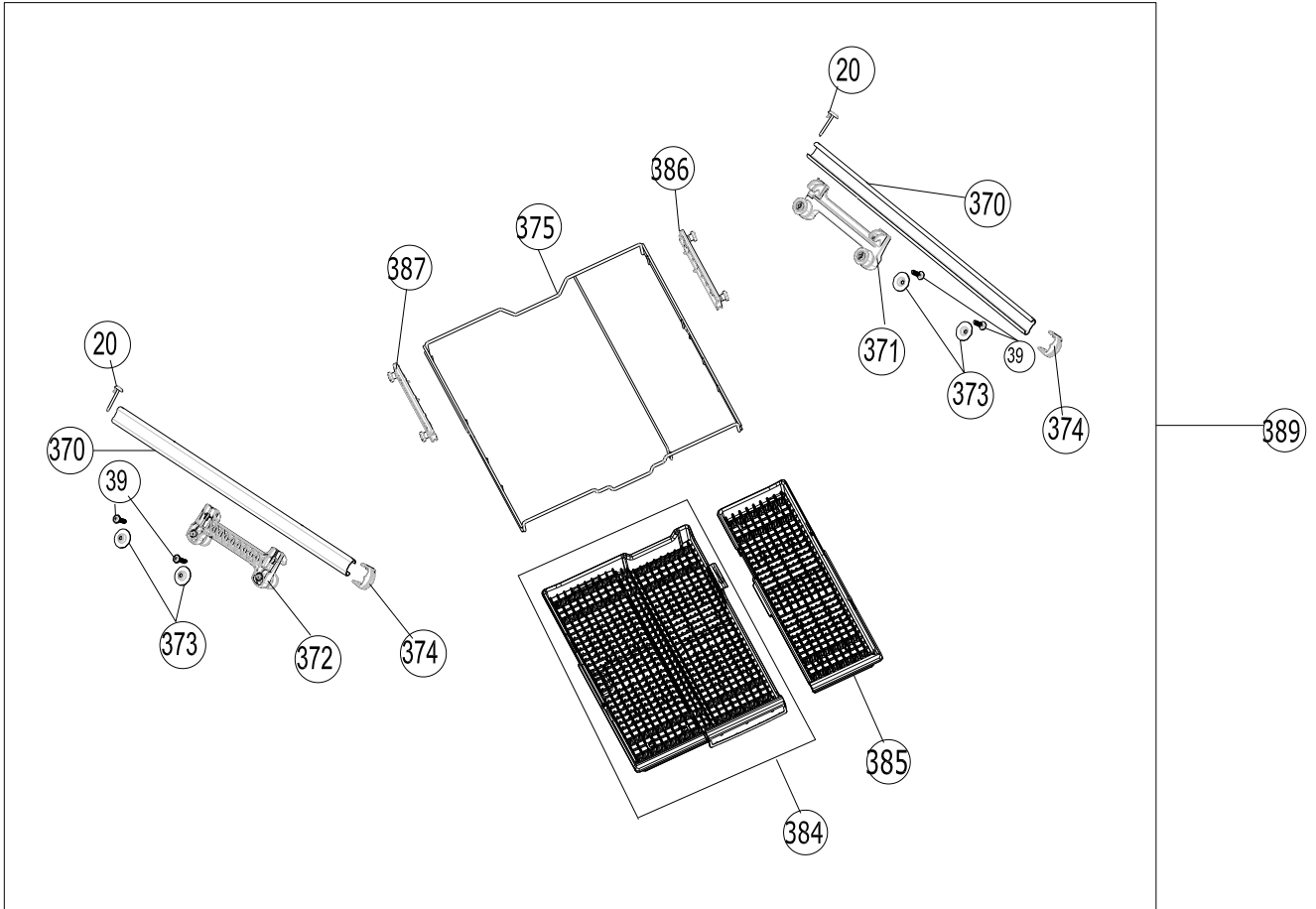


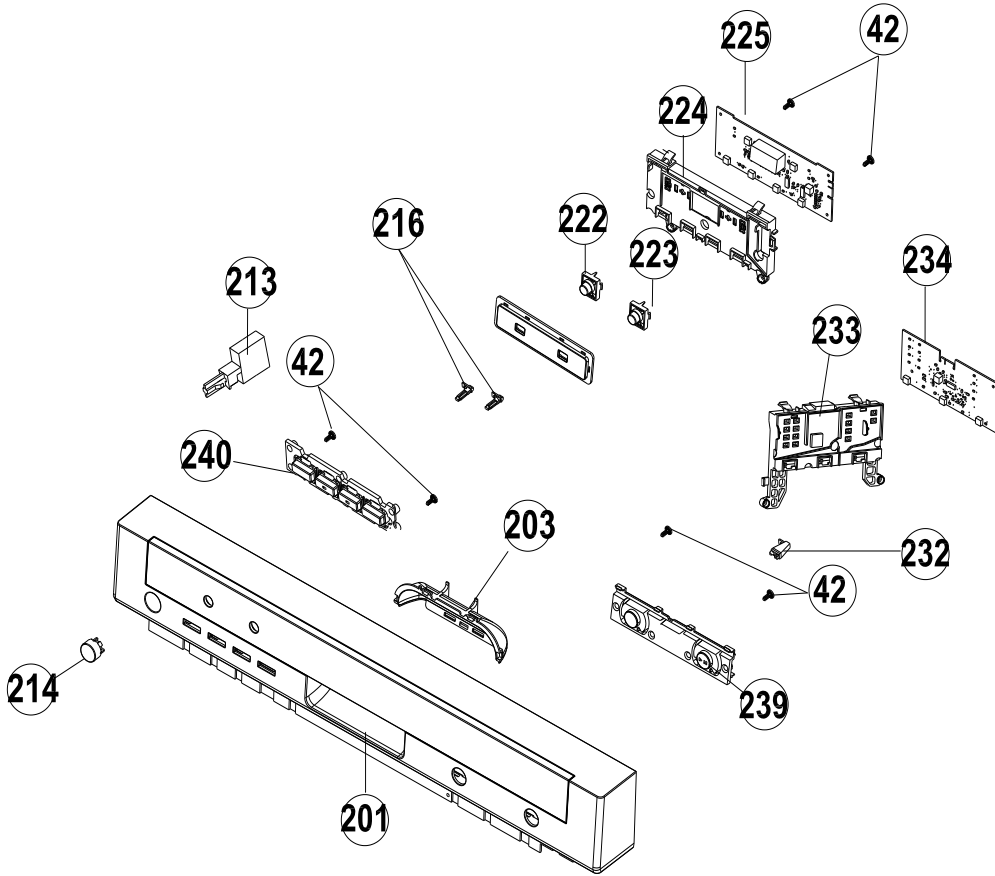
NO	PART NAME	SPARE PART
300	LOWER BASKET GR-IWITH PLS HND/INOX/15 (301-302-303-304-307-309-314-315-316-317-318)	37018293
301	LOWER BASKET WHEEL GR-RAL 7046	42052035
316	FOLDDOWN COMB-RIGHT-BACK-R7452/15K	37012906
309	FOLDDOWN COMB-RIGHT-FRNT-R7452/15K	37012907
317	FOLDDOWN COMB-PER-RIGHT-VERTICAL-R7452/15K	37012908
318	FOLDDOWN COMB-PER-LEFT-VERTICAL-R7452/15K	37012909
304	FOLDING SPIKES MECHANISM-LEFT RAL 7046	42021077
303	FOLDING SPIKES MECHANISM-RIGHT RAL 7046	42021904
314	PER FOLDING SPIKES MECH-LEFT RAL 7046	42046132
315	PER FOLDING SPIKES MECH-RIGHT RAL 7046	42046133
302	FOLDABLE COMBS HOLDER PLS-RAL 7046	42021078
307	LOWER BASKET HANDLE-2- PATTERN	42067774
360	UNIVERSAL CUTLERY GR-7046	42091579



NO	PART NAME
350	UPPER BASKET GR
352	UPPER BASKET WHEEL GR.
355	UPPER BASKET HANDLE
361	FOLDING SPIKES-1A
362	FOLDING SPIKES-1B
363	FOLDING SPIKES-2A
364	FOLDING SPIKES-2B
365	FOLDING SPIKES MECHANISM-1
366	FOLDING SPIKES MECHANISM-2
379	FOLDING SPIKES HOLDER PLS



NO	PART NAME
20	UPPER BASKET STOPPER-REAR
39	SCREW PT5X20 TORX WITH RONDELA
384	3.BASKET LARGE BASKET SHELF GR-PATTERN
385	3.BASKET SMALL BASKET SHELF
386	3.BASKET WHEEL HOLDER GR-RIGHT
387	3.BASKET WHEEL HOLDER GR-LEFT
389	3B GR-PLASTIC
370	3.BASKET RAIL(40,4*0,8)
371	3.BASKET BRACKET GR-RIGHT
372	3.BASKET BRACKET GR-LEFT
373	3.BASKET BRACKET WASHER
374	3.BASKET RAIL LOCK-FRONT
375	3.BASKET FRAMEWORK WIRE APPARATUS-R7452



NO	PART NAME
200	CONTROL .PAN.GR
201	CON.PAN.SRGF
203	HANDLE
239	PROGRAM BUTTON GR
240	OPSION BUTTON GR
223	DISPLAY BUTTON /+
222	DISPLAY BUTTON/ -
216	BUTTON SHAFT (OPTION)
232	BUTTON SHAFTI (START/PAUSE)
233	PCB BOX-1
224	DISPLAY KUTUSU /CLAROS
42	SCREW PT3,5X9YSB(F.LI VE T.LI)
234	DISPLAY CARD U14
213	ON/OFF SWITCH
225	DISPLAY CARD U32
237	U1X DISPLAY CABLE
238	U2X U3X DISPLAY CABLE

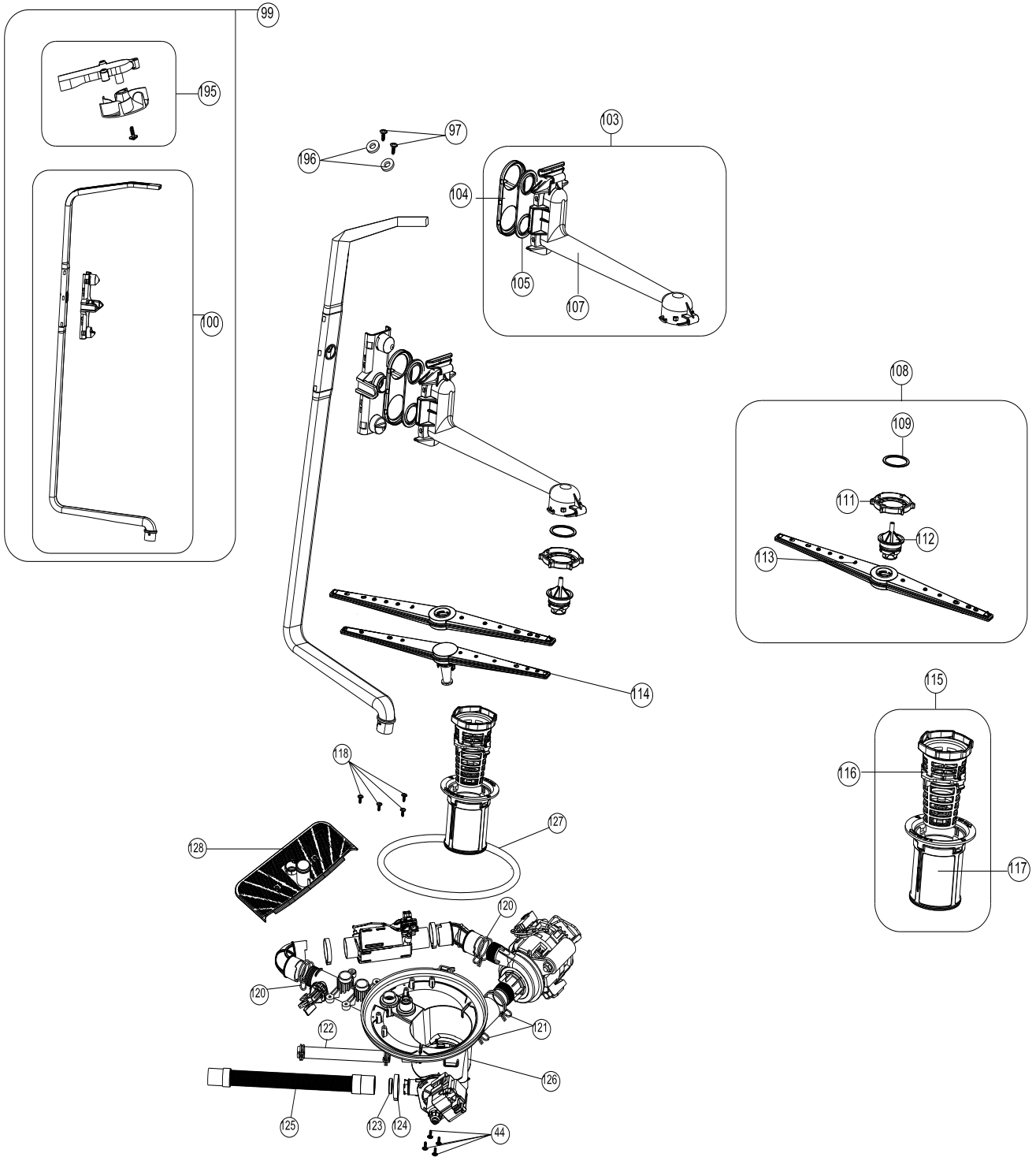
# VESTEL

WHITE GOODS

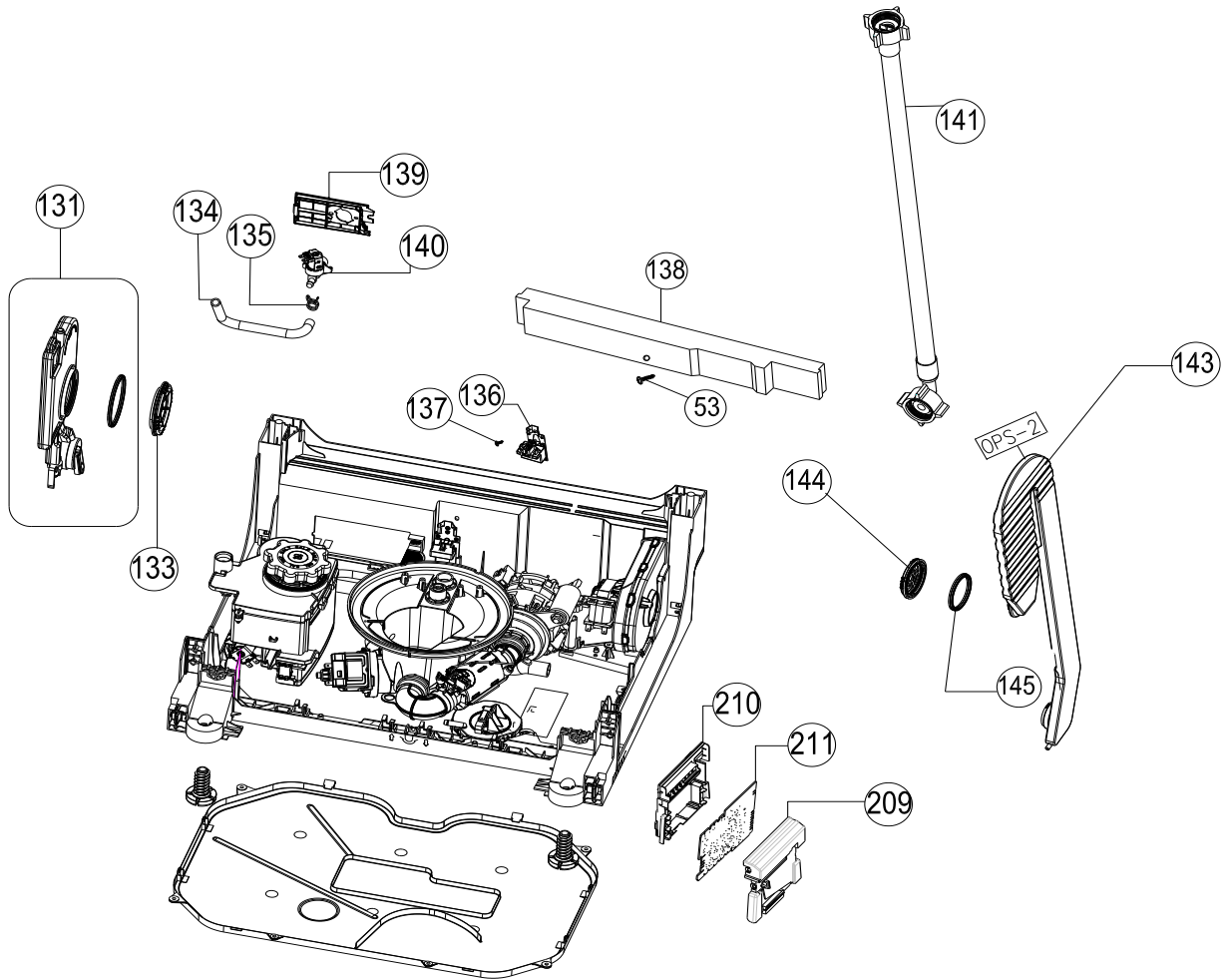
## VESTEL DISWASHER MACH .

### UPPER HDYROLIC GROUP

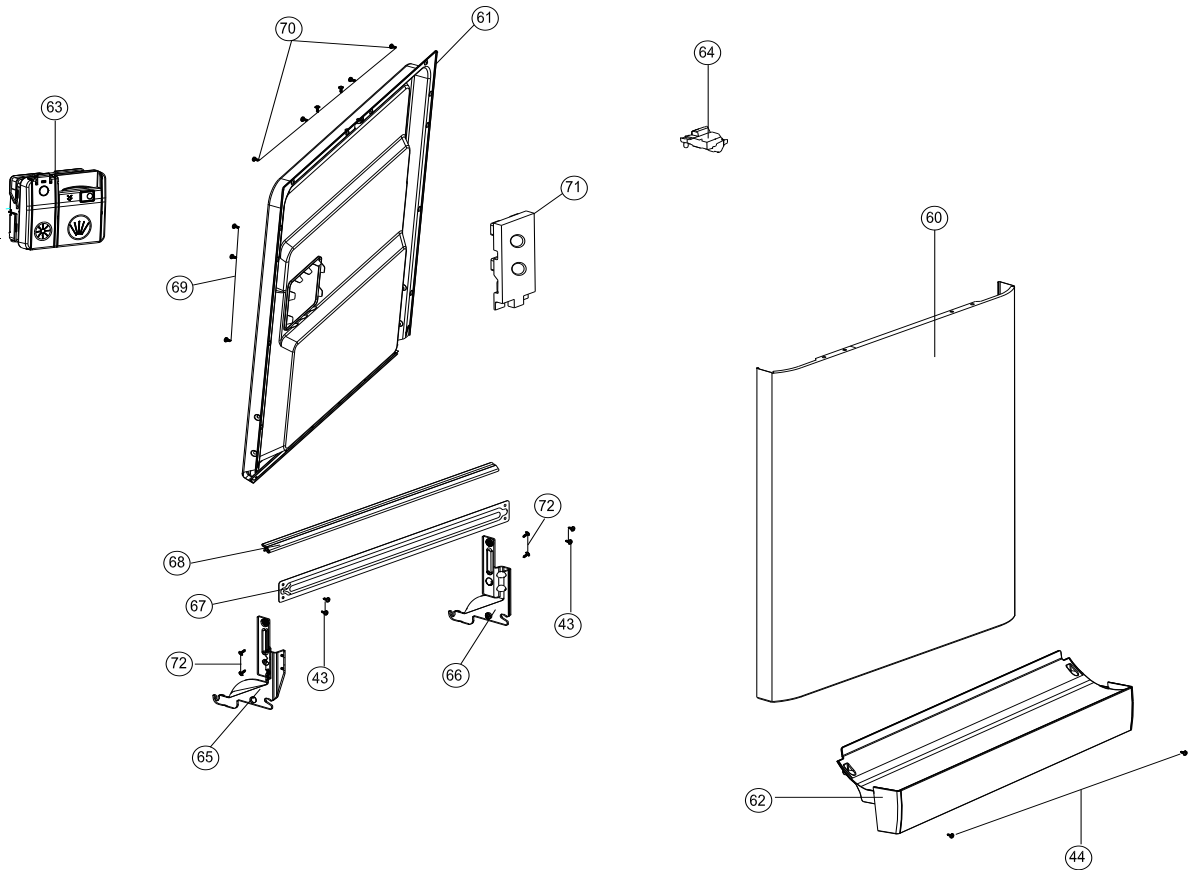
## CUSTOMER SUPPORT



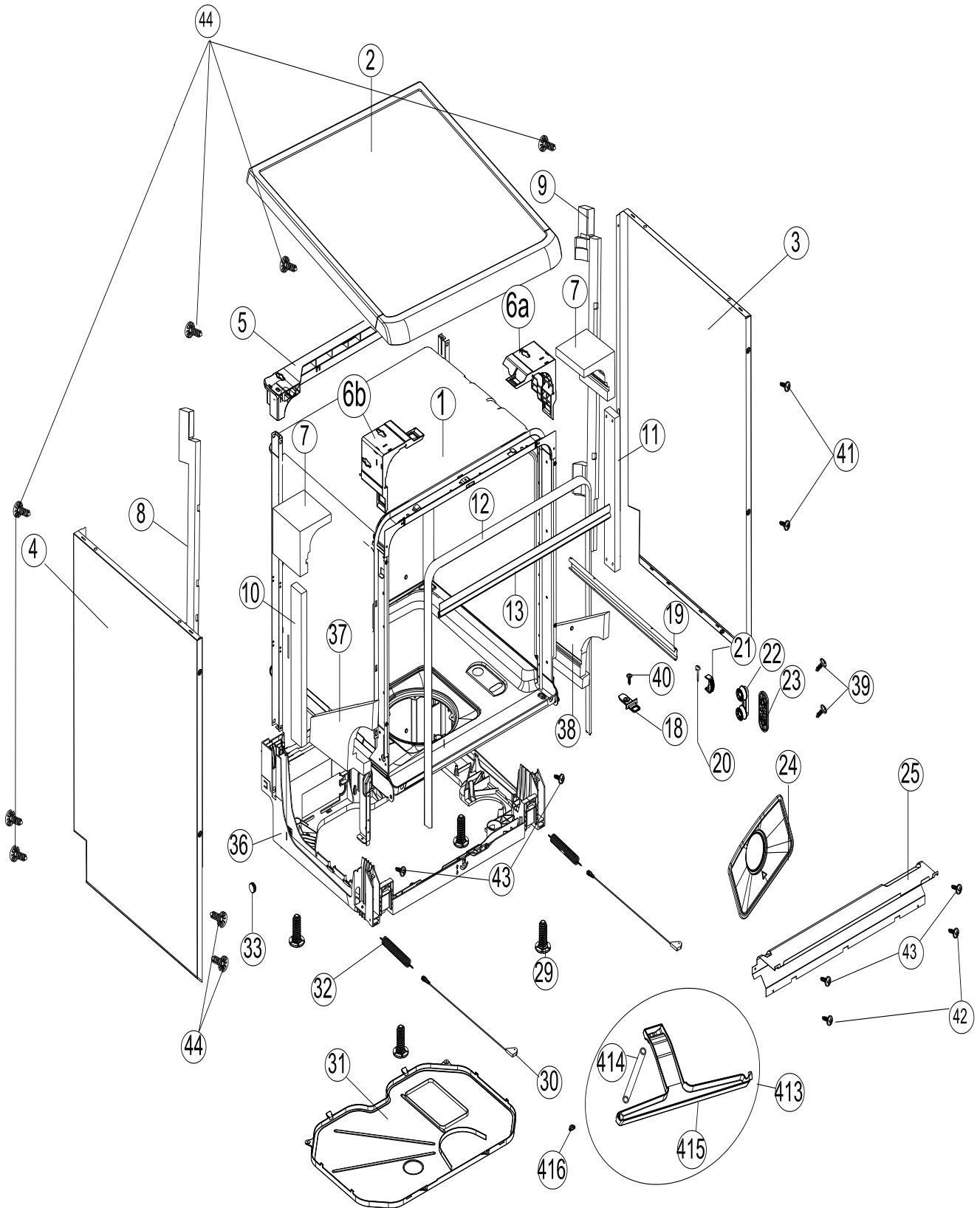
NO	PART NAME
99	UPPER SPRAYARM FEEDING CAN-C-1 GR/PROPEL
100	UPPER SPRAYARM FEEDING CAN-C-1 GR
<b>103</b>	<b>UPPER SPRAY ARM SUPPORT GR-RAL 7046 ( 104-105-106-107 )</b>
104	UPPER SPRAY ARM ADAPTER COVER-RAL 7046
105	UPPER SPRAY ARM ADAPTER GASKET
107	UPPER SPRAY ARM SUPPORT-RAL 7046
<b>108</b>	<b>UPPER SPRAY ARM GR-RAL 7046 (113-112-111-110-109)</b>
109	UPPER SPRAY ARM NUT PLS D28XT1,2
111	UPPER SPRAY ARM NUT-RAL 7046
112	UPPER SPRAY ARM SHAFT-RAL 7046
113	UPPER SPRAY ARM-RAL 7046
114	LOWER SPRAY ARM-RAL 7046
<b>115</b>	<b>MICROFILTER GR-SHEET/RAL 7046 ( 316-317 )</b>
116	COURSE FILTER-RAL 7046
117	MICROFILTER-SHEET/RAL 7046
118	SCREW PT4X12 YSB INOX
120	CLAMP Dmax36,4X14
121	CLAMP Dmax41X14,8
122	HOSE D33X3
123	KLAPE
124	CLAMP Dmax29,4X11,4)
125	DRAIN HOSE 200 CM
126	SUMP
127	SUMP SEAL
128	SPRAY ARM SUPPORT
195	IMPELLER GR
196	TOP TUB RUBBER
97	SCREW PT4x8 YSB (F.LI)
44	SCREW PT4X12YSB



NO	PART NAME
131	AIR BREAK GROUP
133	AIR BREAK NUT
134	HOSE D10*3*230
135	CLAMP Dmax16,8x8,4
136	PARASITE FILTE
137	SCREW PT3X9 YSB
138	CONCRETE WEIGHT
139	BASEMENT HOSE.CON.PLS.
140	WATER INLET VALVE
141	WATER INLET VALVE HOSE
143	STEAM CONDERSER (PLEASE ORDER THE SPARE PART WHICH IS USED IN YOUR MACHINE)
144	STEAM CONDERSER NUT
145	STEAM CONDERSER SEALING NUT
209	PCB BOX
210	PCB BOX COVER
211	ELECT. CARD
53	SCREW 4X42,5 YHB

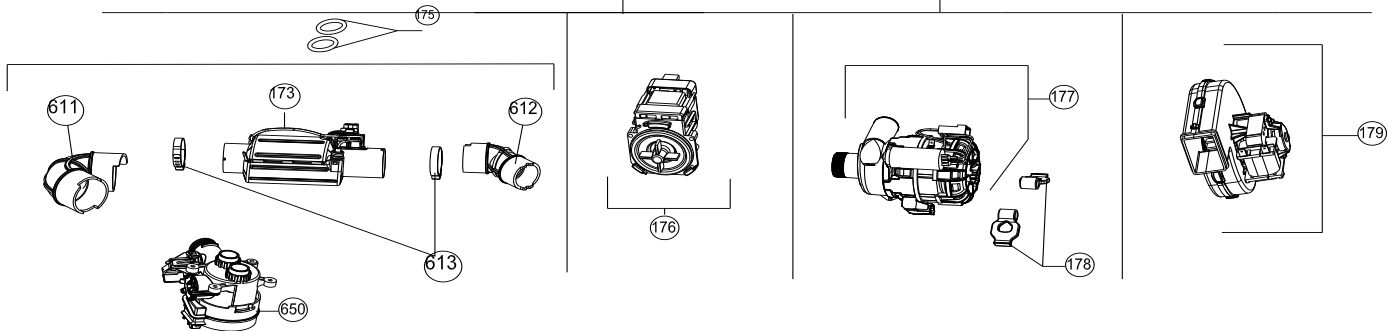
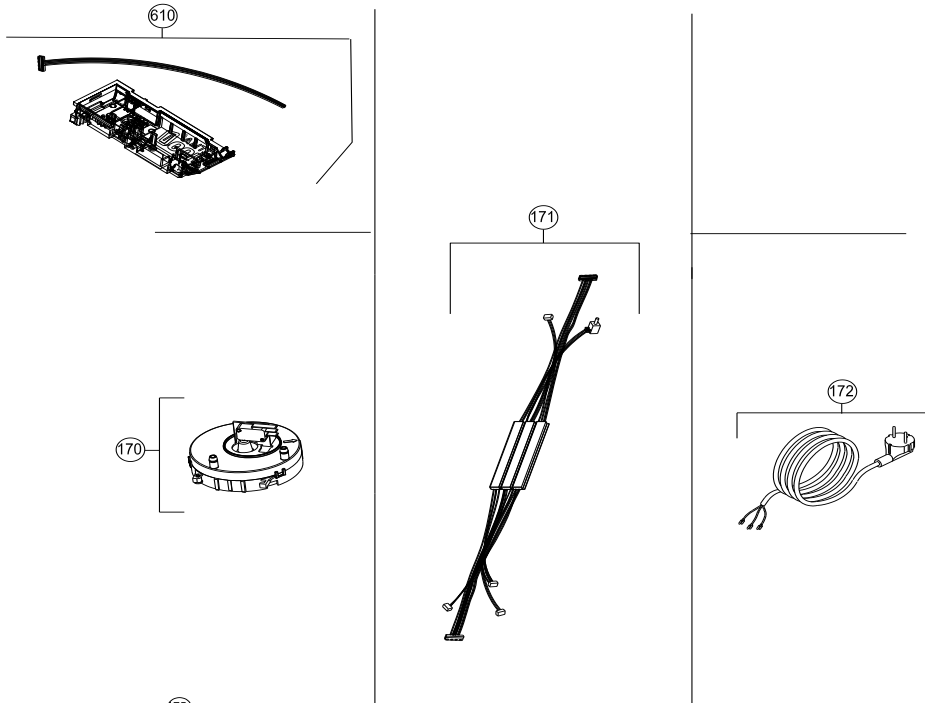


NO	PART NAME
60	DOOR OUTSIDE
61	DOOR INSIDE SHEETIRON GROUP
62	PLASTIC KICK PLATE
63	DISPANSER WITHOUT REED RELAY
64	DOOR LOCK
65	HINGE MOVEMENT SHEETIRON LEFT
66	HINGE MOVEMENT SHEETIRON RIGHT
67	TWISTED SHEETIRON
68	DOOR SEAL
69	SCREW ST 3,9X12 FLAT HEAD INOX
70	SCREW PT4X14 FLAT HEAD INOX
71	DOOR SUPPORT STYROFOAM
72	SCREW M5X10 TORK HEAD (S)
43	SCREW M4X9 PAN HEAD (S)
44	SCREW PT 4X12 PAN HEAD COLLAR CROSS



NO	PART NAME
1	TUBE ASSEMBLY
2	UPPER TRAY GROUP
3	FLAT/SIDE PANEL SHEETIRON-RIGHT
4	FLAT/SIDE PANEL SHEETIRON-LEFT
5	REAR UPPER PLS.CROSS BAR
6a	UPPER TRAY SUPPORT PART/RIGHT
6b	UPPER TRAY SUPPORT PART - LEFT
7	TUB TOP CORNER STYROFOAM
8	BACK CROSS BAR STYROFOAM-LEFT
9	BACK CROSS BAR STYROFOAM-RIGHT
10	FRONT CROSS BAR STYROFOAM-LEFT
11	FRONT CROSS BAR STYROFOAM-RIGHT
12	TUB GASKET
13	TOP TUB OF GASKET / OPSIYONEL
18	LATCH DOOR
19	UPPER BASKET RAIL
20	UPPER BASKET STOPPER-REAR
21	UPPER BASKET RAIL LOCK-FRONT
22	UPPER BASKET RAIL CON.BRA.GROUP
23	UPPER BASKET RAIL CON.BRA -REAR
24	METAL/PLASTIC FILTER
25	KICKPLATE SHEETIRON
29	ADJUSTED FOOT
30	HINGE CORD GROUP
31	LOWER COVER
32	HINGE SPRING
33	HINGE PULLEY
36	BASEMENT
37	TUB LOWER CORNER STYROFOAM-LEFT
38	TUB LOWER CORNER STYROFOAM-RIGHT
39	SCREW PT5X20 WN 5451 TORX RONDELALI
40	SCREW M4X6 SB
41	SCREW 3,9X9,5 FLAT HEAD
42	SCREW PT3,5X9 PAN HEAD COLLAR CROSS )
43	SCREW M4*9 SB PAN HEAD ( S )
44	SCREW PT4X12 PAN HEAD COLLAR CROSS
413	OVERFLOW PLS GR
414	OVERFLOW PLASTIC HOSE/PVC/UNSTRUNG
415	OVERFLOW PLASTIC
416	BOTTOM TUB OVERFLOW GASKET

### COMPONENTS



NO	PART NAME
170	FLOATER
171	CABLE HARNESS
172	POWER CABLE 180cm/WHITE
173	HEATER FLOW THROUGH
175	HEATER CASING O-RING
176	DRAIN PUMP
177	WASHING PUMP
178	WASHING PUMP VINE SUPPORT
76	NTC/SLIM
610	OKAM-CROSSBAR MECHANISM GR
611	HOSE HEATER-ECO
612	HOSE PUMP-HEATER
613	HOSE HANDCUFFS/FLOW THROUGH
650	DIVERTER