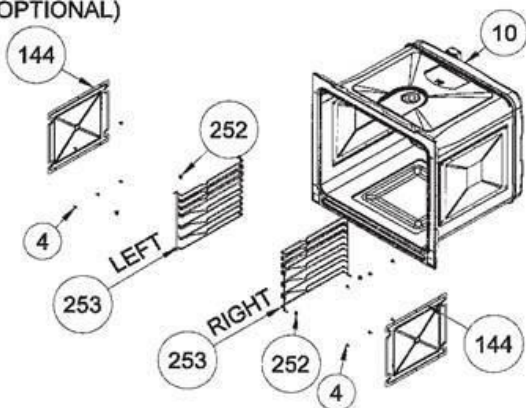
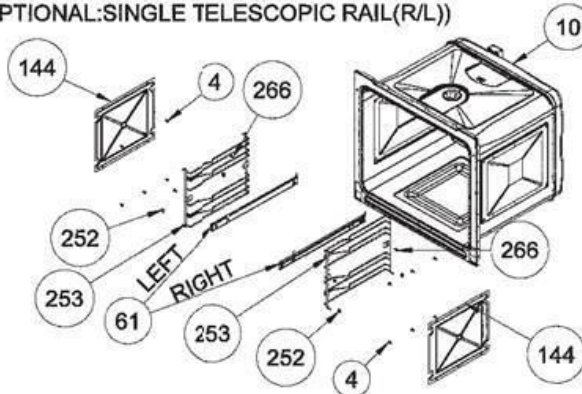


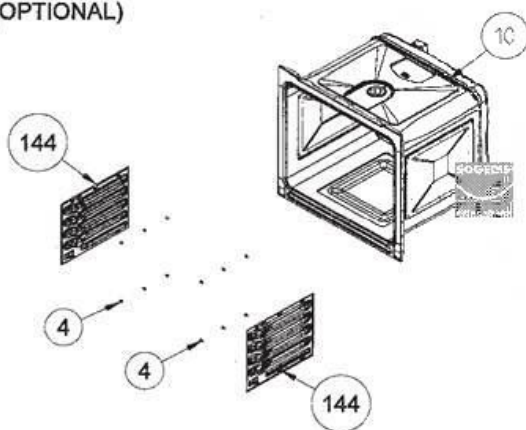
WIRE SHELF CAVITY ASSEMBLY  
WITH/ WITHOUT CATALYTIC PANEL  
(OPTIONAL)



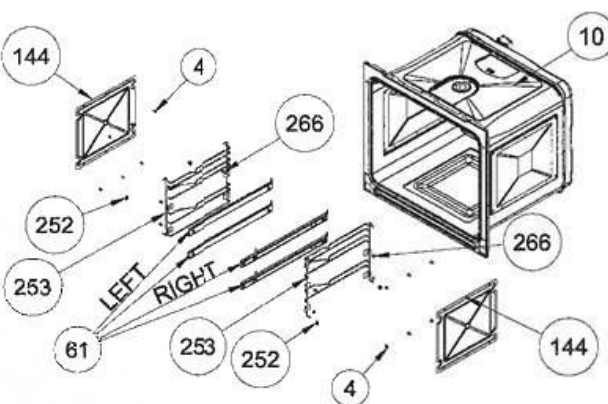
WIRE SHELF CAVITY ASSEMBLY  
WITH/ WITHOUT CATALYTIC PANEL  
(OPTIONAL: SINGLE TELESCOPIC RAIL (R/L))



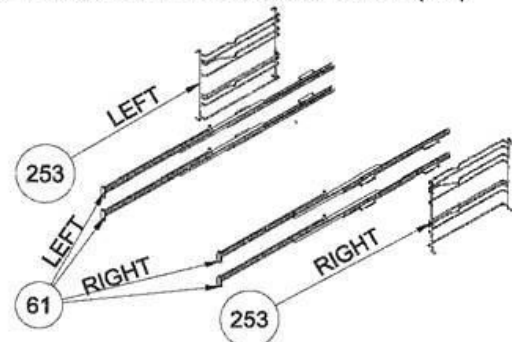
CAVITY ASSEMBLY  
WITH CATALYTIC PANEL  
(OPTIONAL)



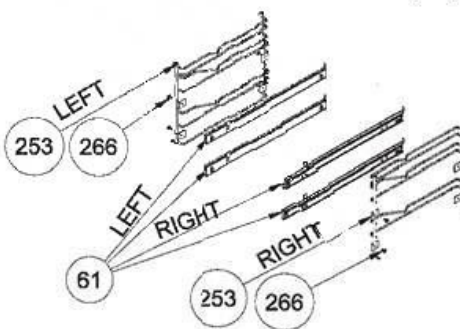
WIRE SHELF CAVITY ASSEMBLY  
WITH/ WITHOUT CATALYTIC PANEL  
(OPTIONAL: DOUBLE TELESCOPIC RAIL (R/L))



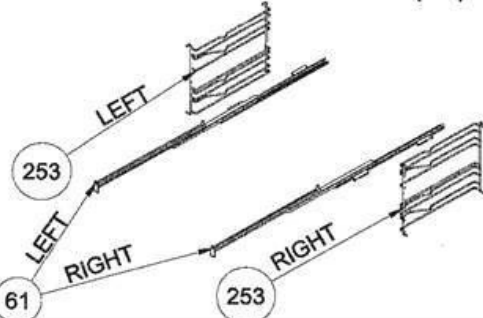
POSITION NUMBER : 585  
WIRE SHELF (FULL EXTENSION)  
OPTIONAL: DOUBLE TELESCOPIC RAIL (R/L)



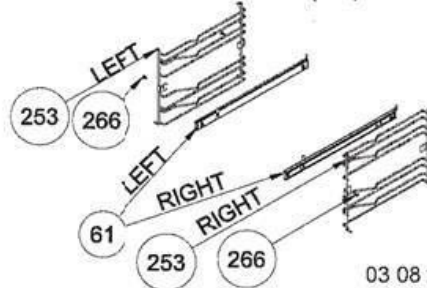
POSITION NUMBER : 587  
WIRE SHELF (SINGLE EXTENSION)  
OPTIONAL: DOUBLE TELESCOPIC RAIL (R/L)

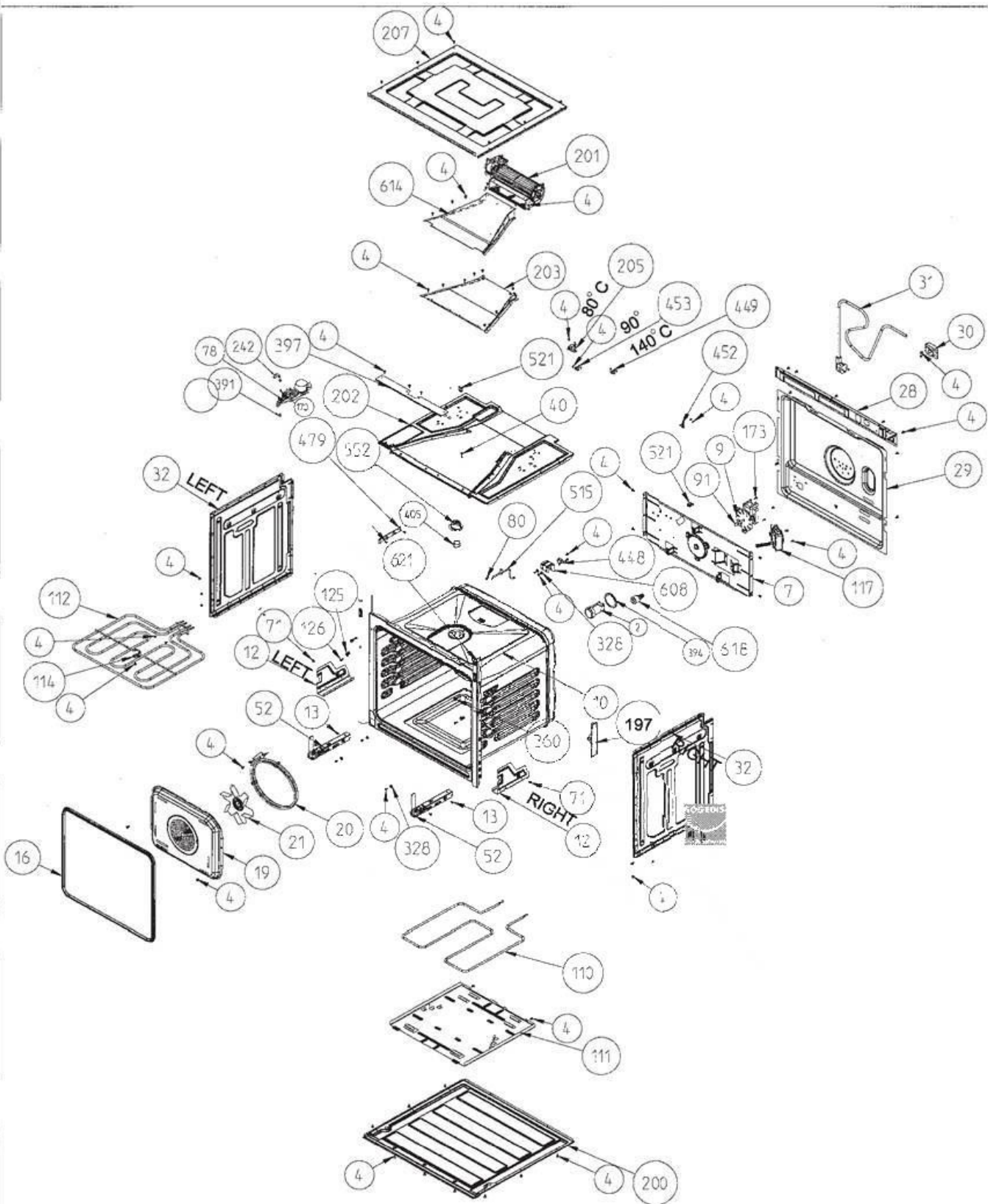


POSITION NUMBER : 586  
WIRE SHELF (FULL EXTENSION)  
OPTIONAL: SINGLE TELESCOPIC RAIL (R/L)

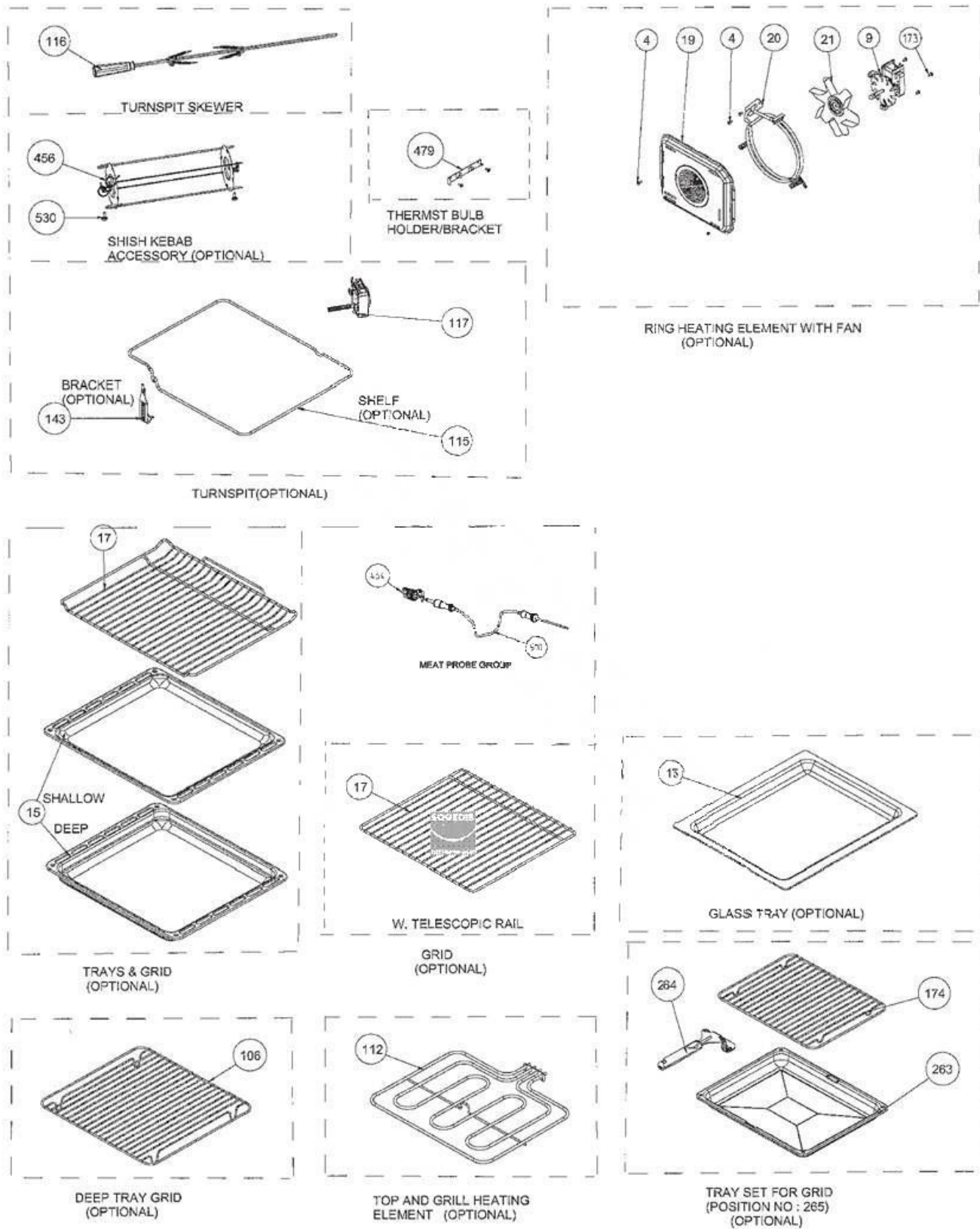


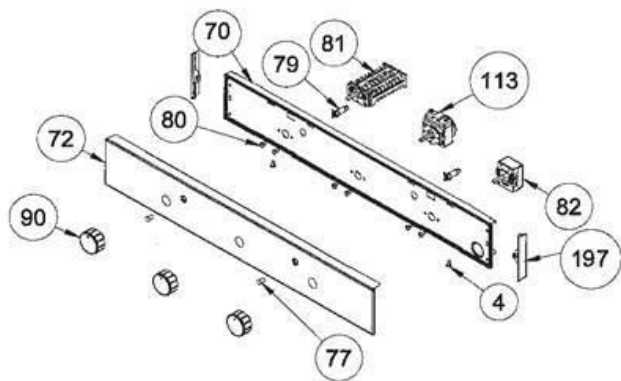
POSITION NUMBER : 588  
WIRE SHELF (SINGLE EXTENSION)  
OPTIONAL: SINGLE TELESCOPIC RAIL (R/L)



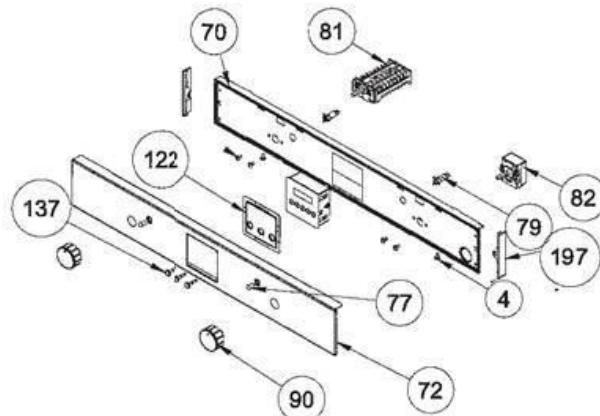


75 LT CAVITY ASSEMBLY EXPLODED VIEW  
(OPTIONAL)

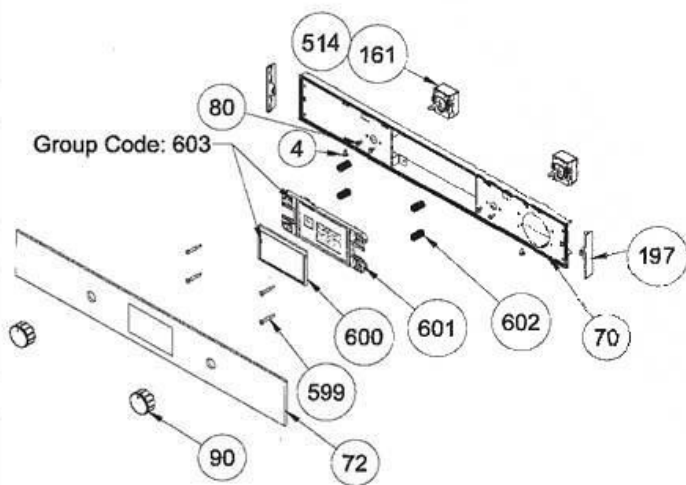




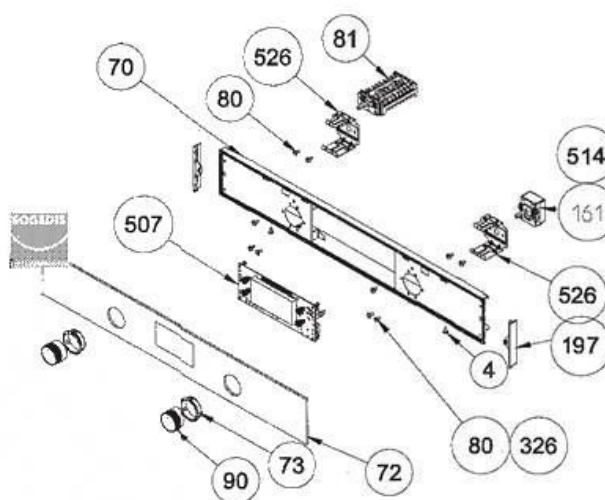
METAL CONTROL PANEL WITH MECHANIC TIMER ASSEMBLY (OPTIONAL)



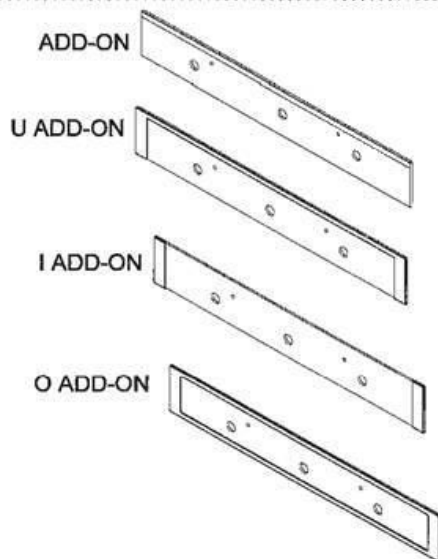
METAL CONTROL PANEL WITH DIGITAL TIMER ASSEMBLY (OPTIONAL)



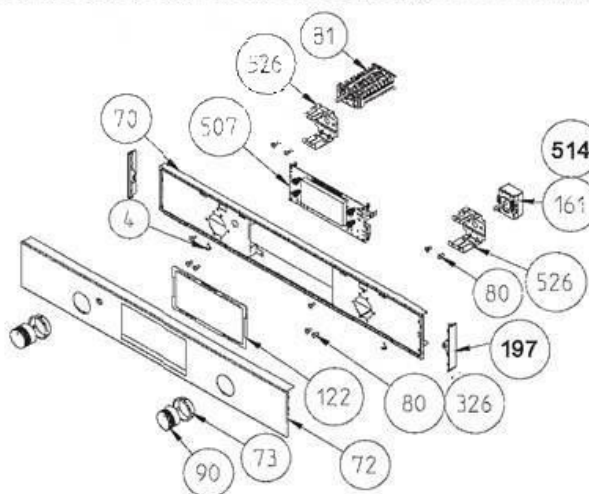
LCD SMART GLASS CONTROL PANEL ASSEMBLY (OPTIONAL)



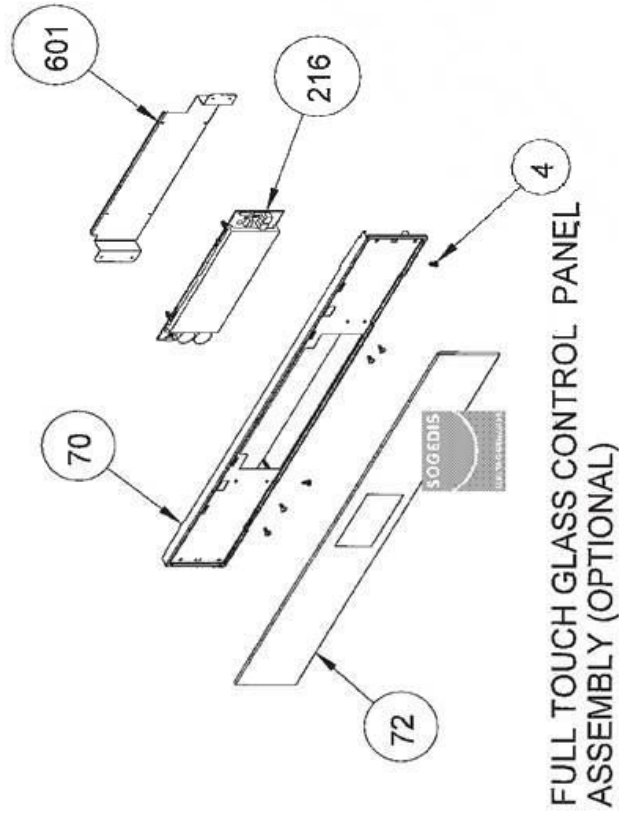
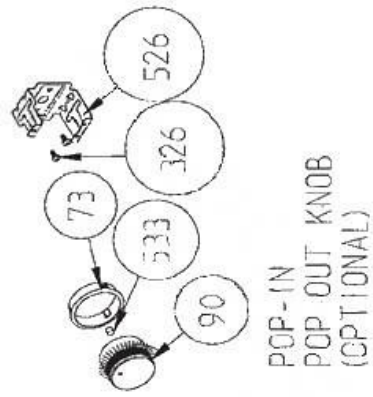
VISIO TOUCH GLASS CONTROL PANEL ASSEMBLY (OPTIONAL)



GLASS CONTROL PANEL WITH INOX ADD-ONS (OPTIONAL)

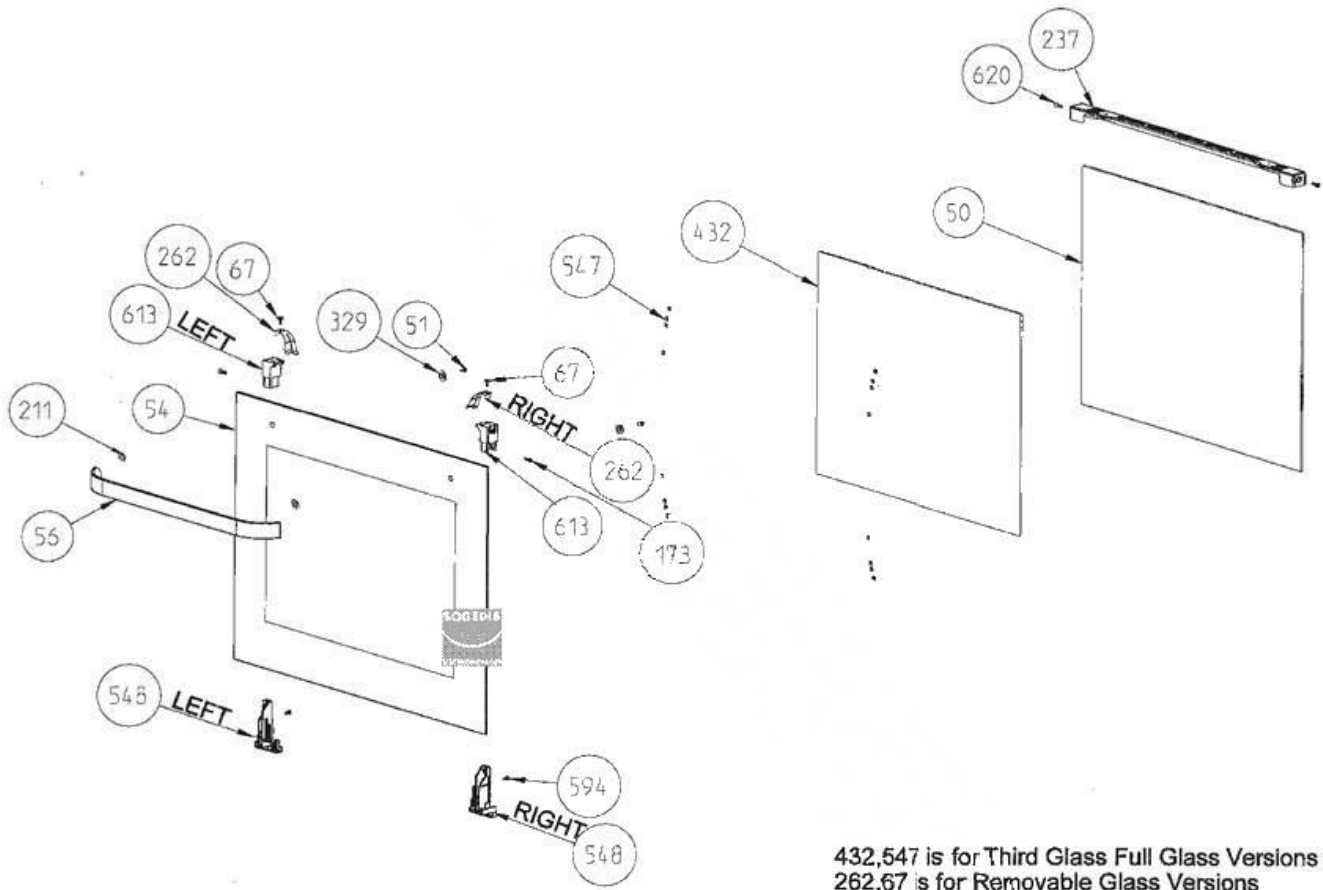


VISIO TOUCH METAL CONTROL PANEL ASSEMBLY (OPTIONAL)

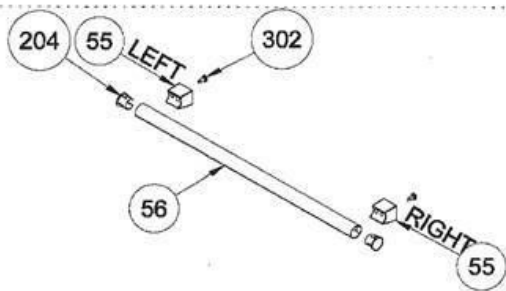


75 LT BUILT-IN OVEN DOOR ASSEMBLY

POSITION NUMBER:377

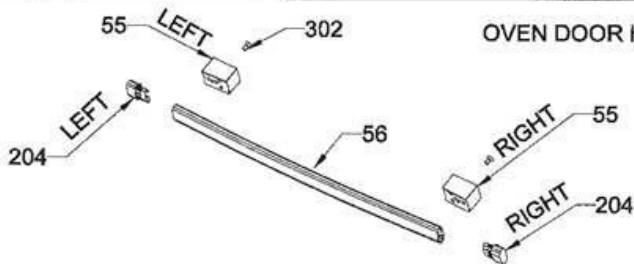


432,547 is for Third Glass Full Glass Versions  
262,67 is for Removable Glass Versions

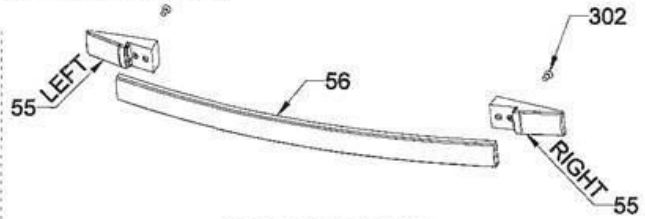


HANDLE BODY WITH  
HANDLE BRACKET (OPTIONAL)

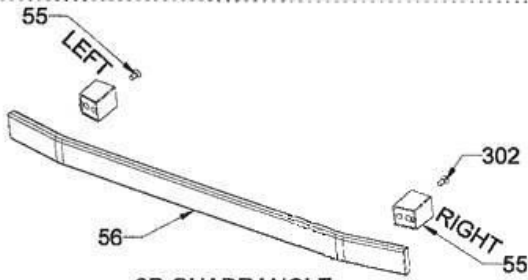
OVEN DOOR HANDLES (OPTIONAL)



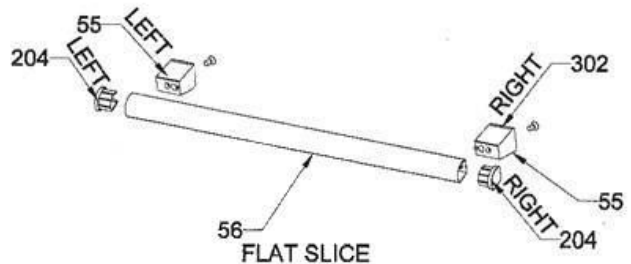
CURVED QUADRANGLE



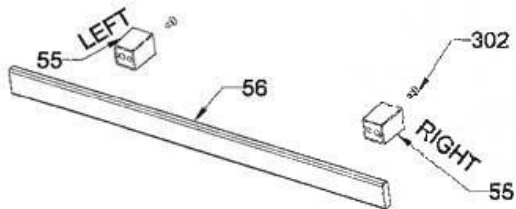
ARC QUADRANGLE



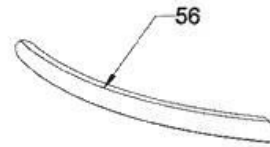
3D QUADRANGLE



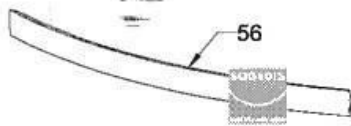
FLAT SLICE



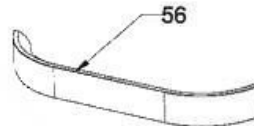
FLAT QUADRANGLE



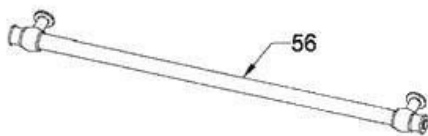
ELLIPSE ARC



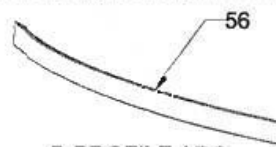
D PROFILE ARC, ELECTROLUX



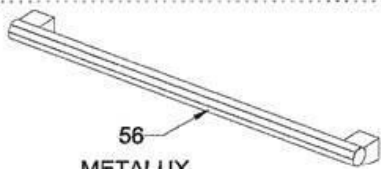
BOW



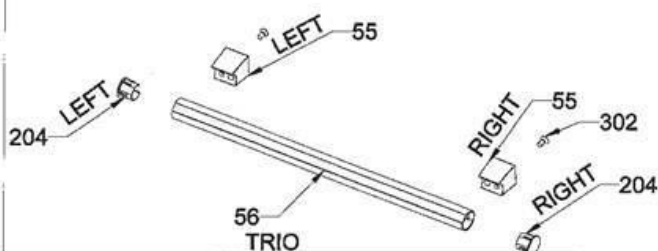
RUSTIK RISUS



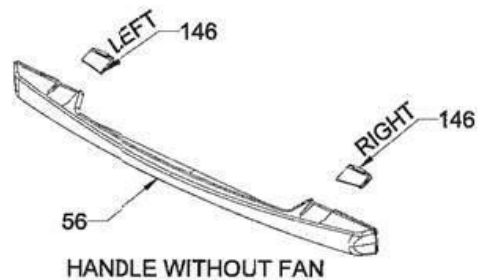
D PROFILE ARC



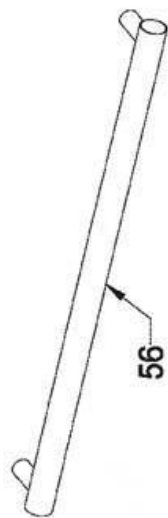
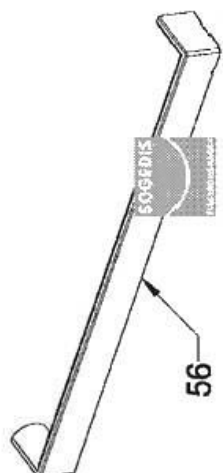
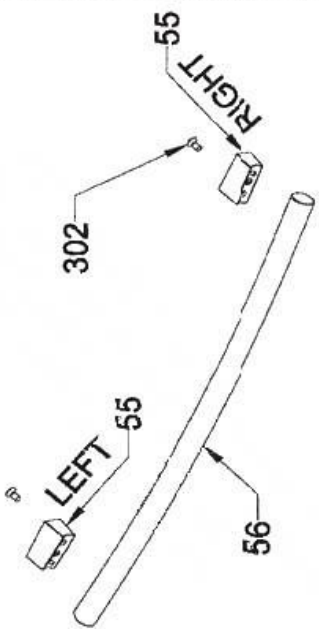

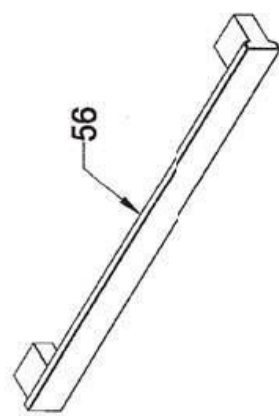
METALUX



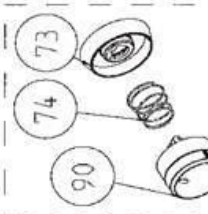
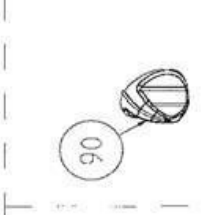
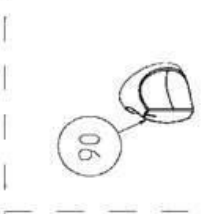
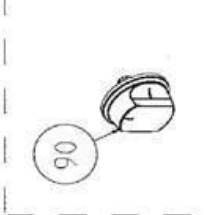
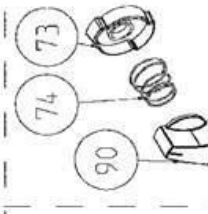
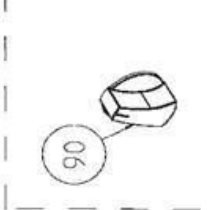
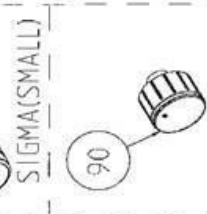
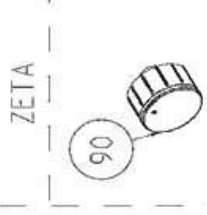
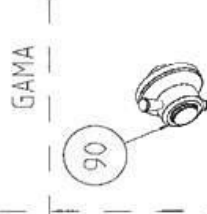

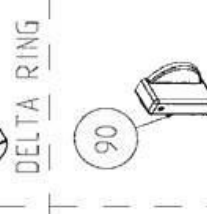
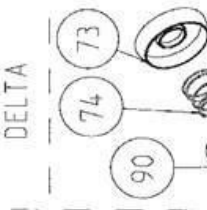
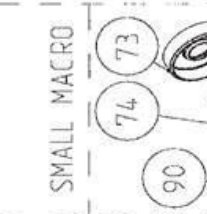
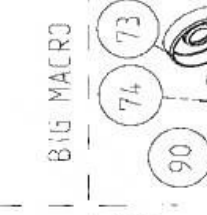
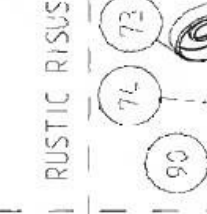

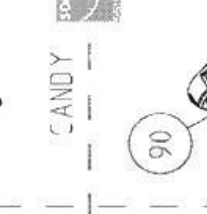
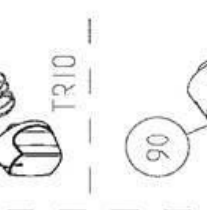
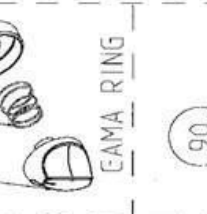
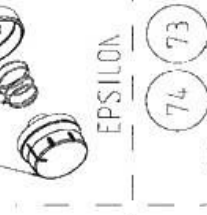
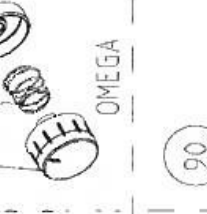
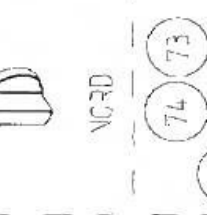
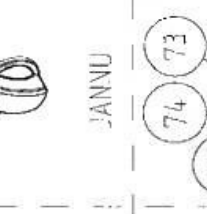
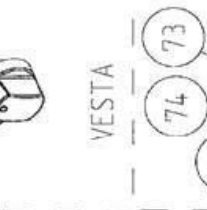
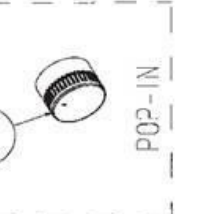
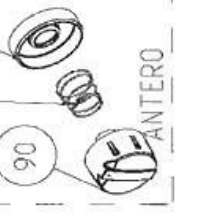
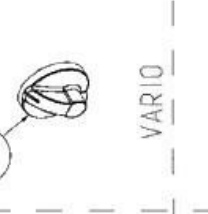
TRIO



HANDLE WITHOUT FAN

|   |   |
|---|---|
|  <p>56</p>   | <p>CYLINDER</p>   |
|  <p>56</p>  | <p>VERO</p>  <p>302</p> <p>LEFT</p> <p>RIGHT</p> <p>55</p> <p>56</p> |
|  <p>56</p> | <p>TROY</p>  <p>56</p> <p>TITAN VESTEL &amp; SHARP ONLY</p>         |

KNOBS ( ONLY FOR BUILT-IN - OPTIONAL )

|  |  |   |   |   |   |
|--|--|---|---|---|---|
|   |   |   |  |  |  |
| DELTA  | DELTA RING   | ALFA  | GAMA  | ZETA  | SIGMA(SMALL)  |
|   |   |   |  |  |  |
| TRIO   | CANDY  | ECLIPSE   | RUSTIC RISUS  | BIG MACRO   | SMALL MACRO   |
|   |   |   |  |  |  |
| VESTA  | JANVU  | NCRD  | OMEGA   | EPSILON   | GAMA RING   |
|   |   |   |  |  |  |
| ECLIPSE RING   | SPECTRUM   | RIMO  | VARIO   | ANTERO  | POP-IN  |
|  |  |  |   |   |   |
| LUNA RING  | ORBIS  | SIGNUM  |   |   |   |

Située sur la façade du moufle intérieur, à droite, en ouvrant la porte du four

FOUR

230V~3200W

CE

XXXXXX

Modèle XXXXXX

Type A00084016 G20013

SN

0061628600989490023

Exemple de N° série

Référence commerciale

616286 = Code produit / 98949 = N° de production