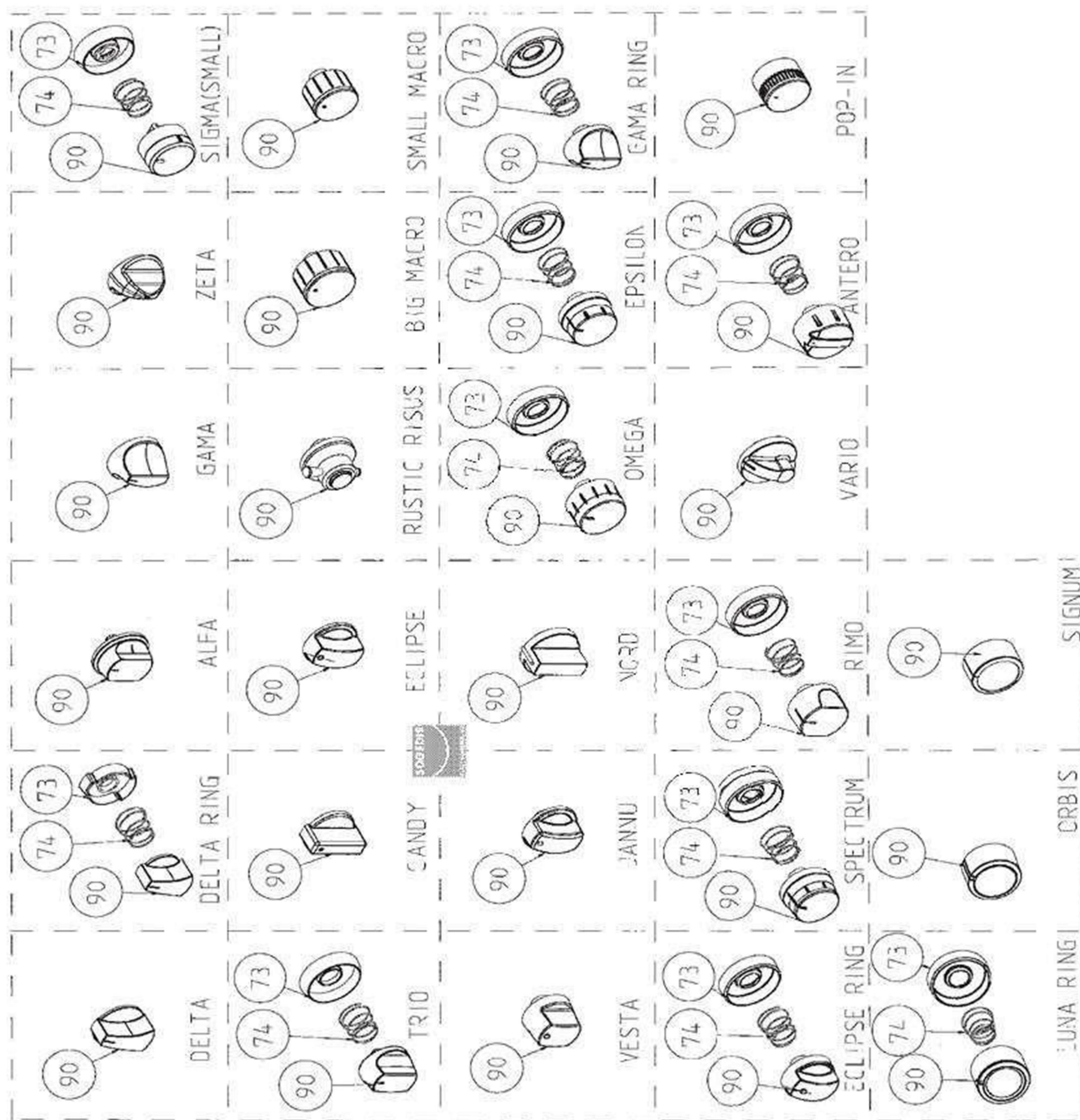
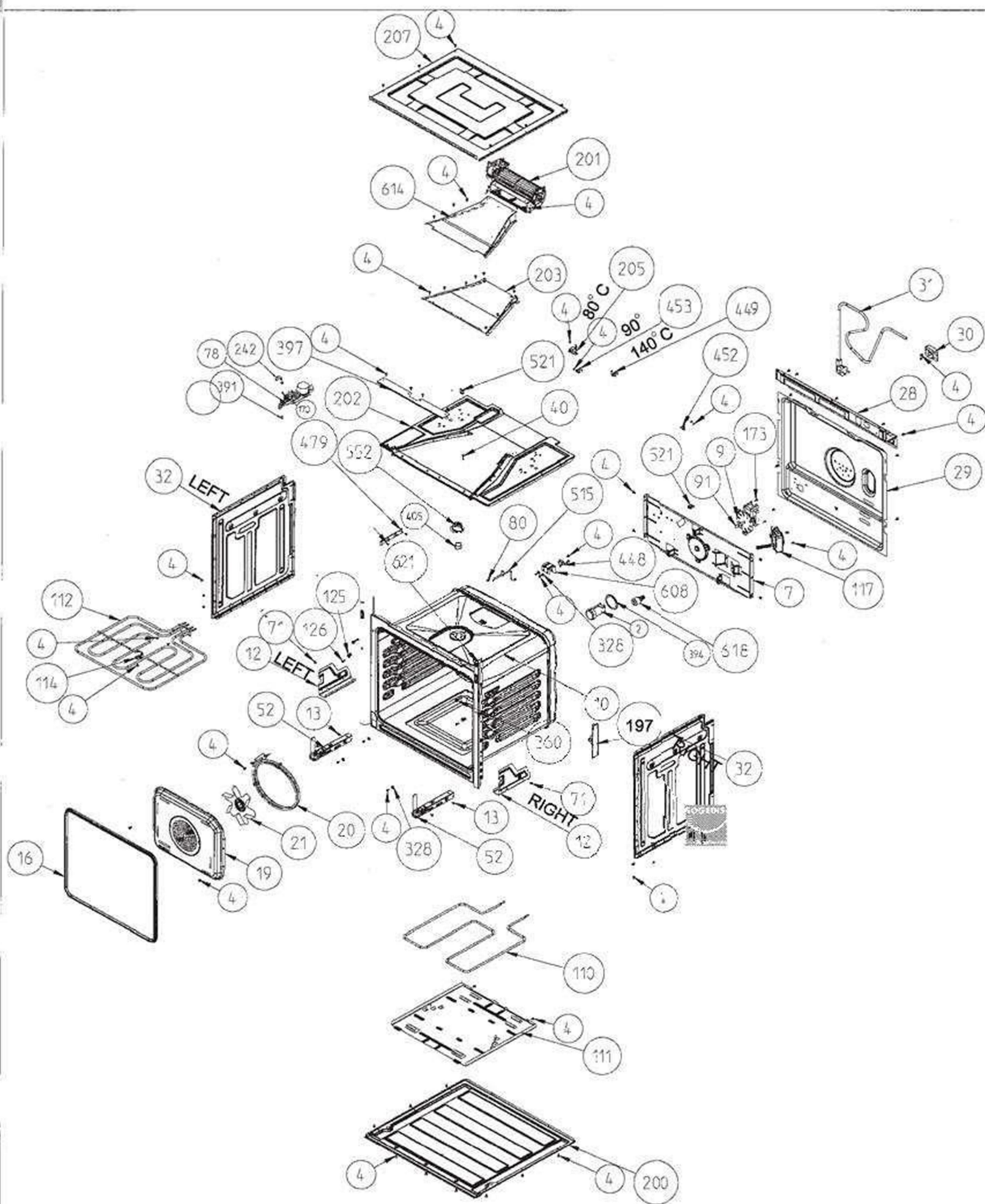


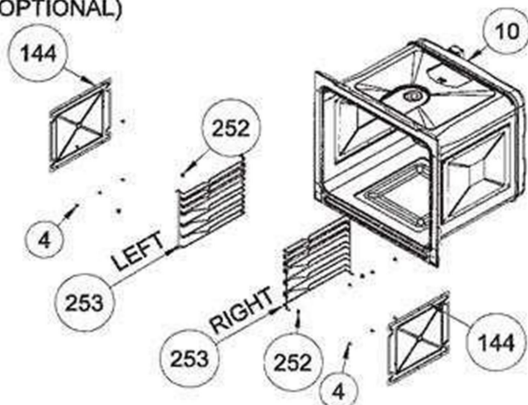
KNOBBS ( ONLY FOR BUILT-IN - OPTIONAL )



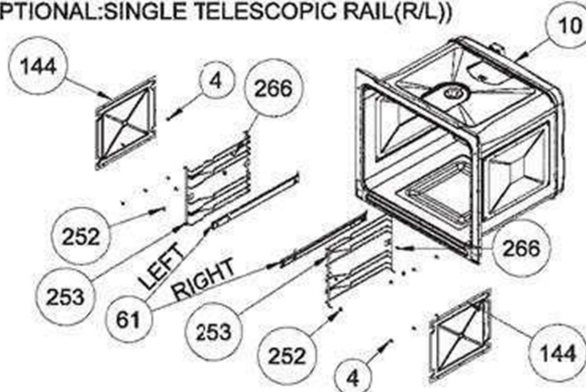


75 LT CAVITY ASSEMBLY EXPLODED VIEW  
(OPTIONAL)

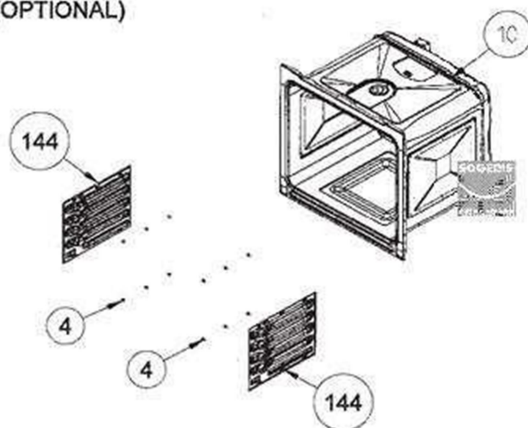
WIRE SHELF CAVITY ASSEMBLY  
WITH/ WITHOUT CATALYTIC PANEL  
(OPTIONAL)



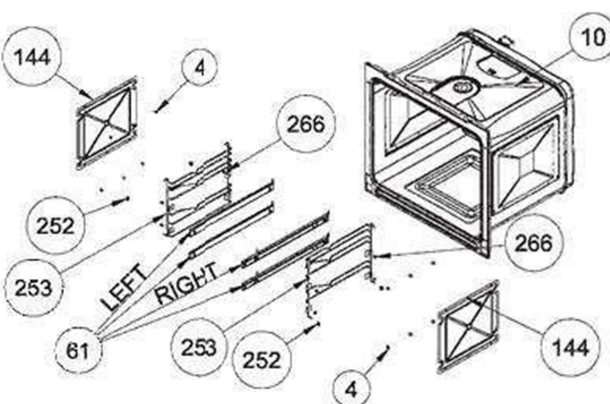
WIRE SHELF CAVITY ASSEMBLY  
WITH/ WITHOUT CATALYTIC PANEL  
(OPTIONAL: SINGLE TELESCOPIC RAIL (R/L))



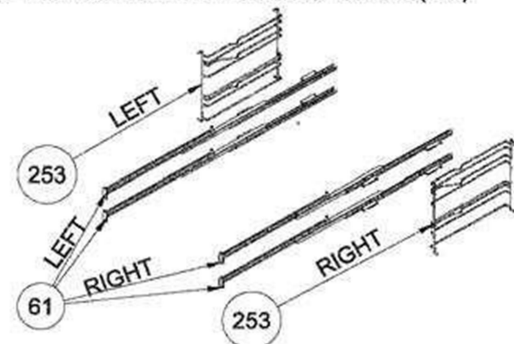
CAVITY ASSEMBLY  
WITH CATALYTIC PANEL  
(OPTIONAL)



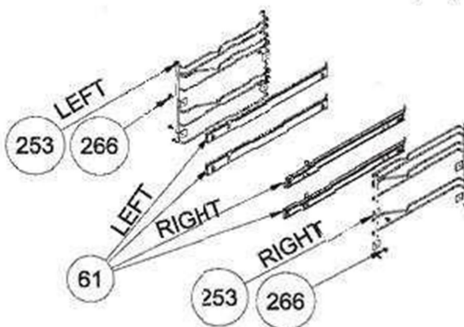
WIRE SHELF CAVITY ASSEMBLY  
WITH/ WITHOUT CATALYTIC PANEL  
(OPTIONAL: DOUBLE TELESCOPIC RAIL (R/L))



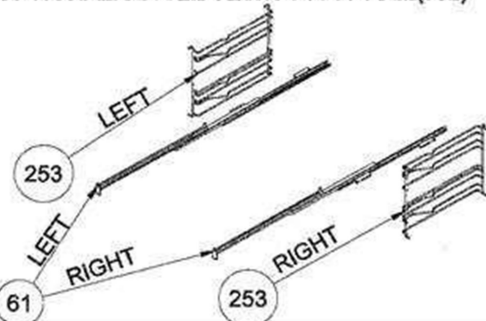
POSITION NUMBER : 585  
WIRE SHELF (FULL EXTENSION)  
OPTIONAL: DOUBLE TELESCOPIC RAIL (R/L)



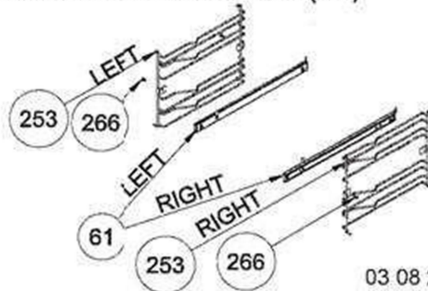
POSITION NUMBER : 587  
WIRE SHELF (SINGLE EXTENSION)  
OPTIONAL: DOUBLE TELESCOPIC RAIL (R/L)

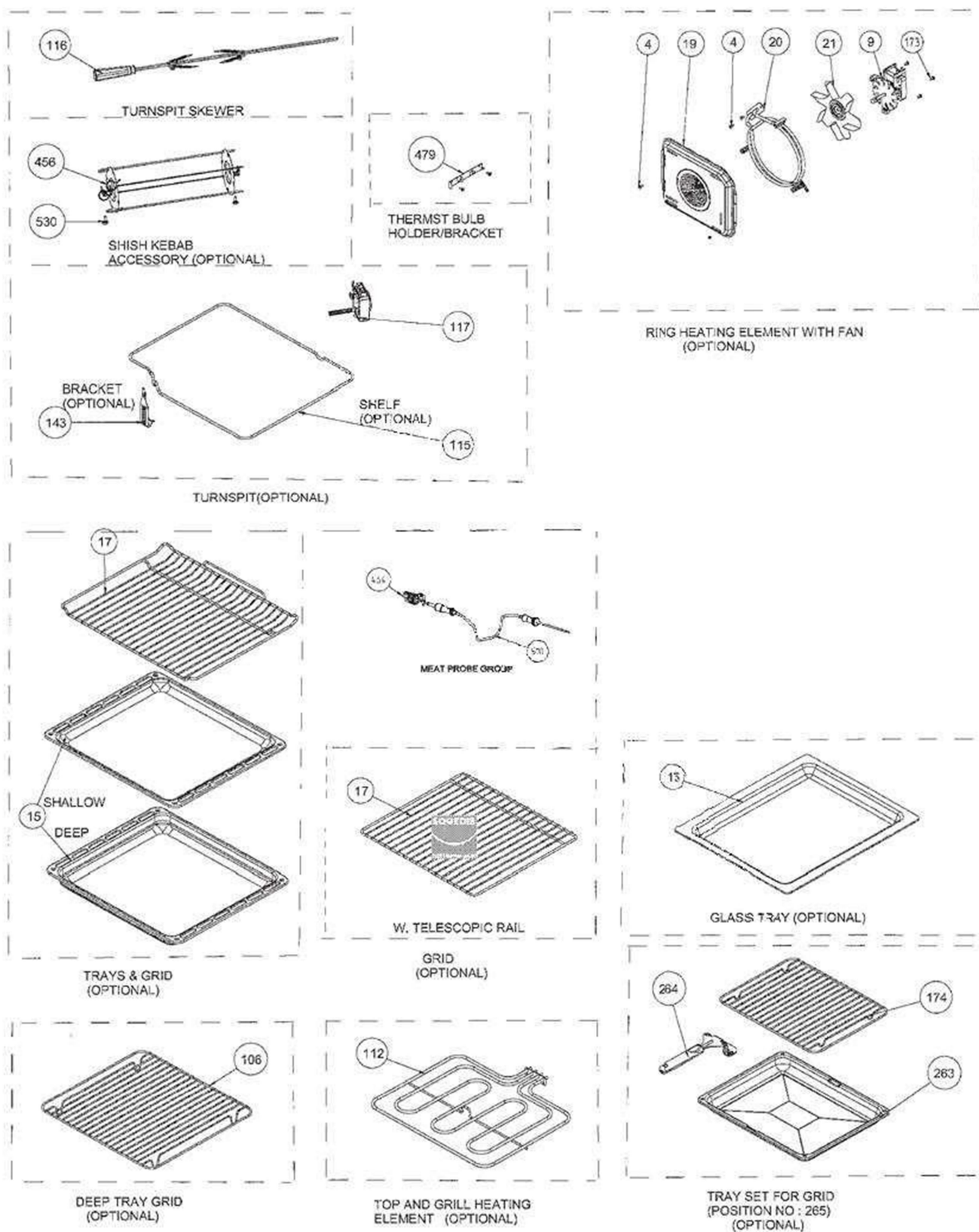


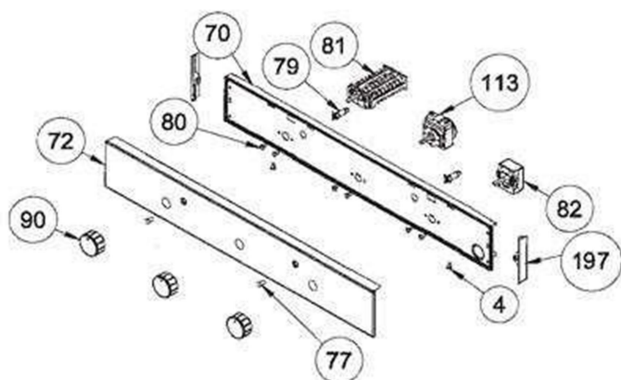
POSITION NUMBER : 586  
WIRE SHELF (FULL EXTENSION)  
OPTIONAL: SINGLE TELESCOPIC RAIL (R/L)



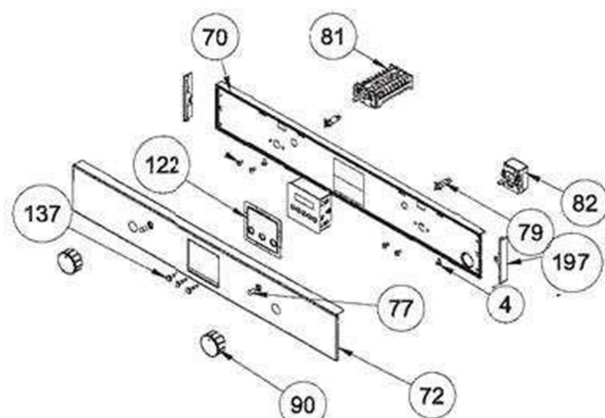
POSITION NUMBER : 588  
WIRE SHELF (SINGLE EXTENSION)  
OPTIONAL: SINGLE TELESCOPIC RAIL (R/L)



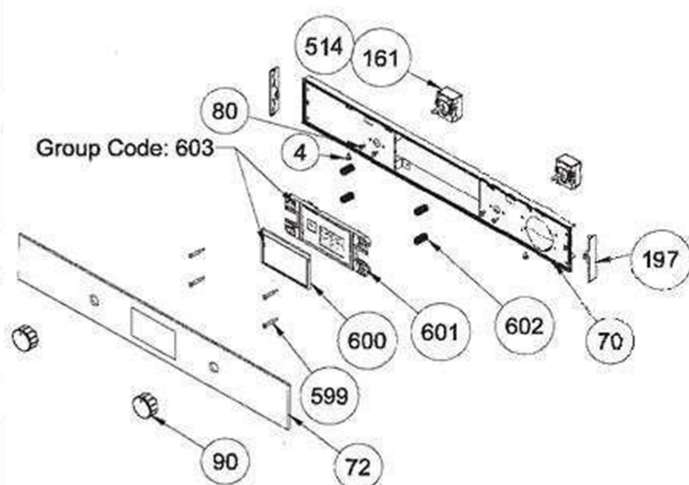




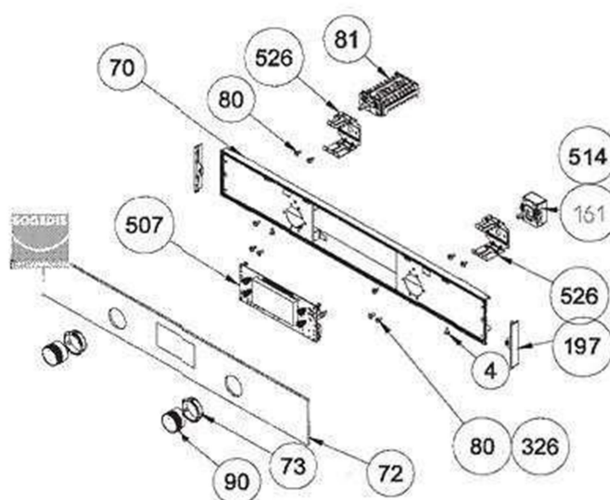
METAL CONTROL PANEL WITH MECHANIC TIMER ASSEMBLY (OPTIONAL)



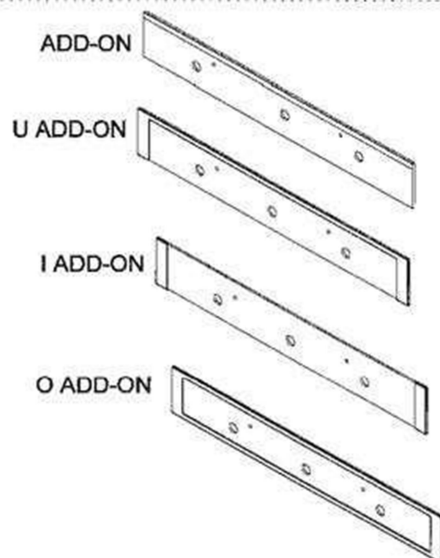
METAL CONTROL PANEL WITH DIGITAL TIMER ASSEMBLY (OPTIONAL)



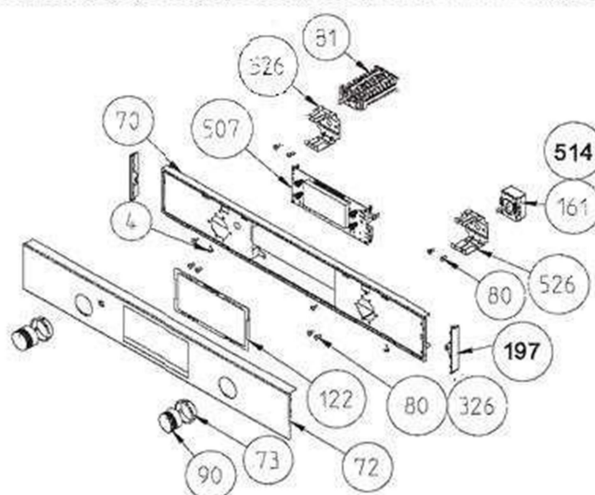
LCD SMART GLASS CONTROL PANEL ASSEMBLY (OPTIONAL)



VISIO TOUCH GLASS CONTROL PANEL ASSEMBLY (OPTIONAL)

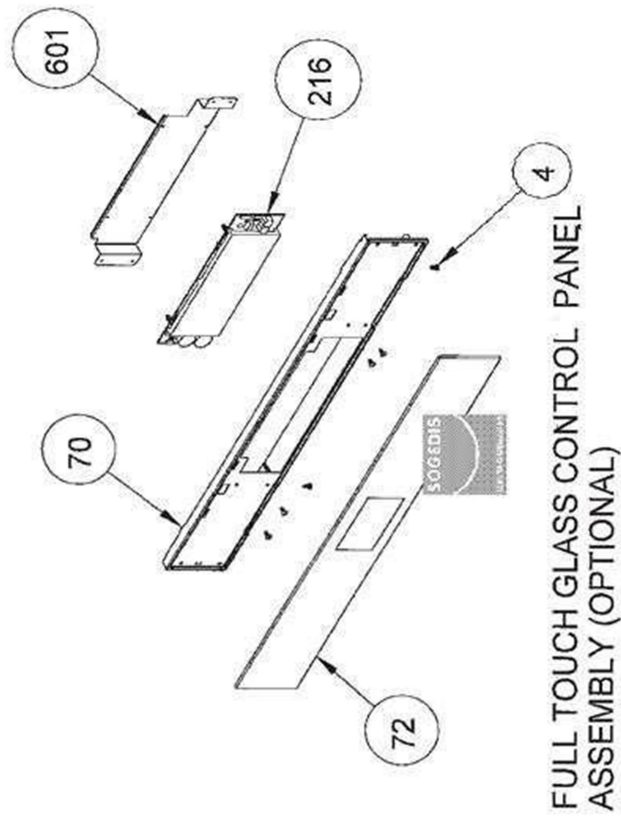
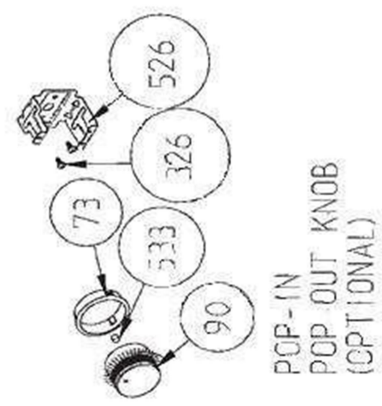


GLASS CONTROL PANEL WITH INOX ADD-ONS (OPTIONAL)



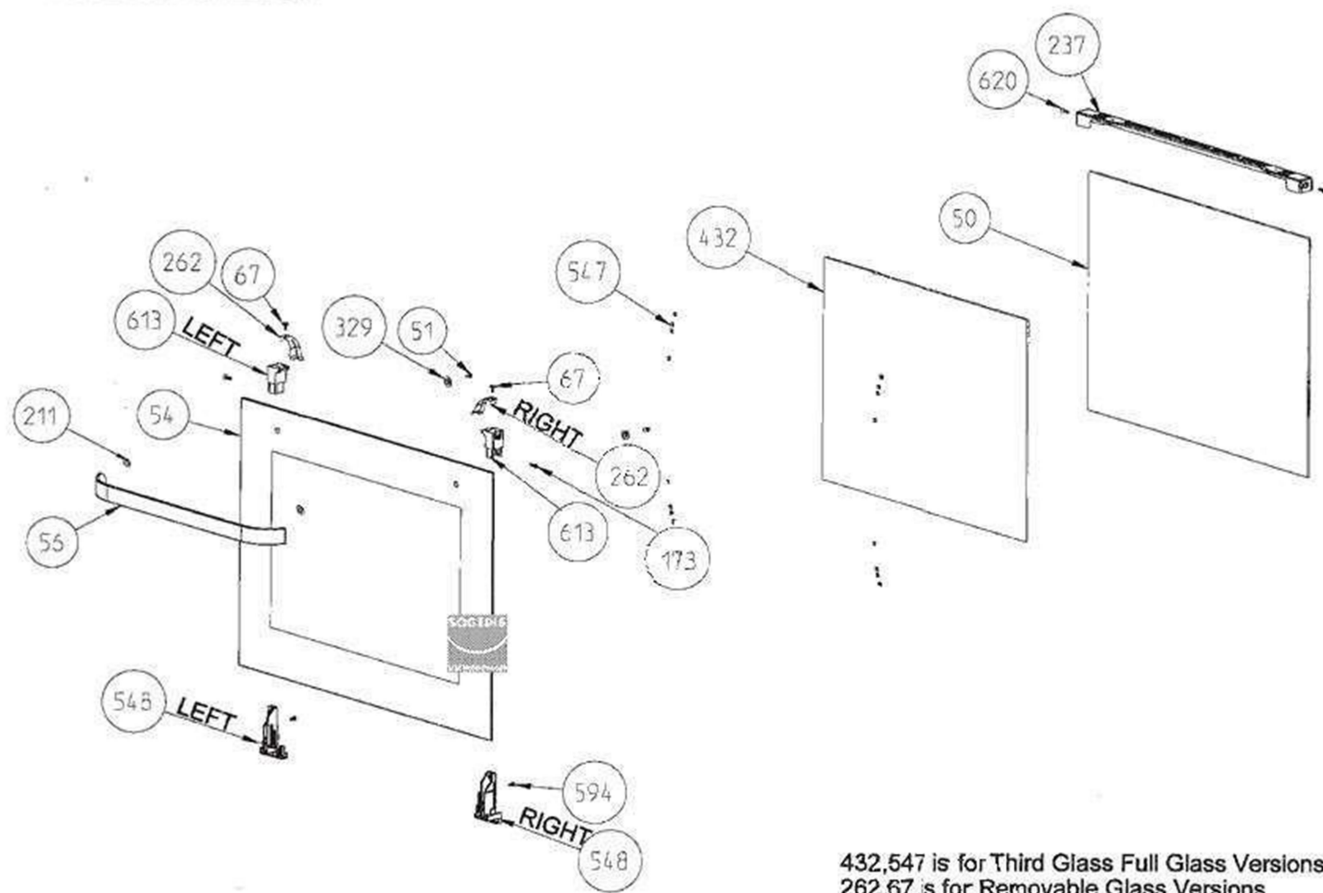
VISIO TOUCH METAL CONTROL PANEL ASSEMBLY (OPTIONAL)

CONTROL PANEL ASSEMBLY

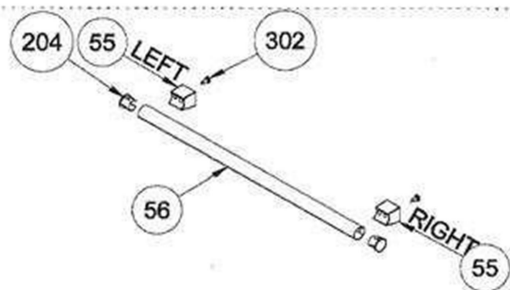


75 LT BUILT-IN OVEN DOOR ASSEMBLY

POSITION NUMBER:377

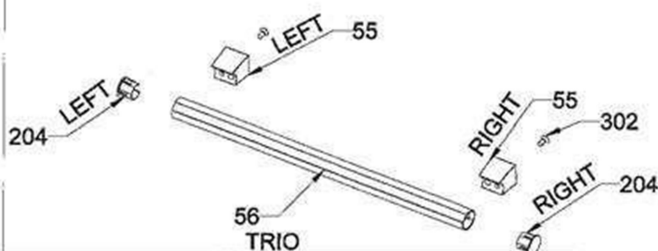
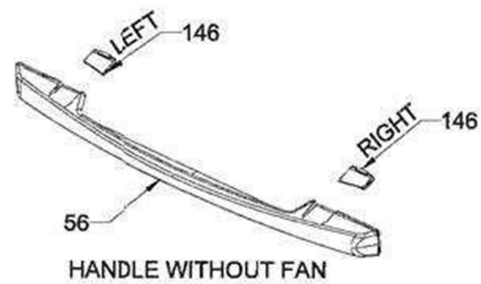
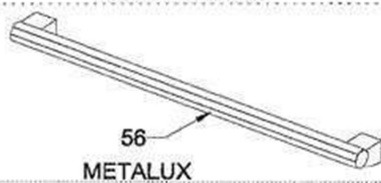
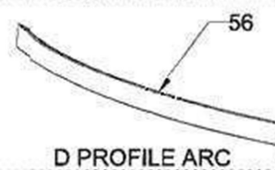
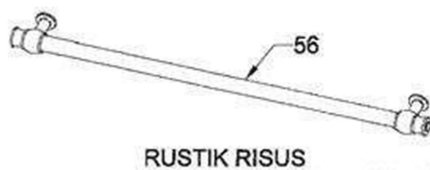
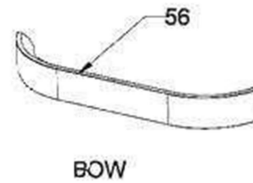
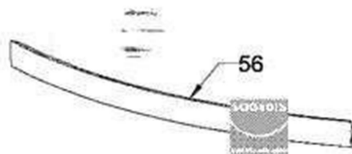
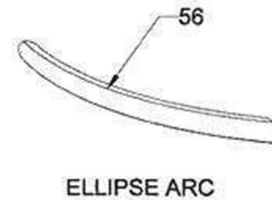
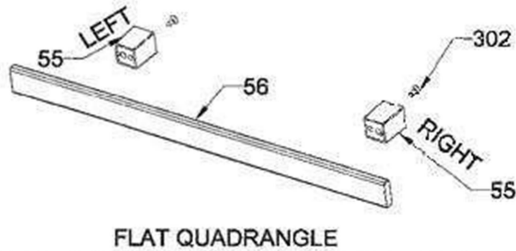
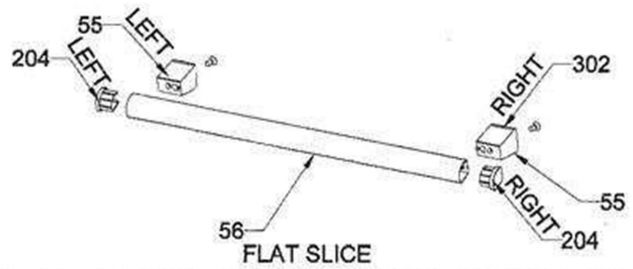
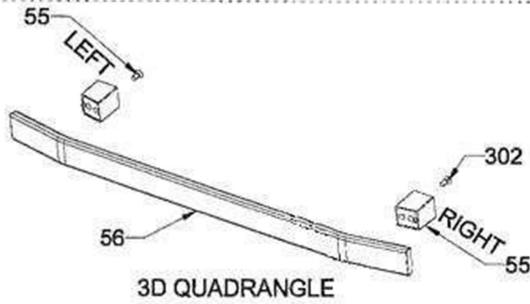
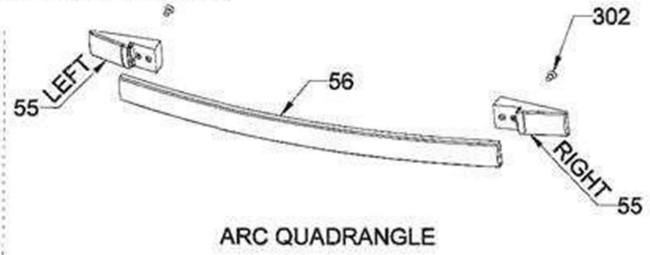
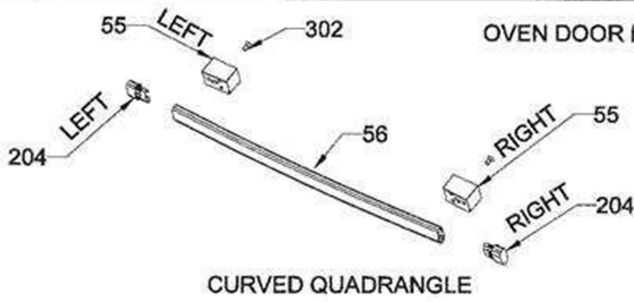


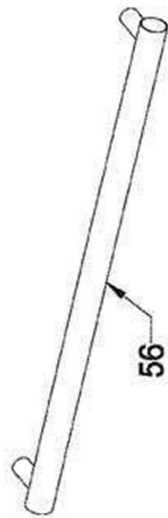
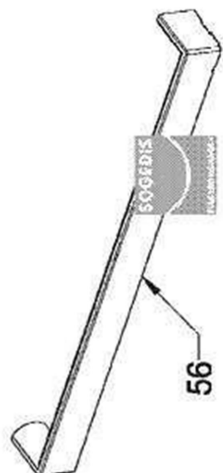
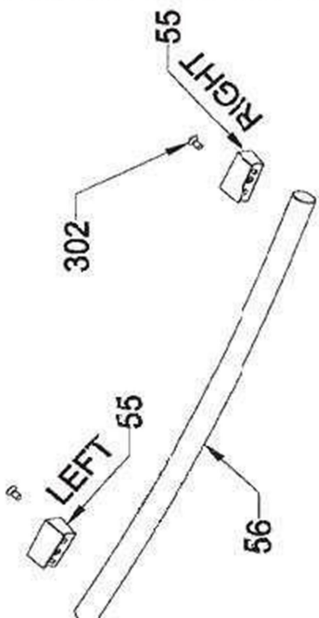
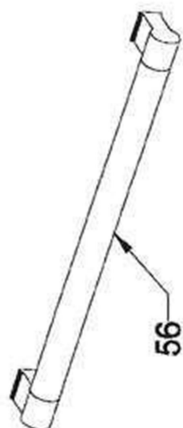
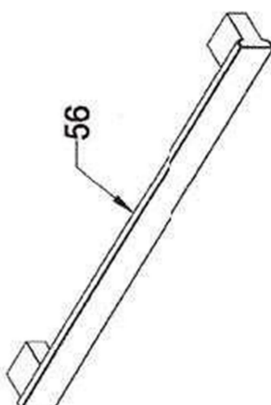
432,547 is for Third Glass Full Glass Versions  
262,67 is for Removable Glass Versions



HANDLE BODY WITH  
HANDLE BRACKET (OPTIONAL)

OVEN DOOR HANDLES (OPTIONAL)



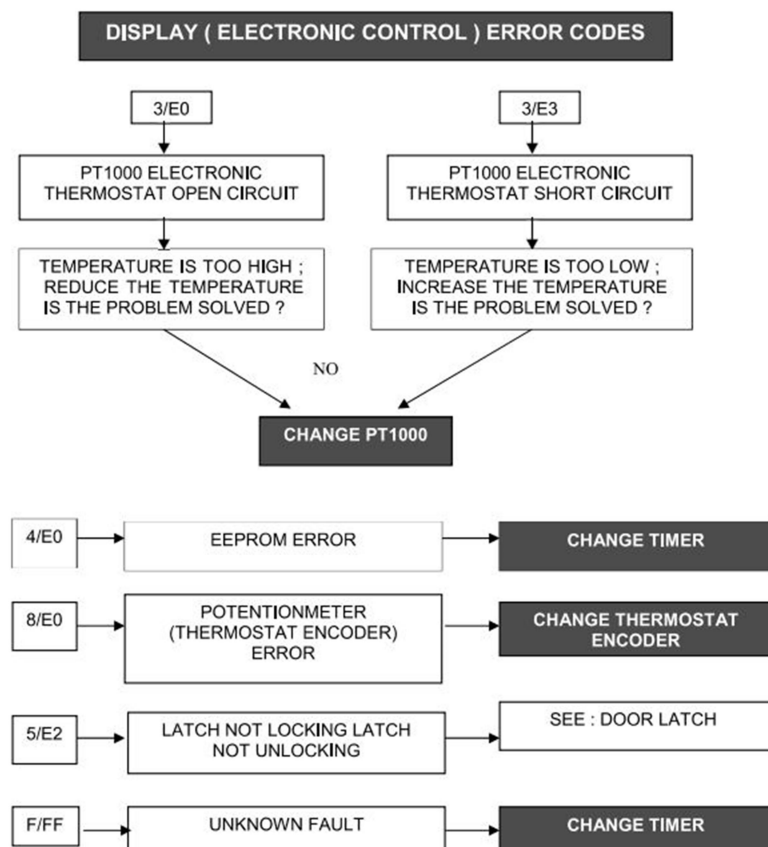
 <p>56</p>	<p>CYLINDER</p>
 <p>56</p> <p>SOGHDIS</p>	<p>VERO</p>  <p>302</p> <p>LEFT</p> <p>RIGHT</p> <p>55</p> <p>56</p>
 <p>56</p>	<p>TROY</p>  <p>56</p> <p>TITAN VESTEL &amp; SHARP ONLY</p>

## Liste des pieces detaches

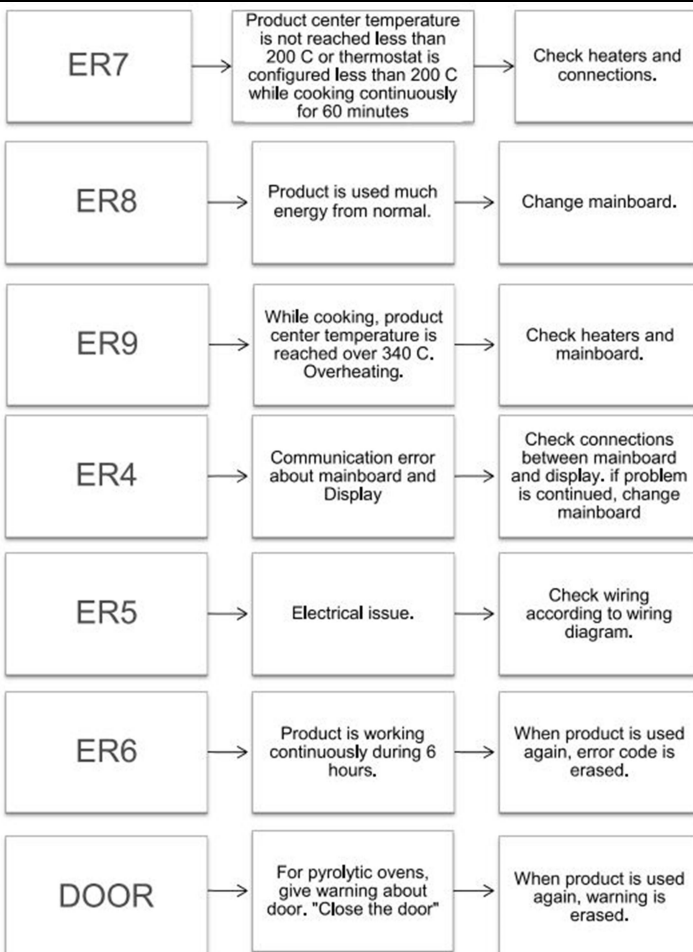
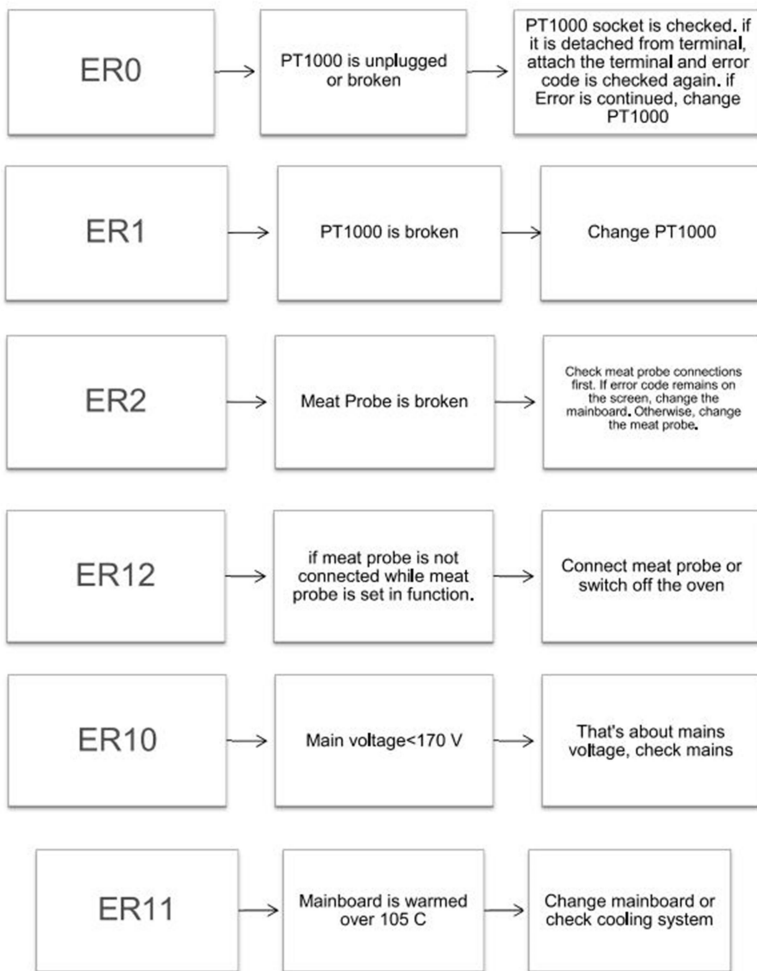
ESSENTIEL B EFMP62N			10723203
REF VUE	REF PIECE	DESIGNATION	QTE
2	32011563	DOUILLE C AMPOULE FOUR COMPLET	
2a	32028949	AMPOULE C 25W E14 300°C	
4	37002148	VIS C	
4	37019096	VIS C SUPPORT RESISTANCE SUP	
7	20854869	TOLE F SUPPORT	
9	32013533	MOTEUR C VENTILATEUR 26W YJ64-16A 2cosses	
10	20847687	MOUFLE F	
12	20865034	RENFORT F CHARNIERE DROITE	
12	22112908	RENFORT F CHARNIERE DROITE	ap 815798
12	22112910	SUPPORT F CHARNIERE DROITE V3	ap 892849
12	20865035	RENFORT F CHARNIERE GAUCHE	
12	22112909	RENFORT F CHARNIERE GAUCHE	ap 815798
12	22112921	SUPPORT F CHARNIERE GAUCHE V3	ap 892849
13	37002589	VIS C	
15	20757233	LECHEFRITE F 465*380*40	
16	42148364	JOINT F PORTE	
17	37030009	GRILLE F FOUR 466*362	
19	20797494	PANNEAU F CATALYSE FOND	
21	37033120	TURBINE C MOTEUR TANGENTIEL NM D=120mm	
21	37035808	TURBINE C MOTEUR VENTILATEUR	ap 796554
28	37033365	TOLE F EXT ARRIERE SUP	
29	20612618	TOLE F EXT ARRIERE	
30	32016629	BORNIER F ALIM	
31	32005226	CABLE P ALIM 3G1.5mm 1.5m	
32	20782077	TOLE F EXT LAT DROITE	
32	20782116	TOLE F EXT LAT GAUCHE	
50	47013762	VITRE F INTERIEURE PYRO 523*432	
51	37026148	VIS C POIGNEE	
52	37019896	CHARNIERE F PORTE ROUGE-BLEU	
52	37035719	CHARNIERE F PORTE ROSE-BLEU M6	ap 815798
52	37046874	CHARNIERE F PORTE M26	
54	22080543	VITRE F EXT NOIRE PROFIL ALU INF 594*482 ESSENTIEL B 420	
56	37022684	POIGNEE F PORTE INOX VERO 430MM (entraxe 420MM)	
70	22043236	SUPPORT F BANDEAU	
71	37023099	VIS C	
72	22071504	BANDEAU F NOIR	
73	42143206	DISQUE F MANETTE GRISE INOX OMEGA	
74	37012495	RESSORT C MANETTE CONIQUE	
77	32029831	LAMPE F TEMOIN CARREE ROUGE	
78	32008370	SECURITE F PORTE 8501400/1	
80	37002003	VIS C	
81	32010289	COMMUTATEUR F FOUR 871000K GOTTAK	
90	42161736	MANETTE F INOX-GRISE MACRO 38*34 12h 6mm 15mm	
91	37001886	ECROU P	
91	37028756	ECROU F TURBINE VENTILATEUR PAS GAUCHE	
107	37010985	RONDELLE F	
110	32038521	RESIST C SOLE 1100W	
111	20613033	TOLE C SUPPORT RESIST INF	
112	32017633	RESISTANCE F SUP 1400+1200W 2035594010	
113	37032287	PROG F PYRO 20FR14 2cosses 5broches ROUGE	
113	32016089	PROG F PYRO 3T 88-804-319-0B 3R 8cosses 3broches	production 887525 et 887526 et 893904
114	37016403	SUPPORT F RESIST SUP	
114	22181195	SUPPORT F RESIST SUP	ap 846492
124	42117628	SUPPORT F PROG	
125	42069028	DOUILLE F	
126	37002841	VIS F FIXATION FOUR	
137	42131031	BOUTON F PROG GRIS 20,3mm	
175	37003003	VIS F INOX	
197	42139153	PIECE F	

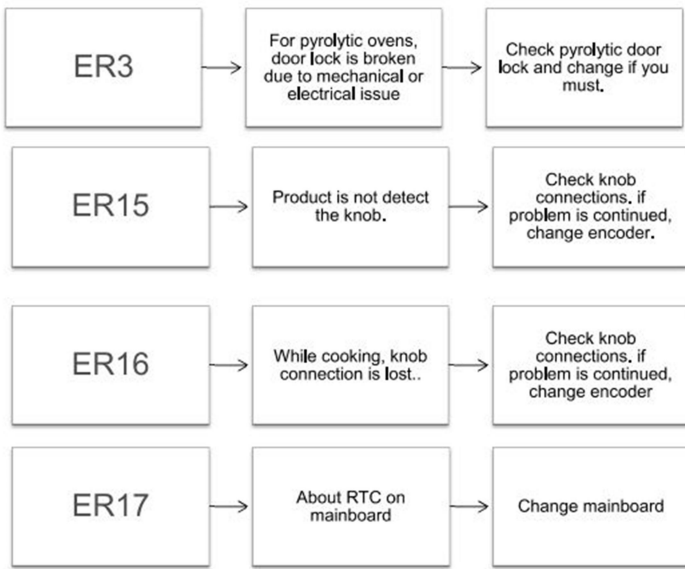
200	20731615	TOLE F EXT INF		
200	22133183	TOLE F EXT INF	ap 815798	
201	32033839	MOTEUR F VENTILATEUR TANGENTIEL YJ64-25A-HZ02 40W		
202	37027653	TOLE F		
203	37027656	TOLE F		
205	32024149	THERM F NC80		
207	20880397	TOLE F		
211	42016770	JOINT C POIGNEE		
237	42156727	CORNIERE F SUPERIEURE		
237	42223627	PROFIL F SUP PORTE	ap 815798	
242	37012429	SUPPORT F		
262	37025434	RESSORT F D VERRE PORTE		
262	37035946	RESSORT F D VERRE PORTE	production 846492 et 848230	
262	37025436	RESSORT F G VERRE PORTE		
262	37035945	RESSORT F G VERRE PORTE	production 846492 et 848230	
328	37009032	RONDELLE C		
343	47013764	VITRE F INTERMEDIAIRE EXTERIEURE 495*385		
344	47013763	VITRE F INTERMEDIAIRE INTERIEURE 495*412		
360	42065841	BUTEE F SILICONE		
360	42224372	BUTEE F SILICONE	ap 846492	
390	37013139	VIS F		
391	42046904	EMBOUT F VERROU PORTE		
394	37012413	CERCLAGE F HUBLLOT LAMPE		
397	20768420	TOLE F		
397	37046219	DEVIATEUR F AIR	ap 846492	
405	37028366	CATALYSEUR F		
449	32009198	THERM F NC140		
449	32031724	THERM F NC140	ap 827479	
452	32043981	THERMOSTAT F KLIXON NA70		
453	32010292	THERM F KLIXON 90C		
514	32008373	VARIATEUR F THERMOSTAT 889091211 (ENCODER)		
514	32036687	VARIATEUR F THERMOSTAT (ENCODER)	ap 815798	
515	32041985	SONDE F ELECTRONIQUE		
521	32023787	SUPPORT F CABLAGE		
552	37011599	CHEMINEE F		
608	37024382	SUPPORT C		
614	37027655	TOLE F GUIDE AIR TANGENTIEL		
621	20760254	PROFIL F DROITE NOIRE MOUFLE		
621	20760255	PROFIL F GAUCHE NOIRE MOUFLE		
S/ref	20882808	SUPPORT F RESISTANCE SUP		
S/ref	32031259	CABLE F A0_66227P		
S/ref	32047663	CABLE F A0_66227P_SLK_NOA	production 887525 et 887526 et 893904	
S/ref	37002590	SUPPORT C ISOLATION ARRIERE		
S/ref	37035719	CHARNIERE F PORTE ROSE-BLEU M6	ap 796554	
S/ref	52269947	NOTICE F UTILISATION		

## Liste des codes **ERREUR**



## OVEN ERROR CODES:





## Schéma électrique

