

essentiel 

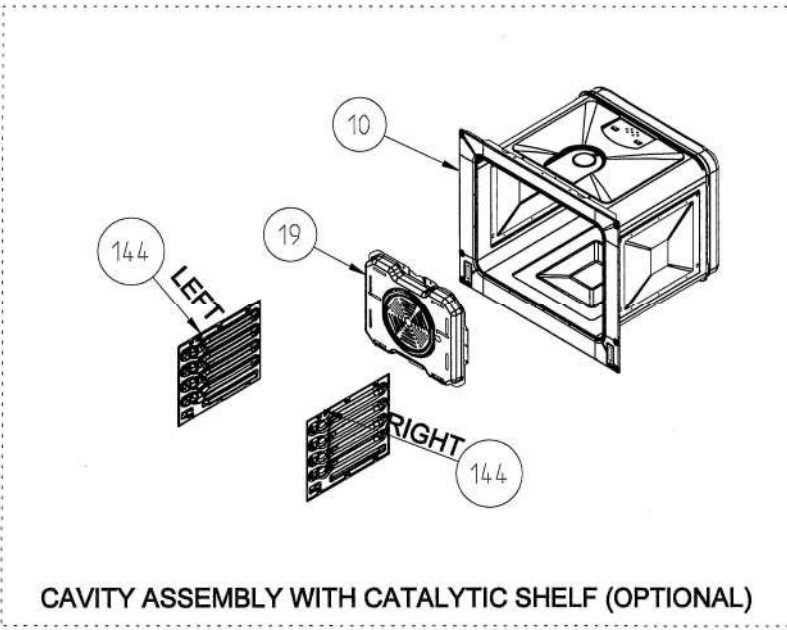
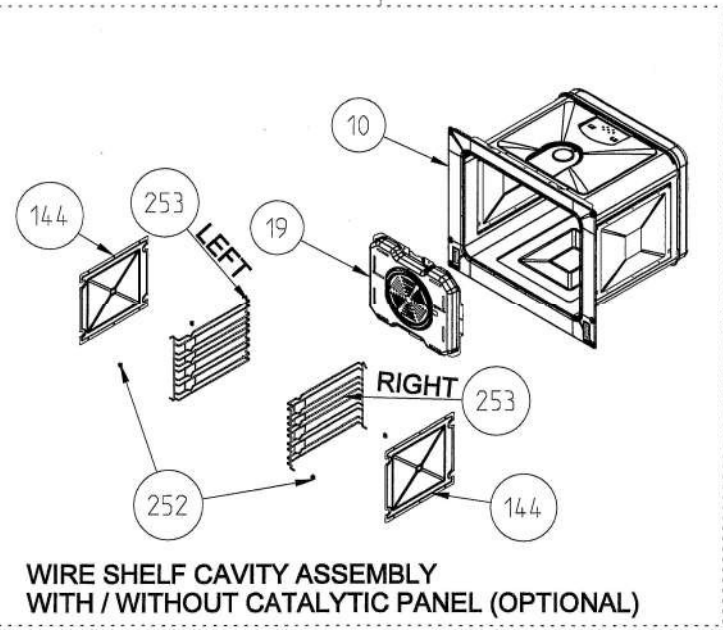
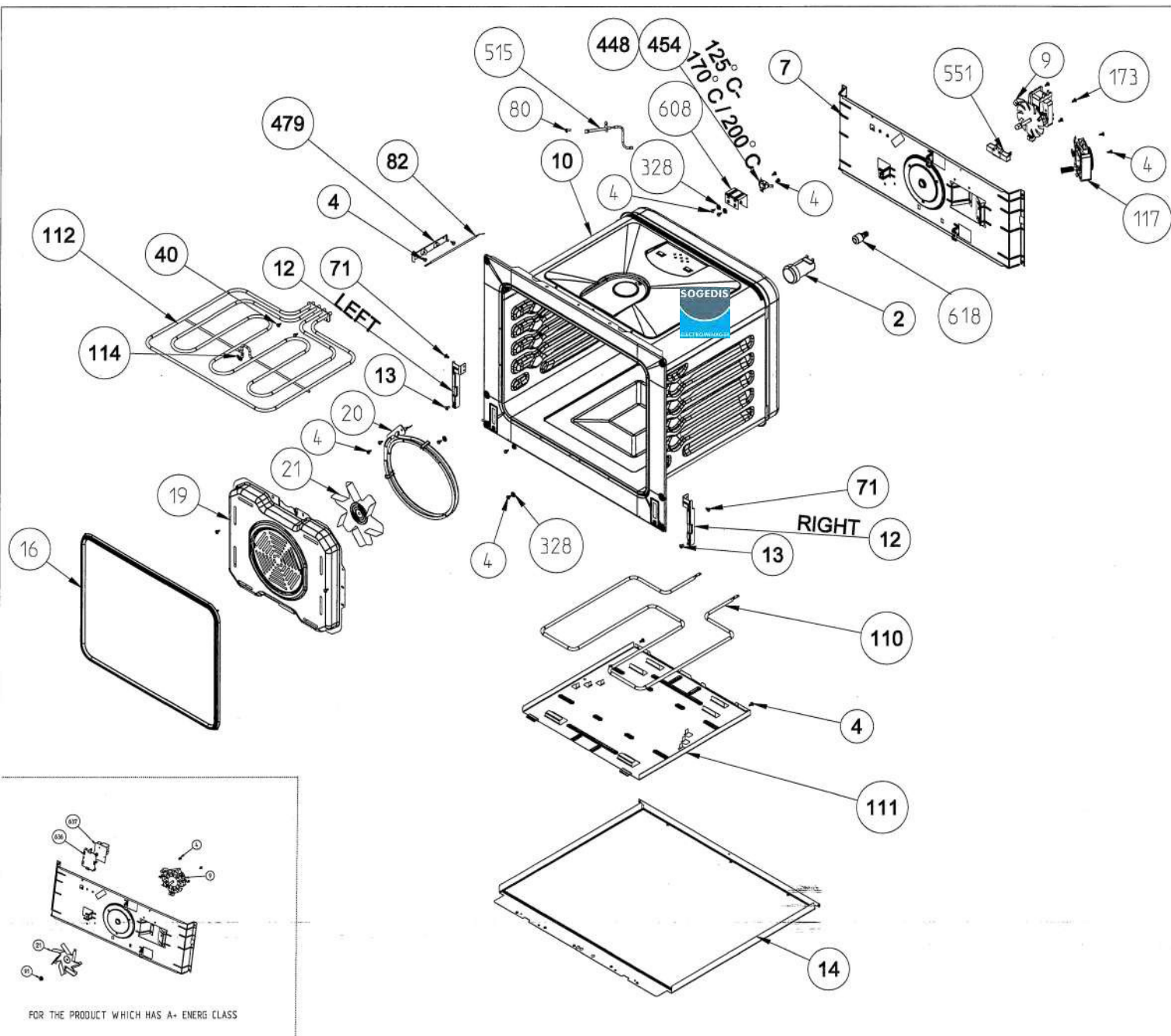
Cuisinière induction

ECI602B

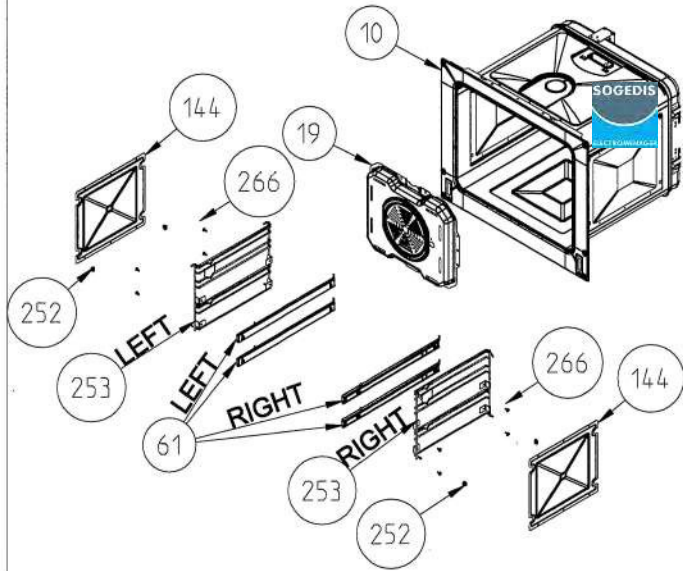


Vue éclatée / Exploded view

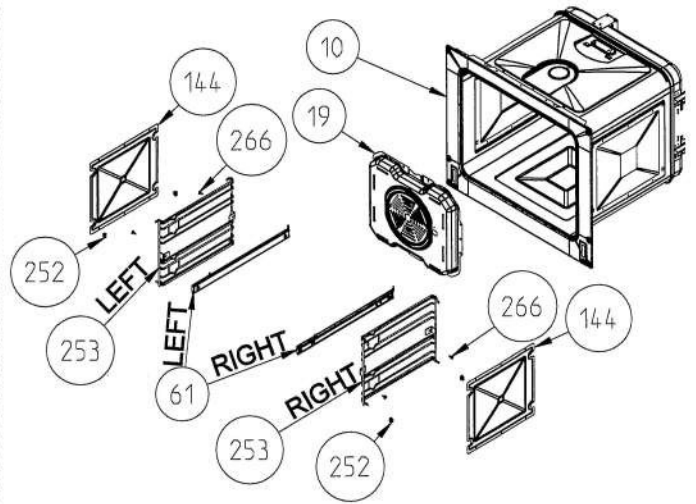
8007289



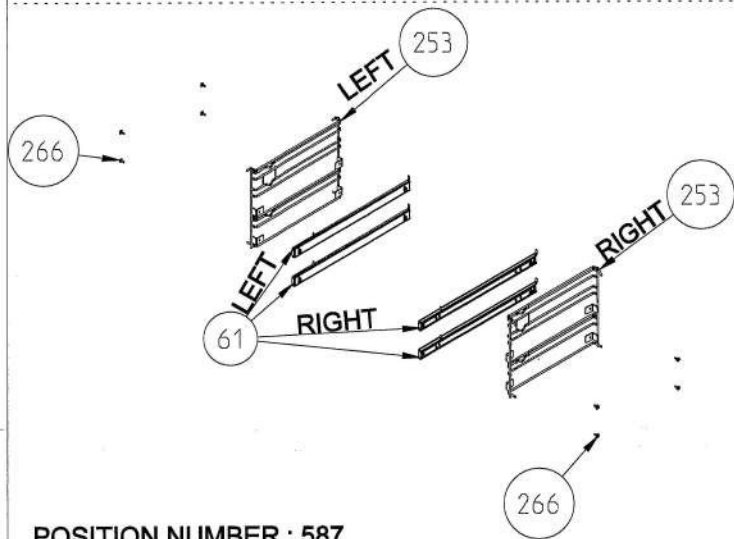
EXPLODED VIEW -CAVITY ASSEMBLY



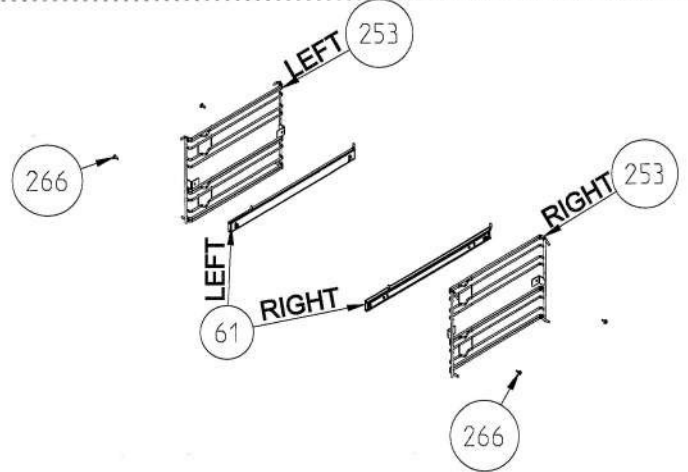
**WIRE SHELF CAVITY ASSEMBLY
WITH/ WITHOUT CATALYTIC PANEL
OPTIONAL:DOUBLE TELESCOPIC RAIL (R / L)**



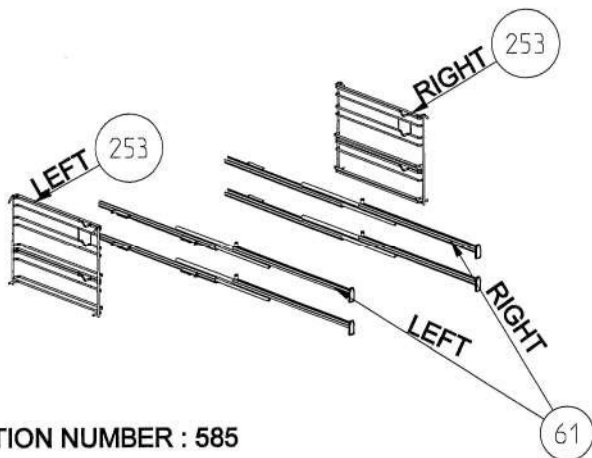
**WIRE SHELF CAVITY ASSEMBLY
WITH/ WITHOUT CATALYTIC PANEL
OPTIONAL:TELESCOPIC RAIL (R / L)**



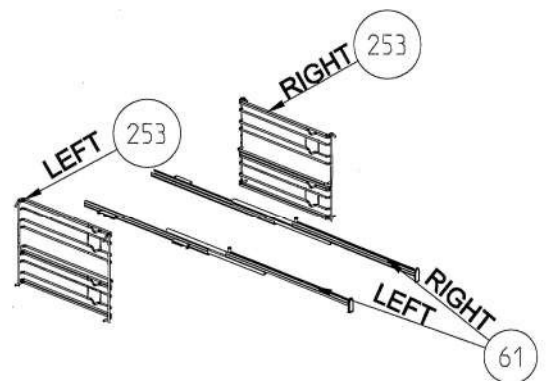
**POSITION NUMBER : 587
WIRE SHELF (SINGLE EXTENSION)
OPTIONAL:DOUBLE TELESCOPIC RAIL (R / L) GROUP**



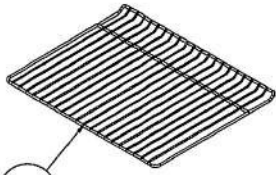
**POSITION NUMBER :588
WIRE SHELF (SINGLE EXTENSION)
OPTIONAL: SINGLE TELESCOPIC RAIL (R / L) GROUP**



**POSITION NUMBER : 585
WIRE SHELF (FULL EXTENSION)
OPTIONAL:DOUBLE TELESCOPIC RAIL (R / L) GROUP**

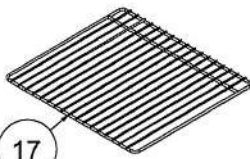


**POSITION NUMBER: 586
WIRE SHELF (FULL EXTENSION)
OPTIONAL: SINGLE TELESCOPIC RAIL (R / L) GROUP**



17

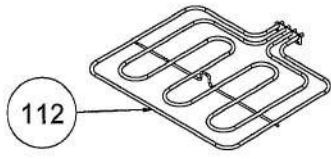
LOCKED



17

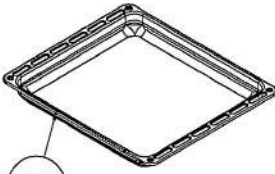
W. TELESCOPIC RAIL

GRID (OPTIONAL)



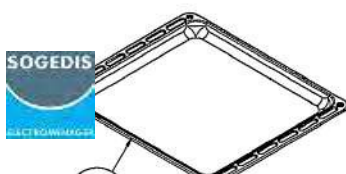
112

TOP AND GRILL HEATING ELEMENT (OPTIONAL)



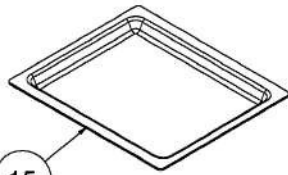
15

DEEP



15

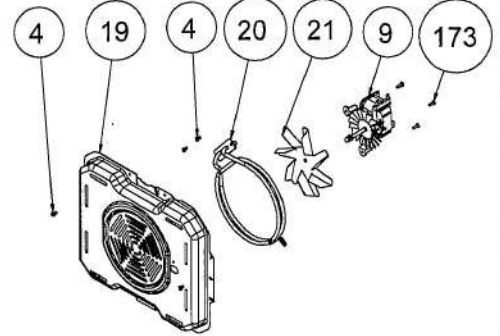
SHALLOW



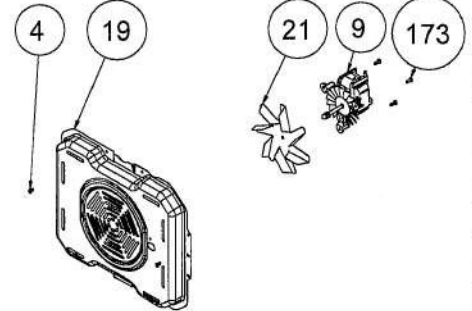
15

GLASS

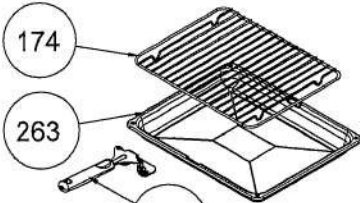
TRAYS (OPTIONAL)



RING HEATING ELEMENT WITH FAN (OPTIONAL)



(FAN COVER/ FAN IMPELLER(6 WINGS) / FAN MOTOR) (OPTIONAL)

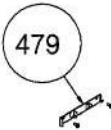


174

263

264

GRILL PAN AND HANDLE SET (TRAY SET FOR GRILL) - POSITION NO 265 (OPTIONAL)

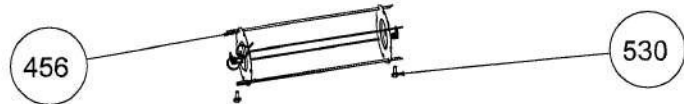


479



116

TURNSPIT SKEWER



456

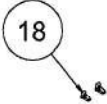
530

SHISH KEBAB ACCESSORY (OPTIONAL)



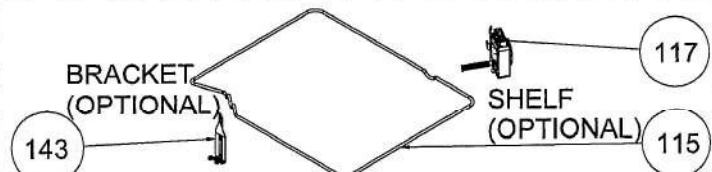
106

DEEP TRAY GRID (OPTIONAL)



18

THERMST BULB HOLDER/BACKET



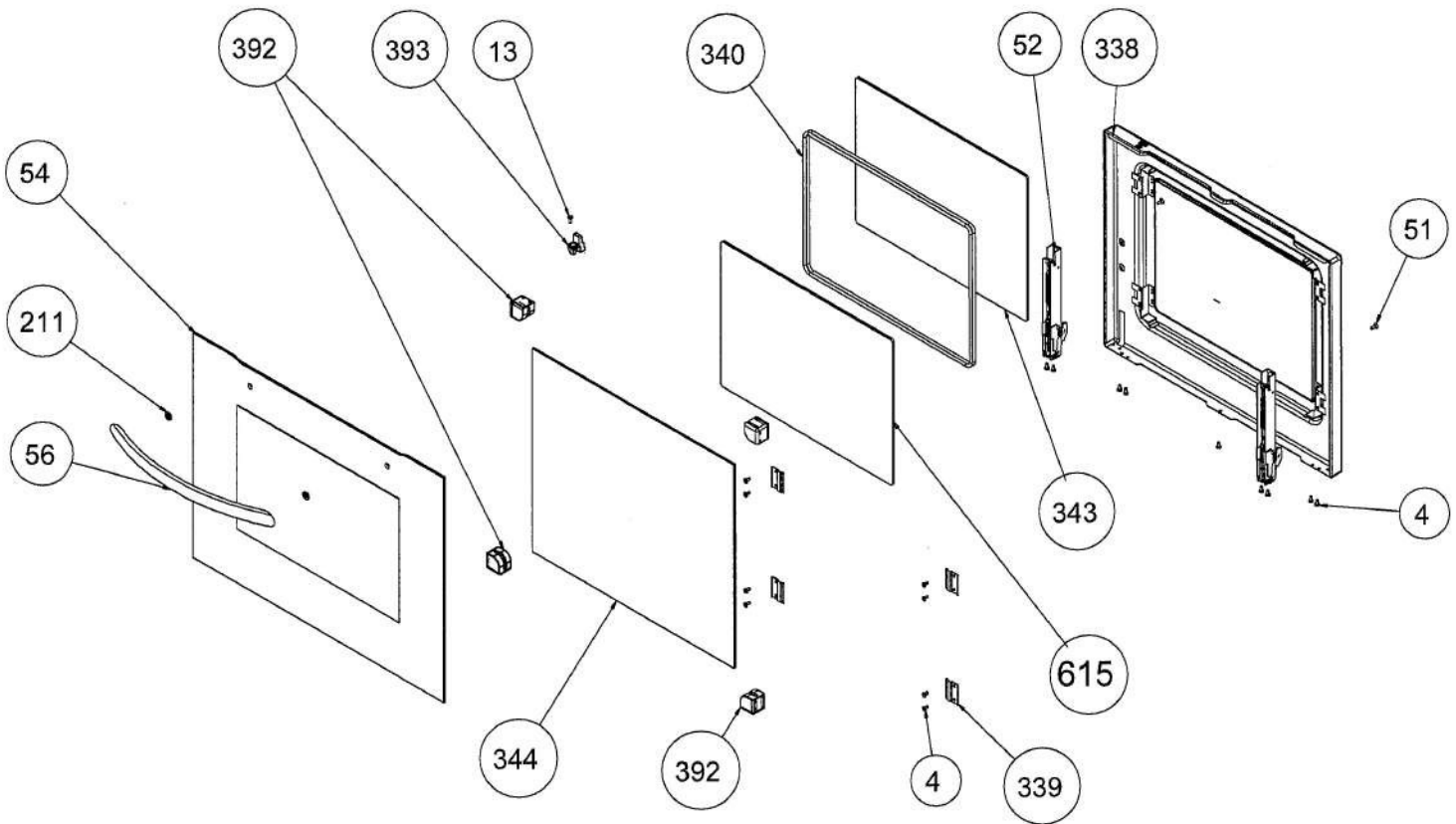
143

117

115

TURNSPIT (OPTIONAL)

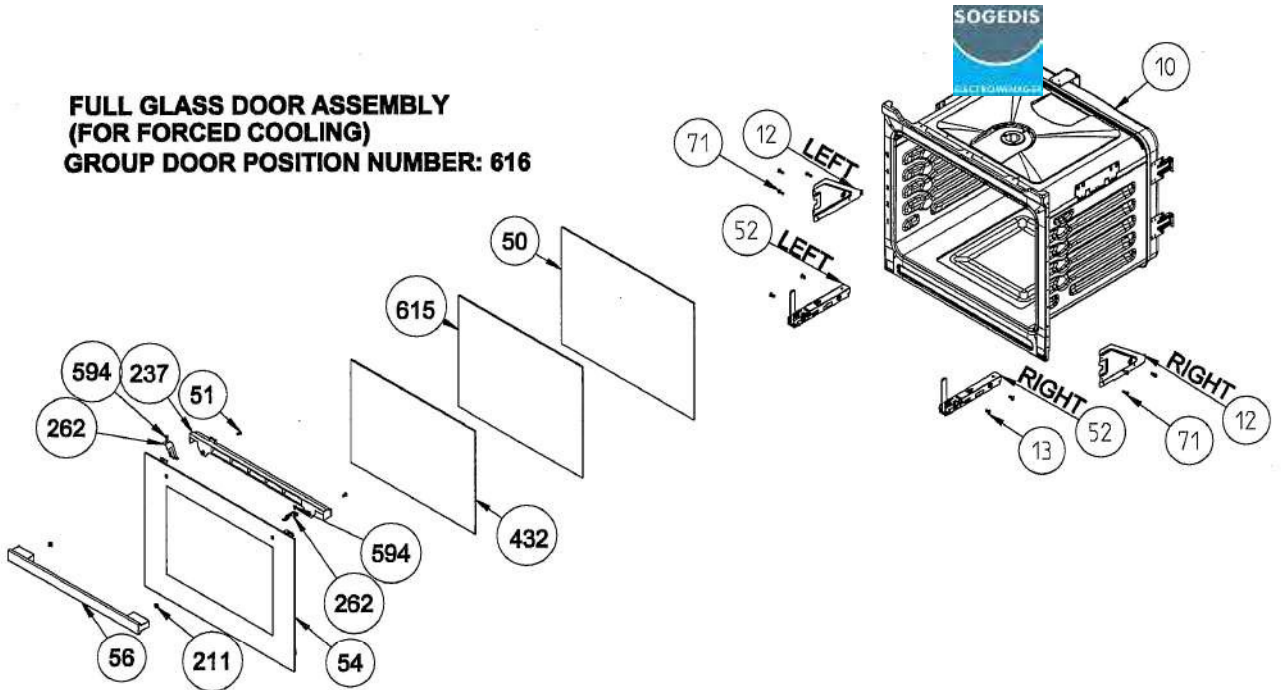
EXPLODED VIEW - CAVITY ASSEMBLY



OVEN DOOR ASSEMBLY (OUTER & INNER)
(POSITION NO 378)

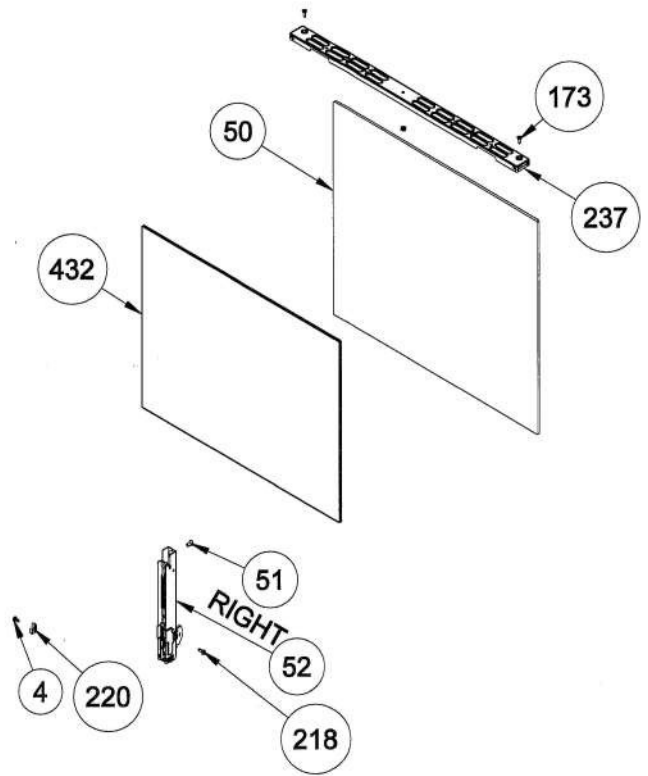
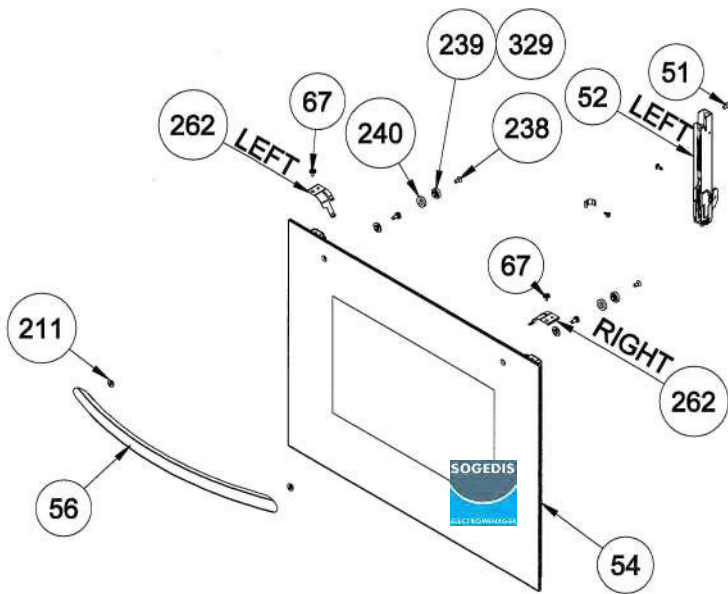
FULL GLASS DOOR ASSEMBLY (FOR FORCED COOLING)

**FULL GLASS DOOR ASSEMBLY
(FOR FORCED COOLING)
GROUP DOOR POSITION NUMBER: 616**

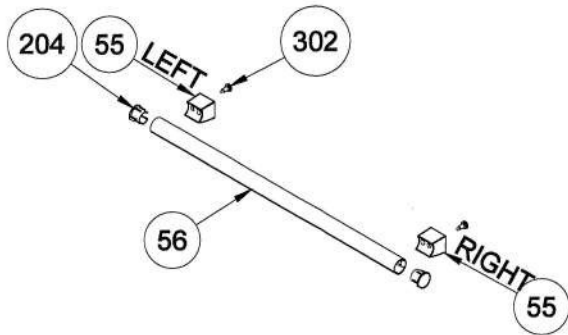


OVEN DOOR ASSEMBLY EXPLODED VIEW (OPTIONAL)

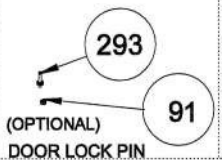
POSITION
NUMBER :377
(DOOR)



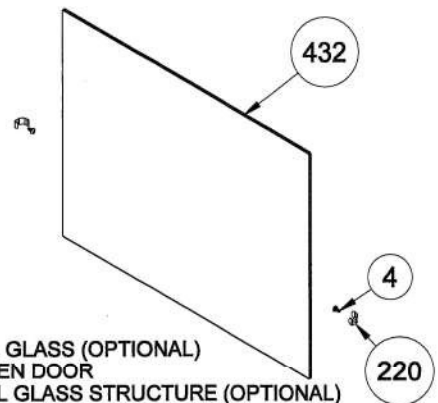
Note :
220,239,240,432 is for Removable Third Glass Version
262,67 is for Removable Glass Versions



HANDLE BODY WITH
HANDLE BRACKET (OPTIONAL)



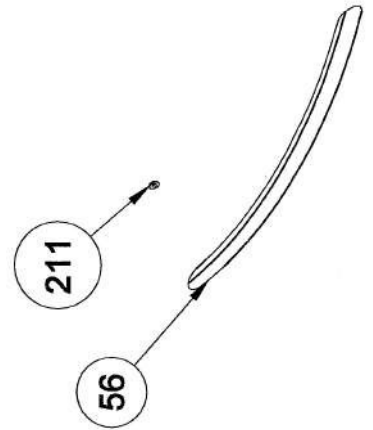
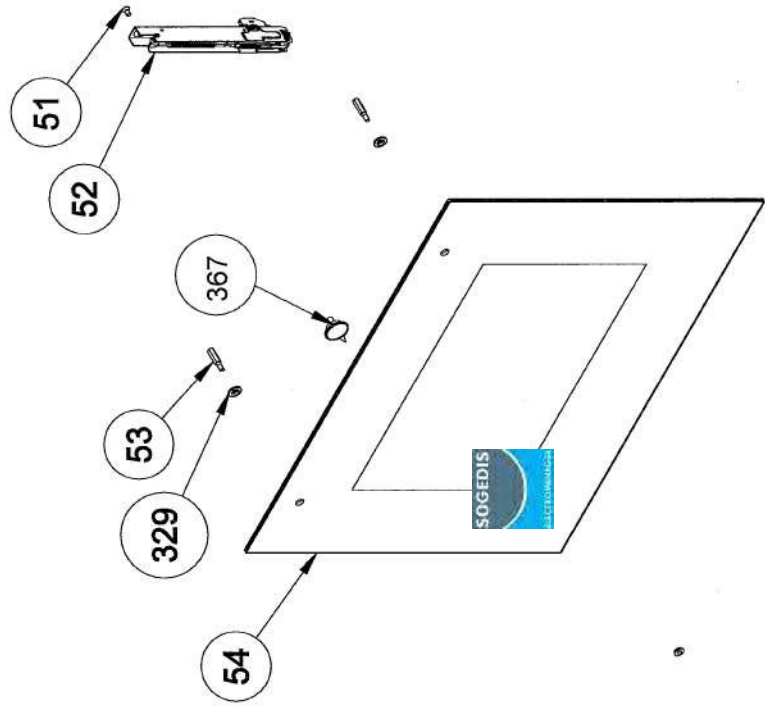
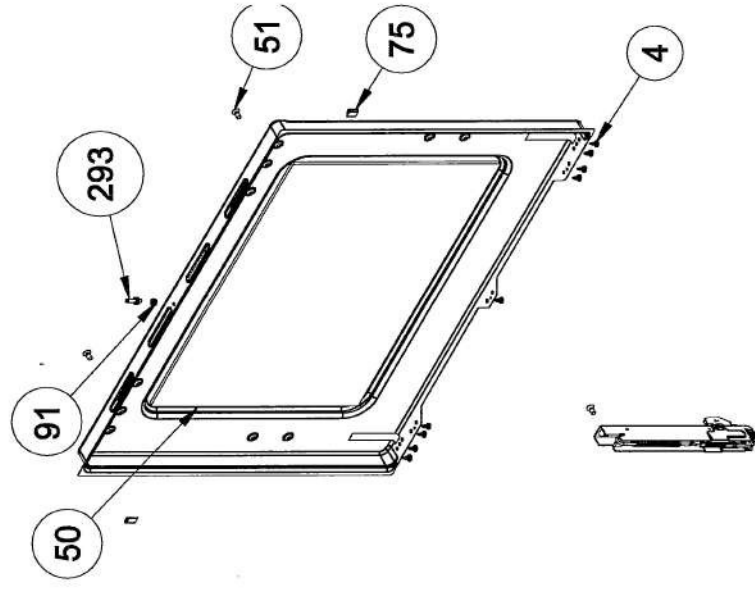
(OPTIONAL)
DOOR LOCK PIN



INTERVAL GLASS (OPTIONAL)
ONLY OVEN DOOR
WITH FULL GLASS STRUCTURE (OPTIONAL)

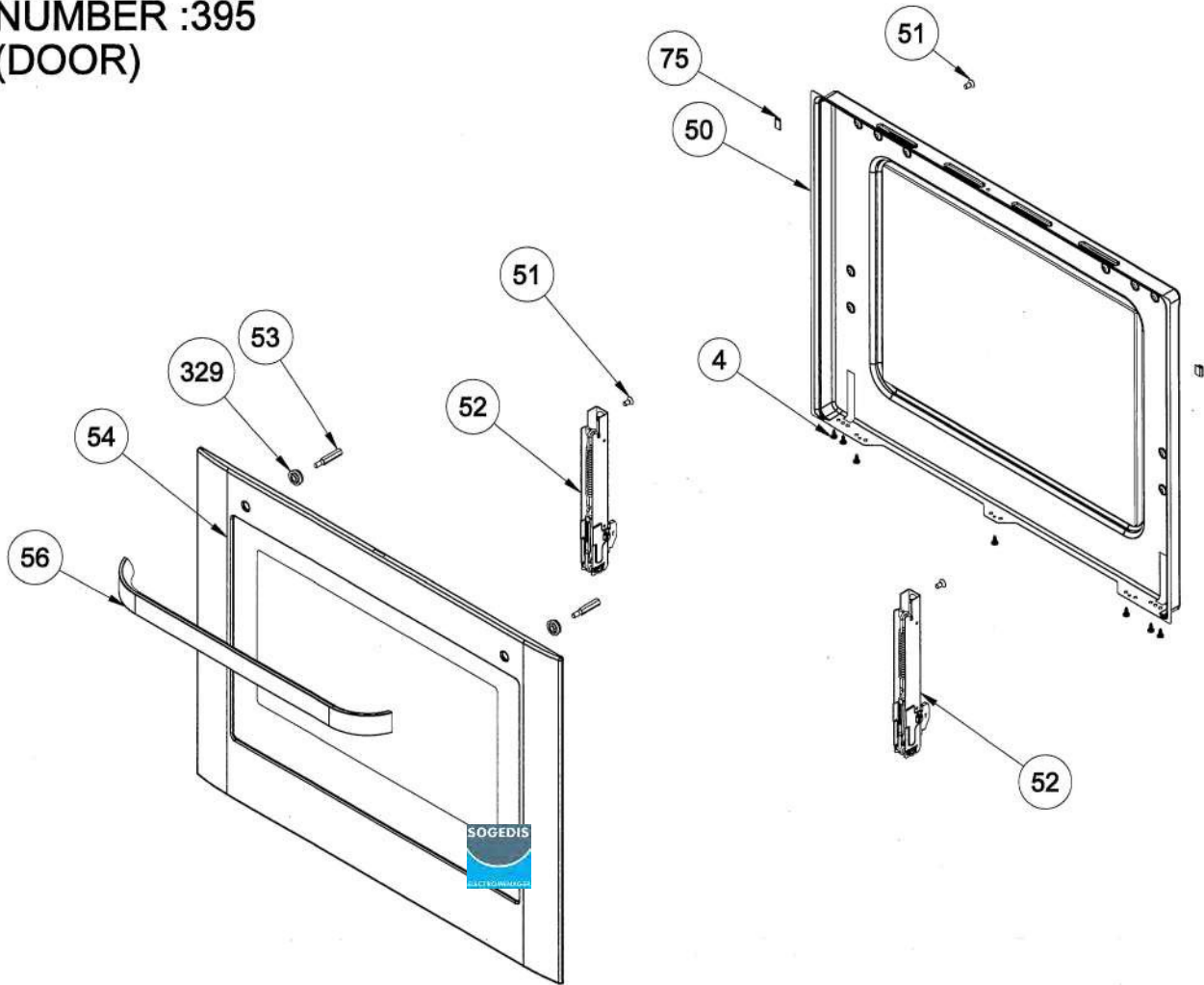
SOLID TYPE OVEN DOOR ASSEMBLY EXPLODED VIEW
(FRONT VIEW OF GLASS)
(OPTIONAL)

POSITION
NUMBER :376
(DOOR)

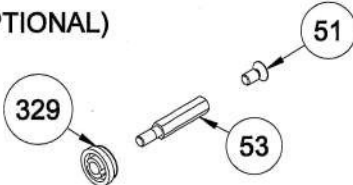


SOLID TYPE OVEN DOOR ASSEMBLY EXPLODED VIEW (FRONT VIEW OF METAL WITH GLASS) (OPTIONAL)

POSITION
NUMBER :395
(DOOR)

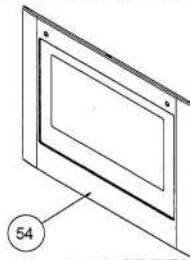


(OPTIONAL)

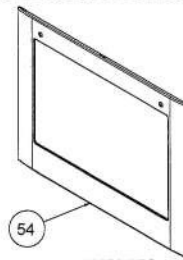


TYPE 1

HANDLE ASSEMBLY GROUP
POSITION NUMBER : 49
(OPTIONAL)



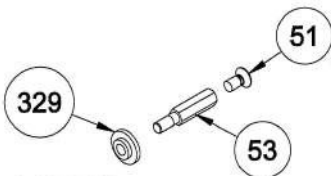
OBLIQUE AESTHETIC



FLAT AESTHETIC

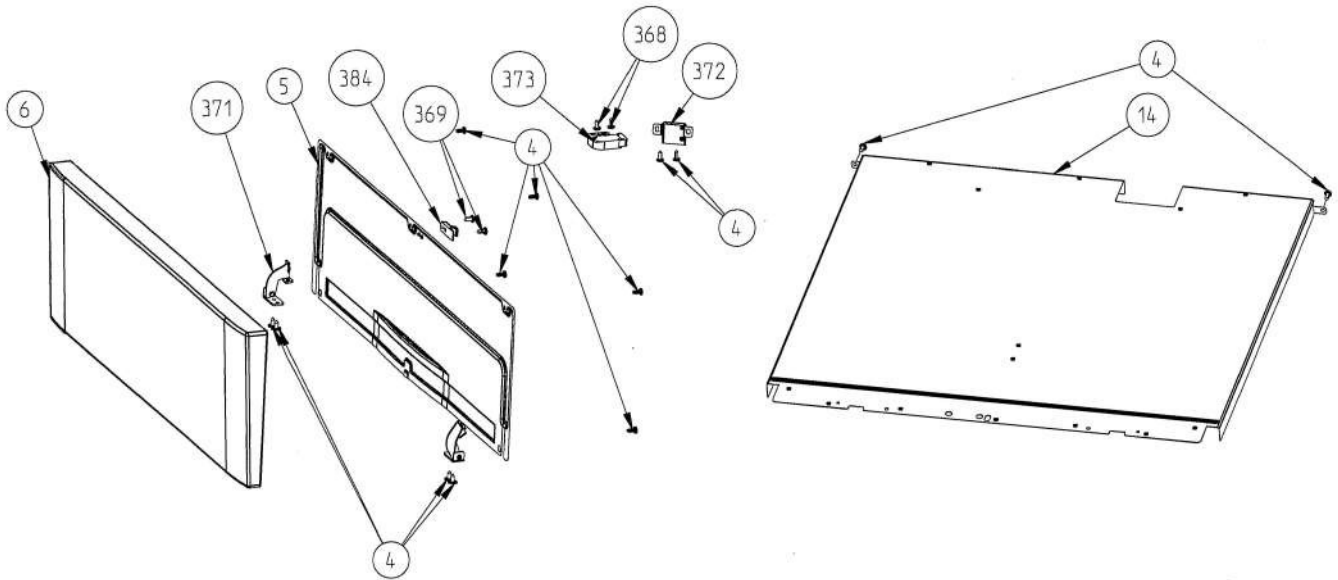
SOLID TYPE - POSITION NO 54 (OPTIONAL)

(OPTIONAL)

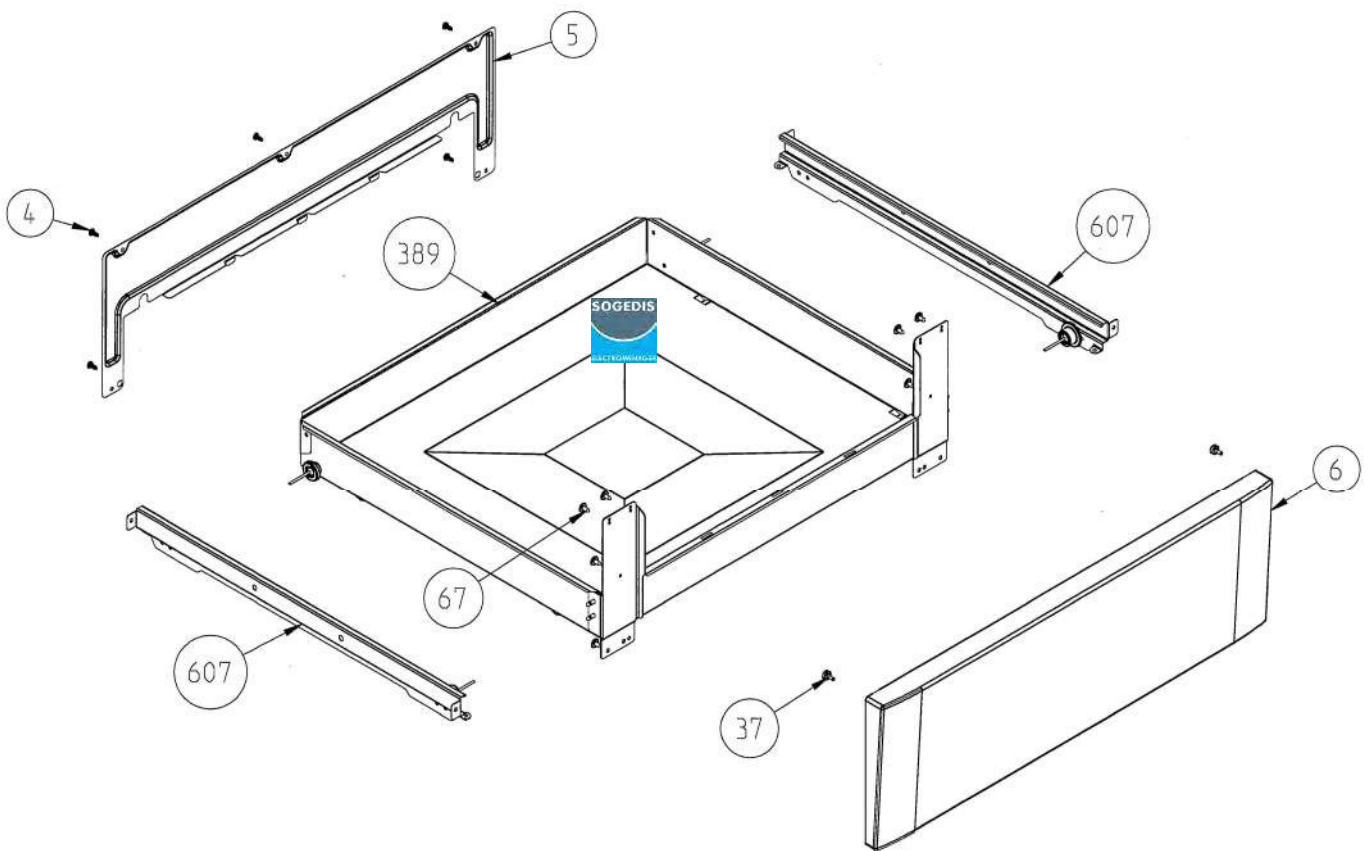


TYPE 2

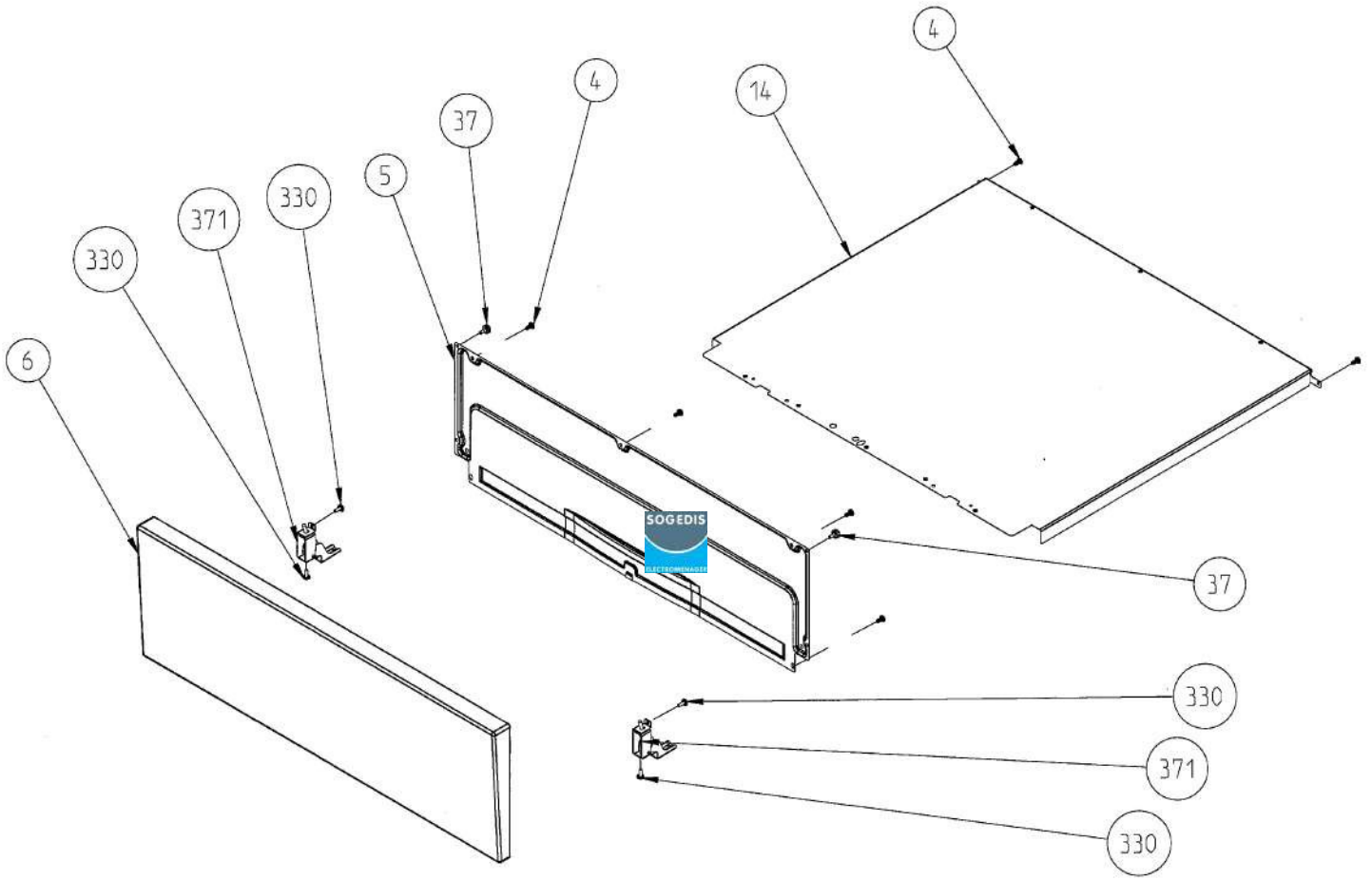
HANDLE ASSEMBLY GROUP
POSITION NUMBER : 49
(OPTIONAL)



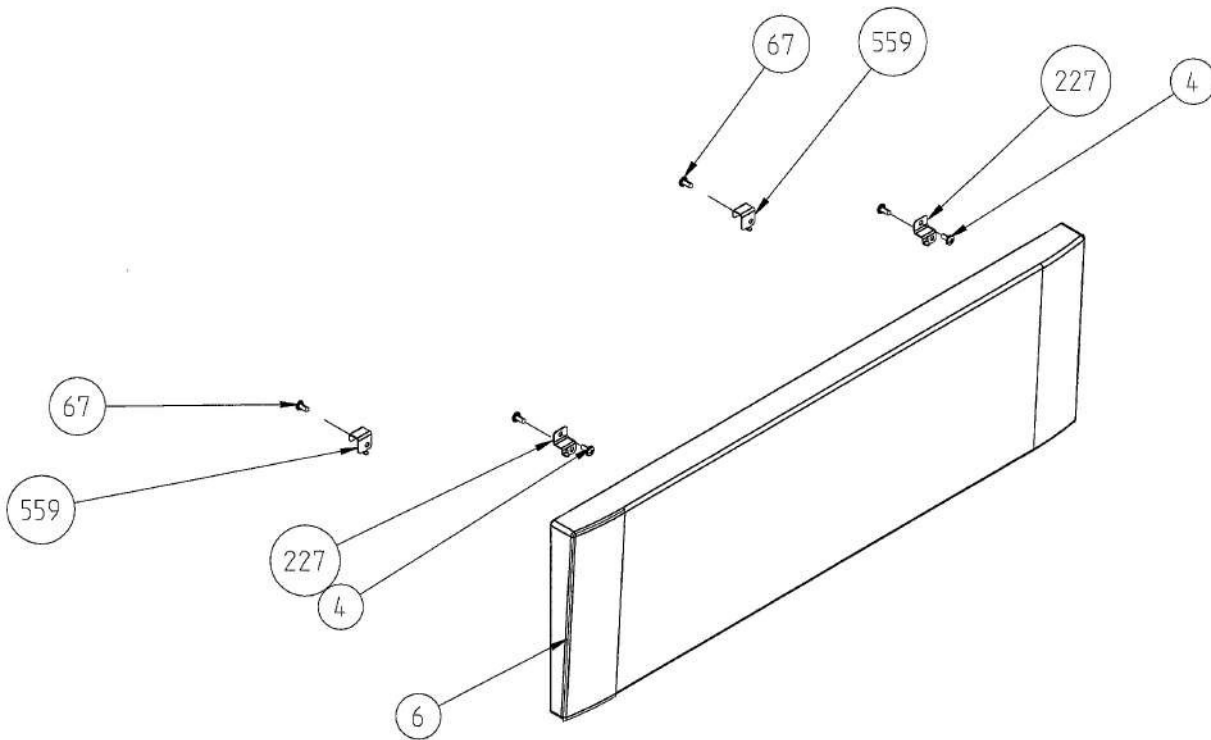
PUSH PULL FLAP DRAWER ASSEMBLY (OPTIONAL)



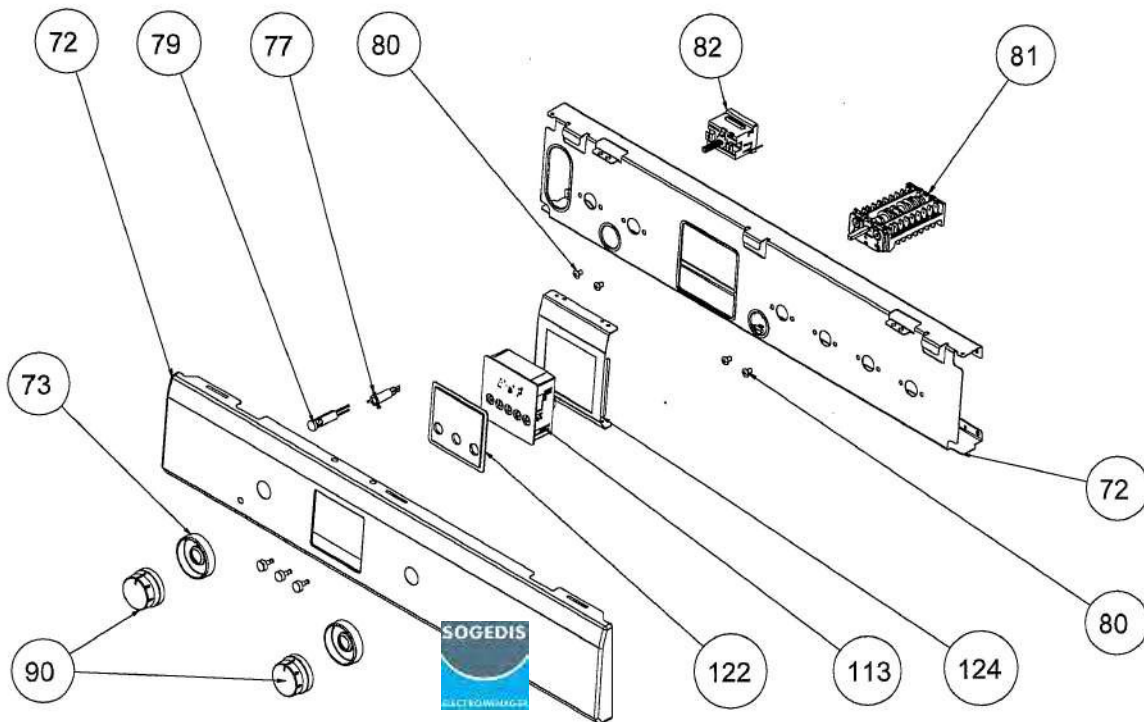
4WG DRAWER ASSEMBLY (OPTIONAL)



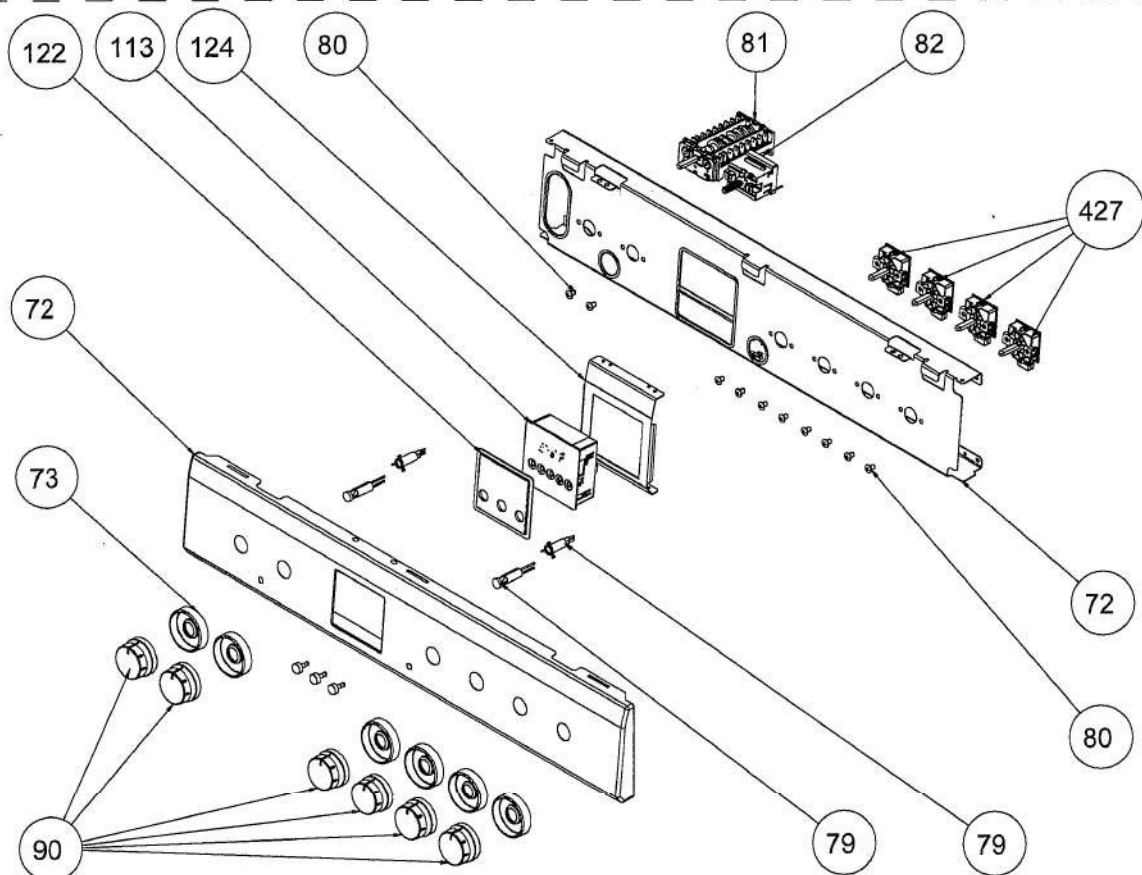
YNTB FLAP DRAWER ASSEMBLY



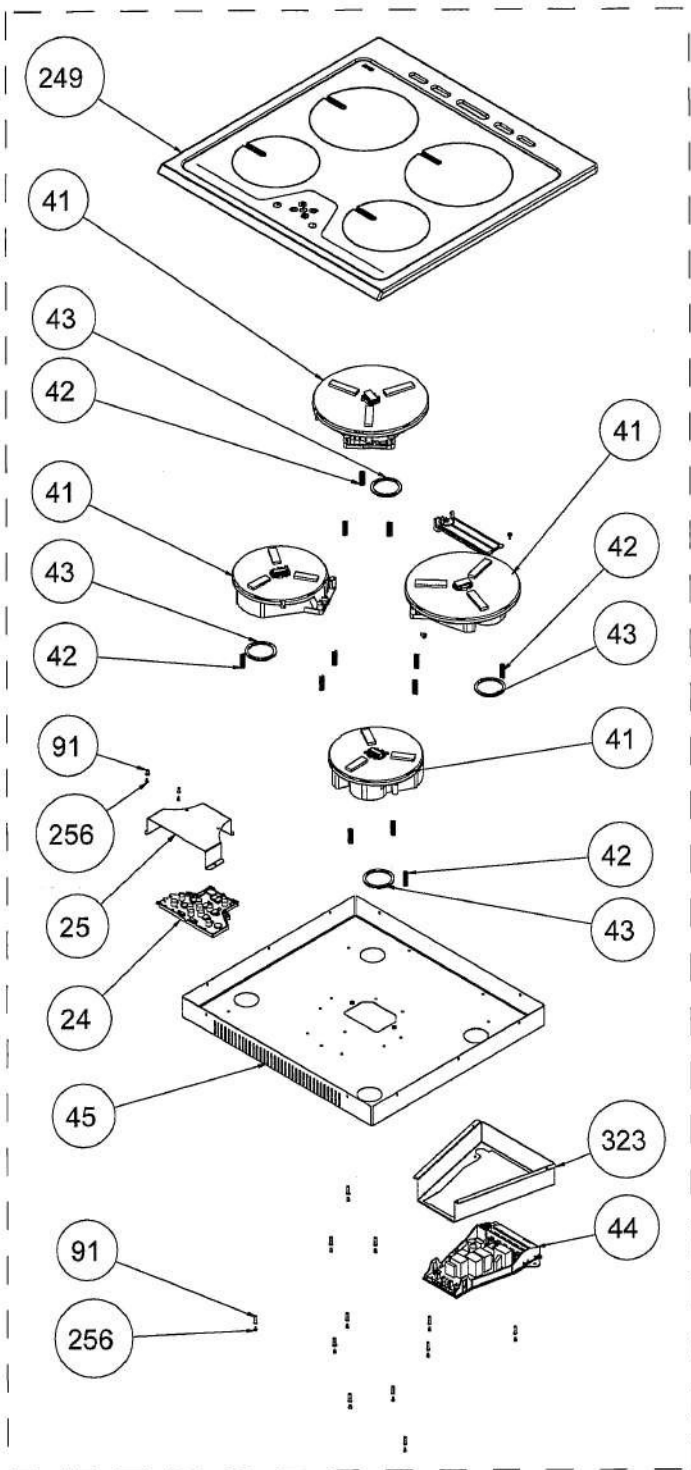
**FIXED DRAWER ASSEMBLY
(OPTIONAL)**



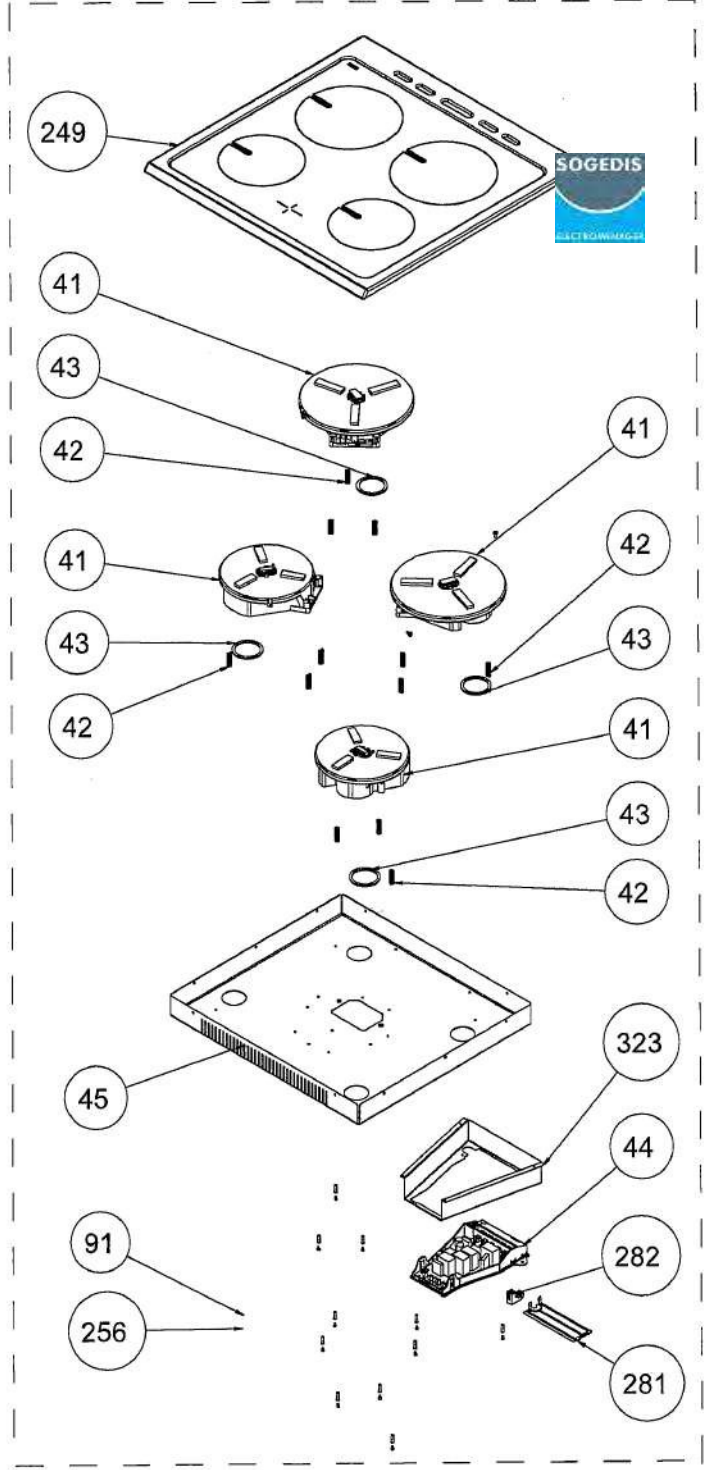
TOUCH CONTROL PANEL ASSEMBLY



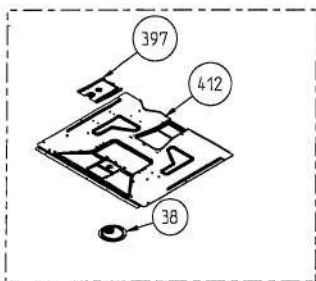
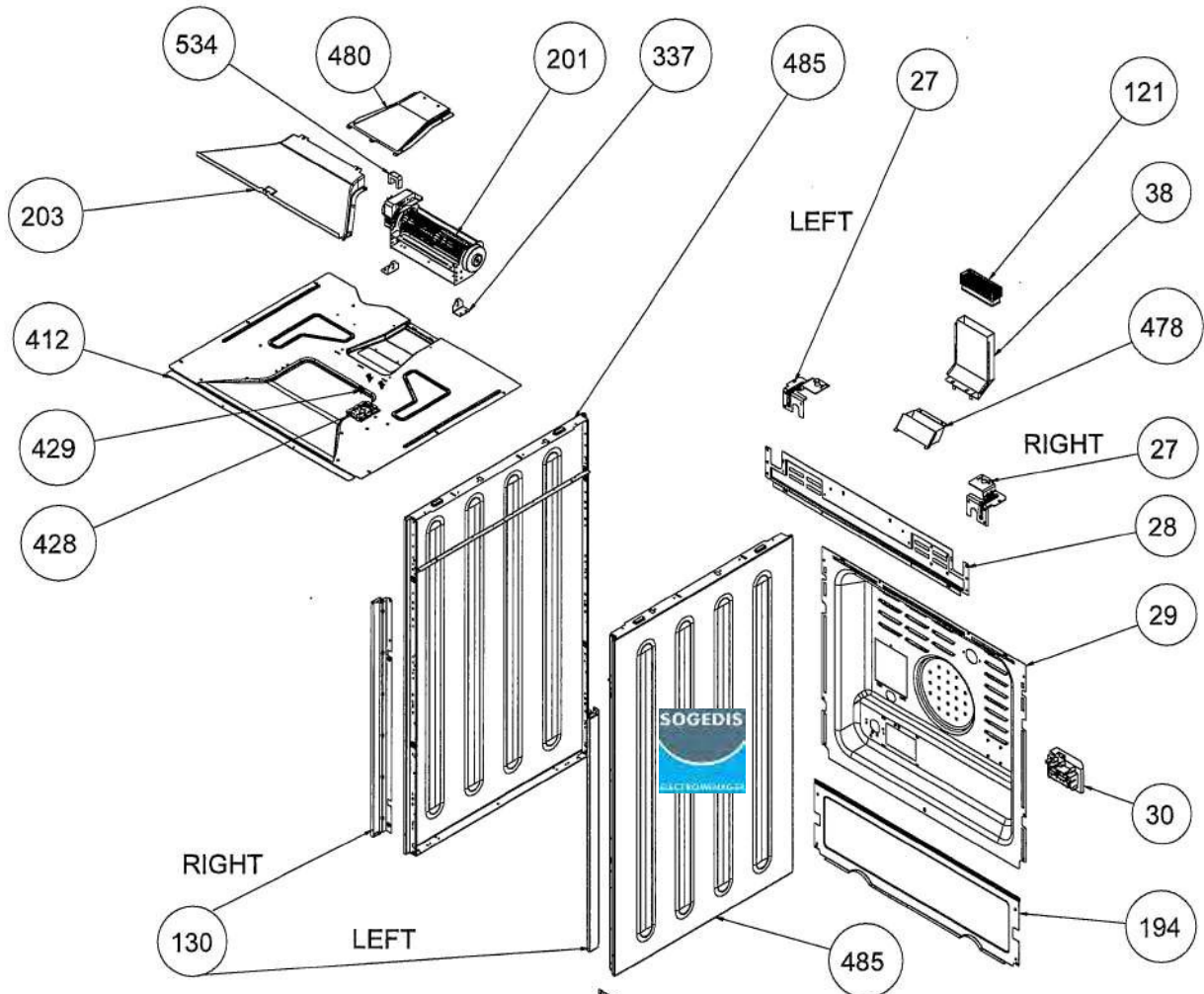
KNOB CONTROL PANEL ASSEMBLY



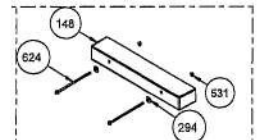
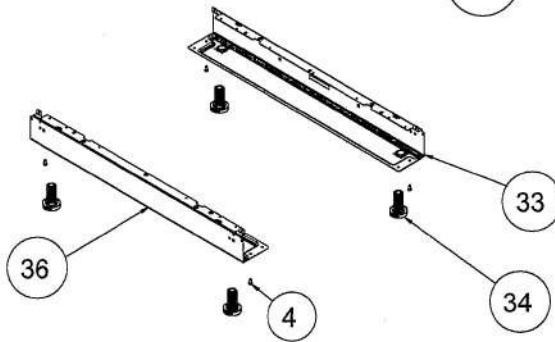
TOUCH CONTROL COOKTOP ASSEMBLY



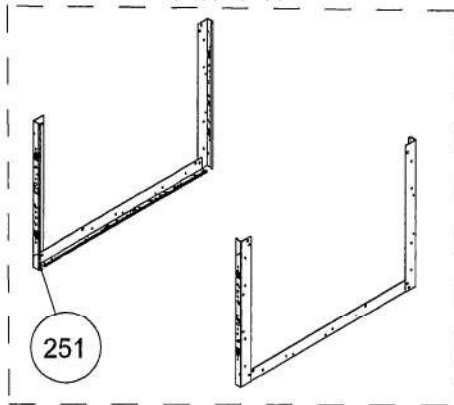
NOB CONTROL COOKTOP ASSEMBLY



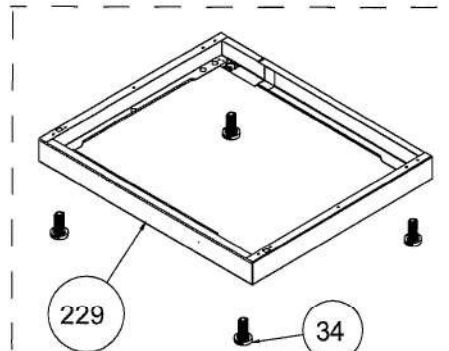
VESTEL INDUCTION EXHAUST GROUP



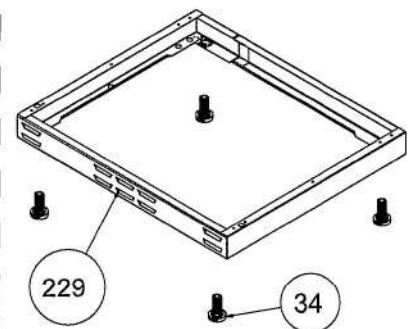
CONCRETE WEIGHT
Revision date : 01.04.2017



SIDE PANEL SUPPORT BRACKET
(ONLY FOR 85 CM)



ADDITIONAL BOTTOM SUPPORT

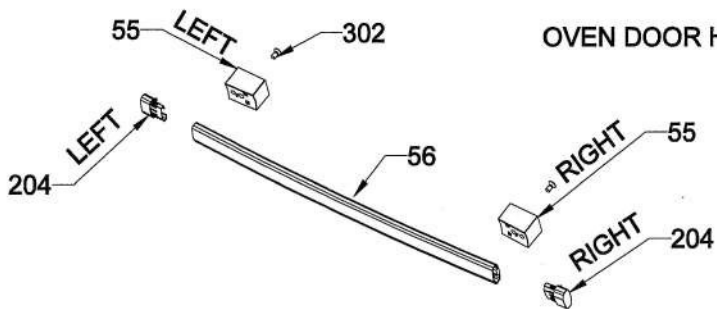


EXTRA BOTTOM SUPPORT
(WITH LOUVRES)

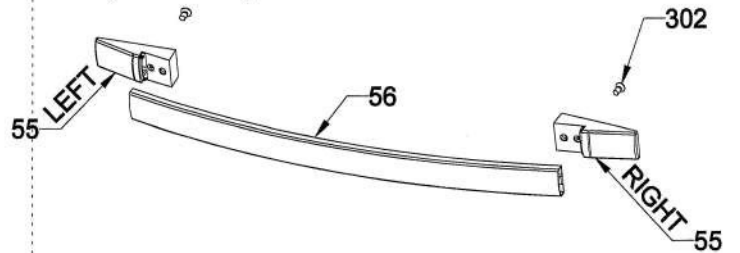
OPTIONAL (ONLY FOR FS 90 CM)

EXPLODED VIEW - SIDE PANEL ASSEMBLY

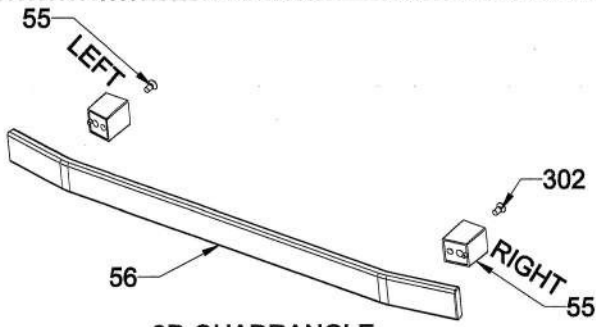
OVEN DOOR HANDLES (OPTIONAL)



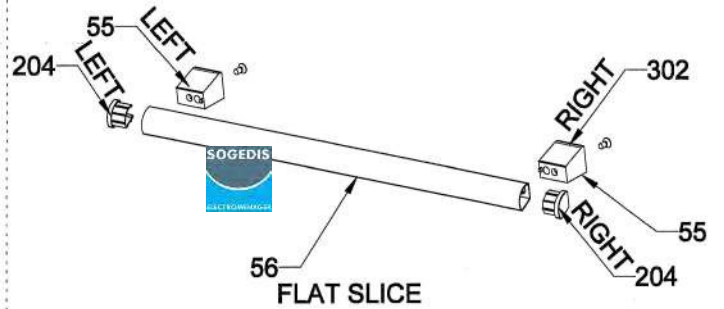
CURVED QUADRANGLE



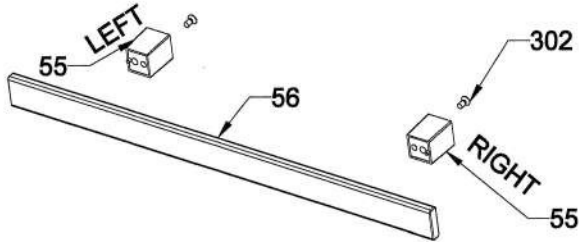
ARC QUADRANGLE



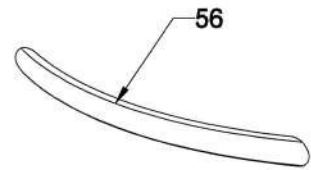
3D QUADRANGLE



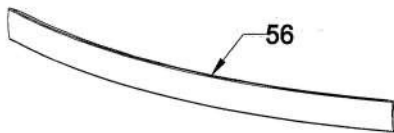
FLAT SLICE



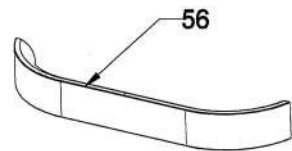
FLAT QUADRANGLE



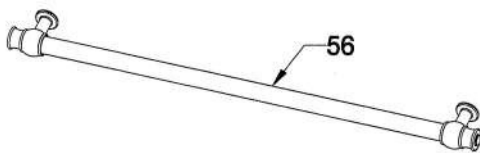
ELLIPSE ARC



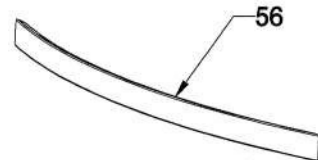
D PROFILE ARC, ELECTROLUX



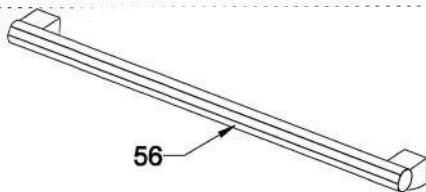
BOW



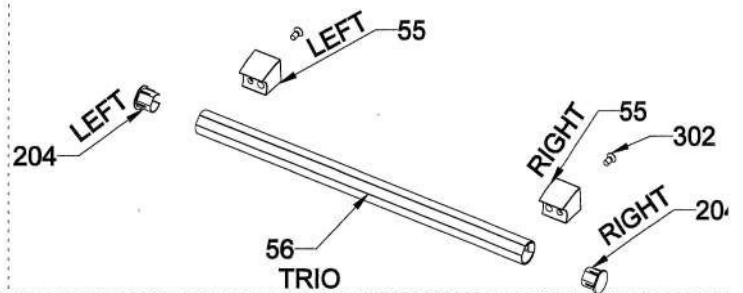
RUSTIK RISUS



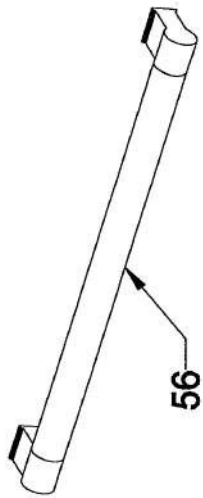
D PROFILE ARC



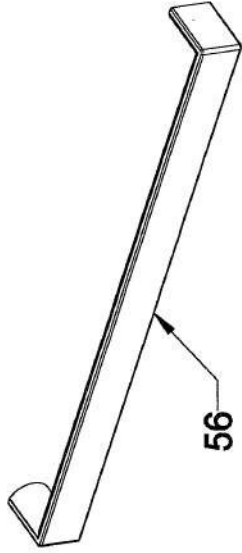
METALUX



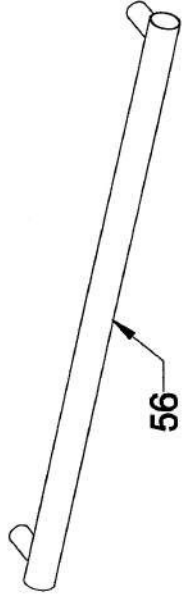
TRIO



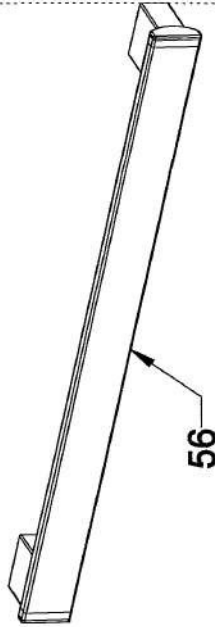
TROY



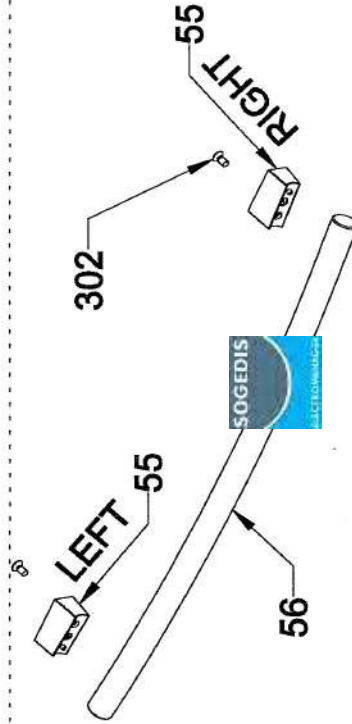
VERO



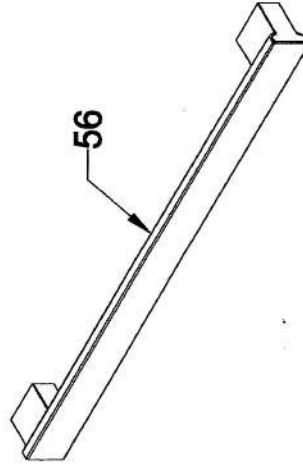
CYLINDER



JUNO VESTEL ONLY

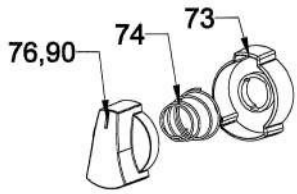


ARC TUBE

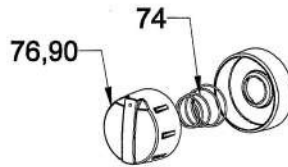


TITAN VESTEL & SHARP ONLY

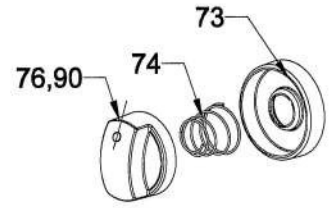
KNOBS (NEW FREESTANDING OVEN ONLY - OPTIONAL)



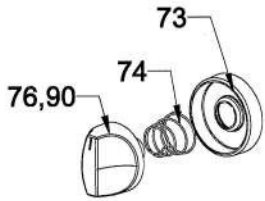
DELTA RING



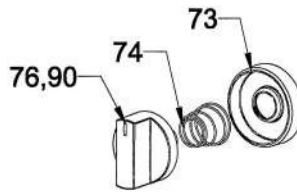
ANTERO



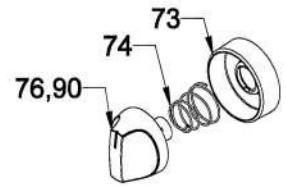
ECLIPSE RING



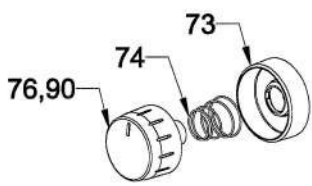
GAMA RING



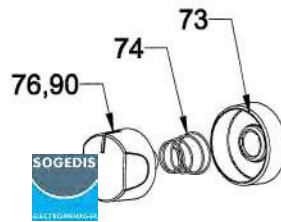
NORD RING



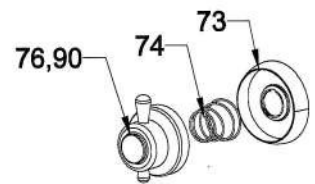
PELGIRIM



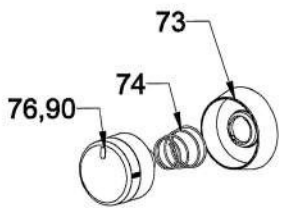
OMEGA



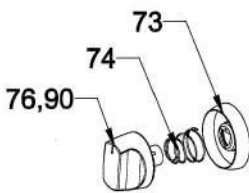
RIMO RING



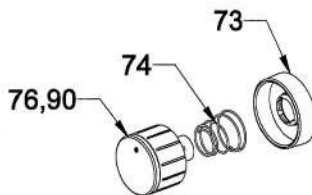
RUSTIK RISUS RING



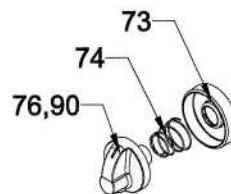
SIGMA



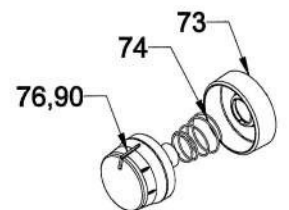
TRIO



SMALL MACRO RING



VARIO RING



SPEKTRUM



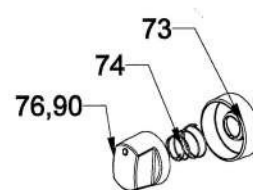
AGA CLASSIC ONLY



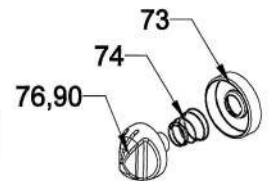
AGA KITCHENER ONLY



AGA PROFESSIONAL ONLY



VESTA



ZETA RING

ESSENTIEL B ECI602B			10729032
REF VUE	REF PIECE	DESIGNATION	maj 02/2022 QTE
2	32011563	DOUILLE C AMPOULE FOUR COMPLET	
2a	32028949	AMPOULE C 25W E14 300°C	
4	37002138	VIS C	
4	37002148	VIS C	
4	37019096	VIS C SUPPORT RESISTANCE SUP	
5	22023786	CONTRE PORTE C FACADE SOUS FOUR	
6	22023043	FACADE C SOUS FOUR BL	
7	20756958	TOLE C	
9	32032644	MOTEUR F VENTILATEUR CHALEUR TOURNANTE 28W	
10	20860002	MOUFLE C	
12	37016814	SUPPORT F CHARNIERE 65L DROITE	
12	37016815	SUPPORT F CHARNIERE 65L GAUCHE	
13	37002589	VIS C	
14	22077739	TOLE C INF	
15	20757233	LECHEFRITE F 465*380*40	
16	42200655	JOINT F MOUFLE	
16	42275280	JOINT F MOUFLE	production 916781
17	37032903	GRILLE C FOUR 465*383 65/75L	
19	20757232	TOLE F PROTECTION FOND VENTILATEUR CT	
20	32041479	RESISTANCE F RONDE 2000W 230V	
21	37033120	TURBINE C MOTEUR TANGENTIEL NM D=120mm	
27	20725697	CORNIERE C ARRIERE DROITE	
27	20725698	CORNIERE C ARRIERE GAUCHE	
28	20613047	TOLE C ARRIERE SUP	
29	22111883	TOLE C ARRIERE	
30	32001517	BORNIER C ALIM	
32	20613153	PANNEAU C BL G OU D	
33	22040830	PLINTHE C ARRIERE	
33	37046821	PLINTHE C ARRIERE	ap 866874
34	42006393	PIED C PLASTIQUE NOIR 50mm	
36	20613212	PLINTHE C AVANT BLANC	
37	42202609	BUTEE C PLINTHE AVANT	
37	42263290	BUTEE C PLINTHE AVANT	ap 916780
38	37025050	CONDUIT C EVAC CHALEUR	
40	37015965	VIS P	
45	37029220	TOLE C	
50	47012169	VITRE C INTERIEURE 485*428	
51	37002011	VIS C SUPPORT POIGNEE NOIRE	
51	37026148	VIS C POIGNEE	
52	37032472	CHARNIERE C PORTE M07	
53	20614297	ENTRETOISE C POIGNEE FOUR	
54	22119852	VITRE C EXT BLANCHE 594*453 ESSENTIEN B 420 GF	
55	42009281	SUPPORT C POIGNEE PORTE FOUR	
55	42217564	SUPPORT C POIGNEE PORTE FOUR	ap 807637
56	37023188	POIGNEE C BL FLAT QUADRANGLE 483MM (entraxe400 au pas de vis)	
56	37038461	POIGNEE C PORTE FOUR BL FLAT QUADRANGLE V2	ap 807637
70	20654237	SUPPORT C BANDEAU	
71	37023099	VIS C	
72	22120531	BANDEAU C	
73	42047136	DISQUE C MANETTE BL EPAISSEUR=10,5mm	
73	42143203	DISQUE C MANETTE BL EPAISSEUR=14mm OMEGA	ap 828293
74	37012495	RESSORT C MANETTE CONIQUE	
77	32036146	CACHE P VOYANT ROUGE	
79	32012441	VOYANT C AVEC CABLES 260mm	
80	37002003	VIS C	
81	32009169	COMMUT F MF	
81	32038577	COMMUTATEUR F MF 9+0	ap 858700
82	32010955	THERMOSTAT C FOUR 50-285°C	
90	42048261	MANETTE C BL SPEKTRUM 38*42 12h 6mm	
90	42142942	MANETTE C SPEKTRUM BL	ap 828293
91	37028756	ECROU F TURBINE VENTILATEUR PAS GAUCHE	
110	32001560	RESIST C SOLE 1100W	
111	20613033	TOLE C SUPPORT RESIST INF	
112	32040912	RESISTANCE F SUP 1400+1200W	
112	32045764	RESISTANCE F SUP 1400+1200W	ap 927164
113	32032381	PROG F	
114	37023676	SUPPORT C RESIST SUP	
114	22181195	SUPPORT F RESIST SUP	ap 855088
115	37032909	GRILLE F SUPPORT TOURNE BROCHE	
117	32012689	MOTEUR C TOURNE BROCHE 6W	
117	32043065	MOTEUR C TOURNE BROCHE	ap 906681
122	32022401	ENJOLIVEUR C PROG NOIR"+ -"	
124	42104575	SUPPORT F PROG	
130	20705423	CORNIERE C LAT DROITE BL	
130	20705424	CORNIERE C LAT GAUCHE BL	
137	42014497	BOUTON C PROG BL 12mm	
144	20811430	PANNEAU F CATALYSE LATERAL	
148	47014979	LEST C	
201	32035206	MOTEUR C VENTILATION TANGENTIEL 13W YJ48-16A-HZ01	
203	37027009	TOLE C	
204	42017436	EMBOUC C POIGNEE BL	
218	37007773	VIS C	
237	20818853	PROFIL F SUP PTE FOUR	
249	22056436	TAQUE C VITRO	
249	22225420	TAQUE C VITRO	ap 876078
252	37006985	CLIPS F GRILLE LATERALE	
253	37032905	GRILLE F LATERALE GAUCHE ou DROITE	
292	37008902	VIS C 3,9*32	
294	37008751	RONDELLE C SECURITE PORTE	
300	37027549	PROFIL C INF BANDEAU	
302	37002007	VIS F METAL	
328	37009032	RONDELLE C	
329	42019954	RONDELLE C = RONDELLE+VIS	
371	37021183	CHARNIERE C PORTE SOUS FOUR G OU D	
385	37012990	CLIPS C FIXATION TAQUE	
412	37027011	TOLE C SUP	
448	32031722	THERMOSTAT F SECURITE 200°C T1/33 250V 16A	
448	32031722	THERMOSTAT F SECURITE 200°C T1/33 250V 16A	
479	37016061	SUPPORT C BULBE THERMOSTAT ELECTRIQUE	
485	20748977	PANNEAU C BL G OU D	
517	32034293	PLATINE C COMMANDE 4H FR26 23390751	
518	32029148	INDUCTEUR P 160mm 1400w (booster 1800w)	
518	32031999	INDUCTEUR P 210mm JAVA 30098002 DST2033-4207 ACO702	
519	32029247	VENTILATEUR P	
521	32023787	SUPPORT F CABLAGE	
523	35005311	VIS P 5*6	
531	37018880	ECROU C M5	
536	37000156	VIS RC ENJOLIVEUR DISPLAY	
554	32029158	CABLE P PLATINE PUISSANCE - PLATINE COMMANDE 235mm	
556	32031996	PLATINE C PUISSANCE 4I	
556	32038436	PLATINE C PUISSANCE 4I 23571529	ap 828293
557	42148147	MEUBLE P INF	
580	37025687	SUPPORT C ANTI BASCULEMENT COTE MUR	
594	37020238	VIS P 4,2*9,5	
608	37024382	SUPPORT C	
618	32028949	AMPOULE C 25W E14 300°C	
624	37029180	VIS C	
641	42165188	JOINT F ENTRETOISE VITRE INTERIEURE	
S/ref	20865908	CONDUIT C EVACUATION CHALEUR + VIS	
S/ref	37002590	SUPPORT C ISOLATION ARRIERE	
S/ref	47013141	ISOLATION F ARRIERE	
S/ref	20881372	ISOLATION C MOUFLE	
S/ref	32038132	CABLAGE C	
S/ref	32031158	CABLAGE C DESSUS + FERRIT	
S/ref	52287517	NOTICE C UTILISATION	