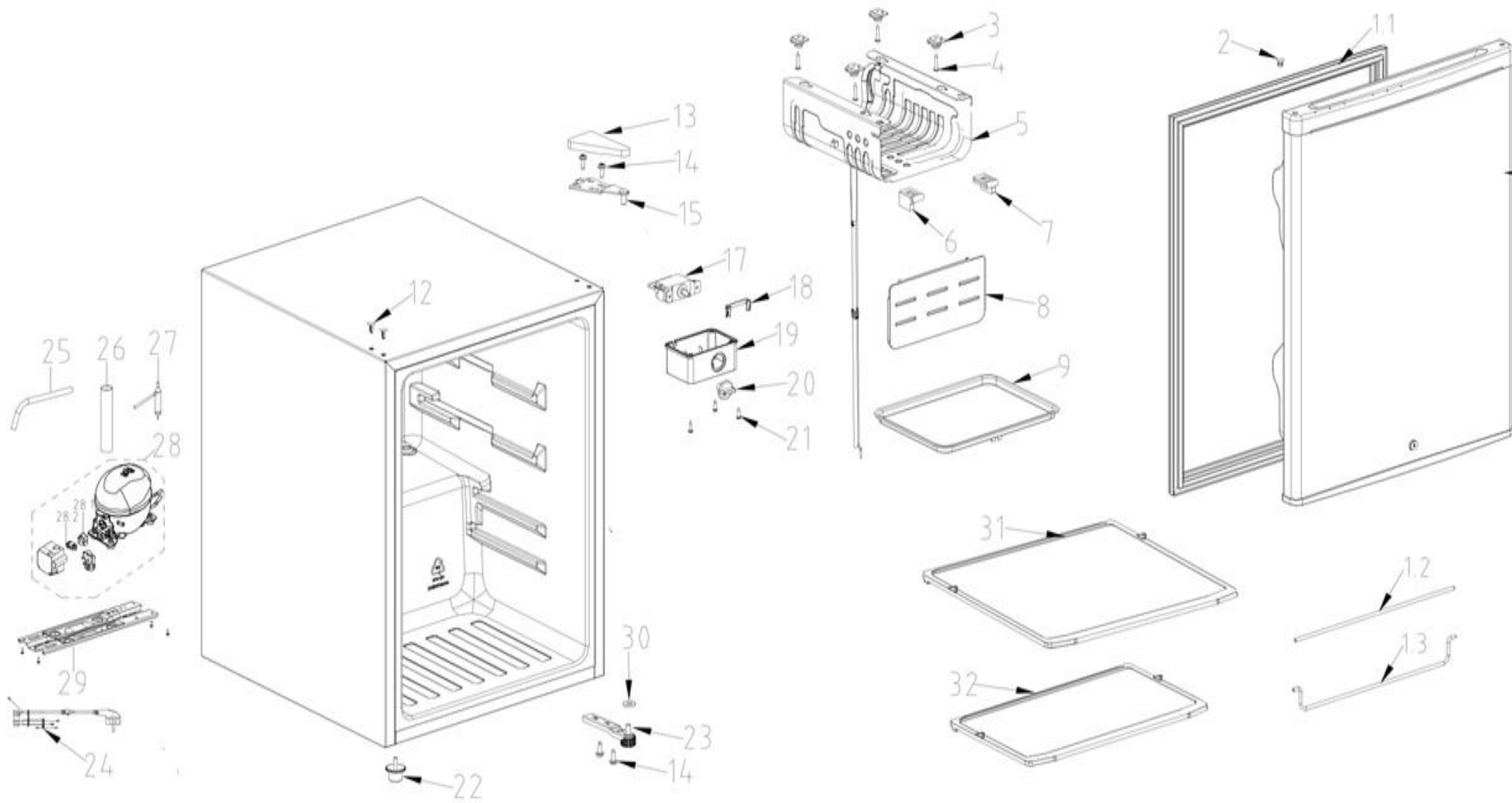


Mini congélateur ECM50-45hib2



## Mini congélateur ECM50-45hib2

N° VUE	REF PIECE	DESIGNATION (FR)	DESIGNATION (ENG)	INFORMATION
1	9016154	PORTE (REFRIGERATEUR)	Refrigerator door assembly	
1.1	9016155	JOINT (PORTE REFRIGERATEUR)	Door gasket assembly of refrigerator	
1.2	9016171	BARRE MAINTIEN (CLAYETTE SUPERIEURE)	Steel column strip	
1.3	9016172	BARRE MAINTIEN (CLAYETTE INFERIEURE)	Steel column strip	
2	9016156	CACHE TROU (PORTE REFRIGERATEUR)	Hole cap	
3	9016173	SUPPORT (EVAPORATEUR)	Supporter	
4	9016174	VIS (SUPPORT EVAPORATEUR)	tapping screw	
5	9016157	EVAPORATEUR	Refrigerator rollbond evaporator	
6	9016158	Support (porte freezer GAUCHE)	Left holder	
7	9016159	Support (porte freezer DROIT)	Right holder	
8	9016160	PORTILLON (FREEZER)	Small door panel	
9	9016175	BAC RECUPERATION EAU	Drain tray	
12	9007557	GOUPILLE	Insert pin	
13	9016162	COUVERCLE (CHARNIERE PORTE REFRIGERATEUR)	Hinge cover	
14	9011158	VIS DE VERROUILLAGE	tapping locking screw	
15	9016163	CHARNIERE SUPERIEURE (PORTE REFRIGERATEUR)	Upper hinge assembly	
17	9016164	THERMOSTAT	Ordinary type temperature controller	
19	9016165	BOITIER (THERMOSTAT)	Temperature-control box assembly	
20	9016166	BOUTON (THERMOSTAT)	Button	
21	9016050	Vis ST3,9x16-C	tapping screw	
22	9016167	PIED AJUSTABLE	Levelling feet	
23	9016168	CHARNIERE INFERIEURE (PORTE REFRIGERATEUR)	Lower hinge adjust feet assembly	
24	9004638	Cable d'alimentation	European standard power cord	
25	9007561	TUBE	Processing tubes	
26	9016176	TUYAU	Sleeve	
27	9016169	DESHYDRATEUR	Dry filter	
28	9012133	COMPRESSEUR SZ45Y1J-SCL	Fixed Speed Reciprocating Compressor	
28.1	9007563	RELAIS (COMPRESSEUR)	Starter	
28.2	9016182	PROTECTION SURCHARGE (COMPRESSEUR)	Protector	
29	9016177	TRAVERSE (COMPRESSEUR)	Compressor mounting panel	
30	9016178	ENTRETOISE (PIED AJUSTABLE)	Spacer	
31	9016179	CLAYETTE SUPERIEURE	Glass shelf assembly of refrigerator	
32	9016180	CLAYETTE INFERIEURE	Glass shelf assembly of refrigerator	

ELECTRICAL DIAGRAM

