

essentiel 

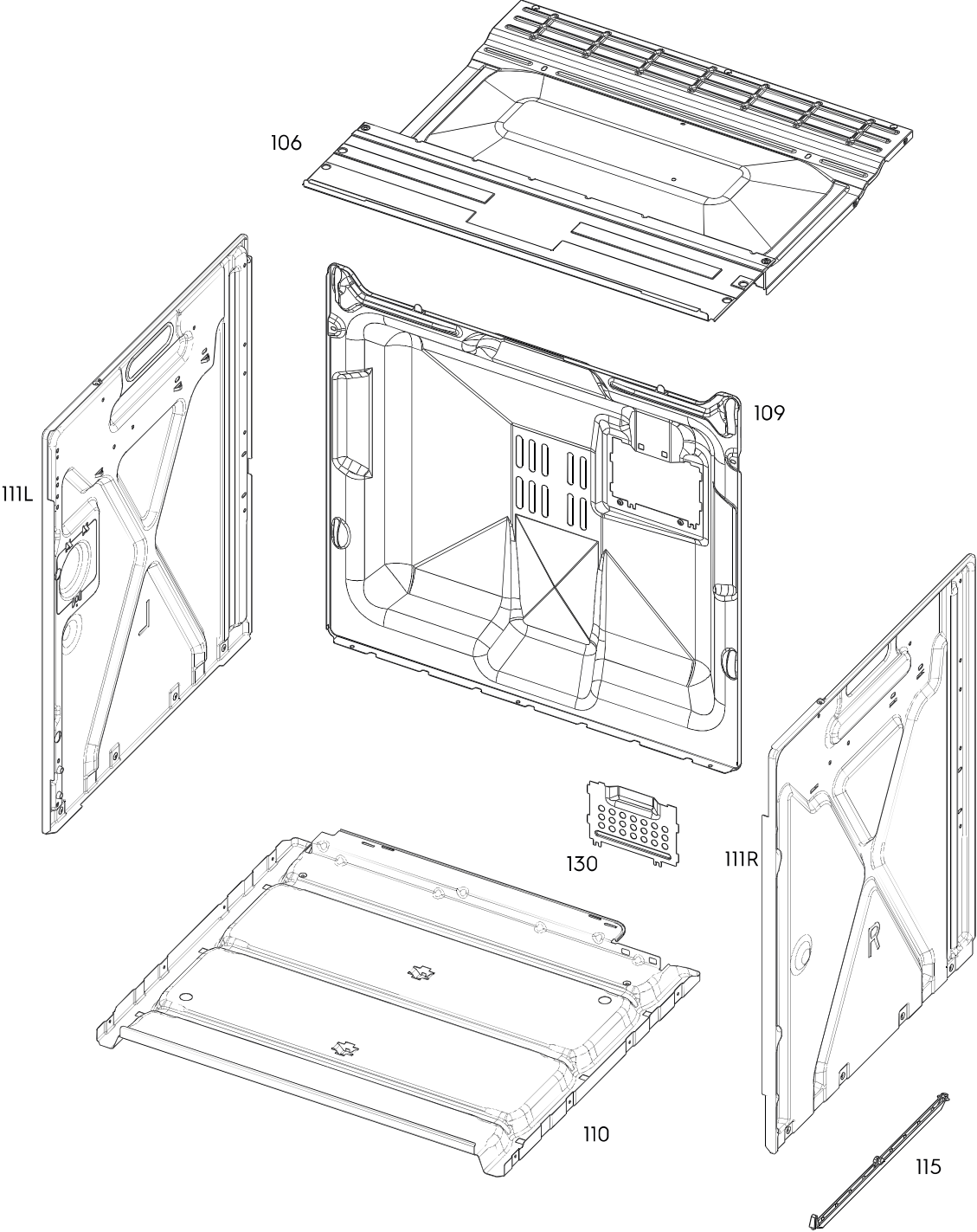
Four / Oven  
EFMP581b2



**Vue éclatée / Exploded view**

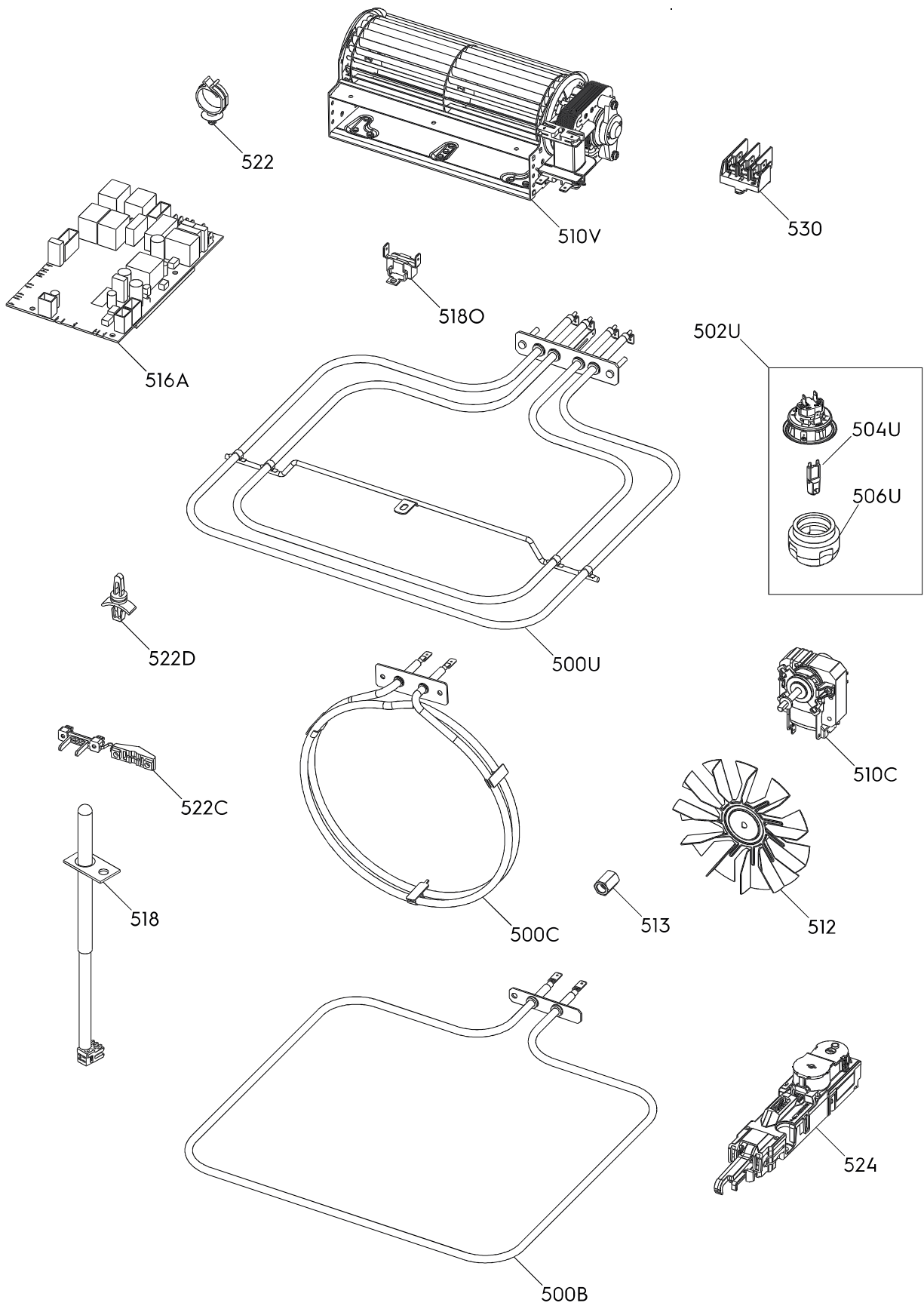
8010294

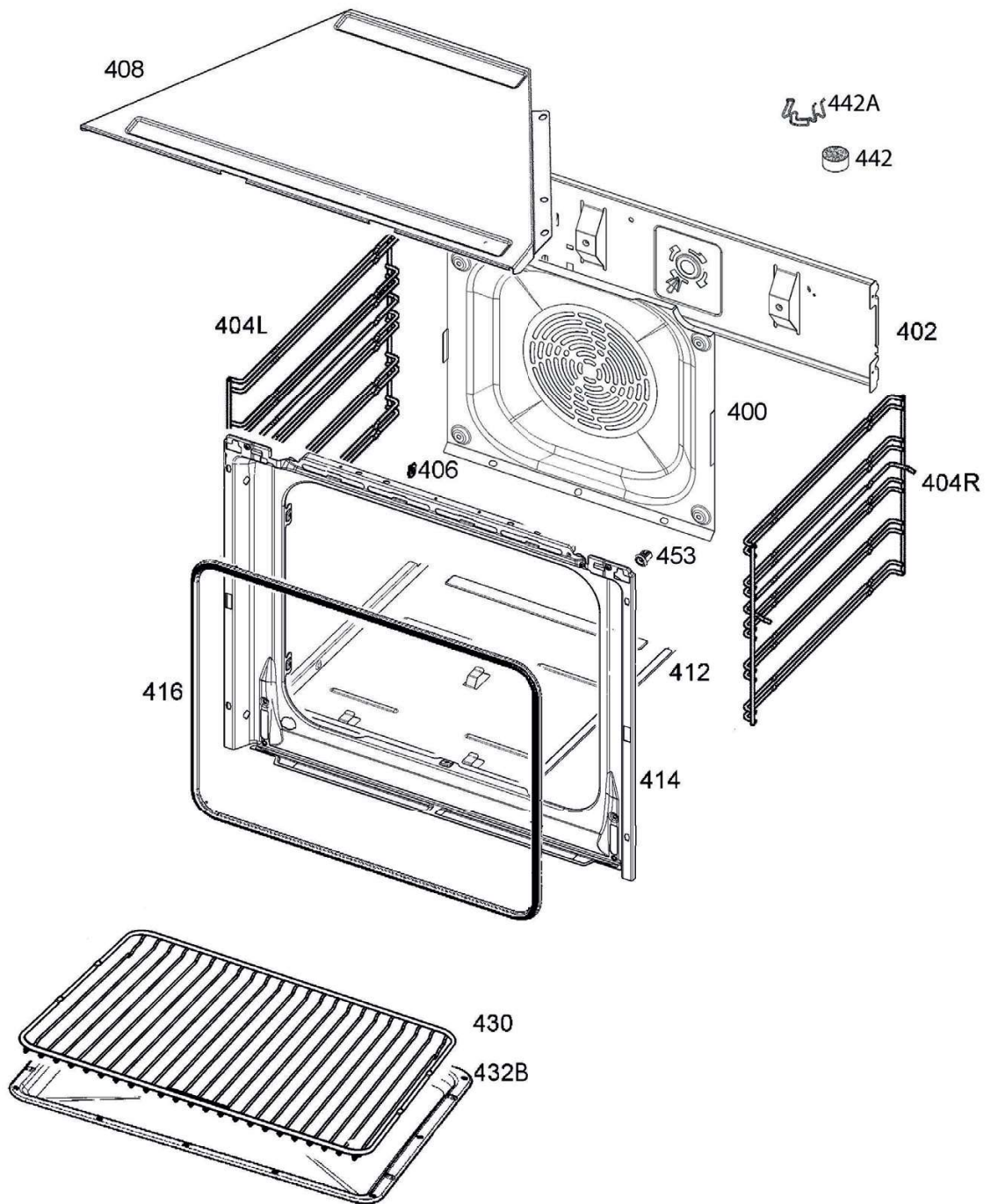
# Vue éclatée / Exploded view

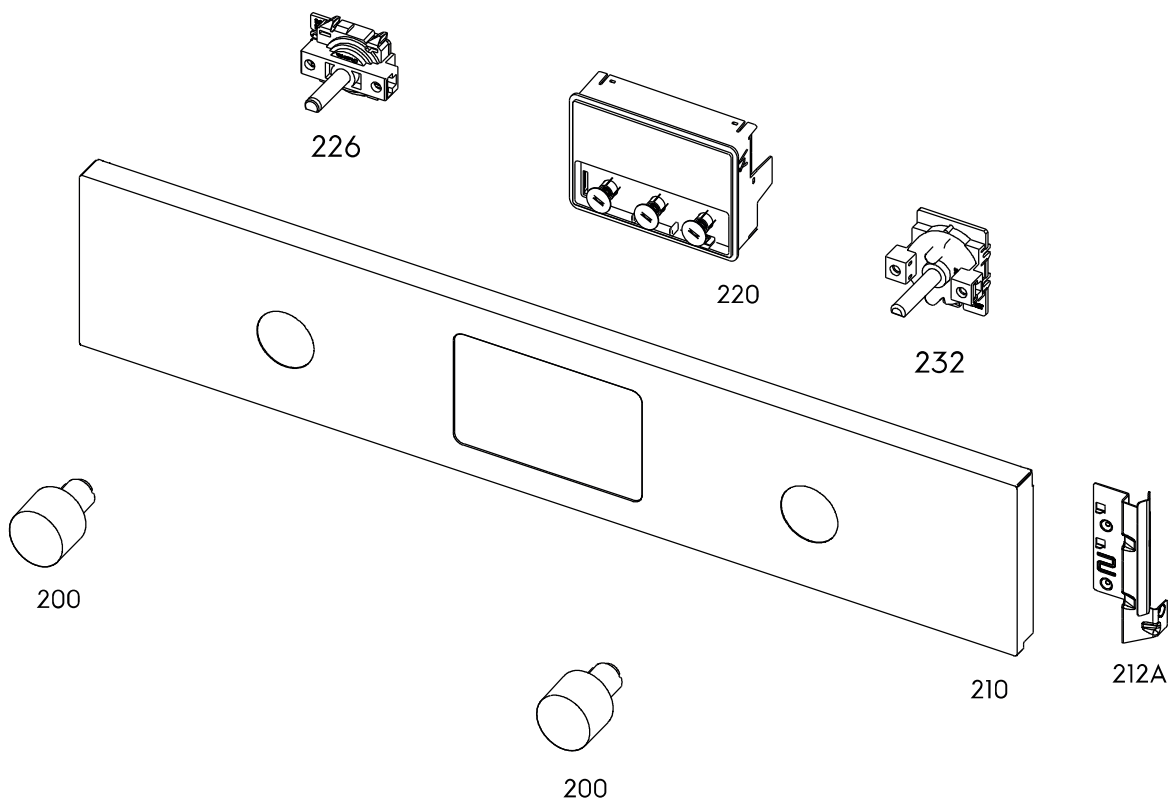
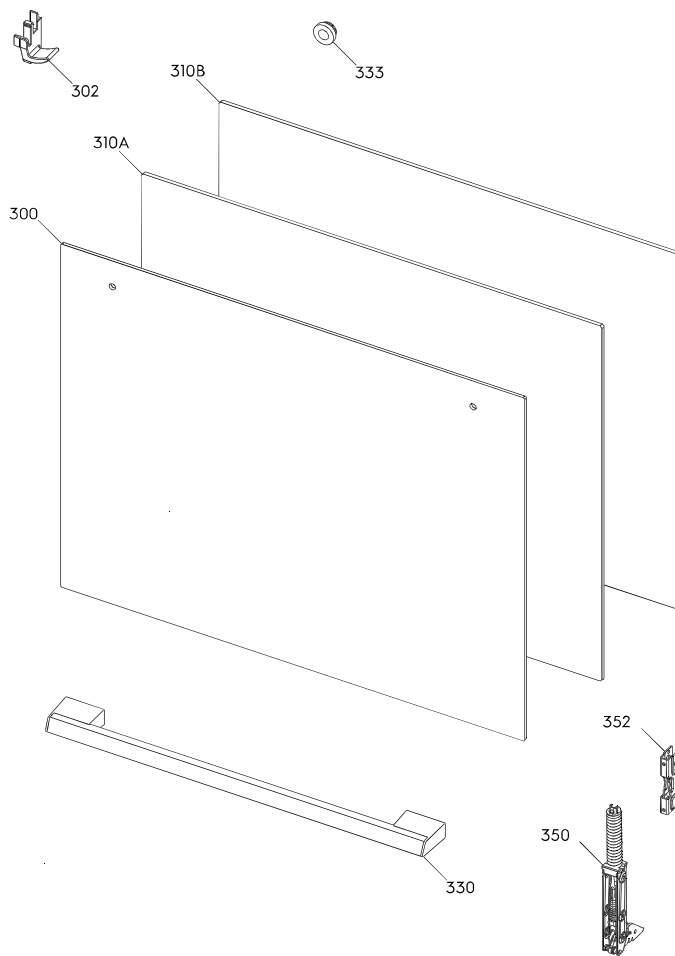


Toutes les informations, dessins, croquis et images dans ce document relèvent de la propriété exclusive de SOURCING & CREATION. SOURCING & CREATION se réserve tous les droits relatifs à ses marques, créations et informations. Toute copie ou reproduction, par quelque moyen que ce soit, sera jugée et considérée comme une contrefaçon.

All information, designs, drawings and pictures in this document are the property of SOURCING & CREATION. SOURCING & CREATION reserves all rights to its brands, designs and information. Any copy and reproduction through any means shall be deemed and considered as counterfeiting.







# Liste des pièces détachées / Spare parts list

N° VUE	REF PIECE	DESIGNATION (FR)	DESIGNATION (ENG)	INFORMATION
106	3532447152	COUVERCLE	COVER	Vue/View P00003174373
109	140144145020	PANNEAU ARRIERE	BACK PANEL	Vue/View P00003174373
110	3532415019	FOND, PANNEAU	BOTTOM PANEL	Vue/View P00003174373
111L	3532416041	PANNEAU DE COTE, GAUCHE	SIDE PANEL, LEFT	Vue/View P00003174373
111R	3532416033	PANNEAU DE COTE, DROIT	SIDE PANEL, RIGHT	Vue/View P00003174373
115	3558027029	BUTEE EN CAOUTCHOUC	RUBBER STOP	Vue/View P00003174373
130	140198238010	COUVERCLE, CABLE, BORNE	COVER, CABLE, TERMINAL	Vue/View P00003174373
N#A	3490860016	BOULON TORX 3,5x9,5 T20	BOLT TORX 3,5x9,5 T20	Vue/View P00003174373
N#A	3878545106	VIS 4,2x9,5	SCREW 4,2x9,5	Vue/View P00003174373
500B	140089338317	ELEMENT CHAUFFANT INFERIEUR, 1000W	HEATING ELEMENT, BOTTOM, 1000W	Vue/View P00003188902
500C	3970128058	ELEMENT CHAUFFANT CIRCULAIRE, 2000W	HEATING ELEMENT, ROUND, 2000W	Vue/View P00003188902
500U	140089344216	ELEMENT CHAUFFANT DESSUS GRIL	HEATING ELEMENT, TOP GRILL	Vue/View P00003188902
502U	8087690031	LAMPE DE FOUR, COMPLET	OVEN LIGHT, COMPLETE	Vue/View P00003188902
504U	8588085641021	AMPOULE DE FOUR 230V-40W-G9	OVEN BULB 230V-40W-G9	Vue/View P00003188902
506U	8087690015	COUVERCLE VERRE, LAMPE DE FOUR	GLASS COVER, OVEN LIGHT	Vue/View P00003188902
510C	3570556039	MOTEUR CONVOYEUR 20W	MOTOR CONVEYOR, 20W	Vue/View P00003188902
510V	8588089629048	VENTILATION	TANGENTIAL COOLING FAN	Vue/View P00003188902
512	3581960980	VENTILATEUR, MOTEUR, GUIDE D'AIR	FAN BLADE	Vue/View P00003188902
513	3543210011	ECROU	NUT	Vue/View P00003188902
516A	140186468058	CARTE ELECTRONIQUE	ELECTRONIC BOARD	Vue/View P00003188902
518	140144243031	CAPTEUR, FOUR PRINCIPAL	SENSOR, MAIN OVEN, TOP OVEN	Vue/View P00003188902
518O	140018026173	THERMOSTAT DE SECURITE	THERMOSTAT	Vue/View P00003188902
522	3879638009	SERRE-CABLE	CABLE CLAMP	Vue/View P00003188902
522C	3871270017	CLIP ANTI-TENSION	ANTI TENSION CLIP	Vue/View P00003188902
522 D	3306473004	CLIP FIXATION	FIXING CLIP	Vue/View P00003188902
524	14006880034	FERMETURE DE PORTE	DOOR LOCK	Vue/View P00003188902
530	3581980079	BORNIER	TERMINAL BLOCK	Vue/View P00003188902
400	140144522053	PANNEAU ARRIERE, TURBINE CONVECTION	BACK PANEL CONVECTION FAN	Vue/View P00003188903
402	140144521014	PLAQUE DE MONTAGE, PAROI	MOUNTING PLATE, BACK	Vue/View P00003188903
404L	8081603014	GRILLE GAUCHE	SHELF-LEFT	Vue/View P00003188903
404R	8081603022	GRILLE DROITE	SHELF-RIGHT	Vue/View P00003188903
406	5614852019	CLIP FIXATION, GRILLE	WIRE SHELF CLIP	Vue/View P00003188903
408	3531956088	CONDUIT D'AIR, INFERIEUR	AIR DUCT, LOWER	Vue/View P00003188903
412	3531922056	TOLE DE PROTECTION, ELEMENT CHAUFFANT VOUTE	PROTECTIVE SHEET, VOUTE HEATING ELEMENT	Vue/View P00003188903
414	8583532195903	ENCADREMENT AVANT, NOIR	FRONT FRAME, BLACK	Vue/View P00003188903
416	3565246018	CORDON D'ETANCHEITE, PANNEAU AVANT	SEALING PIECE, FRONT PANEL	Vue/View P00003188903
430	8087937051	GRILLE 424x357mm	GRID 424x357mm	Vue/View P00003188903
432B	8583531939228	LECHEFRITE 422x370x33mm	DRIP PAN 422x370x33mm	Vue/View P00003188903
442	3548043011	FILTRE, CATALYSE	FILTER, CATALYSIS	Vue/View P00003188903
442A	3543189017	RESSORT, FILTRE CATALYSE	SPRING, FILTER CATALYSIS	Vue/View P00003188903
453	50293036005	KIT FIXATIONS FOUR	OVEN BUSH AND SCREW KIT	Vue/View P00003188903
300	140242367492	HUBLOT BLANC, ESSENTIEL B	WHITE PORTHOLE, ESSENTIEL B	Vue/View P00003185679
302	140202740019	FERMETURE DE PORTE INFERIEURE, GAUCHE	LOWER LEFT DOOR GLASS LOCK	Vue/View P00003185679
302	140202740027	FERMETURE DE PORTE INFERIEURE, DROITE	LOWER RIGHT DOOR GLASS LOCK	Vue/View P00003185679
310A	3561503024	VITRE INTERMEDIAIRE, PORTE DE FOUR	INTERMEDIATE GLASS, OVEN DOOR	Vue/View P00003185679
310B	3561502026	VITRE INTERIEURE 490x400mm, PORTE DE FOUR	INNER GLASS 490x400mm, OVEN DOOR	Vue/View P00003185679
330	140013025030	POIGNEE DE PORTE, BLANC	DOOR HANDLE, WHITE	Vue/View P00003185679
333	3558033019	BUTEE, POIGNEE	STOPPER, HANDLE	Vue/View P00003185679

350	140199794078	CHARNIERE PORTE FOUR	HINGE, OVEN DOOR	Vue/View P00003185679
352	140199801022	SUPPORT CHARNIERE	HINGE SUPPORT	Vue/View P00003185679
200	140130634433	BOUTON BLANC	BUTTON, WHITE	Vue/View P00003188905
210	140258614050	BANDEAU BLANC, 60CM	CONTROL PANEL WHITE, 60CM	Vue/View P00003188905
212A	3532228107	SUPPORT BANDEAU, DROIT	BRACKET RIGHT, CONTROL PANEL	Vue/View P00003188905
212A	3532228099	SUPPORT BANDEAU, GAUCHE	BRACKET LEFT, CONTROL PANEL	Vue/View P00003188905
220	982140189715267	MODULE ELECTRONIQUE, CONFIGURE	ELECTRONIC MODULE, CONFIGURED	Vue/View P00003188905
226	3570840037	INTERRUPTEUR, SELECTEUR FONCTIONS	SWITCH, FUNCTIONS SELECTOR	Vue/View P00003188905
232	8090626022	SELECTEUR ROTATIF	ROTARY SELECTOR	Vue/View P00003188905
N#A	3570551063	CABLE D'ALIMENTATION 3x1,5 L=1	POWER CABLE 3x1,5 L=1	Vue/View P00003188902
N#A	140190639017	CABLAGE CARTE ALIMENTATION, FERMETURE PORTE	HARNESS, POWER BOARD, DOOR LOCK	Vue/View P00003188902
N#A	140191790025	CABLAGE CARTE ALIMENTATION, MODULE AFFICHAGE	HARNESS, POWER BOARD, USER INTERFACE	Vue/View P00003188902
N#A	140192160012	CABLAGE CARTE ALIMENTATION, INTERRUPTEUR PORTE	HARNESS, POWER BOARD, DOOR SWITH	Vue/View P00003188902
N#A	140110306028	CABLAGE MODULE D'AFFICHAGE/COMMUTATEUR	HARNESS, USER INTERFACE BOARD/ ROTARY SWITCH	Vue/View P00003188902
N#A	50296173003	ENSEMBLE BUTEE SUPPORT MODULE PUISSANCE	POWER MODULE SUPPORT	Vue/View P00003188902
N#A	4055369310	VIS POIGNEE DE PORTE (2 PCS)	DOOR HANDLE SCREWS (2PCS)	Vue/View P00003185679