

# miogō

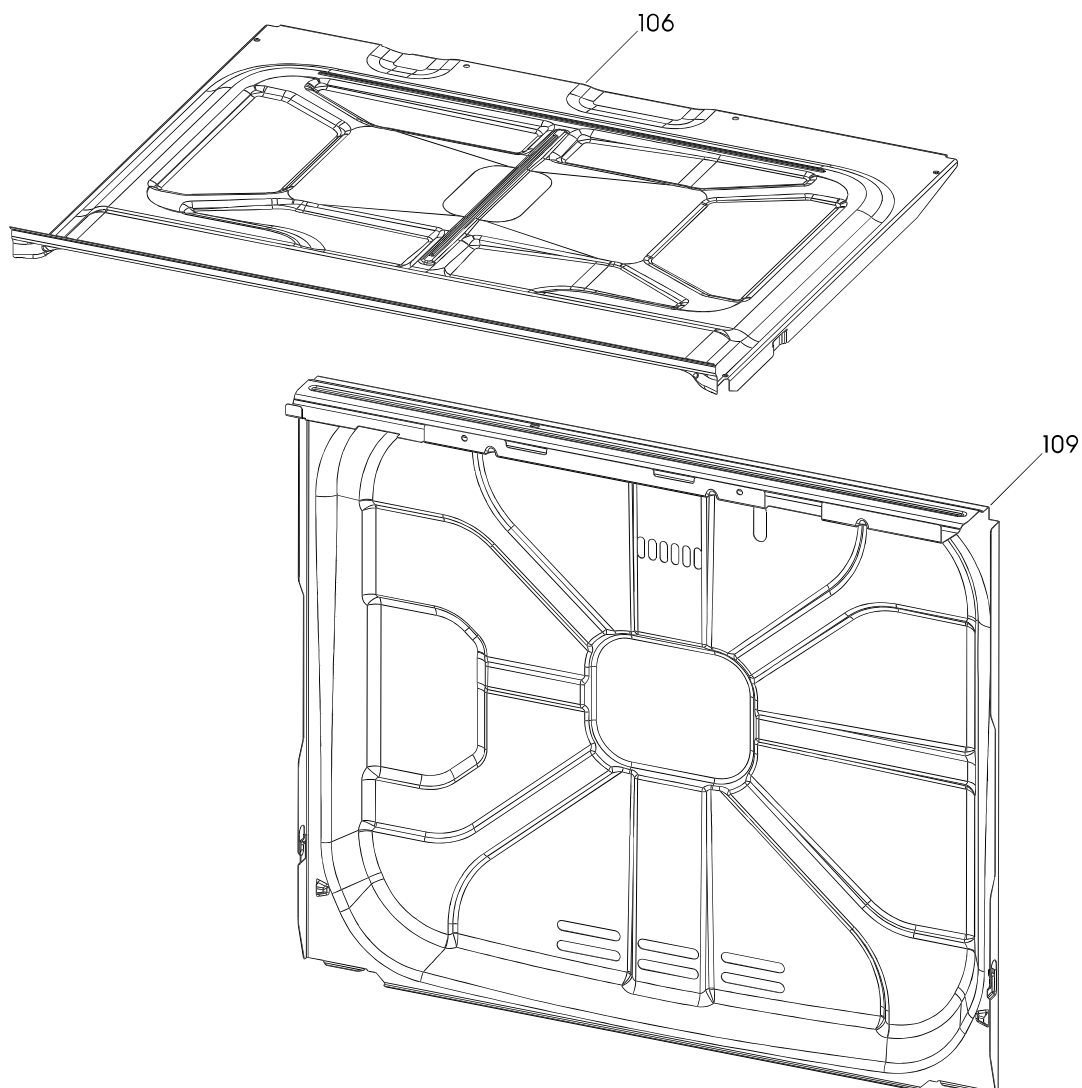
Four / Oven  
MOP721PR2



**Aide à la réparation / After-sales solutions**

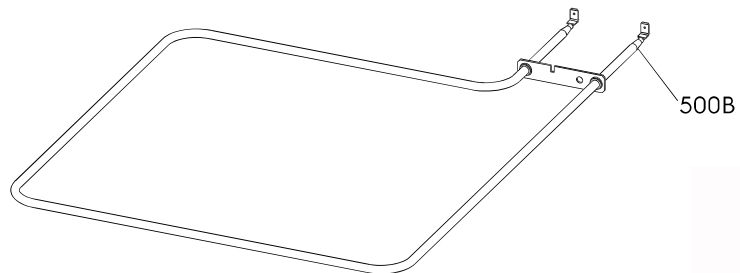
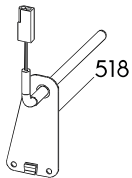
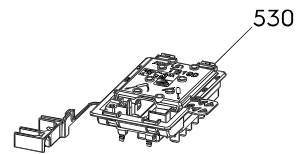
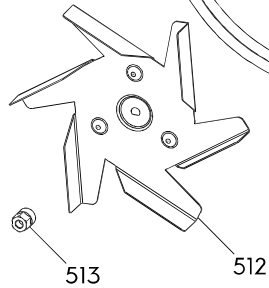
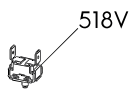
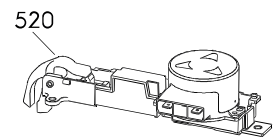
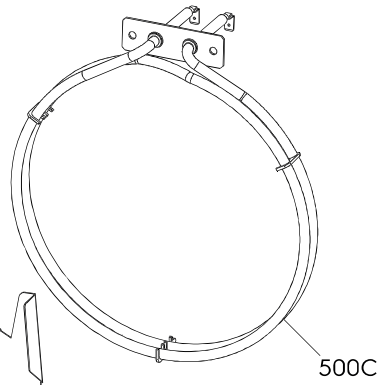
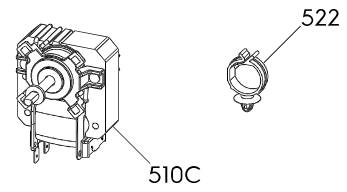
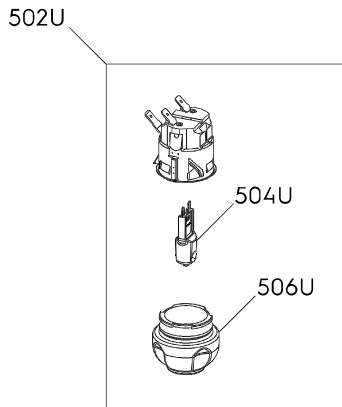
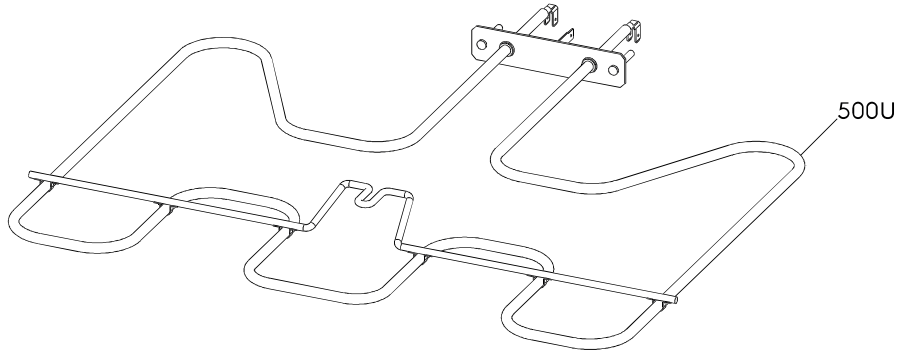
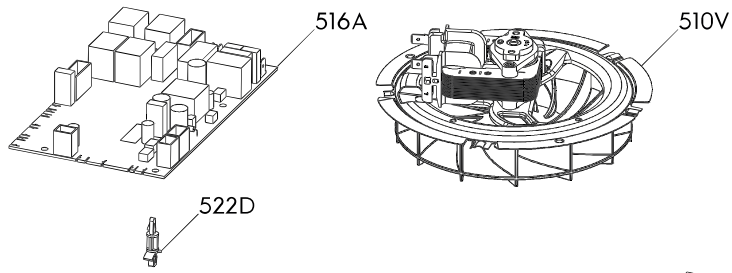
8010299

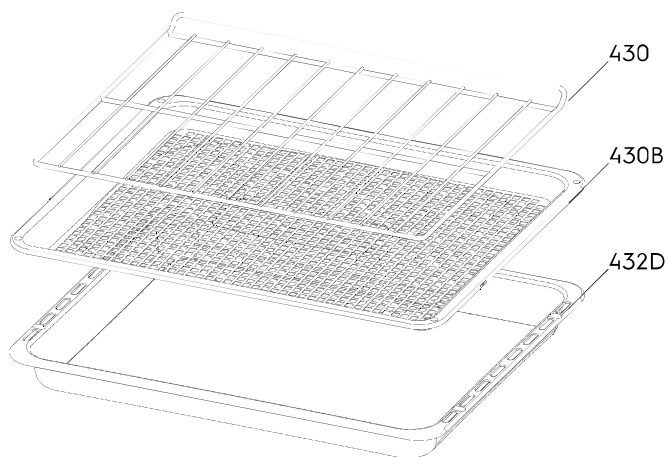
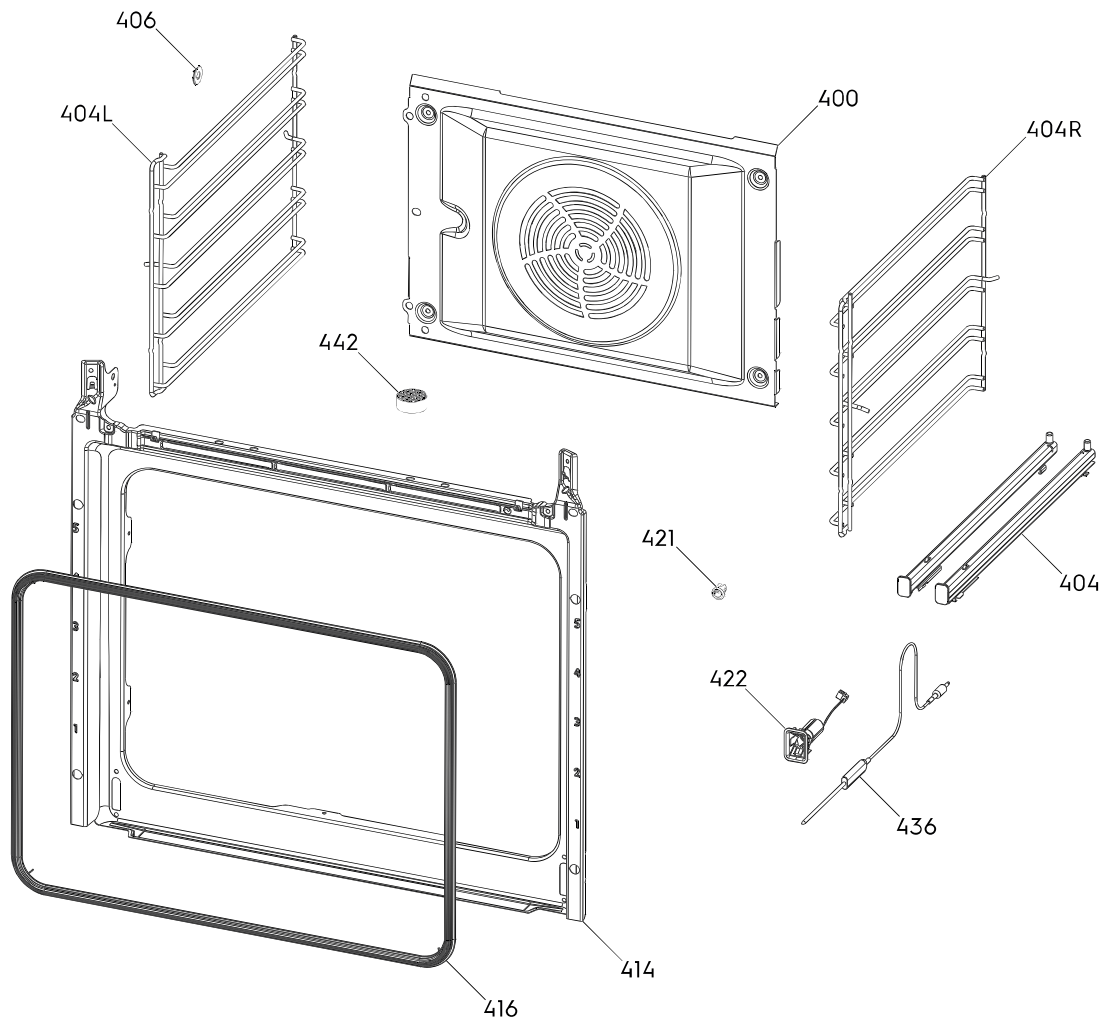
## Vue éclatée / Exploded view

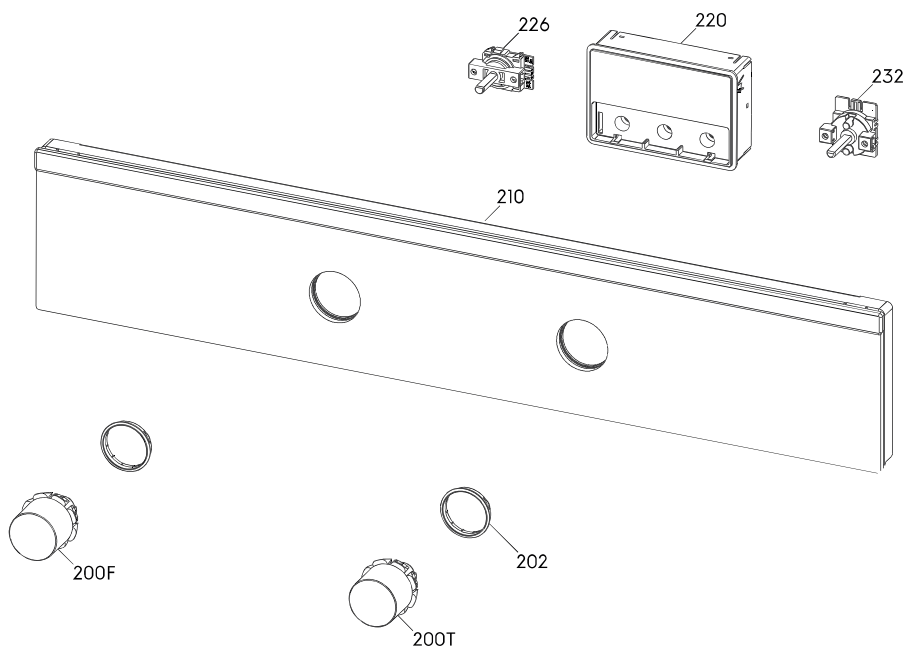
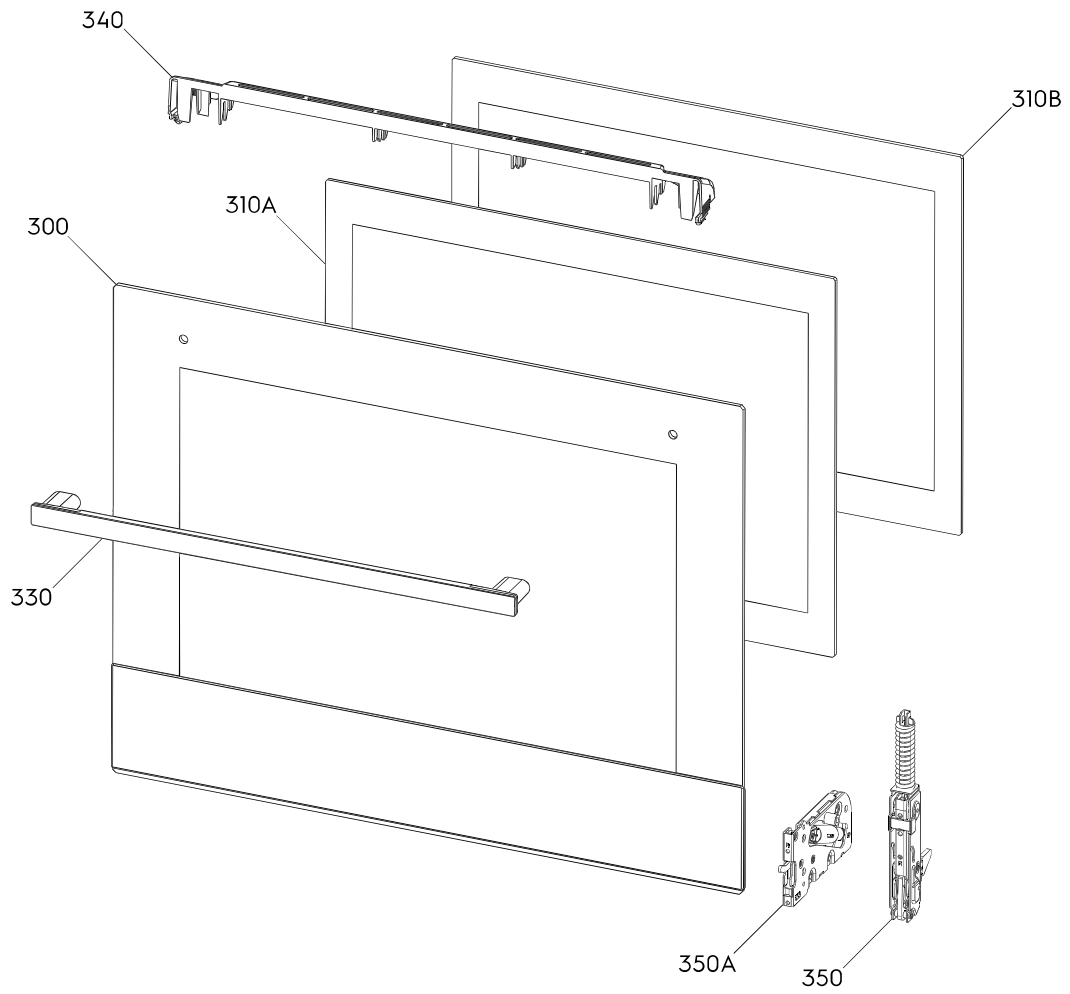


Toutes les informations, dessins, croquis et images dans ce document relèvent de la propriété exclusive de SOURCING & CREATION. SOURCING & CREATION se réserve tous les droits relatifs à ses marques, créations et informations. Toute copie ou reproduction, par quelque moyen que ce soit, sera jugée et considérée comme une contrefaçon.

All information, designs, drawings and pictures in this document are the property of SOURCING & CREATION. SOURCING & CREATION reserves all rights to its brands, designs and information. Any copy and reproduction through any means shall be deemed and considered as counterfeiting.







# Liste des pièces détachées / Spare parts list

| N° VUE | REF PIECE        | DESIGNATION (FR)  | DESIGNATION (ENG)                                  |
|--------|------------------|---|--|
| 106    | 140064666039     | Couvercle   | Cover  |
| 109    | 140064665023     | Panneau arrière,four  | Rear panel, oven                                   |
| 202    | 3870438201       | Anneau,bouton noir,H=6,5mm  | Ring, black button, H=6.5mm                        |
| 210    | 140209726110     | Bandeau,noir,60cm   | Control panel,black,60cm                           |
| 220    | 9821401897156400 | Module électronique configuré                                     | Electronic card configured                         |
| 226    | 3570840037       | Interrupteur sélecteur,fonctions,10+0                             | Selector switch, functions, 10+0                   |
| 232    | 8090626022       | Sélecteur rotatif,interrupteur,+/-                                | Rotary selector , switch, +/-                      |
| 300    | 140225485949     | Hublot,inox,Miogo,592x465mm                                       | Porthole,stainless steel,Miogo,592x465mm           |
| 330    | 140140158019     | Poignée,porte,inox  | Handle, door stainless steel                       |
| 340    | 140036108011     | Cache   | Door cover   |
| 350    | 140199797030     | Charnière,porte de four   | Hinge, oven door                                   |
| 400    | 140111991091     | Couvercle,turbine convection                                      | Cover, air circulation fan                         |
| 404    | 5611854117       | Rails télescopiques (kit de 2)                                    | Telescopic rail (kit of 2)                         |
| 406    | 5614852019       | Clip,fixation,grille  | Clip for fixing grill                              |
| 414    | 140128374125     | Encadrement avant   | Front frame  |
| 416    | 5610468034       | Joint de porte,503x371mm  | Door seal, 503x371mm                               |
| 421    | 4055218657       | Kit de montage,encastrable  | Mounting kit, recessed                             |
| 422    | 3396626180       | Viande,sonde,douille  | Meat,probe,socket                                  |
| 430    | 140064006012     | Grille,466x385mm  | Oven rack, 466x385mm                               |
| 436    | 8078226043       | Thermomètre à viande,480mm  | Meat thermometer, 480mm                            |
| 442    | 3370874046       | Catalyse  | Catalyst   |
| 512    | 3530457013       | Hélice de ventilateur,turbine convection                          | Fan propeller, turbine                             |
| 513    | 3543210011       | Écrou,M6  | Nut ,M6  |
| 518    | 3879614018       | Sonde de température,PT500  | Temperature sensor, PT500                          |
| 520    | 140066880042     | Verrouillage de porte,PYRO  | Door lock, pyro                                    |
| 522    | 3879638009       | Support de câble  | Cable holder                                       |
| 530    | 140074520010     | Bornier de raccordement   | Terminal block                                     |
| 999    | 140112961010     | Faisceau câbles,module d'affichage,fermeture de porte, X64/XI01<- | harness,user interface board, door lock, X64/XI01< |
| 999    | 140112972017     | Faisceau câbles,module d'affichage,interrupteur de porte,X64<->D  | harness,user interface board, door lock, X64<->D   |
| 999    | 1401103060208    | Faisceau câbles,module d'affichage                                | Harness,user interface board                       |
| 999    | 3574234237       | Faisceau câbles,carte de puissance,module d'affichage             | Harness,power board,user interface board           |
| 999    | 50296173003      | Ensemble butée, support carte de puissance                        | Cooker space compensator support, kit              |
| 999    | 5611034009       | Câble alimentation  | Power cord   |
| 999    | 5614750148       | Ressort,amortisseur,moteur  | Spring, damper, motor                              |
| 999    | 4055185252       | Ensemble vis,poignée de porte,5x M4x48 A2K ,5 pcs                 | Screw set , door handle, M4x48, 5pcs               |
| 999    | 4055236956       | Ensemble montage,poignée,AFL 4.2x16 T - 2 pcs                     | Screw set , handle, AFL 4.2x16 T - 2 pcs           |
| 999    | 3543300010       | Vis,bois ,4x25 PZ1,8  | Screw, wood, 4x25 PZ1,8                            |
| 200F   | 140165199054     | Bouton,index,noir   | Index button black                                 |
| 200T   | 140137993055     | Bouton,noir   | Button, black                                      |
| 310A   | 140054344019     | Vitre extérieur 479,5x396,8mm                                     | Outer glass, 479,5x396,8mm                         |
| 310B   | 140219419011     | Vitre intérieure,haute température                                | inner glas, high temperature                       |
| 404L   | 140101931040     | Grille,gauche   | Left oven shelf                                    |
| 404R   | 140101931032     | Grille,droit  | Right oven shelf                                   |
| 430B   | 140119508020     | Plaque de four,466x385x22mm                                       | Gril, insert, 466x385x22mm                         |
| 432D   | 3532454075       | Plaque à pâtisserie,gris,466x385x22mm                             | Baking tray, grey, 466x385x22mm                    |
| 500B   | 140063361012     | Élément chauffant,inférieur,230V, 1000W                           | Heating element, lower, 230V, 1000W                |
| 500C   | 140089339034     | Élément chauffant,rond,230V, 2400W                                | Heating element, round, 230V, 2400W                |
| 500U   | 140112912013     | Élément chauffant supérieur,gril,230V, 2300W                      | Heating element, upper, 230V, 2300W                |

| N° VUE | REF PIECE     | DESIGNATION (FR)                                   | DESIGNATION (ENG)                       |
|--------|---------------|--|---|
| 502U   | 8087690031    | Lampe de four,complet,dessus,G9,230V,40W           | Oven lamp, complete, above,G9,230V,40W  |
| 504U   | 8588085641021 | Lampe de four,G9,230V,40W                          | Bulb, oven lamp,G9,230V,40W             |
| 506U   | 8087690015    | Hublot de lampe, en verre                          | Oven bulb protective glass              |
| 510C   | 8583890813048 | Micro moteur convection                            | Convection micro motor                  |
| 510V   | 140218990012  | Ventilateur de refroidissement,assemblage,230V,40W | Cooling fan, assembly,230v-20w          |
| 516A   | 140028861429  | Carte de puissance,OVC5000                         | Power electronic card, OVC5000          |
| 518V   | 140018026173  | Thermostat de sécurité surchauffe,N.C. 155°C       | Overheating safety thermostat, NC 155°C |
| 522D   | 3306473004    | Clip,fixation,l=22,9mm                             | Clip fixing, ,l=22,9mm                  |