

essentiel 

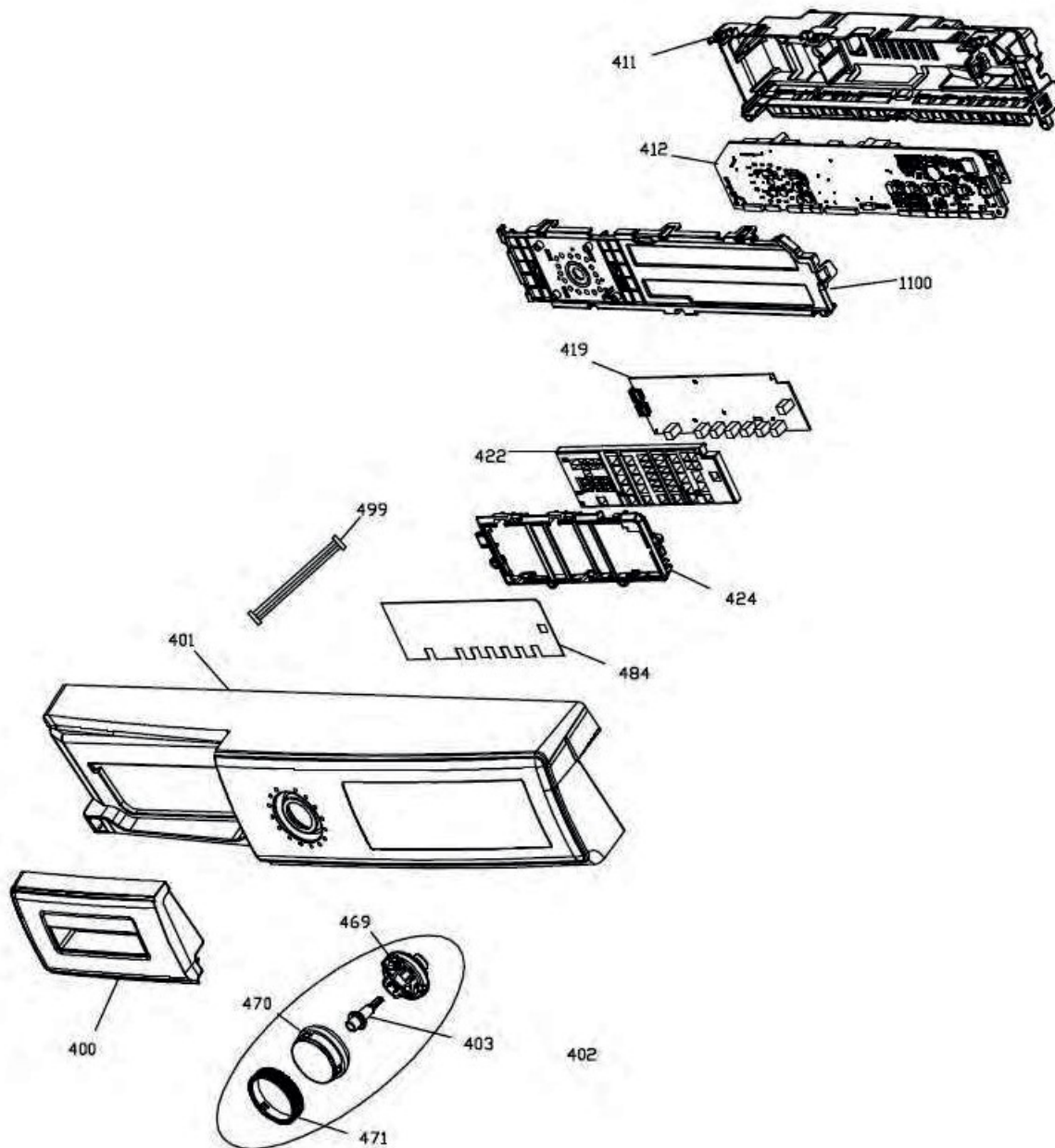
Lave-linge / Washing machine  
ELF1014-7s



**Aide à la réparation / After-sales solutions**

8010322

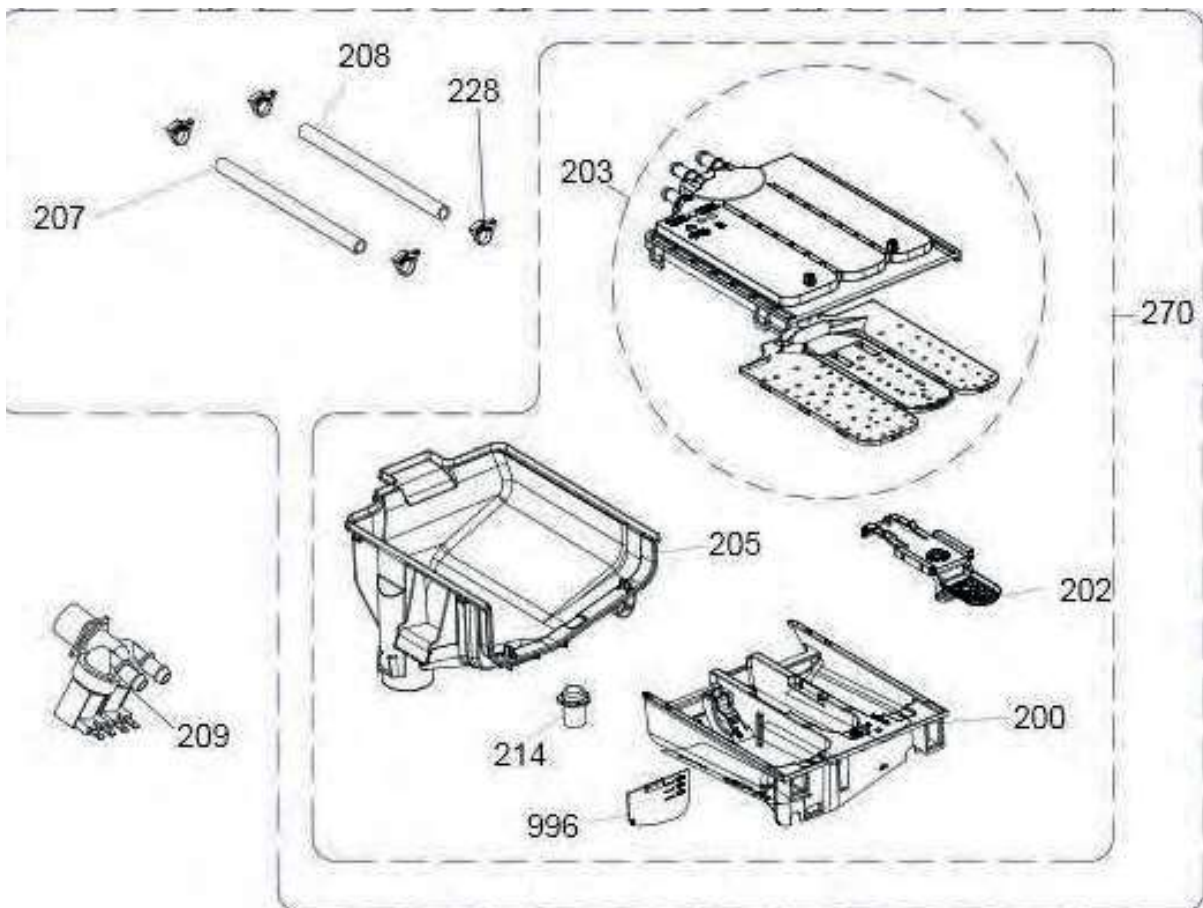
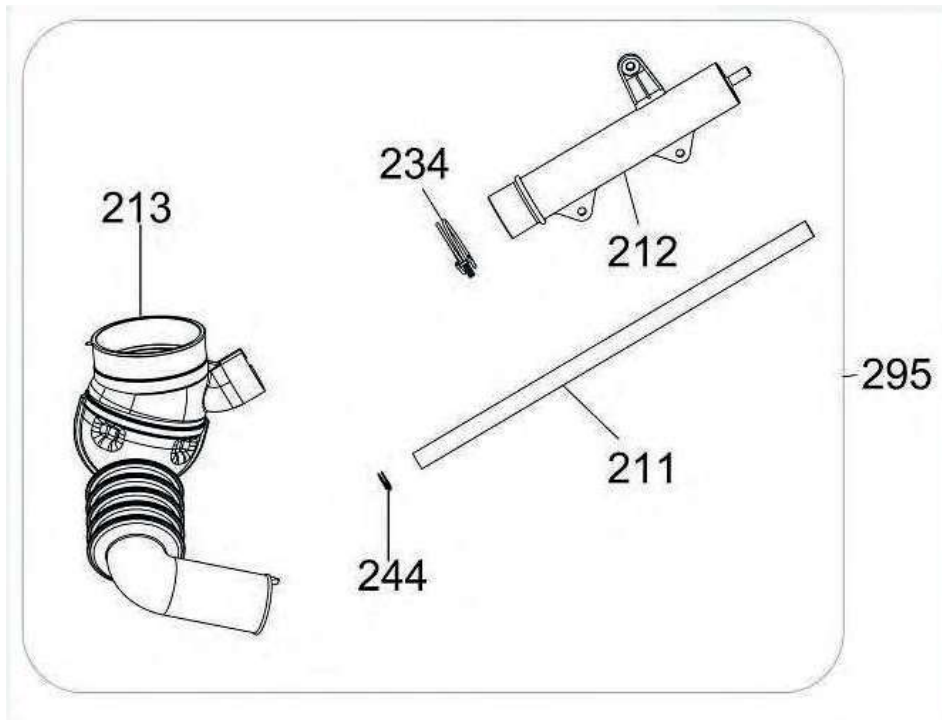
# Vue éclatée / Exploded view

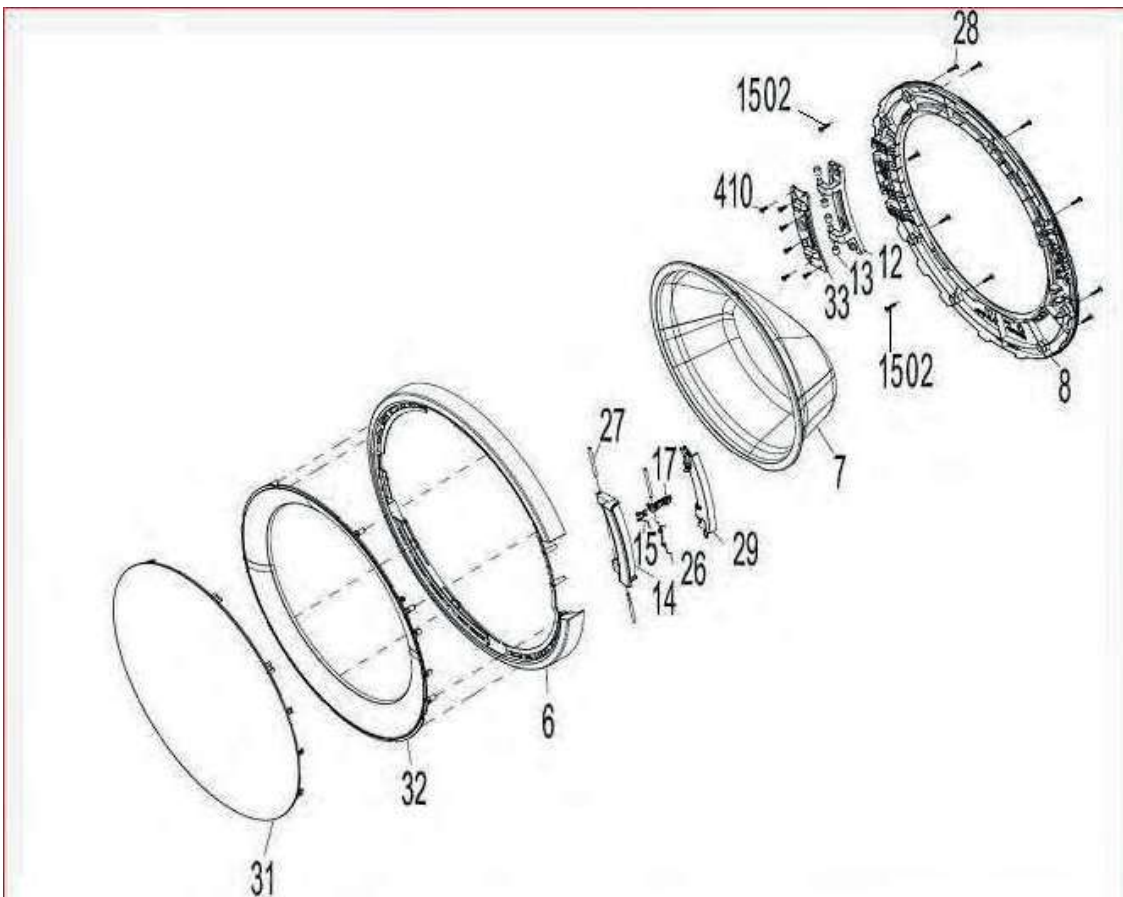
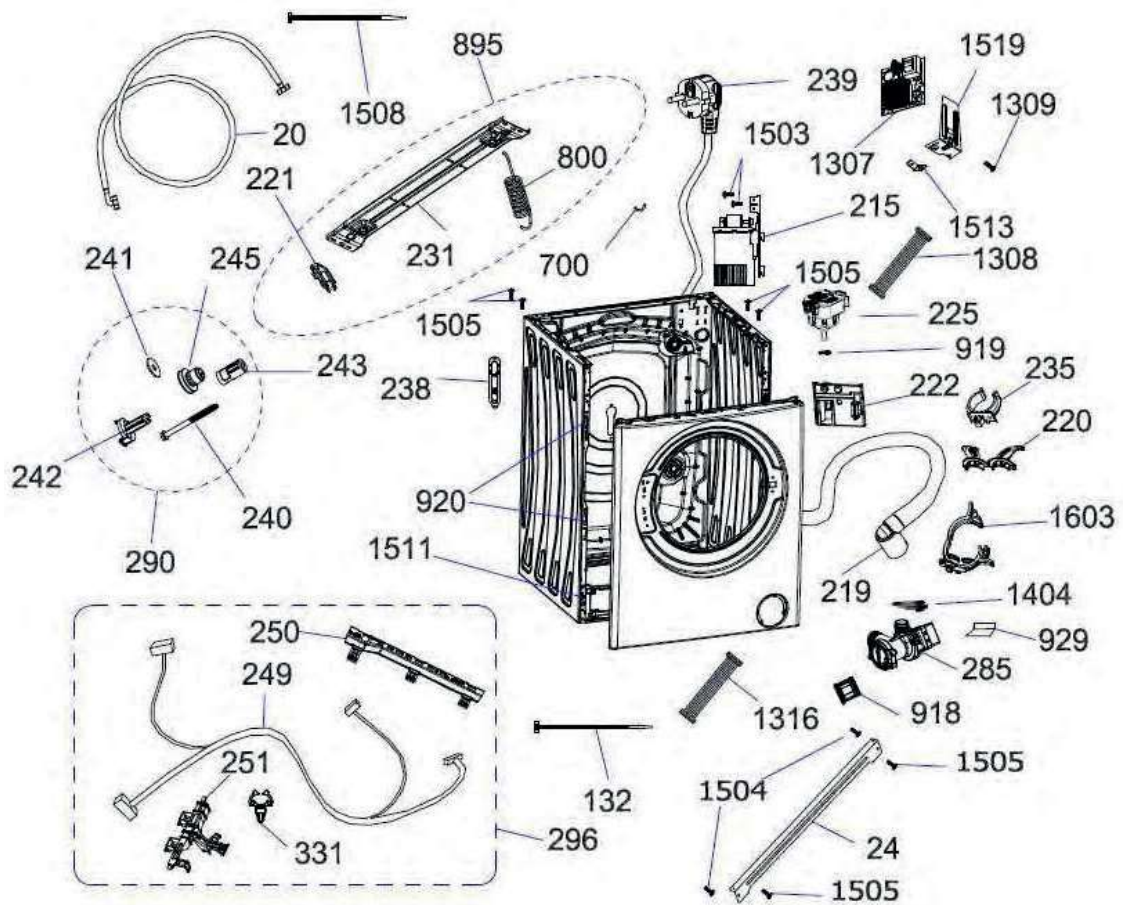


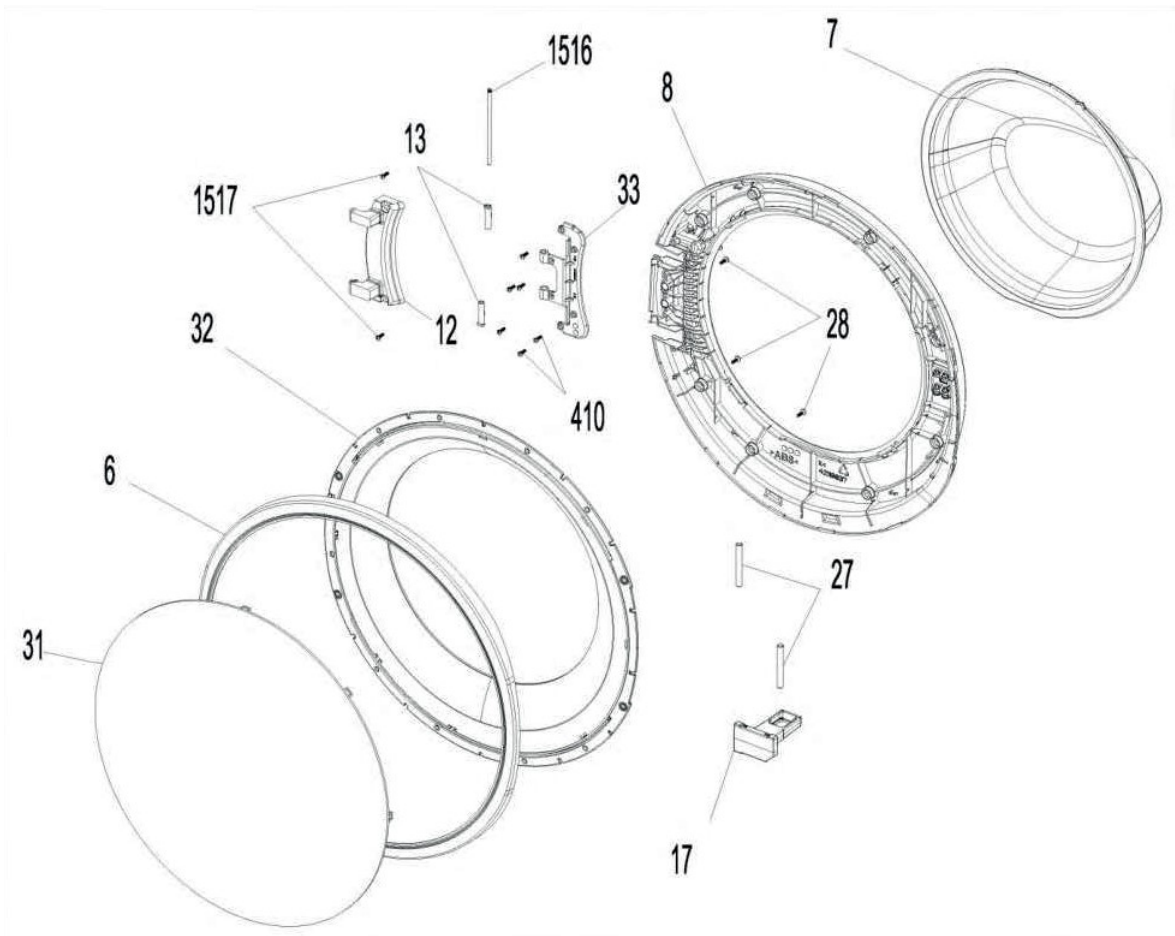
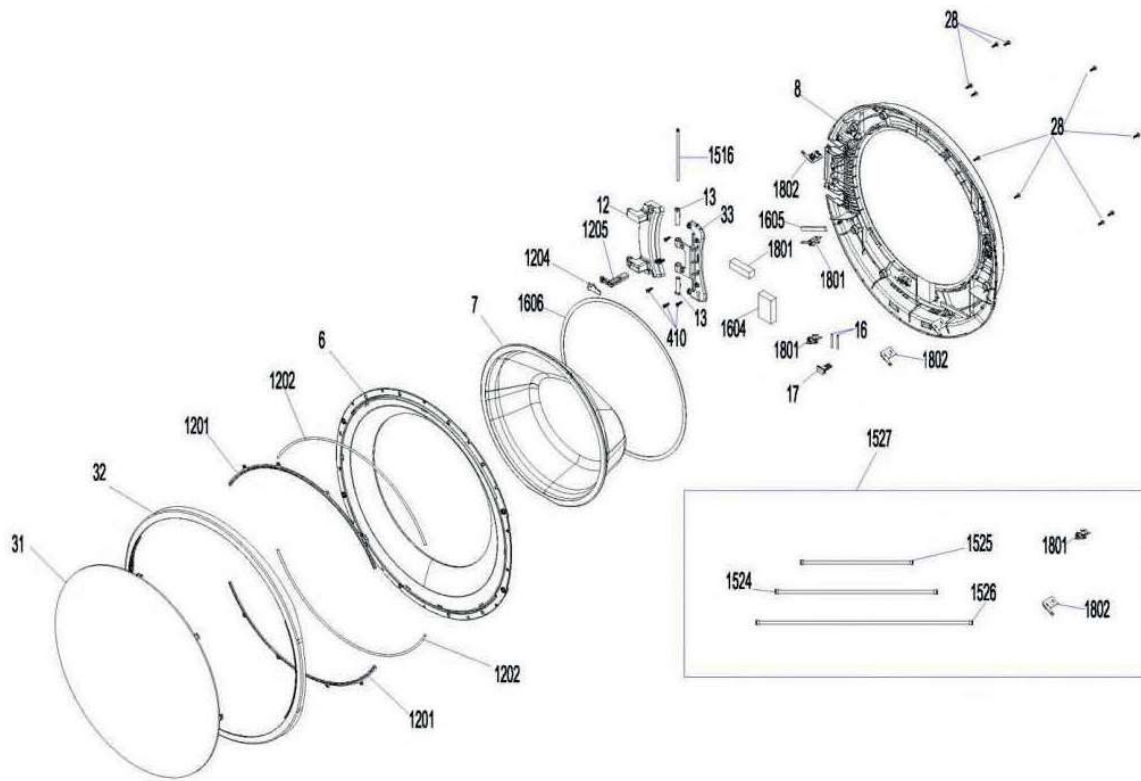
Toutes les informations, dessins, croquis et images dans ce document relèvent de la propriété exclusive de SOURCING & CREATION. SOURCING & CREATION se réserve tous les droits relatifs à ses marques, créations et informations. Toute copie ou reproduction, par quelque moyen que ce soit, sera jugée et considérée comme une contrefaçon.

All information, designs, drawings and pictures in this document are the property of SOURCING & CREATION. SOURCING & CREATION reserves all rights to its brands, designs and information. Any copy and reproduction through any means shall be deemed and considered as counterfeiting.







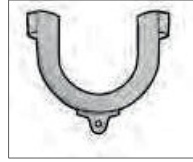




995



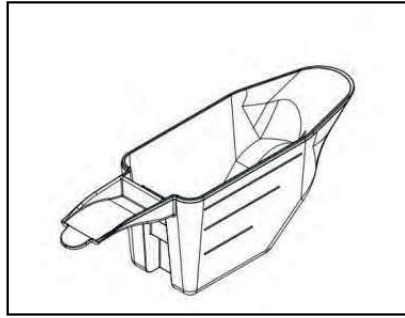
996



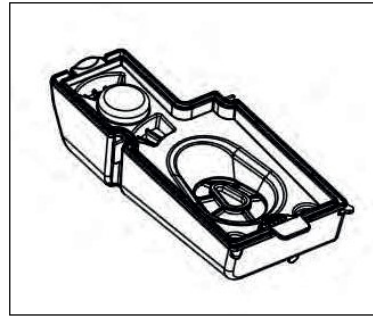
997



998



1900



1901

## Liste des pièces détachées / Spare parts list

N°	REFERENCE	DESIGNATION (FR)	DESIGNATION (ENG)	INFORMATI
1	22174387	MEUBLE	CABINET ASSEMBLY	
2	42034826	DESSUS COUVERCLE	TOP FRAME ASSEMBLY	
3	22125035	FACADE AVANT	FRONT PANEL	
5	47013982	PIED + ECROU M10	FEET + NUT M10	
7	47003771	HUBLLOT VERRE	DOOR GLASS	
8	42192251	CADRE PORTE HUBLLOT	DOOR INSIDE FRAME	
9	37023407	COLLIER JOINT HUBLLOT	DOOR GASKET FIXING RING	
10	32041480	SECURITE PORTE	SECURITE PORTE	
12	37015559	CHARNIERE HUBLLOT	DOOR HINGE	
13	42023907	AXE CHARNIERE HUBLLOT	HINGE AXIS ASSEMBLED DOOR	
17	37021930	CROCHET POIGNEE HUBLLOT	DOOR HANDLE HOOK	
20	40014423	TUYAU ARRIVEE EAU	HOSE -WATER INLET	
24	22183972	TRAVERSE SUPERIEURE	UPPER SUPPORT BRACKET	
27	37002165	AXE CROCHET POIGNEE PORTE	HANDLE HOOK AXIS	
28	35008715	VIS 3.5*16	SCREW 3,5X9	
33	37050539	SUPPORT CHARNIERE HUBLLOT	DOOR HINGE HOLDER	
100	42025177	COURROIE 1234J5EL	BELT 1234J5EL	
101	22115425	POULIE TAMBOUR AXE=16mm	DRUM PULLEY axis=16mm	
102	32035871	MOTEUR KC 32MM SPOKE X PMS6932N	MOTOR KC 32MM X PMS6932N	
102	32045273	MOTEUR SPOKE KC 32MM LWVLT	MOTOR SPOKE KC 32MM LWVLT	production 708720 à
102	32050151	MOTEUR SPOKE 32MM	MOTOR SPOKE 32MM	ap 738733
103	22169181	CUVE 1/2 ARRIERE	REAR TANK GROUP	
104	47011587	AMORTISSEUR	SHOCK ABSORBER	
105	42025094	AXE AMORTISSEUR	SHOCK ABSORBER PIN	
112	47017578	LEST SUPERIEUR	COUNTER WEIGHT(UPPER)	
113	42015077	JOINT DE CUVE	TUB SEAL	
115	37018738	CLIPS FIXATION RESISTANCE	RESISTANCE FIXING CLIP	
117	42059372	CUVE 1/2 AVANT	TANK 1/2 FRONT	
118	42024953	JOINT HUBLLOT	DOOR GASKET	
119	37008555	COLLIER JOINT HUBLLOT/CUVE	CLAMP DOOR GASKET/TANK	
120	47020192	LEST AVANT	COUNTER WEIGHT (FRONT)	
121	20846087	RESISTANCE 2000W + SONDE	HEATING ELEMENT 20000W + SENSOR	
122	37007899	VIS 8*28	SCREW 8X28	
124	22227543	ECROU + RONDELLE POULIE TAMBOUR	DRUM PULLEY NUT + WASHER	
126	37035819	VIS 1/2 CUVE AVANT-ARRIERE	SCREW REAR-FRONT TANK 1/2	
132	42048113	COLLIER PLASTIQUE	PLASTIC CLAMP	
160	22257517	TAMBOUR 62-FC-4-SK	DRUM 62-FC-4-SK	
200	42210180	BOITE LESSIVE COMPLETE	DETERGENT BOX ASSEMBLED	
202	42212973	SYPHON GRIS	SYPHON GREY	
202	42185070	SYPHON BLEU	SYPHON BLUE	ap 734923
203	42210180	BOITE LESSIVE COMPLETE	DETERGENT BOX ASSEMBLED	
205	42210180	BOITE LESSIVE COMPLETE	DETERGENT BOX ASSEMBLED	
206	42087110	DURITE BOITE LESSIVE / CUVE	TUB INLET HOSE.	
207	42007797	DURITE ELECTROVANNE/BAC LESSIVE	HOSE VALVE/DETERGENT BOX	
208	42007796	DURITE ELECTROVANNE/BAC LESSIVE	HOSE VALVE/DETERGENT BOX	
209	32035767	ELECTROVANNE 2 VOIES	WATER INLET VALVE	
211	42078599	TUYAU PRESSOSTAT 577MM	PRESSURE SWITCH HOSE L=577MM	
212	42259234	CHAMBRE DE COMPRESSION	COMPRESSION CHAMBER	

N°	REFERENCE	DESIGNATION (FR)	DESIGNATION (ENG)	INFORMATI
213	42127585	DURITE CUVE/POMPE VIDANGE	TUB FILTER HOSE ASSEMBLY	
214	42210118	SYPHON GRIS	SYPHON GREY	
214	42185061	SYPHON BLEU	SYPHON BLUE	ap 734923
215	32027179	CONDO ANTIPARASITE	INTERFERENCE SUPPRESSOR	
219	42074837	TUYAU DE VIDANGE	HOSE DRAIN PUMP	
220	42019322	CROSSE TUYAU VIDANGE	DISCHARGE HOSE HOLDER	
221	42016727	ENTRETOISE RESSORT/MEUBLE	SPRING HANGER SHEET	
222	42022768	SUPPORT PRESSOSTAT	PRESSURE SWITCH BRACKET	
225	32025730	PRESSOSTAT ELECTRONIQUE	ELECTRONIC PRESURE SWITCH	
228	42225796	COLLIER	CLAMP	
231	22183978	SUPPORT RESSORT SUSPENSION	SPRING BRACKET	
234	37027058	COLLIER POMPE VIDANGE	DRAIN PUMP CLAMP	
235	40014270	COLLIER PASSE CABLE	CLAMP CABLE PASS	
238	42261745	CACHE ARRIERE VIS POULIE	REAR COVER PULLEY SCREW	
239	32016715	CABLE ALIMENTATION	POWER CORD ASSY.	
241	37015272	RONDELLE VIS POULIE TAMBOUR	WASHER SCREW DRUM PULLEY	
244	35008991	COLLIER DURITE PRESSOSTAT	PRESSURE SWITCH HOSE CLAMP	
250	42093407	SUPPORT	HOLDER	
251	42028367	SUPPORT CABLAGE	WIRING HOLDER	
270	42210180	BOITE LESSIVE COMPLETE	DETERGENT BOX ASSEMBLED	
285	32048313	POMPE VIDANGE LEILI 13MM BPX132-6L	DRAIN PUMP LEILI 13MM BPX132-6L	
290	37023467	KIT BRIDAGE UNITAIRE	TRANSPORT SAFETY ASSEMBLY	
295	42079698	DURITE CUVE/POMPE VIDANGE+CHAMBRE	TANK/DRAIN PUMP	
296	32038335	CABLAGE	WIRING	
331	42085086	SUPPORT CABLAGE	WIRING BRACKET	
400	42313534	FACADE TIROIR LESSIVE	DETERGENT DRAWER FRONT	
401	42313531	BANDEAU ELF1014-7S ESSENTIEL B	CONTROL PANEL ELF1014-7S	
402	42238519	MANETTE PROGRAMMATEUR	PROGRAM SELECTOR ASSEMBLY	
403	42161575	AXE MANETTE PROGRAMMATEUR	PROGRAM SELECTOR AXIS	
410	37016360	VIS 4*12 TORX	SCREW 4X12 TORX	
411	42187918	BOITIER SUPPORT PLATINE	HOLDERBOX BOARD	
412	22329829	PLATINE T3 67AFF58A0220200-V14.6/32	E.CARD T3 67AFF58A0220200-V14.6/32	
419	22326415	PLATINE DISPLAY T3	DISPLAY CARD	
422	42191719	SUPPORT INTERNE PLATINE DISPLAY	CARD BOX INSERT	
424	42191771	SUPPORT EXTERNE PLATINE DISPLAY	CARD BOX	
499	32036419	CABLE COMMUNICATION	LCD COMMUNICATION CABLE	
700	42019298	DOUILLE RESSORT/CUVE	TUB HANGER SPRING	
701	42187827	SUPPORT CACHE POMPE	PUMP COVER HOUSING	
702	42210183	CACHE POMPE	PUMP COVER	
800	37014888	RESSORT CUVE	HNGER SPRING	
805	37023804	VIS LEST AVANT 10*52	SCREW 10*52 FRONT	
806	35007454	RONDELLE POULIE	PLAIN WASHER 8.4X28X3	
808	37003063	VIS LEST SUPERIEUR	SCREW (COUNTERWEIGHT-UPPER)	
810	37006960	RONDELLE	WASHER	
811	37000507	ENTRETOISE LEST AVANT	FRONT WEIGHT SPACER	
812	37006921	ECROU M8	NUT M8	
813	42122318	AUBE 235mm	AGITATOR 235mm	
899	32009951	RESISTANCE 2000W	HEATING ELEMENT 2000W	
918	42268876	BOUCHON POMPE	PUMP FILTER	
920	42020456	CLIPS PANNEAU AVANT	FRONT PANEL DROP FIXING PLASTIC	
996	42185073	KIT LESSIVE LIQUIDE	LIQUID DETERGENT LEVEL PLATE	
997	40020601	CROSSE TUYAU VIDANGE	DRAIN HOSE HOLDER	
998	42161854	CACHE LL BRIDAGE	REAR COVER CAP	
999	32025771	SONDE RESISTANCE FASTON	NTC TEMP. SEN.-RAST 2,5	
999	32045564	SONDE RESISTANCE EPCOS-V2	NTC TEMP. SEN. EPCOS-V2	production 708720 à 708721

N°	REFERENCE	DESIGNATION (FR)	DESIGNATION (ENG)	INFORMATI
1100	42191714	COUVERCLE SUPPORT PLATINE	COVER HOLDER BOARD	
1103	42120198	DEVERROUILLAGE D'URGENCE	EMERGENCY LOCK RELEASE	
1200	37019456	SUPPORT CHARNIERE	HINGE HOLDER	
1307	22312078	PLATINE MOTEUR LG32 VULCNHB-V78.0 10	MOTOR CARD LG32 VULCNHB-V78.0	
1307	22379811	PLATINE MOTEUR LG32 VULCNHB-V78.2 10	MOTOR CARD LG32 VULCNHB-V78.2	ap 734923
1308	32023391	CABLE EGO BLDC1308	CABLE BLDC1308	
1309	37016371	VIS M4*8	SCREW M4X8	
1401	37011009	COLLIER DURITE BOITE LESSIVE/CUVE	CLAMP	
1402	35007369	COLLIER DURITE CUVE/POMPE VIDANGE +	HOSE CLAMP + SCREW 72MM	
1403	37027638	COLLIER Ø38,8	HOSE CLAMP (ø 38,8)	
1500	37015098	VIS 4,8X9,5	SCREW 4,8X9,5	
1501	37014455	VIS 4.2*16	SCREW 4,2X16	
1502	37035481	VIS CHARNIERE HUBLLOT	SCREW HINGE DOOR	
1504	37014453	VIS 4.2*13	SCREW 4,2X13	
1507	37019417	RONDELLE 30x10X3mm	WASHER 30x10X3mm	
1508	40007592	SUPPORT CABLE	CABLE HOLDER	
1509	37016359	VIS	SCREW	
1511	42088991	CLIP FIXATION BANDEAU AVANT	FRONT BAND FIXATION CLIP	
1513	32018631	COSSE MALE	MALE GROUND TERMINAL (STEEL)	
1519	37020792	SUPPORT	HOLDER	
1603	42026116	SUPPORT TUYAU	HOSE HOLDER	