

essentiel 

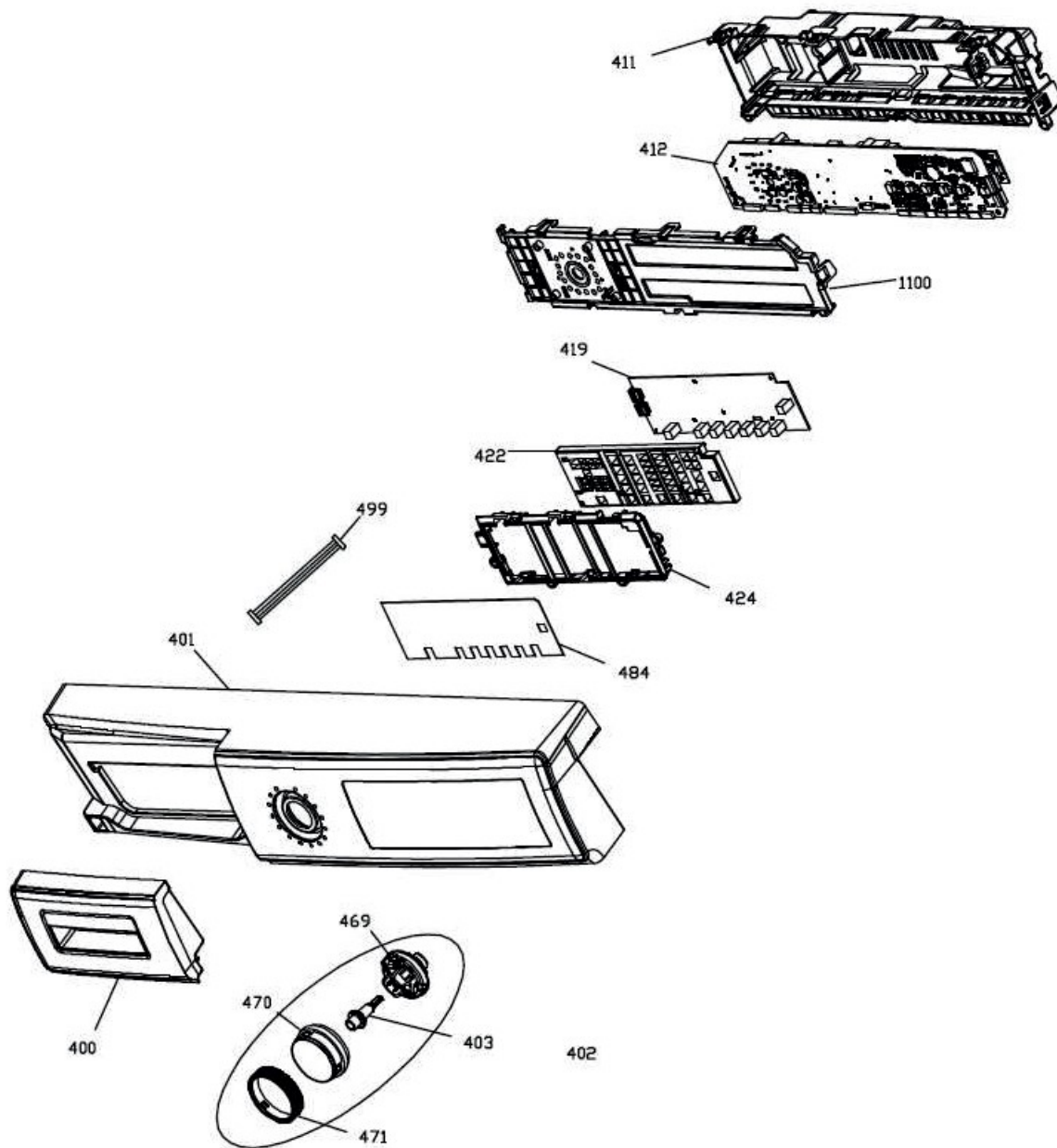
Lave-linge / Washing machine  
ELF1214-1B



**Aide à la réparation / After-sales solutions**

8010327

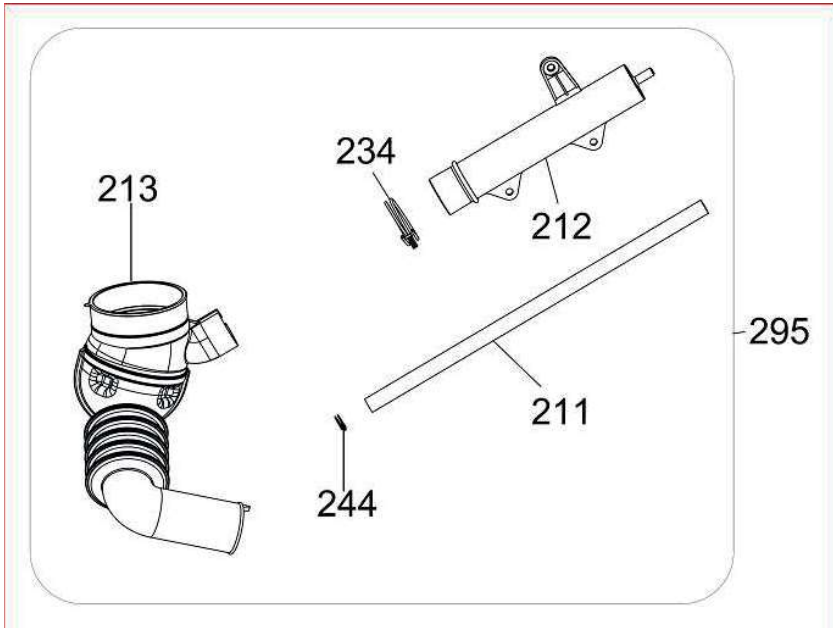
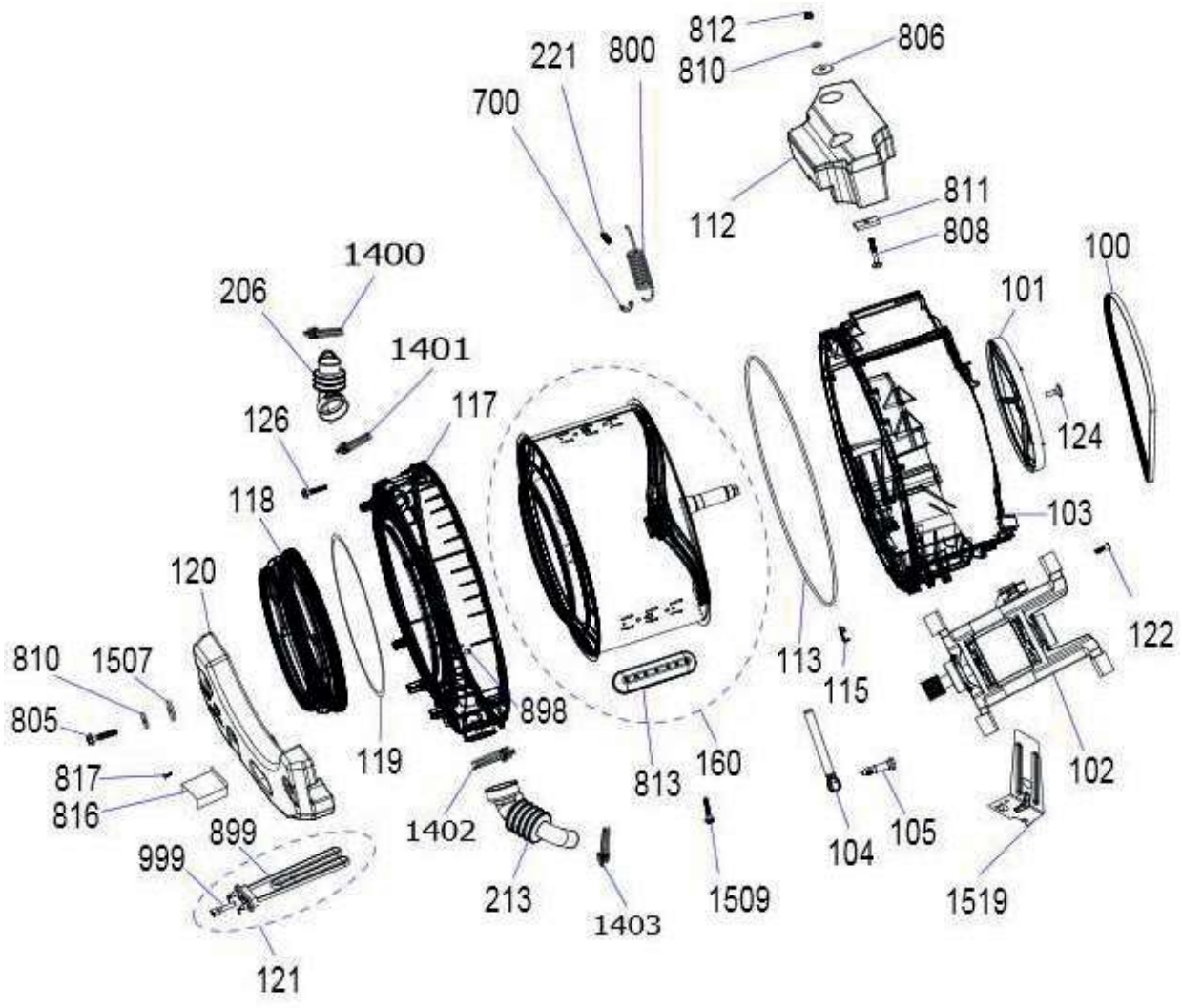
# Vue éclatée / Exploded view

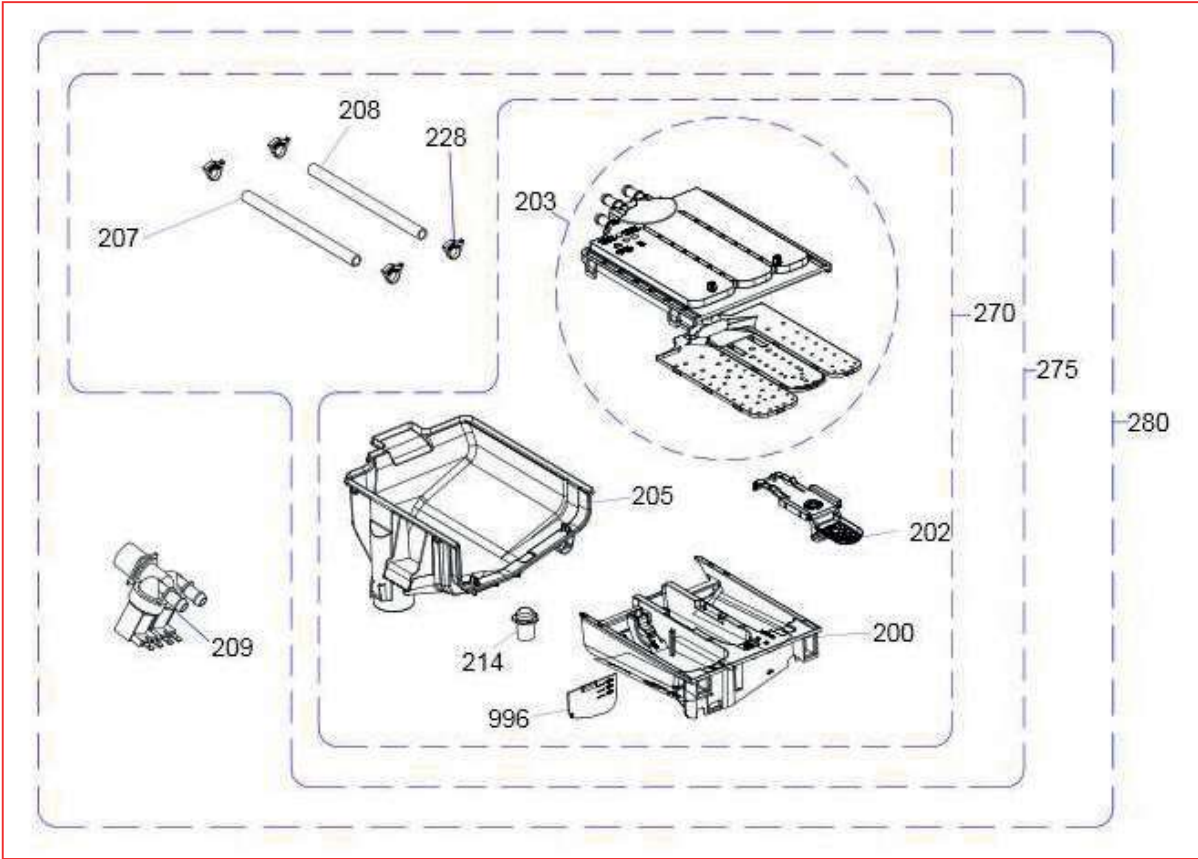


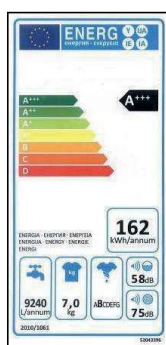
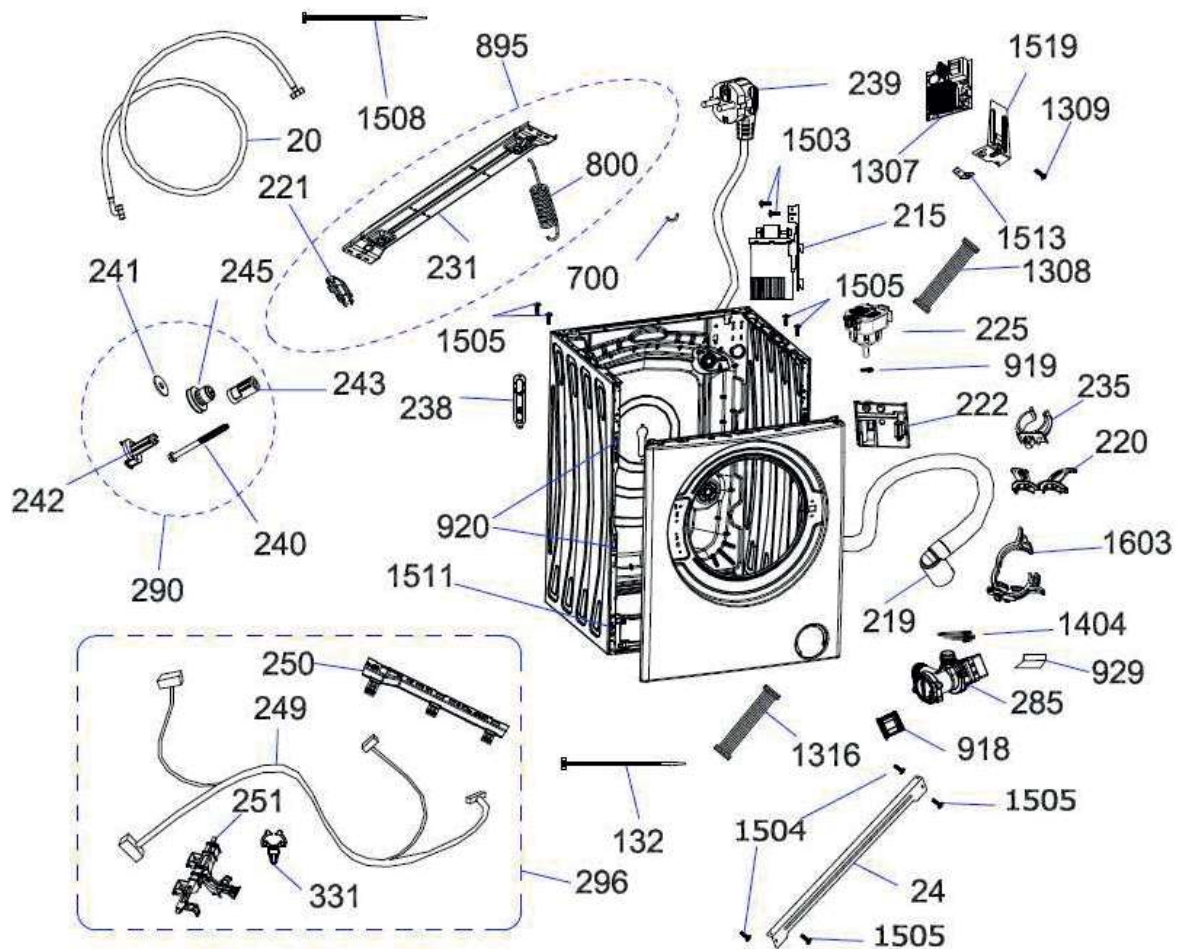
Toutes les informations, dessins, croquis et images dans ce document relèvent de la propriété exclusive de SOURCING & CREATION. SOURCING & CREATION se réserve tous les droits relatifs à ses marques, créations et informations. Toute copie ou reproduction, par quelque moyen que ce soit, sera jugée et considérée comme une contrefaçon.

All information, designs, drawings and pictures in this document are the property of SOURCING & CREATION. SOURCING & CREATION reserves all rights to its brands, designs and information. Any copy and reproduction through any means shall be deemed and considered as counterfeiting.

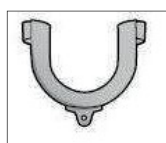








996

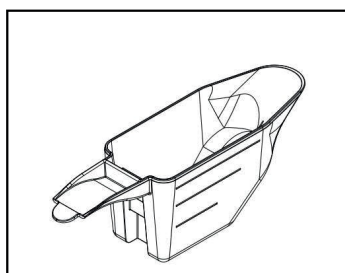


997

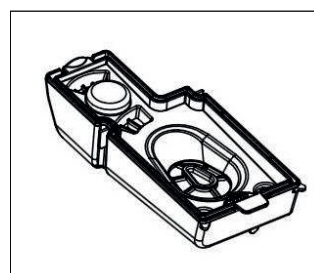


998

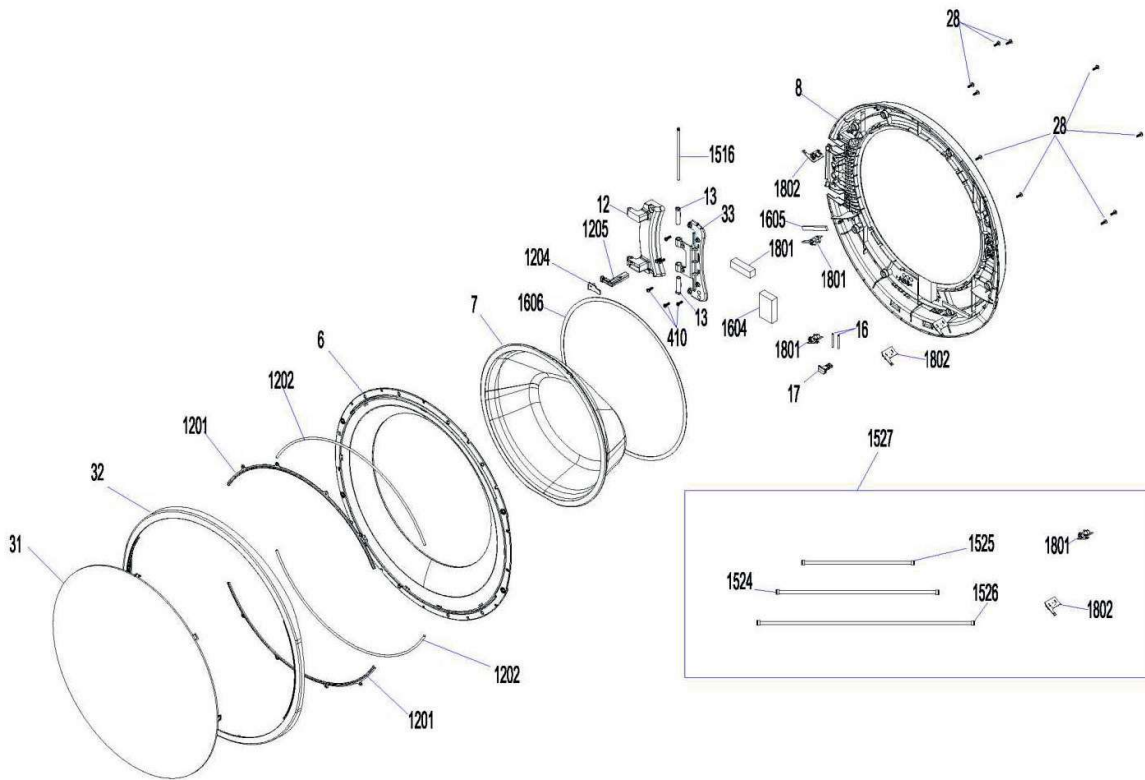
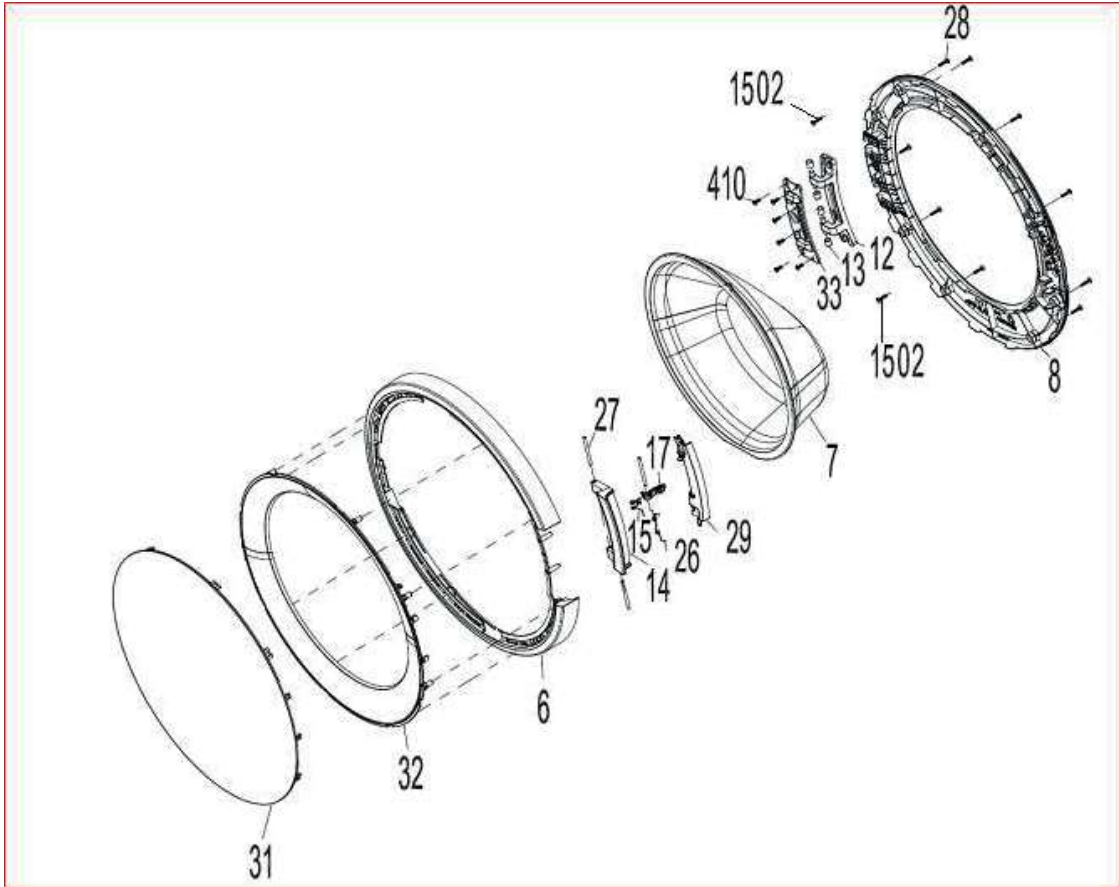
995

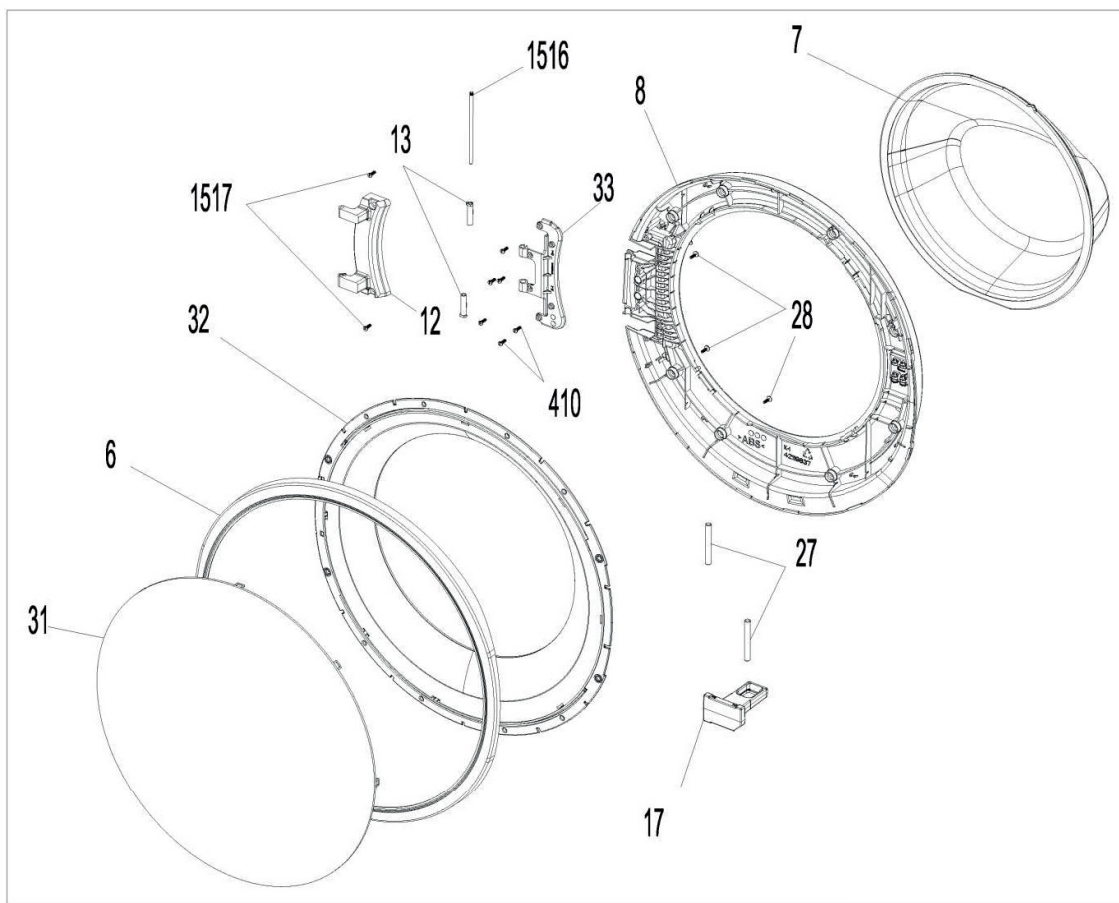


1900

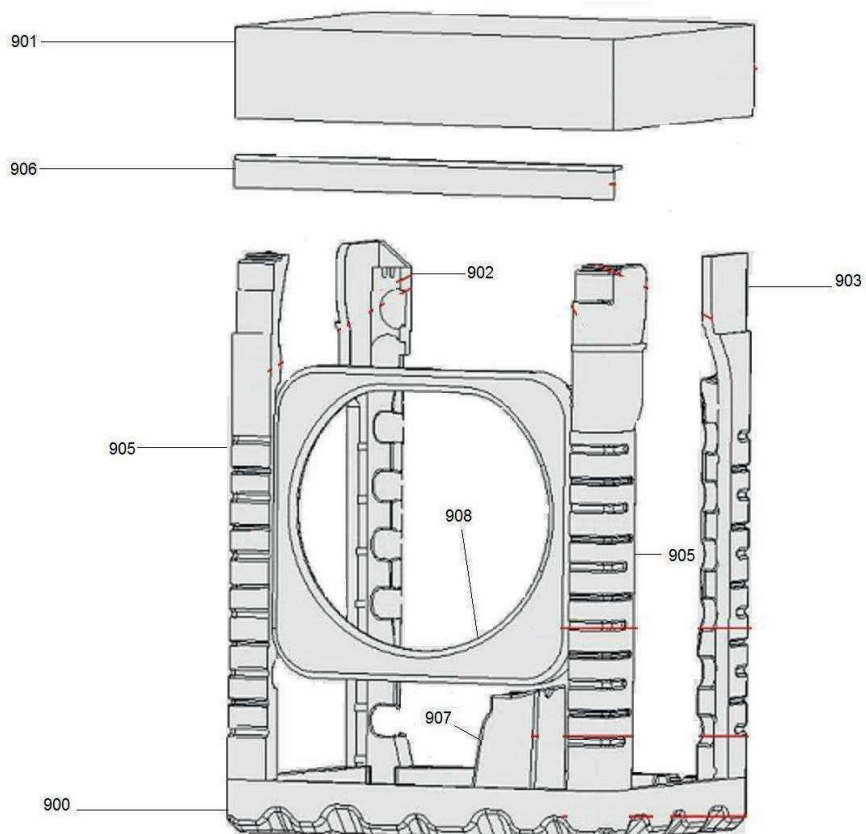


1901





50



## Liste des pièces détachées / Spare parts list

N° VUE	REF PIECE	DESIGNATION (FR)	DESIGNATION (ENG)	INFORMATION
1	22172965	MEUBLE	CABINET ASSEMBLY	
2	42148203	DESSUS COUVERCLE	TOP FRAME ASSEMBLY	
3	22063452	FACADE AVANT	FRONT PANEL	
5	47013982	PIED + ECROU M10	FEET + NUT M10	
6	42198717	ENJOLIVEUR HUBLOT (EXTERNE)	PORTHOLE TRIM (EXTERNAL)	
7	47003771	HUBLOT VERRE	DOOR GLASS	
8	42192251	CADRE PORTE HUBLOT	DOOR INSIDE FRAME	
9	37023407	COLLIER JOINT HUBLOT	DOOR GASKET FIXING RING	
10	32041480	SECURITE PORTE	SECURITE PORTE	
12	37015559	CHARNIERE HUBLOT	DOOR HINGE	
13	42023907	AXE CHARNIERE HUBLOT	HINGE AXIS ASSEMBLED DOOR	
17	37021930	CROCHET POIGNEE HUBLOT	DOOR HANDLE HOOK	
20	40014423	TUYAU ARRIVEE EAU	HOSE -WATER INLET	
24	22183972	TRAVERSE SUPERIEURE	UPPER SUPPORT BRACKET	
27	37002165	AXE CROCHET POIGNEE PORTE	HANDLE HOOK AXIS	
28	35008715	VIS 3.5*16	SCREW 3,5X9	
32	42198718	ENJOLIVEUR HUBLOT (INTERNE)	PORTHOLE TRIM (INTERNAL)	
33	37050539	SUPPORT CHARNIERE HUBLOT	DOOR HINGE HOLDER	
100	42006396	COURROIE 1236J6EL	BELT 1236J6EL	
101	22115425	POULIE TAMBOUR AXE=16mm	DRUM PULLEY axis=16mm	
102	32038585	MOTEUR KC 47MM SPOKE	MOTOR KC 47MM SPOKE	
103	22075312	CUVE 1/2 ARRIERE	REAR TANK GROUP	
104	47018455	AMORTISSEUR	SHOCK ABSORBER	
104	47018456	AMORTISSEUR	SHOCK ABSORBER	
105	42025094	AXE AMORTISSEUR	SHOCK ABSORBER PIN	
112	47013152	LEST SUPERIEUR	COUNTER WEIGHT(UPPER)	
113	42015077	JOINT DE CUVE	TUB SEAL	
115	37015387	SUPPORT RESISTANCE	HEATING ELEMENT SUPPORT	
117	42136490	CUVE 1/2 AVANT	TANK 1/2 FRONT	
118	42127245	JOINT HUBLOT	DOOR GASKET	
119	37008555	COLLIER JOINT HUBLOT/CUVE	CLAMP DOOR GASKET/TANK	
120	47009244	LEST AVANT	COUNTER WEIGHT (FRONT)	
121	22041236	RESISTANCE 2000W	HEATING ELEMENT 2000W	
122	37007899	VIS 8*28	SCREW 8X28	
124	22227543	ECROU + RONDELLE POULIE TAMBOUR	DRUM PULLEY NUT + WASHER	
126	37033462	VIS 1/2 CUVE AVANT-ARRIERE 6*35	SCREW REAR-FRONT TANK 1/2 6*35	
132	42048113	COLLIER PLASTIQUE	PLASTIC CLAMP	
160	22006748	TAMBOUR 69 F-SK	DRUM 69 F-SK	
200	42199987	BOITE LESSIVE COMPLETE	DETERGENT BOX ASSEMBLED	
202	42185061	SYPHON	SYPHON	
203	42199987	BOITE LESSIVE COMPLETE	DETERGENT BOX ASSEMBLED	
205	42199987	BOITE LESSIVE COMPLETE	DETERGENT BOX ASSEMBLED	
206	42167506	DURITE BOITE LESSIVE / CUVE	TUB INLET HOSE.	
207	42139738	DURITE ELECTROVANNE/BAC LESSIVE	HOSE VALVE/DETERGENT BOX 320MM	
208	42004538	DURITE ELECTROVANNE/BAC LESSIVE	HOSE VALVE/DETERGENT BOX 300MM	
209	32035767	ELECTROVANNE 2 VOIES	WATER INLET VALVE	
211	42071583	TUYAU PRESSOSTAT 545MM	PRESSURE SWITCH HOSE L=545MM	
212	42060770	CHAMBRE DE COMPRESSION	COMPRESSION CHAMBER	
213	42128034	DURITE CUVE/POMPE VIDANGE	TUB FILTER HOSE ASSEMBLY COMPLETE	

N° VUE	REF PIECE	DESIGNATION (FR)	DESIGNATION (ENG)	INFORMATION
214	42185070	SYPHON	SYPHON	
215	32027179	CONDO ANTIPARASITE	INTERFERENCE SUPPRESSOR	
219	42145700	TUYAU DE VIDANGE	HOSE DRAIN PUMP	
220	42019322	CROSSE TUYAU VIDANGE	DISCHARGE HOSE HOLDER	
221	42016727	ENTRETOISE RESSORT/MEUBLE	SPRING HANGER SHEET	
222	42022768	SUPPORT PRESSOSTAT	PRESSURE SWITCH BRACKET	
225	32025730	PRESSOSTAT ELECTRONIQUE	ELECTRONIC PRESURE SWITCH	
228	42225796	COLLIER	CLAMP	
231	22183992	SUPPORT RESSORT SUSPENSION	SPRING BRACKET	
234	37027058	COLLIER POMPE VIDANGE	DRAIN PUMP CLAMP	
235	40014270	COLLIER PASSE CABLE	CLAMP CABLE PASS	
238	42236479	CACHE ARRIERE VIS POULIE	REAR COVER PULLEY SCREW	
239	32016715	CABLE ALIMENTATION	POWER CORD ASSY.	
241	37015272	RONDELLE VIS POULIE TAMBOUR	WASHER SCREW DRUM PULLEY	
244	35008991	COLLIER DURITE PRESSOSTAT	PRESSURE SWITCH HOSE CLAMP	
250	42093407	SUPPORT	HOLDER	
251	42028367	SUPPORT CABLAGE	WIRING HOLDER	
270	42199987	BOITE LESSIVE COMPLETE	DETERGENT BOX ASSEMBLED	
285	32044540	POMPE VIDANGE PYTHON HANYU	DRAIN PUMP LEILI PYTHON HANYU	
290	37023467	KIT BRIDAGE UNITAIRE	TRANSPORT SAFETY ASSEMBLY	
295	42072717	DURITE CUVE/POMPE VIDANGE+CHAMBRE COMPRESSION+TUYAU PRESSOSTAT	TANK/DRAIN PUMP HOSE+COMPRESSION CHAMBER+PRESSURE SWITCH HOSE	
296	32035064	CABLAGE	WIRING	
331	42085086	SUPPORT CABLAGE	WIRING BRACKET	
400	42313618	FACADE TIROIR LESSIVE	DETERGENT DRAWER FRONT	
401	4231314	BANDEAU ELF11214-1B ESSENTIEL B	CONTROL PANEL ELF1214-1B ESSENTIEL B	
402	42228002	MANETTE PROGRAMMATEUR	PROGRAM SELECTOR ASSEMBLY	
403	42161575	AXE MANETTE PROGRAMMATEUR	PROGRAM SELECTOR AXIS	
410	37016360	VIS 4*12 TORX	SCREW 4X12 TORX	
411	42187918	BOITIER SUPPORT PLATINE	HOLDERBOX BOARD	
412	22326414	PLATINE T3 6CAFFF58E0220200 V16.2/4730	E.CARD T3 6CAFFF58E0220200 V16.2/4730	
419	22326415	PLATINE DISPLAY T3	DISPLAY CARD	
422	42191719	SUPPORT INTERNE PLATINE DISPLAY	CARD BOX INSERT	
424	42191771	SUPPORT EXTERNE PLATINE DISPLAY	CARD BOX	
499	32036419	CABLE COMMUNICATION	LCD COMMUNICATION CABLE	
501	37016375	RESSORT	SPRING	
700	42019298	DOUILLE RESSORT/CUVE	TUB HANGER SPRING	
701	42187827	SUPPORT CACHE POMPE	PUMP COVER HOUSING	
702	42187826	CACHE POMPE	PUMP COVER	
800	37026016	RESSORT	SPRING	
805	37023804	VIS LEST AVANT 10*52	SCREW 10*52 FRONT COUNTERWEIGHT	
806	35007454	RONDELLE POULIE	PLAIN WASHER 8.4X28X3	
808	37003063	VIS LEST SUPERIEUR	SCREW (COUNTERWEIGHT-UPPER)	
810	37006960	RONDELLE	WASHER	
811	37016379	RENFORT TOLE	SHEET METAL REINFORCEMENT	
812	37006921	ECROU M8	NUT M8	
813	42160220	AUBE	AGITATOR	
899	32009948	RESISTANCE 2000W (sans fusible)	HEATING ELEMENT 2000W ( Without fuse)	
918	42268877	BOUCHON POMPE	PUMP FILTER	
920	42020456	CLIPS PANNEAU AVANT	FRONT PANEL DROP FIXING PLASTIC	
921	42025993	DURITE TWIN JET SUPERIEURE GAUCHE	LEFT UPPER TWIN JET HOSE	
922	42025992	DURITE TWIN JET SUPERIEURE DROITE	RIGHT UPPER TWIN JET HOSE	
923	42025561	TE DEVIATEUR TWINJET	FITTING T DEVIATOR	
923	42063957	SUPPORT TUYAU	HOSE HOLDER	
924	37008653	COLLIER 72MM	CLAMP 72MM	
925	42025574	EMBOUT TWINJET	NOZZLE	
926	32027485	POMPE CIRCULATION TWINJET	CIRCULATION PUMP	

N° VUE	REF PIECE	DESIGNATION (FR)	DESIGNATION (ENG)	INFORMATION
927	42025867	SUPPORT DURITE TWINJET	HOSE HOLDER	
927	42094805	SUPPORT TUYAU	PIPE HOLDER	
929	47010025	PROTECTION POMPE VIDANGE	PUMP PROTECTION FOIL	
929	47016651	PROTECTION POMPE VIDANGE	PUMP PROTECTION FOIL	production 705365 à 712764
930	42148215	TUYAU POMPE CIRCULATION	CIRCULATION PUMP HOSE	
931	42145482	TUYAU POMPE CIRCULATION-JOINT HUBLLOT	HOSE CIRCULATION PUMP-PORHOLE GASKET	
933	42137164	JOINT HUBLLOT	PORHOLE GASKET	
934	42148239	ENSEMBLE TUYAU	HOSE GROUP	
996	42185073	KIT LESSIVE LIQUIDE	LIQUID DETERGENT LEVEL PLATE	
997	40020601	CROSSE TUYAU VIDANGE	DRAIN HOSE HOLDER	
998	42161854	CACHE LL BRIDAGE	REAR COVER CAP	
999	32025771	SONDE RESISTANCE FASTON	NTC TEMP. SEN.-RAST 2,5	
1100	42191714	COUVERCLE SUPPORT PLATINE	COVER HOLDER BOARD	
1103	42120198	DEVERROUILLAGE D'URGENCE	EMERGENCY LOCK RELEASE	
1200	37019456	SUPPORT CHARNIERE	HINGE HOLDER	
1307	22326277	PLATINE MOTEUR LG4730-VLC-V78.0 1469-PMM	MOTOR CARD LG4730-VLC-V78.0 1469-PMM	
1307	22395001	PLATINE MOTEUR 4730-VLC-V78.6 1469	MOTOR CARD 4730-VLC-V78.6 1469	ap 766602
1308	32032128	CABLE	CABLE	
1309	37016371	VIS M4*8	SCREW M4X8	
1316	32025275	CABLE	CABLE	
1317	42110927	SUPPORT AMORTISSEUR	SHOCK ABSORBER SUPPORT	
1402	35007369	COLLIER DURITE CUVE/POMPE VIDANGE + VIS 72mm	HOSE CLAMP + SCREW 72MM	
1403	37027638	COLLIER Ø38,8	HOSE CLAMP (ø 38,8)	
1500	37015098	VIS 4,8X9,5	SCREW 4,8X9,5	
1501	37014455	VIS 4.2*16	SCREW 4,2X16	
1502	37035481	VIS CHARNIERE HUBLLOT	SCREW HINGE DOOR	
1504	37014453	VIS 4.2*13	SCREW 4,2X13	
1507	37019417	RONDELLE 30x10X3mm	WASHER 30x10X3mm	
1508	40007592	SUPPORT CABLE	CABLE HOLDER	
1509	37016359	VIS	SCREW	
1511	42088991	CLIP FIXATION BANDEAU AVANT	FRONT BAND FIXATION CLIP	
1513	32018631	COSSE MALE	MALE GROUND TERMINAL (STEEL)	
1514	37018147	B	SHOCK ABSORBER NUT M6	
1519	37020792	SUPPORT	HOLDER	
1603	42026116	SUPPORT TUYAU	HOSE HOLDER	