

essentiel 

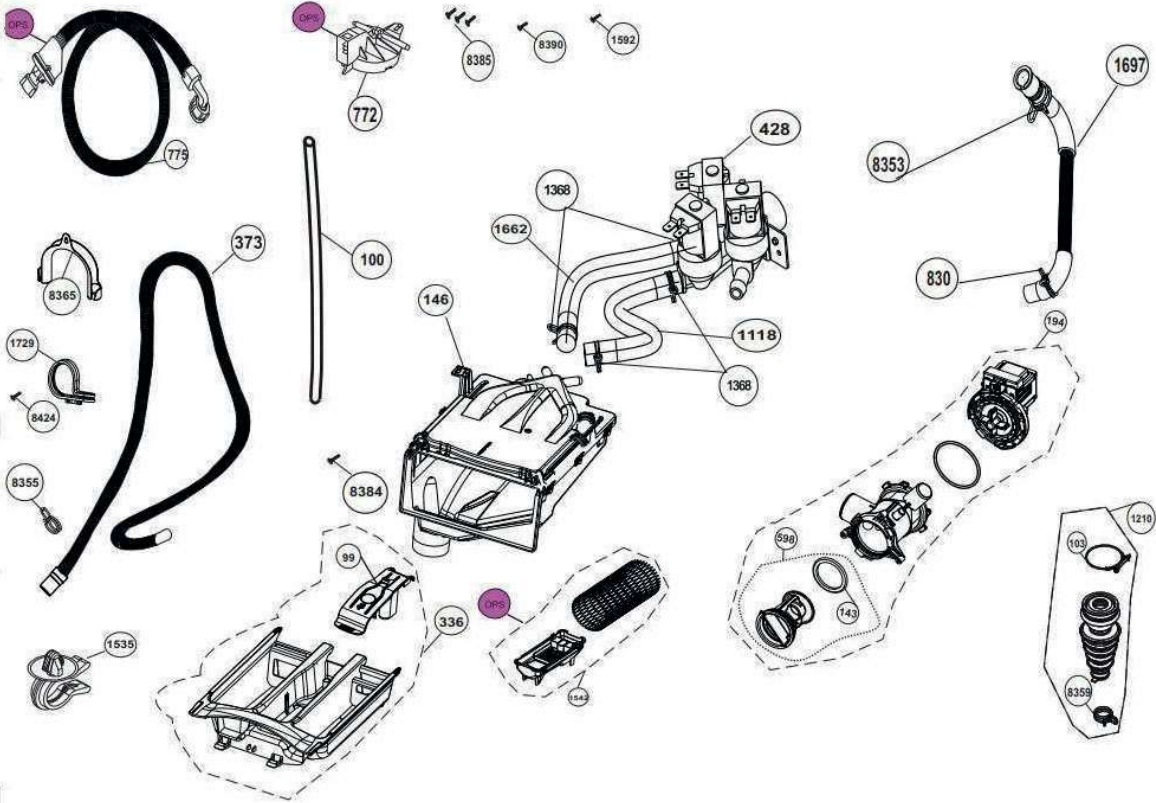
Lave-linge / Washing machine
ELS85-1B



Vue éclatée / Exploded view

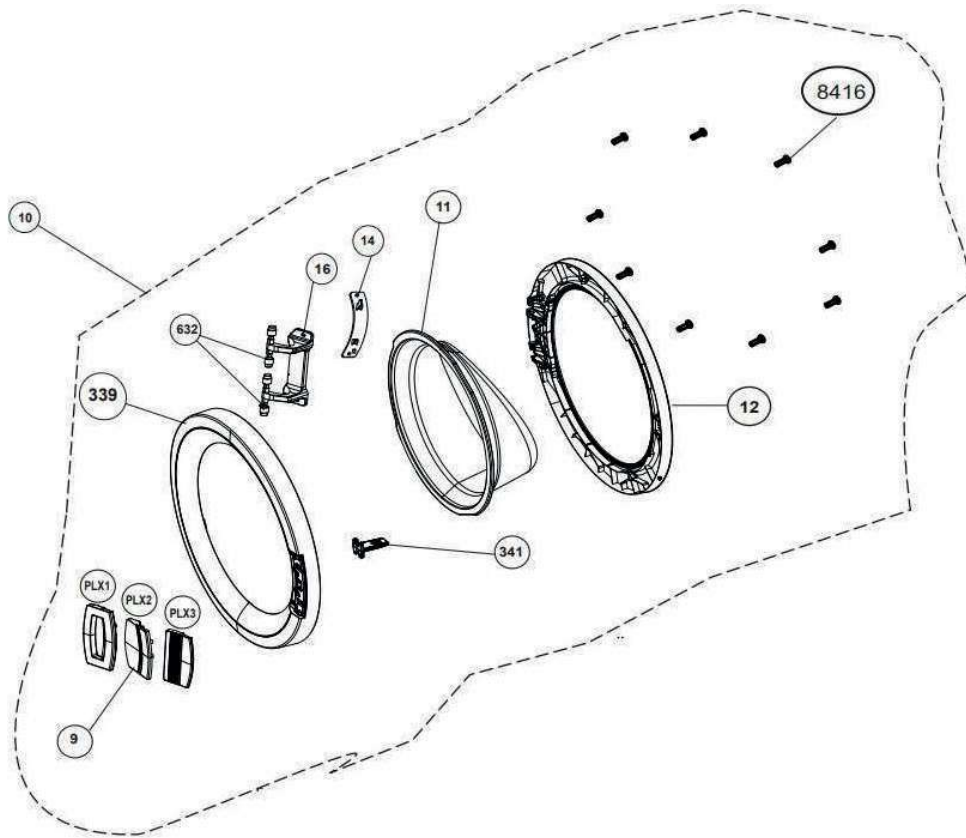
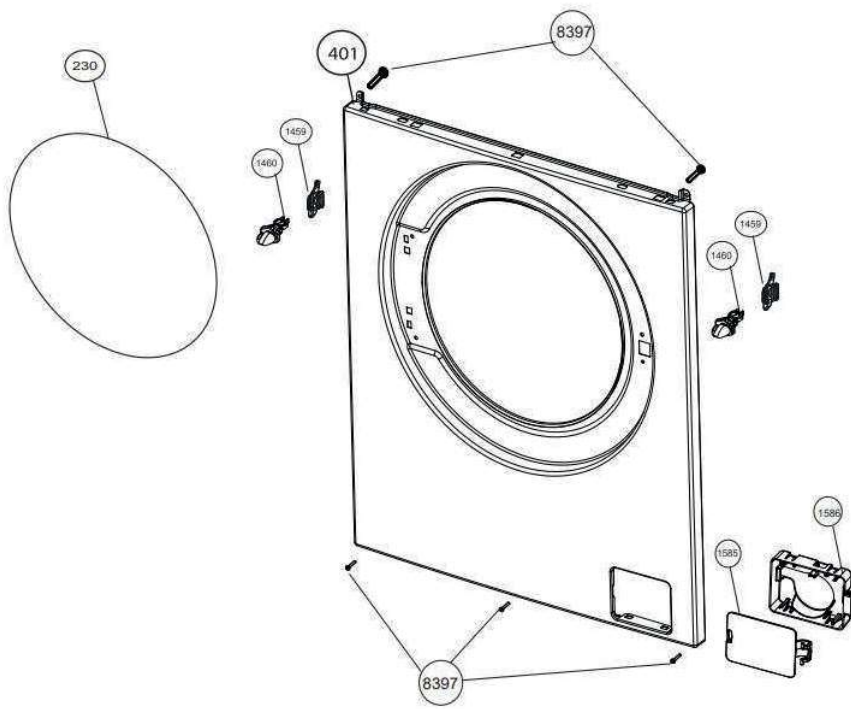
8010331

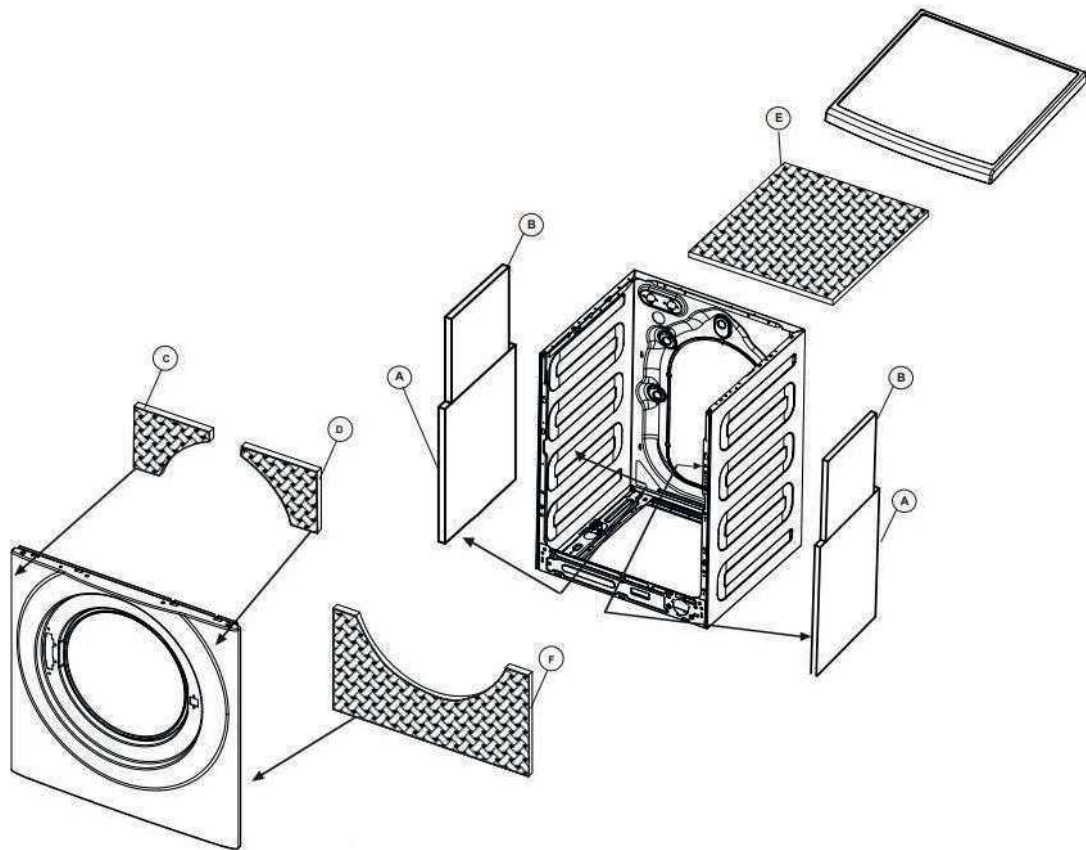
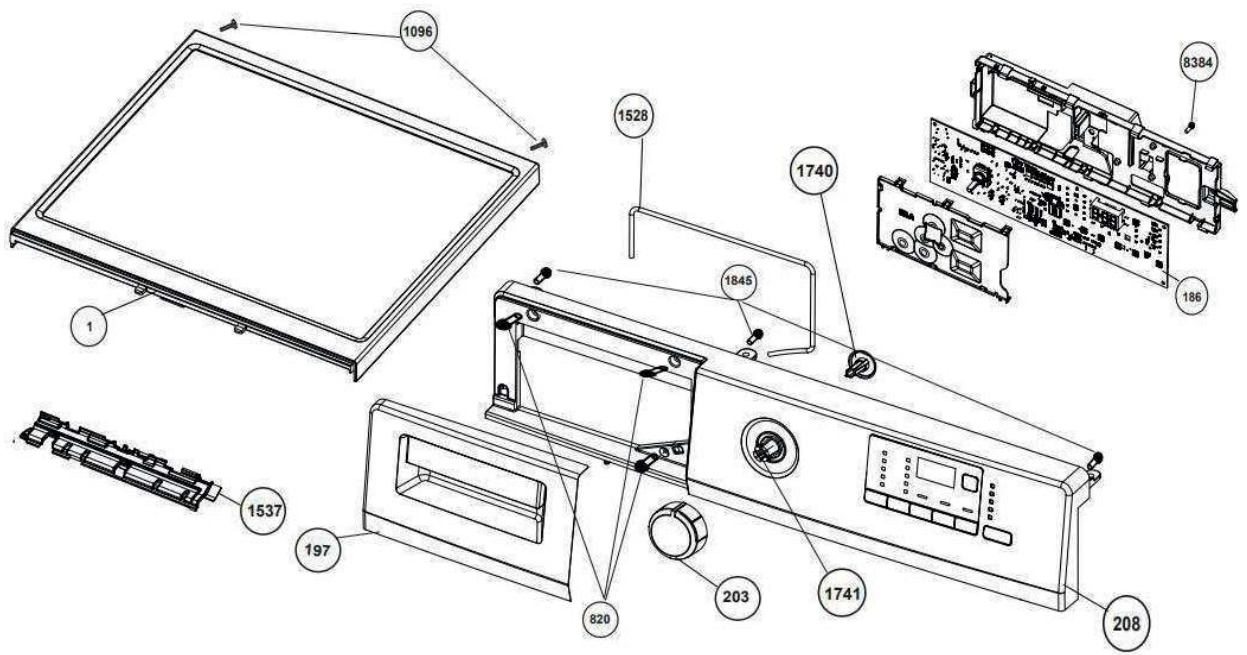
Vue éclatée / Exploded view

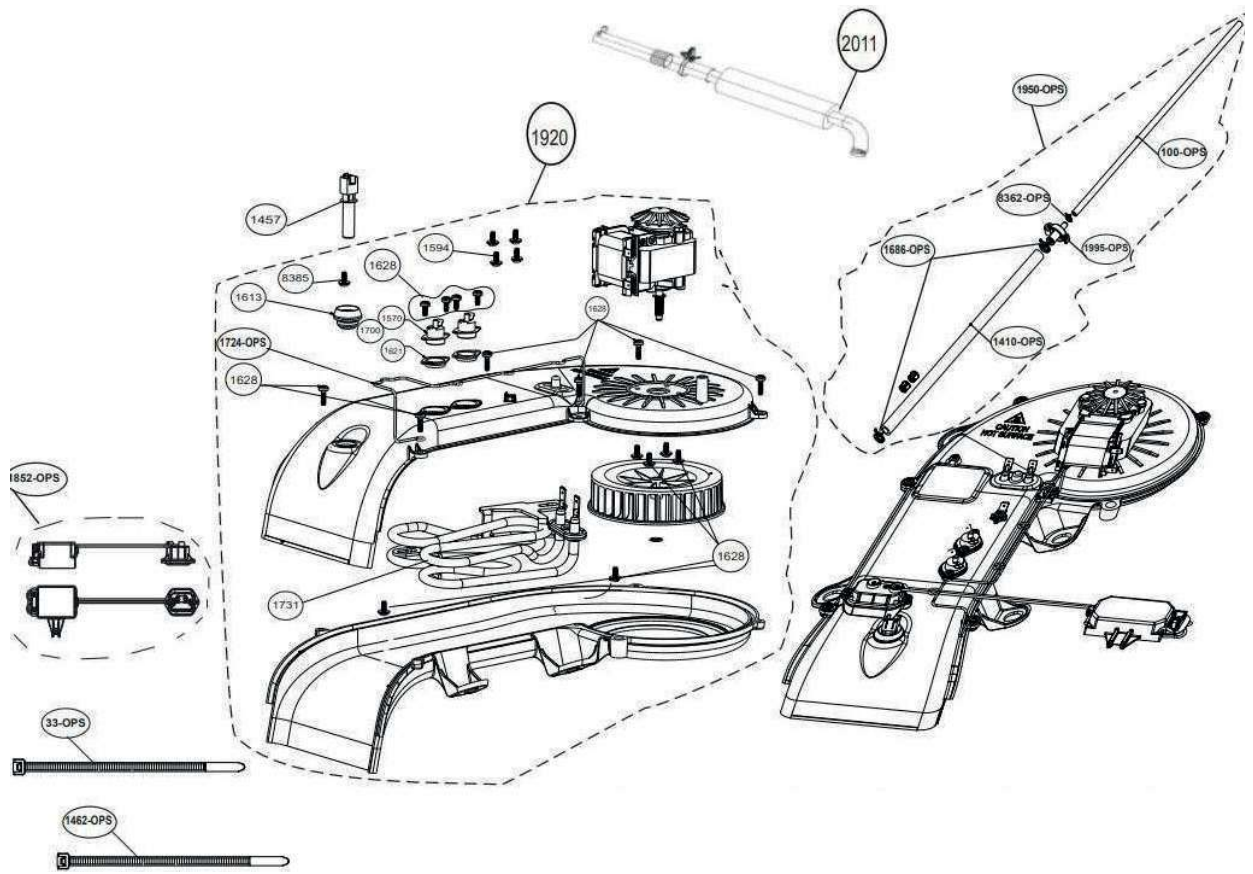


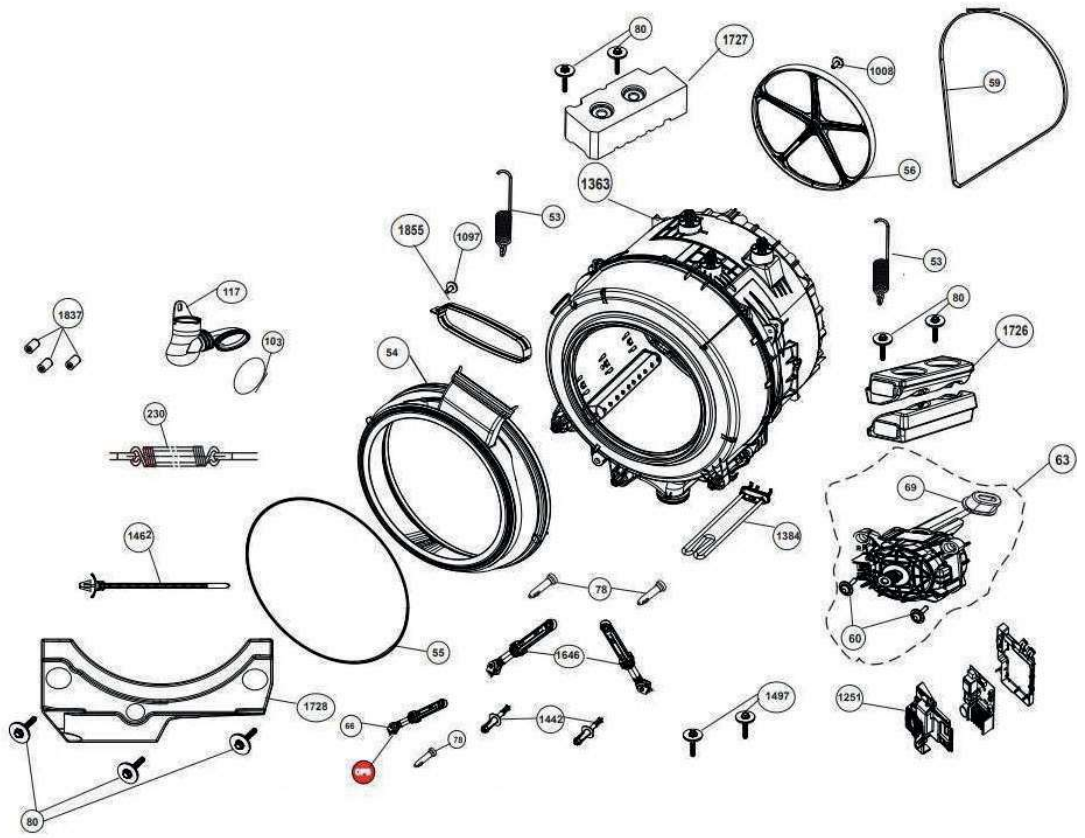
Toutes les informations, dessins, croquis et images dans ce document relèvent de la propriété exclusive de SOURCING & CREATION. SOURCING & CREATION se réserve tous les droits relatifs à ses marques, créations et informations. Toute copie ou reproduction, par quelque moyen que ce soit, sera jugée et considérée comme une contrefaçon.

All information, designs, drawings and pictures in this document are the property of SOURCING & CREATION. SOURCING & CREATION reserves all rights to its brands, designs and information. Any copy and reproduction through any means shall be deemed and considered as counterfeiting.









Liste des pièces détachées / Spare parts list

N° VUE	REF PIECE	DESIGNATION (FR)	DESIGNATION (ENG)	INFORMATION
1	2466300117	DESSUS	TOP FRAME ASSEMBLY	
10	2505700400	HUBLLOT COMPLET	FRONT DOOR ASSEMBLY PLX YK (PLS MEN)	
1008	2829960200	VIS DE FIXATION POULIE	PULLEY FIXING SCREW	
103	2814430100	COLLIER DE DURITE	HOSE CLAMP	
106	2426000200	TUYAU D'ARRIVEE D'EAU	HOSE -WATER INLET SLIM-COLD	
1096	2836970300	VIS (4X11)	SCREW (4x11)	
1097	2836970200	VIS	SCREW	
11	2842650100	HUBLLOT VERRE	DOOR GLASS	
1102	2907190200	TUYAU L=360mm	HOSE L=360mm	
1108	2907190800	TUYAU L=150mm Diam.int = 8mm	HOSE L=150mm Diam.int = 8mm	
117	2846690100	DURITE BOITE/CUVE	TUB INLET HOSE	
1210	2865200100	DURITE CUVE/POMPE	TUB-FILTER HOSE ASSEMBLY COMPLETE	
1251	2500001000	MODULE DE PUISSANCE POUR MOTEUR	MOTOR BOARD ASSY.	
13	2849660500	SECURITE DE PORTE	DOOR LOCK	
1347	2820980100	TUYAU EN Y	Y PIPE	
1363	2435301800	BLOC LAVEUR	WELDED TUB ASSEMBLY	
1384	2882601700	RESISTANCE	HEATER ASSEMBLY with NICKEL	
14	2850610100	CHARNIERE	BX XL HINGE	
1406	2820820100	PROTECTION CHASSIS	CHASSIS FLAP	
1410	2907192800	TUYAU L=130mm Diam.int = 9mm	HOSE L=130mm Diam.int = 9mm	
1442	2817050400	AXE AMORTISSEUR DIAM = 11mm	SHOCK ABSORBER PIN Diam = 11mm	
1457	2971900200	SONDE TEMPERATURE CTN (EPCOS-12K)	NTC (EPCOS_12K)	
1459	2826440100	CLIP FEMELLE FIXATION FACADE	FRONT WALL HOLDER	
146	2478800600	BOITE A PRODUIT	DETERGENT BOX ASSEMBLY	
1460	2826450100	CLIP MALE FIXATION FACADE	FRONT WALL HOLDER PIN	
1462	9001230100	COLLIER PLASTIQUE	PLASTIC CLAMP	
1467	9003860800	VIS	SCREW.	
1467	9003860400	VIS	SCREW.	
149	2847280100	CONTREPOIDS AVANT	FRONT COUNTERWEIGHT	
1519	2828341200	BORDURE	EDGE COVER	
1528	2828820400	JOINT FACADE BOITE A LESSIVE/BANDEAU	PANEL GASKET	
1529	2831380100	SERRE CABLE	CABLE HOLDER	

1538	2907193400	TUYAU L=110mm	HOSE L=110 mm	
1570	2838870100	THERMOSTAT REARMABLE (SECTION SECHAGE)	THERMAL CUTOUT (DRYING SECTION)	
1575	2858560100	BORNE DE LIAISON	TERMINAK SHEET	
1585	2709970100	COUVERCLE POMPE	PUMP COVER ARCP1 WHITE	
1586	2709960100	SUPPORT POUR POMPE	BX PUMP HOLDER (PUSH-UP)	
1592	2707730400	VIS (3x4,5)	PLASTIC SCREW 3x4_5	
1594	2841880100	FIXATION MOTEUR	DD MOTOR MOUNTING FIX	
16	2835320200	SUPPORT CHARNIERE	HINGE SUPPORT BRACKET	
1613	2837010100	JOINT (NTC)	NTC SEAL	
162	2827981200	FILTRE ANTIPARASITE	INTERFERENCE SUPPRESSOR	
162	2834310400	FILTRE ANTIPARASITE	INTERFERENCE SUPPRESSOR	
1621	2837350100	JOINT (THERMOSTAT)	THERMOSTAT SEAL	
1628	2837850100	VIS EN ALUMINIUM	ALUMINUM SCREW(SELF THREAD)	
1640	2466301501	PRESSOSTAT	PRESSURE SWITCH	
1640	2828170500	PRESSOSTAT	PRESSURE SWITCH	
1640	2833830300	PRESSOSTAT	PRESSURE SENSOR METALFLEX	
1643	2499700700	TUYAU DIRECTIONNEL POUR CONDUIT DE CHAUFFAGE	HEATING DUCT FOAM DIRECTIONAL HOSE	
166	2507602600	FILERIE PRINCIPALE	MAIN CABLE HARNESS	
1686	2002374300	COLLIER Ø1.8	HOSE CLAMP (ø 1.8)	
169	2836390100	CORDON SECTEUR	POWER CORD ASSY.	
1697	2439500300	TUYAU DE CONDENSEUR L=400mm Diam.int = 15mm	CONDENSER PIPE L=400mm Int. Diam. =	
1700	2907160100	THERMOSTAT 175°C	THERMAL PROTECTOR 175°C	
1701	2837560100	COLLIER PLASTIQUE	PINNED CABLE CONNECTOR	
1714	2434000300	CHAMBRE DE CHAUFFE AVEC VENTILATEUR	HEATER CHANNEL GROUP	
1715	2433800100	BAC DE CONDENSATION	CONDENSER GROUP	
1724	2845970200	FIL PORTE CABLE	CABLE HOLDER WIRE	
1726	2847050200	CONTREPOIDS LATERAL	SIDE COUNTERWEIGHT	
1729	2845640100	SUPPORT TUYAU VIDANGE	DRAIN HOSE HOLDER	
1730	2847570100	PIECE DE TRANSITION TUYAU VIDANGE	DRAIN HOSE PART TRANSITIONAL	
1731	2845930400	ENSEMBLE CHAUFFAGE 1300W 210x95x65mm	HEATER ASSEMBLY 1300W 210x95x65mm	
1731	2845930500	ENSEMBLE CHAUFFAGE 1300W 210x95x65mm	HEATER ASSEMBLY 1300W 210x95x65mm	
1731	2845930100	ENSEMBLE CHAUFFAGE 1300W 210x95x65mm	HEATER ASSEMBLY 1300W 210x95x65mm	
1740	2852930200	PROTECTION DE L'ENCODEUR	ENCODER PROTECTOIN PART	
1741	2850350100	EMBRAYAGE	INNER PART	

1785	9003611200	VIS (B4 2X11,5)	SHEET METAL SCREW(B4_2x11.5-TOOTHED)	
18	2912701400	PIED AJUSTABLE	ADJUSTABLE FEET ASSEMBLY	
18	2912700500	PIED AJUSTABLE	ADJUSTABLE FEET ASSEMBLY	
1824	2845550100	JOINT CONDENSEUR	CONDENSER GASKET	
1825	2845560200	JOINT EPONGE (CONDENSEUR)	CONDENSER SPONGE TOP	
1828	2907195400	TUYAU L=95mm	HOSE L=95 mm	
1837	2443900200	BUTEE	CUSHION SHEET ASSEMBLY	
1845	9003272500	VIS	PLASTIC SCREW	
1855	2855230100	COLLIER	HOSE CLAMP	
186	2487802550	CARTE AFFICHAGE	C7S SYK DISPLAY CARD ASS.	
1862	2504400100	CARTER DE POMPE	PUMP COVER ASSEMBLY ARC P1 WHITE	
1869	2853170100	SECURITE D'OUVERTURE DE PORTE	SECURITY SWITCH OPENING PART	
1873	2848250100	PIECE DE FIXATION GAUCHE	TOP FRAME FIXING PART LEFT	
1874	2847840100	PIECE DE FIXATION DROITE	TOP FRAME FIXING PART RIGHT	
1900	2843610700	COLLIER	HOSE CLAMP	
1922	2860440100	SUPPORT CABLE	C7S CABLE HOLDER	
1923	2487904000	MODULE DE PUISSANCE	C7S SYK ANKASTRE POWER KART	
1923	2487901000	MODULE DE PUISSANCE	C7S SYK POWER KART	
1935	2857070100	OUTIL LIQUIDE DETERGENT	LIQUID DETERGENT TOOL	
194	2840940100	POMPE DE VIDANGE	PUMP-FILTER ASSEMBLY	
194	2840941500	POMPE DE VIDANGE	PUMP-FILTER ASSEMBLY	
1958	2422600400	TUYAU D'AIR	AIR PIPE HOSE	
197	2459509238	PANNEAU DE TIROIR	DRAWER PANEL	
20	2737602000	VIS BRIDAGE (TRANSPORT)	TRANSPORT SAFETY ASSEMBLY (W&D)	
2011	1430600200	TUYAU L=345mm Diam.int = 8mm	HOSE ASSEMBLY L=345mm Diam.int = 8mm	
203	2462001000	BOUTON PROGRAMMATEUR	SELECTOR KNOB ASSEMBLY PLX	
208	2490909027	CORPS DU PANNEAU ASSEMBLE	PANEL BODY ASSY.	
230	2603901100	COLLIER FIXATION MANCHETTE	CABINET BELLOWS CLAMP ASSEMBLY	
25	2801540300	BOUCHON COUVERCLE ARRIERE	REAR COVER CAP	
25	2801540200	BOUCHON COUVERCLE ARRIERE	REAR COVER CAP	
33	9001230800	COLLIER PLASTIQUE 152MM	PLASTIC CLAMP 152 mm	
336	2478900400	BAC A PRODUIT	DETERGENT DRAWER ASSEMBLY SNAP FIT	
336	2857080300	BAC A PRODUIT	DETERGENT DRAWER	
336	2857080400	BAC A PRODUIT	DETERGENT DRAWER	

336	2478900300	BAC A PRODUIT	DETERGENT DRAWER ASSEMBLY SNAP FIT	
339	2709440500	COUVERCLE EXTERIEUR	OUTER COVER BX XL	
341	2851560200	CROCHET DE PORTE	PULL OPEN HOOK	
373	2803804000	TUYAU DE VIDANGE	DISCHARGE HOSE ASSEMBLY	
373	2737902400	TUYAU DE VIDANGE	DISCHARGE HOSE ASSEMBLY(COMPLETE)	
401	2851420800	FACADE AVANT	FRONT PANEL ARCP1 BX_XL	
411	2811230100	FIXATION TUYAU DE VIDANGE	DISCHARGE HOSE HOLDER	
428	2005680800	ELECTROVANNE 3 VOIES	WATER INLET VALVE (TRIPLE)	
45	2847060300	CONTREPOIDS SUPERIEUR	UPPER COUNTERWEIGHT	
53	2820360600	RESSORT	SUSPENSION SPRING	
54	2856910200	MANCHETTE	DOOR HOOD RUBBER	
55	2802580600	RESSORT INTERIEUR FIXATION MANCHETTE	DOOR GASKET SPRING	
56	2853680300	POULIE	PLASTIC PULLEY	
59	2907260500	COURROIE POLY-V 1171J5EL	ELASTIC POLY-V BELT 1171J5EL	
598	2505500100	BOUCHON DE POMPE	FILTER ASSEMBLY	
598	2872700100	BOUCHON DE POMPE	FILTER ASSEMBLY	
60	2818450500	VIS FIXATION MOTEUR	ENGINE CONNECTION SCREW	
60	2818450100	VIS FIXATION MOTEUR	ENGINE CONNECTION SCREW	
617	2703946400	FEUTRE	FELT WITH ADHESIVE	
63	2843120300	MOTEUR (ATLAS 32MM)	MOTOR (ATLAS 32 MM)	
658	9003860600	VIS	SCREW.	
66	2816871100	AMORTISSEUR DE CHOCS	SHOCK ABSORBER	
682	2811250100	ECROU HEXAGONAL A COLLERETTE	M8 x 1_25 FLANGED NUT	
7	2827610100	PANNEAU ARRIERE BLANC	BACK COVER WHITE	
719	2853580100	SUPPORT A PRISE	PLUG HOLDER(NATURAL)	
724	2858170200	MOUSSE	E600 WW_BUILT-IN WD_MED WD_Aquatech	
78	2801430400	AXE AMORTISSEUR	SHOCK ABSORBER PIN	
78	2817050300	AXE AMORTISSEUR	SHOCK ABSORBER PIN	
78	2801430300	AXE AMORTISSEUR	SHOCK ABSORBER PIN	
78	2801430300	AXE AMORTISSEUR	SHOCK ABSORBER PIN	
797	2831370100	SUPPORT CABLE	CABLE HOLDER	
80	2898400200	VIS CONTREPOIDS	SPECIAL BOLT.	
820	2834830300	VIS	SHEET SCREW (SELF ADJUSTING THREADING)	
827	2832240400	EQUERRE	TOP SUPPORT BRACKET	
830	2002371300	COLLIER Ø 20,2	HOSE CLAMP (Ø 20.2)	

8355	2002371700	COLLIER Ø 28,7	HOSE CLAMP (Ø 28_7)	
8359	2002372400	COLLIER Ø 38,8	HOSE CLAMP (Ø 38.8)	
8365	2828040300	CROSSE MAINTIEN TUYAU VIDANGE	DRAIN HOSE HOLDER	
8396	111201010	BOULON ((AM5x11 DIN 7985 4.8 TORX)	BOLT (AM5x11 DIN 7985 4.8 TORX)	
8397	9003610500	VIS (B4 2x9,5)	HEET METAL SCREW(B4_2x9_5-TOOTHED)	
8397	9003610900	VIS (B4 2x9,5)	SHEET METAL SCREW (B4.2x9.5 K=8 TOOTHED)	
8398	9003670300	VIS	SCREW FOR PLASTICS	
8399	9003270900	VIS	PLASTIC SCREW	
8416	2832450100	VIS	SPECIAL PT SREW	
8419	9001230300	COLLIER PLASTIQUE 100MM	PLASTIC CLAMP 100 mm	
8424	9003611100	VIS (B4.2x9,5)	SHEET METAL SCREW(B4.2x9.5)	
8430	2826150100	COLLIER DE SERRAGE	HOSE CLAMP	
8431	2826150200	COLLIER DE SERRAGE	HOSE CLAMP	
8440	1912250200	VIS	PLASTIC SCREW	
8440	1912250400	VIS	PLASTIC SCREW	
9203	1803431300	VIS	PLASTIC SCREW	
953	2903090600	PROTECTION SECURITE DE PORTE	DOOR LOCK WATER PROTECTOR	
99	2857090100	SIPHON	SIPHON	