

essentiel 

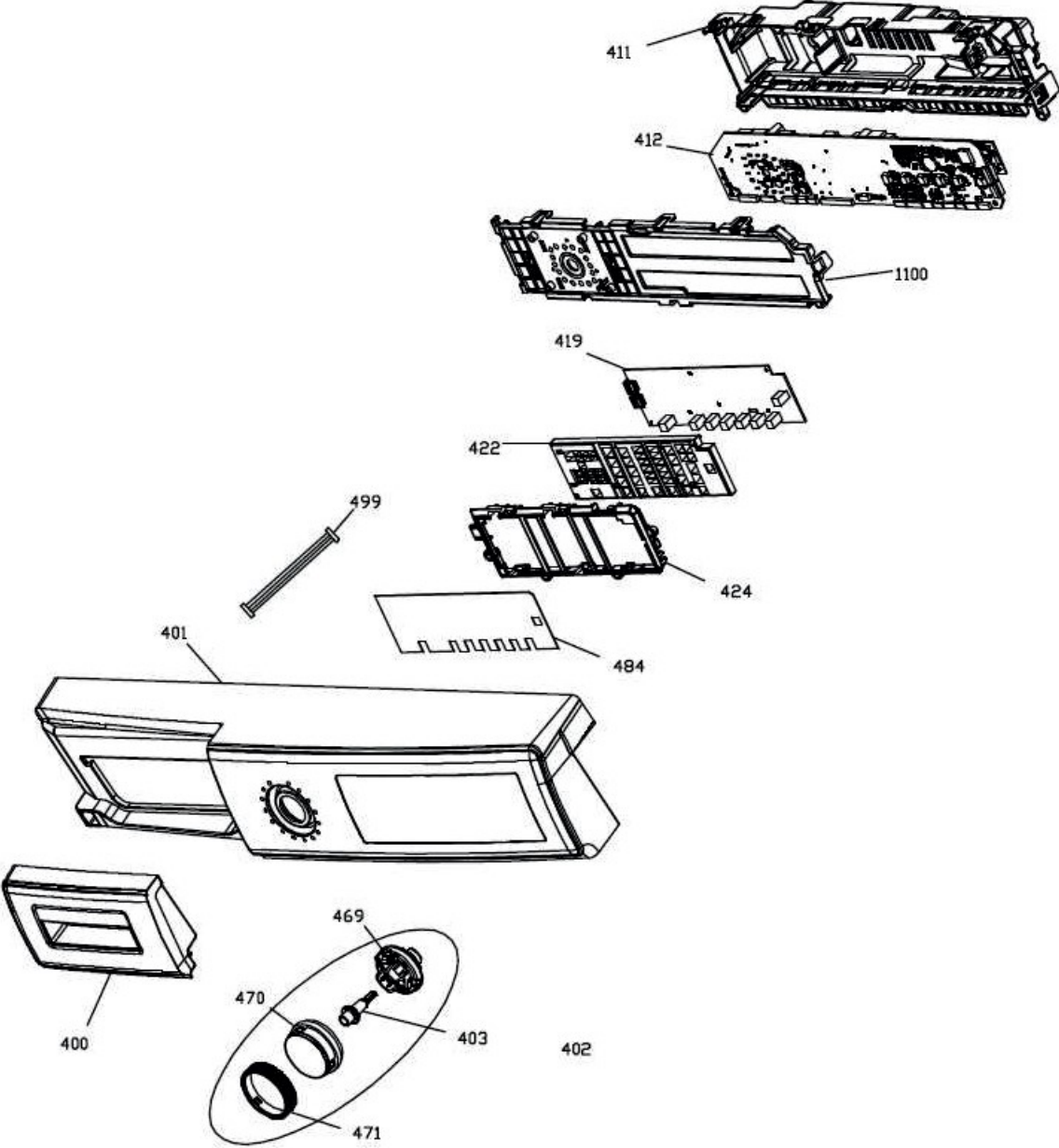
Lave-linge / Washing machine  
ELF814 3B



**Aide à la réparation / After-sales solutions**

8010380

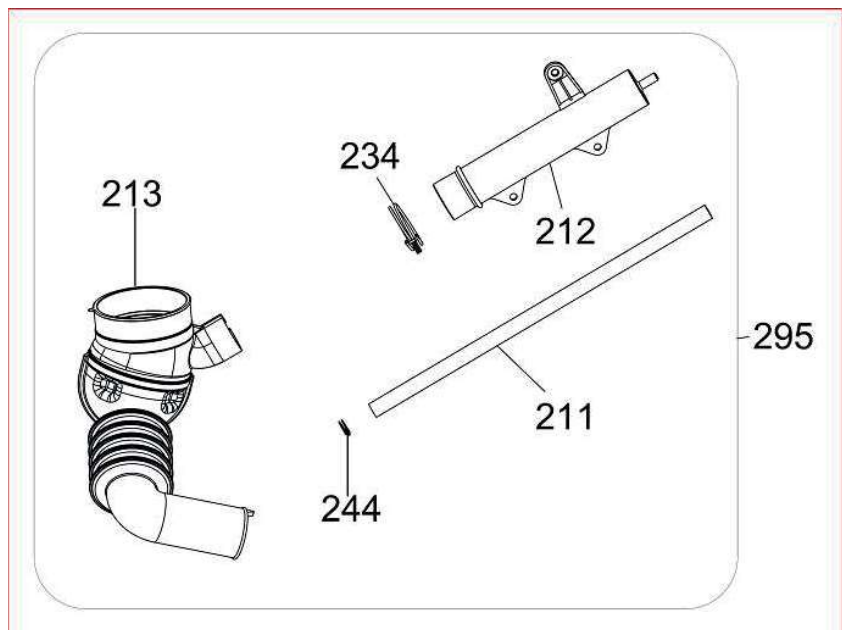
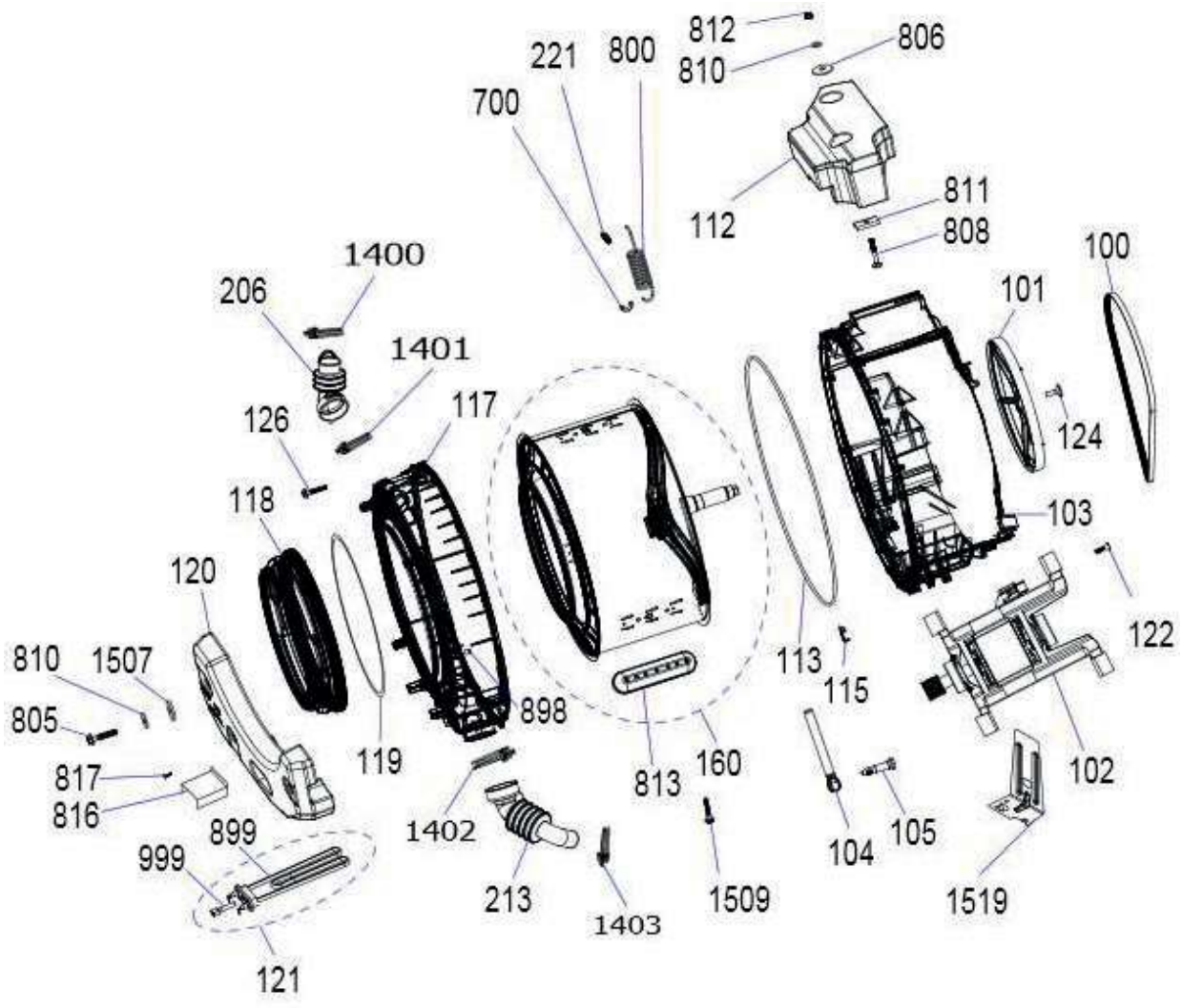
# Vue éclatée / Exploded view

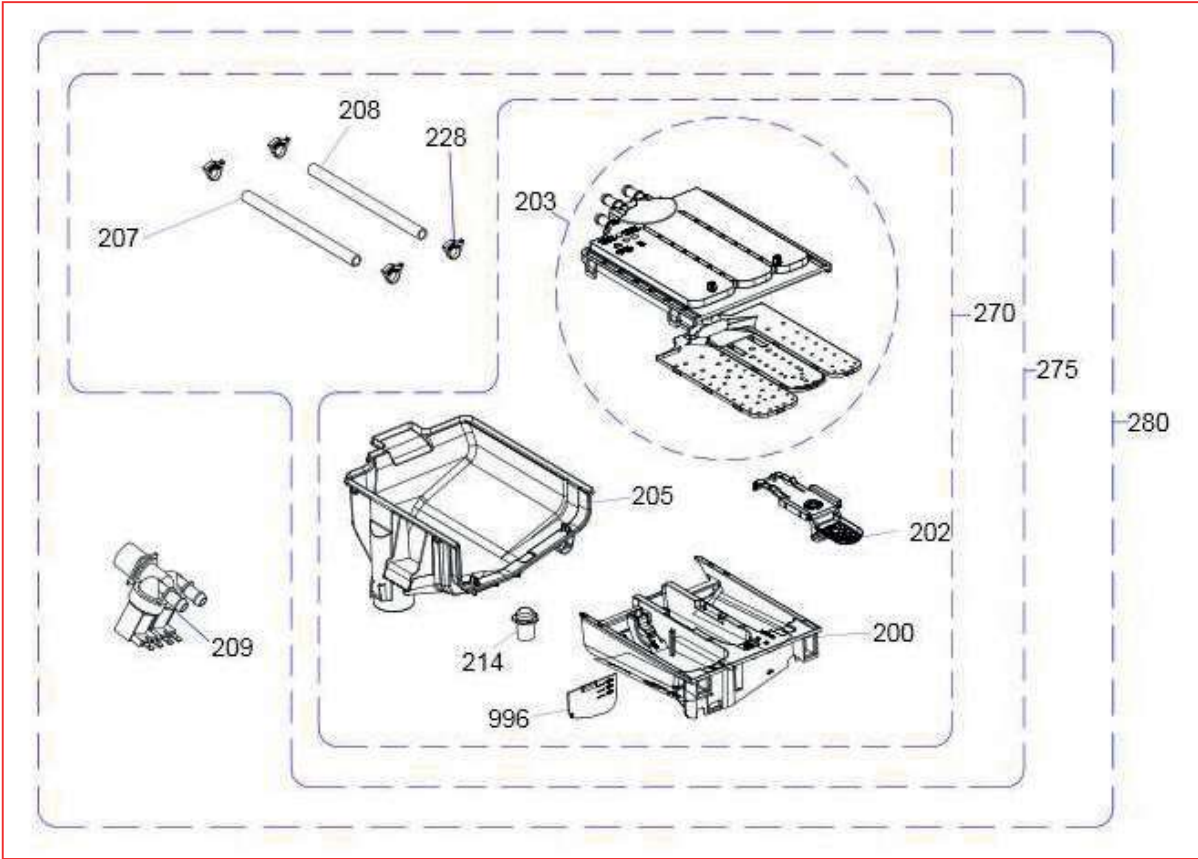


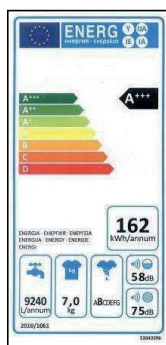
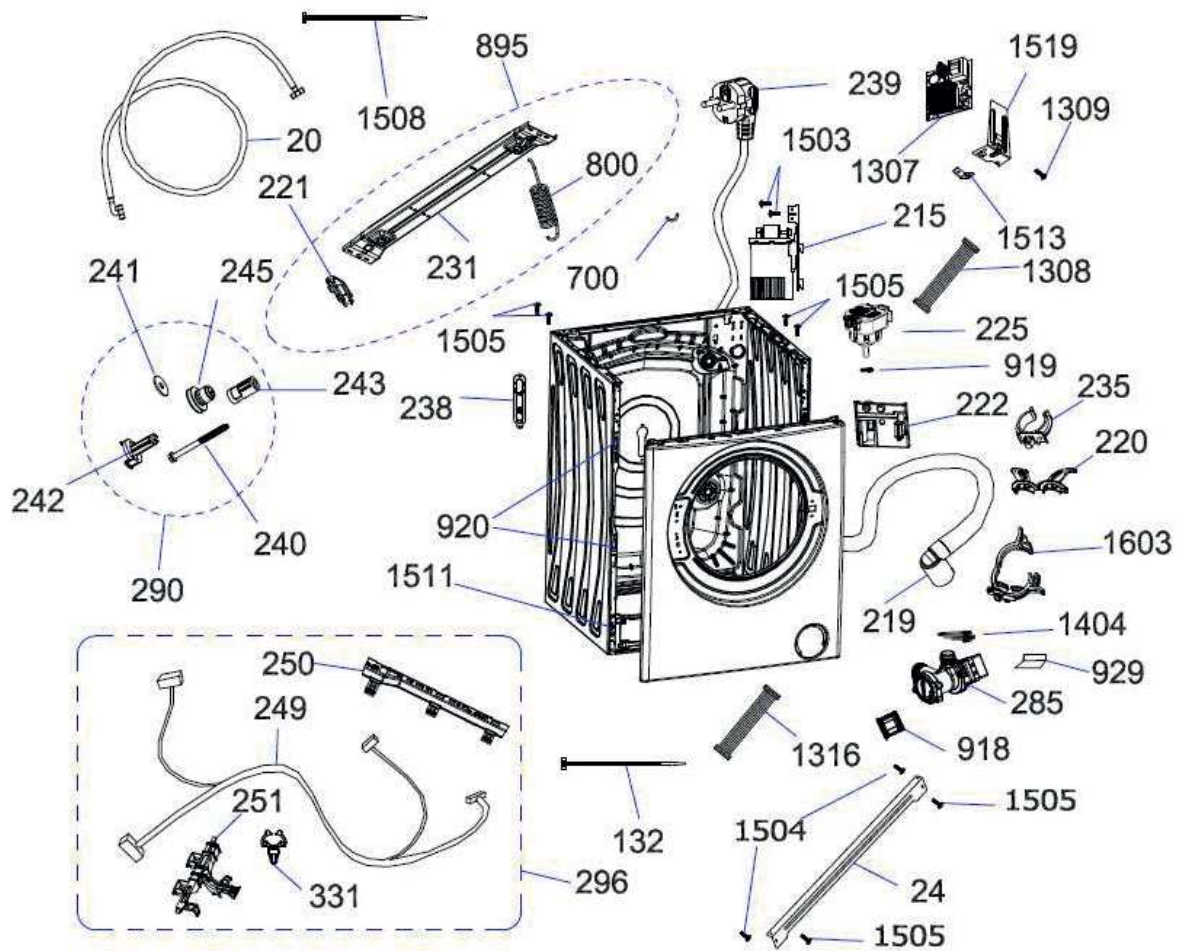
Toutes les informations, dessins, croquis et images dans ce document relèvent de la propriété exclusive de SOURCING & CREATION. SOURCING & CREATION se réserve tous les droits relatifs à ses marques, créations et informations. Toute copie ou reproduction, par quelque moyen que ce soit, sera jugée et considérée comme une contrefaçon.

All information, designs, drawings and pictures in this document are the property of SOURCING & CREATION. SOURCING & CREATION reserves all rights to its brands, designs and information. Any copy and reproduction through any means shall be deemed and considered as counterfeiting.

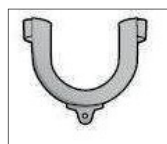








996

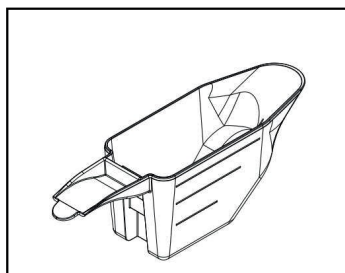


997

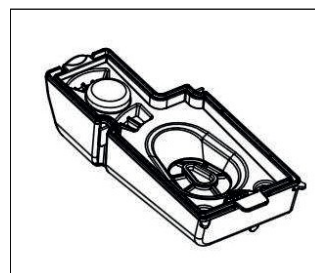


998

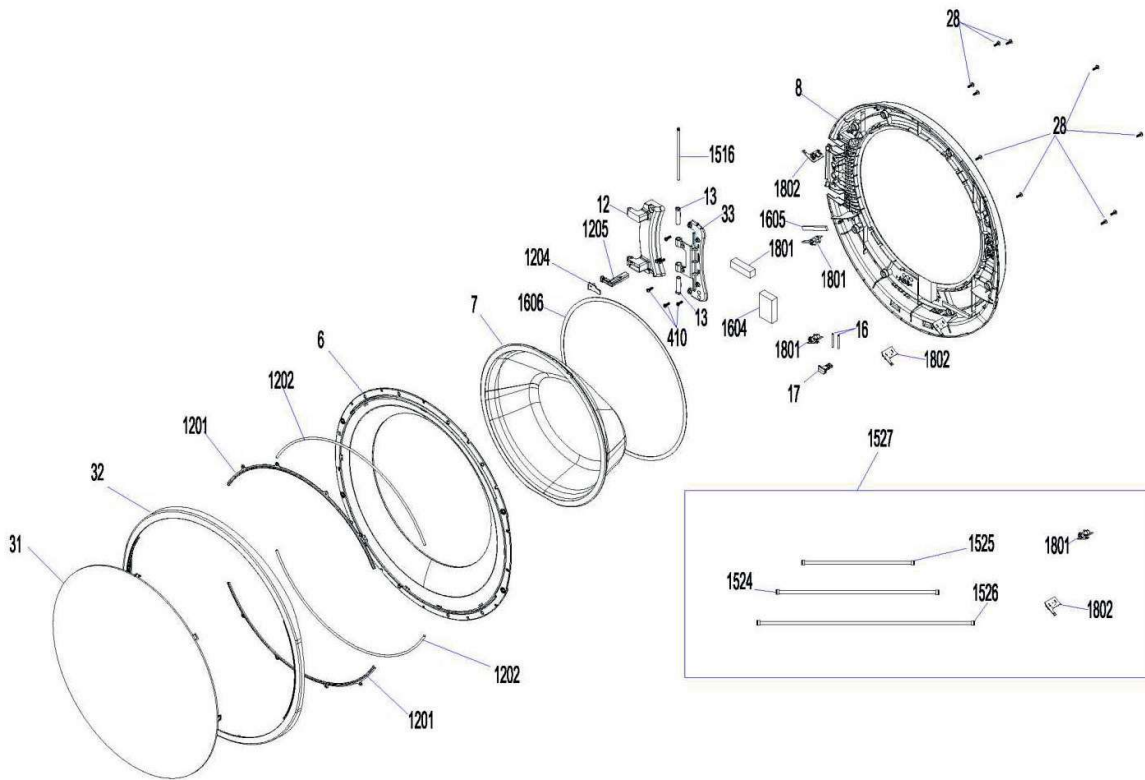
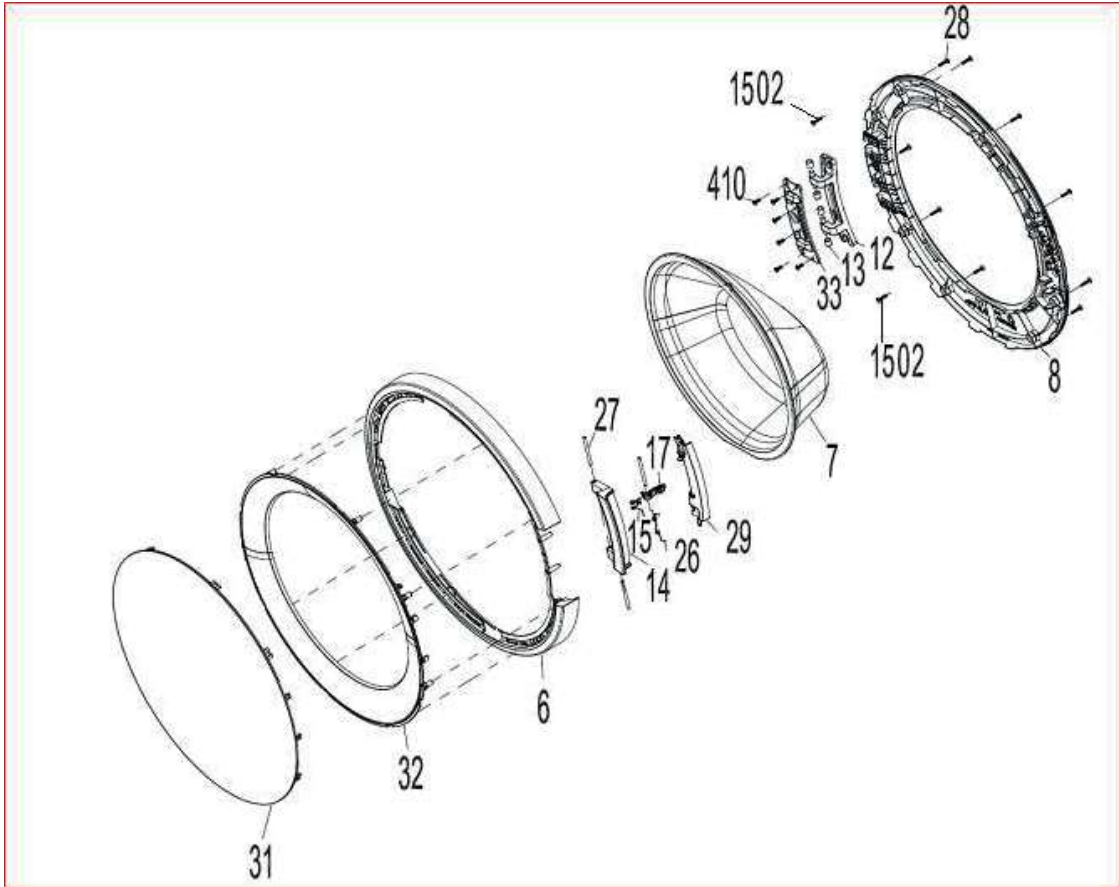
995

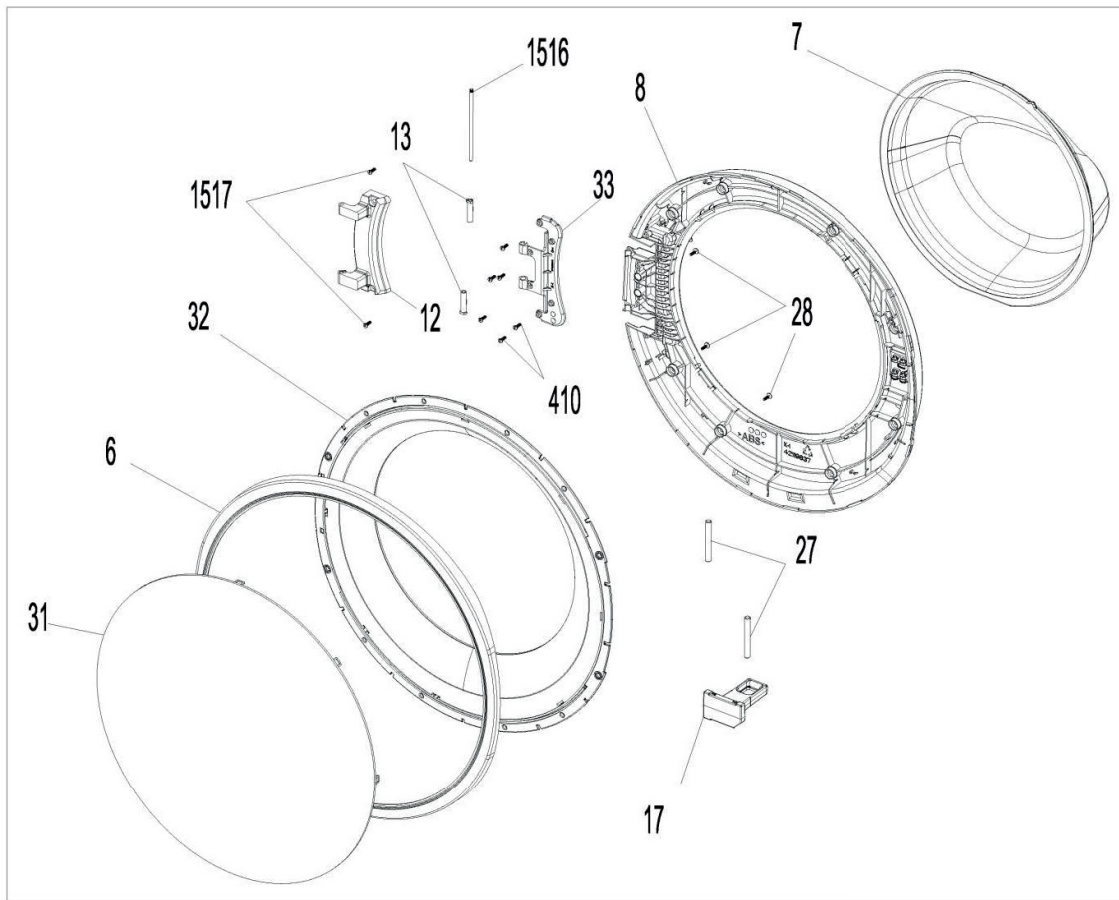


1900

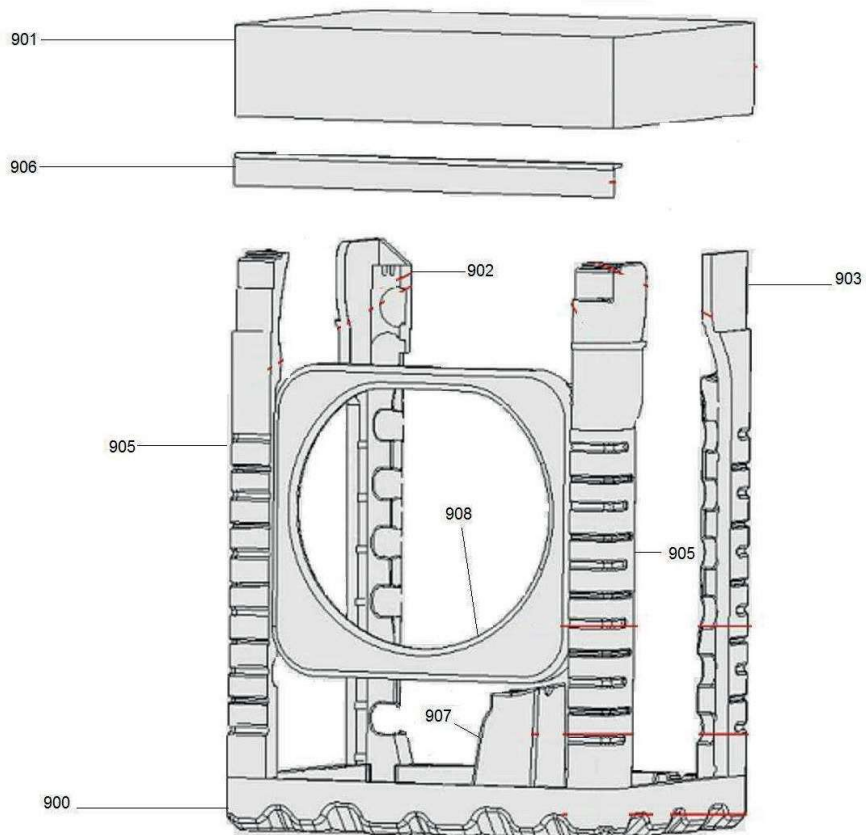


1901





50



## Liste des pièces détachées / Spare parts list

N° VUE	REFERENCE	DESIGNATION (FR)	DESIGNATION (ENG)	INFORMATION
1	22172525	MEUBLE	CABINET ASSEMBLY	
2	42025998	DESSUS COUVERCLE	TOP FRAME ASSEMBLY	
3	22179609	FACADE AVANT	FRONT PANEL	
5	22035571	PIED	FEET	
6	42196607	ENJOLIVEUR HUBLOT	FRONT DOOR COVER	
7	47003030	HUBLOT VERRE	DOOR GLASS	
8	42125292	CADRE PORTE HUBLOT	DOOR INSIDE FRAME	
9	37008604	COLLIER JOINT HUBLOT	DOOR GASKET FIXING RING	
10	32035412	SECURITE PORTE	SECURITE PORTE	
12	37016846	CHARNIERE HUBLOT	DOOR HINGE	
13	42030372	AXE CHARNIERE HUBLOT	HINGE AXIS ASSEMBLED DOOR	
14	42196610	POIGNEE HUBLOT	DOOR HANDLE	
15	35007443	RESSORT POIGNEE PORTE	DOOR HANDLE SPRING	
17	37008931	CROCHET POIGNEE HUBLOT	DOOR HANDLE HOOK	
20	40014423	TUYAU ARRIVEE EAU	HOSE -WATER INLET	
24	22183972	TRAVERSE SUPERIEURE	UPPER SUPPORT BRACKET	
26	37014985	RESSORT POIGNEE HUBLOT	HOOK SPRING	
27	35007434	AXE CROCHET POIGNEE PORTE	HANDLE HOOK AXIS	
28	35008714	VIS 3.5*9	SCREW 3,5*9	
31	42213948	PROTECTION HUBLOT	DOOR FRONT COVER	
32	42213946	ENJOLIVEUR HUBLOT	DOOR OUTER PLASTIC	
33	37016847	SUPPORT CHARNIERE HUBLOT	DOOR HINGE HOLDER	
100	42025177	COURROIE 1234J5EL	BELT 1234J5EL	
101	22115425	POULIE TAMBOUR AXE=16mm	DRUM PULLEY axis=16mm	
102	32039406	MOTEUR KC 22MM	MOTOR KC 22MM	
102	32050597	MOTEUR YCDC-500 22MM	MOTOR YCDC-500 22MM	
102	32053356	MOTEUR 25MM ZXGN420 8 13L	MOTOR 25MM ZXGN420 8 13L	
102	32053357	MOTEUR KG 25MM	MOTOR KG 25MM	production 788481 à 795069 + Production 802436 à 804435
102	32051488	MOTEUR 22MM SPOKE	MOTOR 22MM SPOKE	production 795169 à 799683 + ap 805481
103	22145663	CUVE 1/2 ARRIERE 51B2	REAR TANK GROUP 51B2	
104	47018453	AMORTISSEUR	SHOCK ABSORBER	
104	47018456	AMORTISSEUR FIXATION METAL+ AXE 13	SHOCK ABSORBER METAL FIXING+ PIN 13	
105	42025094	AXE AMORTISSEUR	SHOCK ABSORBER PIN	
112	47017578	LEST SUPERIEUR	COUNTER WEIGHT(UPPER)	
113	42015077	JOINT DE CUVE	TUB SEAL	
115	37018738	CLIPS FIXATION RESISTANCE	RESISTANCE FIXING CLIP	
117	42224170	CUVE 1/2 AVANT	TANK 1/2 FRONT	
118	42233473	JOINT HUBLOT	DOOR GASKET	
118	42330372	JOINT HUBLOT	DOOR GASKET	production 808382 à 821306
119	37008603	COLLIER JOINT HUBLOT/CUVE	CLAMP DOOR GASKET/TANK	
120	47022958	LEST AVANT	COUNTER WEIGHT (FRONT)	

N° VUE	REFERENCE	DESIGNATION (FR)	DESIGNATION (ENG)	INFORMATION
1	22172525	MEUBLE	CABINET ASSEMBLY	
121	20846083	RESISTANCE 1850W + SONDE	HEATING ELEMENT 1850W + SENSOR	
122	37007899	VIS 8*28	SCREW 8X28	
124	22227543	ECROU + RONDELLE POULIE TAMBOUR	DRUM PULLEY NUT + WASHER	
126	37035819	VIS 1/2 CUVE AVANT-ARRIERE	SCREW REAR-FRONT TANK 1/2	
132	42048113	COLLIER PLASTIQUE	PLASTIC CLAMP	
160	22145709	TAMBOUR	DRUM	
200	42185103	BOITE LESSIVE COMPLETE	DETERGENT BOX ASSEMBLED	
202	42185070	SYPHON ASSOUPLEISSANT BLEU 202	SYPHON	
203	42185103	BOITE LESSIVE COMPLETE	DETERGENT BOX ASSEMBLED	
205	42185103	BOITE LESSIVE COMPLETE	DETERGENT BOX ASSEMBLED	
206	42087110	DURITE BOITE LESSIVE / CUVE	TUB INLET HOSE.	
207	42004536	DURITE ELECTROVANNE/BAC LESSIVE 220mm	HOSE VALVE/DETERGENT BOX 220MM	
208	42007796	DURITE ELECTROVANNE/BAC LESSIVE 240mm	HOSE VALVE/DETERGENT BOX 240MM	
209	32035767	ELECTROVANNE 2 VOIES	WATER INLET VALVE	
211	42078599	TUYAU PRESSOSTAT 577MM	PRESSURE SWITCH HOSE L=577MM	
212	42259234	CHAMBRE DE COMPRESSION	COMPRESSION CHAMBER	
213	42127585	DURITE CUVE/POMPE VIDANGE	TUB FILTER HOSE ASSEMBLY COMPLETE	
214	42185061	SYPHON BLEU 214	SYPHON	
215	32027179	CONDO ANTIPARASITE	INTERFERENCE SUPPRESSOR	
219	42074837	TUYAU DE VIDANGE	HOSE DRAIN PUMP	
220	42019322	CROSSE TUYAU VIDANGE	DISCHARGE HOSE HOLDER	
221	42016727	ENTRETOISE RESSORT/MEUBLE	SPRING HANGER SHEET	
222	42022768	SUPPORT PRESSOSTAT	PRESSURE SWITCH BRACKET	
225	32025730	PRESSOSTAT ELECTRONIQUE	ELECTRONIC PRESURE SWITCH	
228	42225796	COLLIER	CLAMP	
231	22183978	SUPPORT RESSORT SUSPENSION	SPRING BRACKET	
234	37027058	COLLIER POMPE VIDANGE	DRAIN PUMP CLAMP	
235	40014270	COLLIER PASSE CABLE	CLAMP CABLE PASS	
238	42236479	CACHE ARRIERE VIS POULIE	REAR COVER PULLEY SCREW	
239	32016715	CABLE ALIMENTATION	POWER CORD ASSY.	
241	37015272	RONDELLE VIS POULIE TAMBOUR	WASHER SCREW DRUM PULLEY	
244	35008991	COLLIER DURITE PRESSOSTAT	PRESSURE SWITCH HOSE CLAMP	
250	42093407	SUPPORT	HOLDER	
251	42028367	SUPPORT CABLAGE	WIRING HOLDER	
270	42185103	BOITE LESSIVE COMPLETE	DETERGENT BOX ASSEMBLED	
285	32048313	POMPE VIDANGE LEILI 13MM BPX132-6L	DRAIN PUMP LEILI 13MM BPX132-6L	
290	37023467	KIT BRIDAGE UNITAIRE	TRANSPORT SAFETY ASSEMBLY	
295	42079698	DURITE CUVE/POMPE VIDANGE+CHAMBRE	TANK/DRAIN PUMP HOSE+COMPRESSION	
296	32049821	CABLAGE	WIRING	
331	42085086	SUPPORT CABLAGE	WIRING BRACKET	
400	42313496	FACADE TIROIR LESSIVE	DETERGENT DRAWER FRONT	
401	42212751	BANDEAU ELF814-3B ESSENTIEL B	CONTROL PANEL ELF814-3B ESSENTIEL B	
402	42228002	MANETTE PROGRAMMATEUR	PROGRAM SELECTOR ASSEMBLY	
403	42069325	AXE MANETTE PROGRAMMATEUR	PROGRAM SELECTOR AXIS	
410	37016360	VIS 4*12 TORX	SCREW 4X12 TORX	
411	42187918	BOITIER SUPPORT PLATINE	HOLDERBOX BOARD	
412	22329822	PLATINE T3 66AFF5820220200-V14.6/22	E.CARD T3 66AFF5820220200-V14.6/22	
412	22421881	PLATINE T3 66AFF5820220200-0241/22G	E CARD T3 66AFF5820220200-0241/22G	ap 765787
419	22326415	PLATINE DISPLAY T3	DISPLAY CARD	
419	22401538	PLATINE DISPLAY T3	DISPLAY CARD	production 750248 à 752853
419	22257294	PLATINE DISPLAY T3 T2367 B/SMB-14-V05 00	DISPLAY CARD T3 T2367 B/SMB-14-V05 00	ap 765787
422	42191719	SUPPORT INTERNE PLATINE DISPLAY	CARD BOX INSERT	

N° VUE	REFERENCE	DESIGNATION (FR)	DESIGNATION (ENG)	INFORMATION
1	22172525	MEUBLE	CABINET ASSEMBLY	
424	42191771	SUPPOPLATINE DISPLAYRT EXTERNE	CARD BOX	
499	32036419	CABLE COMMUNICATION	LCD COMMUNICATION CABLE	
700	42019298	DOUILLE RESSORT/CUVE	TUB HANGER SPRING	
701	42187827	SUPPORT CACHE POMPE	PUMP COVER HOUSING	
702	42187826	CACHE POMPE	PUMP COVER	
800	37016881	RESSORT CUVE	HNGER SPRING	
806	35007454	RONDELLE POULIE	PLAIN WASHER 8.4X28X3	
807	37032828	VIS LEST AVANT	SCREW (COUNTERWEIGHT-FRONT)	
808	37003063	VIS LEST SUPERIEUR	SCREW (COUNTERWEIGHT-UPPER)	
810	37006960	RONDELLE	WASHER	
811	37000507	ENTRETOISE LEST AVANT	FRONT WEIGHT SPACER	
812	37006921	ECROU M8	NUT M8	
813	42215866	AUBE 180x45MM	AGITATOR 180x45MM	
899	32004582	RESISTANCE 1850W	HEATING ELEMENT 1850W	
918	42268876	BOUCHON POMPE	PUMP FILTER	
920	42020456	CLIPS PANNEAU AVANT	FRONT PANEL DROP FIXING PLASTIC	
996	42185073	KIT LESSIVE LIQUIDE	LIQUID DETERGENT LEVEL PLATE	
997	40020601	CROSSE TUYAU VIDANGE	DRAIN HOSE HOLDER	
998	42161854	CACHE LL BRIDAGE	REAR COVER CAP	
999	32025771	SONDE RESISTANCE FASTON	NTC TEMP. SEN.-RAST 2,5	
1100	42191714	COUVERCLE SUPPORT PLATINE	COVER HOLDER BOARD	
1100	42191713	COUVERCLE SUPPORT PLATINE	COVER HOLDER BOARD	ap 775373
1200	22132295	SUPPORT CHARNIERE	HINGE HOLDER	
1307	22312098	PLATINE MOTEUR VULCNHB-V78.0 78-PMM	MOTOR CARD VULCNHB-V78.0 78-PMM	
1307	22357740	PLATINE MOTEUR VULCSLM-V78.0 78-PMM	MOTOR CARD VULCSLM-V78.0 78-PMM	ap 712824
1307	22398354	PLATINE MOTEUR VULCSLM-V78.6 78-PMM	MOTOR CARD VULCSLM-V78.6 78-PMM	production 750248 à 765785
1207	22376249	PLATINE MOTEUR BLDC 22-V1201 08081214/4/S	MOTOR CARD BLDC 22-V1201 08081214/4/S	ap 765787
1308	32023391	CABLE EGO BLDC1308	CABLE BLDC1308	
1308	32041655	CABLE BLDC1316	CABLE BLDC1316	
1309	37016371	VIS M4*8	SCREW M4X8	
1317	42110927	SUPPORT INFERIEUR AMORTISSEUR	SHOCH ABSORBER HOLDER (LOWER)	
1401	37011009	COLLIER DURITE BOITE LESSIVE/CUVE 65MM	CLAMP	
1402	35007369	COLLIER DURITE CUVE/POMPE VIDANGE + VIS	HOSE CLAMP + SCREW 72MM	
1403	37027638	COLLIER Ø38,8	HOSE CLAMP (ø 38,8)	
1500	37015098	VIS 4,8X9,5	SCREW 4,8X9,5	
1501	37014455	VIS 4.2*16	SCREW 4,2X16	
1502	37035481	VIS CHARNIERE HUBLLOT	SCREW HINGE DOOR	
1504	37014453	VIS 4.2*13	SCREW 4,2X13	
1507	37019417	RONDELLE 30x10X3mm	WASHER 30x10X3mm	
1508	40007592	SUPPORT CABLE	CABLE HOLDER	
1509	37016359	VIS	SCREW	
1511	42088991	CLIP FIXATION BANDEAU AVANT	FRONT BAND FIXATION CLIP	
1513	32018631	COSSE MALE	MALE GROUND TERMINAL (STEEL)	
1514	37018147	ECROU	NUT	
1519	37020792	SUPPORT	HOLDER	
1519	37047705	SUPPORT	HOLDER	ap 712824
1522	37000539	RONDELLR 36X23X2	WASHER 36X23X2	
1523	37002601	VIS	SCREW	
1603	42026116	SUPPORT TUYAU	HOSE HOLDER	

## Nos solutions Service après-vente Our after-sales service solutions

### INTERNET

<https://www.boulanger.com/magasins/>



Je trouve mon magasin Boulanger

Code postal, ville, pays



Me géolocaliser



### TELEPHONE

Contactez le 3011 depuis la France ou le 0 800 30 30 11 depuis l'étranger

*Contact 3011 from France or 0 800 30 30 11 from abroad*

#### Information :

- Numéros gratuits / Free numbers
- Accès sourds et malentendants / *Deaf and hard of hearing access*

Hors garantie, retrouvez la liste de réparateurs identifiés par l'ADEME à l'adresse : [www.annuaire-reparation.fr](http://www.annuaire-reparation.fr)

Out of warranty, find the list of repairers identified by ADEME at : [www.annuaire-reparation.fr](http://www.annuaire-reparation.fr)