

essentiel 

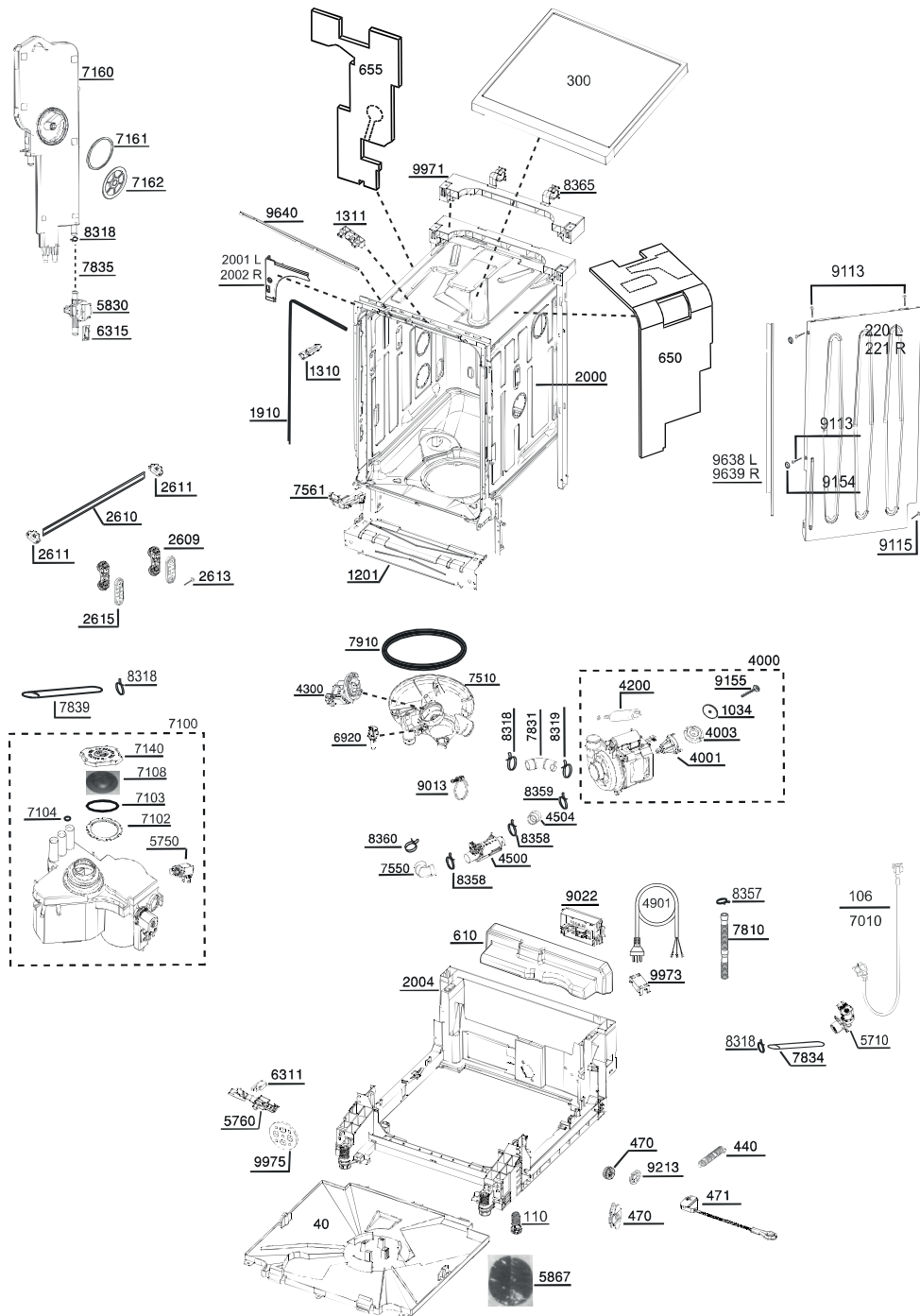
Lave-vaisselle / Dishwasher
ELVS-491B



Aide à la réparation / After-sales solutions

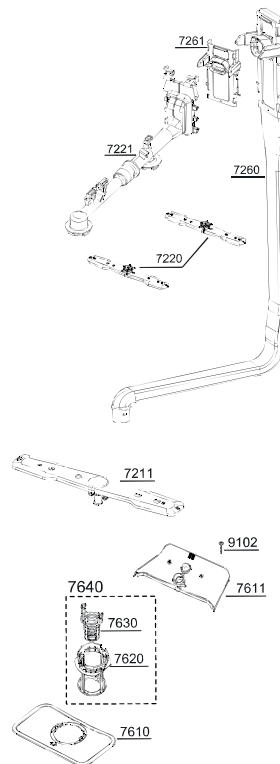
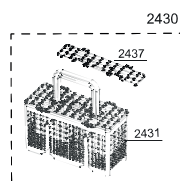
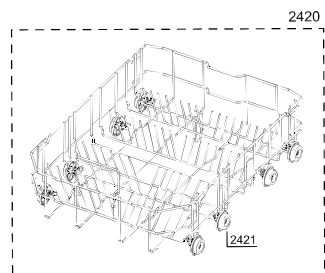
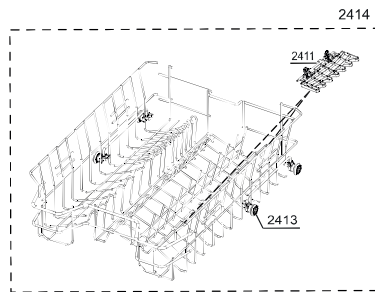
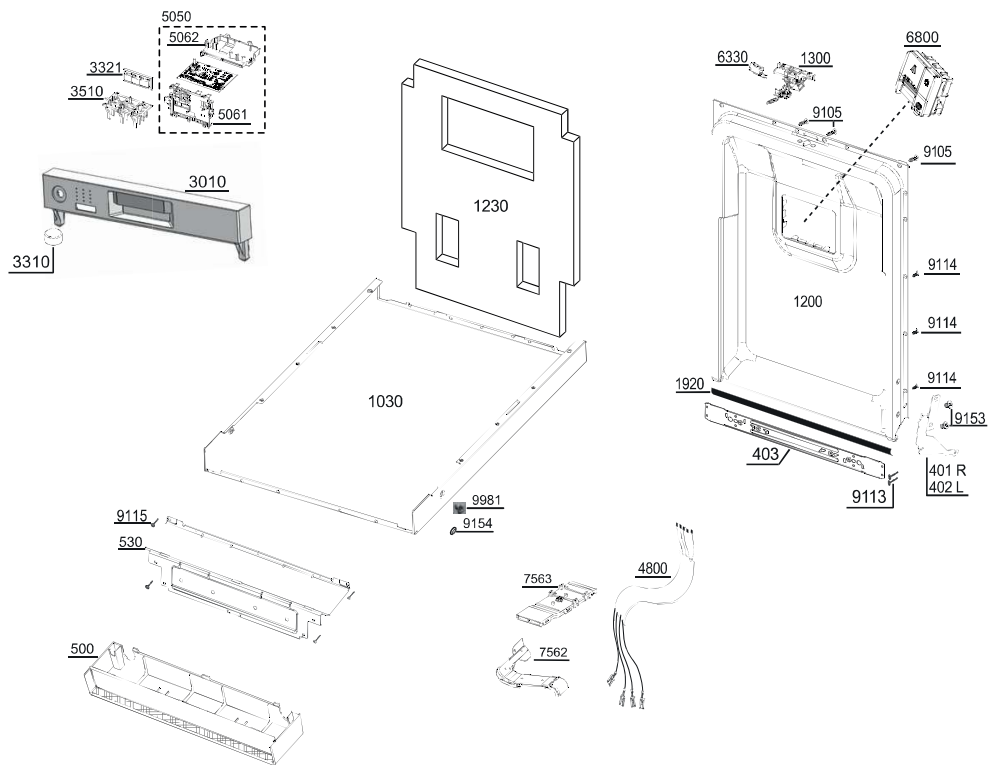
8010390

Vue éclatée / Exploded view



Toutes les informations, dessins, croquis et images dans ce document relèvent de la propriété exclusive de SOURCING & CREATION. SOURCING & CREATION se réserve tous les droits relatifs à ses marques, créations et informations. Toute copie ou reproduction, par quelque moyen que ce soit, sera jugée et considérée comme une contrefaçon.

All information, designs, drawings and pictures in this document are the property of SOURCING & CREATION. SOURCING & CREATION reserves all rights to its brands, designs and information. Any copy and reproduction through any means shall be deemed and considered as counterfeiting.



Liste des pièces détachées / Spare parts list

N° VUE	REF PIECE	DESIGNATION (FR)	DESIGNATION (ENG)
1030	1769010101	FACADE PORTE	BEKO OUTER DOOR 45CM
1034	1746970100	RONDELLE (POIGNEE)	WASHER (HANDLE)
106	2906860200	TUYAU D'ALIMENTATION EN EAU L=1550mm	WATER INLET HOSE ASSEMBLY L=1550
110	1883140300	PIED AJUSTABLE	ADJUSTABLE FOOT
1200	1517100100	CONTRE PORTE	INNER DOOR
1201	1513760300	SUPPORT INFERIEUR AVANT	FRONT LOWER SUPPORT SHEET
1230	1781060400	ISOLATION DE PORTE	DOOR INSULATION
1300	1510600200	BLOC SECU/VERROU DE PORTE	SELFRESETING LOCK GROUP
1310	1764130100	CROCHET DE VERROUILLAGE	LOCK_HOOK
1311	1760970100	SUPPORT CROCHET	DOOR LOCK HOOK SUPPORT BI
1910	1749190200	JOINT DE TOUR DE PORTE L=1625MM	DOOR SEALING GASKET- L=1625MM
1920	1882470200	JOINT BAS DE PORTE	DOOR SEALING GASKET - BOTTOM
2000	1513800800	CUVE	STRUCTURE GR.
2001	1783400100	EQUERRE	CORNER BRACKET
2002	1783400200	EQUERRE	CORNER BRACKET
2004	1786390200	SOCLE	FS BOTTOM TRAY GR
220	1763190101	PANNEAU LATERAL GAUCHE	SIDE PANEL-LEFT
221	1763190201	PANNEAU LATERAL DROITE	SIDE PANEL-RIGHT
2411	1510460200	TABLETTE (PANIER SUPERIEUR)	SHELF GROUP (UPPER BASKET)
2413	1761160500	ROULETTE PANIER SUPERIEUR	UPPER BASKET WHELL GROUP
2414	1765700003	PANIER SUPERIEUR	UPPER BASKET GROUP
2420	1510300003	PANIER INFERIEUR	LOWER BASKET GROUP
2421	1763680200	ROUE PLASTIQUE DE BUTEE DE PANIER INFERIEUR	LOWER BASKET STOPPER PLASTIC WHEEL
2430	1513940200	PANIER A COUVERTS COMPLET	CUTLERY BASKET GROUP-SLIDING
2431	1513970100	PANIER A COUVERTS	CUTLERY BASKET BODY 45CM
2437	1513980200	SEPARATEUR	SEPERATOR
2609	1752600400	ROULETTE DE PANIER	RAIL WHEEL GROUP
2610	1880240300	RAIL DE GUIDAGE	RAIL (430 STAINLESS STEEL)
2611	1732840100	EMBOUT DE RAIL AVANT ET ARRIERE	RAIL CAP- FRONT&BACK
2613	1748940200	VIS	RAIL WHEEL SCREW
2615	1749910100	SUPPORT	RAIL WHEEL HOLDER
300	1786360100	DESSUS TOP	TOP PLATE
3010	1758100086	BANDEAU	PANEL GROUP
3310	1519860100	BOUTON	BUTTON
3321	1780850500	BOUTON BLANC B24	B24 BUTTON WHITE
3510	1519340100	SUPPORT	LIGHT CARRIER
40	1786320100	SOCLE	BOTTOM TRAY 45CM
4000	1740704200	POMPE DE CYCLAGE	CIRCULATION PUMP
4001	1513840100	PIECE RACCORDEMENT MOTEUR	MOTOR CONNECTION PART
4003	1783290100	JOINT POMPE CYCLAGE	DAMPER DISK RUBBER
401	1783030201	CHARNIERE DROITE	HINGE ARM-RIGHT
402	1783030101	CHARNIERE GAUCHE	HINGE ARM-LEFT
403	1743240300	SUPPORT DE BRAS DE CHARNIERE	HINGE ARM SUPPORT
4200	1883790200	CONDENSATEUR 4UF-450V	CAPACITOR 4UF-450V
4300	1748200100	POMPE DE VIDANGE 25W	DRAIN PUMP GROUP 25W
440	1783160500	RESSORT DE CHARNIERE	HINGE SPRING
4500	1888130200	RÉSISTANCE Ø 32MM 1800W-230V	HEATING ELEMENT Ø 32MM 1800W-230V

N° VUE	REF PIECE	DESIGNATION (FR)	DESIGNATION (ENG)
4504	1719970100	TUYAU POMPE/RESISTANCE	PUMP/HEATING ELEMENT HOSE
470	1881040200	POULIE CABLE DE PORTE	HINGE WHEEL
470	1783140100	ROULEAU GUIDE CORDELETTE TENSION	U GINGE ROLLER
471	1881050400	CABLE DE PORTE L=333-VIOLET	HINGE ROPE GROUP L=333-PURPLE
4800	1522210200	FAISCEAU CABLES	MESE CABLE HARNESS
4901	1751595600	CABLE D'ALIMENTATION	MAIN PLUG-CABLE PROTECTION GR
500	1768020100	PLINTHE AVEC MOUSSE	KICK PLATE WITH SPONGE
5050	1732452280	CARTE ELECTRONIQUE A626503	ELECTRONIC CARD A626503
5061	1519520200	SUPPORT AVANT (CARTE)	CARD HOLDER FRONT PART
5062	1519530200	SUPPORT ARRIERE (CARTE)	CARD HOLDER BACK PART
530	1513780200	SUPPORT PLINTHE	STAND KICK PLATE SHEET
5710	1883550300	ELECTROVANNE	WATER INLET VALVE
5750	1764950400	VANNE REGENERATION	REGENERATION VALVE GR SNAP FIT
5760	1761920100	SUPPORT SWITCH ANTI DEBORDEMENT	OVER FLOATING CASING
5830	1760900400	DEBIMETRE	COUNTER GROUP
5867	1732490500	JOINT	BOTTOM TRAY GASKET GR.
610	1786170100	POIDS D'EQUILIBRE	BALANCE WEIGHT
6311	1761940100	CONTACTEUR	MICRO SWITCH
6315	1760940100	DEBIMETRE PCB	COUNTER PCB_4
6330	1731980300	MICRO INTERRUPTEUR DE PORTE	NEW DOOR SWITCH
650	1743930100	ISOLATION INTERIEURE	INNER TUB ISOLATION
655	1783830100	ISOLATION INTERIEURE GAUCHE	ANGORA INNER TUB ISOLATION LEFT
6800	1512300100	DISTRIBUTEUR PRODUITS	BITRON DETERGENT BOX GROUP
6920	1887740400	SONDE NTC	NTC SENSOR
7010	1887440300	TUYAU D'ALIMENTATION	WATER INLET HOSE
7100	1768300400	ENSEMBLE BAC A SEL	WATER_SOFTENER_ASSY
7102	1742450100	ECROU DU POT A SEL	WATER SOFTENER NUT-
7103	1766470100	JOINT BOUCHON	SOFTONER O-RING
7104	1744250100	JOINT TORIQUE	O-RING WATER SOFTENER
7108	1883910300	JOINT BOUCHON BOITE A SEL	WATER SOFTENER CAP GASKET
7140	1766560300	BOUCHON A SEL	WATER SOFTENER CAP
7160	1741600200	REPARTITEUR D'EAU	REGENERATION UNIT GR
7161	1882630200	JOINT REPARTITEUR D'EAU	AIR FUNNEL GASKET
7162	1882620700	COUVERCLE REPARTITEUR D'EAU	AIR FUNNEL CAP
7211	1515200100	BRAS DE CYCLAGE INFERIEUR	LOWER SPRAY ARM GROUP
7220	1515260100	BRAS DE CYCLAGE SUPERIEUR	TOP SPRAY ARM GROUP COMPLETE
7221	1515300100	SUPPORT (BRAS DE CYCLAGE)	PSD UPPER SPRAY ARM FEED PIPE GROUP
7260	1512590300	TUBE D'ALIMENTATION BRAS SUPERIEUR	WATER SUPPLY TUBE GR.
7261	1512510100	GUIDE TUBE ALIMENTATION	UPPER SPRAY ARM FEED PIPE CENTERING
7510	1741503200	ENSEMBLE PUISARD	SUMP GROUP
7514	1889860200	REMBOURRAGE DE COIN AVANT	CORNER PADDING GR-FRONT
7515	1889870100	REMBOURRAGE DE COIN ARRIERE	REAR CORNER PADDING GR-BACK
7516	1745190100	COUVERCLE EMBALLAGE-BAS	PACKAGE COVER - BOTTOM
7517	1745150100	COUVERCLE EMBALLAGE-HAUT	PACKAGE COVER UPPER
7518	1516120200	EMBALLAGE INFERIEUR	PACKAGING BOTTOM STYROPHOR
7550	1743650100	DURITE COUDEE 9CM (PUISARD/RESISTANCE)	HOSE BETWEEN SUMP AND HEATER 9CM
7561	1752350100	SIPHON DE TROP-PLEIN	OWERFLOW SIPHON

N° VUE	REF PIECE	DESIGNATION (FR)	DESIGNATION (ENG)
7562	1799990200	GUIDE CABLES	CABLE HOLDER UPPER PART
7563	1799980200	GUIDE CABLES	CABLE HOLDER TOP PART
7610	1786610200	FILTRE METALLIQUE PLAT (TAMIS)	METAL FILTER HALF
7611	1757830100	SUPPORT FILTRE	FILTER SUPPORT GROUP
7620	1796080500	MICRO FILTRE (SANS JOINT)	MICRO FILTER GROUP NO RING
7630	1740230300	FILTRE AMOVIBLE	COARSE FILTER
7640	1796092100	FILTRE COMPLET (SANS JOINT)	FILTER GROUP COMPLETE - NO RING
7810	1740161400	TUYAU DE VIDANGE L=2085mm	DRAIN HOSE-L=2085MM
7831	1786150100	TUYAU	HOSE
7834	1800632400	DURITE REPARTITEUR/ELECTROVANNE	HOSE (VALVE-COUNTER)
7835	1800632000	TUYAU (DEBIMETRE/REPARTITEUR)	HOSE BETWEEN COUNTER AND
7839	1800862600	DURITE REPARTITEUR LONGUEUR=39CM	HOSE REGENERATION UNIT LONG=39CM
7910	1740050300	JOINT DE BLOC HYDRAULIQUE	SUMP GASKET
8318	2002370900	COLLIER (Ø 16.4)	HOSE CLAMP (Ø 16.4)
8319	2002373200	COLLIER (Ø 40.0)	HOSE CLAMP (Ø 40.0)
8357	2002372100	COLLIER (Ø 34_1)	HOSE CLAMP.(Ø 34_1)
8358	2002372200	COLLIER (Ø 35.6)	HOSE CLAMP (Ø 35.6)
8359	2002372400	COLLIER (Ø 38,8)	HOSE CLAMP (Ø 38.8)
8360	2002372500	COLLIER (Ø 47)	HOSE CLAMP (Ø 47)
8365	1783370100	SUPPORT TUYAU	WATER INLET VALVE HOSE HOLDER
8382	9001231200	COLLIER PLASTIQUE 298MM	PLASTIC CLAMP. 298 mm
8385	9003270400	VIS 4X10	PLASTIC SCREW (4_10)
87	1736910200	BOUCHON CENTRAGE	BUILT IN CENTERING PLUG
9013	1732850100	COLLIER SERRAGE AVEC VIS Ø40	HOSE CLAMP WITH SCREW Ø40
9022	1519451000	SUPPORT CABLE	NETWORK CABLE HOLDER
9101	1831680000	VIS	SCREW (WATER INLET VALVE)
9102	1889340100	VIS 4X14	SCREW 4x14
9105	1883430100	VIS	SCREW (PANEL-DOOR LOCKED)
9105	1883430300	VIS	SCREW (FILTER SUPPORT)
9113	1883470100	VIS M4X8	BOLT M4X8 D3731 D3421
9114	1883460100	VIS	SCREW (INNER-OUTER DOOR)
9115	1801080100	VIS 3,9X9,5	SCREW (3.9x9.5)
9118	1883410100	VIS	SCREW
9153	1802860200	VIS M5x8	SCREW M5x8
9154	1882290100	CAPUCHON (PANNEAU COTE)	SCREW CAP-SIDE PANELS-WHITE
9155	1883440500	VIS	PT SCREW
9155	1883440400	VIS 5x14	SCREW (5x14)
9203	1799690200	VIS RONDELLE SPECIALE Ø4	Ø4 PT SPECIAL WASHER SCREW
9203	1803430100	VIS 4X14	SCREW 4x14
9213	1831780000	RONDELLE	WASHER
9638	1880270700	ISOLANT SONORE	NOISE INSULATOR
9639	1880270800	ISOLANT SONORE	NOISE INSULATOR
9640	1784160600	JOINT CUVE HAUT DE PORTE	LARGE UPPER SOUND GASKET
9935	1732380100	ENTONNOIR	SALT FUNNEL
9971	1513750100	TRAVERSE ARRIERE	BACK TRAVERSE
9971	1513750200	TRAVERSE ARRIERE	BACK TRAVERSE
9973	1783190100	FIXATION CABLE	NETWORK CABLE LOCK

N° VUE	REF PIECE	DESIGNATION (FR)	DESIGNATION (ENG)
9975	1761930100	FLOTTEUR	FLOAT STYROPOR
9981	1883490100	ECROU M4X6	BOLT M4X6