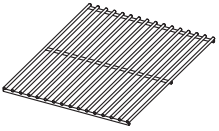



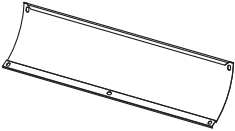


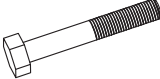
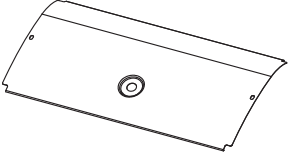
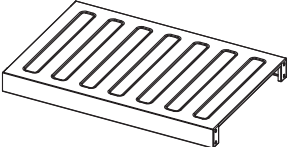
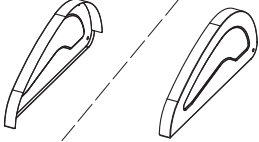
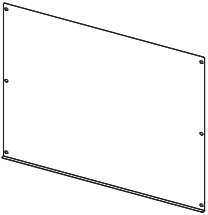
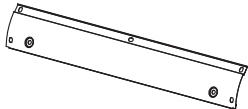
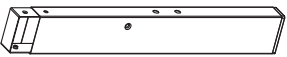
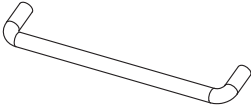
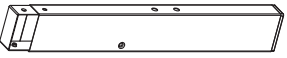

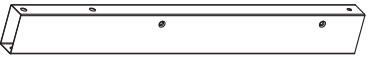
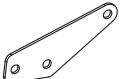
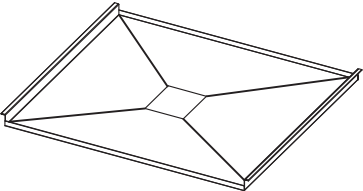
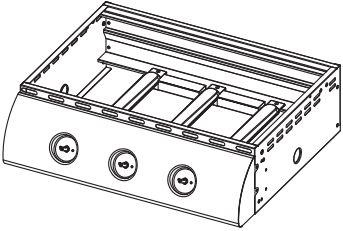


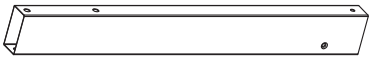

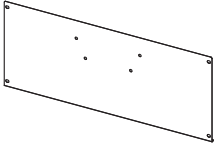
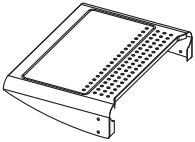
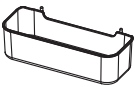

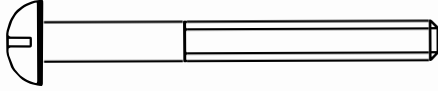

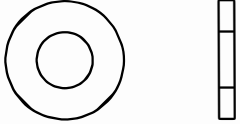
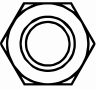

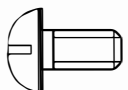
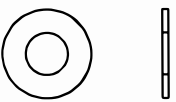
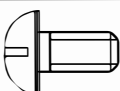

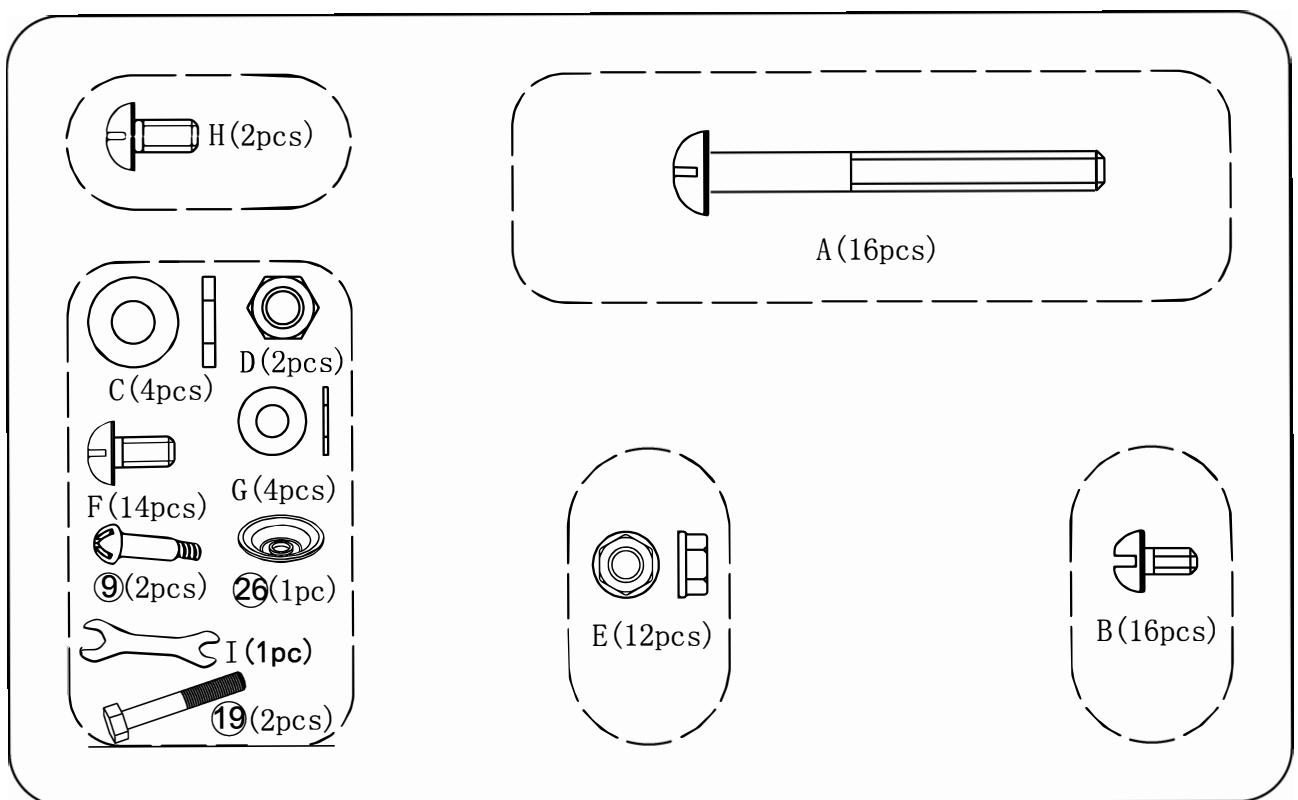


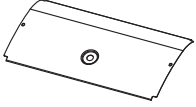


NO.	DESCRIPTION	QTE	NO.	DESCRIPTION	QTE
①		2	①6		1
②		3	①7		1
③		1	①8		2
④		1	①9		2
⑤		1	②0		1
⑥		1	②1		1
⑦		1	②2		1
⑧		1	②3		1
⑨		2	②4		1
⑩		2	②5		1
⑪		1	②6		1
⑫		3	②7		1
⑬		1	②8		1
⑭		2	②9		1
⑮		1			

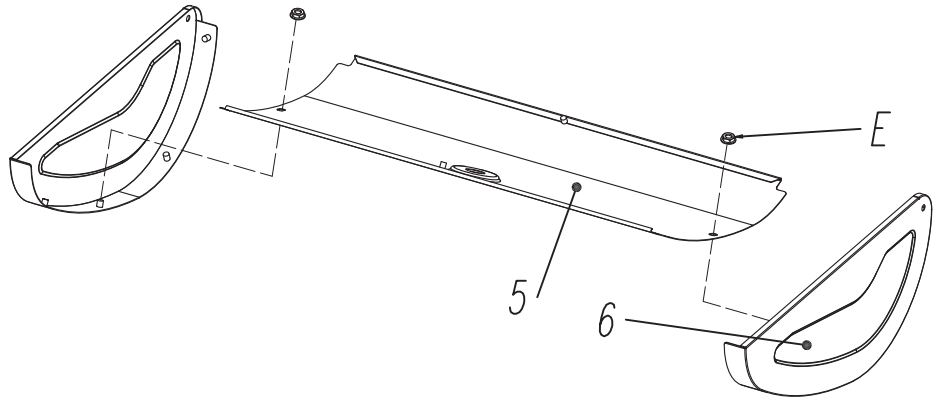
NO.	DESCRIPTION	SPEC	QTE
A		M6×60	16PCS
B		M4×8	16PCS
C		M8	4PCS
D		M8	2PCS
E		M6	12PCS
F		M6×10	14PCS
G		M6	4PCS
H		M6×14	2PCS
I		Clé	1PCS



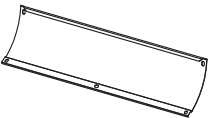

Etape

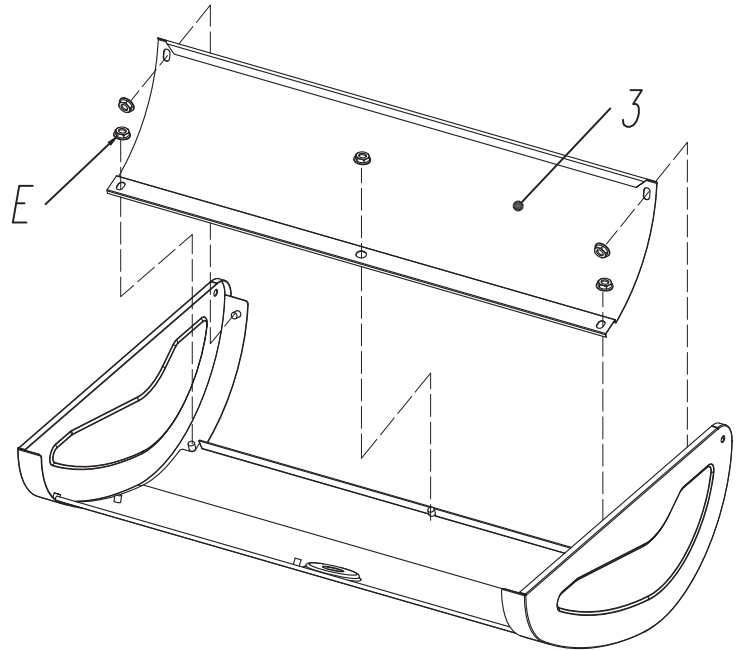
1

⑤		1
⑥		1
E		2

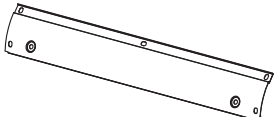



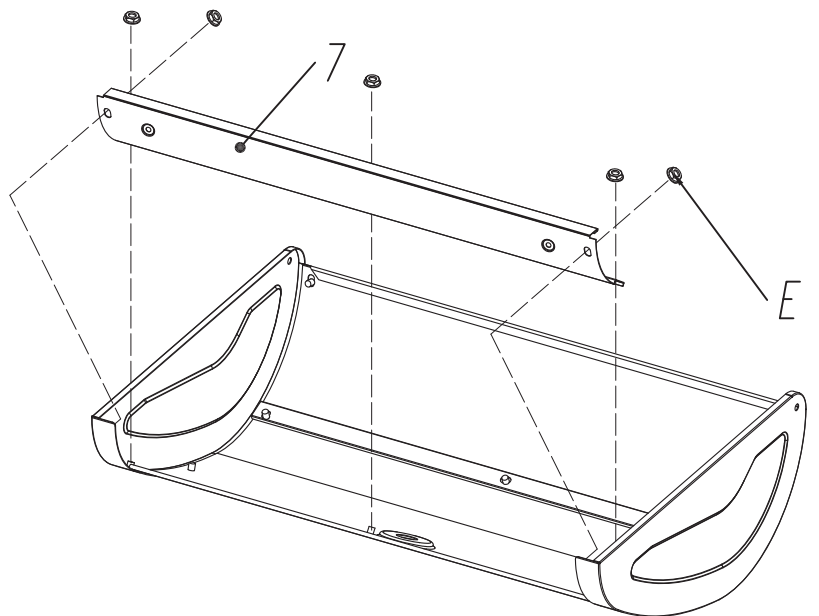
2


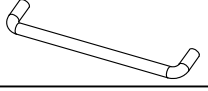
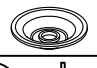

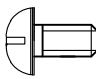
③		1
E		5

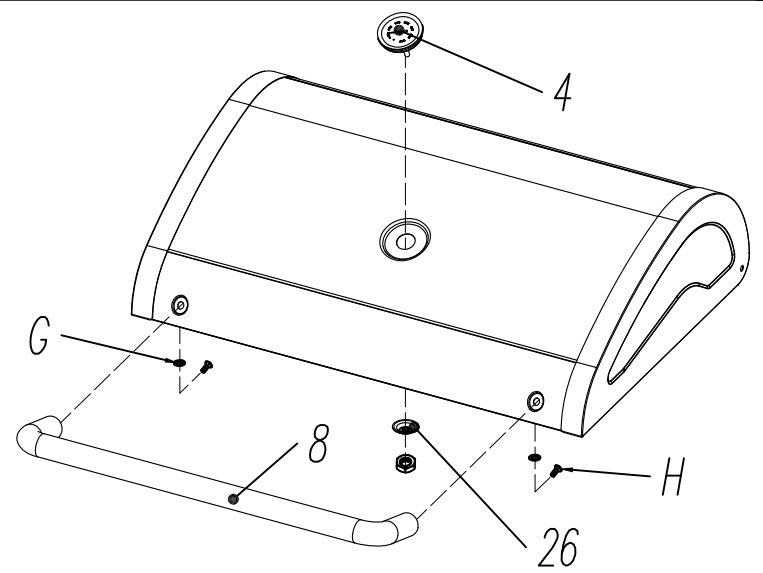


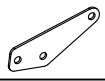
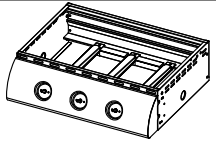
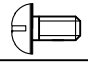
3

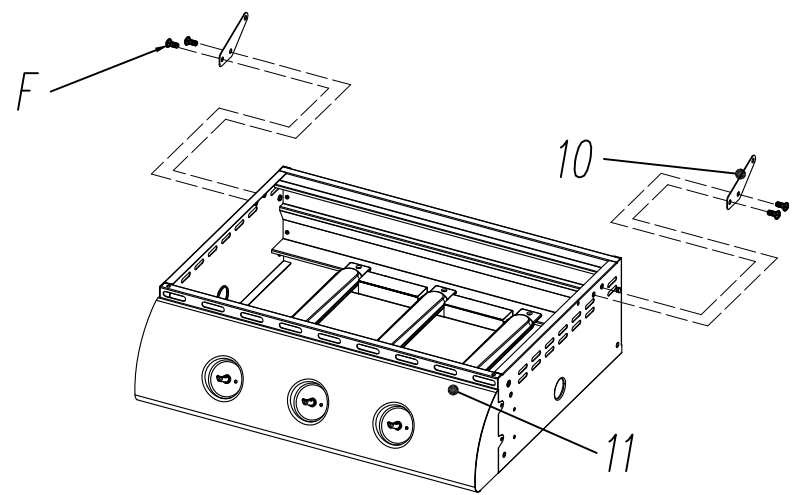
⑦		1
E		5

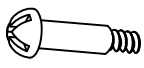



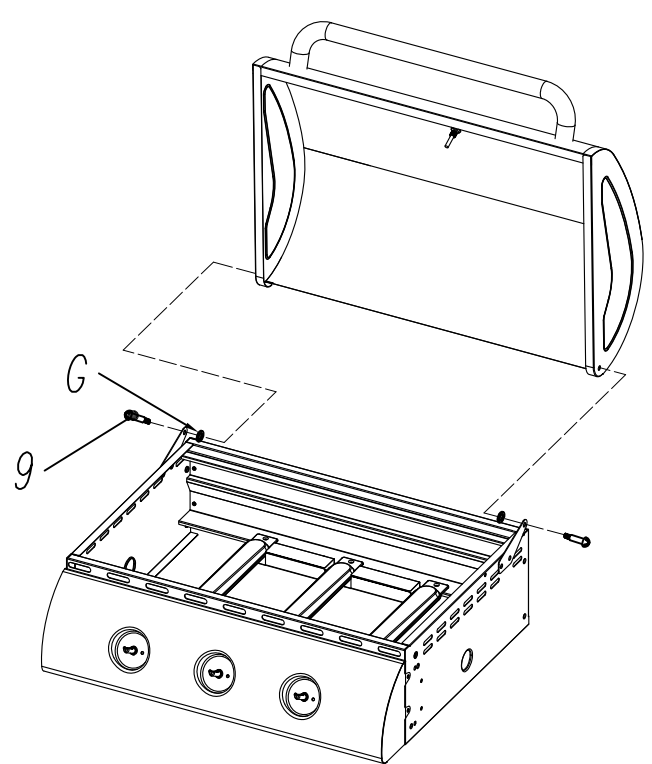
④		1
⑧		1
②⑥		1
G	 M6	2
H	 M6x14	2



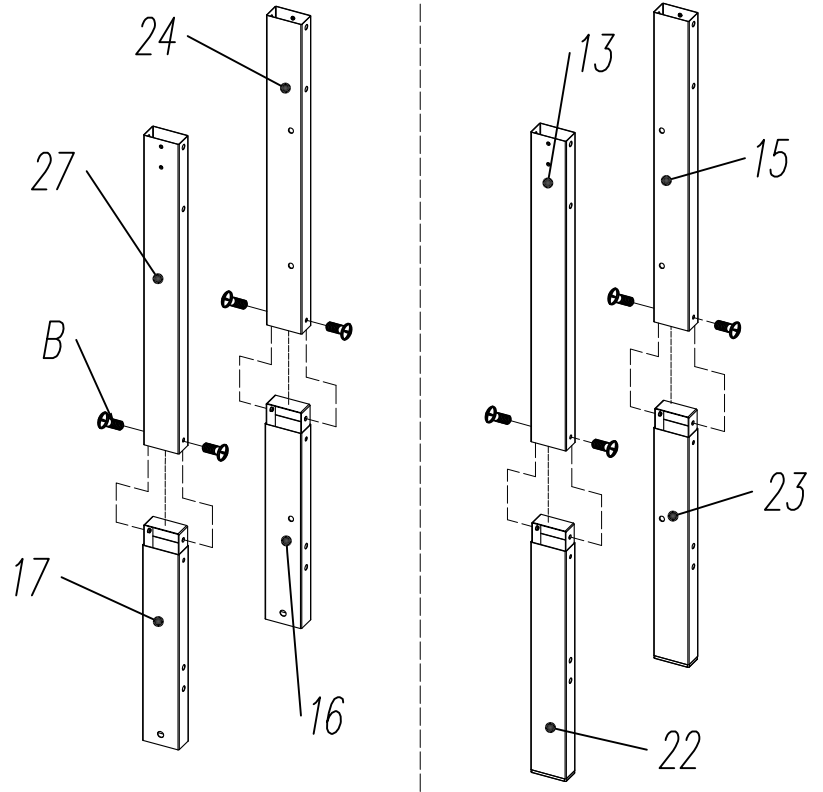
⑩		2
⑪		1
F	 M6x10	4



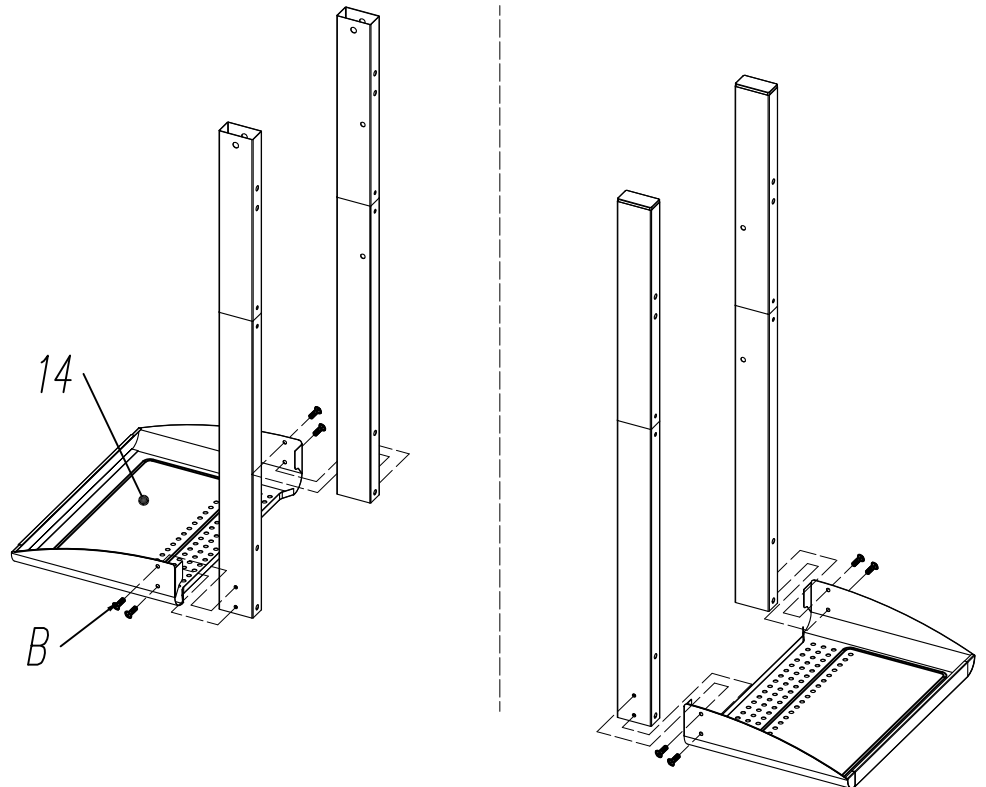
⑨		2
G	 M6	2

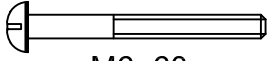


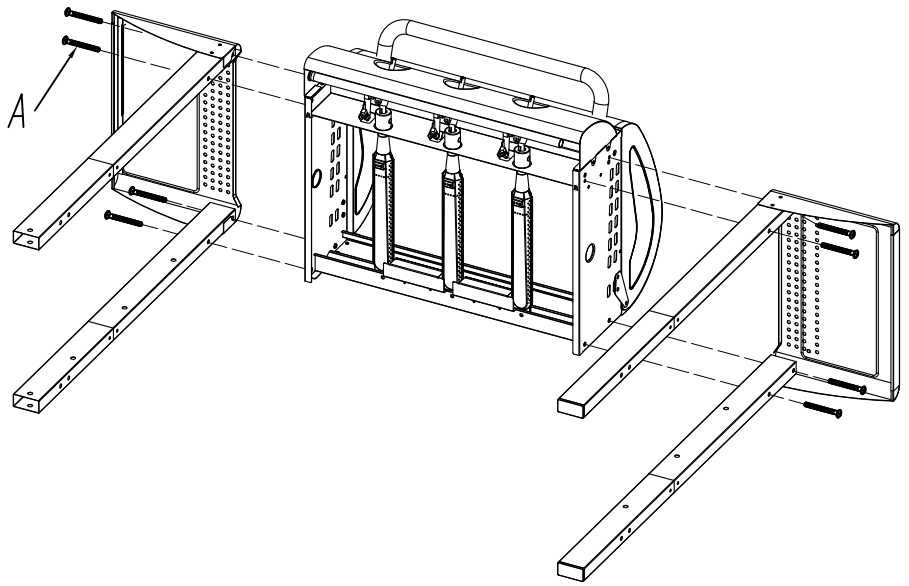
⑬		1
⑮		1
⑯		1
⑰		1
⑳		1
㉓		1
㉔		1
㉗		1
B	M4×8	8



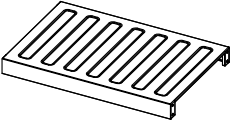
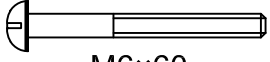
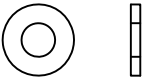



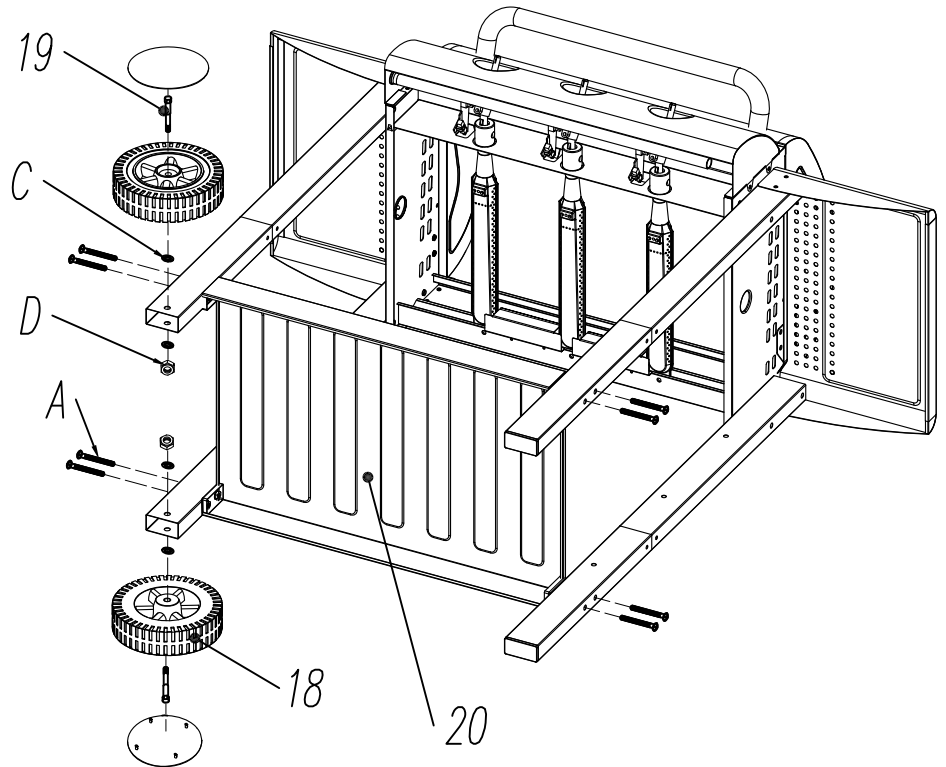
⑭		2
B	M4×8	8

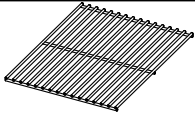
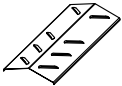


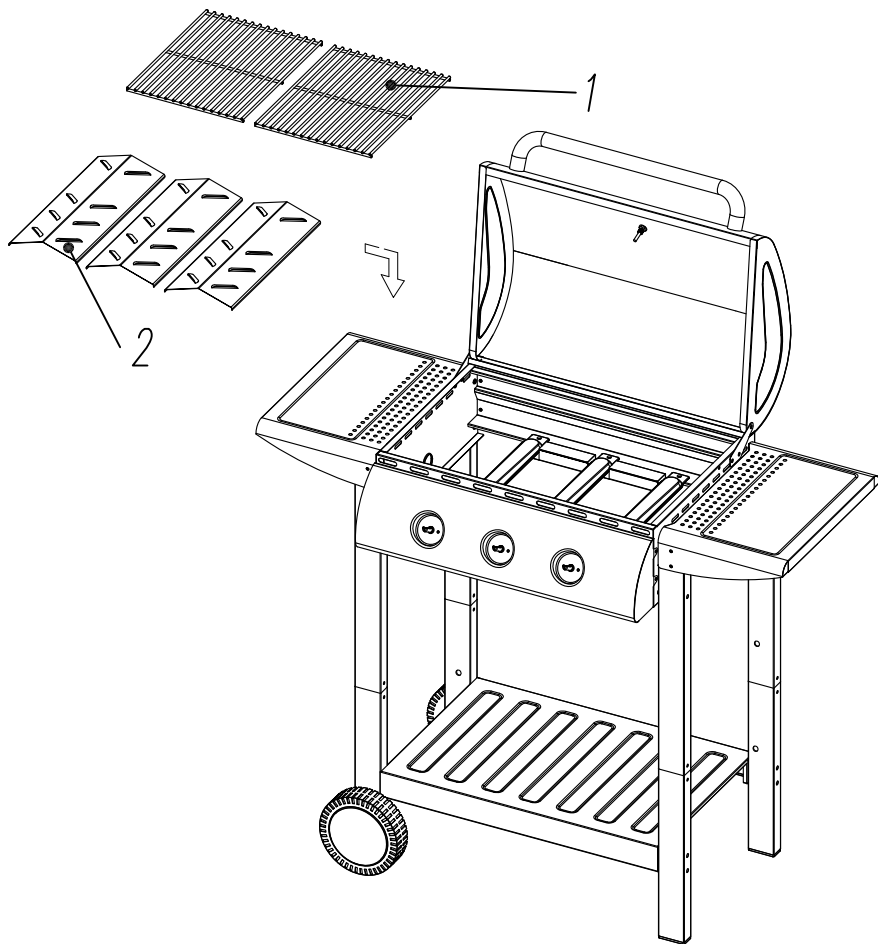
A	 M6×60	8
---	--	---


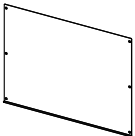
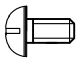


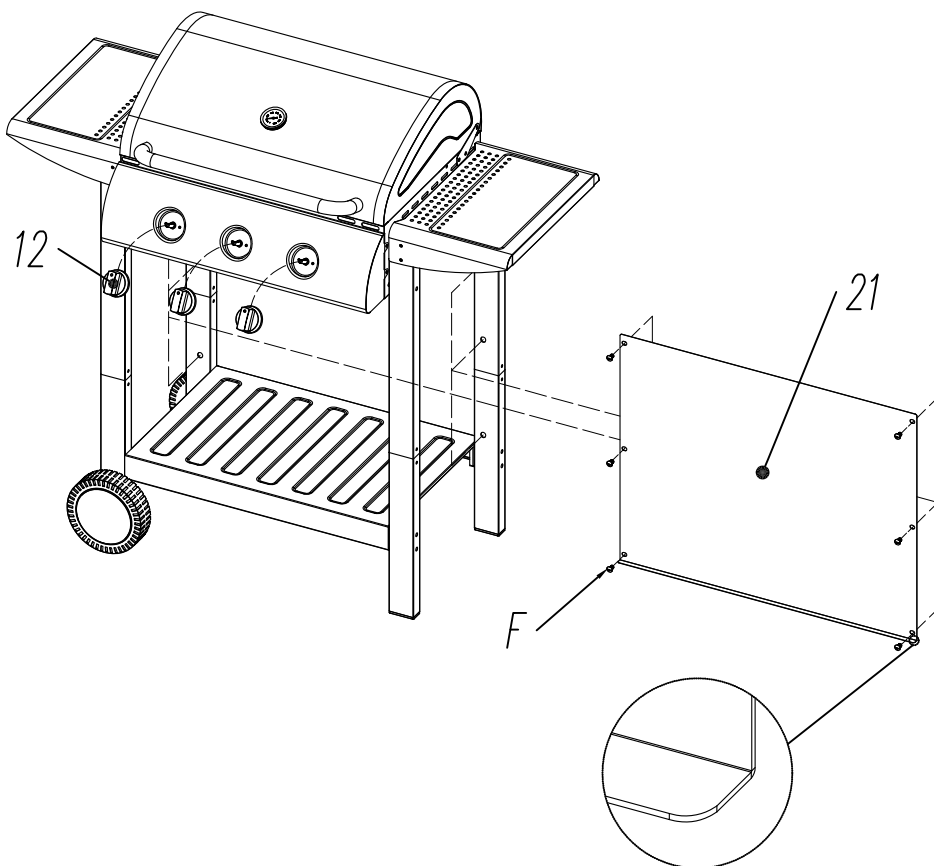
18		2
19		2
20		1
A	 M6×60	8
C	 M8	4
D	 M8	2

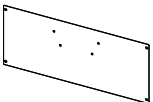



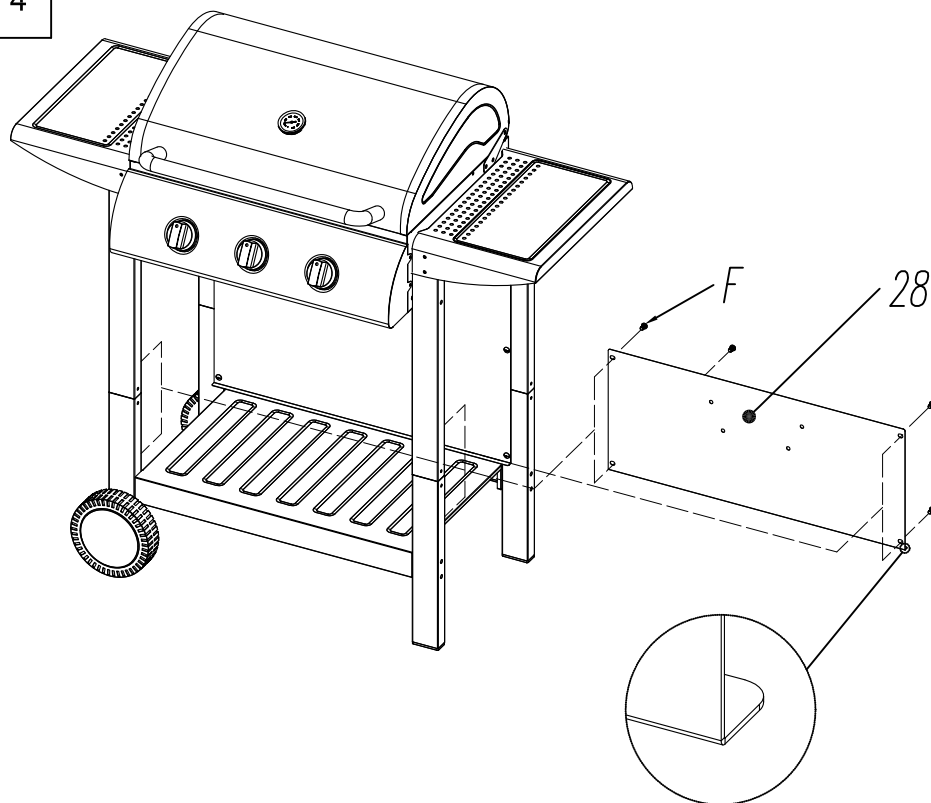
①		2
②		3

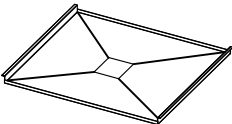
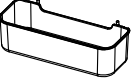


⑫		3
⑳		1
F	 M6×10	6



28		1
F	 M6×10	4



25		1
29		1

