

**LISTO**



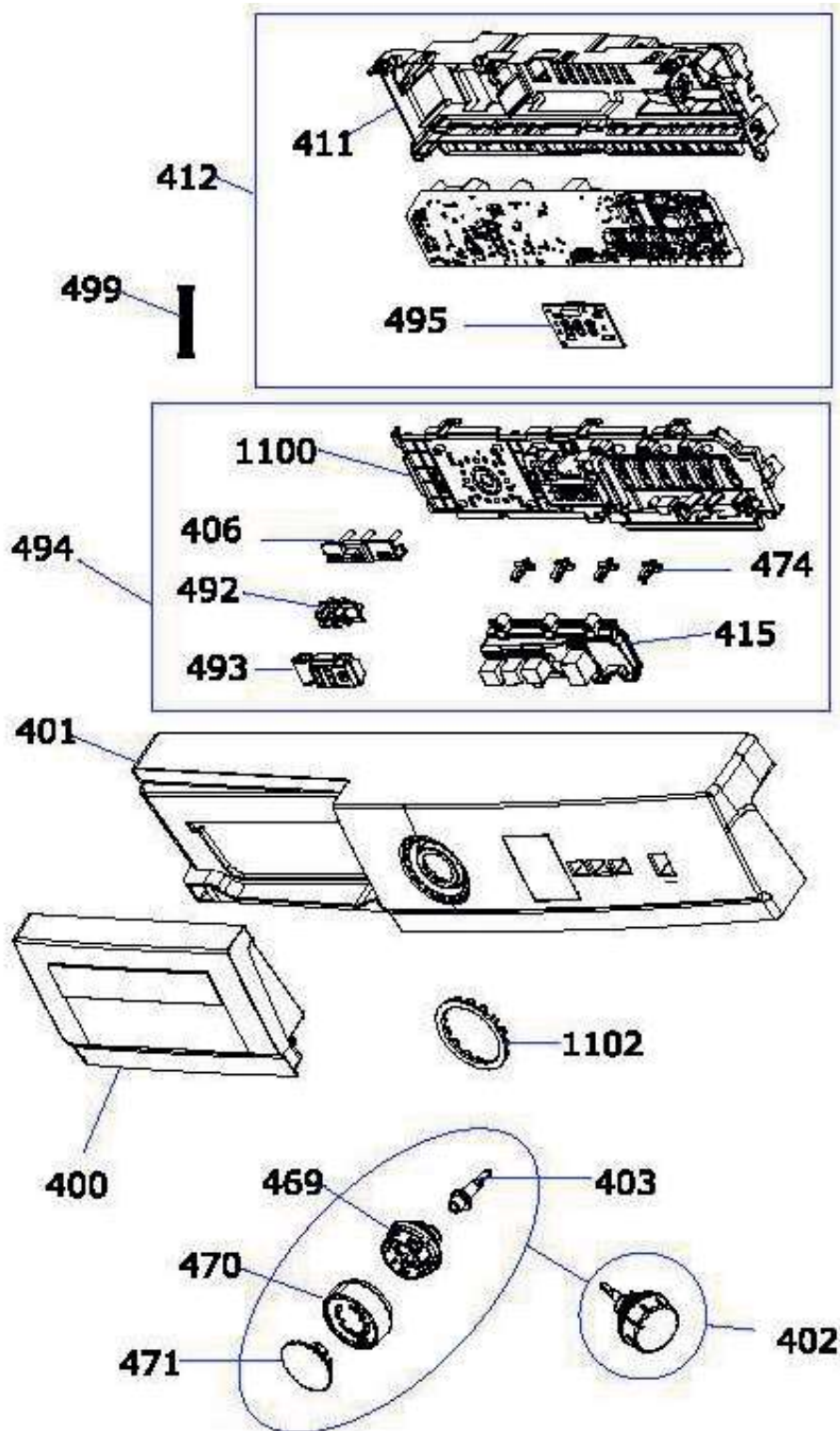
**Vue éclatée / Exploded view**

**Lave-linge / Washing machine**

**LF612L4S**

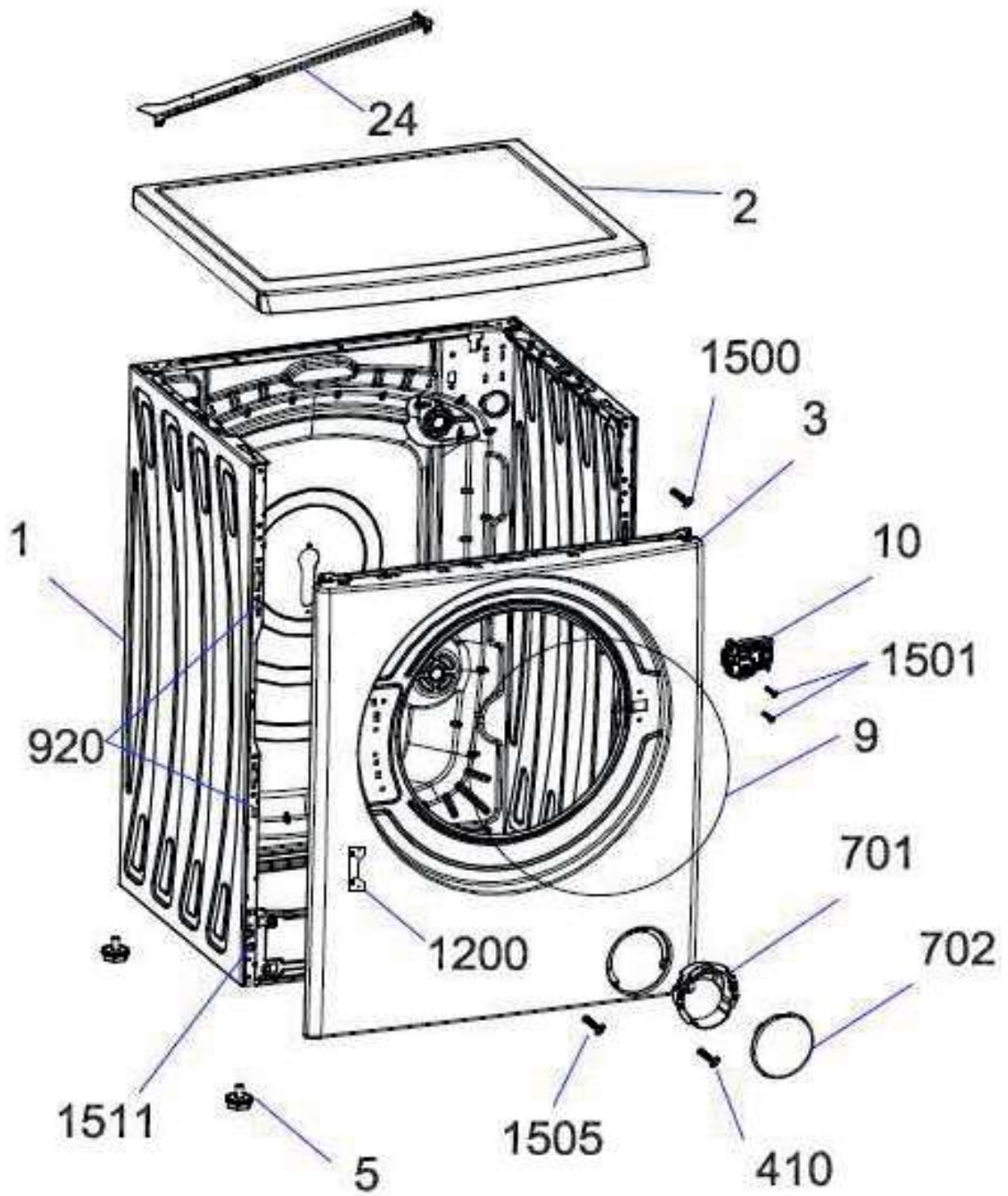
8010677

## VUE ÉCLATÉE / EXPLODED VIEW

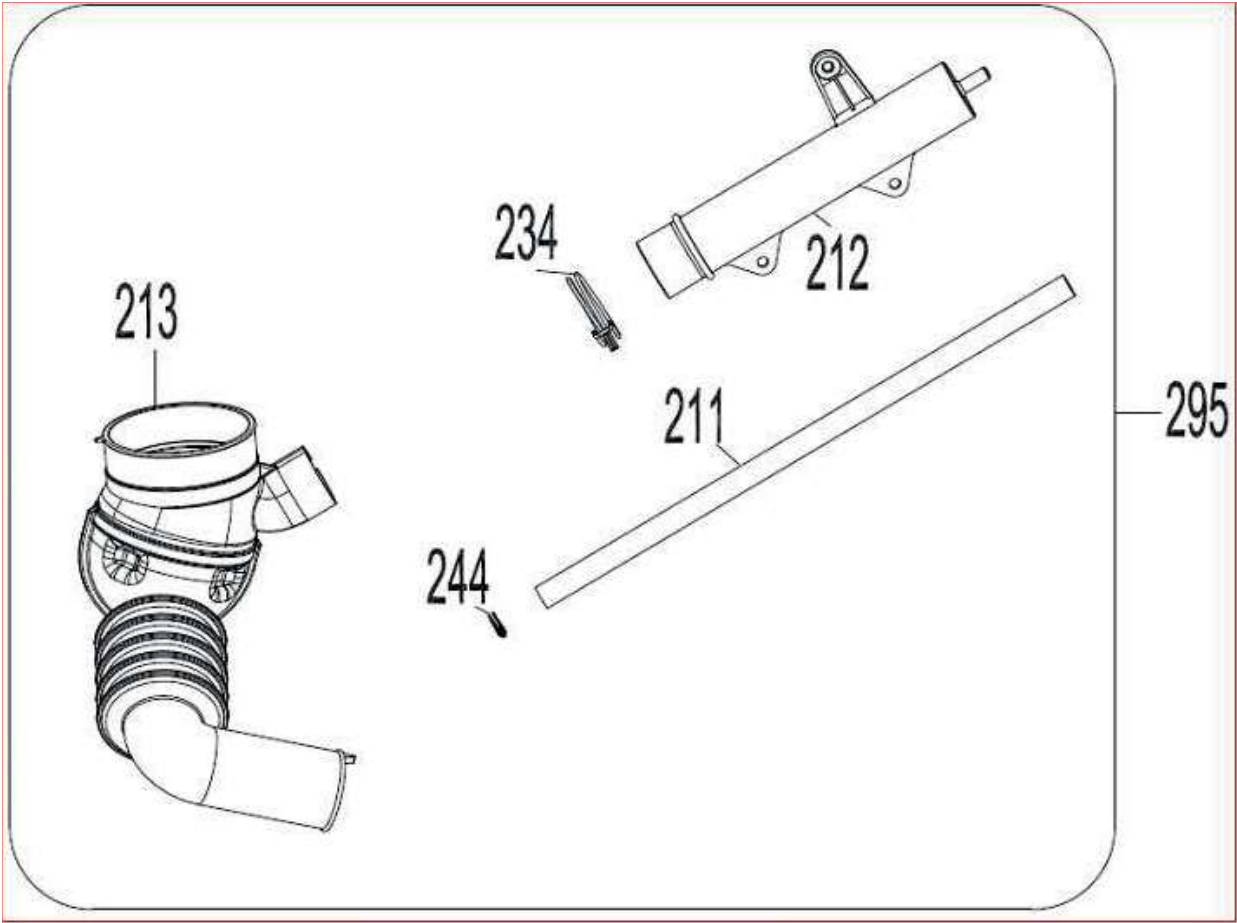


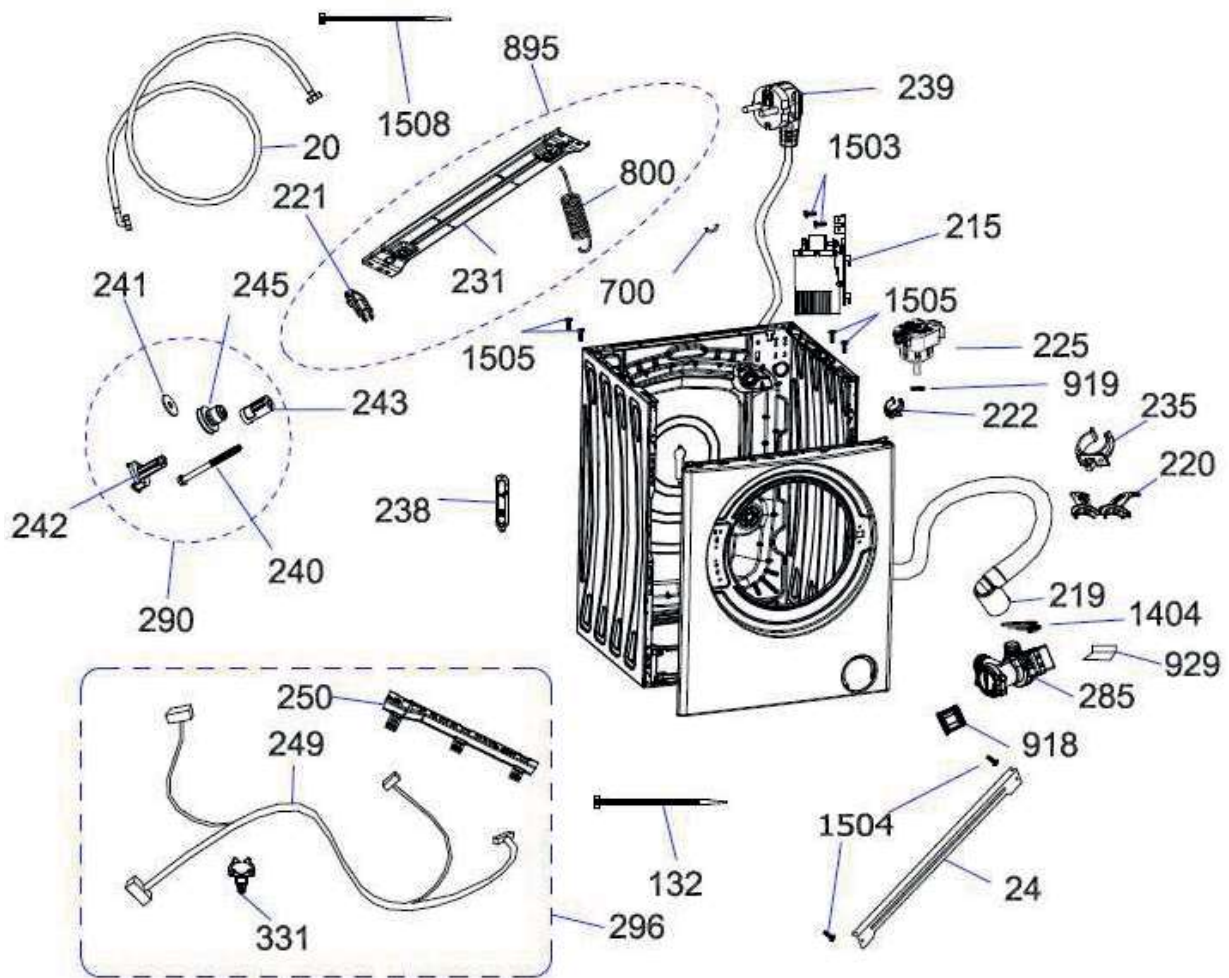
Toutes les informations, dessins, croquis et images dans ce document relèvent de la propriété exclusive de SOURCING & CREATION. SOURCING & CREATION se réserve tous les droits relatifs à ses marques, créations et informations. Toute copie ou reproduction, par quelque moyen que ce soit, sera jugée et considérée comme une contrefaçon.

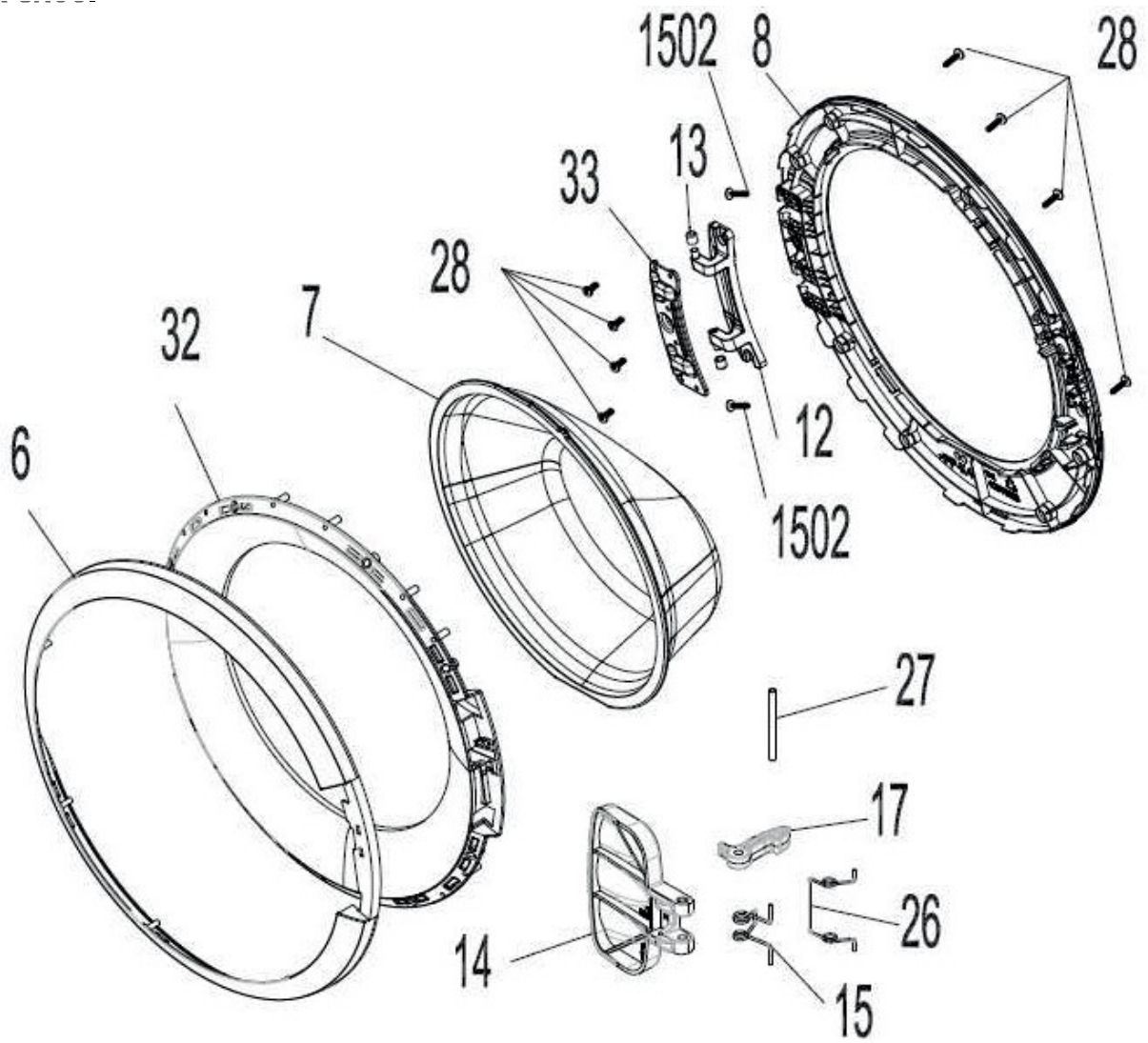
All information, designs, drawings and pictures in this document are the property of SOURCING & CREATION. SOURCING & CREATION reserves all rights to its brands, designs and information. Any copy and reproduction through any means shall be deemed and considered as counterfeiting.











995



996



997



998

## PIÈCES DÉTACHÉES / SPARE PARTS

N° VUE	REF PIECE	DESIGNATION (FR)	DESIGNATION (ENG)	INFORMATION
1	20710121	MEUBLE	CABINET ASSEMBLY	
2	42035636	DESSUS COUVERCLE	TOP FRAME ASSEMBLY	
3	22179634	FACADE AVANT	FRONT PANEL	
5	22035571	PIED	FEET	
6	42208959	ENJOLIVEUR HUBLOT EXTERNE C12 C22	PORTHOLE OUTER PLASTIC C12 C22	
7	47003030	HUBLOT VERRE D310MM	DOOR GLASS D310MM	
8	42125292	CONTRE PORTE HUBLOT GRIS	DOOR INSIDE FRAME -GREY	
9	37008604	COLLIER JOINT HUBLOT/MEUBLE	DOOR GASKET FIXING RING	
10	32035412	SECURITE PORTE 3COSSES	DOOR LOCK	
12	37016846	CHARNIERE HUBLOT	DOOR HINGE	
13	42030372	AXE CHARNIERE HUBLOT (UNITAIRE)	HINGE AXIS ASSEMBLED DOOR (unit)	
14	42210161	POIGNEE HUBLOT C12	DOOR HANDLE C12	
15	35007443	RESSORT POIGNEE PORTE	DOOR HANDLE SPRING	
17	37008931	CROCHET POIGNEE HUBLOT	DOOR HANDLE HOOK	
20	40014423	TUYAU ARRIVÉE D'EAU	HOSE -WATER INLET	
24	22183972	TRAVERSE SUPERIEURE AVANT	UPPER SUPPORT BRACKET-front	
26	37014985	RESSORT POIGNEE HUBLOT	HOOK SPRING	
27	35007434	AXE CROCHET POIGNEE PORTE (50.78MM D 3.86MM)	HANDLE HOOK AXIS (50.78MM D 3.86MM)	
28	35008714	VIS FIXATION CUVE (3.5x9)	SCREW 3,5X9	
32	42211602	ENJOLIVEUR HUBLOT INTERNE	PORTHOLE INNER FRAME PLASTIC	
33	37016847	SUPPORT CHARNIERE HUBLOT	DOOR HINGE HOLDER	
100	42323646	COURROIE 1234PJE4	BELT 1234PJE4	
101	22115426	POULIE TAMBOUR AXE=14.5mm	DRUM PULLEY (14,5MM)	
102	32051533	MOTEUR 1200T 44L 39mm KENNING	MOTOR 1200T 44L 39mm KENNING	
103	20820299	CUVE 1/2 ARRIERE	REAR TANK GROUP	
104	47010522	AMORTISSEUR 80N	SHOCK ABSORBER LL 80N	
105	42025094	AXE AMORTISSEUR	SHOCK ABSORBER PIN	
112	47014994	LEST SUPERIEUR 10.75KG	COUNTER WEIGHT(UPPER)	
113	42015077	JOINT 1/2 CUVE AV/CUVE ARR	TUB SEAL	
115	37018738	CLIPS FIXATION RESISTANCE	RESISTANCE FIXING CLIP	
117	42105195	CUVE 1/2 AVANT	TANK 1/2 FRONT	
118	42002568	JOINT HUBLOT ALVA-A 42L	DOOR GASKET	
119	37008603	COLLIER JOINT HUBLOT/CUVE	CLAMP DOOR GASKET/TANK	
120	47017173	LEST AVANT	COUNTER WEIGHT (FRONT)	
121	20846083	RESISTANCE 1850W +SONDE	HEATING ELEMENT + SENSOR	
122	37007899	VIS 8x28 THB	SCREW 8X28	
124	22058506	ECROU POULIE TAMBOUR	DRUM PULLEY NUT	
126	37014521	VIS 1/2 CUVE AV/AR	SCREW 1/2 TANK FRONT/BOTTOM	
132	42048113	COLLIER	CLAMP	
160	20913010	TAMBOUR 44-45L 1200T	DRUM 44-45L 1200T	
200	42185103	BOITE LESSIVE COMPLETE	DETERGENT BOX ASSEMBLED	
202	42185070	SYPHON ASSOUPLEISSANT BLEU	SIPHON	
203	42185103	BOITE LESSIVE COMPLETE	DETERGENT BOX ASSEMBLED	
205	42185103	BOITE LESSIVE COMPLETE	DETERGENT BOX ASSEMBLED	
206	42087110	DURITE BOITE LESSIVE / CUVE	TUB INLET HOSE.	
207	42004536	TUYAU ELECTROVANNE/BOITE (long=220mm)	HOSE VALVE/DETERGENT BOX 220MM	
208	42004535	TUYAU ELECTROVANNE/BOITE (long=200mm)	HOSE VALVE/DETERGENT BOX 200MM	
209	32035767	ELECTROVANNE 2 VOIES	WATER INLET VALVE	
211	42078599	DURITE PRESSOSTAT (long=577mm)	PRESSURE SWITCH HOSE L=577MM	

212	42259234	CHAMBRE COMPRESSION	COMPRESSION CHAMBER	
213	42127585	DURITE CUVE/POMPE VIDANGE	TUB FILTER HOSE ASSEMBLY COMPLETE	
214	42185061	COUVERCLE SYPHON BLEU	SIPHON COVER	
215	32005983	CONDENSATEUR ANTIPARASITE 0.47uF	INTERFERENCE SUPPRESSOR 0.47uF	
219	42074837	TUYAU DE VIDANGE	HOSE DRAIN PUMP	
220	42019322	CROSSE TUYAU DE VIDANGE	DISCHARGE HOSE HOLDER	
221	42016727	ENTRETOISE RESSORT/MEUBLE	SPRING HANGER SHEET	
222	42022768	SUPPORT PRESSOSTAT	PRESSURE SWITCH HOLDER	
225	32043416	PRESSOSTAT ELECTRONIQUE	ELECTRONIC PRESURE SWITCH	
228	42225796	COLLIER TUYAU	HOSE CLAMP	
231	22183980	TRAVERSE SUPERIEURE	UPPER MOUNTING PANEL	
234	37027058	COLLIER POMPE VIDANGE/TUYAU VIDANGE	DRAIN PUMP CLAMP	
235	40014270	COLLIER TUYAU VIDANGE	HOSE DRAIN CLAMP	
238	42261745	CACHE ARRIERE VIS POULIE	REAR COVER PULLEY SCREW	
239	32016715	CABLE ALIMENTATION 3G1,5	POWER CORD ASSY.	
241	37015272	RONDELLE VIS POULIE TAMBOUR 29*8*2	WASHER SCREW DRUM PULLEY 29*8*2	
244	35008991	COLLIER DURITE PRESSOSTAT	PRESSURE SWITCH HOSE CLAMP	
250	42093407	SUPPORT	HOLDER	
251	42028367	SUPPORT CABLAGE	WIRING HOLDER	
270	42185103	BOITE LESSIVE COMPLETE	DETERGENT BOX ASSEMBLED	
285	32048313	POMPE VIDANGE LEILI 13mm BPX132-6L	DRAIN PUMP LEILI 13mm BPX132-6L	
290	37015676	KIT BRIDAGE UNITAIRE	TRANSPORT SAFETY ASSEMBLY	
295	42079698	DURITE CUVE/PV CHAMBRE COMPRESSION + TUYAU PRESSOSTAT	TANK/DRAIN PUMP HOSE + COMPRESSION CHAMBER + PRESSURE SWITCH HOSE	
296	32034705	CABLAGE 6/8/10/12	WIRING 6/8/10/12	
331	42085086	SUPPORT CABLE	WIRING HOLDER	
400	42332532	FACADE TIROIR	DETERGENT DRAWER	
401	42332529	BANDEAU LF612-L4S LISTO	CONTRO PANEL LF612-L4S	
402	42306356	MANETTE PROGRAMME	PROGRAM KNOB	
403	42161575	AXE MANETTE	KNOB AXIS	
405	42197369	TRANSFERT LAMPE T0 T30	LIGHTGUIDE T0 T30	
410	37016360	VIS 4*12 TORX	SCREW 4X12 TORX	
411	42187918	BOITIER PLATINE	HOLDERBOX BOARD	
412	22329110	PLATINE TO 517BFFF020200000-V0023-A HT	E.CARD TO 517BFFF020200000-V0023-A HT	
415	42210167	BOUTON SELECTION T0-T1 T30	SELECTION BUTTON	
474	42187938	ENTRETOISE BOUTON SELECTION	SELECTION BUTTON SPACER	
492	42215796	GUIDE CACHE TRANSFERT	LIGHT GUIDE	
493	42215795	CACHE TRANSFERT	LIGHT GUIDE COVER	
495	22313537	PLATINE DISPLAY	DISPLAY CARD	
499	32035097	CABLE COMMUNICATION	LCD COMMUNICATION CABLE-MECHANICAL	
700	42019298	DOUILLE RESSORT/CUVE	SOCKET SPRING/TANK	
701	42187827	SUPPORT CACHE POMPE	PUMP COVER HOUSING	
702	42210183	CACHE POMPE	PUMP COVER	
800	37022658	RESSORT SUSPENSION CUVE	SUSPENSION SPRING	
806	35007454	RONDELLE POULIE 28x8x3	WASHER SCREW PULLEY 28x8x3	
807	37019416	VIS LEST AVANT 10x40	(FRONT)	
808	37003063	VIS LEST SUPERIEUR	SCREW-COUNTERWEIGHT (UPPER)	
811	37016379	RENFORT TOLE	SHEET REINFORCEMENT	
812	37000615	ECROU LEST SUPERIEUR	FLANGED NUT	
813	42148896	AUBE	AGITATOR	
899	32004582	RESISTANCE 1850W	HEATING ELEMENT 1850W	

918	42268876	BOUCHON POMPE LEILI	PLUG PUMP LEILI	
918	42268872	FILTRE HANYU	FILTER HANYU	
920	42020456	CLIPS PANNEAU AVANT	CLIPS FRONT PANEL	
906	42185073	PLAQUE LESSIVE LIQUIDE	LIQUID DETERGENT KIT	
907	40020601	CROSSE TUYAU VIDANGE 408x122	DRAIN HOSE HOLDER	
998	42161854	CACHE BRIDAGE	REAR COVER CAP	
999	32025771	SONDE RÉSISTANCE	NTC TEMPERATURE SENSOR	
1100	42187917	SUPPORT TRANSFERT-BOUTONS	BUTTONS BACK CASING	
1102	42205079	TRANSFERT T30	LIGHTGUIDE INSERT	
1200	22132295	SUPPORT CHARNIERE	HINGE HOLDER	
1401	37011009	COLLIER DURITE BOITE LESSIVE/CUVE	HOSE CLAMP	
1402	35007369	COLLIER DURITE CUVE POMPE coté cuve + vis	HOSE CLAMP + SCREW 72MM	
1403	37027638	COLLIER DIAM 38.8mm	HOSE CLAMP (ø 38,8)	
1500	37015098	COLLIER DURITE BOITE LESSIVE/CUVE	HOSE CLAMP	
1501	37014455	VIS 4.2x16	SCREW 4,2X16	
1502	37035481	VIS CHARNIERE HUBLLOT M5x8	SCREW HINGE DOOR M5x8	
1504	37014453	VIS 4.2x13	SCREW 4,2X13	
1507	37019417	RONDELLE POULIE 30x10x3	WASHER 30x10x3	
1508	40007592	SUPPORT CABLE	CABLE BRACKET	
1511	42088991	ENTRETOISE PANNEAU AVANT	FRONT PANEL SPACER	
1603	42026116	SUPPORT TUYAU	HOSE HOLDER	