

essentiel 

Lave vaisselle / Dishwasher

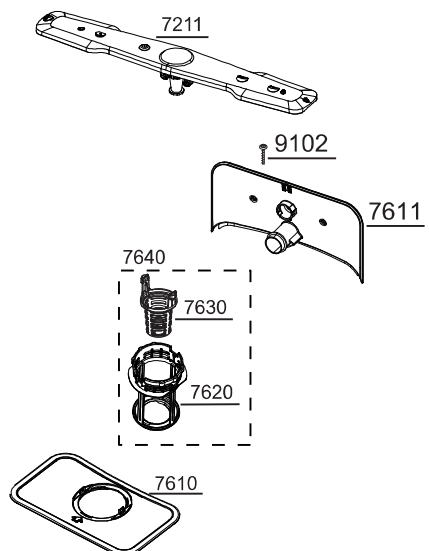
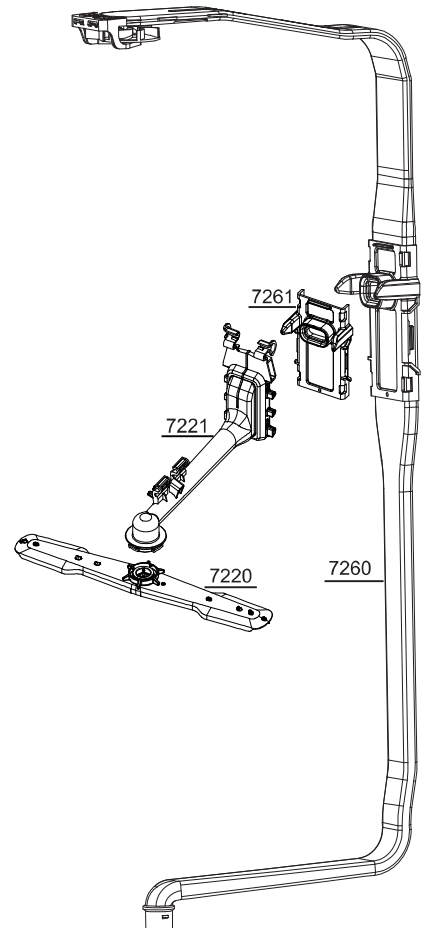
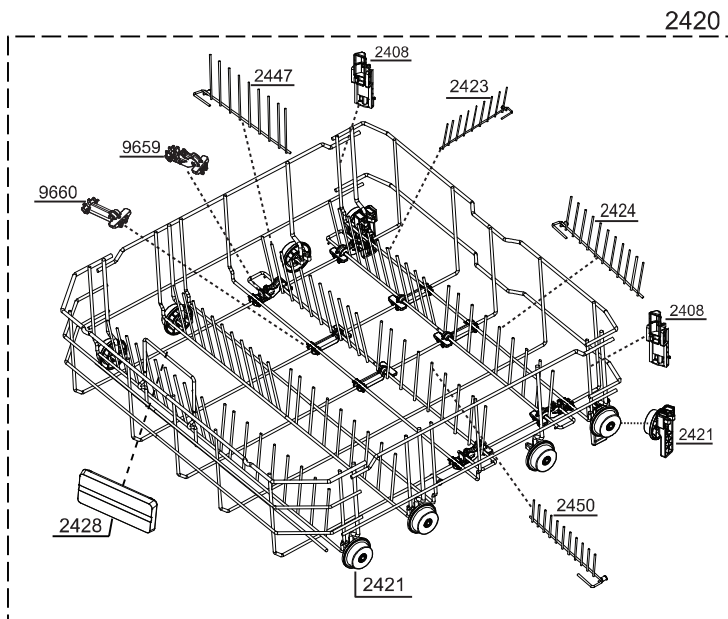
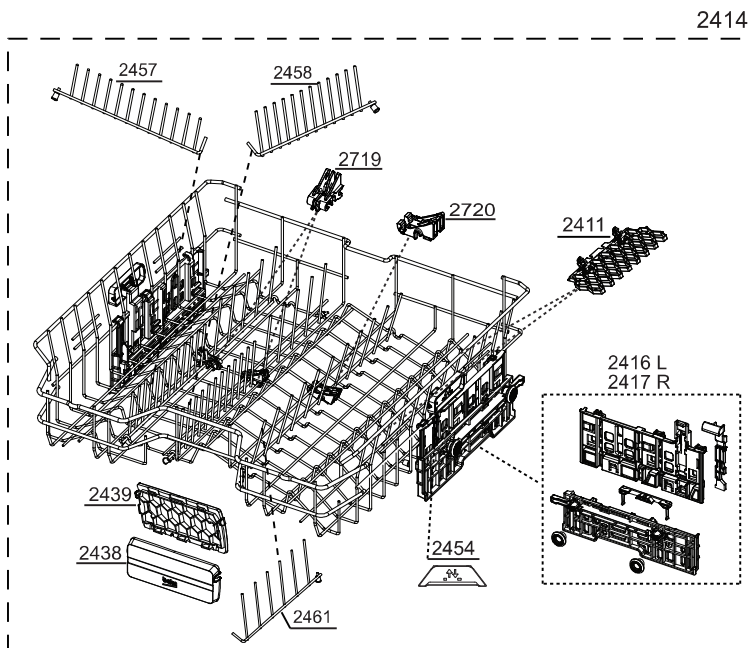
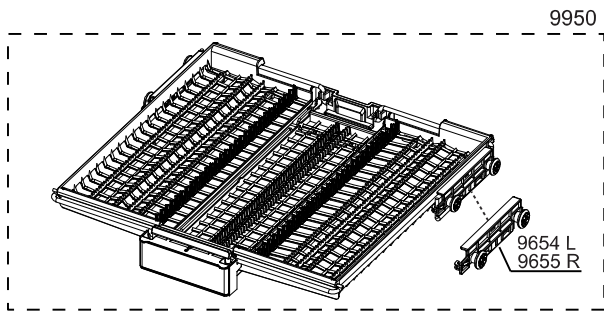
ELVI451i

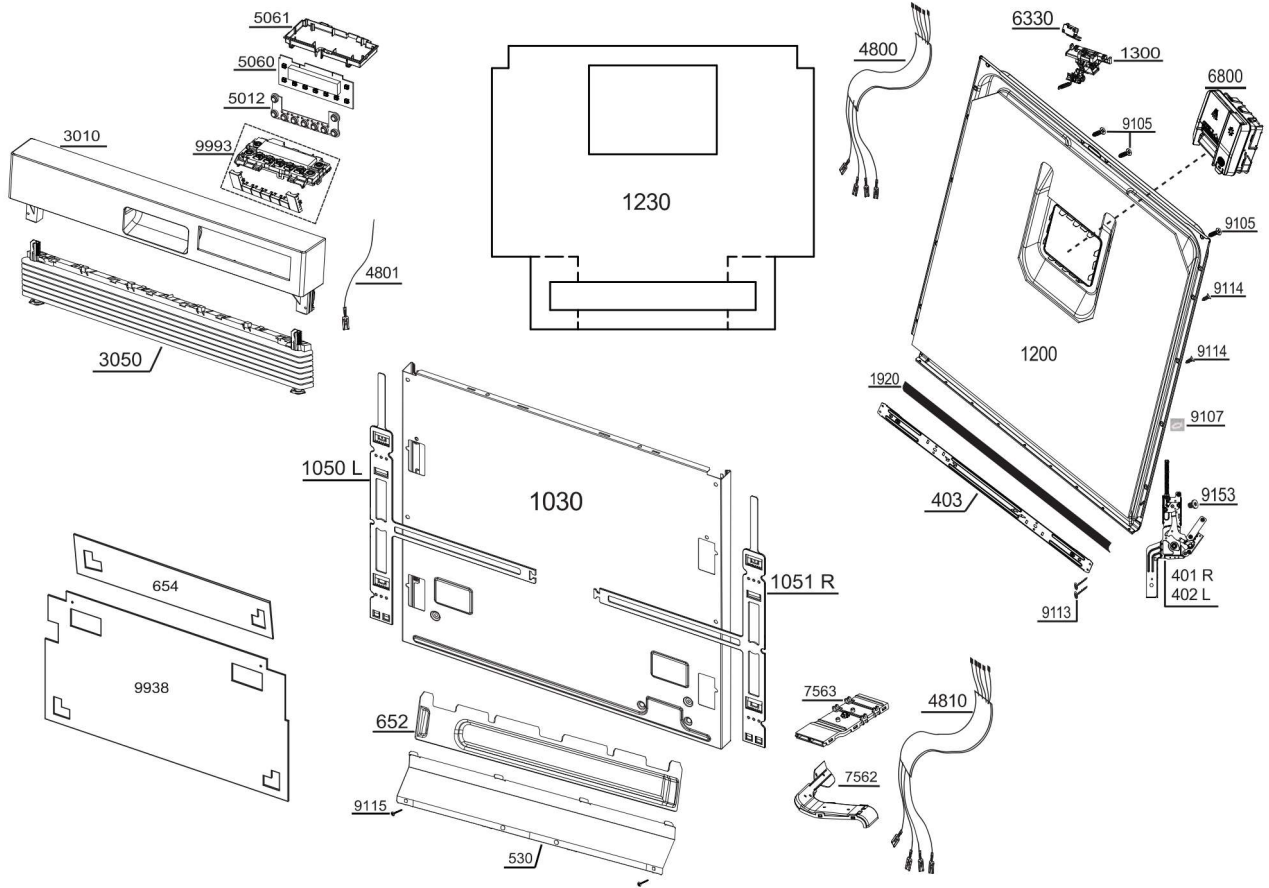


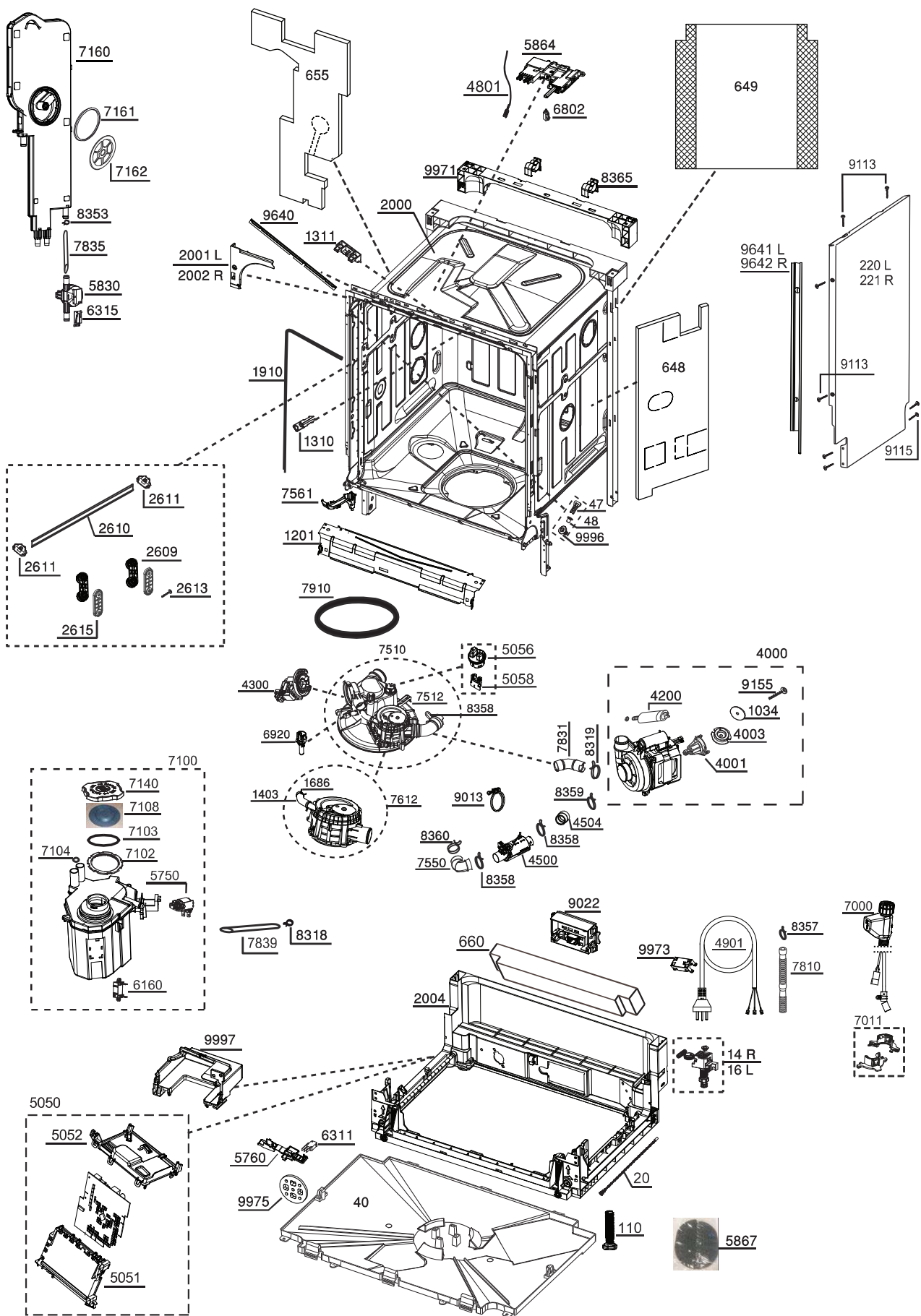
Vue éclatée / Exploded view

8010832

Vue éclatée / Exploded view







Liste des pièces détachées / Spare parts list

N° VUE	REF PIECE	DESIGNATION (FR)	DESIGNATION (ENG)
1030	1880072711	FACADE PORTE	OUTER DOOR-ARC744
1034	1746970100	RONDELLE	HANDLE AUXILIARY PART
1050	1782980200	EQUERRE D'HABILLAGE GAUCHE	BOARD CONNECTION PART-LEFT
1051	1782980100	EQUERRE D'HABILLAGE DROITE	BOARD CONNECTION PART-RIGHT
106	2906860200	TUYAU D'ALIMENTATION EN EAU L=1550mm	WATER INLET HOSE ASSEMBLY L=1550
110	1783660300	PIED AJUSTABLE	ADJUSTABLE FOOT
1200	1512250100	CONTRE PORTE	INNER DOOR
1201	1783050600	SUPPORT INFERIEUR AVANT	FRONT LOWER SUPPORT SHEET
1230	1882770600	ISOLATION DE PORTE	DOOR INSULATION
1300	1510600200	BLOC SECU/VERROU DE PORTE	SELFRESETTING LOCK GROUP
1310	1764130100	CROCHET DE VERROUILLAGE	LOCK_HOOK
1311	1760980100	SUPPORT CROCHET	DOOR LOCK HOOK SUPPORT BI
14	1783200400	PIED DROIT ARRIERE AJUSTABLE	BACK SIDE ADJUSTABLE FOOT RIGHT
1403	2600942700	TUYAU DE LIAISON 6CM	HOSE
16	1783200300	PIED GAUCHE ARRIERE AJUSTABLE	BACK SIDE ADJUSTABLE FOOT LEFT
1686	2002374300	COLLIER (Diam 18)	HOSE CLAMP (Diam 18)
1910	1749190100	JOINT DE TOUR DE PORTE L=1775MM	DOOR SEALING GASKET- L=1775
1920	1882470100	JOINT BAS DE PORTE	DOOR SEALING GASKET - BOTTOM
20	1757740200	RACCORD PIED REGLABLE ARRIERE	REAR ADJUSTABLE FOOT CONNECTION PART
2000	1513405400	CUVE	STRUCTURE GR.
2001	1783400100	EQUERRE	CORNER BRACKET
2002	1783400200	EQUERRE	CORNER BRACKET
2004	1783700500	SOCLE	FS BOTTOM TRAY GR
220	1764120102	PANNEAU LATERAL GAUCHE	SIDE PANEL-LEFT
221	1764120202	PANNEAU LATERAL DROITE	SIDE PANEL-RIGHT
2411	1510460200	TABLETTE (PANIER SUPERIEUR)	SHELF GROUP (UPPER BASKET)
2416	1520400100	SUPPORT ROULETTES GAUCHE (PANIER SUPERIEUR)	UPPER BASKER MECHANISM GROUP-LEFT
2417	1520400200	SUPPORT ROULETTES DROIT (PANIER SUPERIEUR)	UPPER BASKER MECHANISM GROUP-RIGHT
2420	1758971400	PANIER INFERIEUR	LOWER BASKET GROUP
2421	1742960100	ROUE PLASTIQUE DE BUTEE DE PANIER INFERIEUR	LOWER BASKET STOPPER PLASTIC WHEEL
2421	1782020100	ROULETTE PANIER INFERIEUR	LOWER BASKET STOPPER PLASTIC WHELL
2423	1513590101	SUPPORT ASSIETTES GAUCHE (PANIER INFERIEUR)	LOWER BASKET PLATE HOLDER BACK LEFT
2424	1513610101	SUPPORT ASSIETTES DROIT (PANIER INFERIEUR)	LOWER BASKET PLATE HOLDER BACK RIGHT
2428	1510450100	PARTIE ARRIERE POIGNEE (PANIER INFERIEUR)	HANDLE BACK PART
2429	1756390800	POIGNEE (PANIER INFERIEUR)	LOWER BASKET HANDLE
2430	1751500200	PANIER A COUVERTS	CUTLERY BASKET GROUP-SLIDING
2437	1751530200	SEPARATEUR PANIER A COUVERTS	CUTLERY BASKET SEPARATOR
2438	1510440100	POIGNEE DEVANT	HANDLE FRONT PART
2447	1513620101	SUPPORT ASSIETTES GAUCHE (PANIER INFERIEUR)	LOWER BASKET PLATE HOLDER LEFT
2450	1513670101	SUPPORT ASSIETTES DROIT (PANIER INFERIEUR)	LOWER BASKET PLATE HOLDER RIGHT
2454	1784850500	CLIP REGLAGE (PANIER SUPERIEUR)	UPPER BASKET MECHANISM CLASP
2457	1513010101	SUPPORT Pliable POUR BOLS	FOLDABLE WIRE OF THE BOWL HOLDER
2458	1513020101	SUPPORT Pliable POUR BOLS	FOLDABLE WIRE OF THE BOWL HOLDER
2461	1513050101	SUPPORT POUR VERRES	FOLDABLE WIRE OF THE GLASS HOLDER
2609	1752600400	ROULETTE DE PANIER	RAIL WHEEL GROUP
2611	1732840100	EMBOUT DE RAIL AVANT ET ARRIERE	RAIL CAP- FRONT&BACK
2613	1748940200	VIS	RAIL WHEEL SCREW
2615	1749910100	SUPPORT	RAIL WHEEL HOLDER
2719	1512980100	CLIP	TOP BASKET BOWL FOLDABLE PART
2720	1512990100	CLIP	TOP BASKET GLASS FOLDABLE PART
3010	1764850058	BANDEAU	PANEL GROUP
3030	1742861000	POIGNEE DE PANNEAU	PANEL HANDLE
3050	1891502500	REHAUSSE-BAGUETTE DE REGLAGE PORTE	PANEL LEVEL ADJUSTEMENT PART
40	1783130400	PLAQUE DE FOND	BOTTOM TRAY
4000	1740704500	POMPE DE CYCLAGE	CIRCULATION PUMP
4001	1783280100	CONNECTEUR	CONNECTOR
4003	1783290100	JOINT (POMPE CIRCULATION)	DAMPER DISK RUBBER
401	1768440400	CHARNIERE DROITE	HINGE ARM-RIGHT
402	1768440200	CHARNIERE GAUCHE	HINGE ARM-LEFT

N° VUE	REF PIECE	DESIGNATION (FR)	DESIGNATION (ENG)
403	1888190200	SUPPORT DE BRAS DE CHARNIERE	HINGE ARM SUPPORT
4200	1883790400	CONDENSATEUR 4µ-450V	CAPACITOR 4µ-450V
4300	1748200100	POMPE DE VIDANGE 25W	ALUMINIUM WRAPPED DISCHARGE ENGINE
4500	1888130200	RESISTANCE Ø 32MM 1800W-230V	HEATER Ø 32MM 1800W-230V
4504	1719970100	TUYAU (POMPE-ELEMENT CHAUFFANT)	PUMP INLET HOSE
47	1519890100	ESPACEUR INTERIEUR	SPACER INNER PART
48	1519880100	ESPACEUR EXTERIEUR	SPACER OUTSIDE PART
4800	1758061700	FAISCEAU CABLES	MESE CABLE HARNESS
4801	1745690100	FAISCEAU CABLES	CABLE HARNESS
4810	1767022000	FAISCEAU CABLES	MESE CABLE HARNESS
4901	1751595600	CABLE D'ALIMENTATION	MAIN PLUG-CABLE PROTECTION GR
5012	1769360200	JOINTS DE TOUCHES	BUTTON GASKET
5050	1510153375	CARTE ELECTRONIQUE D111662	ELECTRONIC CARD D111662
5051	1758680100	BOITEIR AVANT MODULE	MESE CARD HOLDER FRONT PART
5052	1758690100	BOITIER ARRIERE MODULE	MESE CARD HOLDER BACK PART
5056	1749580100	CHASSIS CARTE TURBIDITE	TURBIDITY FRAME_2K
5058	1898900400	DETECTEUR TURBIDITE	TURBIDITY CARD AND LED HOLDER GR-WHITE
5060	1769880100	CARTE AFFICHAGE	DISPLAY CARD
5061	1513090100	SUPPORT DE MODULE	DISPLAY CARD HOLDER BACK PART D1 B6
530	1783060200	SUPPORT DE PLINTHE	KICK PLATE STEEL
5710	1883570300	ELECTROVANNE 1 VOIE	WATER INLET VALVE
5750	1761250100	VANNE REGENERATION	REGENERATION VALVE GR SNAP FIT
5760	1761920100	SUPPORT SWITCH ANTI DEBORDEMENT	OVER FLOATING CASING
5864	1765950100	FERMETURE DE PORTE	DOOR OPENING GROUP
5867	1732490500	JOINT	BOTTOM TRAY GASKET GR.
6160	1761260100	INDICATEUR / CAPTEUR DE SEL	SALT INDICATOR SWITCH
6311	1761940200	CONTACTEUR G5S05	MICRO SWITCH
6311	1761940100	CONTACTEUR L54 AD	MICRO SWITCH
6315	1760940100	DEBIMETRE PCB	COUNTER PCB_4
6330	1731980300	MICRO INTERRUPTEUR DE PORTE	NEW DOOR SWITCH
648	1744960100	ISOLATION DROITE	INNER TUB ISOLATION-RIGHT
649	1744930200	ISOLATION CADRE ARRIERE	REAR FRAME COTTON FLEECE
650	1780800100	ISOLATION	UPPER ISOLATION
652	1783840100	ISOLATION	KICK PLATE PAD
654	1731490100	ISOLATION	KICK PLATE FELT
655	1783830100	ISOLATION GAUCHE	INNER TUB ISOLATION LEFT
660	1783950100	ISOLATION	KICK PLATE ISOLATION
6800	1512300100	BOITE A PRODUITS	DETERGENT BOX
6800	1745060100	BOITE A PRODUITS	DETERGENT BOX
6802	1831470000	ELECTRO AIMANT	ELECTRO MAGNET
6920	1887740400	SONDE NTC	NTC SENSOR
7010	1887440300	TUYAU D'ALIMENTATION	WATER INLET HOSE
7100	1782500100	ENSEMBLE BAC A SEL	WATER_SOFTENER_ASSY
7101	1760190100	JOINT O-RING (REPARTITEUR)	O-RING WATER SOFTENER AIR BREAKER
7102	1742450100	ECROU DU POT A SEL	WATER SOFTENER NUT-
7103	1766470100	JOINT BOUCHON	SOFTONER O-RING
7108	1883910300	JOINT BOUCHON BOITE A SEL	WATER SOFTENER CAP GASKET
7140	1766560300	BOUCHON A SEL	WATER SOFTONER CAP
7160	1760200400	REPARTITEUR D'EAU	REGENERATION UNIT GR
7161	1882630200	JOINT REPARTITEUR D'EAU	AIR FUNNEL GASKET
7162	1882620700	COUVERCLE REPARTITEUR D'EAU (REGLAGE)	AIR FUNNEL CAP
7211	1764790100	BRAS DE CYCLAGE INFERIEUR	LOWER SPRAY ARM GROUP
7220	1745630100	BRAS DE CYCLAGE SUPERIEUR	TOP SPRAY ARM GROUP COMPLETE
7221	1512280300	SUPPORT BRAS DE CYCLAGE SUPERIEUR (ALIMENTATION EAU)	UPPER SPRAY ARM FEEDING HOSE GR
7260	1512590500	TUBE D'ALIMENTATION BRAS SUPERIEUR	ATLANTIS WATER SUPPLY TUBE GR.
7261	1512510100	GUIDE TUBE ALIMENTATION	UPPER SPRAY ARM FEED PIPE CENTERING PART
7510	1784900300	ENSEMBLE PUISARD VALVE MECANIQUE	SUMP GROUP MECHANICAL VALVE
7512	1786415200	VANNE 6 VOIES	6 WAY VALVE
7514	1889860600	REMBOURRAGE DE COIN AVANT	CORNER PADDING GR-FRONT

N° VUE	REF PIECE	DESIGNATION (FR)	DESIGNATION (ENG)
7515	1889870300	REBOURRAGE DE COIN ARRIERE	REAR CORNER PADDING GR-BACK
7517	1897070400	EMBALLAGE SUPERIEUR	UPPER PACKAGE COVER
7518	1764150400	EMBALLAGE INFERIEUR	PACKAGING BOTTOM STYROPHOR
7520	1885480100	SUPPORT BASE CHASSIS	SUPPORT SYROPOR OF KICK PLATE
7550	1740110100	DURITE COUDEE (RESISTANCE-BOL)	HOSE BETWEEN SUMP AND HEATER
7561	1752350100	SIPHON DE TROP-PLEIN	OWERFLOW SIPHON
7562	1799990200	GUIDE CABLES	CABLE HOLDER UPPER PART
7563	1799980200	GUIDE CABLES	CABLE HOLDER TOP PART
7610	1786610200	FILTRE METALLIQUE PLAT (TAMIS)	METAL FILTER HALF
7611	1786790600	SUPPORT FILTRE	HALF FILTER SUPPORT
7612	1784700100	VANNE MECANIQUE	MECHANICAL VALVE GROUP
7620	1796080500	MICRO FILTRE (SANS JOINT)	MICRO FILTER GROUP NO RING
7630	1740230300	FILTRE AMOVIBLE	COARSE FILTER
7640	1796092100	FILTRE COMPLET (SANS JOINT)	FILTER GROUP COMPLETE - NO RING
7810	1740161500	TUYAU DE VIDANGE	DRAIN HOSE
7815	1752000400	TUYAU DE VIDANGE L=2885MM	DRAIN HOSE L=2885MM
7815	1752000100	TUYAU DE VIDANGE L= 440MM	DRAIN HOSE L=440MM
7831	1731840100	TUYAU	HOSE
7834	1800631600	DURITE REPARTITEUR/ELECTROVANNE	HOSE (VALVE-COUNTER)
7839	1800865800	TUYAU (ADOUCCISSEUR EAU-BOL FOND DE CUVE)	HOSE (PUMP-WATER SOFTENER)
7910	1740050300	JOINT DE BLOC HYDRAULIQUE	SUMP GASKET
8318	2002370900	COLLIER (Ø 16.4)	HOSE CLAMP (Ø 16.4)
8319	2002373200	COLLIER (Ø 40,0)	HOSE CLAMP (Ø 40.0)
8353	2002370800	COLLIER (Ø 15.88)	HOSE CLAMP (Ø 15.88)
8357	2002372100	COLLIER (Ø 34.1)	HOSE CLAMP.(Ø 34_1)
8358	2002372200	COLLIER (Ø 35.6)	HOSE CLAMP.(Ø 35.6)
8359	2002372400	COLLIER (Ø 38.8)	HOSE CLAMP.(Ø 38.8)
8360	2002372500	COLLIER (Ø 47)	HOSE CLAMP (Ø 47)
8365	1783370100	SUPPORT TUYAU	WATER INLET VALVE HOSE HOLDER
8382	9001231200	COLLIER PLASTIQUE 298MM	PLASTIC CLAMP. 298 mm
8385	9003270400	VIS 4X10	PLASTIC SCREW (4_10)
9013	1732850100	COLLIER DE SERRAGE (Ø 40.0)	HOSE CLAMP WITH SCREW (Ø 40.0)
9022	1519451000	SUPPORT CABLE RESEAU	NETWORK CABLE HOLDER
9101	1831680000	VIS (ELECTROVANNE)	SCREW (WATER INLET VALVE)
9102	1889340100	VIS 4X14	SCREW 4x14
9105	1883430100	VIS 4x16	SCREW 4x16
9105	1883430300	VIS	SCREW
9107	1882820100	BUTEE INTERIEURE	INNER DOOR STOPER
9113	1883470100	VIS M4X8	BOLT M4X8 D3731 D3421
9114	1883460100	VIS (PORTE INTERIEURE & EXTERIEURE)	SCREW (INNER-OUTER DOOR)
9115	1801080100	VIS 3,9X9,5	SCREW (3.9x9.5)
9115	1731640100	VIS	WIDE HEADED SCREW
9118	1883410100	VIS	SCREW
9153	1802860200	VIS M5x8	SCREW M5x8
9155	1883440500	VIS	SCREW
9155	1883440400	VIS 5x14	SCREW 5x14
9203	1803430300	VIS	PLASTIC SCREW
9203	1803430100	VIS 4x14	SCREW 4x14
9640	1784160100	JOINT CUVE HAUT DE PORTE	LARGE UPPER SOUND GASKET
9641	1783720300	JOINT GAUCHE	BUILT IN NOISE INSULATOR
9642	1783720400	JOINT DROIT	BUILT IN NOISE INSULATOR
9659	1513630100	CLIP RAIL	FOLDABLE PART LONG
9660	1513640200	CLIP LONG	CLIPS LONG
9663	1513380100	PORTE COUTEAUX	KNIFE HOLDER
9935	1732380100	ENTONNOIR	SALT FUNNEL
9938	1731480100	BAVETTE PLINTHE	KICK PLATE RUBBER
9940	1784430024	KIT ACCESSOIRES	ACCESSORIES GROUP
9966	1783540100	SUPPORT TUYAU DE VIDANGE	DRAIN HOSE LOCK
9971	1764050100	TRAVERSE SUPERIEURE ARRIERE	REAR UPPER TRAVERSE
9971	1764050200	TRAVERSE SUPERIEURE ARRIERE	REAR UPPER TRAVERSE

N° VUE	REF PIECE	DESIGNATION (FR)	DESIGNATION (ENG)
9973	1783190100	FIXATION CABLE	NETWORK CABLE LOCK
9975	1761930100	FLOTTEUR	FLOAT STYROPOR
9993	1780875100	TOUCHES IMPRIMEES	PRINTED KEY GROUP
9996	1519870200	FIXATION	SPACER INNER PART
9997	1757790100	BOITIER CARTE	MESE CARD HOLDER CASING

Toutes les informations, dessins, croquis et images dans ce document relèvent de la propriété exclusive de SOURCING & CREATION. SOURCING & CREATION se réserve tous les droits relatifs à ses marques, créations et informations. Toute copie ou reproduction, par quelque moyen que ce soit, sera jugée et considérée comme une contrefaçon.

All information, designs, drawings and pictures in this document are the property of SOURCING & CREATION. SOURCING & CREATION reserves all rights to its brands, designs and information. Any copy and reproduction through any means shall be deemed and considered as counterfeiting.