

essentiel 

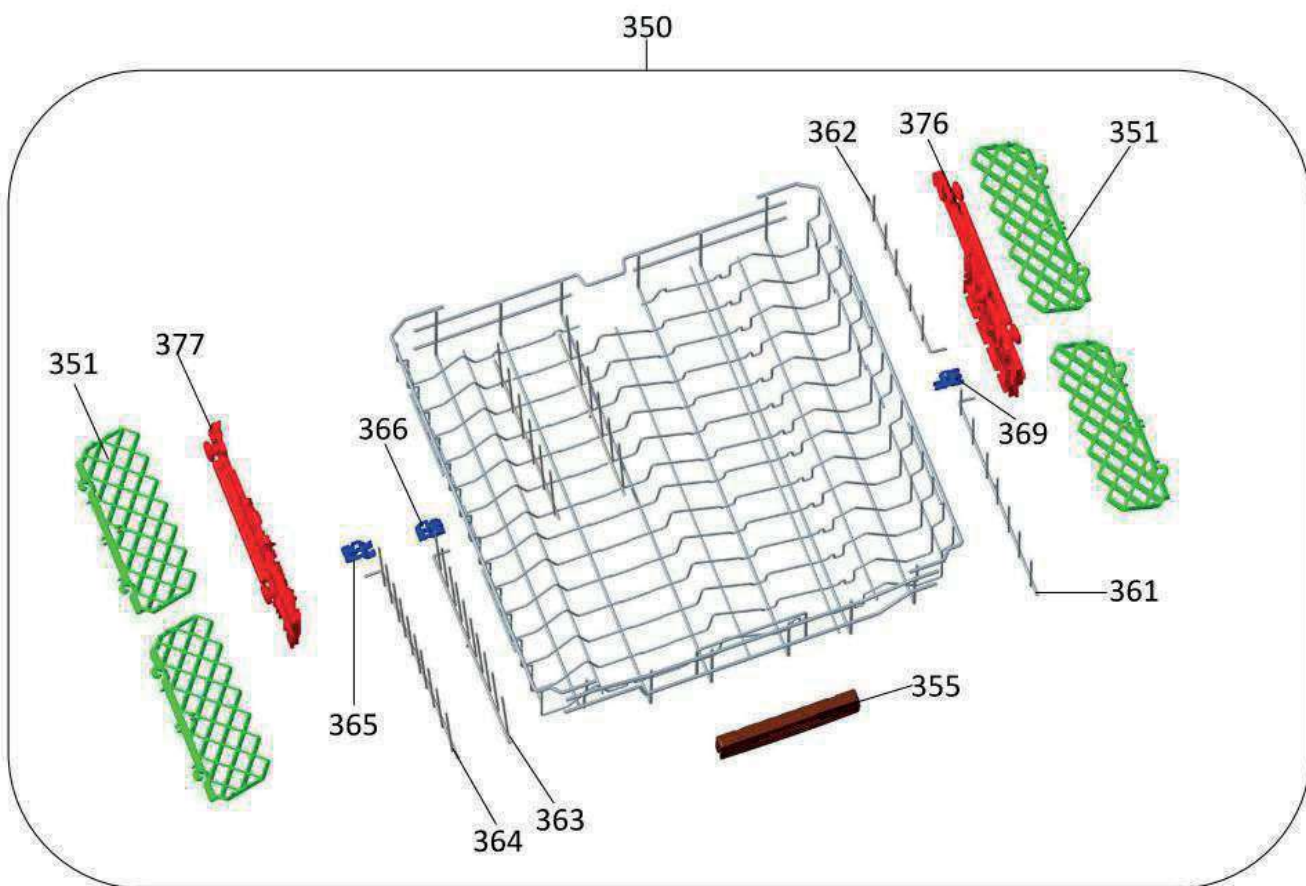
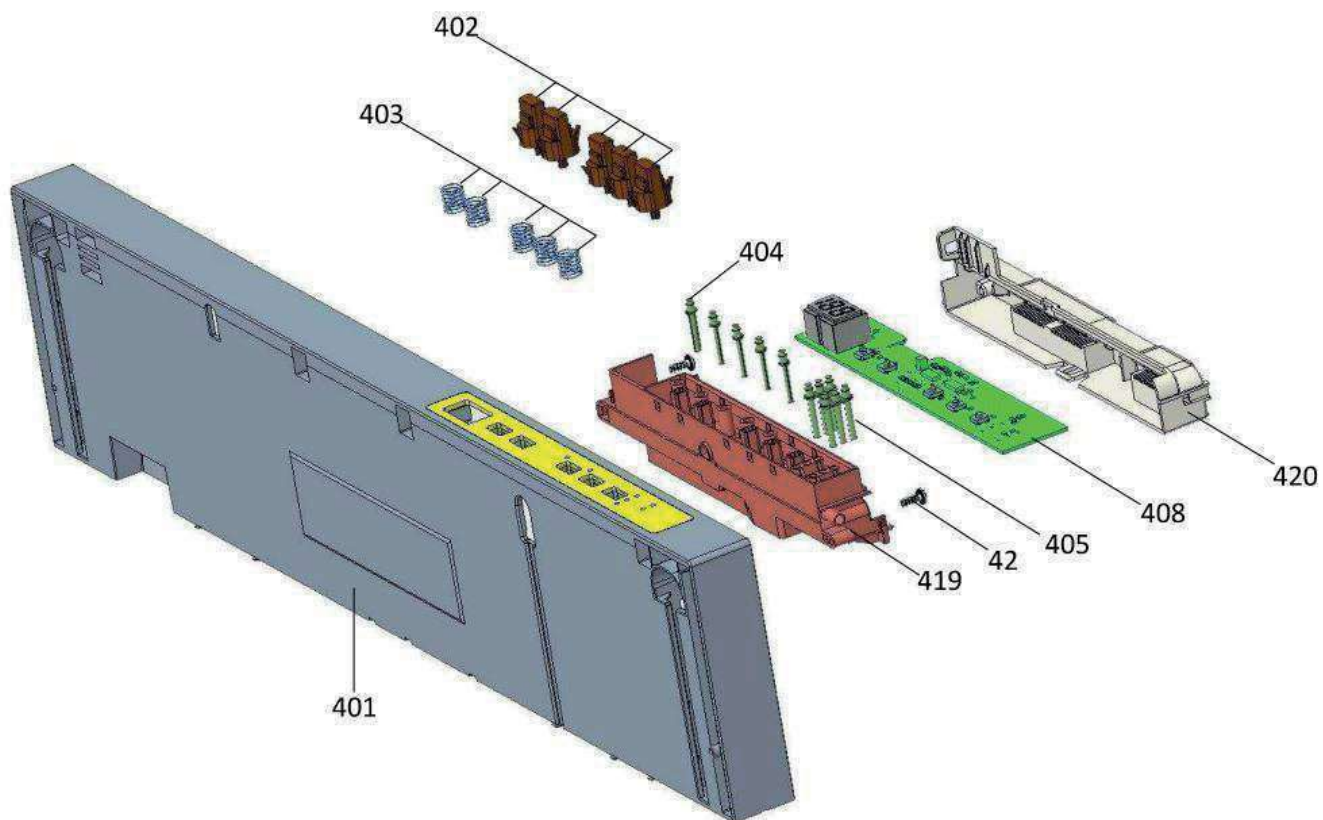
Lave-vaisselle / Dishwasher  
MFD422

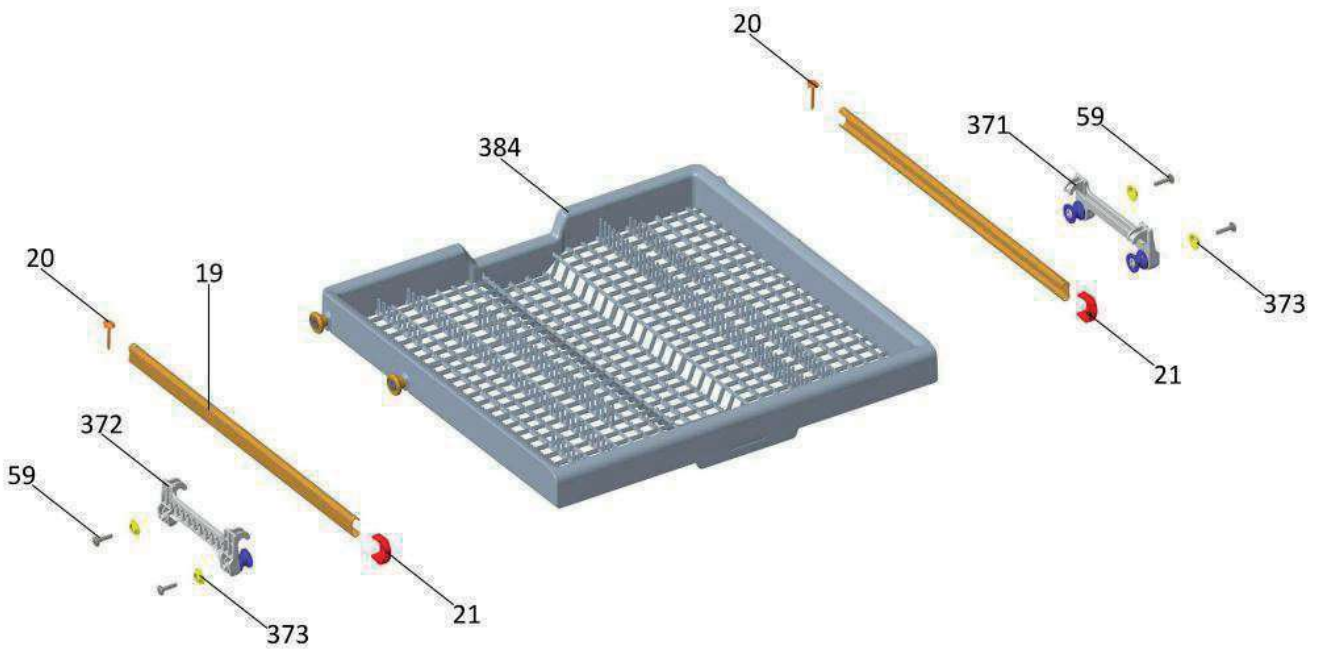
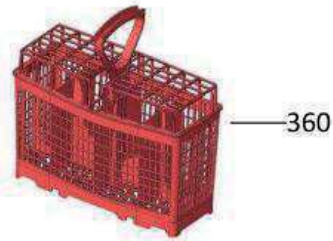
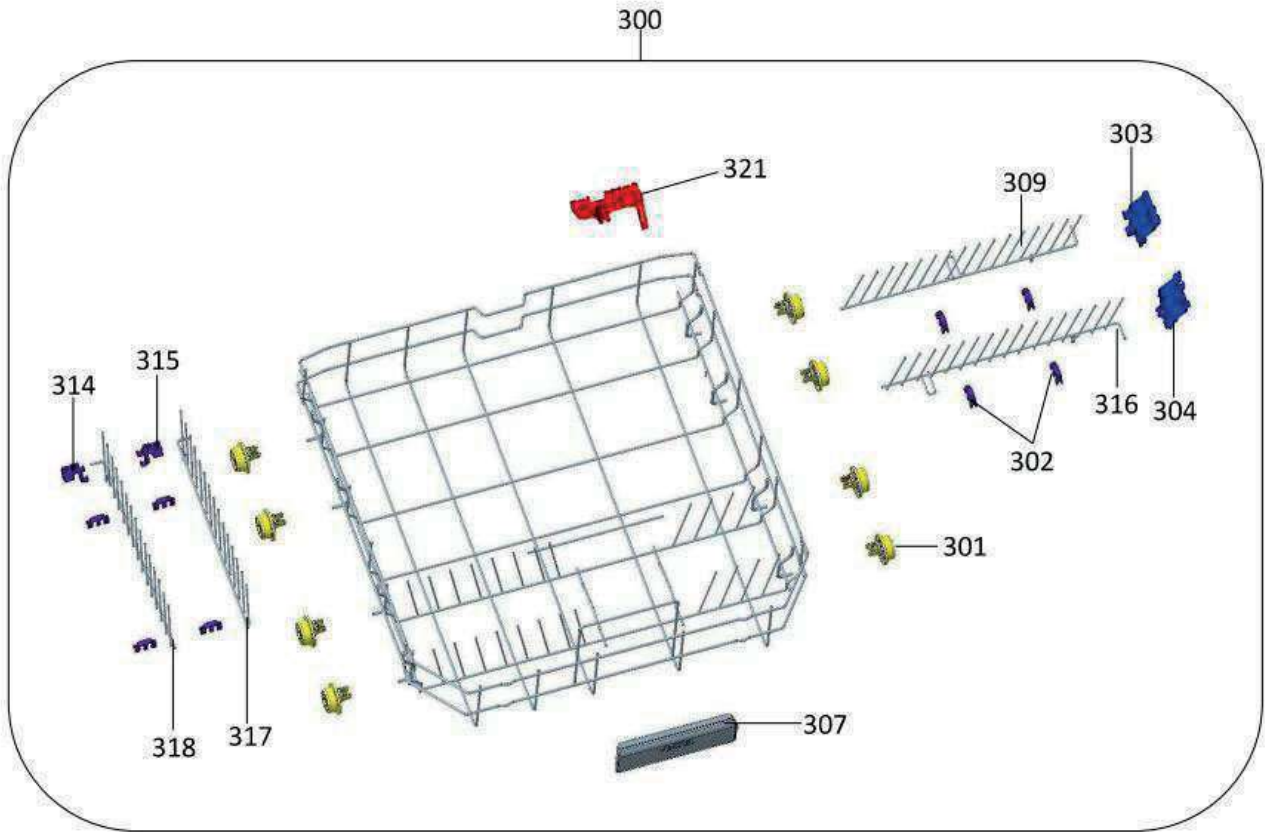


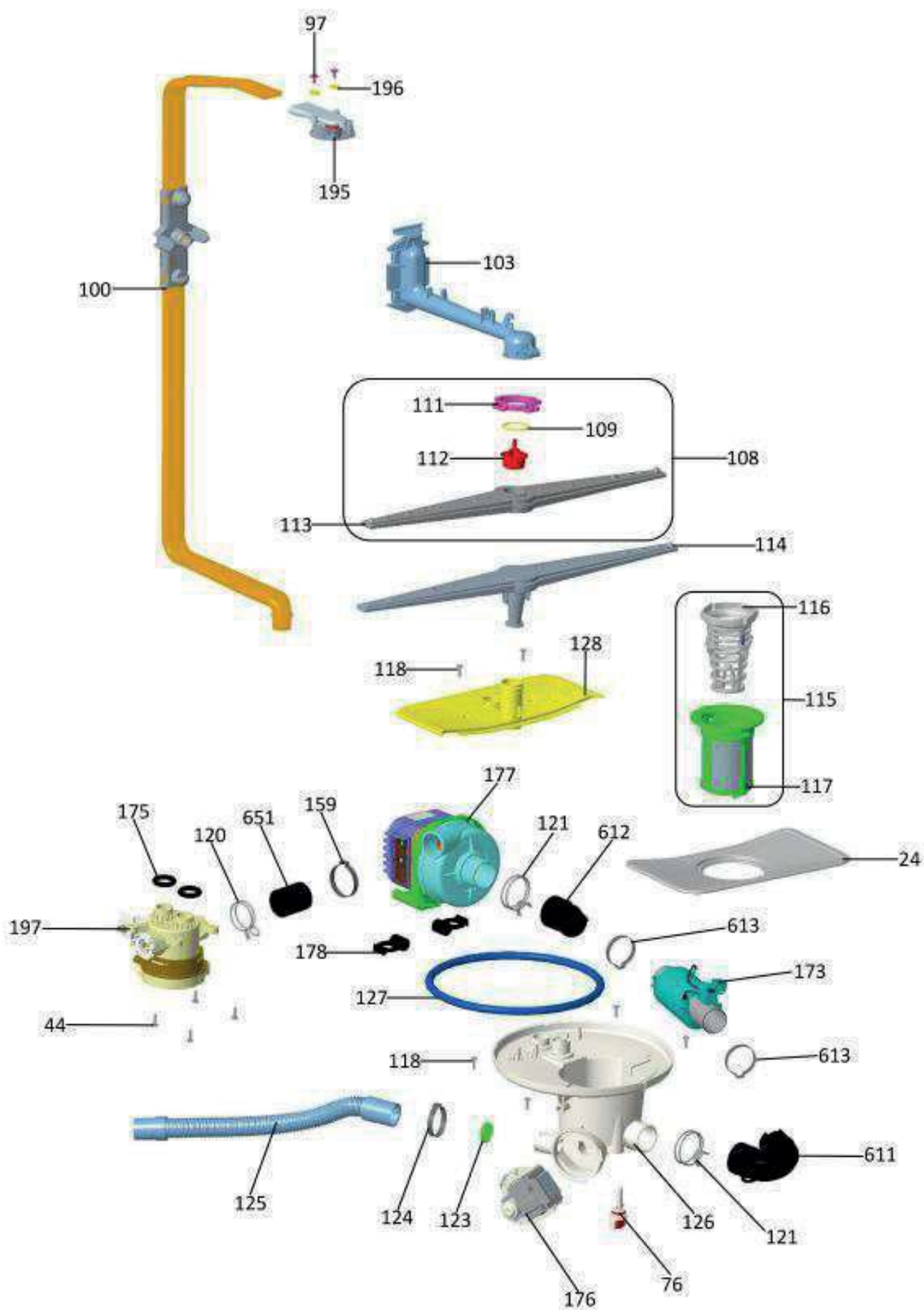
**Vue éclatée / Exploded view**

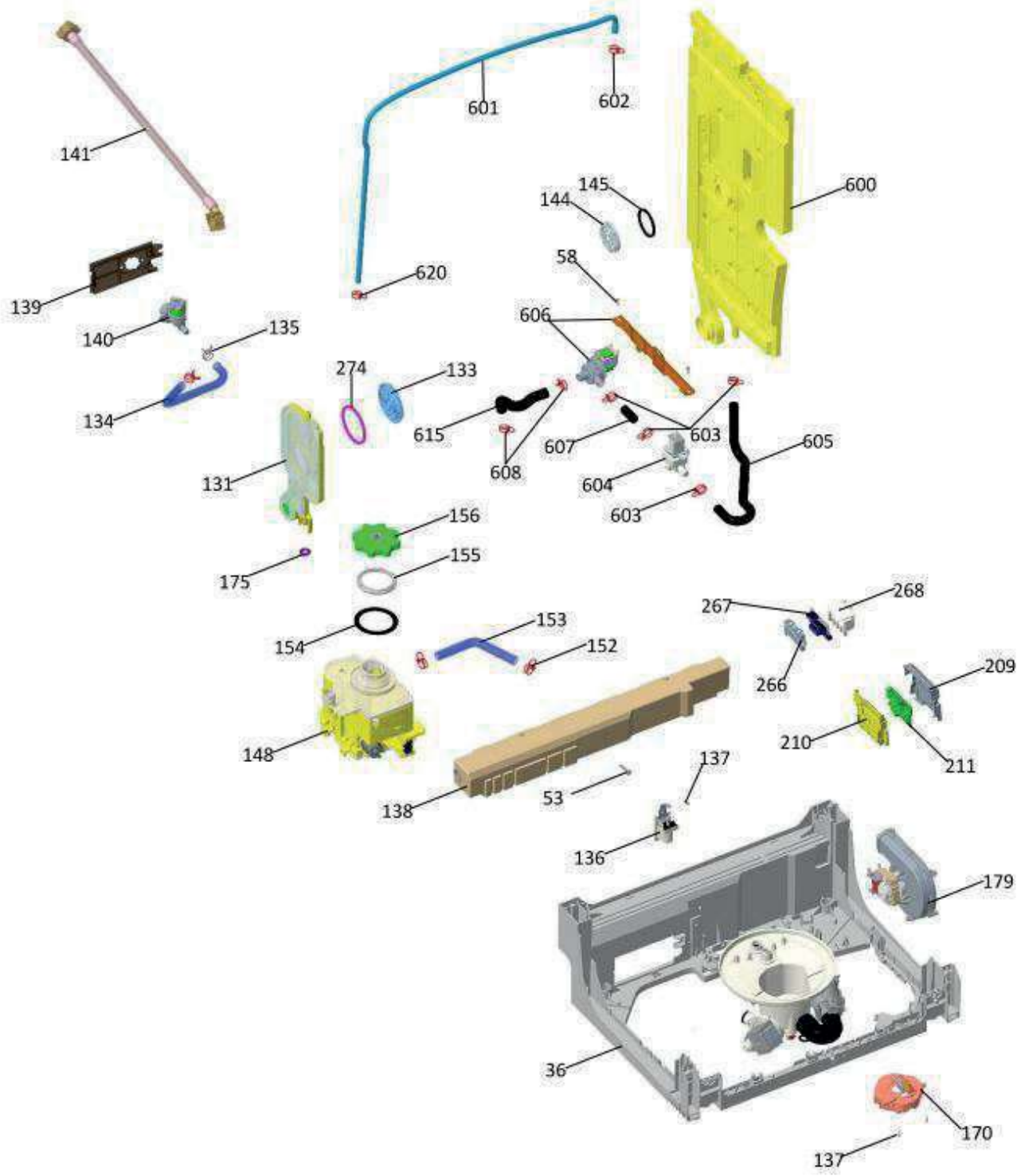
8010834

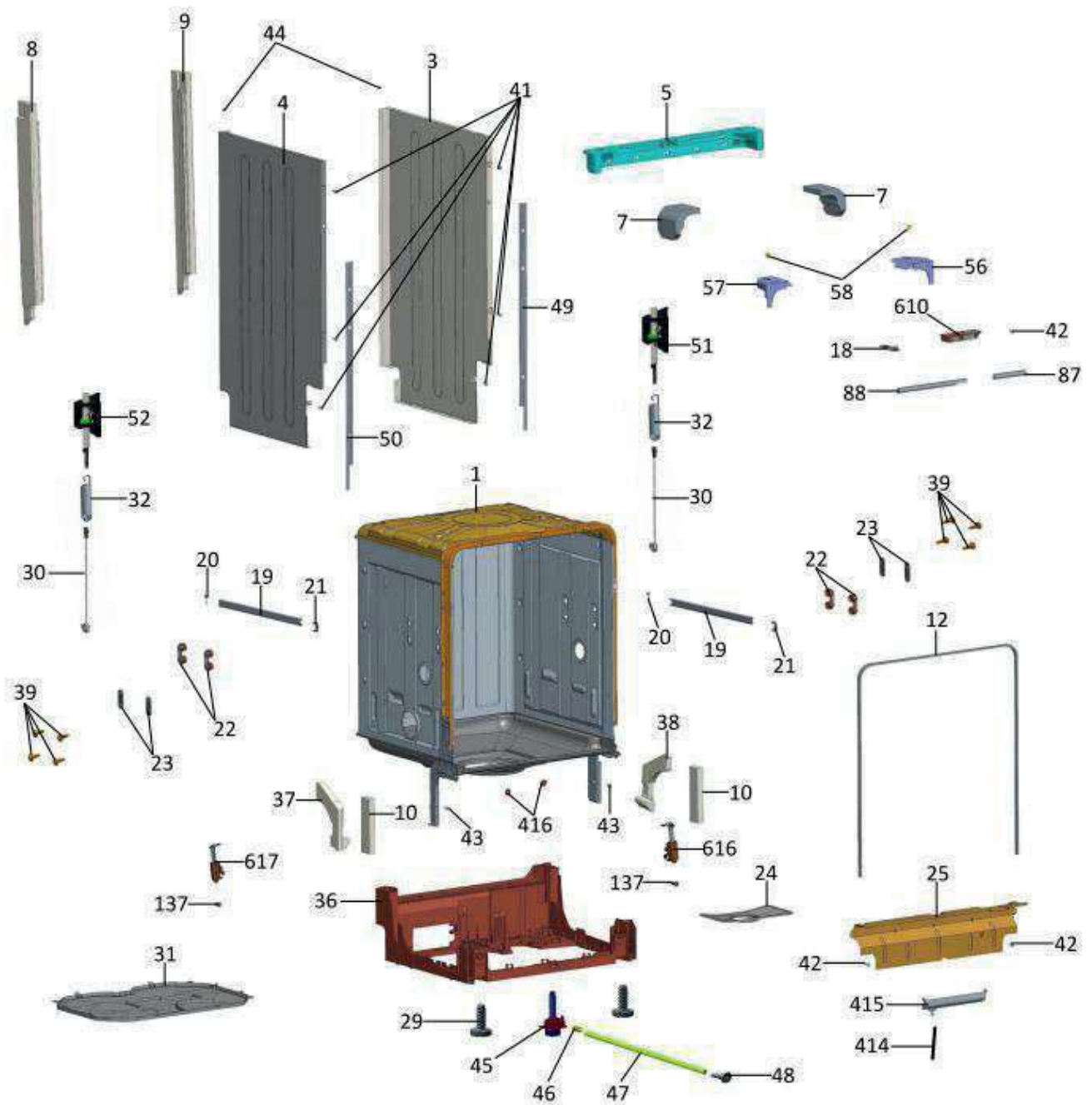
# Vue éclatée / Exploded view

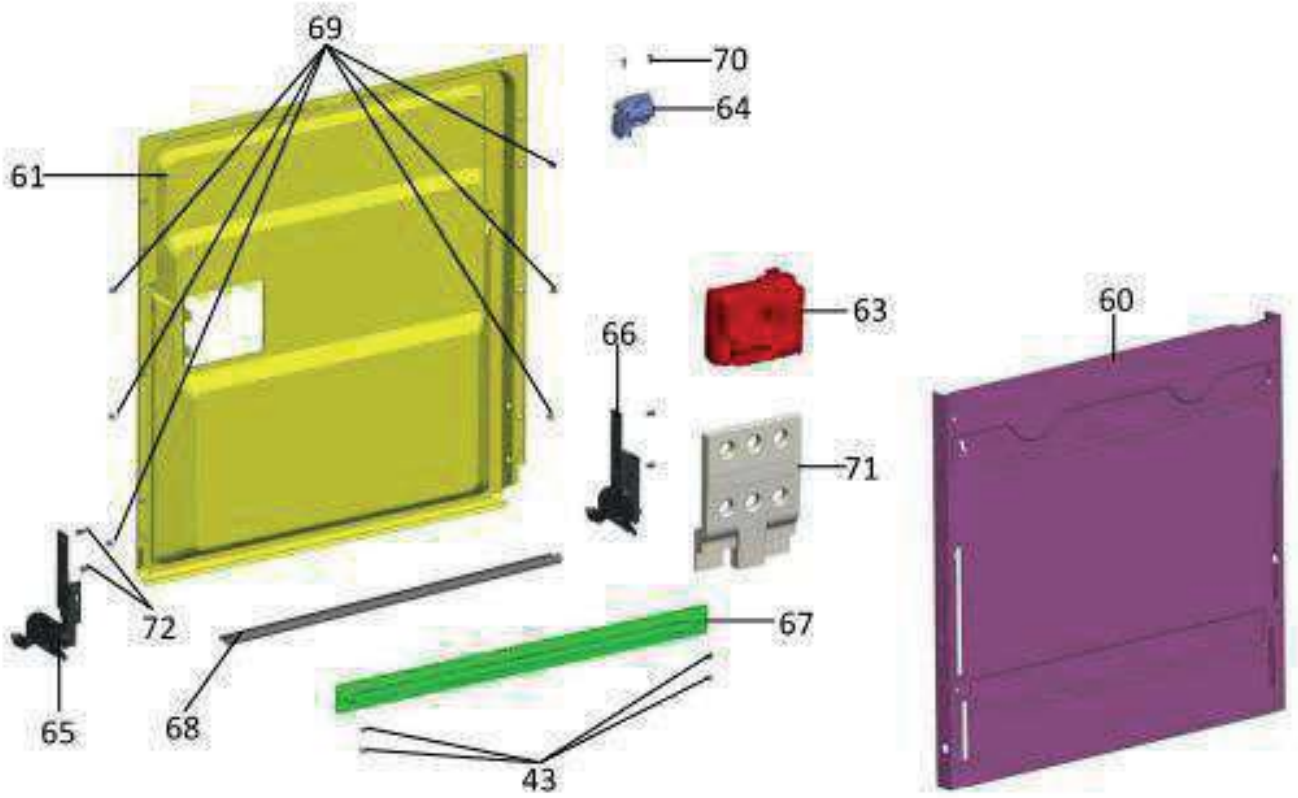












# Liste des pièces détachées / Spare parts list

N° VUE	REF PIECE	DESIGNATION (FR)	DESIGNATION (ENG)
1	22102766	CUVE	TUB GROUP
2	42135117	COUVERCLE SUPERIEUR	TOP COVER PP/OKAM
3	20660414	PANNEAU DROIT	SPS BUILT IN-RIGHT/PNTD
4	20660415	PANNEAU GAUCHE	SPS BUILT IN-LEFT/PNTD
5	42005867	TRAVERSE ARRIERE SUPERIEURE	REAR UPPER PLS.CROSS BAR
7	52010619	RENFORT CENTRAL SUPERIEUR DROIT OU GAUCHE	TUB TOP CORNER STYROFOAM
8	52314861	BARRE TRANSVERSALE ARRIERE GAUCHE	BACK CROSS BAR STYROFOAM-LEFT
9	52314850	BARRE TRANSVERSALE ARRIERE DROIT	BACK CROSS BAR STYROFOAM-RIGHT
10	52385506	BARRE TRANSVERSALE AVANT	KESME ÖN CROSSBAR STRAFORU/NEW
12	42289425	JOINT TOUR DE PORTE	TUB GASKET-5 SOFT/60
18	42119852	CROCHET DE PORTE	DOOR HOOK/PLASTIC
19	20797564	RAIL PANIER SUPERIEUR (458*0,8*50)	UPPER BASKET RAIL(458*0,8*50)
20	42021919	BUTEE ARRIERE PANIER SUPERIEUR	UPPER BASKET STOPPER-REAR-RAL 7046
21	42137271	BUTEE AVANT RAIL SUPERIEUR	UPPER BASKET RAIL LOCK-FRONT-2
22	42156306	ROUE RAIL PANIER SUPERIEUR	UPPER BASKET RAIL CON.BRA.GR-3
23	42157273	SUPPORT ROUE RAIL PANIER SUPERIEUR	UPPER BASKET RAIL CON.BRA -REAR
24	37027225	FILTRE METAL	METAL FILTER-2
25	20634456	PLAQUE DE PROTECTION 600*0,5*234	KICK PLATE(60) 600*0,5*234
29	42022087	PIED (PAS DE VIS) 113MM*18MM	BUILT IN FOOT
30	47018037	CORDON FREIN DE PORTE	HINGE CORD GR-2
31	42171013	COUVERCLE INFERIEUR	LOWER COVER/YH
32	37008664	RESSORT DE PORTE	HINGE SPRING(ORANGE)
33	42107473	POULIE CHARNIERE	HINGE PULLEY-3
36	42259417	SOCLE	BASEMENT/INT-14
37	52276875	COIN INFERIEUR GAUCHE (CUVE)	TUB LOWER CORNER STYROFOAM-LEFT
38	52276874	COIN INFERIEUR DROIT (CUVE)	TUB LOWER CORNER STYROFOAM-RIGHT
39	37035913	VIS PT5X20 TORX	SCREW PT5X20 TORX WITH RONDELA/GEOMET
41	37018398	VIS ST 3.9X9.5	SCREW ST 3.9X9.5 PAN HEAD (S)
42	37006201	VIS PT3,5X9 YSB	SCREW PT3,5X9 YSB
43	37008662	VIS M4X10 YSB	SCREW M4X10 YSB SPIRAL
44	37006212	VIS PT 4X12 YSB	SCREWPT 4X12 YSB
45	42026019	MECANISME REGLAGE HAUTEUR	BUILT IN ADJUSTMENT MECHANISM
46	42022086	VIS ARRIERE MECANISME REGLAGE	BUILT IN WORM GEAR
47	37007417	AXE VIS MECANISME REGLAGE	BUILT-IN HEIGHT MEC.AXLE
48	42022085	VIS	BUILT IN ADJUSTMENT MEC.FRONT COVER
49	42045622	JOINT DROIT GRIS	TUB BORDER GASKET-RIGHT/GREY
50	42045623	JOINT GAUCHE GRIS	TUB BORDER GASKET-LEFT/GRI
51	42028223	MECANISME DROIT COMPENSATION PORTE	BUILT IN HINGE SPRING ADJUSTEMENT GR-R/6
52	42028224	MECANISME GAUCHE COMPENSATION PORTE	BUILT IN HINGE SPRING ADJUSTEMENT GR-L/6
56	42094889	SUPPORT SUPERIEUR DROIT	UPPER TRAY SUPPORT PART/RIGHT/NEW
57	42094890	SUPPORT SUPERIEUR GAUCHE	UPPER TRAY SUPPORT PART/LEFT/NEW
58	37023688	VIS TT M4*6 YSB-T-F	SCREW TT M4*6 YSB-T-F
59	37047503	VIS PT5X13 TORX	SCREW PT5X13 TORX WITH RONDELA
60	20641431	PORTE EXTERIEURE BLANC	FRONT PANEL-7(A527)PR/WHITE
61	22041293	ENSEMBLE CONTRE PORTE	INNER DOOR-YD ASSEMBLY-2
63	42173012	BOITE A PRODUITS	SLIDE DISPANSER WITH
64	32037542	FERMETURE DE PORTE	DOOR LOCK-2/USA
65	37024917	CHARNIERE MOBILE GAUCHE	HINGE MOV. PART 2-LEFT/COA190*2,5*90/HOT
66	37024916	CHARNIERE MOBILE DROITE	HINGE MOV. PART2-RIGHT/COA190*2,5*90/HOT
67	22329847	SUPPORT DE CHARNIERE	HINGE PART BRACKET 548 (60)600*0,5*45
68	42064225	JOINT BAS DE PORTE 545MM	DOOR SEAL-1 545MM
69	37006339	VIS 3,9X12 YHB INOX	SCREW SAC 3,9X12 YHB INOX
70	37006340	VIS PT4X12 YHB INOX	SCREW PT4X12 YHB INOX
72	37021716	VIS M5X10THB	SCREW M5X10THB ELF THREADING METRIC
76	32013802	SONDE	NTC/SLIM SENSOR
79	42192941	SONDE DE TURBIDITE	TURBIDITY SENSOR

87	42135119	JOINT SUPERIEUR DROIT	TOP TUB OF GASKET/R/OKAM
88	42135120	JOINT SUPERIEUR GAUCHE	TOP TUB OF GASKET/L/OKAM
89	42265165	SOCLE	BASEMENT GR/ANKASTRE-14/YH
94	32029268	ELECTROVANNE	WATER INLET VALVE GR/FT
97	37030164	VIS PT4X7	SCREW PT4X7 PAN HEAD COLLER CROSS INOX
100	42215890	ALIMENTATION BRAS DE PULVERISATION SUPERIEUR	UPPER SPRAY ARM FEEDING CAN-C1 GR/PRV/N/Y
103	42215978	SUPPORT BRAS DE PULVERISATION SUPERIEUR	UPPER SPRAY ARM SUPPORT GROUP PEG/3 YAM
108	42153409	BRAS DE LAVAGE SUPERIEUR	UPPER SPRAY ARM GR-RAL 7046/2
109	42005910	JOINT BRAS SUPERIEUR/SUPPORT	UPPER SPRAY ARM NUT PLS D28XT1,2
111	42021093	ECROU AXE BRAS SUPERIEUR	UPPER SPRAY ARM NUT-RAL 7046
112	42131797	DOUILLE SUPPORT BRAS SUPERIEUR (SANS JOINT)	UPPER SPRAY ARM SHAFT WITHOUT O-RING
113	42151584	BRAS DE LAVAGE SUPERIEUR	UPPER SPRAY ARM-RAL 7046/2
114	42151581	BRAS INFERIEUR	LOWER SPRAY ARM-RAL 7046/2
115	42035214	FILTRE COMPLET	*MICROFILTER GR-PLYSTR/RAL 7046
116	42021086	TAMIS GROS GRAIN	COURSE FILTER-RAL 7046
117	42035215	MICROFILTRE SEUL	MICROFILTER-POLYESTER/RAL 7046
118	37006363	VIS PT4X12 YSB INOX	SCREW PT4X12 YSB INOX
120	37006205	COLLIER DURITE (MOTEUR/RESISTANCE) Ø31MM	CLAMP (MOTOR/HEATER) Ø31MM
121	37006204	COLLIER DURITE (MOTEUR/BOL) Ø41MM*14,8MM	CLAMP (MOTOR/BOWL) Ø41MM*14,8MM
123	42008732	CLAPET ANTI-RETOUR	CHECK VALVE
124	37012308	COLLIER OTK310	HOSE HANDCUFFS D30
125	42005936	TUYAU DE VIDANGE 200CM	DRAIN HOSE 200CM
126	42172937	PUISARD	SUMP/60/FT/SGK
127	42005959	JOINT PUISARD	SUMP SEAL
128	42237784	SUPPORT BRAS INFERIEUR	LOWER SPRAY ARM SUPPORT/4 SCREW
131	42153776	REPARTITEUR D'EAU + DEBIMETRE	COMPACT AIR BREAK GR
133	42020657	ECROU REPARTITEUR D'EAU	AIR BREAK NUT RAL-7046
134	42149559	TUBE DE LIAISON D9,5*3*250	HOSE D9,5*3*250 PVC/WITH CORD
135	37001625	COLLIER DURITE Dmax16,8x8,4 (REPARTITEUR D'EAU)	CLAMP Dmax16,8x8,4
136	32043754	FILTRE ANTIPARASITES	NOISE FILTER/RLC-2 YUNLU
137	37006787	VIS PT3X9 YSB	SCREW PT3X9 YSB
139	42008681	SUPPORT ELECTROVANNE	VALVE INLET SUPPORT
140	32035069	ELECTROVANNE 1VOIE	WATER INLET VALVE
141	42005932	TUYAU D'ARRIVEE EAU 1,6M	WATER INLET HOSE GR/COLD 1,6M
144	42051789	ECROU BAC CONDENSEUR	ACTIVE/CONDENSER UNIT NUT-1-RAL 7046
145	42017253	JOINT BAC CONDENSEUR	ACTIVE/CONDENSATION UNIT SEAL
148	42134284	BAC A SEL COMPLET	COMPACT WATER SOFTENER GR.WITH REED RELA
152	37002755	COLLIER Dmax19,6X8,8	CLAMP Dmax19,6X8,8
153	42034694	TUYAU D12*3*160	HOSE D12*3*160 PVC WITHOUT CORD
154	42008725	JOINT BAC A SEL	WATER SOFTENER NUT GASKET
155	42020656	ECROU BAC A SEL	WATER SOFTENER NUT RAL-7046
156	42134326	BOUCHON BAC A SEL	COMPACT SALT CAP GR
159	37016897	COLLIER DE SERRAGE D37	HOSE HANDCUFFS D37
161	32036141	MODULE LEDS	ELEK.CARD LED BMAVD02-01/DC/ICM
162	42158132	SUPPORT MODULE LEDS	LED MODUL BODY
163	42170043	COUVERCLE MODULE LEDS	LED MODÜL COVER GR
165	42162353	JOINT MODULE LEDS	LED MODÜL CONTA
170	32031018	FLOTTEUR SECURITE DEBORDEMENT	FLOATER-GR/WITH TWO SCREWS/FT
171	32051414	FAISCEAU DE CABLES	CABLE HARNESS-BLRÖ/I25/I12
172	32054238	CORDON SECTEUR	POWER CABLE/GREY
173	32033150	RESISTANCE 1800W-230V Ø 32MM	HEATER CAS FLOW THROUGH/HEATWELL 1800W
175	42139199	JOINT REPARTITEUR/BLOC HYDRAULIQUE	HEATER CASING SEAL
176	32026853	POMPE DE VIDANGE BPX269L LEILI	DRAIN PUMP LEILI
177	32033120	POMPE DE CYCLAGE	BLDC WASHING PUMP/AWECO
178	42008724	SUPPORT POMPE DE CYCLAGE	WASHING PUMP VINE SUPPORT
179	42197118	MOTEUR VENTILATEUR GR/12MM	TURBO FAN MOTOR GR/12 MM
195	42067892	TURBINE BRAS SUPERIEUR	IMPELLER GR
196	42067893	JOINT ETANCHEITE	TOP TUB RUBBER
197	32030462	SOUPAPE DIVERTER AVEC MICRO MOTEUR	DIVERTER/FT/45/FT/TURBIDITY
199	42172441	SONDE DE TURBIDITE	SUMP GR/60/FT/DIV-SENSÖRLÜ-SGK
210	42166930	SUPPORT PLATINE ARRIERE	PCB BOX REAR COVER-NH
211	22249773	CARTE ELECTRONIQUE VI25	ELEC.CARD LABEL VI25
211	32039252	CARTE ELECTRONIQUE VE6	ELEK.KART VE6/20BM05/R41L/23598433
266	42203284	BOITE CARTE RELAIS	BLDC RELAY BOARD BOX
267	32037996	MODULE ELECTRONIQUE BLDC	ELEC.CARD BLDC RÖLE/20BM12-E/23551482
268	42203287	COUVERCLE CARTE RELAIS	BLDC RELAY BOARD COVER

286	37029759	VIS PT3,5X25 YSB	SCREW PT3,5X25 YSB
290	52275861	SUPPORT DE COIN ARRIERE DROIT	REAR CORNER SUPPORT SYTROFOAM-RIGHT
300	37031674	PANIER INFERIEUR	LOWERBASKET GR-DSN T.LI/INOX/15(AVP)
301	42052035	ROUE PANIER INFERIEUR	LOWER BASKET WHEEL GR-2-RAL 7046
302	42021078	CLIP FIXATION CLAYETTE PANIER INFERIEUR	FOLDABLE COMBS HOLDER PLS-RAL 7046
303	42021904	SUPPORT DROIT	FOLDING SPIKES MECHANISM-RIGHT RAL 7046
304	42021077	SUPPORT GAUCHE	FOLDING SPIKES MECHANISM-LEFT RAL 7046
309	37012907	CLAYETTE RABATTABLE AVANT DROITE PANIER INFERIEUR	FOLDDOWN COMB-RIGHT-BACK-R7452/15K
314	42046132	ARRETOIR GAUCHE	PER FOLDING SPIKES MECH-LEFT RAL 7046
315	42046133	ARRETOIR DROIT	PER FOLDING SPIKES MECH-RIGHT RAL 7046
316	37012906	CLAYETTE RABATTABLE ARRIERE DROITE PANIER INFERIEUR	FOLDDOWN COMB-RIGHT-FRNT-R7452/15K
317	37012908	CLAYETTE VERTICALE AVANT DROIT PANIER INFERIEUR	FOLDDOWN COMB-PER-RIGHT-FRNT-R7452/15K
318	37012909	CLAYETTE VERTICALE AVANT GAUCHE PANIER INFERIEUR	FOLDDOWN COMB-PER-LEFT-FRNT-R7452/15K
321	42187147	ARRET PANIER INFERIEUR	LOWER BASKET STOPPER
350	37046983	ASSEMBLAGE DU PANIER SUPERIEUR	UPPER BASKET ASSEMBLY
351	42154959	ETAGERE A TASSES	MUG SHELVE-4
352	42160170	SUPPORT TASSES PANIER SUPERIEUR	UPPER BASKET MUGSHALF GR-TPE
355	42067771	POIGNEE SUPERIEURE DU PANAIER	UPPER BASKET HANDLE
360	42211570	PANIER A COUVERTS UNIVERSEL	UNIVERSAL CUTLERY GR-2/GREY
361	37031914	SUPPORT PLIABLE AVANT DROIT	FOLDING SPIKES-RIGHT FRONT/V1
362	37031901	SUPPORT DROIT	FOLDING SPIKES-RIGHT BACK/V1-V2
363	37031915	POINTES REPLIABLES (MILIEU AVANT)	FOLDING SPIKES-MIDDLE FRONT V1
364	37031904	POINTES REPLIABLES (AVANT GAUCHE)	FOLDING SPIKES-LEFT FRONT V1-V2
365	42058863	MECANISME (POINTES REPLIABLES)-1	FOLDING SPIKES MECHANISM-1
366	42058866	MECANISME (POINTES REPLIABLES)-1	FOLDING SPIKES MECHANISM-2
369	42166707	MECANISME (POINTES REPLIABLES)-3	FOLDING SPIKES MECHANISM-3
371	42195987	SUPPORT DROIT	3.BASKET BRACKET GR-RIGHT
372	42195988	SUPPORT GAUCHE	3.BASKET BRACKET GR-LEFT
373	37016714	RONDELLE SUPPORT PANIER	3.BASKET BRACKET WASHER
376	42207221	SUPPORT A ROULETTE DROIT (PANIER)	HAM GR-RIGHT/3KDM-BLUE
377	42207225	SUPPORT A ROULETTE GAUCHE (PANIER)	HAM GR-LEFT/3KDM-BLUE
384	42213317	PANIER SUPERIEUR A COUVERTS	3.BASKET ECO BASKET SHELF GRUP-2
401	42348117	BANDEAU SERIGRAPHIE MIOGO	CON.PAN.SGF/RI25/MIOGO(MDF422)
402	42207435	BOUTONS	ELEC. BUTTON/RHEA/NEW DS BYL
403	37008893	RESSORT	CLICK SPRING
404	42026582	TRANSFERT 1 LAMPE	LIGHTGUIDE-1/RHEA
405	42026583	TRANSFERT 3 LAMPES	LIGHTGUIDE-3/RHEA
408	22342234	CARTE AFFICHAGE	DISPLAY CARD
414	42179643	TUYAU DE TROP PLEIN	OVERFLOW PLASTIC HOSE/PVC/UNSTRUNG
415	42114321	TROP PLEIN	OVERFLOW PLASTIC
416	42115451	JOINT DE TROP-PLEIN DE FOND DE CUVE	BOTTOM TUB OVERFLOW GASKET
419	42174460	SUPPORT CARTE D'AFFICHAGE	DISPLAY BOX/NH-D-I
420	42174471	COUVERCLE PROTECTION (AFFICHAGE)	DISPLAY BOX COVER/NH-D-I
500	52297465	KIT D'ENCASTREMENT	INTEGRATED TOOL GR/TAM ANK(60)/Y4N
502	47003240	FEUILLARD ADHESIF (ENCASTREMENT)	STEAM PREVENTER FOIL
506	37007672	CACHE VIS (ENCASTREMENT)	FITTING SCREW FOR WOOD
507	47007525	PROTECTION ISOLANTE (ENCASTREMENT)	WOOD STOPPER STICKER-2
508	37007674	VIS (ENCASTREMENT)	SCREW 4X42.5 FLAT HEAD CHIPBOARD
509	47004105	CACHE VIS (ENCASTREMENT)	SPRING ADJ.MEC.HOLE FLAP
510	37007673	VIS 4*15 (ENCASTREMENT)	SCREW 4X15 YHB
513	52301503	OUTIL	METAL TOOL GR BAG/Y4N
533	37046733	SUPPORT D'INSTALLATION	INSTALLATION BRACKET 4 POINT 0.7MM
600	42113313	RESERVOIR DE RECYCLAGE D'EAU	WATER RECYCLE TANK
601	42104511	TUYAU D9X1,25X900	HOSE PVC D9X1,25X900(SGK TANK-AIRBREAK
602	37021018	COLLIER Dmax13,1X7,3	CLAMP Dmax13,1X7,3Y.LI(SGK PVC HORTUM)
603	37021017	COLLIER Dmax18,7X9,6	CLAMP Dmax18,7X9,6Y.LI(SGK MOT-VALF-TANK
604	32022544	ELECTROVANNE BI-DIRECTIONNELLE	BI-DIRECTIONAL VALVE
605	42184665	TUYAU D13x2,25	HOSE F.LU D13x2,25(SGK VALF-TANK)/YH
606	32033964	POMPE DE RECUPERATION D'EAU ET METAL	WATER RECOVERY PUMP AND METAL/YH
607	42104480	TUYAU D13X2X37	HOSE D13X2X37(SGK MOTOR-VALF)
608	37021016	COLLIER Dmax 21,6X9,9	CLAMP Dmax 21,6X9,9Y.LI(SGK HAVUZ-MOT)
610	42289640	MECANISME (BARRE TRANSVERSALE)	OKAM-CROSSBAR MECHANISM GR/ALL
611	42158952	DURITE BAC HYDRAULIQUE/RESISTANCE	HOSE HEATER-SUMP/45
612	42159956	DURITE RESISTANCE /MOTEUR-FT/FT/45	HOSE BLDC HEATER-FT/FT/45
613	37026603	COLLIER DURITE D37 (RESISTANCE)	HOSE HANDCUFFS/FLOW THROUGH
615	42184664	TUYAU D15x2,5	HOSE F.LU D15x2,5/YH(SGK HAVUZ-MOTOR)/YH

616	42134754	MECANISME DE CHARNIERE DROIT	OKAM-HINGE MECHANISM GR-RIGHT/INT
617	42134755	MECANISME DE CHARNIERE GAUCHE	OKAM-HINGE MECHANISM GR-LEFT/INT
618	42124420	RESERVOIR RECUPERATION D'EAU	WATER RECOVERY TANK GR
619	42260500	POMPE DE RECUPERATION D'EAU	WATER RECOVERY PUMP GR/YH
620	37027036	COLLIER Dmax11,6x6,3	CLAMP Dmax11,6x6,3Y.LI(AIRB-SGK PVC HORT
651	42158956	DURITE	HOSE(BLDC-DIVIZÖR/FT)/45
800	42294482	INFO LED	INFO LED GR-2.1
801	42200748	BOITEIR LAMPE LED	LED LAMP HOUSING

Toutes les informations, dessins, croquis et images dans ce document relèvent de la propriété exclusive de SOURCING & CREATION. SOURCING & CREATION se réserve tous les droits relatifs à ses marques, créations et informations. Toute copie ou reproduction, par quelque moyen que ce soit, sera jugée et considérée comme une contrefaçon.

All information, designs, drawings and pictures in this document are the property of SOURCING & CREATION. SOURCING & CREATION reserves all rights to its brands, designs and information. Any copy and reproduction through any means shall be deemed and considered as counterfeiting.