

essentiel 

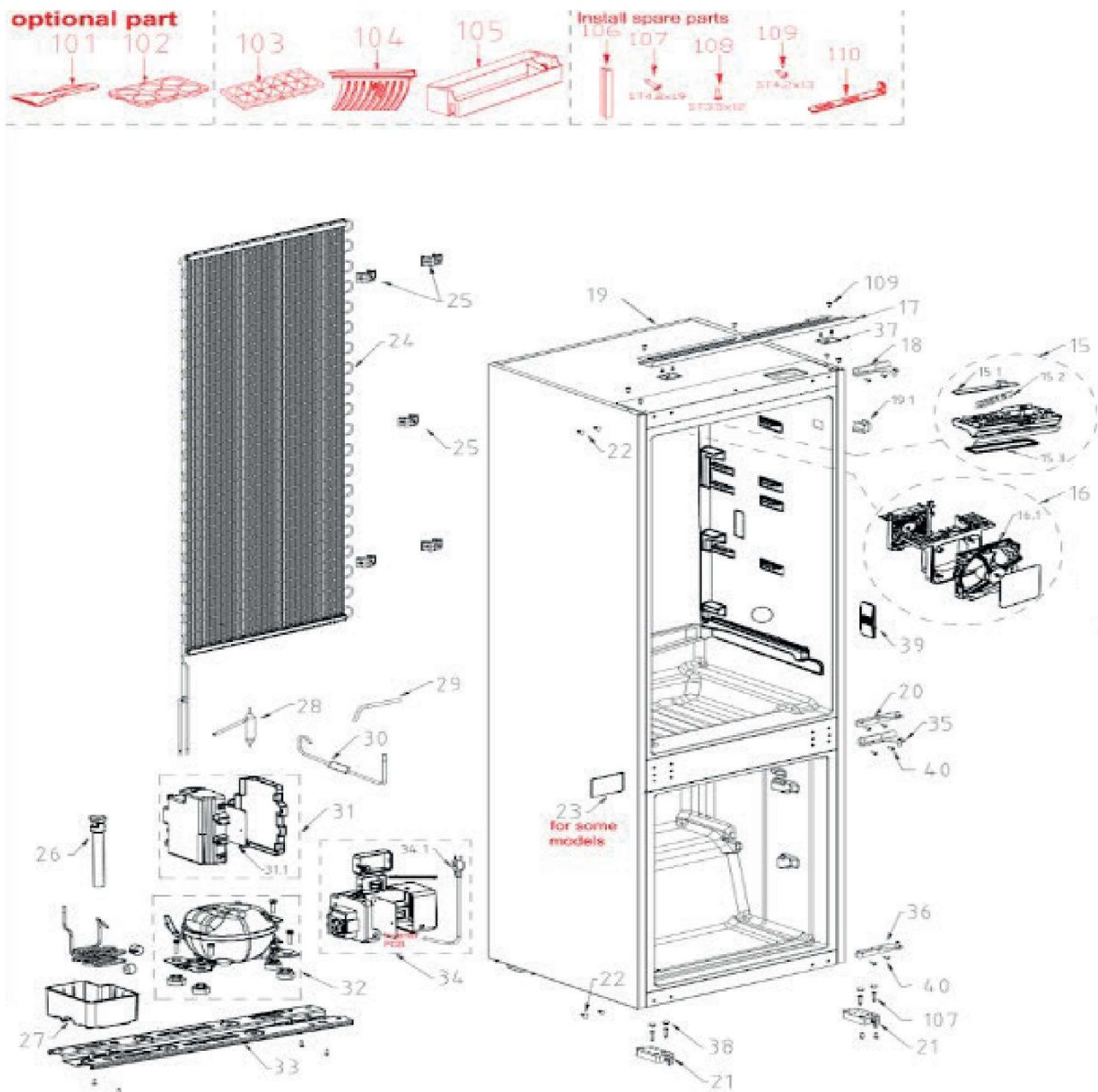
Réfrigérateur-congélateur-cave à vin /  
Refrigerator-freezer-wine cellar  
ERCVI180-55mib1

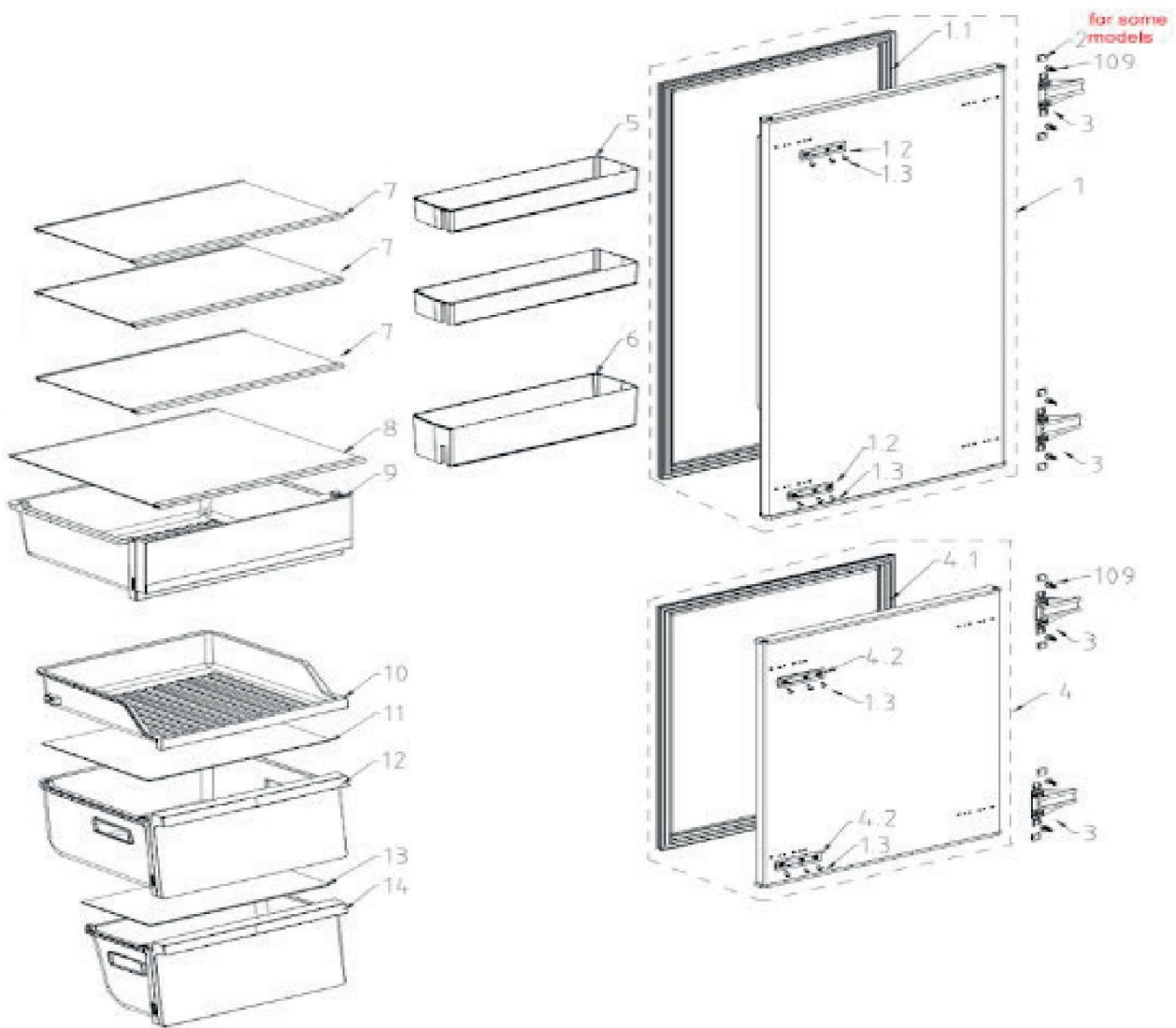


**Aide à la réparation / After-sales solutions**

8011064

# Vue éclatée / Exploded view





# Liste des pièces détachées / Spare parts list

N° VUE	REFERENCE	DESIGNATION (FR)	DESIGNATION (ENG)	CODE
1	9018746	PORTE (REFRIGERATEUR)	Refrigerator Door Assembly	1,2831E+13
1.1	9018747	JOINT (PORTE REFRIGERATEUR)	Door Gasket Assembly of Refrigerator	1,2131E+13
1.2	9018710	RAIL CENTRAL	Guide	1,2131E+13
1.3	9018711	VIS	Screw	1,13033E+13
3	9018748	CACHE	Plastic cover	1,2131E+13
4	9018749	PORTE (CONGELATEUR)	Freezer Door Assembly	1,2831E+13
4.1	9018750	JOINT (PORTE CONGELATEUR)	Door Gasket Assembly of Freezer	1,2131E+13
4.2	9018710	RAIL CENTRAL	Guide	1,2131E+13
5	9018713	BALCONNET-PETIT	R Small Tray	1,2131E+13
6	9018714	BALCONNET-GRAND	R large tray	1,2131E+13
7	9018717	CLAYETTE (REFRIGERATEUR)	Glass shelf assembly of refrigerator	1,2531E+13
8	9018751	CLAYETTE (REFRIGERATEUR)	Glass Shelf Assembly of Refrigerator	1,2531E+13
9	9018752	BAC A LEGUMES	Fruits and vegetables box component	1,2131E+13
10	9018753	CASIER	Storage Box	1,2131E+13
11	9018754	CLAYETTE VERRE	Glass Shelf	1,2531E+13
12	9018755	BAC CENTRAL	F middle drawer assembly)	1,2131E+13
13	9018756	CLAYETTE SUPERIEURE	Freezer Glass Shelf Assembly	1,2531E+13
14	9018757	BAC INFERIEUR	F bottom drawer assembly	1,2131E+13
15	9018758	BOITIER AVEC LAMPE LED	Lamp mounting box assembly	1,2131E+13
15.1	9018759	LAMPE LED	LED lamp	1,7431E+13
15.2	9018725	CARTE (AFFICHEUR)	Display control panel	1,7131E+13
15.3	9018760	COUVERCLE (LAMPE)	Lamp cover	1,2131E+13
16	9018761	VENTILATEUR AVEC MOTEUR	Mounting box assembly	1,2131E+13
16.1	9018762	MOTEUR (VENTILATEUR)	Brushless DC Motor	1,1002E+13
17	9018763	BUTEE (PORTE)	Limit Block	1,2231E+13
18	9018721	CHARNIERE SUPERIEURE	Upper Hinge Assembly	1,2231E+13
19.1	9007552	INTERRUPTEUR B157.0.1-1	Sector-shaped switch	1,7431E+13
20	9018743	CHARNIERE INFERIEURE	Lower Hinge Assembly	1,2231E+13
21	9018728	SUPPORT (CHARNIERE INFERIEURE)	Support Assembly	1,2131E+13
22	9007557	CACHE	Insert Pin	1,2131E+13
23	9018764	CACHE (VIS)	Screw Cover	1,2131E+13
24	9018765	EVAPORATEUR	Back Hanging Wire Tube Condensor	1,5731E+13
25	9018730	PLAQUE FIXATION (EVAPORATEUR)	Fixing Plate	1,2131E+13
26	9016807	TUYAU DRAINAGE	Drain Hose	1,2131E+13
27	9018737	BAC RECUPERATEUR	Drain tray	1,2131E+13
28	9016169	DESHYDRATEUR	Dry filter	1,5531E+13
29	9007561	TUBE CUIVRE	Processing tubes	1,5531E+13
30	9016571	TUBE RACCORDEMENT	Suction connection tube	1,5531E+13
31.1	9018766	CARTE CONTROLE	Main control board	1,7131E+13
32	9018767	COMPRESSEUR	DC Inverter Reciprocating Compressor	1,1101E+13
33	9018739	TRAVERSE (COMPRESSEUR)	Compressor mounting panel assembly	1,2231E+13
34	9018768	BANDEAU COMMANDE	Control panel assembly	1,7231E+13
34.1	9012873	CABLE ALIMENTATION	European standard power cord	1,7431E+13
35	9018721	CHARNIERE SUPERIEURE	Upper Hinge Assembly	1,2231E+13
36	9018743	CHARNIERE INFERIEURE	Lower Hinge Assembly	1,2231E+13
37	9018741	CACHE VIS (CHARNIERE SUPERIEURE)	Screw Cover	1,2131E+13
38	9018740	CACHE TROU (VIS)	Spout plug	1,2131E+13
39	9018726	COUVERCLE (SONDE)	Box cover	1,2131E+13
40	9018722	VIS TOLE	Screw	1,13011E+13
102	9012702	BAC A OEUFS	Egg tray	1,2131E+13
103	9012703	BAC A GLACONS	Ice box	1,2131E+13
106	9018769	BANDE ETANCHEITE	Sealing Strip	1,2631E+13
107	9018729	VIS M4X16 (POIGNEE PORTE)	Screw	1,13031E+13
109	9018742	VIS (PLAQUE FIXATION)	Screw	1,13031E+13
31	N/A	COMMANDER 31.1	ORDER 31.1	1,7231E+13

Toutes les informations, dessins, croquis et images dans ce document relèvent de la propriété exclusive de SOURCING & CREATION. SOURCING & CREATION se réserve tous les droits relatifs à ses marques, créations et informations. Toute copie ou reproduction, par quelque moyen que ce soit, sera jugée et considérée comme une contrefaçon.

All information, designs, drawings and pictures in this document are the property of SOURCING & CREATION. SOURCING & CREATION reserves all rights to its brands, designs and information. Any copy and reproduction through any means shall be deemed and considered as counterfeiting.