

essentiel 

Réfrigérateur / Refrigerator

ERCVI200-55miB1

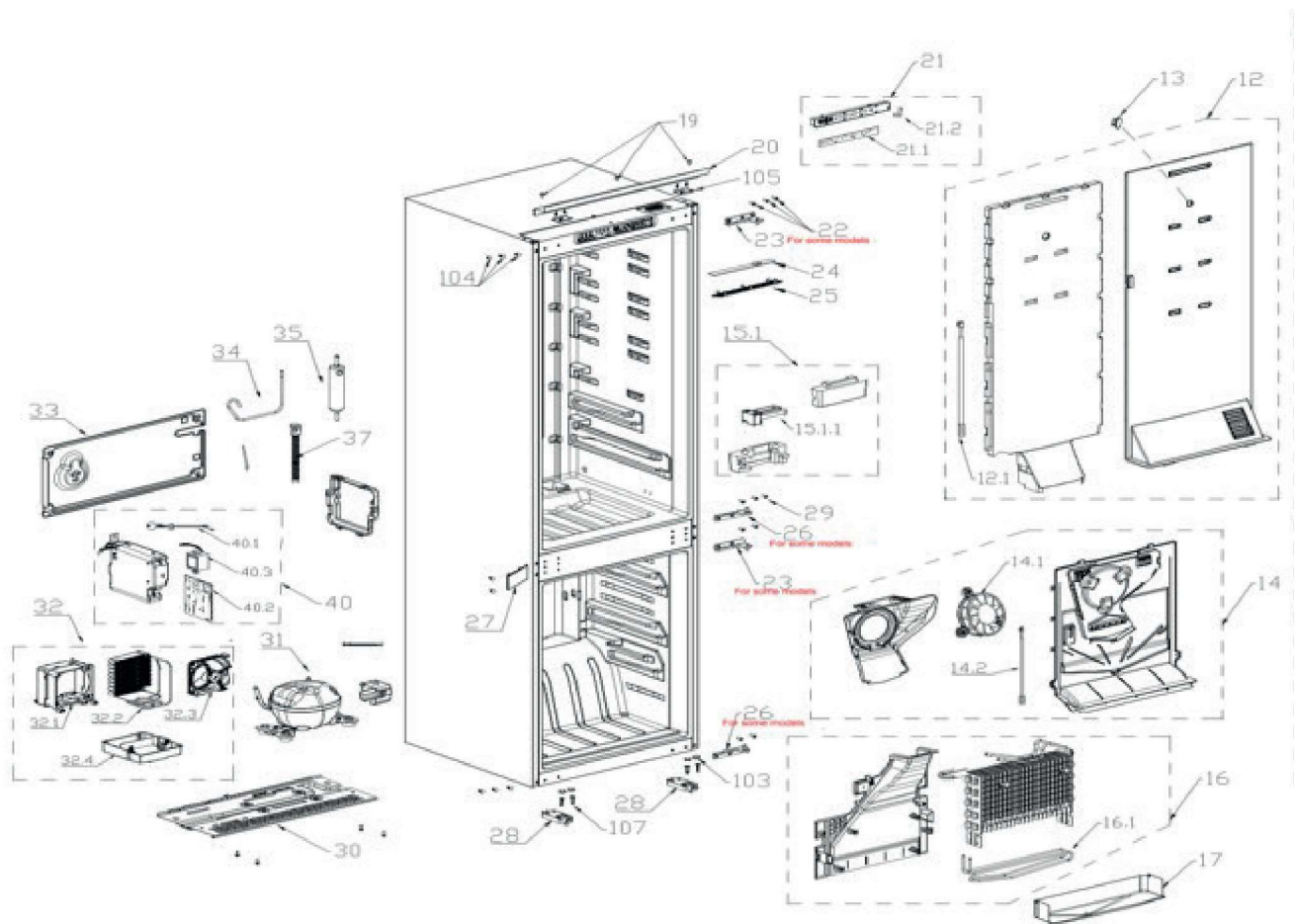


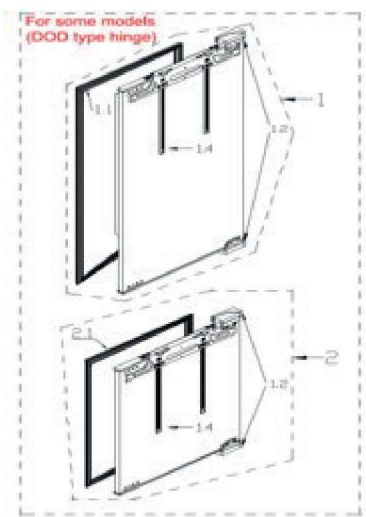
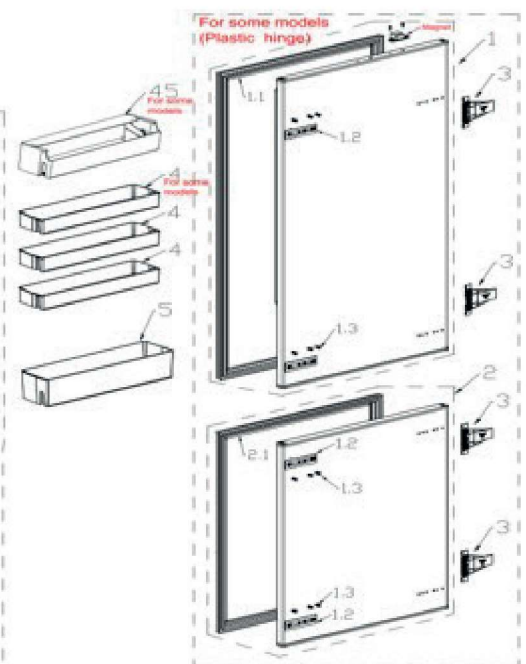
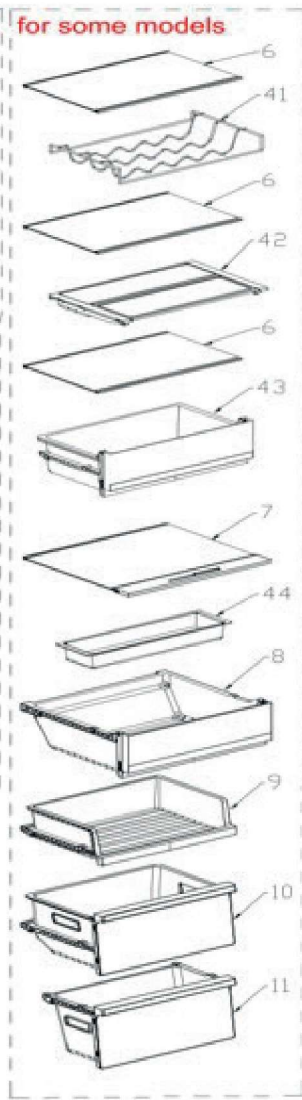
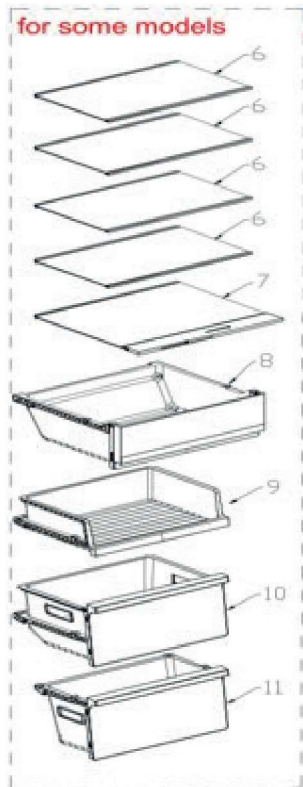
Vue éclatée / Exploded view

8011157

Vue éclatée / Exploded view

Optional part





Liste des pièces détachées / Spare parts list

N° VUE	REFERENCE	DESIGNATION (FR)	DESIGNATION (ENG)	CODE
1	9019250	PORTE (REFRIGERATEUR)	Refrigerator door assembly	12831000049263
1.1	9019251	JOINT (PORTE REFRIGERATEUR)	Door gasket assembly of refrigerator	12131000097369
1.2	9018710	RAIL CENTRAL	Guide	12131000036842
1.3	9018711	VIS	Screw	11303307000008
2	9019252	PORTE (CONGELATEUR)	Freezer door assembly	12831000049267
2.1	9019253	JOINT (PORTE CONGELATEUR)	Door gasket assembly of freezer	12131000097370
3	9018748	CACHE	Plastic cover	12131000083796
4	9018713	BALCONNET -PETIT	R Small Tray	12131000036189
5	9018772	BALCONNET -GRAND	R Large Tray	12131000036205
6	9019254	CLAYETTE (REFRIGERATEUR)	Glass Shelf Assembly of Refrigerator	12531000023184
7	9019255	CLAYETTE (BAC A LEGUMES)	Glass shelf assembly of refrigerator	12531000023164
8	9019256	BAC A LEGUMES	Fruits and vegetables box component	12131000097534
9	9019257	TIROIR SANS CLAPET	Drawer body	12131000097173
10	9019258	BAC SUPERIEUR (CONGELATEUR)	F Upper Drawer	12131000097524
11	9019259	BAC INFERIEUR (CONGELATEUR)	F Bottom Drawer	12131000097523
12	9019260	CONDUIT AIR (REFRIGERATEUR)	air duct assembly of refrigerator	12131000098148
12.1	9019261	SONDE TEMPERATURE	Temperature sensor	11201007006403
13	9016574	CACHE (VIS)	Screw Cover	12131000000597
14	9019262	CONDUIT AIR (CONGELATEUR)	Air duct assembly of freezer	12131000098147
14.1	9019263	MOTEUR (CONDUIT AIR CONGELATEUR)	Brushless DC Motor	11002015016752
14.2	9017513	SONDE (CONDUIT AIR CONGELATEUR)	Temperature Sensor	11201007000795
15	NR	NON REFERENCE	Cabinet assembly	12831000049705
15.1	9019264	CONDUIT AIR CENTRAL	Middle air duct assembly	12131000098084
15.1.1	9019265	CLAPET MOTORISE	Electric damper	17431000040532
16	9019266	EVAPORATEUR	Component supplying fin evaporator	15831000009163
16.1	9019267	RESISTANCE DEGIVRAGE	Defrost heater	17431000041131
17	9019268	BAC A EAU (EVAPORATEUR)	Drain tray	12231000054799
19	9018719	VIS M4X16 (POIGNEE PORTE)	Screw	11303126000010
20	9018763	BUTEE (PORTE)	Limit Block	12231000054548
21	NPR	COMMANDER 21.1 ou 21.2	ORDER 21.1 ou 21.2	12131000098086
21.1	9019269	BANDEAU COMMANDE	Display control panel	17131000023561
21.2	9018784	INTERRUPTEUR MAGNETIQUE	Magnetism switch	17431000009361
22	9018722	VIS TOLE	Screw	11301129000089
23	9018721	CHARNIERE SUPERIEURE	Upper Hinge Assembly	12231000055137
24	9016798	LAMPE LED SUPERIEURE	LED lamp	17431000009581
25	9016799	CACHE (LAMPE LED SUPERIEURE)	Lamp Cover	12131000087220
26	9018743	CHARNIERE INFERIEURE	Lower Hinge Assembly	12231000055120
27	9018764	CACHE (VIS)	Screw Cover	12131000036198
28	9018728	SUPPORT (CHARNIERE INFERIEURE)	Support Assembly	12131000097217
29	9018722	VIS TOLE	Screw	11301129000089
30	9019270	TRAVERSE (COMPRESSEUR)	Compressor mounting panel assembly	12231000054697
31	9019271	COMPRESSEUR DZ75Z1X-4QPL	DC Inverter Reciprocating Compressor DZ75Z1X-4QPL	11101020007665
32	NPR	COMMANDER 32.1 / 32.2 / 32.3 / 32.4	ORDER 32.1 / 32.2 / 32.3 / 32.4	12131000098131
32.1	9019272	BOITIER (CONDENSEUR)	Fixed base	12131000097227
32.2	9019273	CONDENSEUR FLUX PARALLELE	Parallel flow condenser	15731000009084
32.3	9019274	MOTEUR (CONDENSEUR)	Brushless DC Motor	11002015017576
32.4	9019275	BAC A EAU (CONDENSEUR)	Drain tray	12131000097228
33	9019276	CACHE (COMPRESSEUR)	Compressor back cover	12231000055119
34	9019277	TUBE CONNECTION	Suction connection tube	15531000013806
35	9016169	DESHYDRATEUR	Dry filter	15531000009186
37	9018732	TUYAU VIDANGE	Drain Hose	12131000005946
40	NPR	COMMANDER 40.1 / 40.2 / 40.3	ORDER 40.1 / 40.2 / 40.3	17231000003921
40.1	9012873	CABLE ALIMENTATION	European standard power cord	17431000033915
40.2	9019278	CARTE ALIMENTATION	Main control board	17131000023874

N° VUE	REFERENCE	DESIGNATION (FR)	DESIGNATION (ENG)	CODE
40.3	9019279	FILTRE EMI	Power filter	17431000041922
103	9018740	CACHE TROU (VIS)	Spout plug	12131000002904
104	9007557	CACHE	Insert Pin	12131000003005
105	9018741	CACHE VIS (CHARNIERE SUPERIEURE)	Screw Cover	12131000036201
106	9016050	VIS ST3.9X16-C	Screw ST3.9X16-C	11303125000575
107	9018729	VIS M4X16 (POIGNEE PORTE)	Screw	11303119000195
108	9018742	VIS (PLAQUE FIXATION)	Screw	11303119000193
109	9017772	VIS M5x10-F (TRAVERSE COMPRESSEUR) X1	Screw M5x10-F	11301132000354
110	9019280	BANDE ETANCHE	Sealing Strip	12631000007203
111	9012702	BAC A OEUFS	Egg tray	12131000006168

Toutes les informations, dessins, croquis et images dans ce document relèvent de la propriété exclusive de SOURCING & CREATION. SOURCING & CREATION se réserve tous les droits relatifs à ses marques, créations et informations. Toute copie ou reproduction, par quelque moyen que ce soit, sera jugée et considérée comme une contrefaçon.

All information, designs, drawings and pictures in this document are the property of SOURCING & CREATION. SOURCING & CREATION reserves all rights to its brands, designs and information. Any copy and reproduction through any means shall be deemed and considered as counterfeiting.