

essentiel 

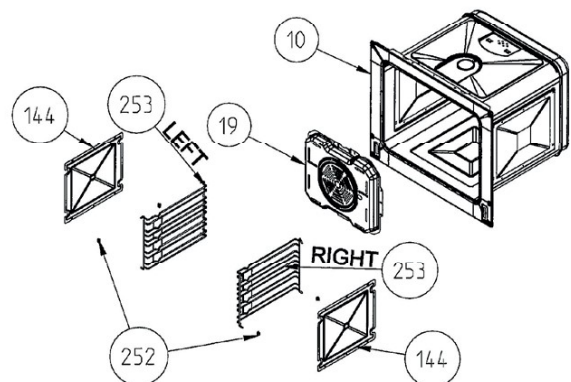
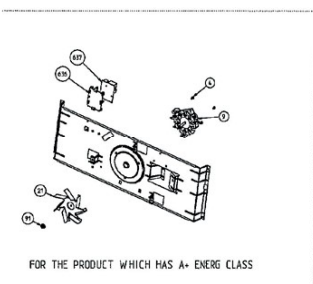
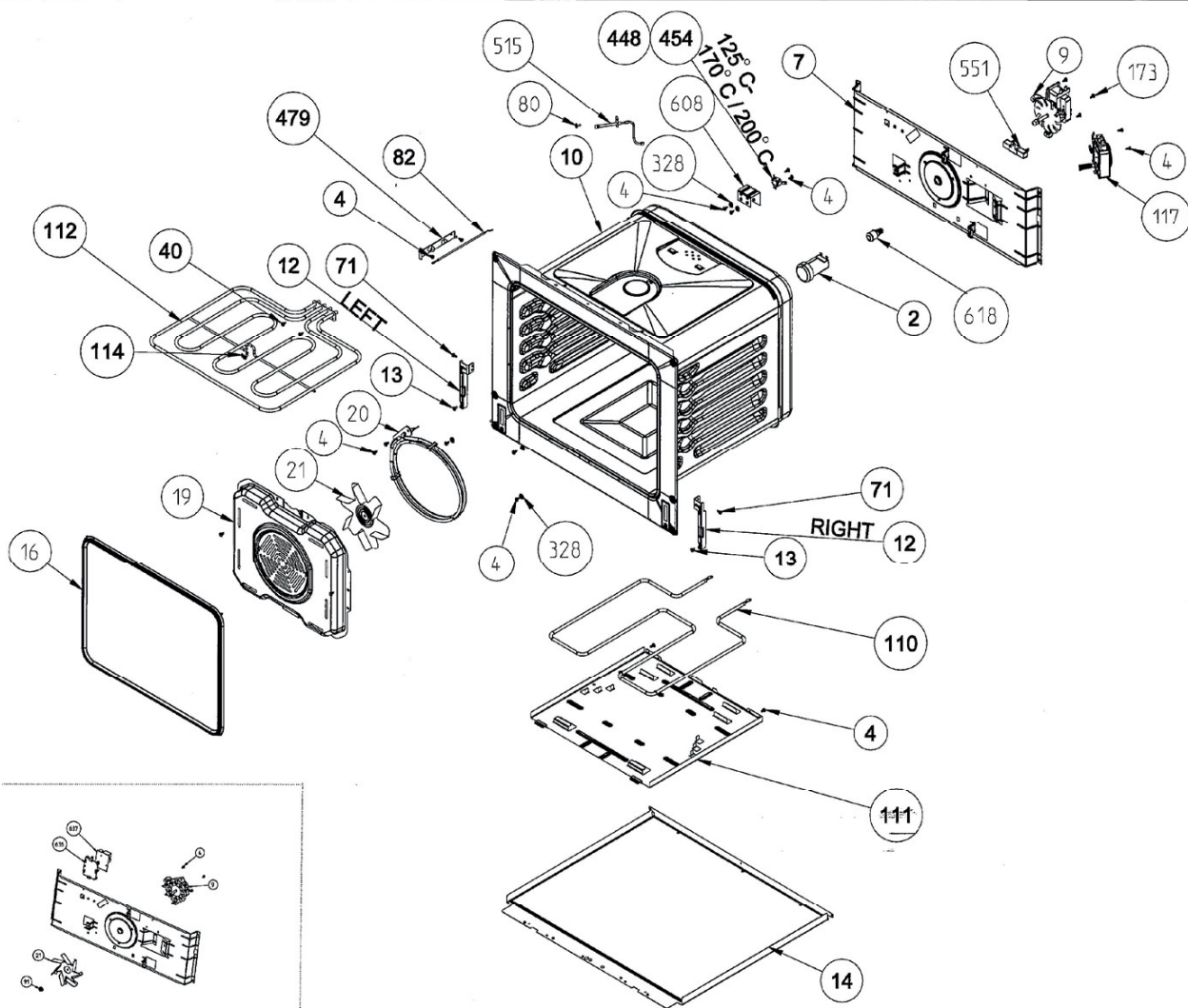
Cuisinière induction / Induction cooker
CV5050L3b



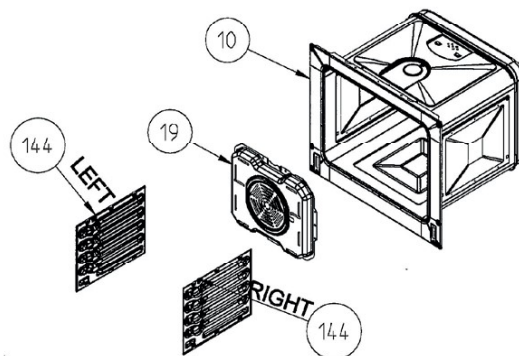
Vue éclatée / Exploded view

8011172

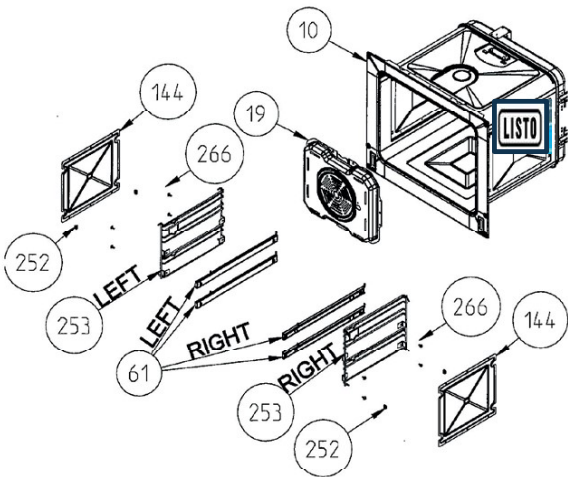
Vue éclatée / Exploded view



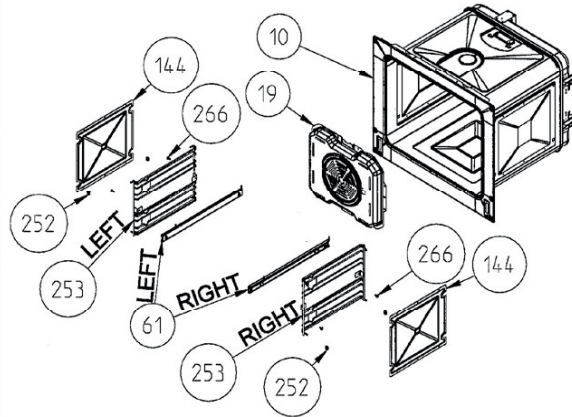
WIRE SHELF CAVITY ASSEMBLY WITH / WITHOUT CATALYTIC PANEL (OPTIONAL)



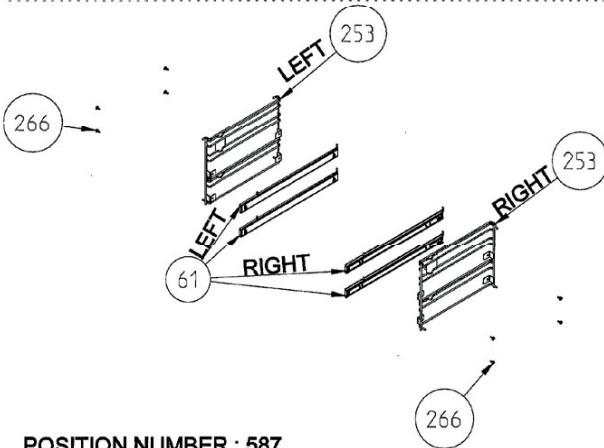
CAVITY ASSEMBLY WITH CATALYTIC SHELF (OPTIONAL)



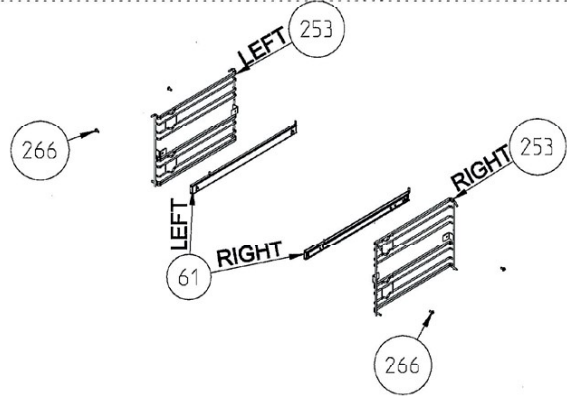
**WIRE SHELF CAVITY ASSEMBLY
WITH/ WITHOUT CATALYTIC PANEL
OPTIONAL:DOUBLE TELESCOPIC RAIL (R / L)**



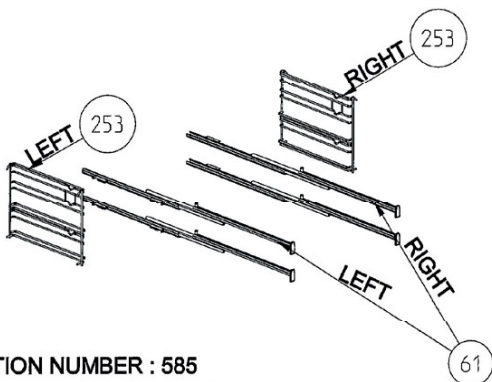
**WIRE SHELF CAVITY ASSEMBLY
WITH/ WITHOUT CATALYTIC PANEL
OPTIONAL:TELESCOPIC RAIL (R / L)**



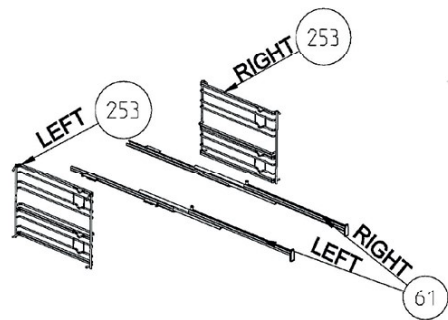
**POSITION NUMBER : 587
WIRE SHELF (SINGLE EXTENSION)
OPTIONAL:DOUBLE TELESCOPIC RAIL (R / L) GROUP**



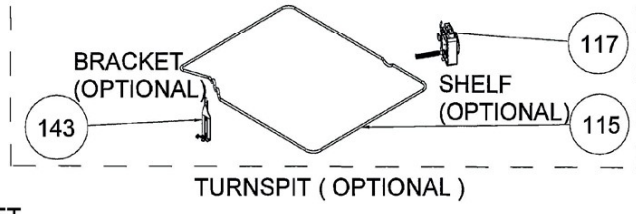
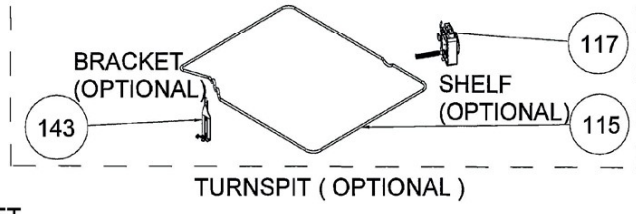
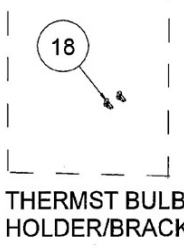
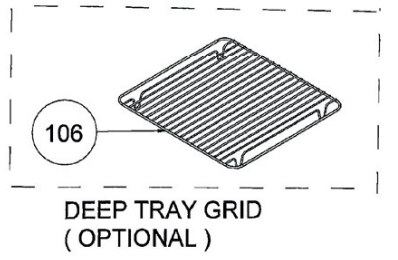
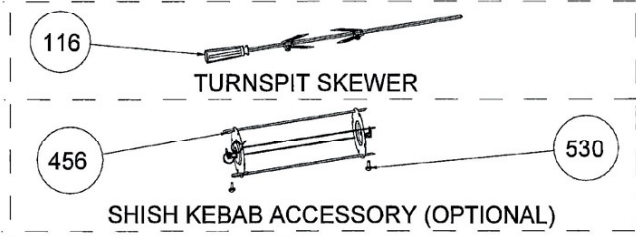
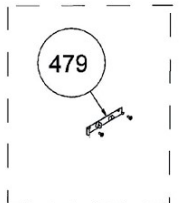
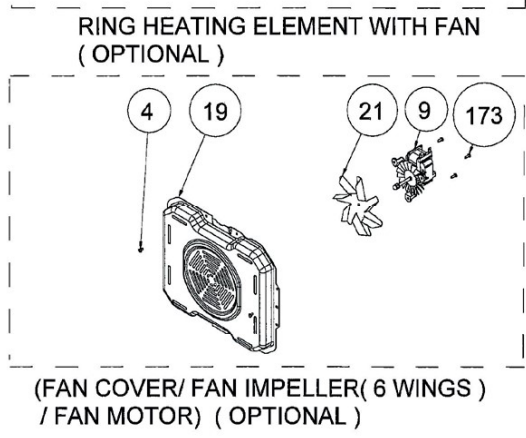
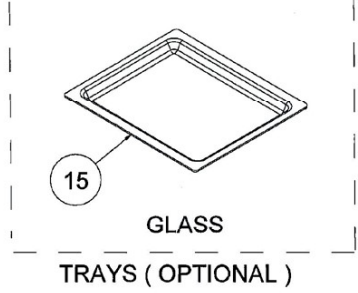
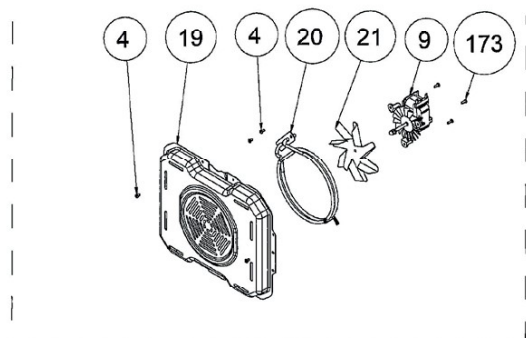
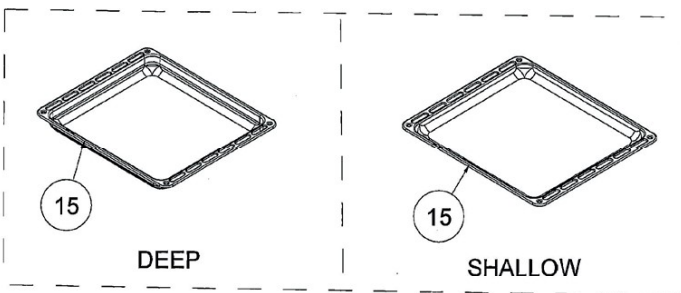
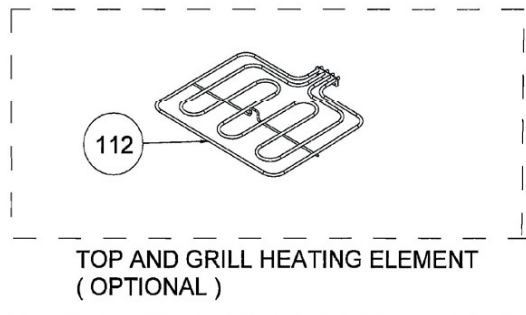
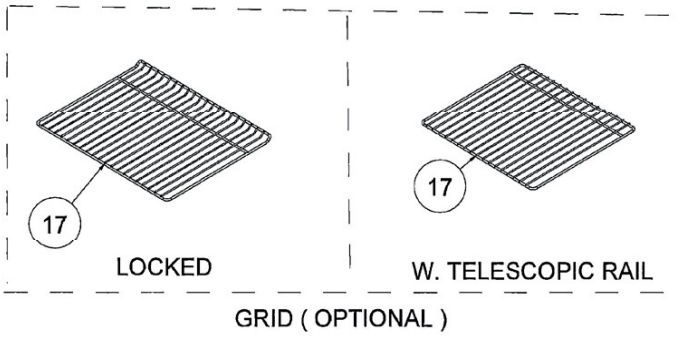
**POSITION NUMBER :588
WIRE SHELF (SINGLE EXTENSION)
OPTIONAL: SINGLE TELESCOPIC RAIL (R / L) GROUP**



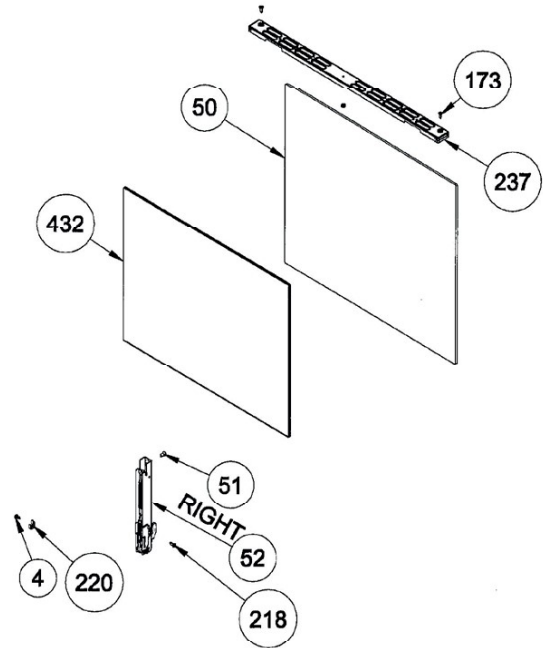
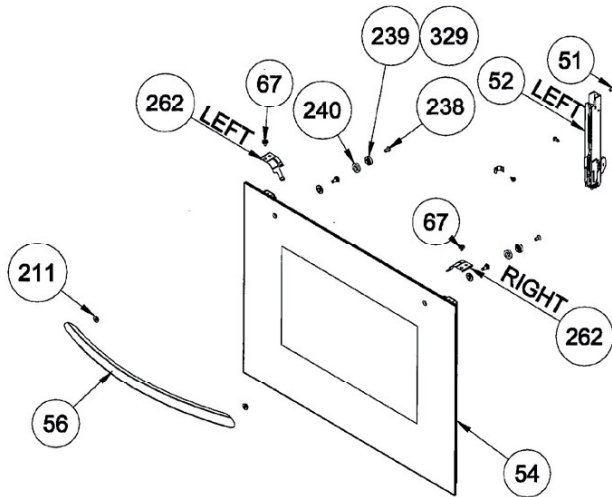
**POSITION NUMBER : 585
WIRE SHELF (FULL EXTENSION)
OPTIONAL:DOUBLE TELESCOPIC RAIL (R / L) GROUP**



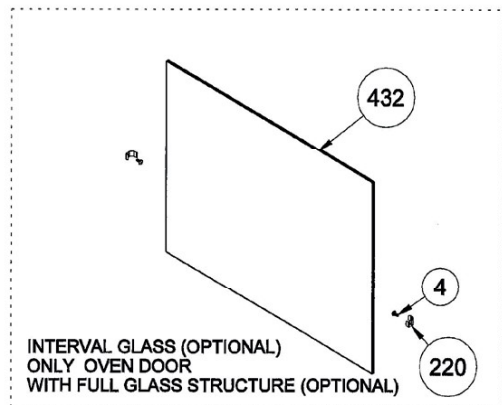
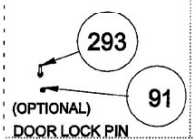
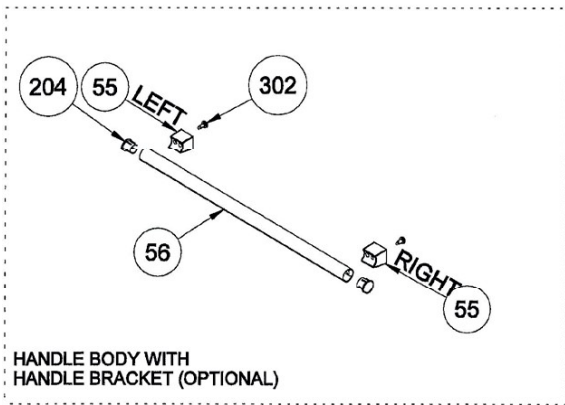
**POSITION NUMBER: 586
WIRE SHELF (FULL EXTENSION)
OPTIONAL: SINGLE TELESCOPIC RAIL (R / L) GROUP**



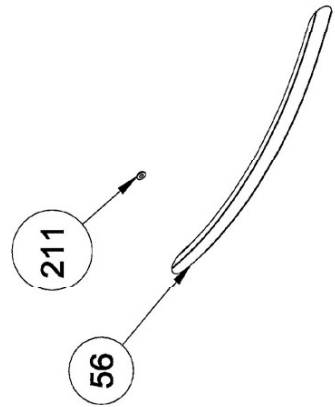
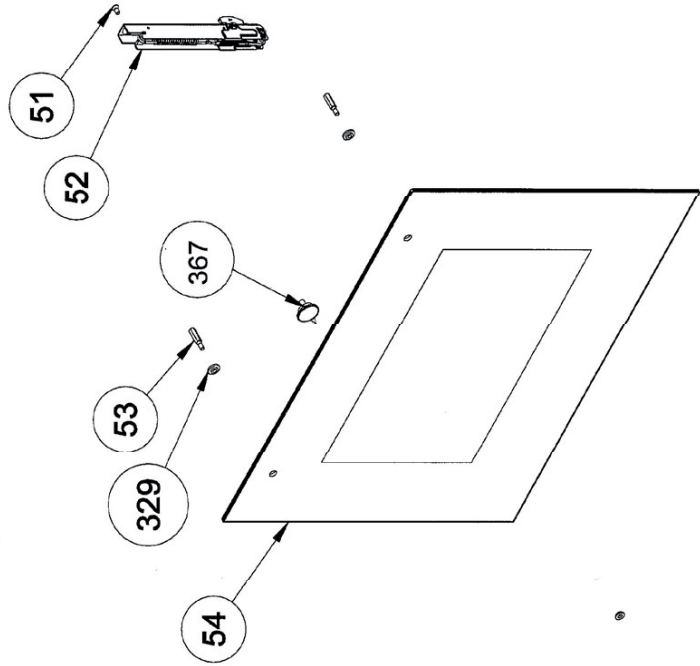
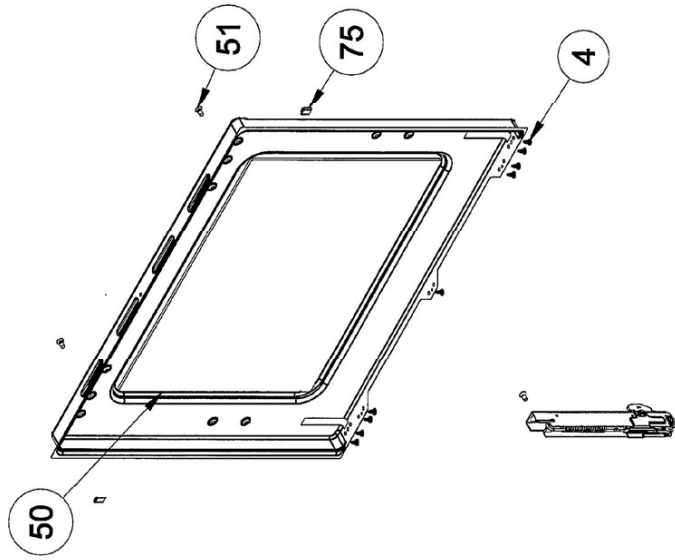
**POSITION
NUMBER :377
(DOOR)**



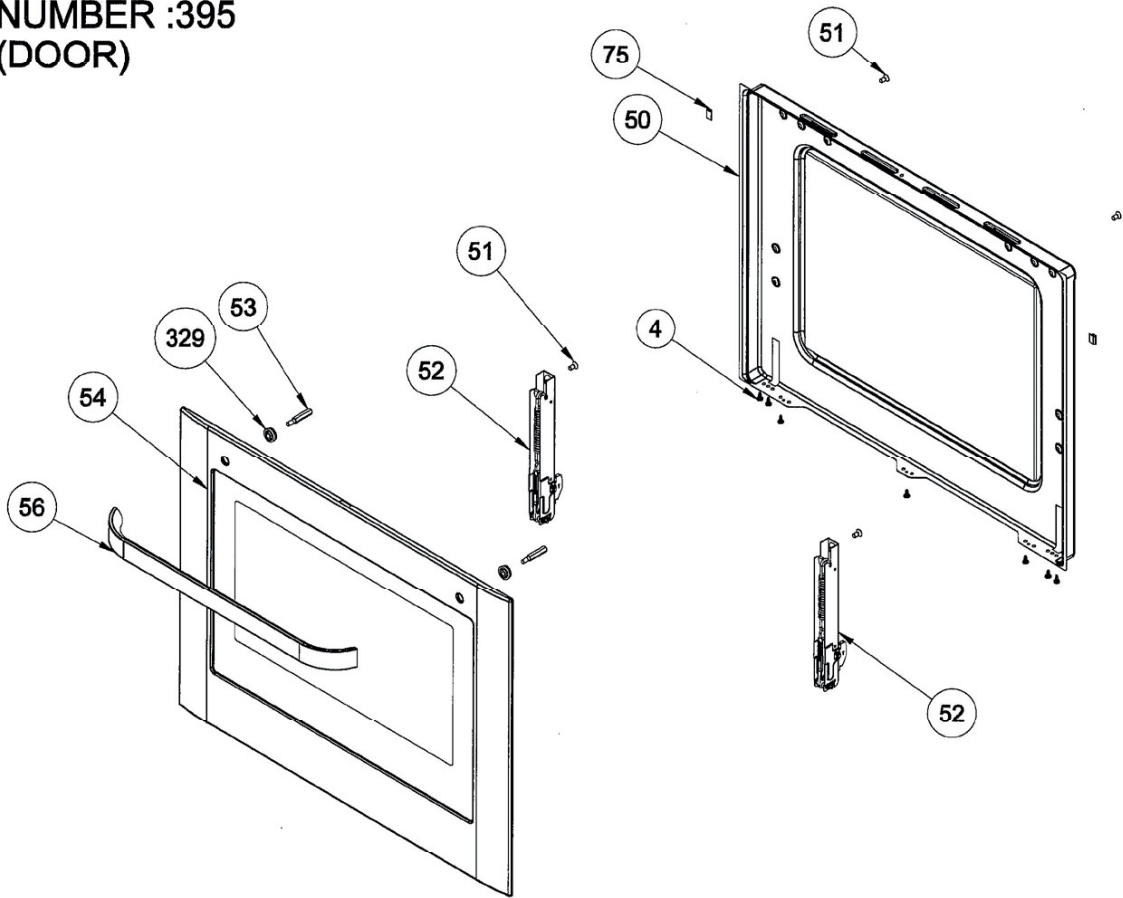
Note :
220,239,240,432 is for Removable Third Glass Versions
262,67 is for Removable Glass Versions



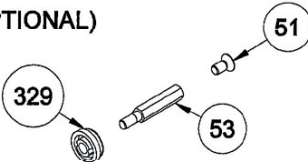
**POSITION
NUMBER :376
(DOOR)**



**POSITION
NUMBER :395
(DOOR)**

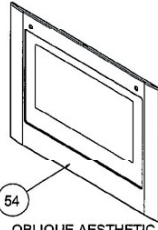


(OPTIONAL)

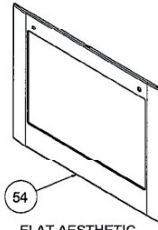


TYPE 1

**HANDLE ASSEMBLY GROUP
POSITION NUMBER : 49
(OPTIONAL)**



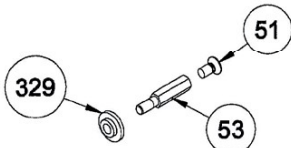
OBLIQUE AESTHETIC



FLAT AESTHETIC

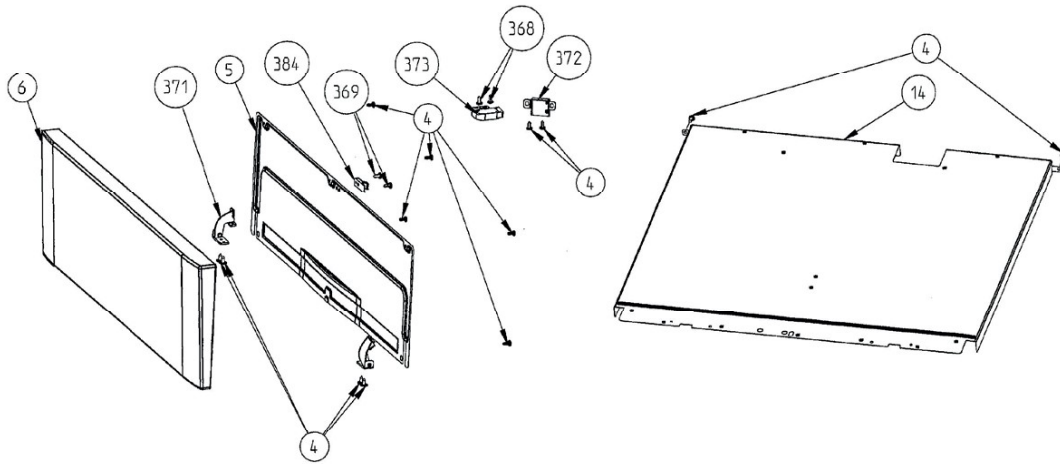
SOLID TYPE - POSITION NO 54 (OPTIONAL)

(OPTIONAL)

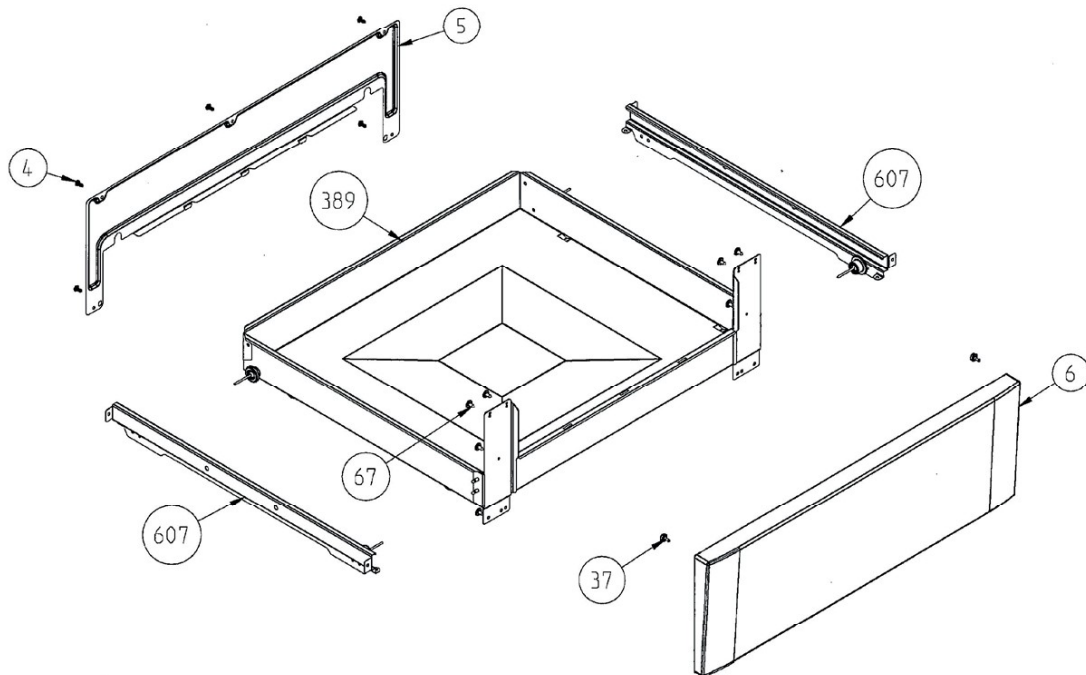


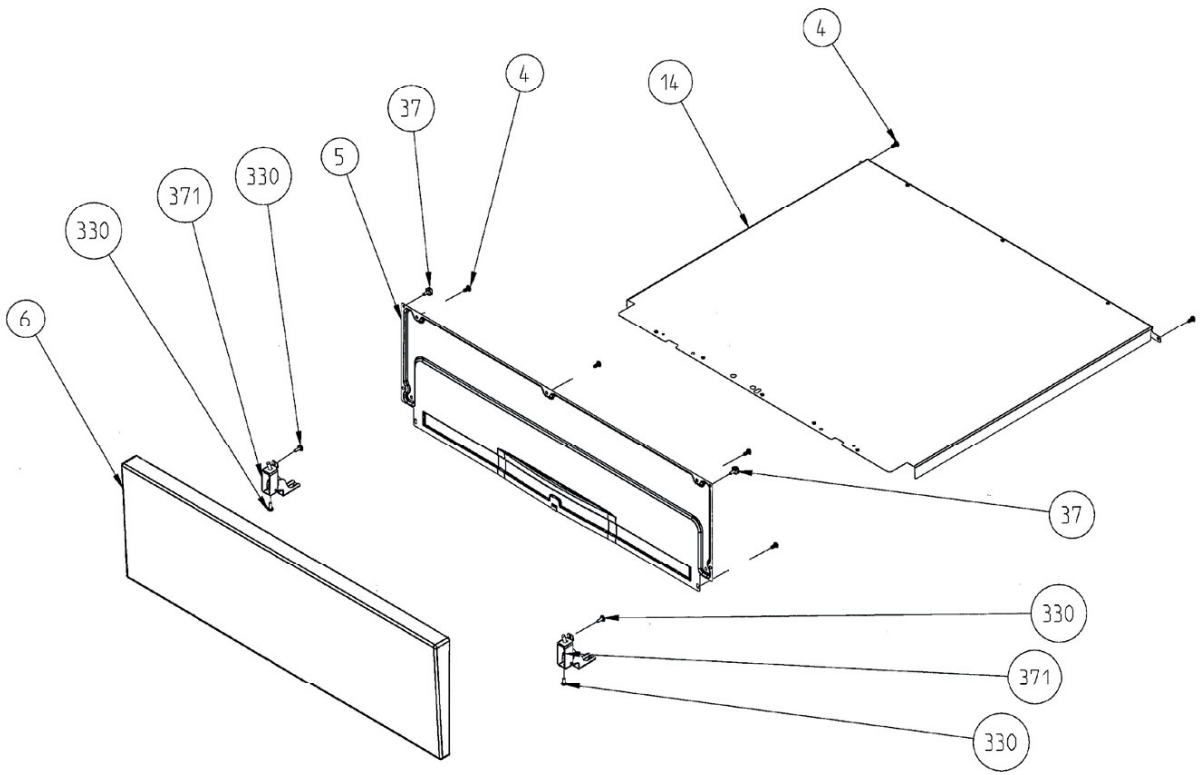
TYPE 2

**HANDLE ASSEMBLY GROUP
POSITION NUMBER : 49
(OPTIONAL)**

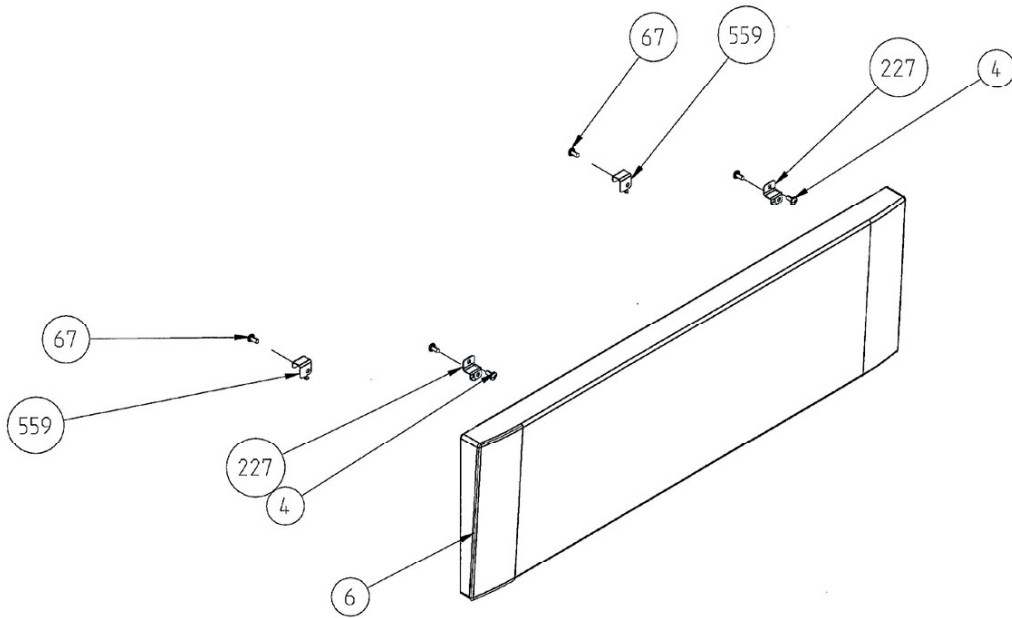


PUSH PULL FLAP DRAWER ASSEMBLY (OPTIONAL)

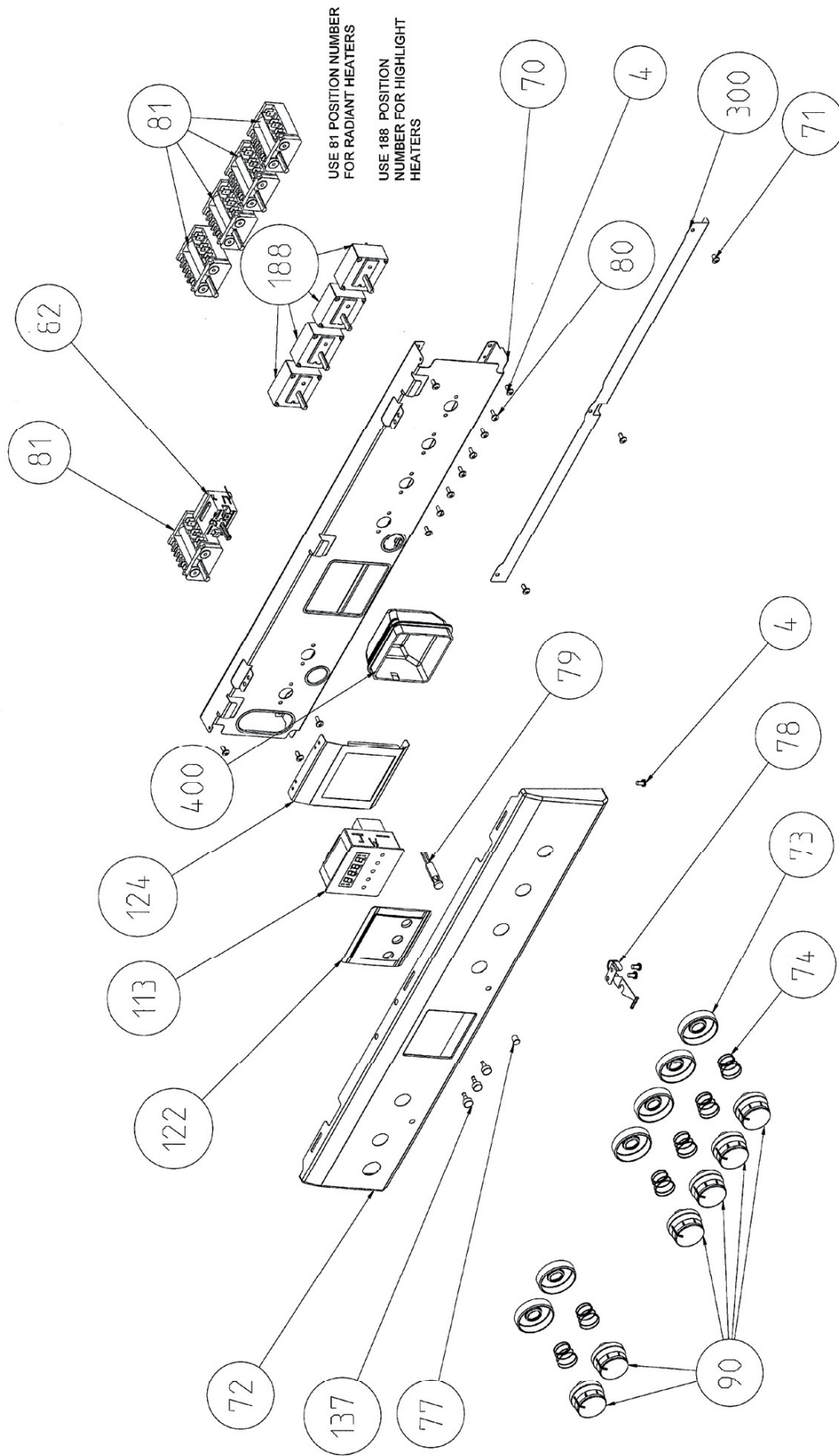


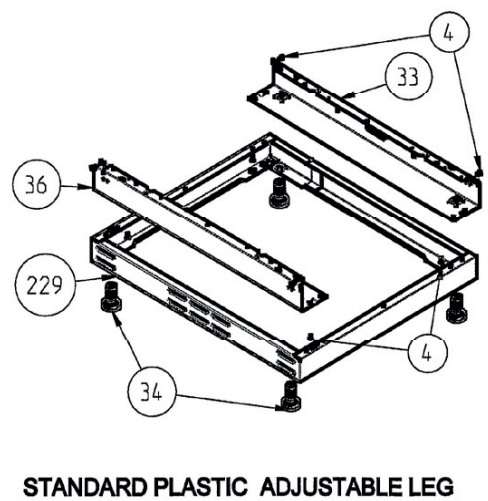
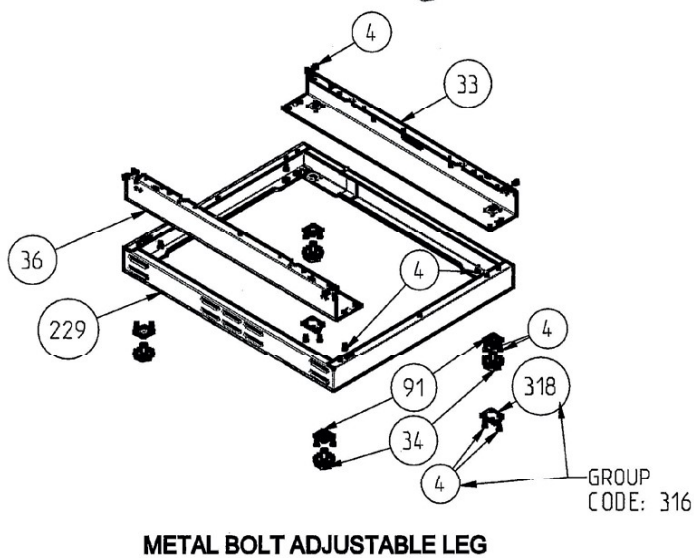
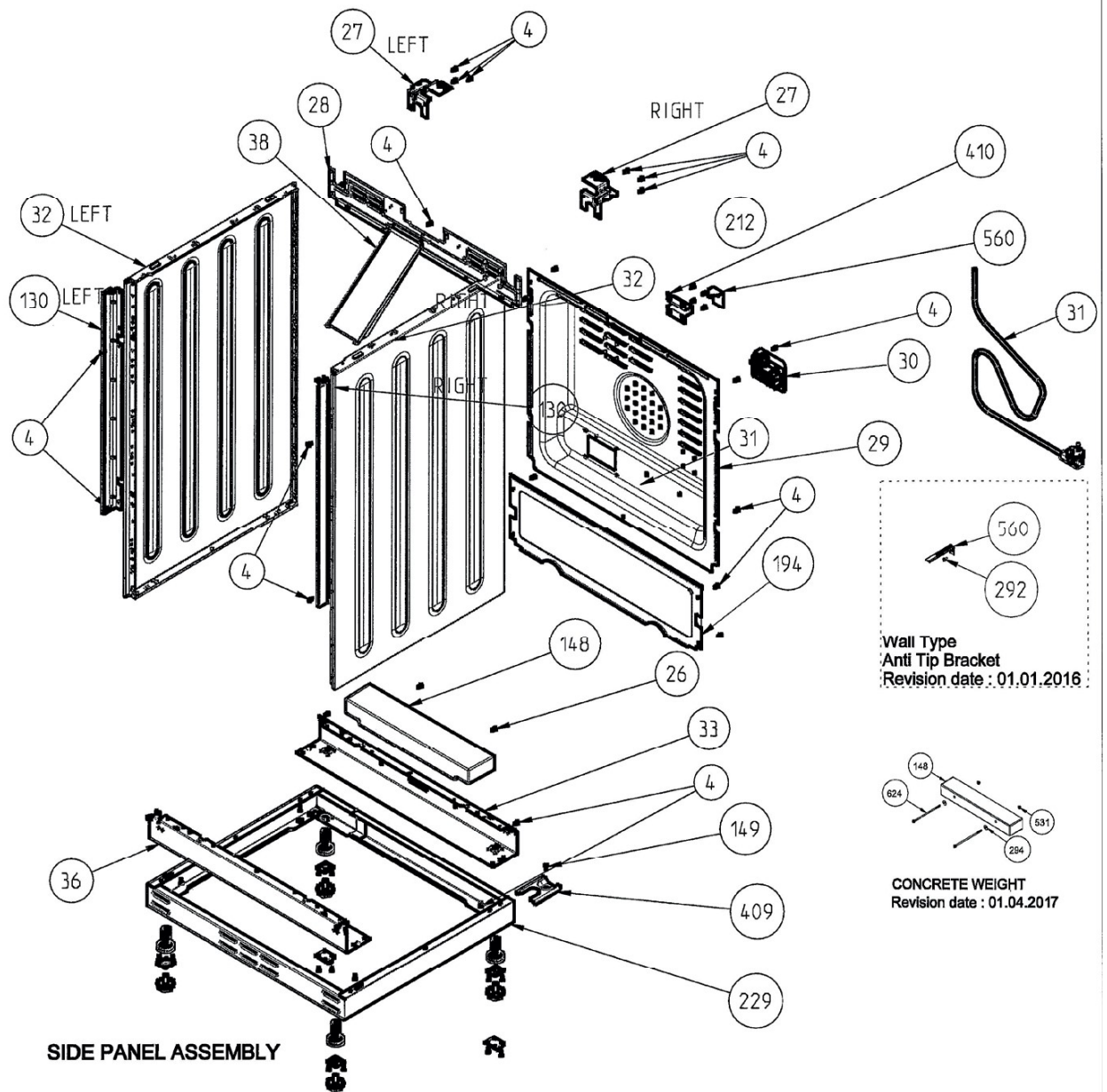


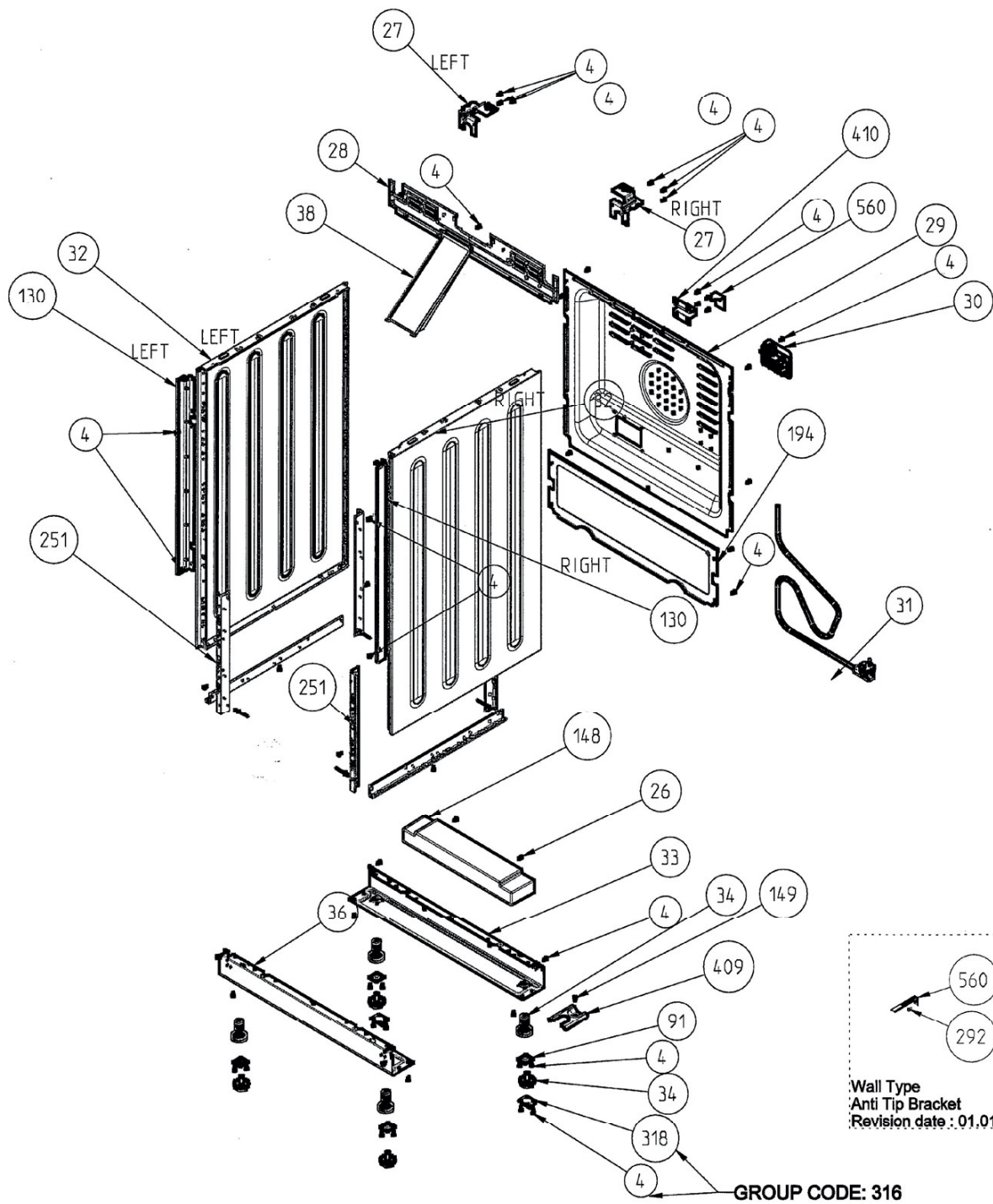
YNTB FLAP DRAWER ASSEMBLY



**FIXED DRAWER ASSEMBLY
(OPTIONAL)**



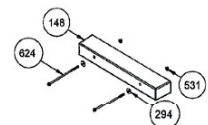




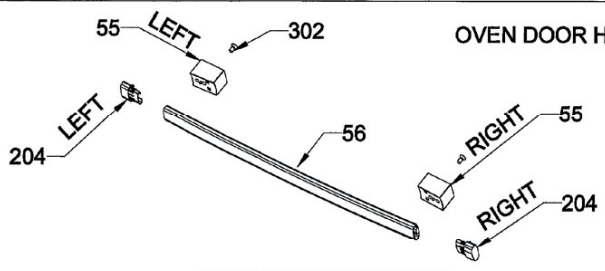
YNTB 85 CM SIDE PANEL ASSEMBLY

560
292
Wall Type
Anti Tip Bracket
Revision date : 01.01.2016

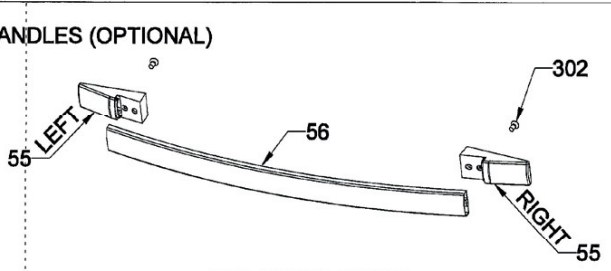
GROUP CODE: 316



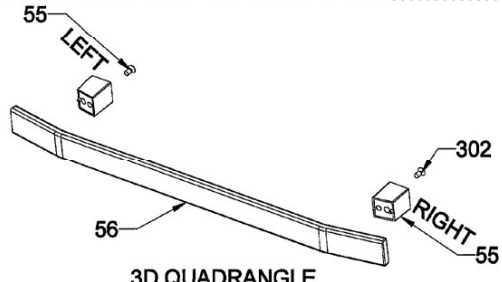
CONCRETE WEIGHT
Revision date : 01.04.2017



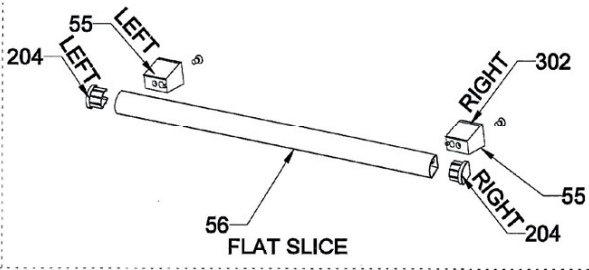
CURVED QUADRANGLE



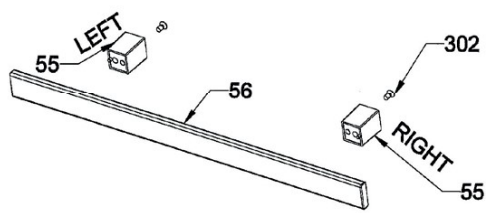
ARC QUADRANGLE



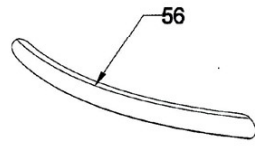
3D QUADRANGLE



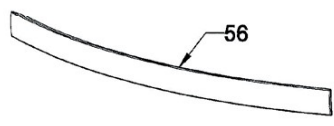
FLAT SLICE



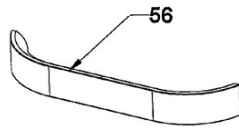
FLAT QUADRANGLE



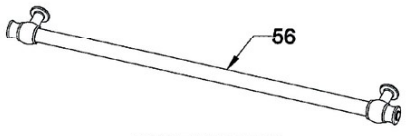
ELLIPSE ARC



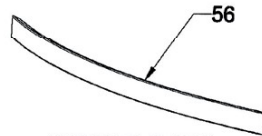
D PROFILE ARC, ELECTROLUX



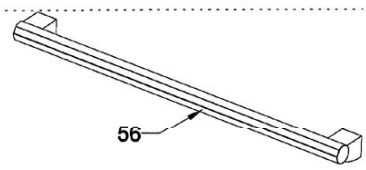
BOW



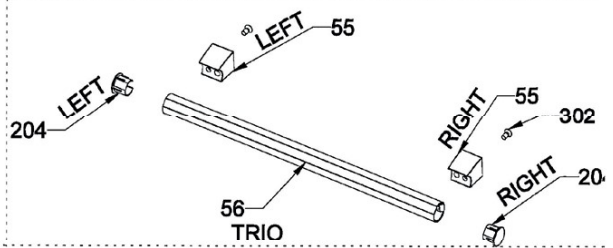
RUSTIK RISUS



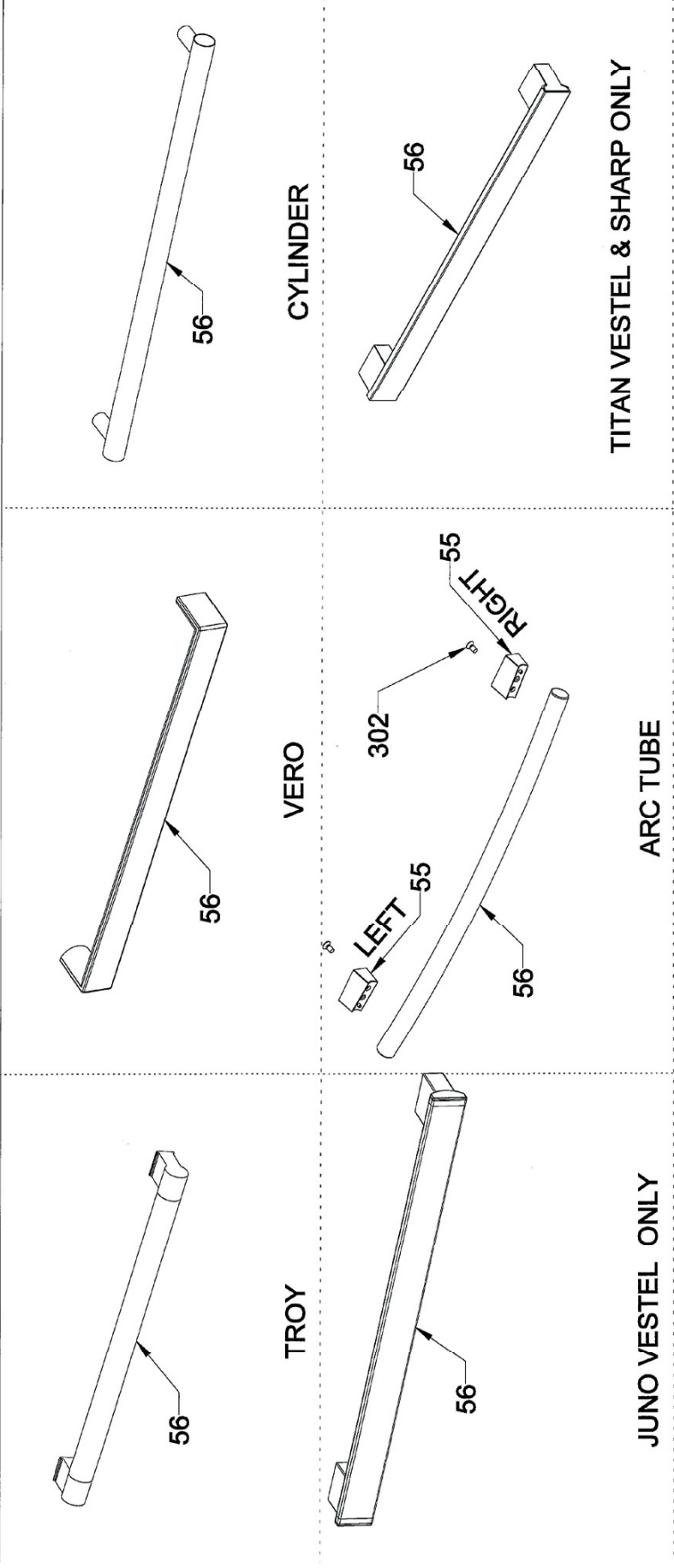
D PROFILE ARC



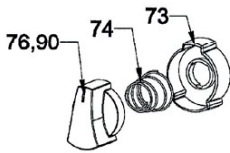
METALUX



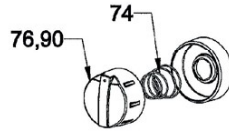
TRIO



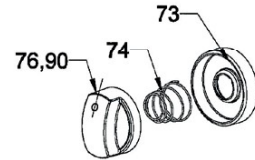
KNOB (NEW FREESTANDING OVEN ONLY - OPTIONAL)



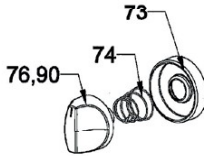
DELTA RING



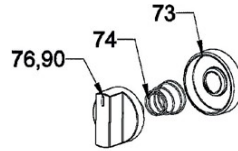
ANTERO



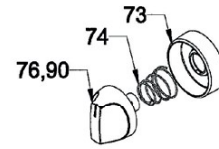
ECLIPSE RING



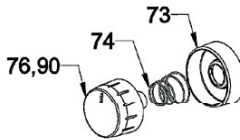
GAMA RING



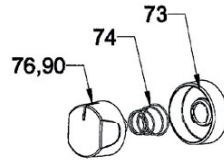
NORD RING



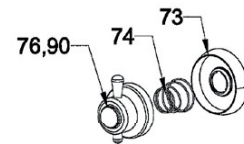
PELGRIM



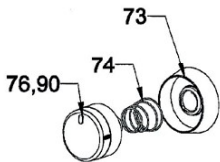
OMEGA



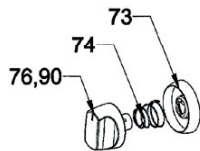
RIMO RING



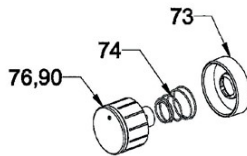
RUSTIK RISUS RING



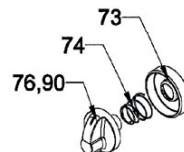
SIGMA



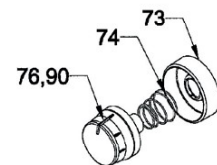
TRIO



SMALL MACRO RING



VARIO RING



SPEKTRUM



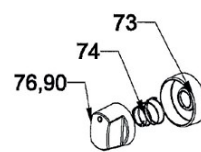
AGA CLASSIC ONLY



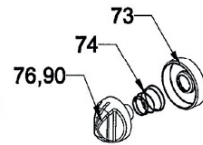
AGA KITCHENER ONLY



AGA PROFESSIONAL ONLY



VESTA



ZETA RING

Liste des pièces détachées / Spare parts list

N° VUE	REFERENCE	DESIGNATION (FR)	DESIGNATION (ENG)	INFORMATION
0	37002590	SUPPORT ISOLATION ARRIERE	INSULATION WIRE	
2	32042009	DOUILLE FOUR + AMPOULE 25W-G9-300°C	OVEN LAMP 230V 25W T300 N G9	
4	37019096	VIS 3,9*12	SCREW,S,YTB,3.9X9.5,K,ST,A3S	
6	22022509	FACADE SOUS FOUR , BLANC	WARMER DRAWER PANEL (NEW G,56,FLAT,WHITE)	
7	20854866	TOLE ARRIERE	REAR INSULATION COVER_55_3B	
8	32022741	VOYANT CHALEUR RESIDUELLE	RESIDUAL HEAT INDICATOR LIGHT	
8	37021064	VOYANT CHALEUR RESIDUELLE	RESIDUAL HEAT INDICATOR LIGHT	
8	37059700	VOYANT CHALEUR RESIDUELLE	RESIDUAL HEAT INDICATOR LIGHT	ap 1084600
12	37001924	SUPPORT CHARNIERE DROITE	HINGE COUNTERPART (50*60,50*50,RIGHT)	
12	37001925	SUPPORT CHARNIERE GAUCHE	HINGE COUNTERPART (50*60,50*50,LEFT)	
13	37002589	VIS	SCREW,M,YHB,4X8,F,ST,A3S	
15	20613041	LECHEFRITE 380*385mm (noir profond)	TRAY (50*60,50*50, DEEP, BLACK)	
15	20615191	LECHEFRITE 380*385mm (peu profond)	TRAY (50*60,50*50, SHALLOW, BLACK)	
16	42061049	JOINT MOUFLE	DOOR GASKET(Y55,Y56,RN MAIN C.,R,O TYPE)	
17	37051786	GRILLE FOUR 385*363	GRID (56/55,V3)	
22	37007977	SUPPORT VOYANT CHALEUR RESISUELLE	HOT SURFACE INDIC. LIGHT HOLDER(DB.OVEN)	
27	20726807	CORNIERE ARRIERE DROITE	CHASSIS BRACKET (NEW G,55,RIGHT)	
27	20726808	CORNIERE ARRIERE GAUCHE	CHASSIS BRACKET (NEW G,55,LEFT)	
28	20613051	TOLE ARRIERE SUPERIEURE	REAR TOP PANEL (50*60)	
29	22111882	TOLE ARRIERE	REAR PANEL (56,ELECTRIC,V3)	
30	32001517	BORNIER ALIMENTATION	TERMINAL BOX 41A KA 1/6 HOL	
30	32008134	BORNIER ALIMENTATION	TERMINAL BOX P.C.G. 1517 WOP 3G2,5 1,6MW	
31	32008133	CABLE ALIMENTATION 3*2,5 1,1M	POWER CORD WIHTOUT PLUG 3G2,5 1,6M W	
32	20614423	PANNEAU LATERAL BLANC GAUCHE OU DROIT	SIDE PANEL (LEFT-RIGHT, 50*50, WHITE)	
33	22218356	PLINTHE ARRIERE	REAR KICKPLATE(56,0.6MM,DX51,V2)	
34	42247316	PIED PLASTIQUE H=50mm	ADJUSTABLE FEET V2	
36	20613021	PLINTHE AVANT	FRONT PLINTH (50*60,50*50,WHITE)	
38	37025053	CONDUIT EVACUATION CHALEUR	FS CHIMNEY ASSEMBLY V2(50*50)	
50	47019396	VITRE INTERIEURE	DOOR_FULL_INNER_GLASS_TIP7LD_56/55_LOWE,	
51	37026148	VIS POIGNEE	SCREW,M,YSB,5X12,F,ST,A3S,BLCK	
52	37051142	CHARNIERE PORTE	TYPE 7 DOOR COMPACT HINGE M01	
53	20614297	ENTRETOISE POIGNEE (FOUR)	HANDLE SPACER (OVEN)	
54	22426731	VITRE EXTERIEURE	OUTER GLASS ASSEMBLY(TOP/STANDARD)	
55	42217564	SUPPORT POIGNEE PORTE (FOUR)	HANDLE SUPPORT (WHITE)	
56	37038436	POIGNEE PORTE BLANC + SUPPORT	HANDLE FLAT QUADR ASM SHT V2(WHT,WHT,325)	
67	37007772	VIS 3,9*7,5	SCREW,S,RYSB,3.9X7.5,K,ST,A3B,THIN HEAD	
70	20703100	SUPPORT BANDEAU	INNER PANEL(NEW G,56,4E,WITH/OUT MEC.TMR	
72	22426727	BANDEAU	FRONT PANEL	
73	42143203	DISQUE MANETTE BLANC	KNOB RING	
74	37012495	RESSORT CONIQUE MANETTE	KNOB SPRING	
77	32036146	CACHE VOYANT ROUGE	SIGNAL LAMP LENS RED 6MM ANEL	
79	32005504	VOYANT + CABLES 170mm	SIGNAL LAMP 15X15CM BYR T MKR 250V ANL	
80	37002003	VIS 4*6	SCREW,M,YTB,4X6,F,ST,A3B	
81	32009789	COMMUTATEUR FOUR 3+0	SWITCH BUILT IN/FS HOTPLATE EGO	
82	32046835	THERMOSTAT REGLABLE 285°C	CAP. THERMOSTAT 285C NGBI/FO/DO JIU	
90	42142772	MANETTE BLANC	KNOB (EPSILON,MT8,WHITE)	
110	32017788	RESISTANCE INFERIEURE 1000W	BOTTOM HEATING ELEMENT(50*50,230V 1000W)	
111	20613033	TOLE SUPPORT RESISTANCE INFERIEURE	BOTTOM HEATING ELEMENT HOLDER	
112	32018184	RESISTANCE SUPERIEURE 1000W	TOP HEATING ELEMENT 1000W	ap 1084600
112	32041474	RESISTANCE SUPERIEURE 1000W	TOP HEATING ELEMEN 1000W	
114	37023676	SUPPORT RESISTANCE SUPERIEURE	TOP TUBULAR HEATING BRACKET	
130	20705423	CORNIERE LATERALE DROITE BLANC	SIDE CLOSING PROFILE (RIGHT,WHITE)	
130	20705424	CORNIERE LATERALE GAUCHE BLANC	SIDE CLOSING PROFILE (LEFT,WHITE)	
148	47009167	LEST	CONCRETE WEIGHT (NEW G,6KG)	

N° VUE	REFERENCE	DESIGNATION (FR)	DESIGNATION (ENG)	INFORMATION
173	37002304	VIS	SCREW,S,YTB,3.9X13,K,ST,A3B	
182	37014751	TOLE SUPPORT FOYER VITRO	VITROCERAMIC HOB BOTTOM COVER(50°50)	
184	32043077	RESISTANCE 1200W -145MM	CERAN HL 145MM 230V 1200W J	
184	32043078	RESISTANCE1800W - 180mm	CERAN HL 180MM 230V 1800W J	
188	32033019	COMMUTATEUR ENERGIE	ENERGY REGULATOR (230V, SINGLE ZONE) 50.	
190	37006962	SUPPORT PLAQUE HL 145	HIGHLIGHT HEATING FIXING BRACKET ASSEMBL	
194	37007082	TOLE ARRIERE	REAR BOTTOM LID	
204	42017436	EMBOUIT POIGNEE BLANC	HANDLE TAP (FLAT QUADRANT,WHITE)	
218	37007773	VIS 3,9*7,5	SCREW,S,YHB,3.9X7.5,F,ST,A3S,BLCK	
227	37012609	SUPPORT SUPERIEUR PORTE (SOUS FOUR)	FIXED DRAWER TOP BRACKET	
237	42226666	PROFILSUPERIEUR PORTE	DOOR_PLASTIK_TOP_COVER_TYPE7LD_56/55	
249	22426725	TAQUE BLANC VITRO	CERAN GLASS ASSEMBLY	
292	37008902	VIS 3,9*32	SCREW,S,YSB,3.9X32,K,ST,A3B	
294	37008751	RONDELLE SECURITE PORTE	WASHER(FLAT,ID6,15xOD18xT1mm)	
300	37033174	CORNIERE BANDEAU 1 TROU	KNIFE BARRIER V3,SUBPANEL BLACK(NEW G,56	
302	37002007	VIS 5*10 METAL	SCREW,M,YSB,5X10,F,ST,A3B	
329	42019954	RONDELLE + VIS	GRADUAL WASHER	
377	22426726	GROUPE DE PORTES (FOUR PRINCIPAL)	MAIN OWEN DOOR GROUP	
448	32031724	THERMOSTAT NC 140 250V 16A	LIMIT THERMOSTAT NC 140C 250V 16A T	
479	37016061	SUPPORT BULBE THERMOSTAT ELECTRIQUE	THERMST BULB HOLDER(ELECTRIC,NEW)	
520	37018878	VIS LEST 5*140	BOLT,AKB,M5x121,AA8,A3B	
521	32023787	SUPPORT CABLAGE	CABLE HOLDER RECTANGLE 19X28MM	
531	37018880	ECROU M5	NUT.AKB.MS.C.FE.T	
559	37012610	SUPPORT INFERIEUR PORTE (SOUS FOUR)	FIXED DRAWER BOTTOM BRACKET	
560	37025687	SUPPORT ANTI BASCULEMENT (COTE MUR)	ANTI-TIP BRACKET (WALL TYPE)	
641	42165188	FJOINT ENTRETOISE VITRE INTERIEURE	INNER GLASS STOPPER BUMPER(TYPE2/7 DOOR)	
649	37028271	SUPPORT	ANK/DOTYPE-2,TYPE-4GLASS SUPPORT BRACKET	
718	37039476	VIS 3,9*9,5 RONDELLE TOLE CATALYSE (FOND)	SCREW,S,YSB,3.9X13,K,ST,GEO,SYH,RONDELAL	
	22280236	PROFIL SUPERIEUR PORTE	DOOR TOP COVER GROUP TIP7YT 56/55	
	22280241	TAMPON VITRE INTERIEURE	INNER GLASS STOPPER BUMPER TYPE 7 DOOR	
	22280242	PROTECTION VITRE INTERIEURE	TYPE 7 DOOR TAPES (2 GLASSES)	
C	47003651	PROTECTION	REMOVABLE GLASS TAPE	

Toutes les informations, dessins, croquis et images dans ce document relèvent de la propriété exclusive de SOURCING & CREATION. SOURCING & CREATION se réserve tous les droits relatifs à ses marques, créations et informations. Toute copie ou reproduction, par quelque moyen que ce soit, sera jugée et considérée comme une contrefaçon.

All information, designs, drawings and pictures in this document are the property of SOURCING & CREATION. SOURCING & CREATION reserves all rights to its brands, designs and information. Any copy and reproduction through any means shall be deemed and considered as counterfeiting.