

essentiel 

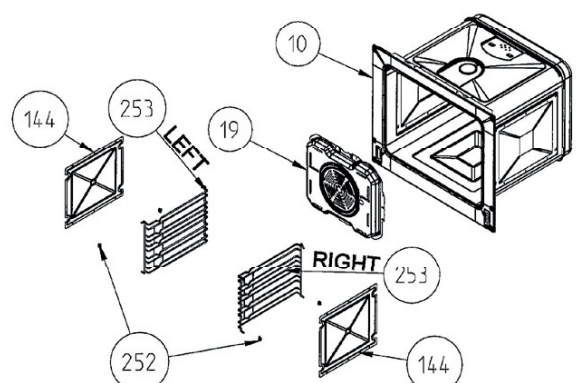
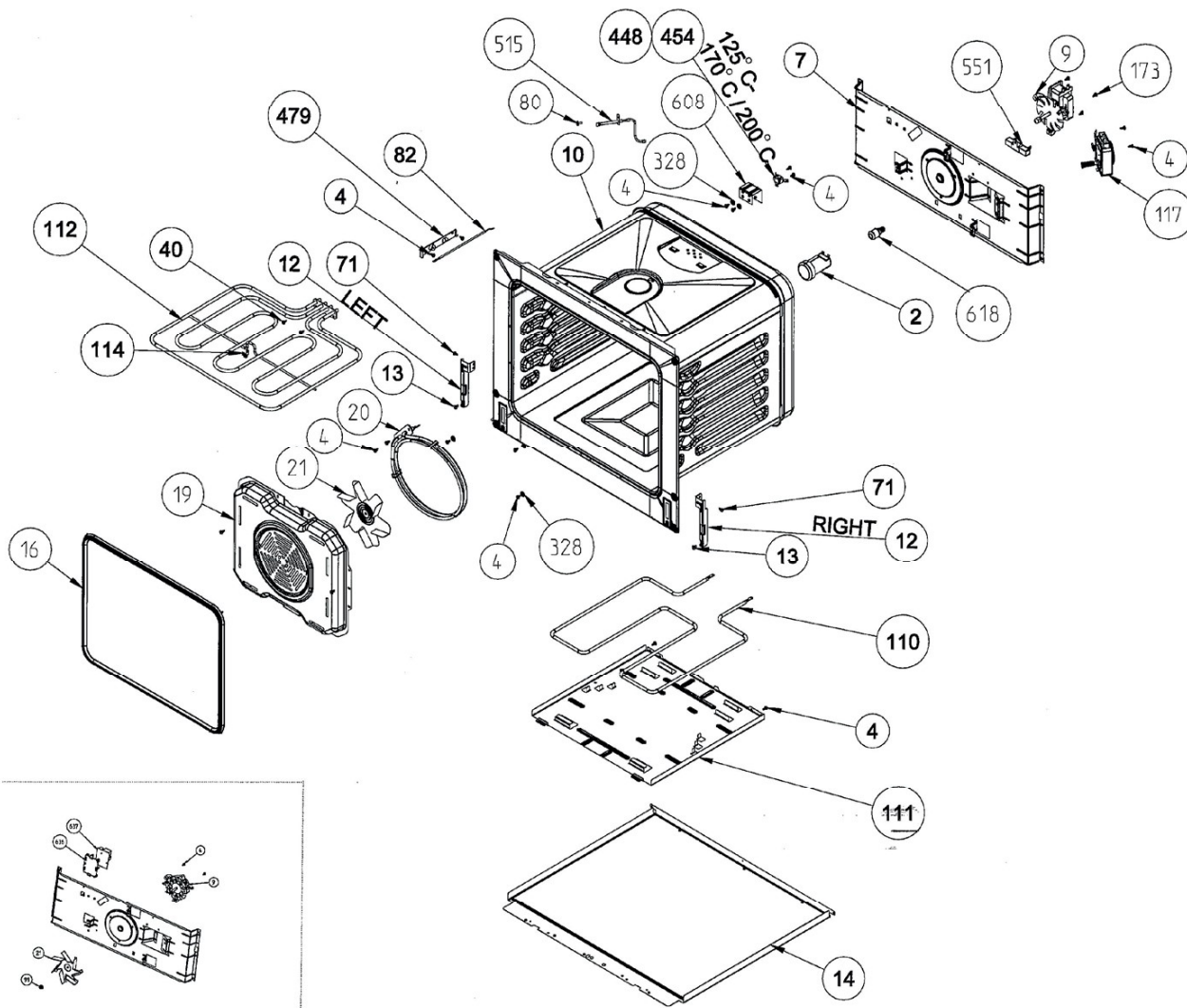
Cuisinière induction / Induction cooker
ECVC6060B7



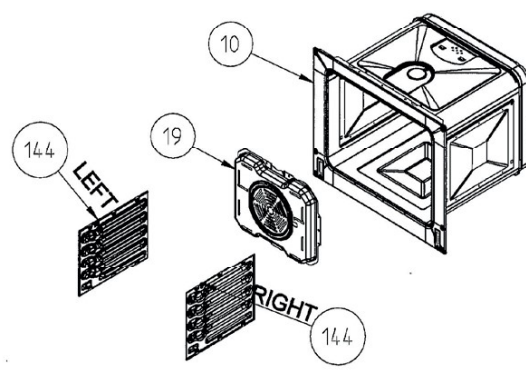
Vue éclatée / Exploded view

8011175

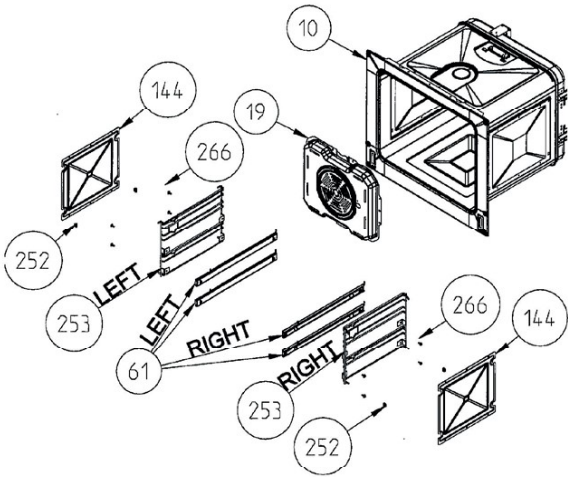
Vue éclatée / Exploded view



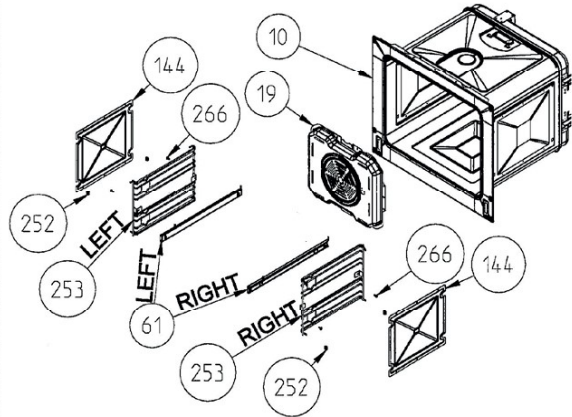
WIRE SHELF CAVITY ASSEMBLY WITH / WITHOUT CATALYTIC PANEL (OPTIONAL)



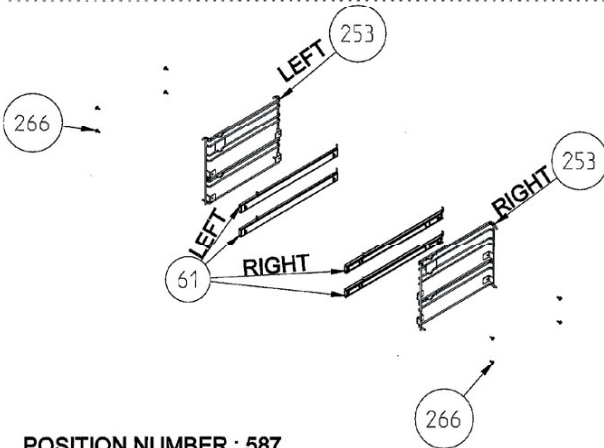
CAVITY ASSEMBLY WITH CATALYTIC SHELF (OPTIONAL)



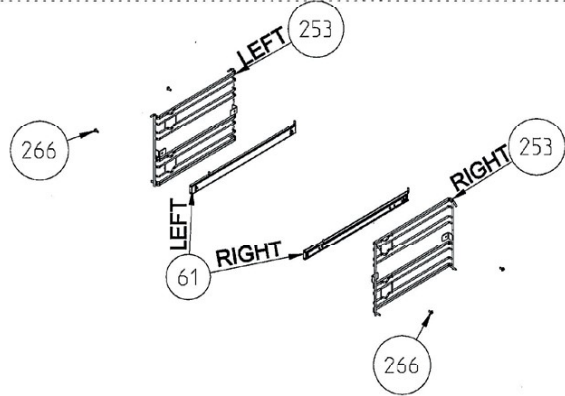
**WIRE SHELF CAVITY ASSEMBLY
WITH/ WITHOUT CATALYTIC PANEL
OPTIONAL:DOUBLE TELESCOPIC RAIL (R / L)**



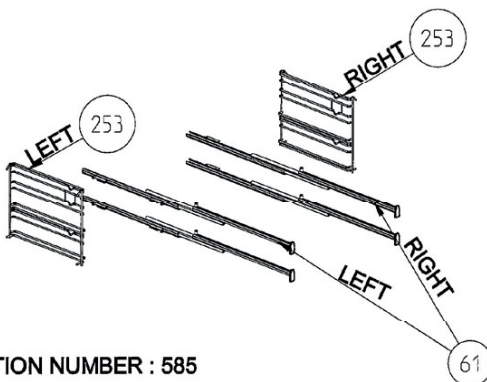
**WIRE SHELF CAVITY ASSEMBLY
WITH/ WITHOUT CATALYTIC PANEL
OPTIONAL:TELESCOPIC RAIL (R / L)**



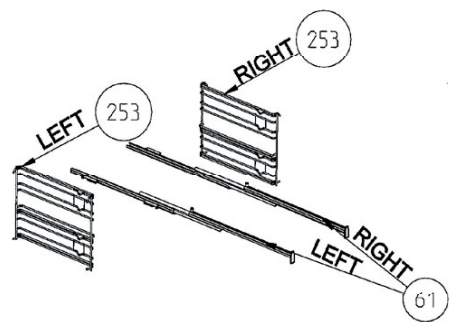
**POSITION NUMBER : 587
WIRE SHELF (SINGLE EXTENSION)
OPTIONAL:DOUBLE TELESCOPIC RAIL (R / L) GROUP**



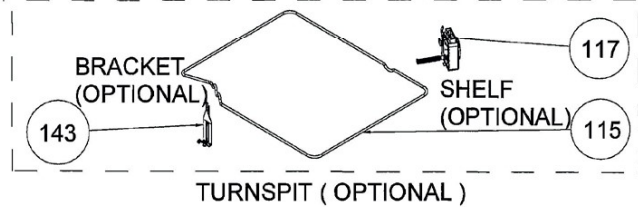
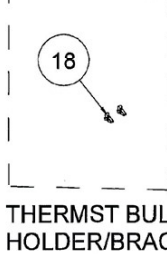
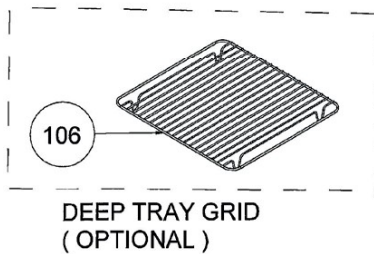
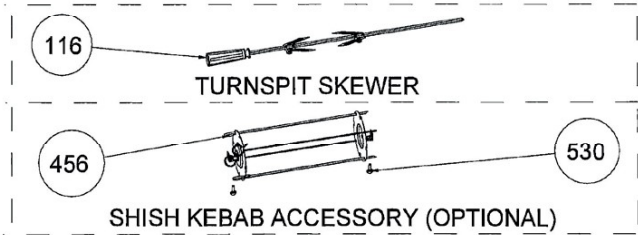
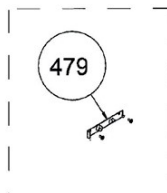
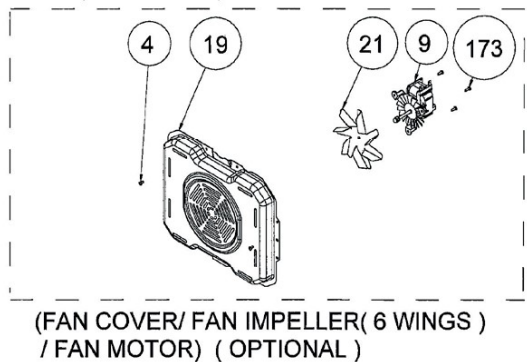
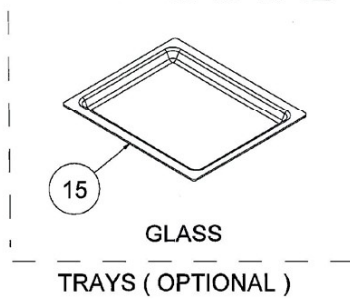
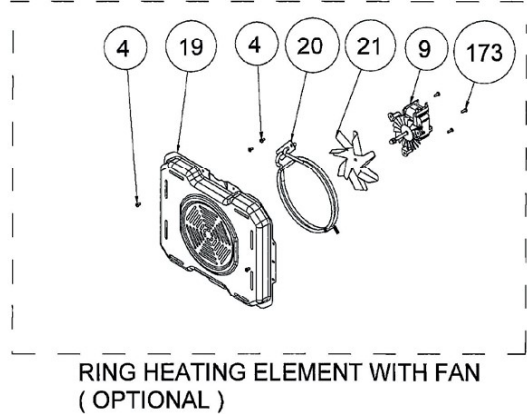
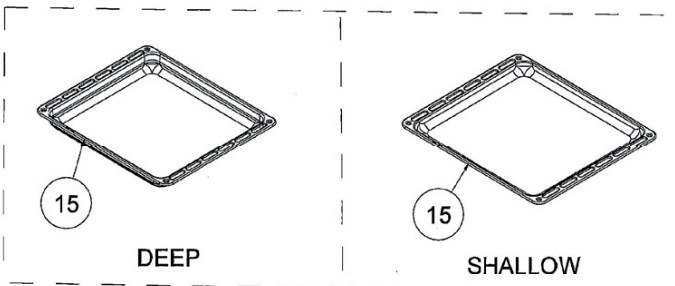
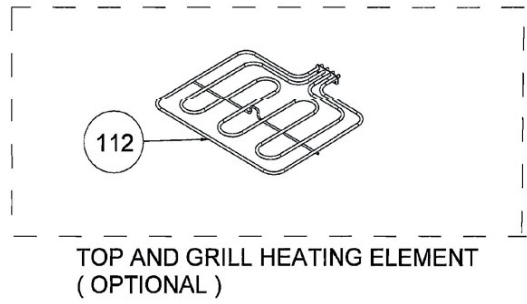
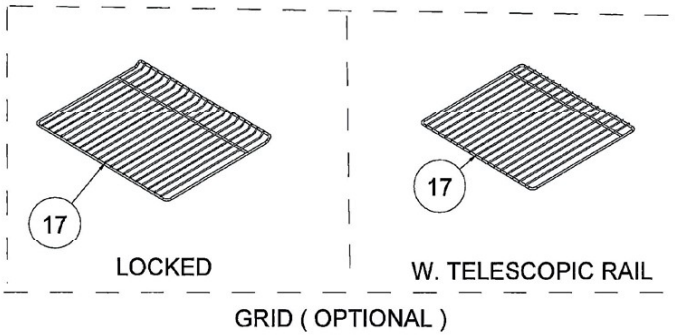
**POSITION NUMBER :588
WIRE SHELF (SINGLE EXTENSION)
OPTIONAL: SINGLE TELESCOPIC RAIL (R / L) GROUP**



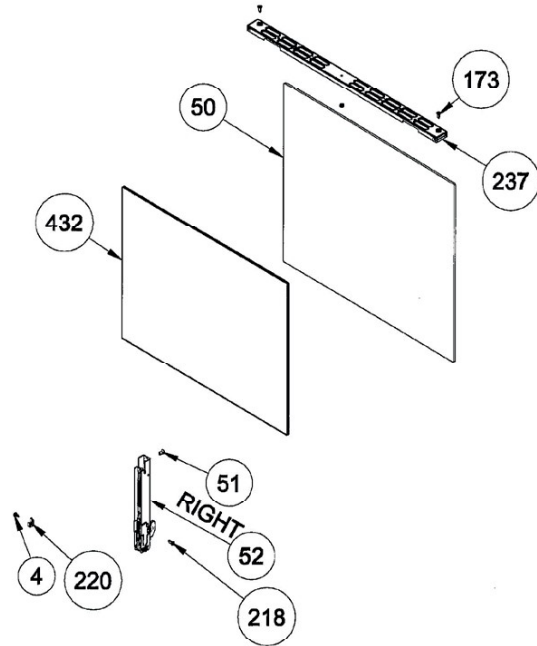
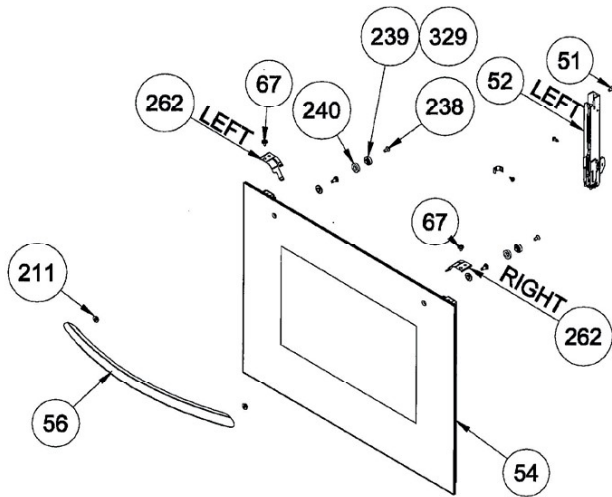
**POSITION NUMBER : 585
WIRE SHELF (FULL EXTENSION)
OPTIONAL:DOUBLE TELESCOPIC RAIL (R / L) GROUP**



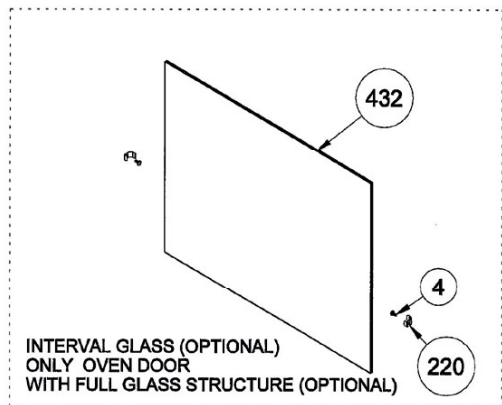
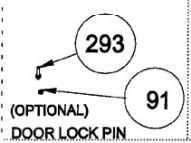
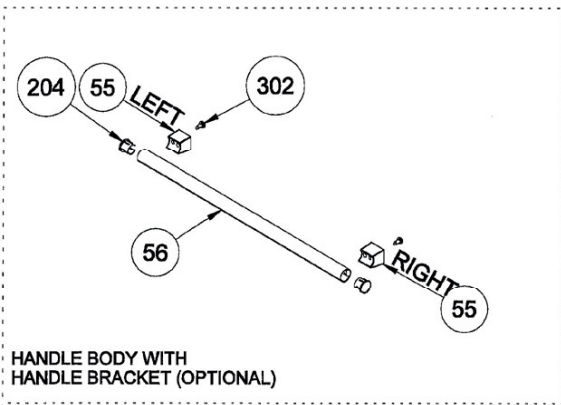
**POSITION NUMBER: 586
WIRE SHELF (FULL EXTENSION)
OPTIONAL: SINGLE TELESCOPIC RAIL (R / L) GROUP**



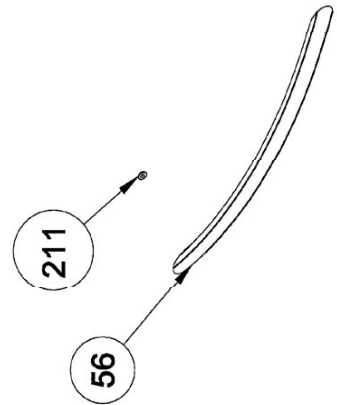
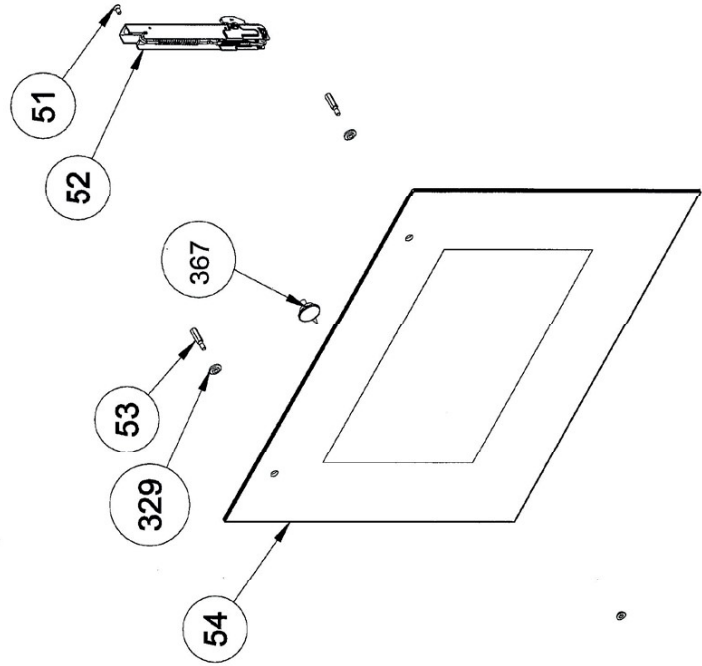
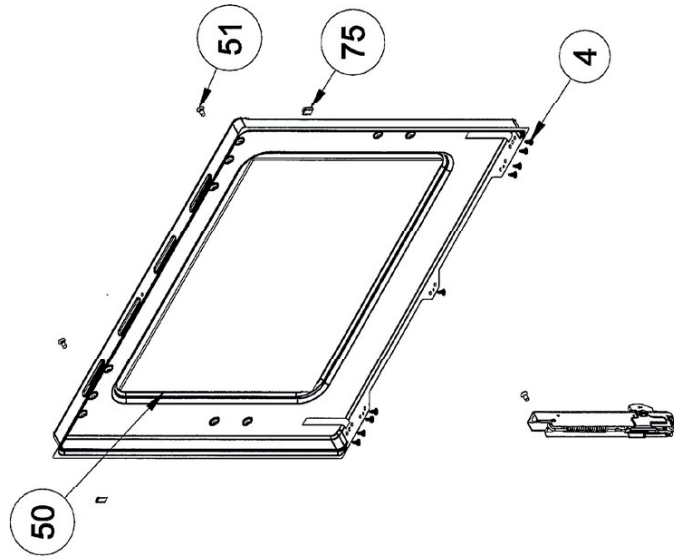
**POSITION
NUMBER :377
(DOOR)**



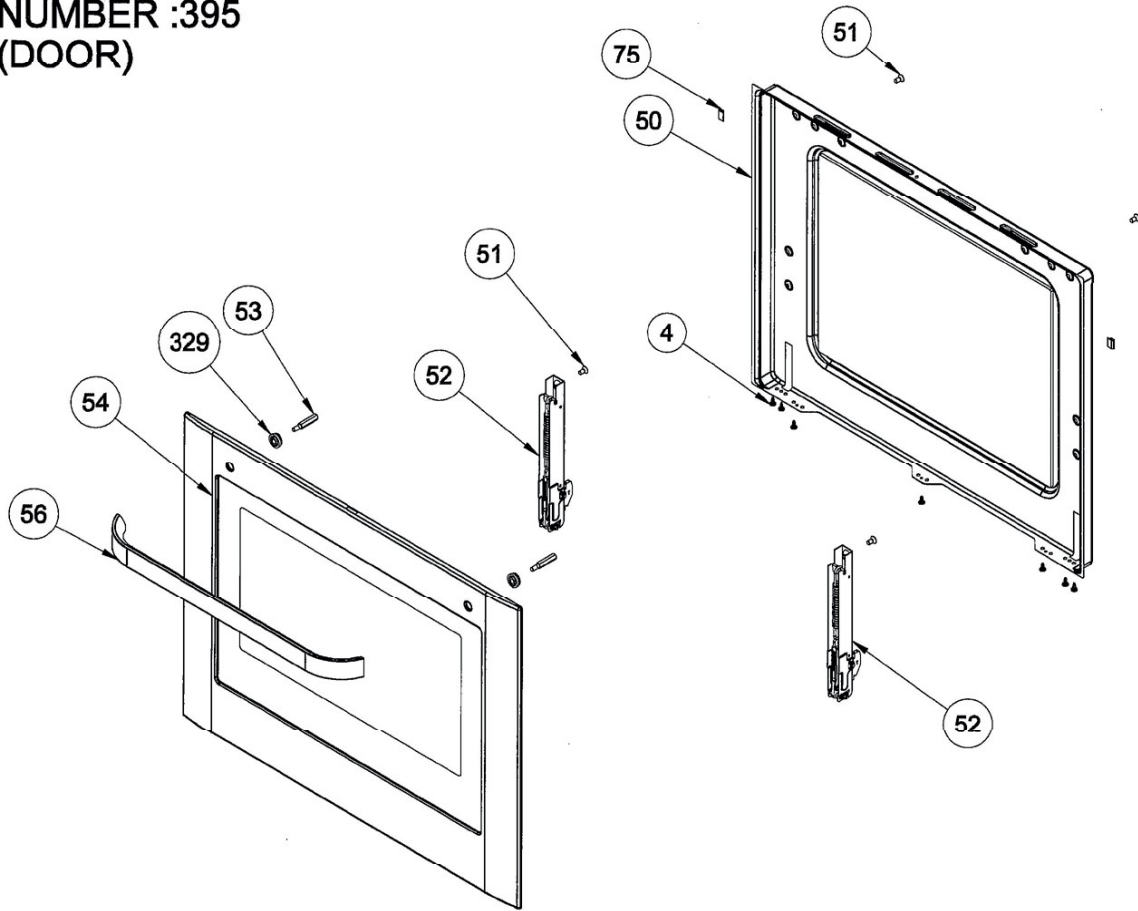
Note :
220,239,240,432 is for Removable Third Glass Versions
262,67 is for Removable Glass Versions



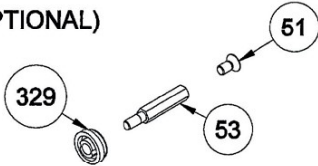
**POSITION
NUMBER :376
(DOOR)**



**POSITION
NUMBER :395
(DOOR)**

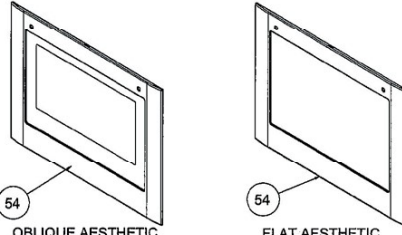


(OPTIONAL)



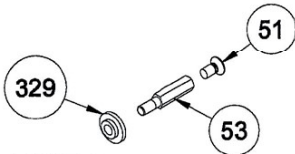
TYPE 1

**HANDLE ASSEMBLY GROUP
POSITION NUMBER : 49
(OPTIONAL)**



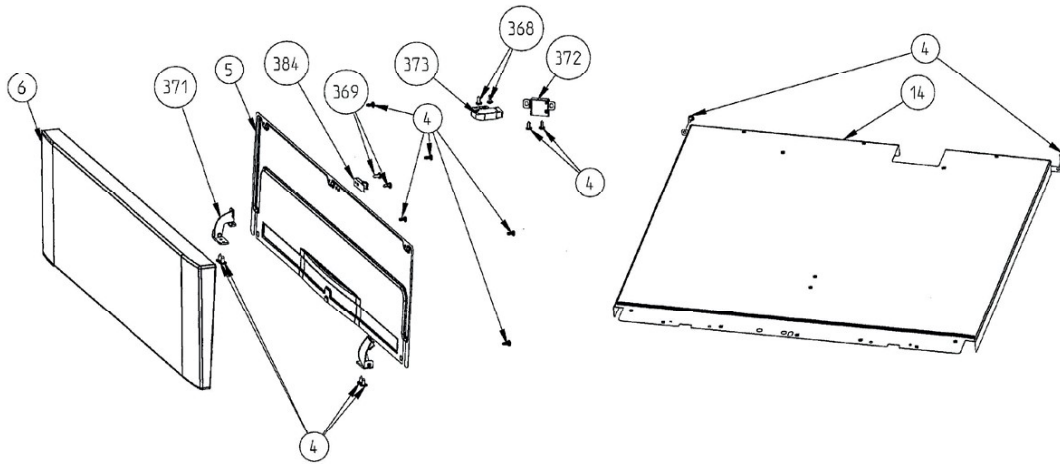
SOLID TYPE - POSITION NO 54 (OPTIONAL)

(OPTIONAL)

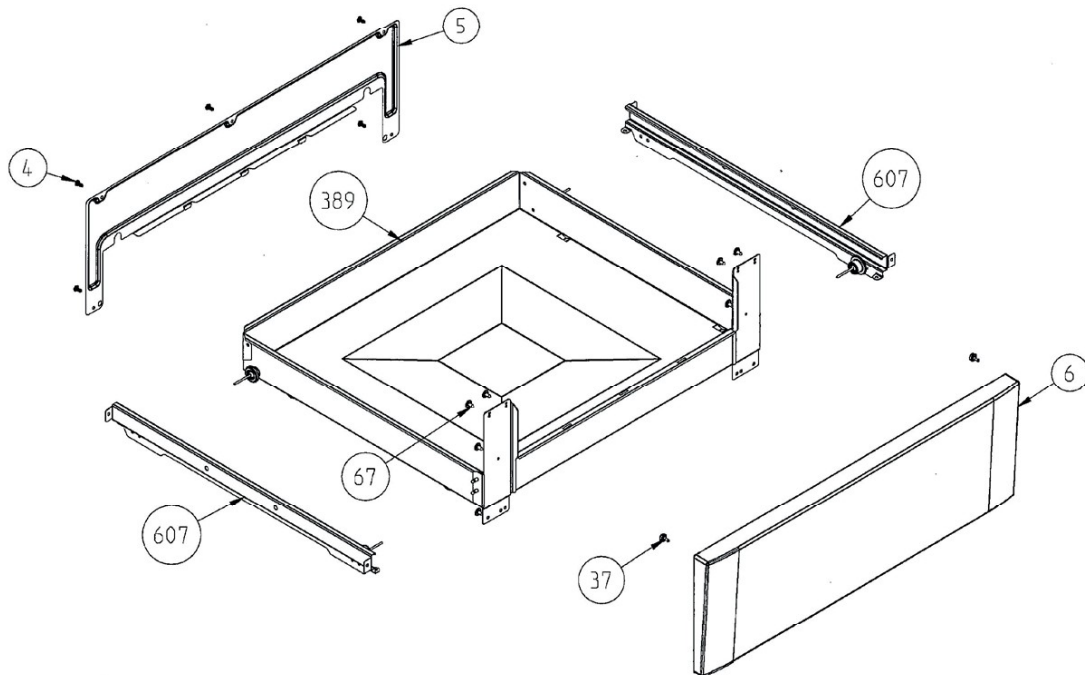


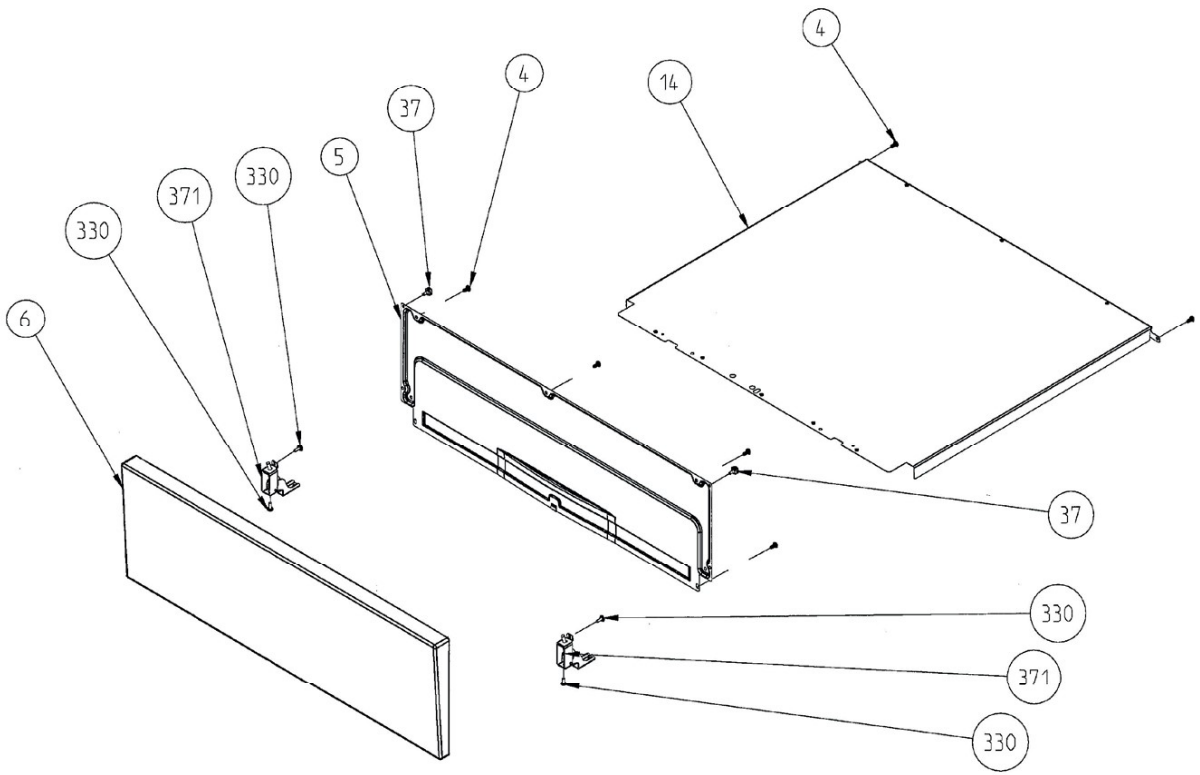
TYPE 2

**HANDLE ASSEMBLY GROUP
POSITION NUMBER : 49
(OPTIONAL)**

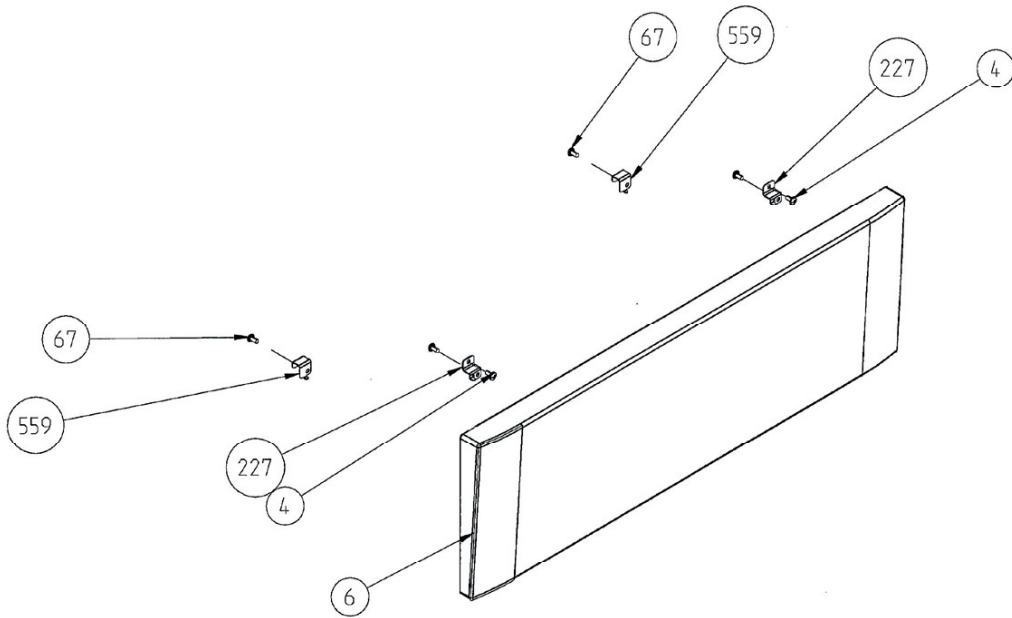


PUSH PULL FLAP DRAWER ASSEMBLY (OPTIONAL)

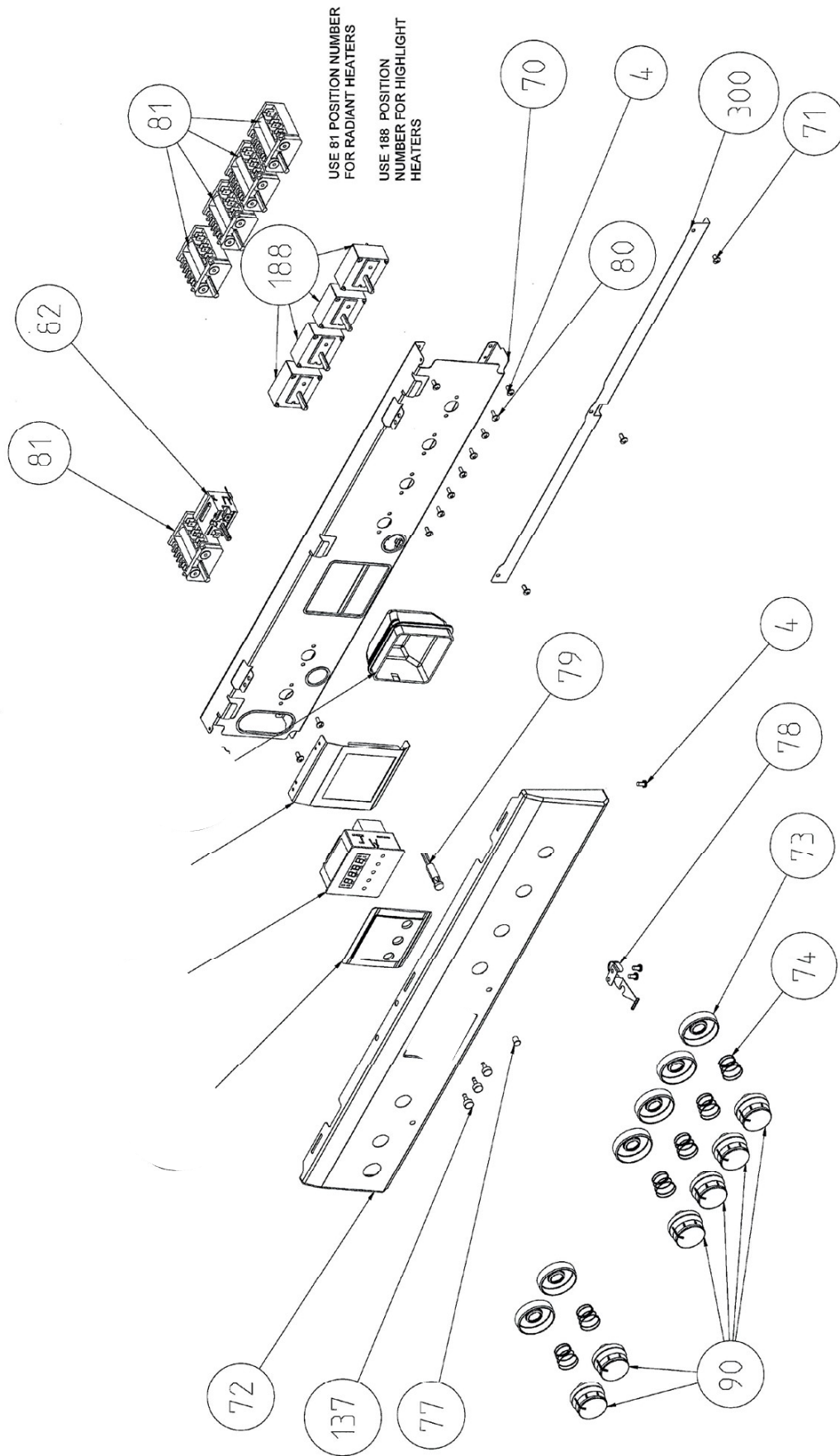


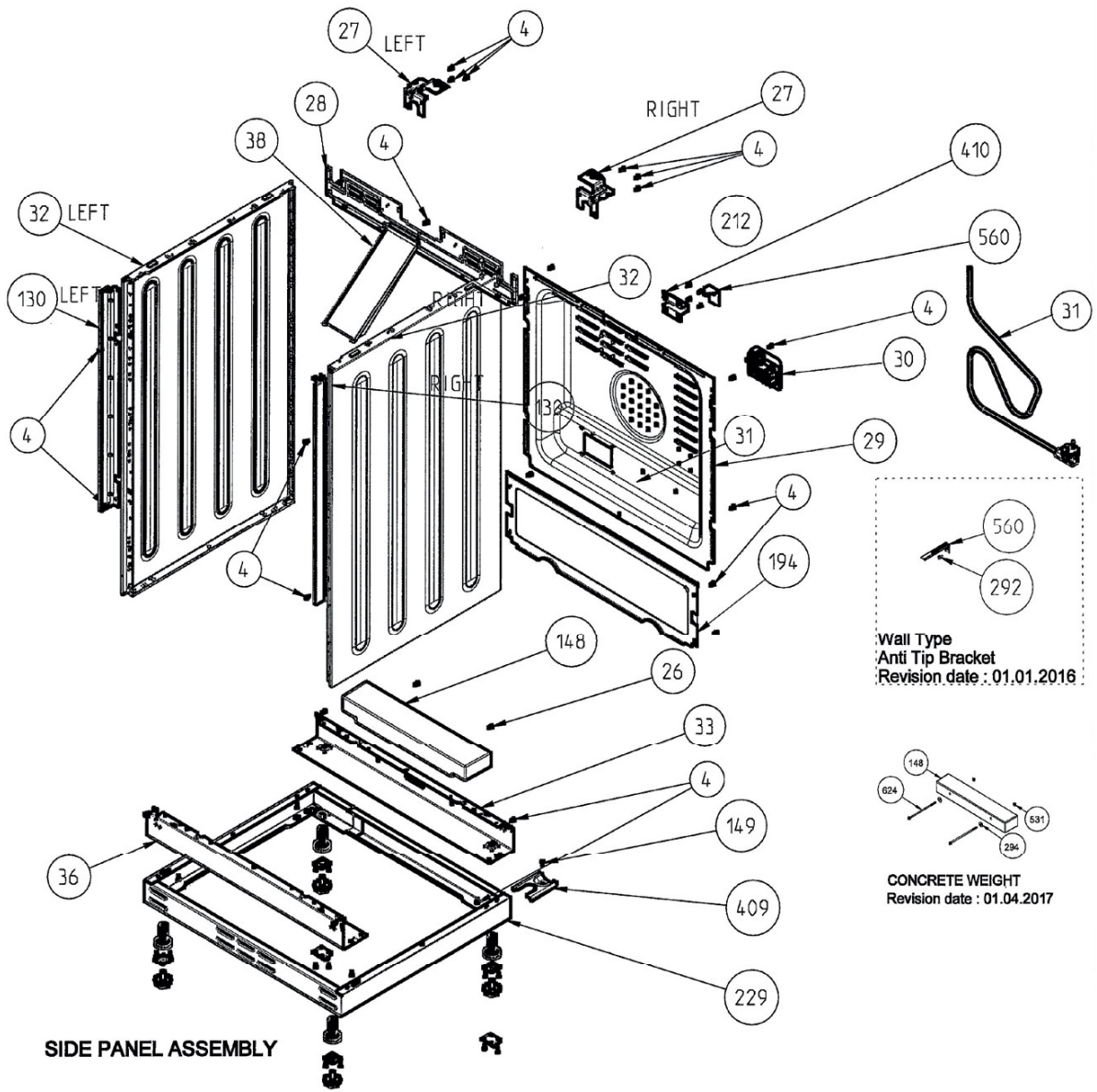


YNTB FLAP DRAWER ASSEMBLY

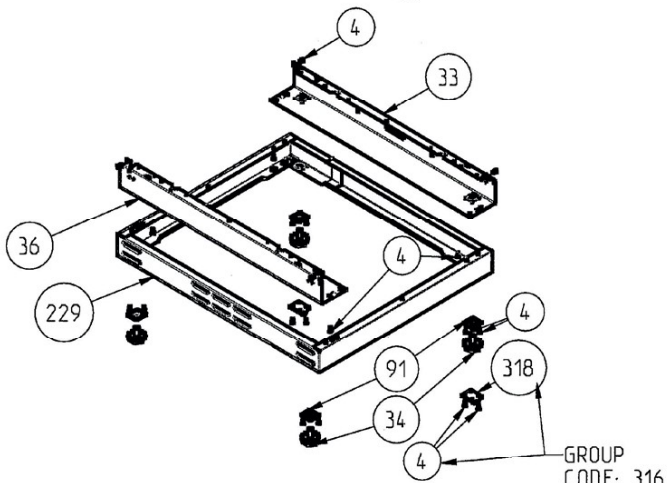


**FIXED DRAWER ASSEMBLY
(OPTIONAL)**

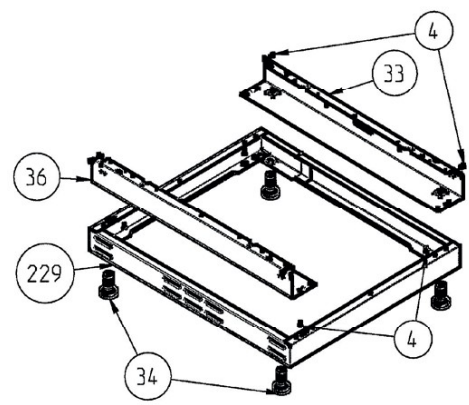




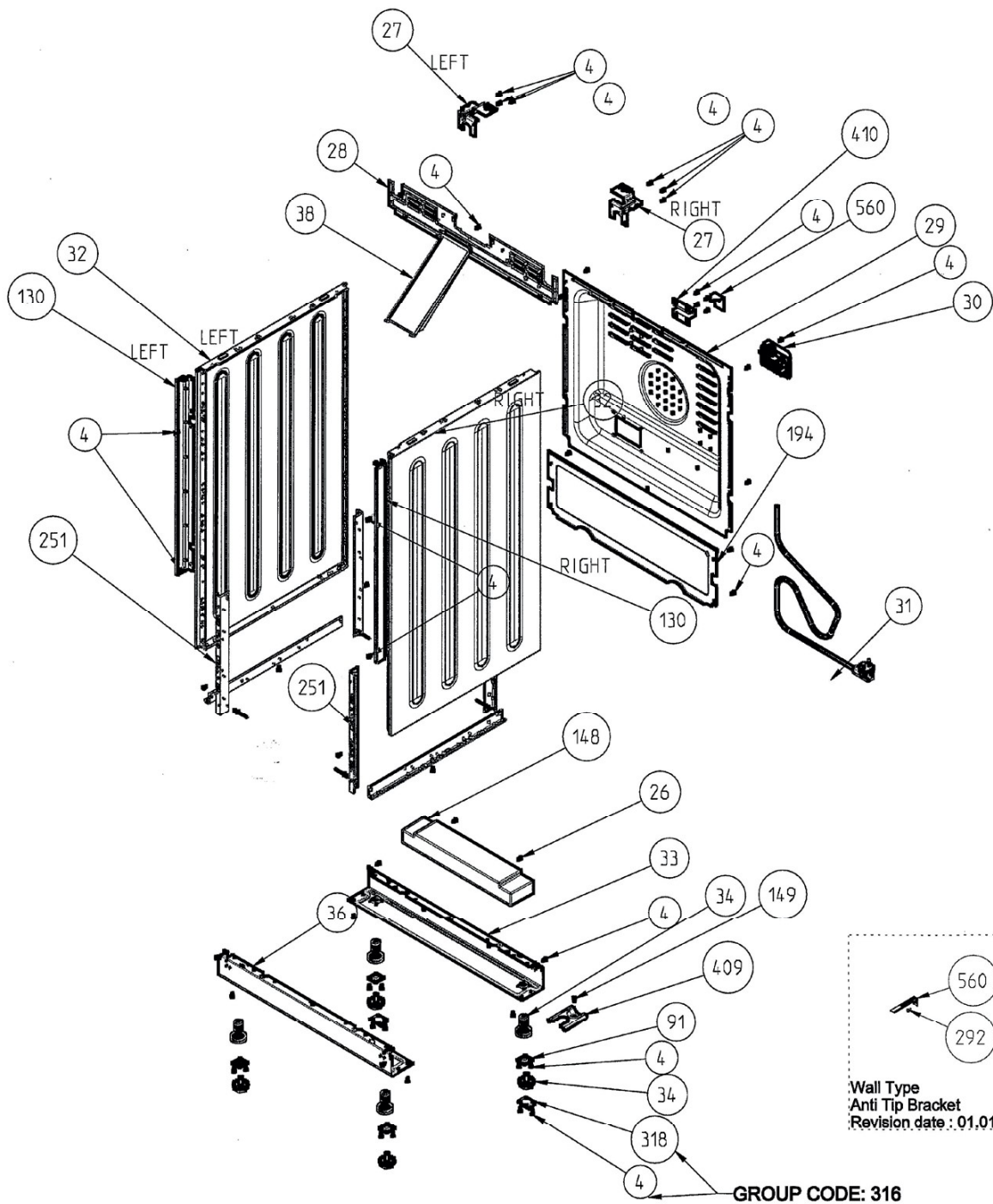
SIDE PANEL ASSEMBLY



METAL BOLT ADJUSTABLE LEG

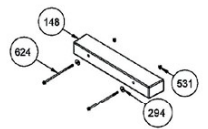


STANDARD PLASTIC ADJUSTABLE LEG



YNTB 85 CM SIDE PANEL ASSEMBLY

Wall Type
Anti Tip Bracket
Revision date : 01.01.2016



CONCRETE WEIGHT
Revision date : 01.04.2017

Liste des pièces détachées / Spare parts list

N° VUE	REFERENCE	DESIGNATION (FR)	DESIGNATION (ENG)
2	32049265	DOUILLE FOUR + AMPOULE 25W-G9-300°C	OVEN LAMP 230V 25W T300 N G9
4	37019096	VIS SUPPORT RESISTANCE SUPERIEUR	SCREW UPPER HEATING ELEMENT SUPPORT
4	37047802	VIS 3,9*12	SCREW,S,YTB,3,9X9,5,K,ST,A3S
6	22023043	FACADE SOUS FOUR , BLANC	WARMER DRAWER PANEL (NEW G,56,FLAT,WHITE
7	22255029	TOLE ARRIERE	REAR INSULATION COVER_55_3B
8	32052020	VOYANT CHALEUR RESIDUELLE	RESIDUAL HEAT INDICATOR LIGHT
12	37058703	SUPPORT CHARNIERE DROITE	HINGE COUNTERPART (50*60,50*50,RIGHT)
12	37058704	SUPPORT CHARNIERE GAUCHE	HINGE COUNTERPART (50*60,50*50,LEFT)
13	37002589	VIS	SCREW,M,YHB,4X8,F,ST,A3S
15	20757233	LECHEFRITE 465*385*40mm (noir profond)	TRAY (50*60,50*50, DEEP, BLACK)
15	20757234	LECHEFRITE 465*385*40mm (peu profond)	TRAY (50*60,50*50, SHALLOW, BLACK)
16	42275280	JOINT MOUFLE	DOOR GASKET
17	37052360	GRILLE FOUR	GRID
27	20725697	CORNIERE ARRIERE DROITE	CHASSIS BRACKET (NEW G,55,RIGHT)
27	20725698	CORNIERE ARRIERE GAUCHE	CHASSIS BRACKET (NEW G,55,LEFT)
28	20613047	TOLE ARRIERE SUPERIEURE	REAR TOP PANEL (50*60)
29	22111883	TOLE ARRIERE	REAR PANEL (56,ELECTRIC,V3)
30	32001517	BORNIER ALIMENTATION	TERMINAL BOX 41A KA 1/6 HOL
31	32008133	CABLE ALIMENTATION 3*2,5 1,1M	POWER CORD WIHTOUT PLUG 3G2,5 1,6M W
32	20613153	PANNEAU LATERAL BLANC GAUCHE OU DROIT	SIDE PANEL (LEFT-RIGHT WHITE)
33	37046821	PLINTHE ARRIERE	REAR KICKPLATE(56,0,6MM,DX51,V2)
34	42247316	PIED PLASTIQUE H=50mm	ADJUSTABLE FEET V2
36	20613212	PLINTHE AVANT	FRONT PLINTH (50*60,50*50,WHITE)
38	37025050	CONDUIT EVACUATION CHALEUR	FS CHIMNEY ASSEMBLY V2(50*50)
50	47019394	VITRE INTERIEURE	DOOR_FULL_INNER_GLASS_TIP7LD_56/55_LOWE,
51	37026148	VIS POIGNEE	SCREW,M,YSB,5X12,F,ST,A3S,BLCK
52	37051146	CHARNIERE PORTE	TYPE 7 DOOR COMPACT HINGE1
53	20614297	ENTRETOISE POIGNEE (FOUR)	HANDLE SPACER (OVEN)
54	22426713	VITRE EXTERIEURE	OUTER GLASS ASSEMBLY(TOP/STANDARD)
55	42217564	SUPPORT POIGNEE PORTE (FOUR)	HANDLE SUPPORT (WHITE)
56	37038440	POIGNEE PORTE BLANC + SUPPORT	HANDLE FLAT WHITE
70	20703025	SUPPORT BANDEAU	INNER PANEL(NEW G,56,4E,WITH/OUT MEC,TMR
72	22426709	BANDEAU	FRONT PANEL
73	42143203	DISQUE MANETTE BLANC	KNOB RING
74	37012495	RESSORT CONIQUE MANETTE	KNOB SPRING
77	32036146	CACHE VOYANT ROUGE	SIGNAL LAMP LENS RED 6MM ANEL
79	32005504	VOYANT + CABLES 170mm	SIGNAL LAMP 15X15CM BYR T MKR 250V ANL
80	37002003	VIS 4*6	SCREW,M,YTB,4X6,F,ST,A3B
81	32048489	COMMUTATEUR FOUR 3+0	SWITCH BUILT IN/FS HOTPLATE EGO
82	32046835	THERMOSTAT REGLABLE 285°C	CAP. THERMOSTAT 285C NGBI/FO/DO JIU
90	42142772	MANETTE BLANC	KNOB (EPSILON,MT8,WHITE)
110	32038521	RESISTANCE INFERIEURE 1100W	BOTTOM HEATING ELEMENT(50*50,230V 1100W)
111	20613033	TOLE SUPPORT RESISTANCE INFERIEURE	BOTTOM HEATING ELEMENT HOLDER
112	32049207	RESISTANCE SUPERIEURE 1200W	TOP HEATING ELEMENT 1200W
130	20705423	CORNIERE LATERALE DROITE BLANC	SIDE CLOSING PROFILE (RIGHT,WHITE)
130	20705424	CORNIERE LATERALE GAUCHE BLANC	SIDE CLOSING PROFILE (LEFT,WHITE)
148	47014979	LEST	CONCRETE WEIGHT (NEW G,6KG)
173	37002304	VIS	SCREW,S,YTB,3,9X13,K,ST,A3B
182	37001948	TOLE	BOTTOM COVER
184	32043077	RESISTANCE 1200W - 145MM	CERAN HL 145MM 230V 1200W J
184	32043078	RESISTANCE 1800W - 180mm	CERAN HL 180MM 230V 1800W J
188	32033019	COMMUTATEUR ENERGIE	ENERGY REGULATOR (230V, SINGLE ZONE) 50.
190	37006962	SUPPORT PLAQUE HL 145	HIGHLIGHT HEATING FIXING BRACKET ASSEMBL
194	20624045	TOLE ARRIERE	REAR BOTTOM LID
204	42017436	EMBOUT POIGNEE BLANC	HANDLE TAP (FLAT QUADRANT,WHITE)
218	37007773	VIS 3,9*7,5	SCREW,S,YHB,3,9X7,5,F,ST,A3S,BLCK

N° VUE	REFERENCE	DESIGNATION (FR)	DESIGNATION (ENG)
227	37012609	SUPPORT SUPERIEUR PORTE (SOUS FOUR)	FIXED DRAWER TOP BRACKET
237	42226665	PROFILSUPERIEUR PORTE	DOOR_PLASTIK_TOP_COVER
249	22426707	TAQUE BLANC VITRO	CERAN GLASS ASSEMBLY
292	37008902	VIS 3,9*32	SCREW,S,YSB,3,9X32,K,ST,A3B
294	37008751	RONDELLE SECURITE PORTE	WASHER(FLAT,ID6,15xOD18xT1mm)
300	33033172	CORNIERE NOIRE SOUS BANDEAU	BLACK CORNER SUBPANEL
302	37002007	VIS 5*10 METAL	SCREW,M,YSB,5X10,F,ST,A3B
329	42019954	RONDELLE + VIS	GRADUAL WASHER
385	37012990	CLIPS FIXATION TAQUE	FIXING CLIP
448	32031722	THERMOSTAT 200°C T1/33 250V-16A	LIMIT THERMOSTAT 200°C T1/33 250V-16A
479	37016061	SUPPORT BULBE THERMOSTAT ELECTRIQUE	THERMST BULB HOLDER(ELECTRIC,NEW)
531	37018880	ECROU M5	NUT.AKB,MS.C.FE.T
559	37012610	SUPPORT INFERIEUR PORTE (SOUS FOUR)	FIXED DRAWER BOTTOM BRACKET
560	37025687	SUPPORT ANTI BASCULEMENT (COTE MUR)	ANTI-TIP BRACKET (WALL TYPE)
641	42165188	FJOINT ENTRETOISE VITRE INTERIEURE	INNER GLASS STOPPER BUMPER(TYPE2/7 DOOR)
649	37028271	SUPPORT	ANK/DOTYPE-2,TYPE-4GLASS SUPPORT BRACKET
718	37039476	VIS 3,9*9,5 RONDELLE TOLE CATALYSE (FOND)	SCREW,S,YSB,3,9X13,K,ST,GEO,SYH,RONDELAL
	22280236	PROFIL SUPERIEUR PORTE	DOOR TOP COVER GROUP TIP7YT 56/55
	52002898	FRONT	FRONT
	37053316	CABLAGE	WIRING
	32035643	CABLAGE	WIRING
	20865908	CONDUIT EVACUATION CHALEUR + VIS	HEAT EXHAUST DUCT + SCREWS
	22280241	TAMPON VITRE INTERIEURE	INNER GLASS STOPPER BUMPER TYPE 7 DOOR
	37002590	SUPPORT ISOLATION ARRIERE	REAR INSULATION SUPPORT
	47013141	ISOLATION ARRIERE	REAR INSULATION
	20881372	ISOLATION MOUFLE	CAVITY INSULATION
	22280242	PROTECTION VITRE INTERIEURE	TYPE 7 DOOR TAPES (2 GLASSES)
C	47003651	PROTECTION	REMOVABLE GLASS TAPE

Toutes les informations, dessins, croquis et images dans ce document relèvent de la propriété exclusive de SOURCING & CREATION. SOURCING & CREATION se réserve tous les droits relatifs à ses marques, créations et informations. Toute copie ou reproduction, par quelque moyen que ce soit, sera jugée et considérée comme une contrefaçon.

All information, designs, drawings and pictures in this document are the property of SOURCING & CREATION. SOURCING & CREATION reserves all rights to its brands, designs and information. Any copy and reproduction through any means shall be deemed and considered as counterfeiting.