

essentiel 

Cuisinière / Stove

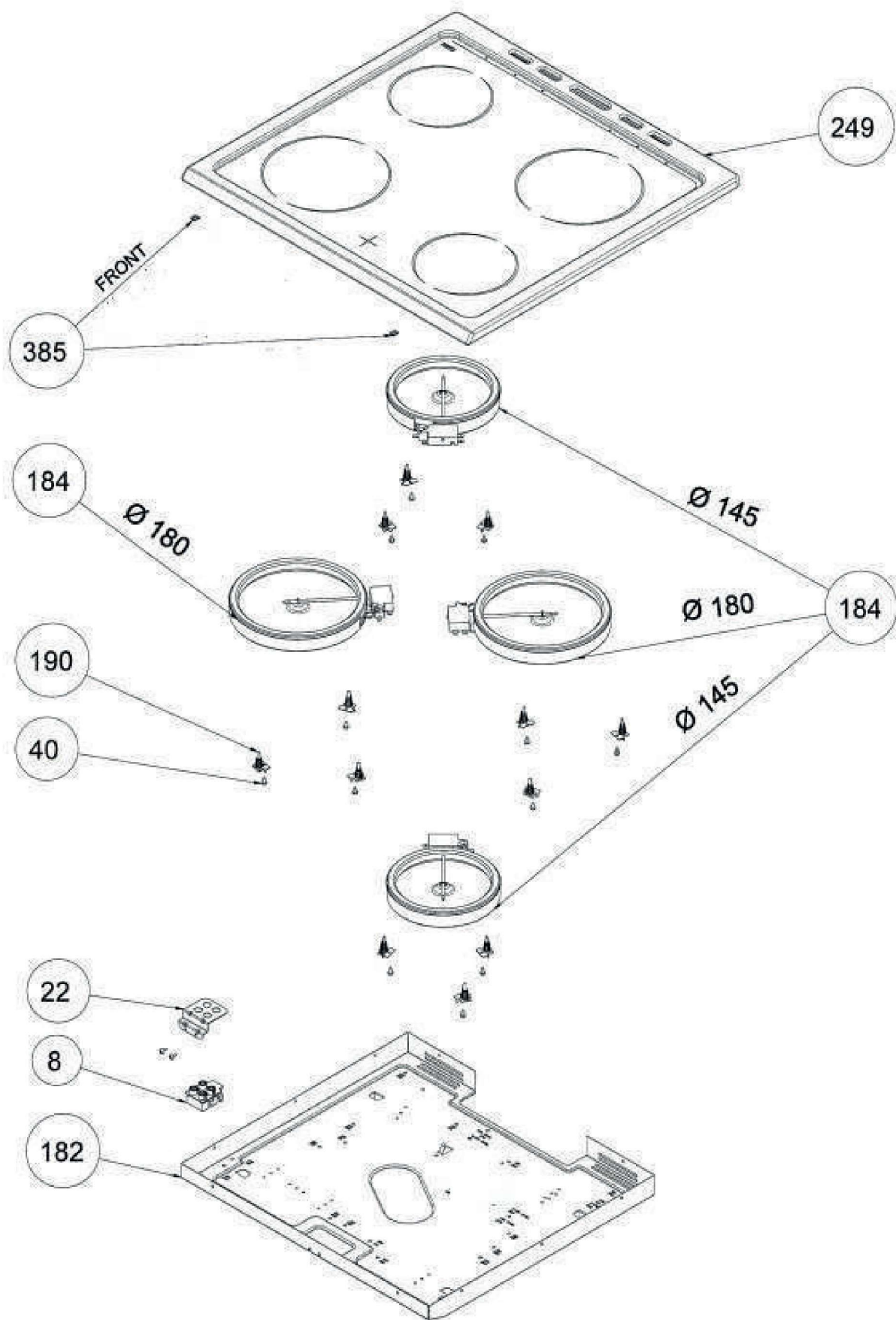
ECV606s

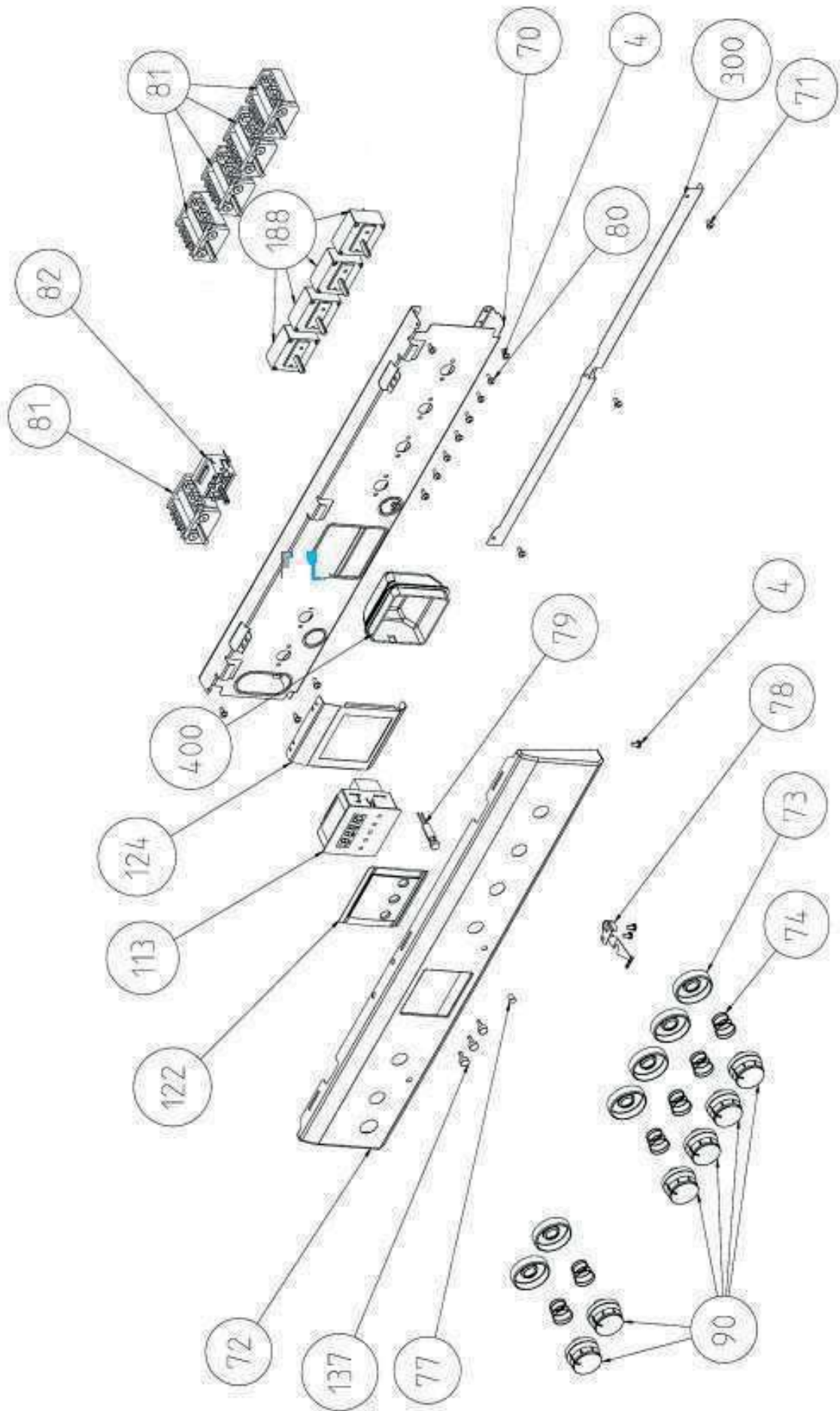


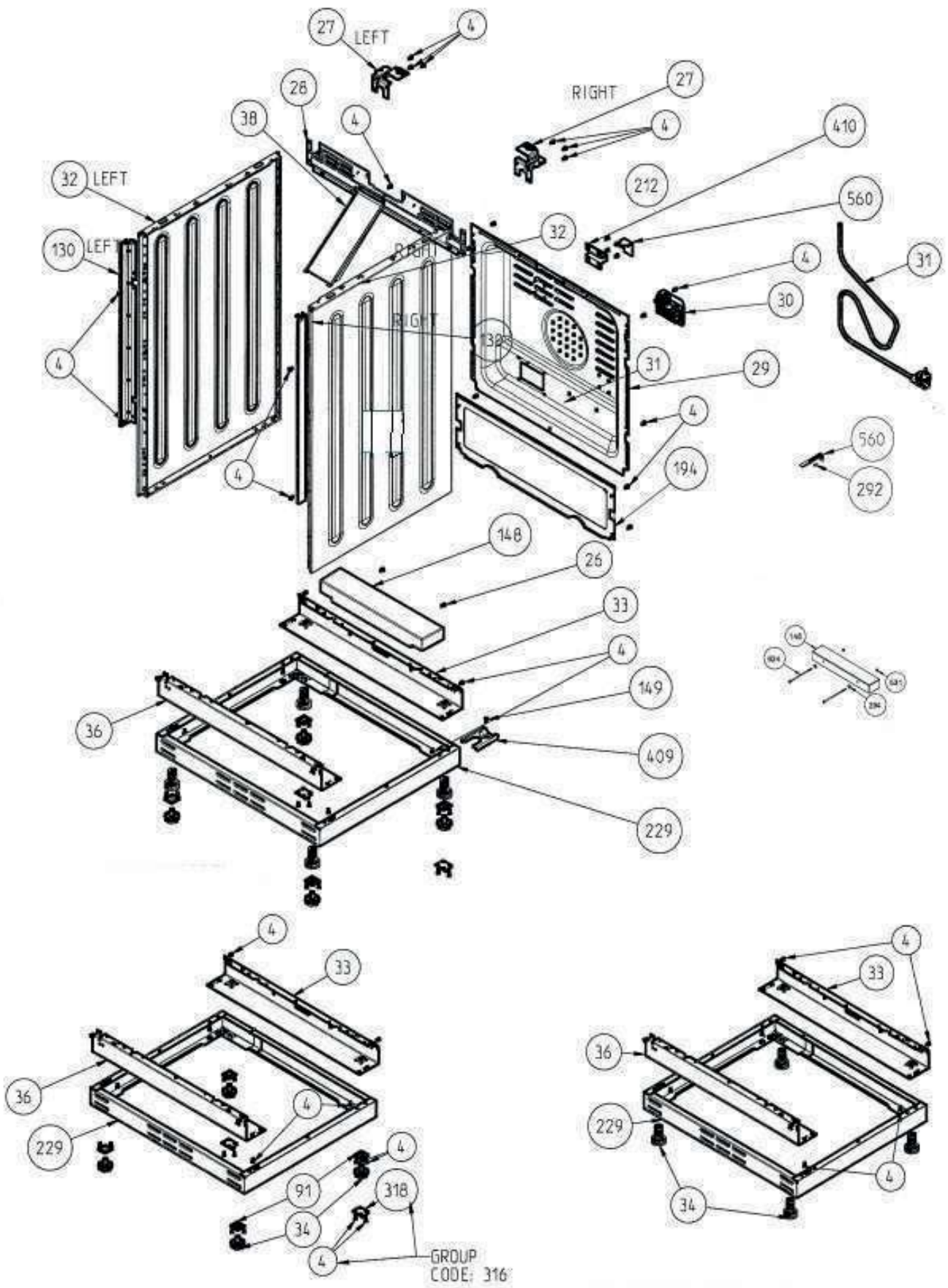
Vue éclatée / Exploded view

8011176

Vue éclatée / Exploded view







Liste des pièces détachées / Spare parts list

N° VUE	REF PIECE	DESIGNATION (FR)	DESIGNATION (ENG)
2	32049265	DOUILLE + AMPOULE + VERRE	COMPLETE LAMP
2A	32038255	AMPOULE 230V 25W T300 G9 JZH	LAMP 230V 25W T300 G9 JZH
4	37019096	VIS CONIQUE 9x9,5MM	SCREW,S,YTB,3.9X9.5,K,ST,A3S
6	22022516	FACADE SOUS FOUR	FACADE UNDER OVEN
7	22255029	COUVERCLE ISOLANT ARRIÈRE (65L)	REAR INSULATION COVER (65L)
8	32052020	VOYANT C (CHALEUR RESIDUELLE)	HOT SURFACE LIGHT 4LÛ TB 250V TCELL
9	32013533	MOTEUR CHALEUR TOURNANTE 26W	MOTOR FAN 230V H
10	20859898	MOUFLE DE FOUR	OVEN CAVITY
12	32058703	CONTREPARTIE CHARNIERE DROITE	HINGE COUNTERPART (65L, RIGHT)
12	32058704	CONTREPARTIE CHARNIERE GAUCHE	HINGE COUNTERPART (65L,LEFT)
13	37002589	VIS 4x8, F, ST	SCREW,M,YHB,4X8,F,ST,A3S
15	20757233	LECHE FRITES 38X46,5XCM	TRAY (65L, DEEP, BLACK)
15	20757234	LECHE FRITES 38X46,5X2CM	TRAY (65L, SHALLOW, BLACK)
16	42275280	JOINT DE PORTE	DOOR GASKET(N65,Y65,F,O TYPE)
17	37032903	GRILLE DE FOUR 465X380MM	GRID GEN2(65L/75L,WIRE SHELF)
19	20766762	COUVERCLE (VENTILATEUR)	FAN COVER(65-75L,NO TS,ETC-BLACK)
20	32041479	RESISTANCE CIRCULAIRE 230V-2000W	HEATER TURBO230V2000W S YFP
21	37033120	TURBINE VENTILATION	MOTOR FAN WITH 11 BLADE M
27	20725697	CORNIERE ARRIERE DROITE	CHASSIS BRACKET (RIGHT)
27	20725698	CORNIERE ARRIERE GAUCHE	CHASSIS BRACKET (LEFT)
28	20613047	PANNEAU SUPERIEUR ARRIERE	REAR TOP PANEL (60*60)
29	22111883	PANNEAU ARRIERE	REAR PANEL (66,ELECTRIC,V3)
30	32001517	BORNIER ALIMENTATION	TERMINAL BOX 41A KA 1/6 HOL
31	32009754	CABLE ALIMENTATION	POWER CORD WITHOUT PLUG 3G4 VV 1,6M W
32	20637592	PANNEAU LATERAL GAUCHE OU DROIT	SIDE PANEL (60*60,50*60, SILVER)
33	37046821	PLAQUE ARRIERE	REAR KICKPLATE(66,0.6MM,DX51,V2)
34	42247316	PIED REGLABLE	ADJUSTABLE FEET V2
36	20637594	PLINTHE AVANT	KICKER (FRONT, SILVER)
38	37025050	CHEMINEE ASSEMBLEE	CHIMNEY ASSEMBLY V2(56,66)
50	47019394	VITRE INTERIEURE	DOOR FULL INNER GLASS TIP7LD AN/66 LOWE,
51	37026148	VIS M5X12 (TETE CIRCULAIRE)	SCREW,M,YSB,5X12,F,ST,A3S,BLCK
52	37051145	CHARNIERE DE PORTE	OVEN DOOR HINGE
53	20614297	ENTRETOISE POIGNEE FOUR	OVEN HANDLE SPACER
54	22426705	VITRE EXTERIEUR ASSEMBLE	OUTER GLASS ASSEMBLY(TOP/STANDARD)
56	37022684	POIGNEE INOX	VERO HANDLE S2 (INOX,KA;420,DP)
70	20654237	PANNEAU INTERIEUR	INNER PANEL(Y66,LE,4E,FE,DT)
72	22426701	FACADE AVANT	FRONT PANEL
73	42143203	COLLERETTE BLANCHE	KNOB RING WHITE
73	42143206	DISQUE MANETTE GRIS INOX	KNOB RING (OMEGA/EPSILON V2,WH INOX)
74	37012495	RESSORT MANETTE	KNOB SPRING
77	32036146	CACHE VOYANT (ROUGE)	SIGNAL LAMP LENS RED 6MM ANEL
79	32005504	VOYANT	SIGNAL LAMP 15X15CM BYR T MKR 250V ANL
81	32009169	COMMUTATEUR FOUR	SWITCH 09/19 ANK/TB E
82	32046835	THERMOSTAT 285C	CAP. THERMOSTAT 285C NGBI/FO/DO JIU
90	42287170	BOUTON	KNOB (MURIA RING,MT8,WH INOX)
91	37028756	ECROU M6	M6 LEFT HAND NUT
110	32038521	RESISTANCE SOLE 230V-1100W (390X320MM)	HEATER 66TOP230V1100W SAHTERM
111	20613033	TOLE SUPPORT RESISTANCE INFERIEURE	BOTTOM HEATING ELEMENT HOLDER
112	32045764	RESISTANCE SUPERIEURE 230V-1400 +1200W	HEATER 66UP+GRIL230V1200+1400W65L S BR
113	32055276	MINUTEUR	ND TIMER DIJ FULL WHT TC TPB

N° VUE	REF PIECE	DESIGNATION (FR)	DESIGNATION (ENG)
122	42207817	LENTILLE	SR.LENS GR 42183645
130	20711605	PROFILE DROIT (ARGENT)	SIDE CLOSING PROFILE (RIGHT,SILVER)
130	20711607	PROFILE GAUCHE (ARGENT)	SIDE CLOSING PROFILE (LEFT,SILVER)
144	20811430	PANNEAU CATALYTIQUE DROIT	CATALITIC RACK PANEL (RIGHT,NEW CAVITY)
148	22074097	POIDS EN BETON 1KG	CONCRETE WEIGHT GROUP (1 KG)
173	37002304	VIS 3,9X13	SCREW,S,YTB,3.9X13,K,ST,A3B
182	37001948	COUVERCLE INFERIEUR (TABLE VITROCERAMIQUE)	VITROCERAMIC HOB BOTTOM COVER(FS, 60*60)
184	32043077	FOYER RADIANT 230V-1200W DIAM 145MM	CERAN HL 145MM 230V 1200W J
184	32043078	FOYER RADIANT 230V-1800W DIAM 180MM	CERAN HL 180MM 230V 1800W J
188	32033019	REGULATEUR DOSEUR D'ENERGIE	ENERGY REGULATOR (230V, SINGLE ZONE) 50.
190	37006962	PLAQUE DE FIXATION	HIGHLIGHT HEATING FIXING BRACKET ASSEMBLY
194	20624045	PANNEAU INFERIEUR ARRIERE	REAR BOTTOM PANEL (60*60)
211	42016770	JOINT DE POIGNEE	HANDLE SEAL
218	37007773	VIS 3,9X7,5	SCREW,S,YHB,3.9X7.5,F,ST,A3S,BLCK
227	37012609	SUPPORT PORTE (SOUS FOUR)	FIXED DRAWER TOP BRACKET
237	42226665	DEFLECTEUR DE PORTE	DOOR PLASTIK TOP COVER
249	22426669	PLAQUE VERRE CERAMIQUE	CERAN GLASS ASSEMBLY
252	37006985	ATTACHE	WIRE SHELF FIXING CLIP
253	37032905	GRILLE LATERALE DROITE OU GAUCHE	WIRE SHELF GEN2(65LT,7R)
292	37008902	V 3,9X32	SCREW,S,YSB,3.9X32,K,ST,A3B
300	37033172	CORNIERE NOIRE	KNIFE BARIER (BLACK)
329	42019954	RONDELLE	GRADUAL WASHER
385	37012990	CLIPS FIXATION	ENAMEL CLIPS
448	32031722	THERMOSTAT NC 200°C-250V-16A	LIMIT THERMOSTAT NC 200C 250V 16A T
479	37016061	SUPPORT BULBE (THERMOSTAT)	THERMST BULB HOLDER(ELECTRIC,NEW)
521	32023787	PORTE-CÂBLE RECTANGULAIRE 19X28MM	CABLE HOLDER RECTANGLE 19X28MM
531	37018880	ECROU M5 (A BRIDE)	NUT.AKB.MS.C.FE.T
559	37012610	SUPPORT PORTE (SOUS FOUR)	FIXED DRAWER BOTTOM BRACKET
560	37025687	SUPPORT ANTI-BASCULEMENT (TYPE MURAL)	ANTI-TIP BRACKET (WALL TYPE)
608	37024382	SUPPORT LIMITEUR	LIMITER BRACKET WITH SCREWING
624	37029180	BOULON M5X77	BOLT,AKB,M5x77,AA8,A3K
641	42165188	BOUCHON CAOUTCHOUC (VITRE INTERIEURE)	INNER GLASS STOPPER BUMPER(TYPE2/7 DOOR)
649	37028271	SUPPORT DE VERRE	ANK/DOTYPE-2,TYPE-4GLASS SUPPORT BRACKET
C	47003651	BANDE ADHESIVE	REMOVABLE GLASS TAPE

Toutes les informations, dessins, croquis et images dans ce document relèvent de la propriété exclusive de SOURCING & CREATION. SOURCING & CREATION se réserve tous les droits relatifs à ses marques, créations et informations. Toute copie ou reproduction, par quelque moyen que ce soit, sera jugée et considérée comme une contrefaçon.

All information, designs, drawings and pictures in this document are the property of SOURCING & CREATION. SOURCING & CREATION reserves all rights to its brands, designs and information. Any copy and reproduction through any means shall be deemed and considered as counterfeiting.