

essentiel 

Four / Oven

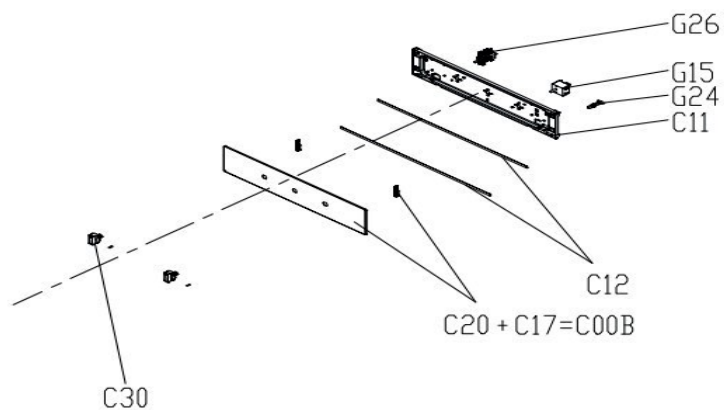
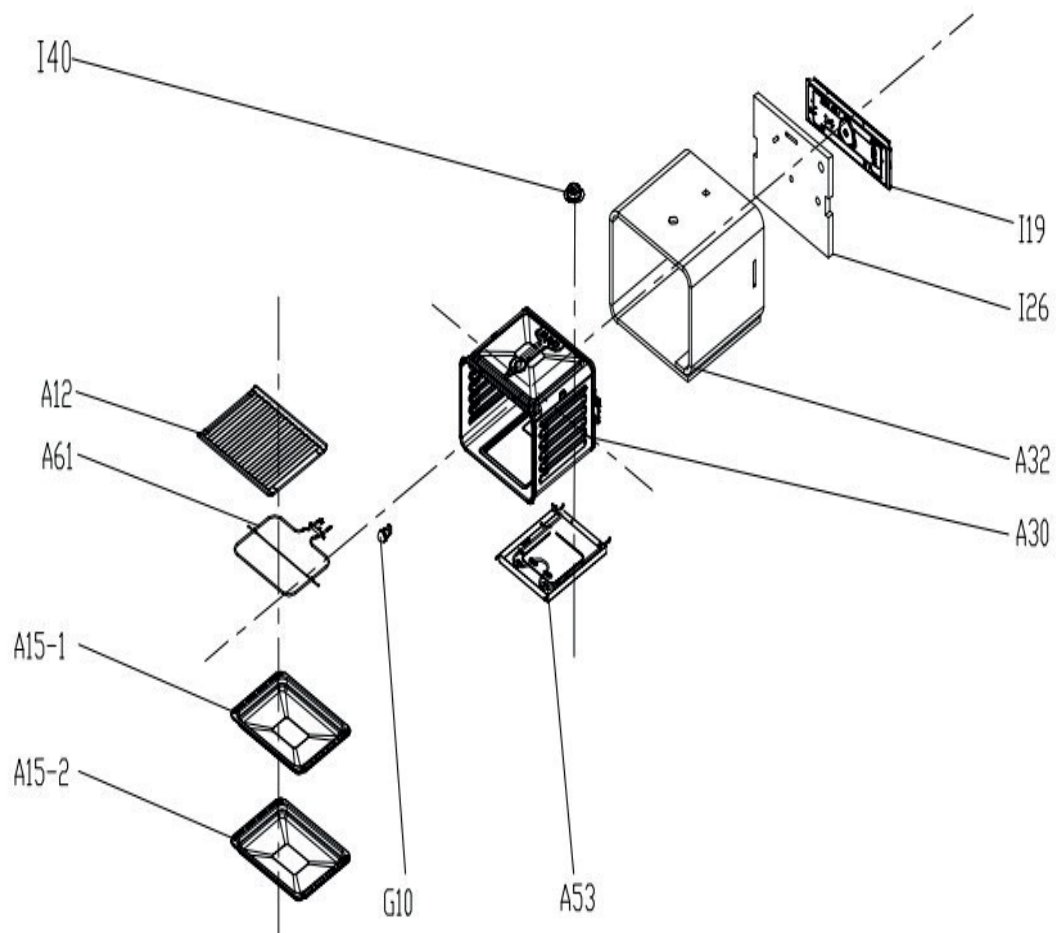
LFCE70N3

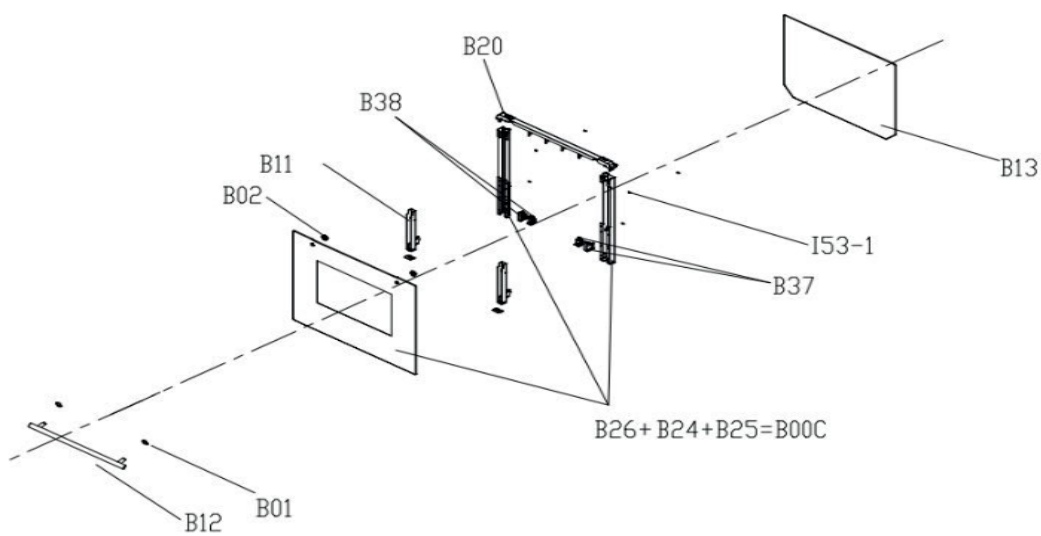
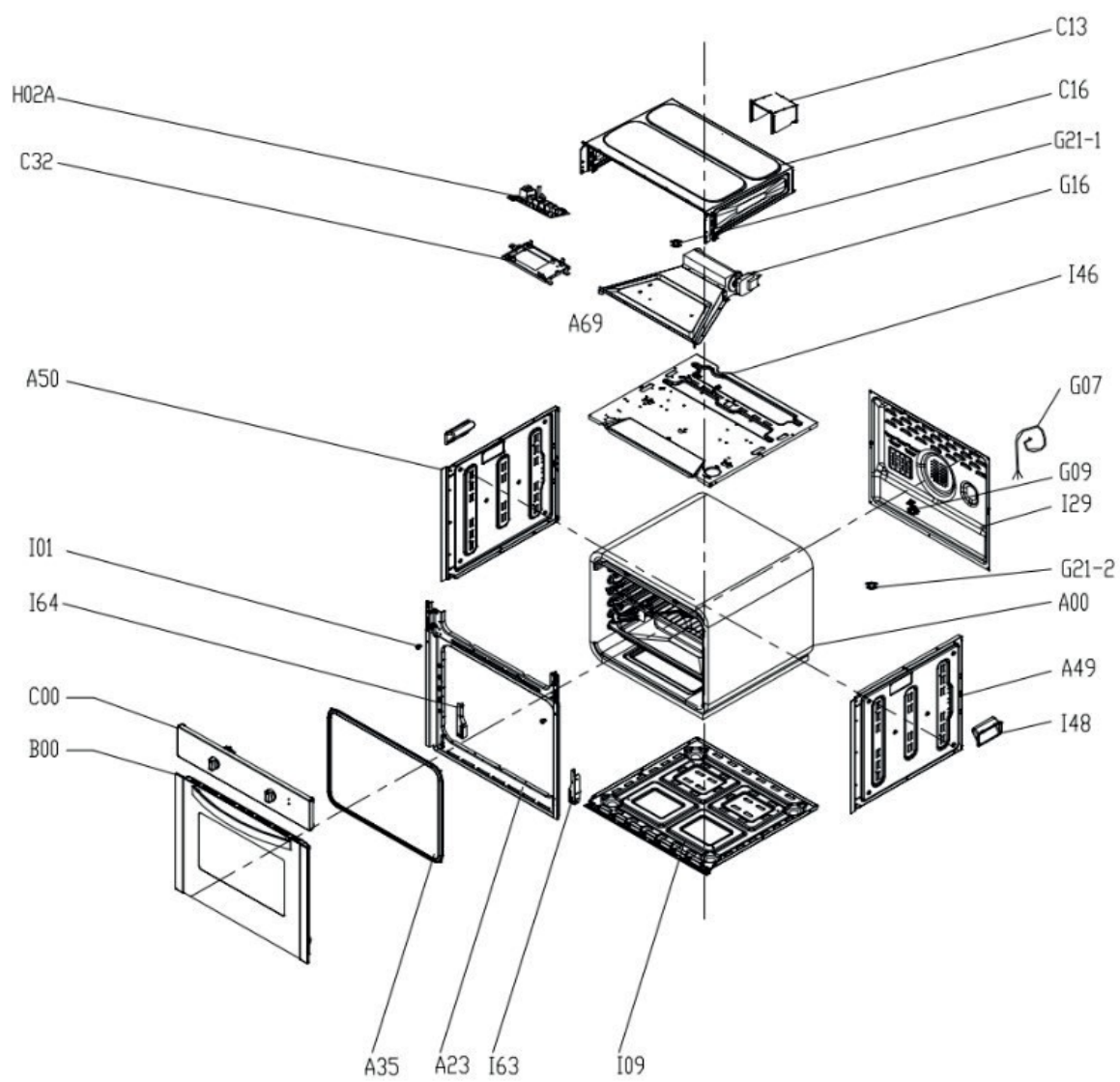


**Vue éclatée / Exploded view**

8011283

# Vue éclatée / Exploded view





# Liste des pièces détachées / Spare parts list

N° VUE	REFERENCE	DESIGNATION (FR)	DESIGNATION (ENG)	CODE
A12	9019322	GRILLE	Bake Rack	12971100A75003
A15-1	9019152	LECHE FRITE	Grill Tray	12271100A24953
A23	9019323	CONTOUR AVANT (CAVITE)	Front Plate	12271100001474
A30	N/A	NON COMMANDABLE	NOT AVAILABLE	12271100010696
A32	9019324	ISOLANT (CAVITE) 1805x472x30MM	Cavity insulation Cotton	12471100000049
A35	9019154	JOINT (CAVITE)	Seal Ring	12671100000394
A49	9019325	PANNEAU LATERAL DROIT	Right Cover	12271100014305
A50	9019326	PANNEAU LATERAL GAUCHE	Left Cover	12271100014306
A53	9019327	RESISTANCE SOLE + SUPPORT 230V 1100W	Metal Heater 230V 1100W	17471100001480
A61	9019328	RESISTANCE GRILL 230V 950W	Metal Heater 230V 950W	17471100000575
A69	9019329	GUIDE AIR	Other Hardware	12971100016237
C13	9019330	COUVERCLE ARRIERE (PANNEAU COMMANDE)	Control Panel Back Cover	12271100005023
C16	9019331	COUVERCLE SUPERIEUR (PANNEAU COMMANDE)	Control Panel Cover	12271100005021
C32	9019172	SUPPORT (CARTE ALIMENTATION)	Power Board Bracket	12171100003423
G07	9019332	CABLE ALIMENTATION 250V 16A	Power Cord 250V 16A	17471100000108
G09	9019333	BOITIER DERIVATION	Terminal Block	17471100004383
G10	9019162	LAMPE	Integrated Lamp	17471100002113
G16	9019334	VENTILATEUR TANGENTIEL 220-240V 13W	Fan Assembly 220-240V 13W	17471100000145
G21-1	9019195	THERMOSTAT T1/11 55°C	Thermostat T1/11 55°C	17471100002795
G21-2	9019164	THERMOSTAT T1/33 250°C	Thermostat T1/33 250°C	17471100002796
G22	9019335	FILERIE	Main Wire Harness	17471100003804
H02A	9019336	CARTE PUISSANCE GAUCHE	Power Board	17171100002763
I01	9019337	DECO (PANNEAU PORTE)	Other Hardware	12971100001049
I09	9019338	PANNEAU INFRIEUR	Bottom Cover	12271100010545
I19	9019339	TRAVERSE ARRIERE	Support Plate	12271100005013
I26	9019340	ISOLANT ARRIERE (CAVITE) 487x384x30MM	Back Insulation Cotton 487x384x30MM	12471100000033
I29	9019341	PANNEAU ARRIERE	Back Cover	12271100005233
I40	9019342	TUBE EVACUATION AIR	Vent Pipe	12271100010565
I46	9019343	PANNEAU SUPERIEUR	Upper Cover	12271100010547
I63	9019344	LOGEMENT (CHARNIERE) DROITE	Hinge Bracket	12971100000470
I64	9019345	LOGEMENT (CHARNIERE) GAUCHE	Hinge Bracket	12971100000534
B00	9019346	PORTE	Door Assembly	12571100A25187 +12571100A32429
B11	9019347	CHARNIERE (PORTE)	Door Hinge Assembly	12971100020574
B02	9019174	FIXATION (POIGNEE)	Handle Holder	12171100000172
B12	9019348	POIGNEE	Door Handle	12971100000997
B01	9019349	JOINT (SUPPORT POIGNEE)	Handle Gasket	12671100000012
B20	9019350	DEFLECTEUR (PORTE)	Door Frame Upper Cover	12171100005039
B13	N/A	COMMANDER B00	ORDER B00	12571100A12509
B38	9019351	SUPPORT ROTATIF (PORTE) GAUCHE	Door Rotating Bracket	12171100001414
B37	9019352	SUPPORT ROTATIF (PORTE) DROIT	Door Rotating Bracket	12171100001415
I53	9019182	PATIN CAOUTCHOUC	Rubber Gasket	12671100000096
C00	9019353	BANDEAU COMMANDE	Control Panel Assembly	12971100A86543 +12971100A92107
C11	N/A	COMMANDER C00	ORDER C00	12271100000501
G26	9019354	INTERRUPTEUR (BOUTON MARCHE/ARRET)	Switch On-Off	17471100007113
C30	9019355	BOUTON	Knob	12171100000616
C12	9019356	JOINT ANTI VAPEUR (PANNEAU COMMANDE)	Sponge	12471100000054
G24	9019198	VOYANT	Indicator Lamp	17471100000213
G15	9019194	THERMOSTAT+SONDE 250V 16A WYII260A-E	Inflatable Thermostat 250V 16A WYII260A-E	17471100001673
C00B	9019357	CARTE CONTROLE	Control Panel Drop Glue Assembly	12971100A72425

Toutes les informations, dessins, croquis et images dans ce document relèvent de la propriété exclusive de SOURCING & CREATION. SOURCING & CREATION se réserve tous les droits relatifs à ses marques, créations et informations. Toute copie ou reproduction, par quelque moyen que ce soit, sera jugée et considérée comme une contrefaçon.

All information, designs, drawings and pictures in this document are the property of SOURCING & CREATION. SOURCING & CREATION reserves all rights to its brands, designs and information. Any copy and reproduction through any means shall be deemed and considered as counterfeiting.