

essentiel 

Lave-linge / Washing machine

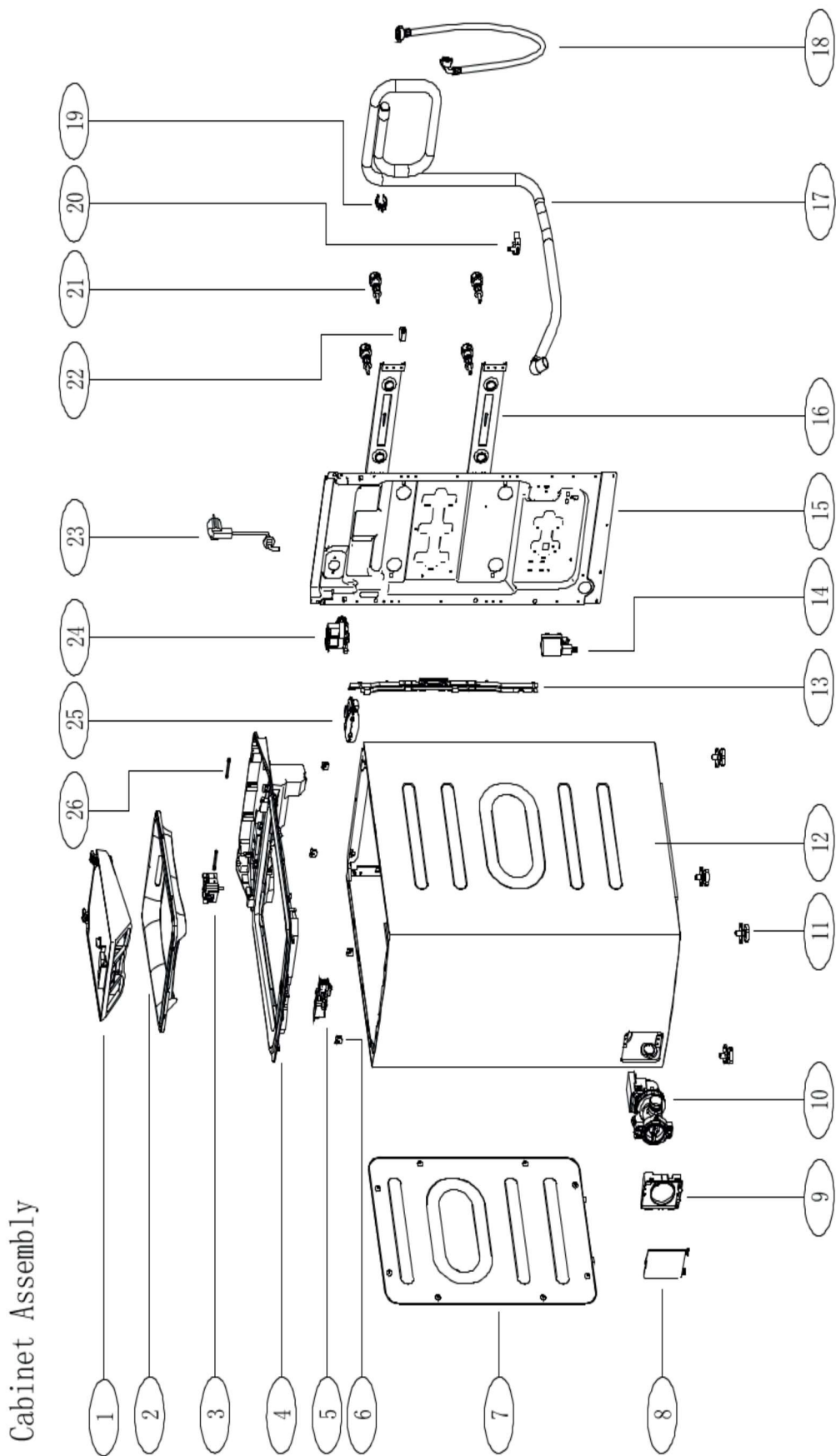
LT612L1b



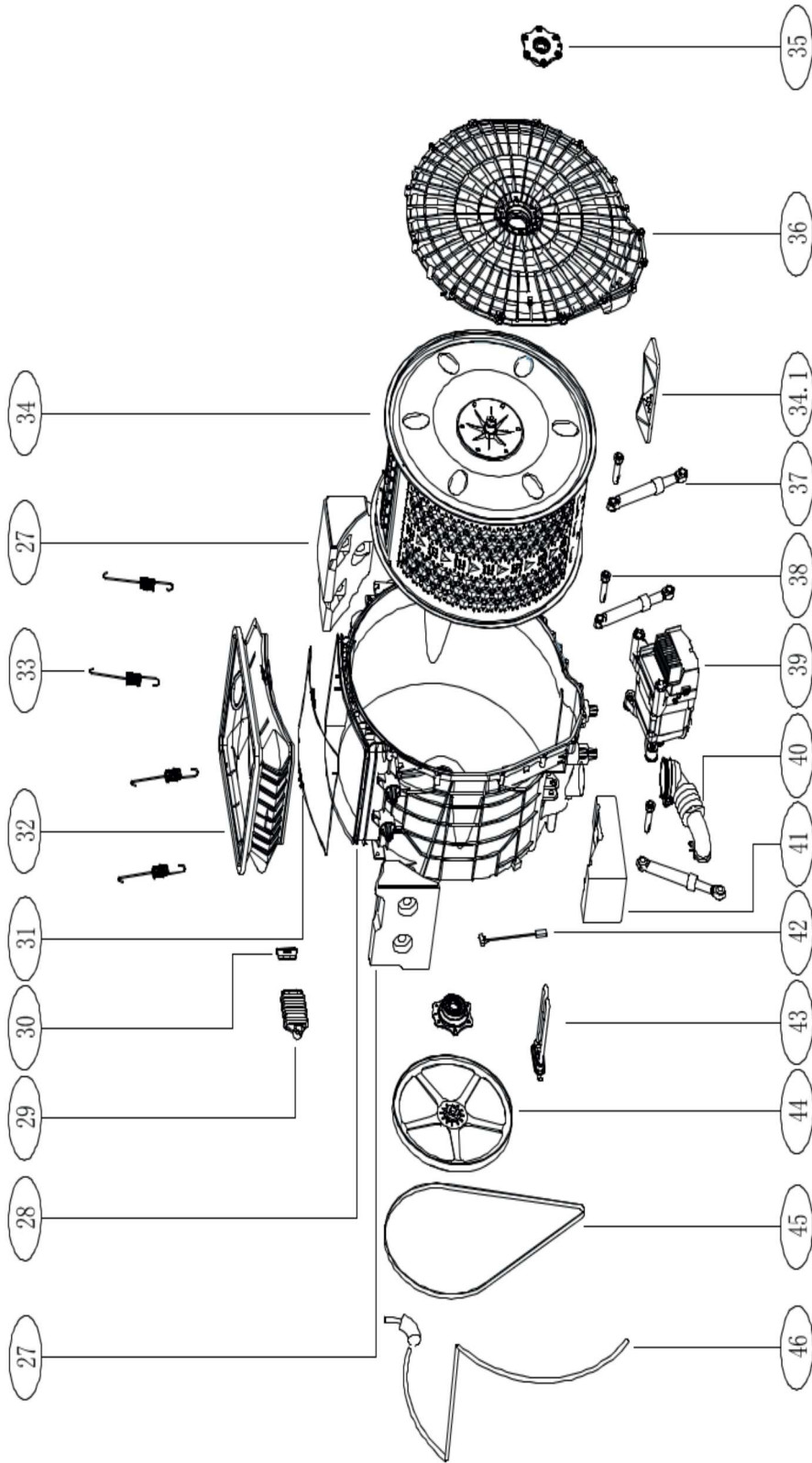
**Vue éclatée / Exploded view**

8011570

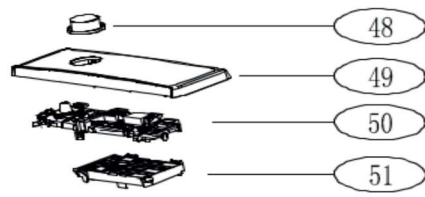
# Vue éclatée / Exploded view



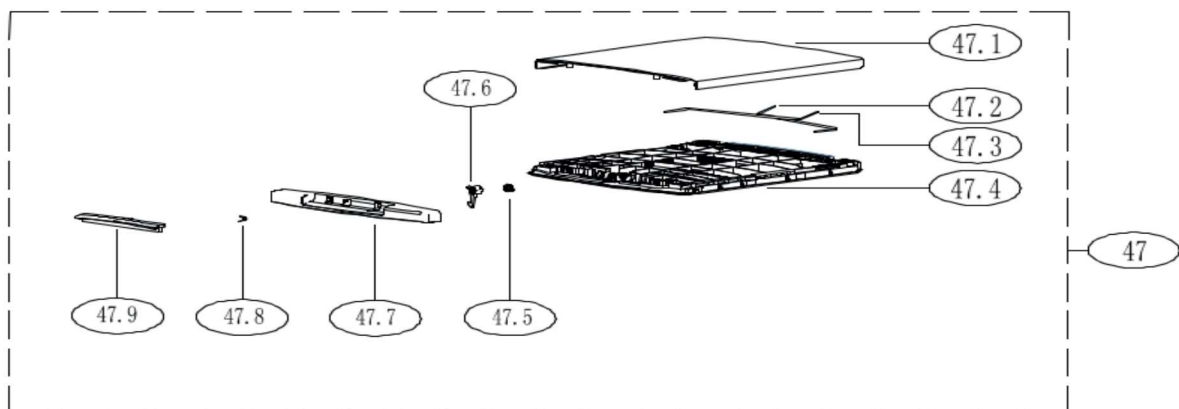
# Tub Assembly



## Control Panel Assembly



## Door Subassembly



# Liste des pièces détachées / Spare parts list

N° VUE	REFERENCE	DESIGNATION (FR)	DESIGNATION (ENG)	code fournisseur
1	9018081	BOITE A PRODUIT	Dispenser Subassembly	1,21381E+13
2	9018080	CADRE INTERIEUR DE PORTE (CAPOT-TOP)	Inner Ring	1,21381E+13
3	9018128	PRESSOSTAT PS-603-13	Water Level Sensor	1,74381E+13
4	9018079	COFFRET INTERIEUR	Top Cover	1,2138E+13
5	9018078	VERROUILLAGE PORTE (CAPOT-TOP)	Door Lock	1,74381E+13
6	9019013	SUPPORT (RESSORT)	Spring Support	1,21381E+13
7	9027006	PANNEAU LATERAL	Side Plate	1,22382E+13
8	9018107	CACHE (FILTRE)	Lint Filter Door	1,21381E+13
9	9018106	BOITIER (FILTRE)	Service Plate Box	1,21381E+13
10	9018121	POMPE VIDANGE 30W TP-65-25-2-39L	Permanent Magnet Synchronous Pump	1,1001E+13
11	9018105	PIED AJUSTABLE	Adjustable Foot Assembly	1,26381E+13
12	N/A	NON DISPONIBLE	NOT AVAILABLE	1,22381E+13
13	9019217	FILERIE	Wire Assembly	1,74381E+13
14	9018104	FILTRE ANTIPARASITE FC86-B-25012-4	Electric Filter Assembly	1,74381E+13
15	9018098	PANNEAU ARRIERE	Rear Cover	1,22381E+13
16	9018099	BRIDE FIXATION (PANNEAU ARRIERE)	Shipping Bracket	1,63381E+13
17	9018100	TUYAU VIDANGE	Drain Hose Assembly	1,21381E+13
18	9026899	TUYAU ARRIVEE EAU 1.5M	Water Inlet Pipe Assembly	1,20381E+13
19	9018102	SUPPORT (TUYAU VIDANGE)	Drain Hose Support	1,21381E+13
20	9026902	SUPPORT (TUYAU VIDANGE)	Drain Hose Support	1,21381E+13
21	9026897	SECURITE TRANSPORT	Shipping Screw Assembly	1,29381E+13
22	9018101	COLLIER SERRAGE (TUYAU VIDANGE)	Drain Hose Catch	1,21381E+13
23	9019003	CABLE ALIMENTATION H05VVF3 1.5M	European Standard Power Cord	1,74381E+13
24	9018127	ELECTROVANNE 220-240V 50/60Hz 8L/min	Water Inlet Valve	1,74381E+13
25	9018097	DISTRIBUTEUR EAU	Nozzle Assembly	1,2138E+13
26	9018092	GOUPILLE VERROUILLAGE	Lock Pin	1,2138E+13
27	9018114	CONTREPOIDS X2	Counterweight Assembly	1,27381E+13
28	9018111	DEMI CUVE ARRIERE + ROULEMENT	Rear Tub Assembly	12138100A39441
29	9018112	DURITE (CUVE)	Pipe Assembly	1,26381E+13
30	9027007	FIXATION	Fixed Seat	1,2138E+13
31	9018110	COLLIER (RESSORT CUVE)	Clamp	1,29001E+13
32	9018109	JOINT PORTE (CAPOT-TOP) MFE80-T1313B	Door Gasket	1,26381E+13
33	9018108	RESSORT (CUVE)	Suspension Spring	1,29001E+13
34	9019218	TAMBOUR	Basket Assembly	1,22381E+13
34.1	9027008	AUBE	Baffle	1,21381E+13
35	9019219	BLOC (ROULEMENT)	Bearing Block Assembly	1,23381E+13
36	9018115	FLASQUE (CUVE)	Front Tub	1,21381E+13
37	9018117	AMORTISSEUR 80 NEWTON	Damper	1,29381E+13
38	9019046	AXE (PARE CHOC AMORTISSEUR)	Damper Pin	1,21381E+13
39	9019220	MOTEUR UNIVERSEL HXG-138-50-64L	Universal Motor	1,1002E+13
40	9018119	DURITE CUVE/POMPE	Tub Drain Hose Assembly	1,26381E+13
41	9018120	MASSE INFERIEURE	Lower Counterweight	1,27381E+13
42	9018124	INTERRUPTEUR MAGNETIQUE	Magnetic Cover Switch	1,7438E+13
43	9018122	RESISTANCE 1800W + CTN 4.8K 230V	Heater	1,74381E+13
44	9018125	POULIE	Assembly	1,23381E+13
45	9018126	COURROIE POLY V 5PJE1281	Belt	1,26381E+13
46	9018123	TUYAU PRESSOSTAT	Air Pipe Assembly	1,26381E+13
47	9019586	PORTE (CAPOT-TOP)	Door Hardware	1,22381E+13
47.1	N/A	NON DISPONIBLE / COMMANDER N° 47	NOT AVAILABLE / ORDER PART N°47	1,22381E+13
47.2	NPR	NE PAS REFERENCER	Spring	1,29001E+13
47.3	NPR	NE PAS REFERENCER	Spring	1,29001E+13
47.4	NPR	NE PAS REFERENCER	Plate	1,21381E+13

N° VUE	REFERENCE	DESIGNATION (FR)	DESIGNATION (ENG)	code fournisseur
47.5	NPR	NE PAS REFERENCER	Spring	1,29001E+13
47.6	NPR	NE PAS REFERENCER	Door Latch	1,21381E+13
47.7	NPR	NE PAS REFERENCER	Decorative Plate	1,21381E+13
47.8	NPR	NE PAS REFERENCER	Spring	1,29001E+13
47.9	NPR	NE PAS REFERENCER	Door Handle	1,21381E+13
48	9027009	BOUTON PROGRAMME	Cycle Select Knob Assembly	12138100A52049
49	9027010	BANDEAU COMMANDE	Control Panel Subassembly	12138100A59990
50	9019216	AFFICHEUR	Display Panel	1,71381E+13
51	9027011	CARTE CONTROLE	PCB	1,71381E+13

Toutes les informations, dessins, croquis et images dans ce document relèvent de la propriété exclusive de SOURCING & CREATION. SOURCING & CREATION se réserve tous les droits relatifs à ses marques, créations et informations. Toute copie ou reproduction, par quelque moyen que ce soit, sera jugée et considérée comme une contrefaçon.

All information, designs, drawings and pictures in this document are the property of SOURCING & CREATION. SOURCING & CREATION reserves all rights to its brands, designs and information. Any copy and reproduction through any means shall be deemed and considered as counterfeiting.