

essentiel 

Lave linge / Washing machine

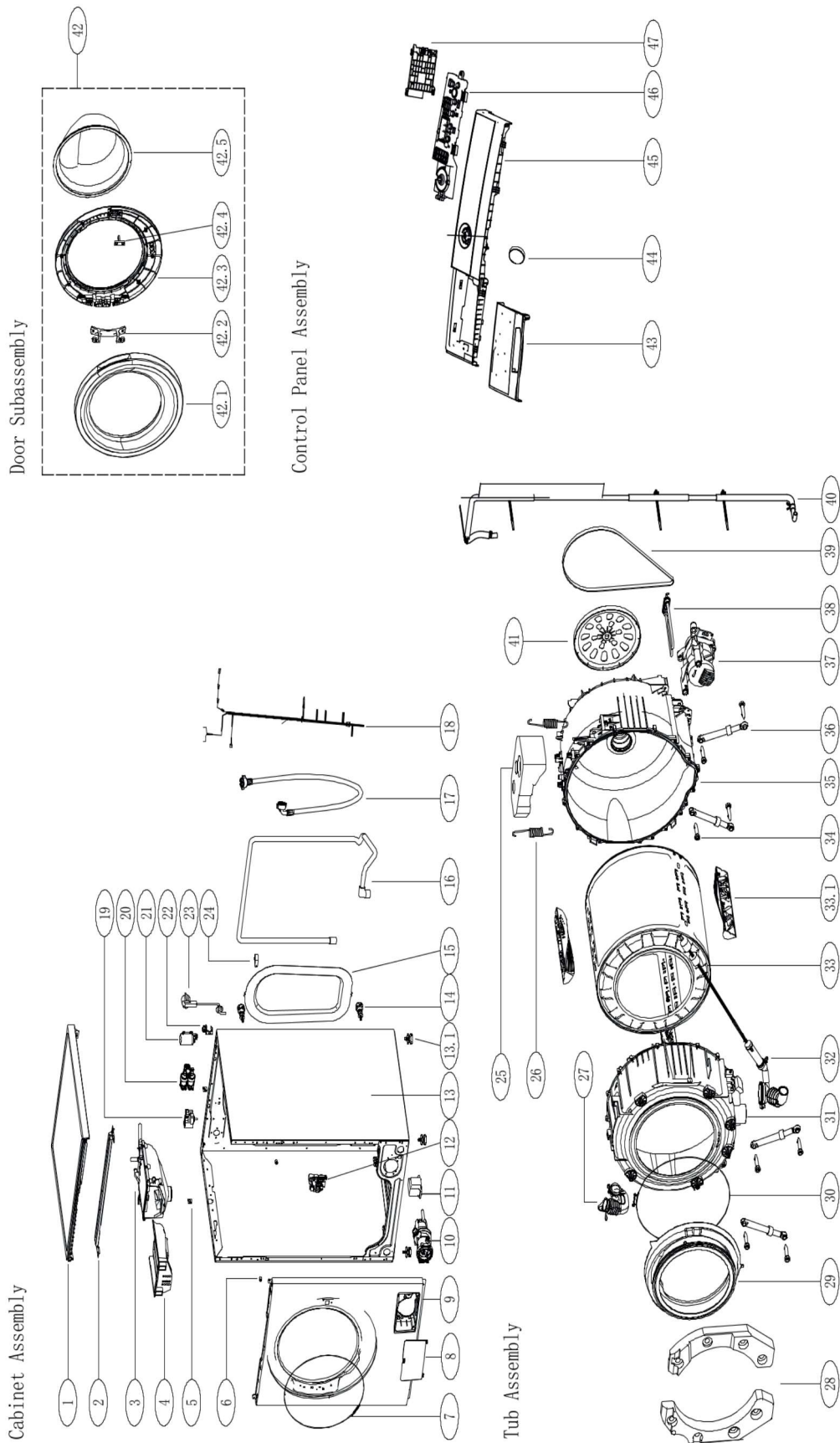
ELF1214-3b



Vue éclatée / Exploded view

8011573

Vue éclatée / Exploded view



Liste des pièces détachées / Spare parts list

N° VUE	REFERENCE	DESIGNATION (FR)	DESIGNATION (ENG)	code fournisseur
1	9026985	TOP	Top Cover Assembly	1,21381E+13
2	9026887	SUPPORT (TOP)	Top Bracket	1,22381E+13
3	9026986	BOITE A PRODUIT	Dispenser Subassembly	1,21381E+13
4	9026987	TIROIR (BOITE A PRODUIT)	Drawer Assembly	1,21381E+13
5	9019013	SUPPORT (RESSORT)	Spring Support	1,21381E+13
6	9019011	AXE (PANNEAU AVANT)	Front Panel Pin Assembly	1,21381E+13
7	9026891	CLIP FIXATION (HUBLOT)	Door Gasket Spring Clip Spring	1,29381E+13
8	9026892	TRAPPE MAINTENANCE	Lint Filter Door	1,21381E+13
9	9026893	PANNEAU AVANT	Front Panel Assembly	1,22381E+13
10	9026988	POMPE VIDANGE TP-75-35-2-5L	Permanent magnet synchronous pump TP-75-35-2-5L	1,1001E+13
11	9018129	FILTRE REDUCTION BRUIT (PRESSOSTAT)	Choke	1,74003E+13
12	9026895	VERROUILLAGE (PORTE)	Door Lock	1,74381E+13
45670	9026896	PIED AJUSTABLE	Adjustable Foot Assembly	1,26381E+13
14	9026897	SECURITE TRANSPORT	Shipping Screw Assembly	1,29381E+13
15	9019002	PANNEAU ARRIERE	Rear Cover	1,22381E+13
16	9026989	TUYAU VIDANGE	Up Drain Hose Assembly	1,26005E+13
17	9026899	TUYAU ARRIVEE EAU 1.5M	Water Inlet Pipe Assembly 1.5M	1,20381E+13
18	9026990	FILERIE	Internal Wire Assembly	1,74381E+13
19	9026901	SONDE NIVEAU EAU	Water Level Sensor	1,7438E+13
20	9018127	ELECTROVANNE 220-240V 50/60Hz 8L/min	Water Inlet Valve 220-240V 50/60Hz 8L/min	1,74381E+13
21	9019676	FILTRE ANTI PARASITE 250V 50-60Hz 12A	Electric Filter Assembly 250V 50-60Hz 12A	1,7438E+13
22	9026902	SUPPORT (TUYAU VIDANGE)	Drain Hose Support	1,21381E+13
23	9019003	CABLE ALIMENTATION H05VVF3 1.5M	European Standard Power Cord H05VVF3 1.5M	1,74381E+13
24	9018101	COLLIER SERRAGE (TUYAU VIDANGE)	Drain Hose Catch	1,21381E+13
25	9026991	CONTREPOIDS SUPERIEUR	Upper Counterweight	1,23381E+13
26	9026992	RESSORT SUSPENSION (CUVE)	Suspension Spring	1,29001E+13
27	9026993	DURITE (BOITE A PRODUIT/CUVE)	Tub Water Inlet Hose Assembly	1,26005E+13
28	9026907	CONTREPOIDS GAUCHE+DROITE	Counterweight Assembly	1,27381E+13
29	9026994	JOINT (HUBLOT)	Door Gasket Assembly	1,26381E+13
30	9026909	FIXATION (JOINT HUBLOT)	Door Gasket Clamp	1,29381E+13
31	9026995	DEMI CUVE AVANT	Front Tub Assembly	1,21381E+13
32	9026911	DURITE+TUYAU CUVE/POMPE	Tub Drain Hose Assembly	1,26381E+13
33	9026996	CUVE/TAMBOUR	Basket Assembly	1,22381E+13
33.1	9026997	AUBE	Baffle	1,21381E+13
34	9019046	AXE (PARE CHOC AMORTISSEUR)	Damper Pin	1,21381E+13
35	9026998	DEMI CUVE ARRIERE	Rear Tub Assembly	12138100A11826
36	9018117	AMORTISSEUR 80 NEWTON	Damper 80 NEWTON	1,29381E+13
37	9026999	MOTEUR ZXGN-420-8-84L	Brushless DC Motor ZXGN-420-8-84L	1,1002E+13
38	9026917	RESISTANCE LAVAGE 230V 1800W	Heater 230V 1800W	1,74381E+13
39	9026918	COURROIE 6EPJ 1274	Belt	1,26381E+13
40	9027000	TUYAU	Pipe Assembly	1,26381E+13
41	9027001	POULIE ENTRAINEMENT	Belt Wheel	1,23381E+13
42	9026920	HUBLOT	Door Subassembly	12138100A45271
42.2	9026921	CHARNIERE (HUBLOT)	Hinge Assembly	1,23381E+13
42.4	9026922	CROCHET (HUBLOT)	Door Latch	1,23381E+13
43	9027002	POIGNEE (BAC A PRODUIT)	Drawer Handle and Printing	12138100A59886
44	9026924	BOUTON PROGRAMME	Cycle Select Knob Assembly	12138100A56043
45	9027003	BANDEAU COMMANDE	Control Panel Assembly	12138100A59828
46	9027004	CARTE AFFICHEUR	Display Board And Software	1,71381E+13
47	9027005	CARTE CONTROLE	PCB And Software	1,71381E+13

Toutes les informations, dessins, croquis et images dans ce document relèvent de la propriété exclusive de SOURCING & CREATION. SOURCING & CREATION se réserve tous les droits relatifs à ses marques, créations et informations. Toute copie ou reproduction, par quelque moyen que ce soit, sera jugée et considérée comme une contrefaçon.

All information, designs, drawings and pictures in this document are the property of SOURCING & CREATION. SOURCING & CREATION reserves all rights to its brands, designs and information. Any copy and reproduction through any means shall be deemed and considered as counterfeiting.