

Réfrigérateur / Refrigerator

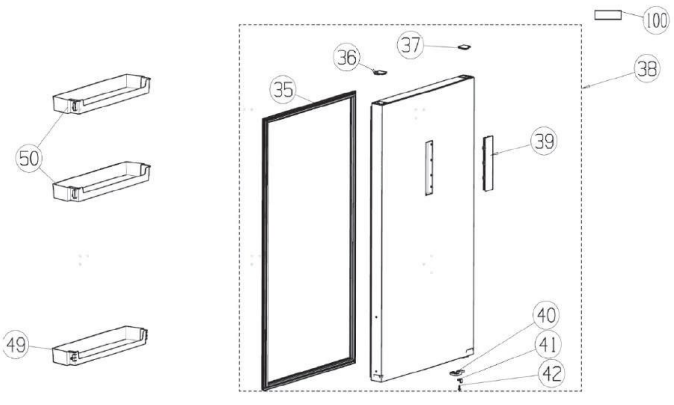
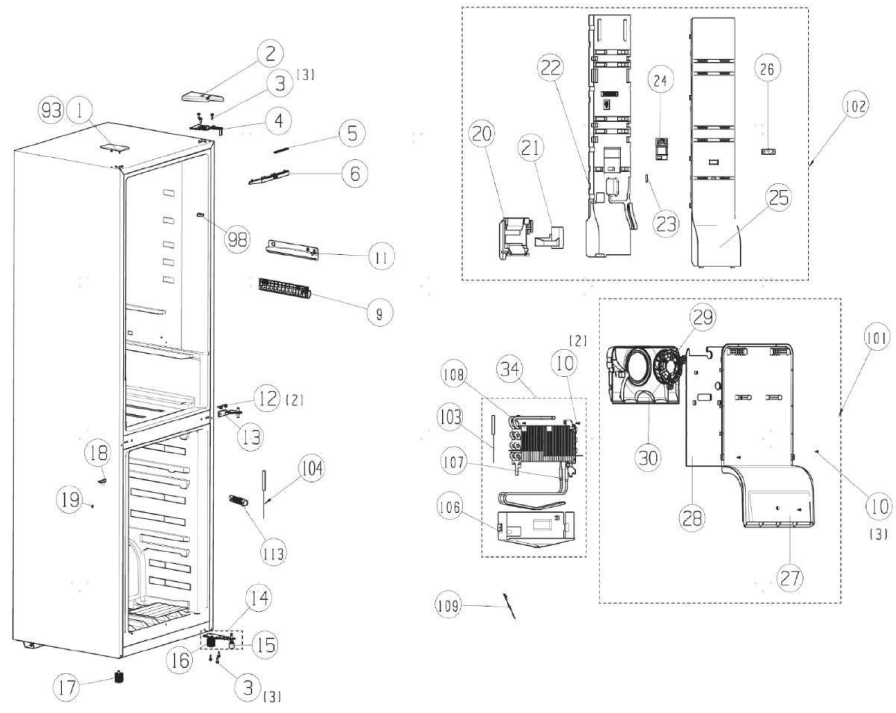
ERCVE185 60hin1

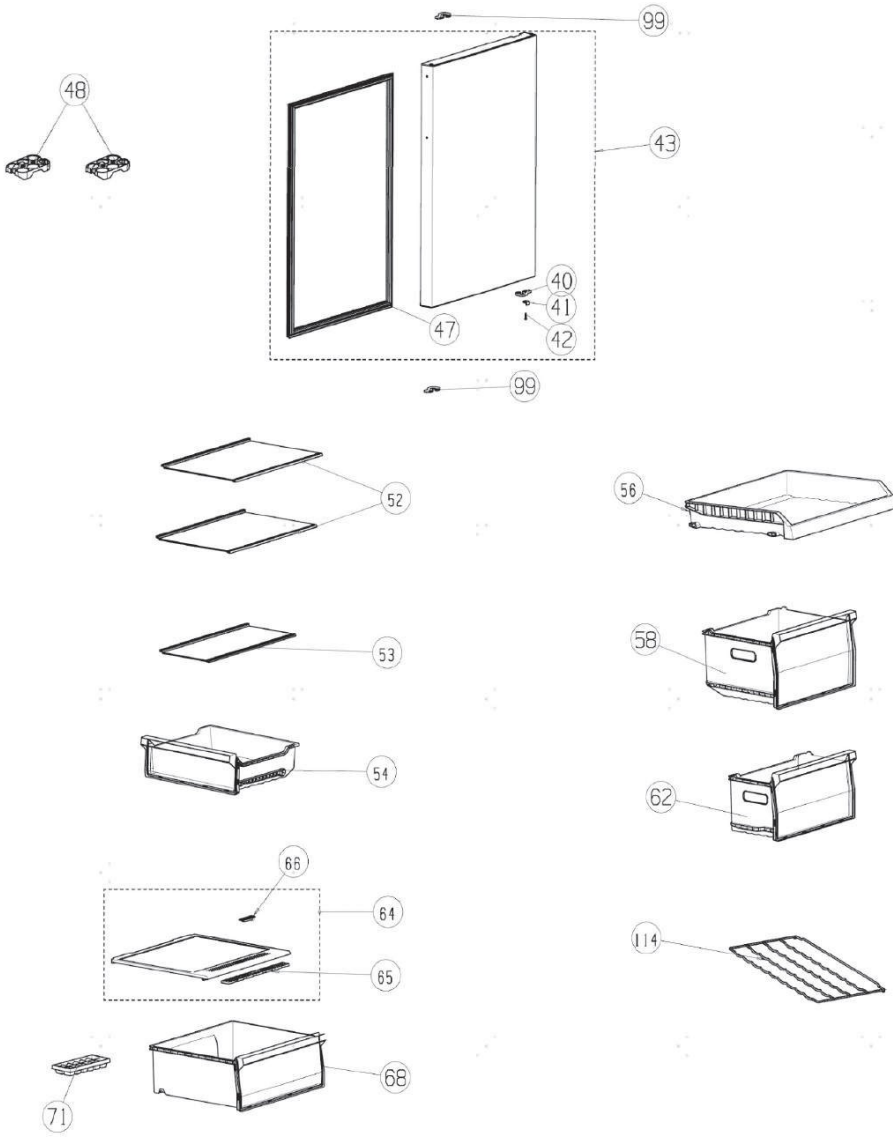


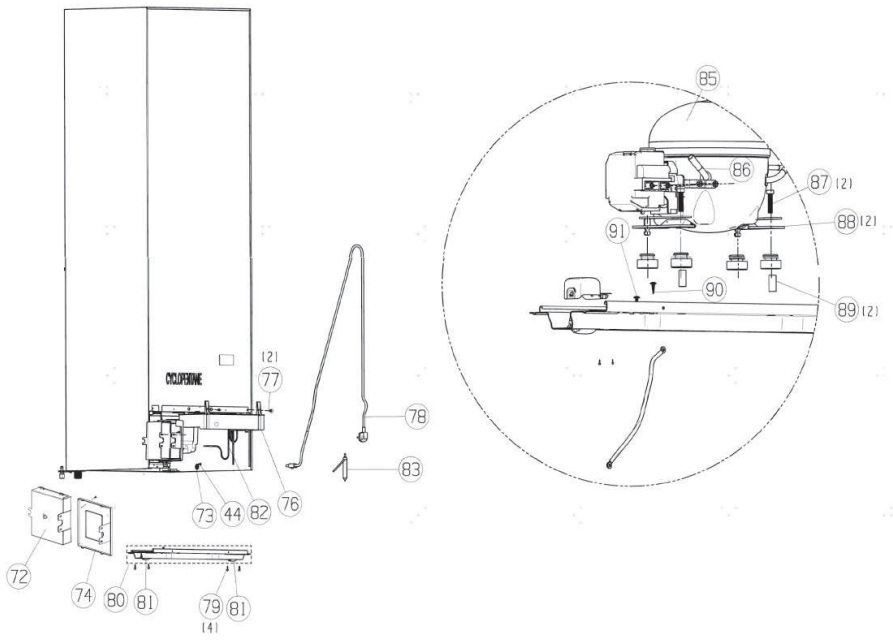
Vue éclatée / Exploded view

8011689

Vue éclatée / Exploded view







Liste des pièces détachées / Spare parts list

N° VUE	REFERENCE	DESIGNATION (FR)	DESIGNATION (ENG)	CODE
1	9027393	CACHE (VIS GAUCHE)	left screw hole cover	4067674
2	9011045	Charniere superieure	upper hinge part	1883533
3	9012160	VIS AUTO TARAUEUSE BRIDE SPECIALE	special flange self-tapping screw	1616939
4	9011046	CACHE (CHARNIERE SUPERIEURE)	upper hinge cover	4067672
5	9027394	CARTE LAMPE LED	LED light	2296204
6	9012488	DECO (AFFICHEUR)	display decorative board part	2079958
9	9012479	RAIL GAUCHE (TIROIR)	left guided rail part for drawer	2022511
10	NR	Non référencé / Not referenced	self-tapping screw	1093509
11	9012480	RAIL DROIT (TIROIR)	right guided rail part for drawer	2022513
12	9012167	VIS AUTO TARAUEUSE BRIDE SPECIALE MSX16	self-tapping screw	1554004
13	9011049	CHARNIERE CENTRALE	middle hinge part	1883545
14	9011055	Charniere inferieure	lower hinge part	1890898
15	9004517	PIED AJUSTABLE (CHARNIERE)-FEMELLE	adjustable bottom feet part	1498364
16	9003052	PIED AJUSTABLE	adjustable bottom feet part	1113301
17	9011099	PIED AJUSTABLE INFERIEUR	adjustable bottom feet part	2031406
18	9018791	CACHE VIS OVALE	screw hole cover	2033597
19	9017851	CACHE VIS ROND	screw hole cover	1065600
102	NR	Non référencé / Not referenced	wind channel part in refrigerator chamber	2026968
20	9011056	MOUSSE (CLAPET)	wind gate foam	2018312
21	9011057	CLAPET	electric wind gate	1418402
22	9011059	PANNEAU ISOLATION (CONDUIT AIR REF)	refrigerated wind channel foam	2018307
23	9011060	SONDE TEMPERATURE	temperature sensor part	1539722
24	9012482	CACHE	conditioning block for wind gate	2018324
25	9018793	CONDUIT AIR (REFRIGERATEUR)	refrigerator air duct cover	2084089
26	9012484	GLISSIERE (THERMOSTAT)	temperature adjusting slide block	2018326
101	NR	Non référencé / Not referenced	wind channel part in freezer chamber	2018032
27	9018794	CONDUIT AIR (CONGELATEUR)	wind channel cover board in freezer cham	2249317
28	9011065	PANNEAU ISOLATION (CONDUIT AIR CONGEL)	insulation floss	2018395
29	9011064	moteur (ventilateur)	DC motor	1960962
30	9011066	PLASTRON (MOTEUR VENTILATEUR)	wind channel cover board in freezer cham	2018334
34	NR	Non référencé / Not referenced	evaporator fin assembly	2288025
106	9011054	BAC RECUPERATEUR	water drain	2018556
107	9011053	RESISTANCE DEGIVRAGE	tube type electric heater	2015126
108	9027395	EVAPORATEUR	finned-type evaporator parts	2279697
103	9025384	SONDE TEMPERATURE	temperature sensor unit	1051790
109	9027396	TIGE DEGIVRAGE	defrost stick	1603891
38	9027397	PORTE (REFRIGERATEUR)	refrigerator door	4288320
39	9018798	CARTE (AFFICHEUR)	functional board part	4144280
40	9011069	BUTEE (PORTE DROITE)	right door stopper	1914354
41	9011070	SUPPORT (BUTEE PORTE)	limit block	1869048
35	9011071	JOINT (PORTE REFRIGERATEUR)	gasket part	2011997
36	9027398	CACHE GAUCHE (PORTE REFRIGERATEUR)	left kok cover	4067664
37	9027399	CACHE DROITE (PORTE REFRIGERATEUR)	right kok cover	4067666
42	9012210	vis auto taraudeuse	self-tapping screw	1099044
43	9027400	PORTE (CONGELATEUR)	freezer door	4288318
47	9011075	Joint (porte congelateur)	gasket part	1887527
48	9015272	BAC A OEUFS	egg tray	2197006
49	9016736	BALCONNET INFERIEUR	lower shelf	2081767
50	9016735	BALCONNET SUPERIEUR	upper shelf	2081751
52	9016730	CLAYETTE	shelf part	2012026
53	9018800	CLAYETTE	shelf part	2026432
54	9018801	BAC SUPERIEUR (REFRIGERATEUR)	refrigerator upper drawer	2096273
56	9011088	TIROIR	Serving tray	2019250
58	9018803	BAC CENTRAL (CONGELATEUR)	freezer middle drawer	2096283
62	9018804	BAC INFERIEUR (CONGELATEUR)	freezer lower drawer	2081791
64	9011082	COUVERCLE (BAC A LEGUMES)	crisper box cover part	2018514
65	9011084	REGLETTE CONTROLE HUMIDITE	humidity conditioning slide block	2018516
66	9011083	bouton	button	2018525
68	9018805	BAC A LEGUMES	crisper box part	2096281
71	9003234	BAC A GLACONS	ice tray	1051965
72	9027401	CARTE COMMANDE AVEC BOITIER	electric controller parts	2431813
73	9011050	SUPPORT FIXATION	fixed holder	1110257
74	9027402	COUVERCLE (CARTE COMMANDE)	control board box cover	2327310
76	9012168	BAC RECUPERATEUR	evaporating dish part	1469288
77	9012156	VIS AUTO FILETANTE ST4.2X16	screw	1099043
78	9016886	CABLE ALIMENTATION	power line	1452482
79	9017939	VIS AUTO TARAUEUSE BRIDE SPECIALE	special flange self-tapping screw	1115414
80	9018807	TRAVERSE COMPRESSEUR	compressor supporting board part	2208704
81	9004540	Roue (traverse compresseur)	roll wheel	1103815
82	9012169	TUBE (EVAPORATEUR EAU)	condenser fixed clip	1938095
83	9018808	DESHYDRATEUR	dry filter	1976523
85	9027403	COMPRESSEUR VETW72	compressor part	2361243
86	9012155	TUBE	process tube	1639201
87	9023055	VIS M6X25	screw bolt	1118349
88	9020866	PLAQUE FIXATION (COMPRESSEUR)	platen	1094609

N° VUE	REFERENCE	DESIGNATION (FR)	DESIGNATION (ENG)	CODE
89	9012174	DOUILLE	steel sleeve	1566176
90	9023044	VIS ST4.2X9.5	self-tapping screw	1099076
91	9022196	VIS MISE A LA TERRE M4X8	earthing screw for compressor	1091420
93	9027404	CACHE (VIS DROITE)	right screw hole cover	4067673
98	9002780	INTERRUPTEUR (PORTE)	door switch	1092783
99	9011104	BUTEE (PORTE GAUCHE)	left door stopper	1914356
100	9018994	LOGO	logo	4174662
104	9012481	SONDE TEMPERATURE	Temperature sensor	1057042
113	9016905	BOUTON (AFFICHEUR)	Installation button	1619233
114	9011086	PORTE BOUTEILLES	bottle rack	2018554

Toutes les informations, dessins, croquis et images dans ce document relèvent de la propriété exclusive de SOURCING & CREATION. SOURCING & CREATION se réserve tous les droits relatifs à ses marques, créations et informations. Toute copie ou reproduction, par quelque moyen que ce soit, sera jugée et considérée comme une contrefaçon.

All information, designs, drawings and pictures in this document are the property of SOURCING & CREATION. SOURCING & CREATION reserves all rights to its brands, designs and information. Any copy and reproduction through any means shall be deemed and considered as counterfeiting.