

essentiel 

Lave vaisselle / Dishwasher

LLVF47D

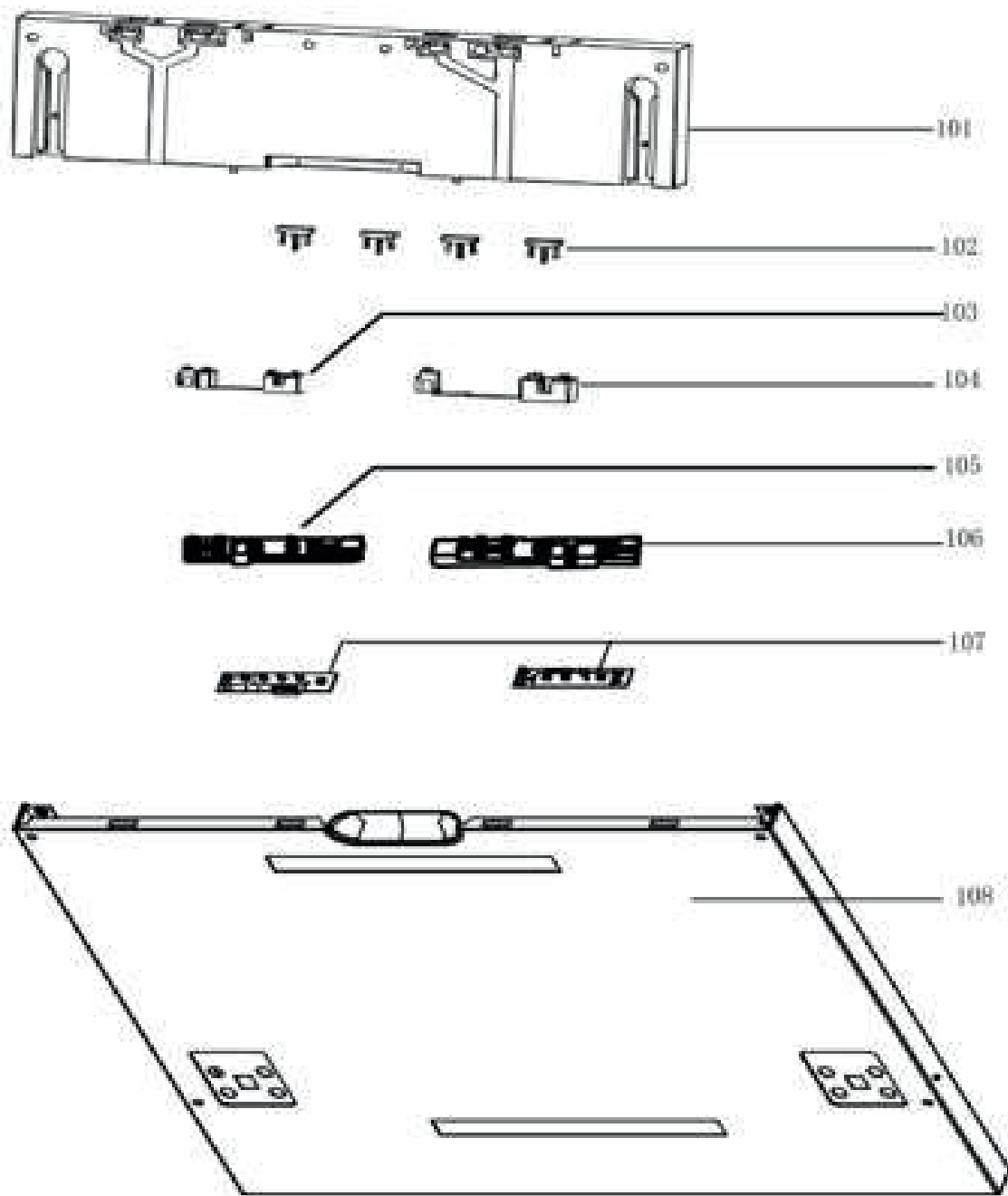


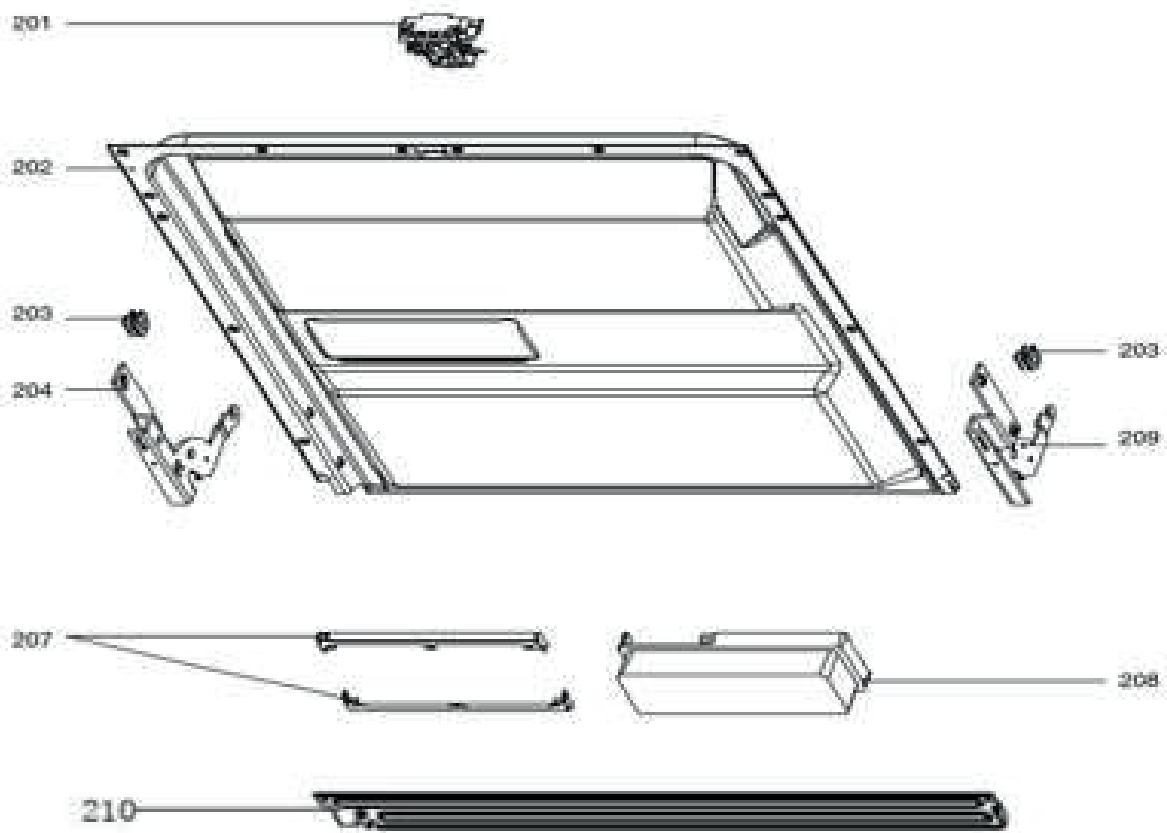
**Aide à la réparation / After-sales solutions**

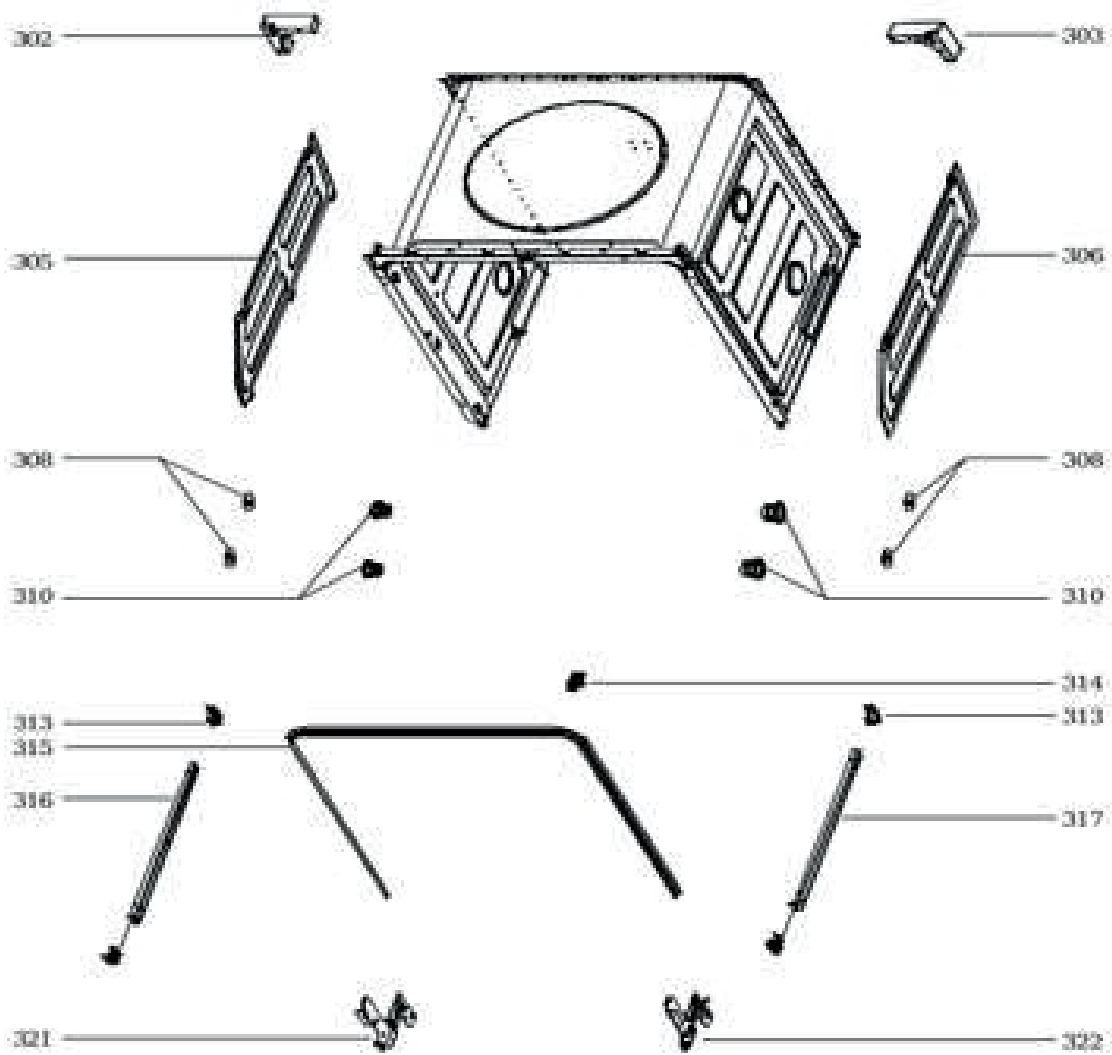
8012097

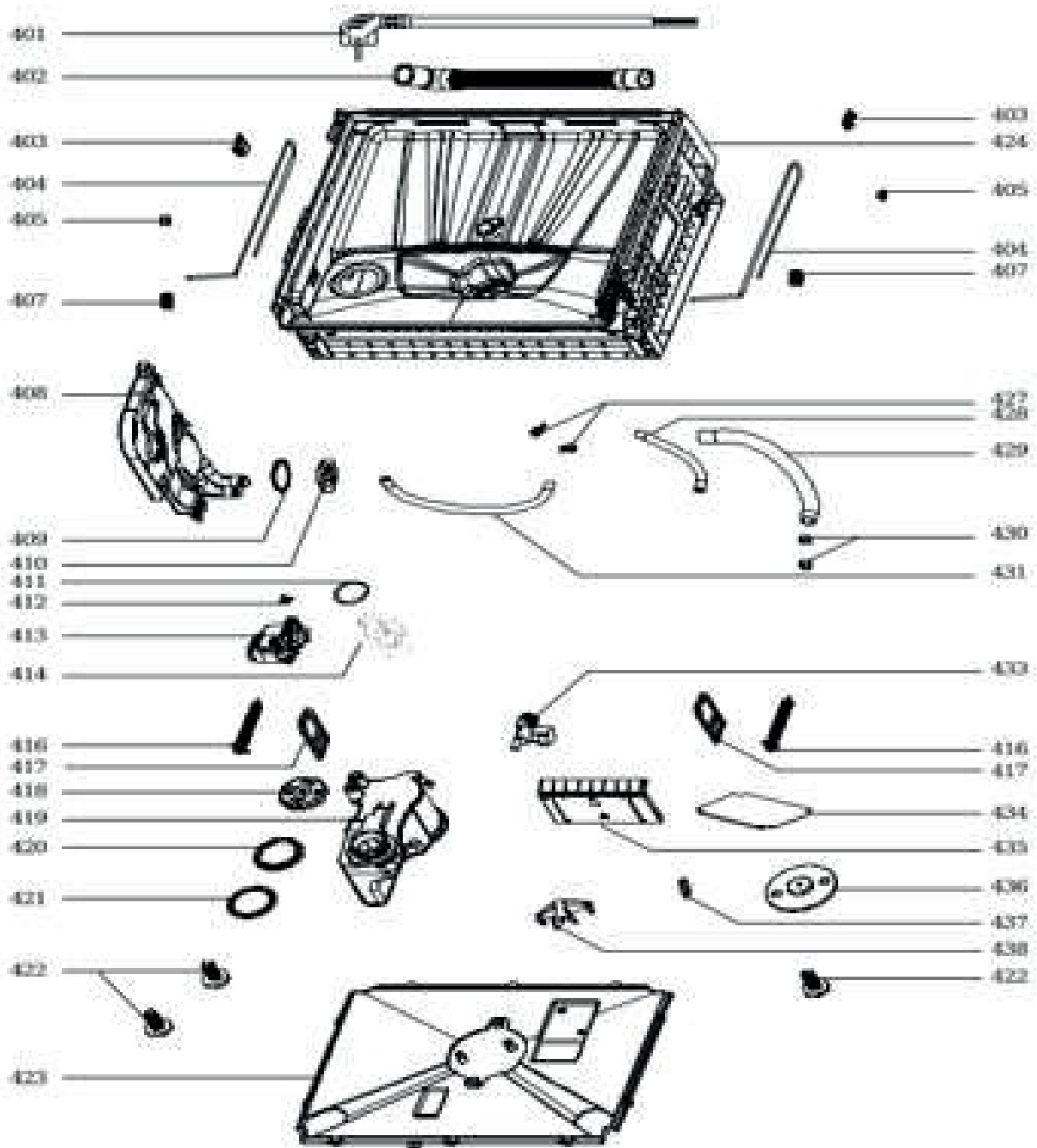
# Nomenclature du produit / Bom

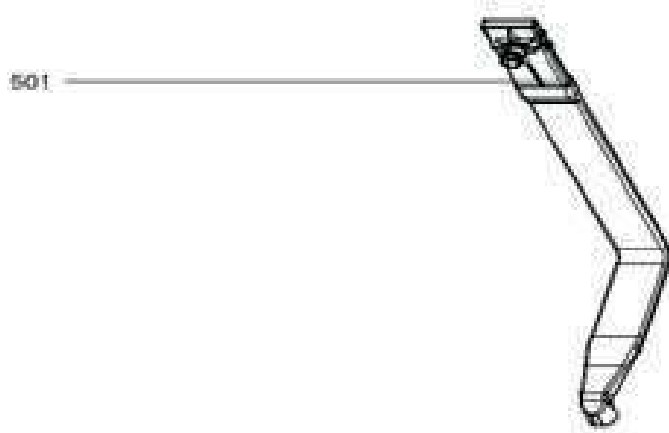
## Vue éclatée / Exploded view

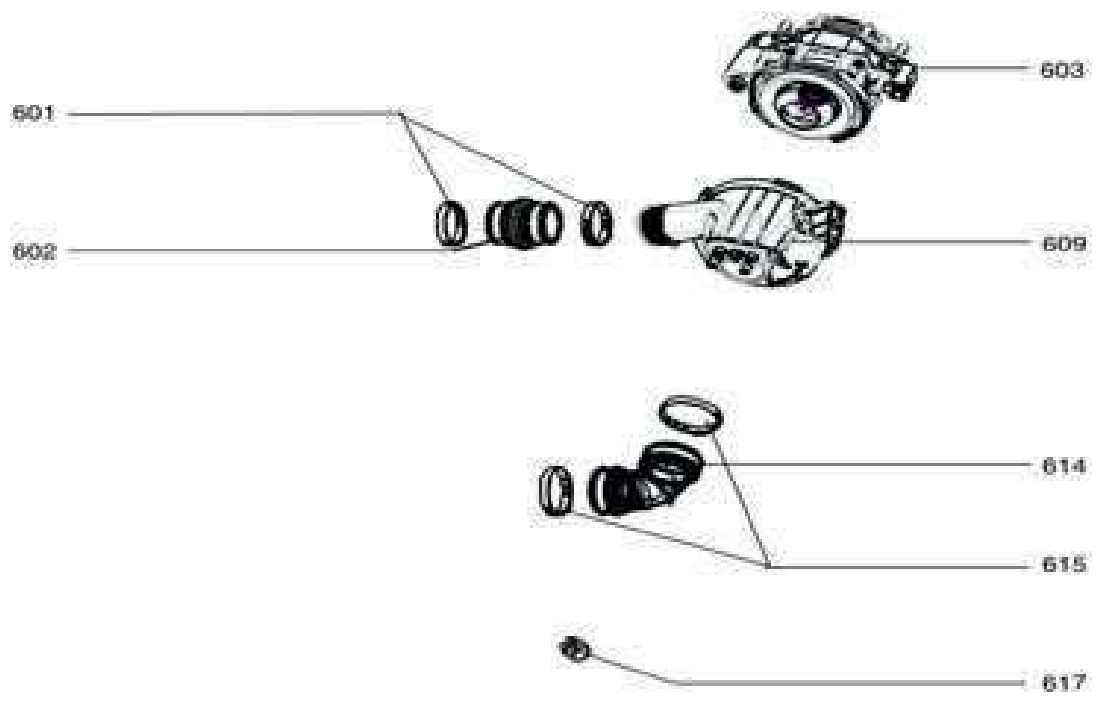


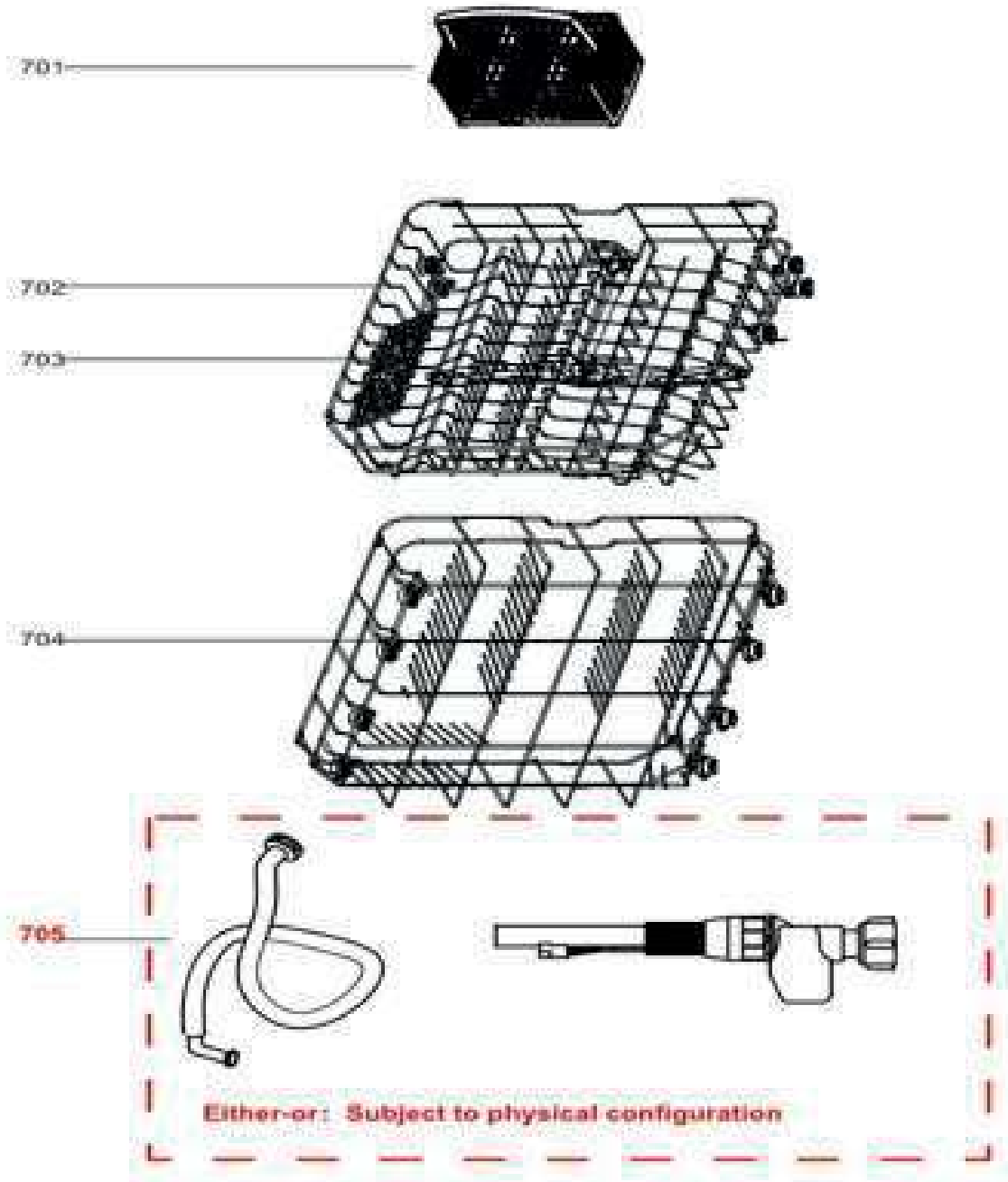




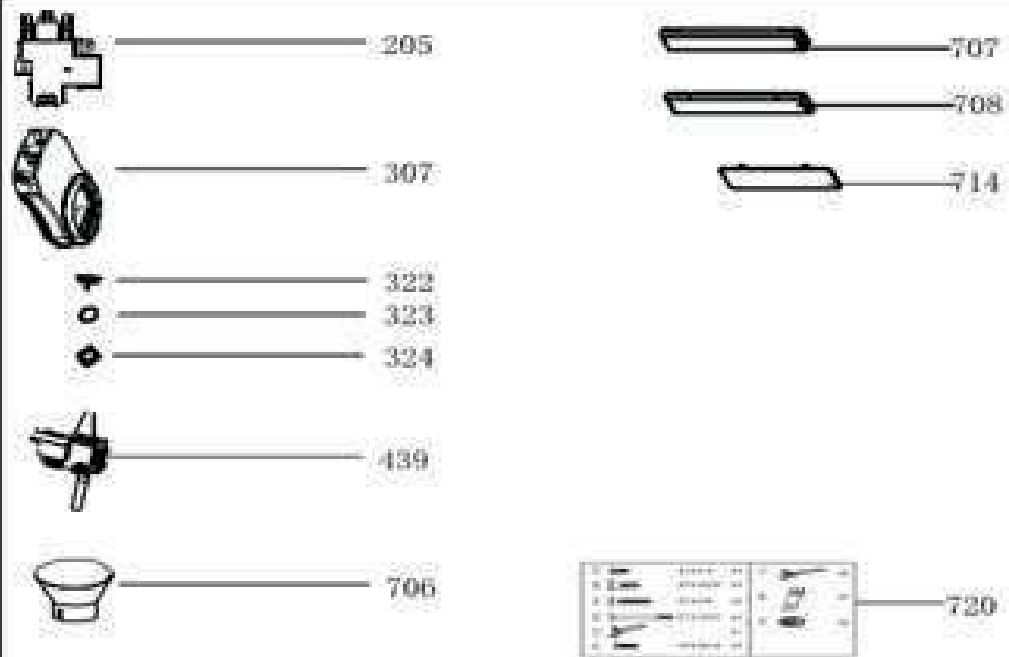








These parts are optional. Only serial numbers listed in the spare parts list represent the parts the machine possesses.



# Liste des pièces détachées / Spare parts list

Les pièces détachées, hors liste, repérées sur la vue éclatée, peuvent faire l'objet d'une demande de codification, sous conditions(1)  
 Spare parts not listed, identified on the exploded view, may be subject to a coding request, under certain conditions(1)  
 (1) Conditions : productible et livrable par le fabricant / (1) Conditions: producible and deliverable by the manufacturer

N° VUE	REFERENCE	DESIGNATION (FR)	DESIGNATION (ENG)	CODE
101	9028082	BANDEAU COMMANDE	Control Panel	12176000A20308
102	9028083	BOUTON	Button	12176000017833
103	9018177	DEFLECTEUR METAL INFERIEUR GAUCHE	Light Guide Cover	12176000019803
104	9018706	DEFLECTEUR METAL INFERIEUR DROIT	Light Guide Cover	12176000019806
105	9028084	SILICONE WATERPROOF GAUCHE	Waterproof Silicone Pad	12676000006396
106	9028085	SILICONE WATERPROOF DROITE	Waterproof Silicone Pad	12676000006395
107	9028086	CARTE (AFFICHEUR)	Display Panel	17176000043238
108	9011730	PORTE EXTERNE	Outer Door	12276000014971
201	9017640	VERROUILLAGE (PORTE)	Door Switch Assembly	17476000007454
202	9028087	FACADE (PORTE)	Inner Door Assembly	12276000028499
203	9022628	FIXATION (CROCHET SANGLE PORTE)	Snap Ring	12176000003629
204	9028088	CHARNIERE GAUCHE	Left Hinge Assembly	12276000021255
205	9018580	VERROUILLAGE (PORTE)	Door Lock Assembly	12176000030346
207	9028089	FIXATION (BOITE A PRODUIT)	Dispenser Bracket	12276000001459
208	9022632	BOITE A PRODUIT GRISE	Dispenser	17476000007435
209	9028090	CHARNIERE DROITE	Righ Thinge Assembly	12276000021256
210	9017642	PLINTHE AVANT (TOP)	Connecting Board	12276000019605
302	9017643	SUPPORT HAUT ARRIERE GAUCHE	Upper Back Support	12176000027453
303	9017644	SUPPORT HAUT ARRIERE DROIT	Upper Back Support	12176000027452
305	9018180	PLINTHE AVANT (TOP)	Connecting Board	12276000017329
306	9018181	PLINTHE AVANT (TOP)	Connecting Board	12276000012465
307	9017648	BOITIER AIR LATERAL	Air Intake	12176000003926
308	9022643	SUPPORT GUIDE (PANIER SUPERIEUR)	Basket Guider Supporting Holder	12176000008573
310	9003534	ROULETTE (SUPPORT RAIL)	Rail Support Assembly	12176000010412
313	9017649	BUTEE (CHARNIERE INFERIEURE)	Stopper	12176000025300
314	9023277	CROCHET (DOIGT VERROUILLAGE)	Door Lock Hook	12176000009491
315	9017650	JOINT	Seal	12676000005443
316	9017651	RAIL GAUCHE (PANIER SUPERIEUR)	Upper Basket Guider(Left)	12276000014587
317	9017652	RAIL DROIT (PANIER SUPERIEUR)	Upper Basket Guider(Right)	12276000014586
321	9017653	SUPPORT (CHARNIERE GAUCHE)	Left Hinge Holeder	12276000013805
322	9017654	SUPPORT (CHARNIERE DROITE)	Right Hinge Holder	12276000013809
401	9011704	CABLE ALIMENTATION	European Standard Power Cord	17476000007384
402	9023286	TUYAU VIDANGE	Drain Pipe Assembly	12676000000138
403	9017655	BOUCHON VIDANGE	Overflow Cap	12176000025576
404	9018217	FIXATION (RESSORT PORTE)	Door Rope	12976000000400
405	9018182	AXE (ROULETTE)	Pin	12176000003604
407	9018183	ROUE	Wheel	12176000025290
408	9017656	REPARTITEUR EAU + DEBIMETRE	Air Breather	12176000024283
409	9001769	JOINT (BOITE A EAU)	Washer	12676000000713
410	9017657	ECROU (BOITE A EAU)	air breaker nut	12176000025297
411	9017658	JOINT (POMPE VIDANGE)	O Type Sealing Ring	12676000003902
412	9003594	SONDE TEMPERATURE (BLOC HYDRAULIQUE)	Temperature Sensor	17176000012008
413	9001787	POMPE VIDANGE 1718C	Drain Pump	17476000007443
414	9018184	TUYAU COUDE (POMPE VIDANGE)	Shunt Valve Chamber Cover	12176000029659
415	9022663	VIS AJUSTEMENT (RESSORT PORTE)	Adjust Screw of Door Spring	12976000001001
416	9003543	RESSORT (PORTE)	Spring	12976000000203
417	9017660	SUPPORT (POMPE VIDANGE)	Wash Pump Holder	12676000003901
418	9017661	COUVERCLE (POIGNEE)	Handle Cover	12176000024730
419	9017662	ADOUCCISSEUR	Softener	17476000010222
420	9017663	BOUCHON (ADOUCCISSEUR)	Softener Nut	12176000025295
421	9017664	JOINT (ADOUCCISSEUR)	Softener Gasket	12676000004365
422	9011741	PIED	Foot	12176000009726
423	9018185	BASE	Base Tray Assembly	12176000029662
424	9018186	FOND	Base Tray	12176000029658
427	9011693	COLLIER (TUYAU ADOUCISSEUR)	Clamp	12976000000332
428	9017666	TUYAU	Water Outlet Pipe	12676000003941
429	9017667	TUYAU VIDANGE	Drain Hose	12676000003921
430	9011702	COLLIER 17.5MM (TUYAU BOITE A EAU)	Clamp	12976000004605
431	9017668	TUBE (REPARTITEUR)	Connecting Pipe	12676000000644
433	9011746	ELECTROVANNE 1VOIE180 220-240V 2.5L/MIN	Water Inlet Valve	17476000007448
434	9028092	CARTE COMMANDE	Main control panel	17176000043207
435	9028093	BOITIER (CARTE COMMANDE)	PCB Box	12176000024244
436	9022669	FLOTTEUR	Float	12876000000050
437	9022671	INTERRUPTEUR DEBORDEMENT MS1-03 250VAC	Microswitch	17476000001137
438	9017671	FLOTTEUR	Float Seat	12176000024250
501	9028094	TUBE ALIMENTATION (BRAS LAVAGE)	Inner Pipe Assembly	12176000A47558

N° VUE	REFERENCE	DESIGNATION (FR)	DESIGNATION (ENG)	CODE
510	9005000	BRAS LAVAGE SUPERIEUR	Middle Spayer Assembly	12176000025291
511	9003551	BRAS LAVAGE INFERIEUR	Lower Sprayer	12176000025299
512+513+514	9028095	FILTRE + MICROFILTRE	filter	12176000025070
601	9011720	COLLIER 39.6MM (CONNECTEUR RESISTANCE)	Clamp	12976000004604
602	9011753	TUYAU (POMPE CYCLAGE)	Washing Pump Outlet Pipe	12676000000132
603	9028109	TURBINE (POMPE CYCLAGE YXW50-2E(L))	Impeller	12176000008792
603	9018221	POMPE CYCLAGE YXW50-2E(L) AVEC COUVERCLE	Single Phase Asynchronous Motor	11001010001877
609	9011756	RESISTANCE 1800W AVEC CAPOT (POMPE)	Heating Tube Assembly	17476000007431
614	9017677	DURITE ENTREE (POMPE CYCLAGE)	Inlet Pipe	12676000003903
615	9011758	COLLIER (TUYAU BOITE A EAU)	Clamp	12976000000308
617	9011690	CLAPET ANTI RETOUR	Check Valve Seat Assembly	12676000000993
701	9017678	PANIER A COUVERTS	Cutlery Basket	12176000025296
702	9028096	PANIER SUPERIEUR	Upper Basket Assembly	12976000006252
703	9017680	SUPPORT PORTE TASSE	Cup Holder	12176000025294
704	9017681	PANIER INFERIEUR	Lower Basket Assembly	12976000006251
705	9011718	TUYAU ARRIVEE EAU	Water Inlet Pipe Assembly	12176000024909
720	9018188	ACCESSOIRES MONTAGE	Accessory Bag	12976000008531