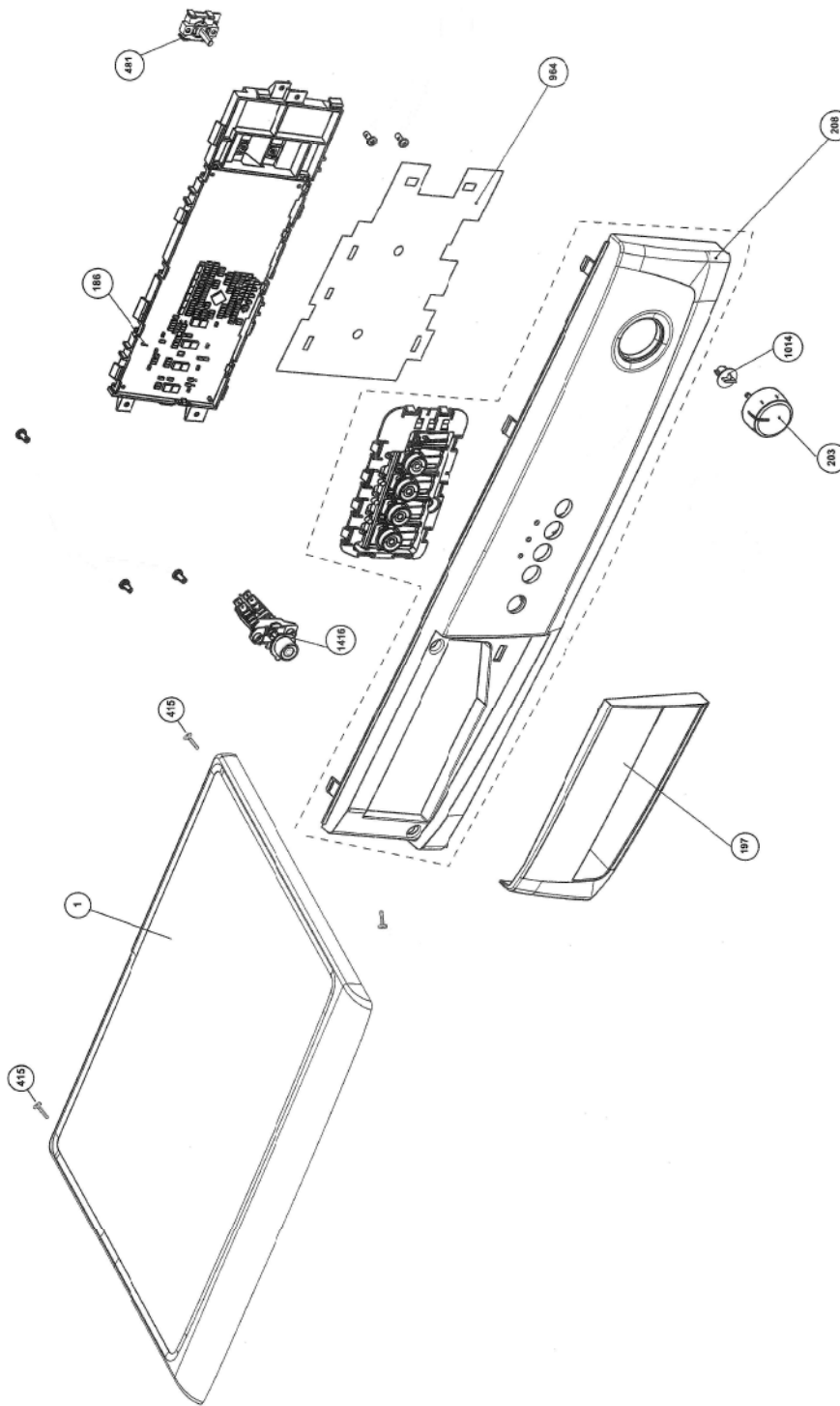




LAVE LINGE FRONT LF 605-2

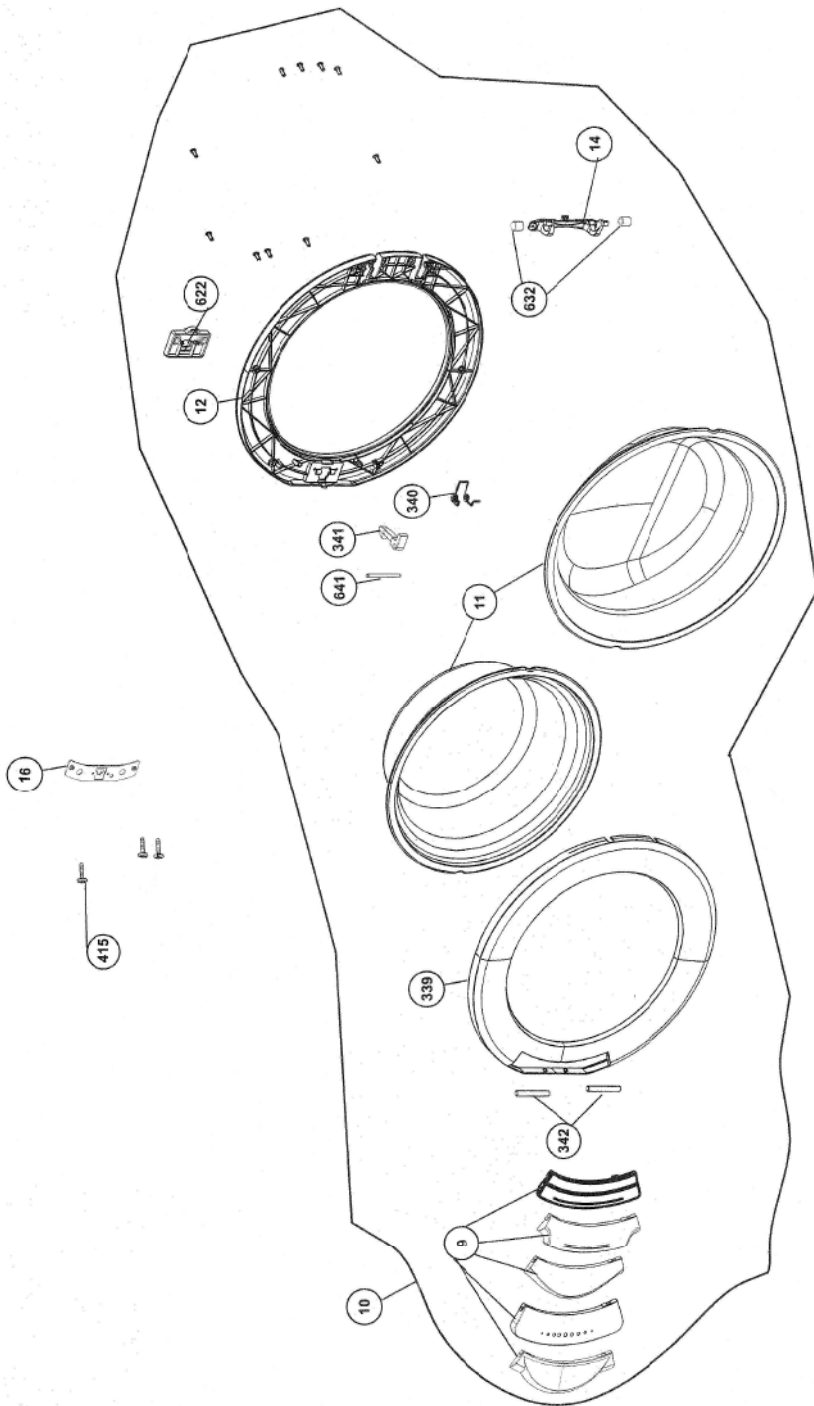


Rep	DESIGNATION
1	DESSUS WMD57100
186	MAIN BOARD ASSY.
197	FACADE BOITE A PRODUIT
203	MANETTE DE PROGRAMMATEUR LF 505-1
208	BANDEAU

Rep	DESIGNATION
415	VIS TOP WM2506H EX9003610100
481	POTENTIOMETRE WM5552T 5554T
964	PROTECTION MODULE L6500 L67100
1014	AXE DE MANETTE PROGRAMMATEUR
1416	ON-OFF BUTTON ASSEMBLY

LISTO

LAVE LINGE FRONT LF 605-2

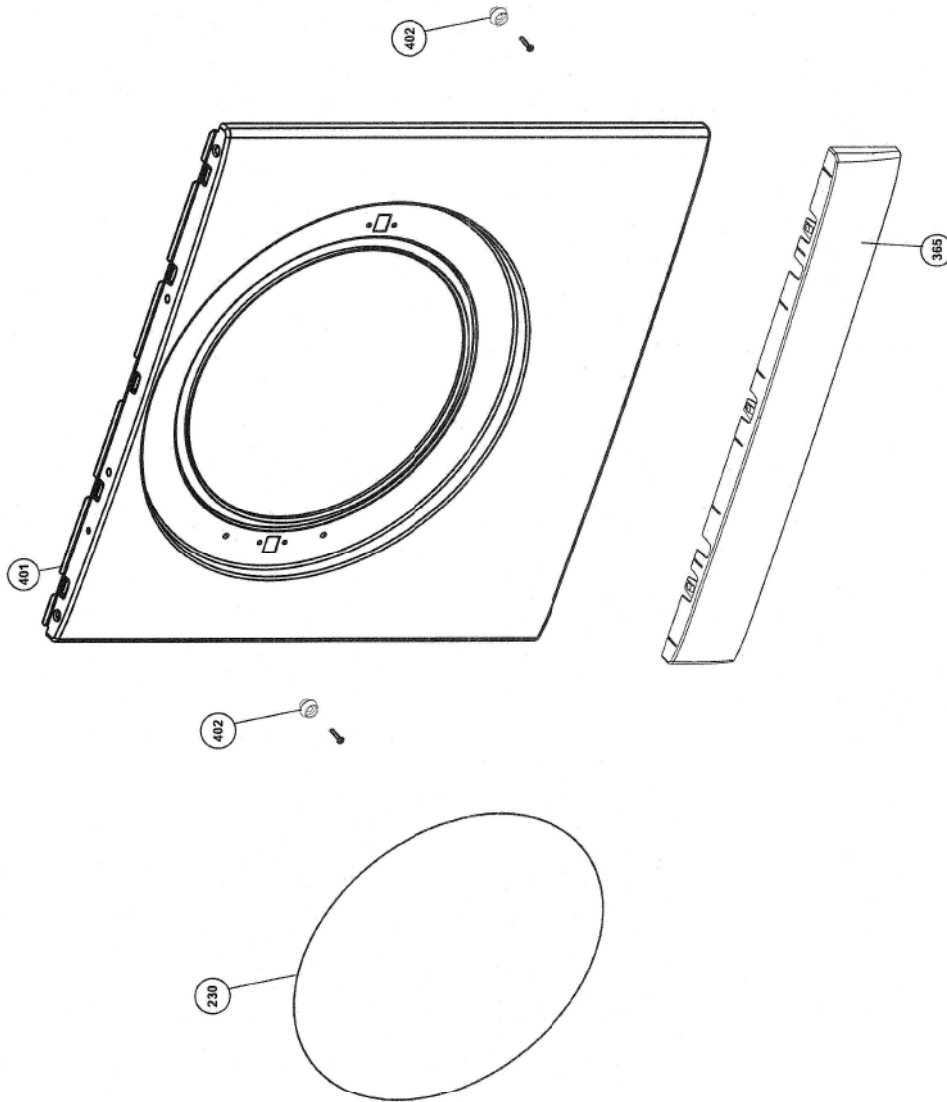


Rep	DESIGNATION
9	HANDLE
10	PORTE COMPLETE
11	HUBLOT VERRE
12	INNER COVER
14	HINGE
16	HINGE SUPPORT.
339	CADRE EXTERIEUR L67100

Rep	DESIGNATION
340	RESSORT DE CROCHET
341	CROCHET DE HUBLOT WMB6508/BLF1455
342	AXE DE CROCHET WMB7612/WMB6508 0
415	VIS TOP WM2506H EX9003610100
622	HOOK COVER
632	COUSSINET DE CHARNIERE WMB6508
641	AXE DE CROCHET WMB6508/12600

LISTO

LAVE LINGE FRONT LF 605-2

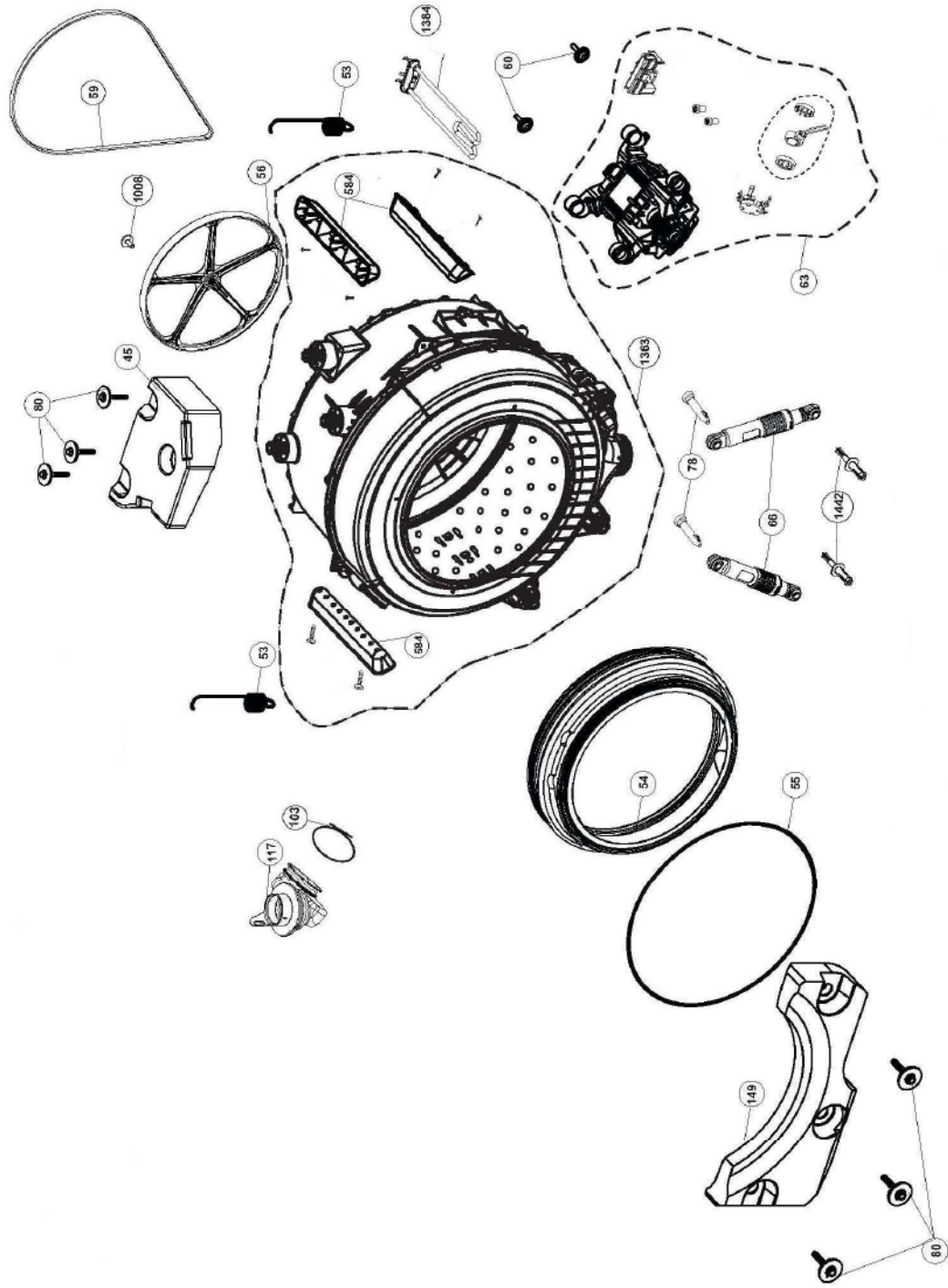


Rep	DESIGNATION
230	CABINET BELLOWS CLAMP ASSEMBLY
365	PLINTHE

Rep	DESIGNATION
401	FRONT PANEL
402	FIXATION PANNEAU AVANT /12600

LISTO

LAVE LINGE FRONT LF 605-2





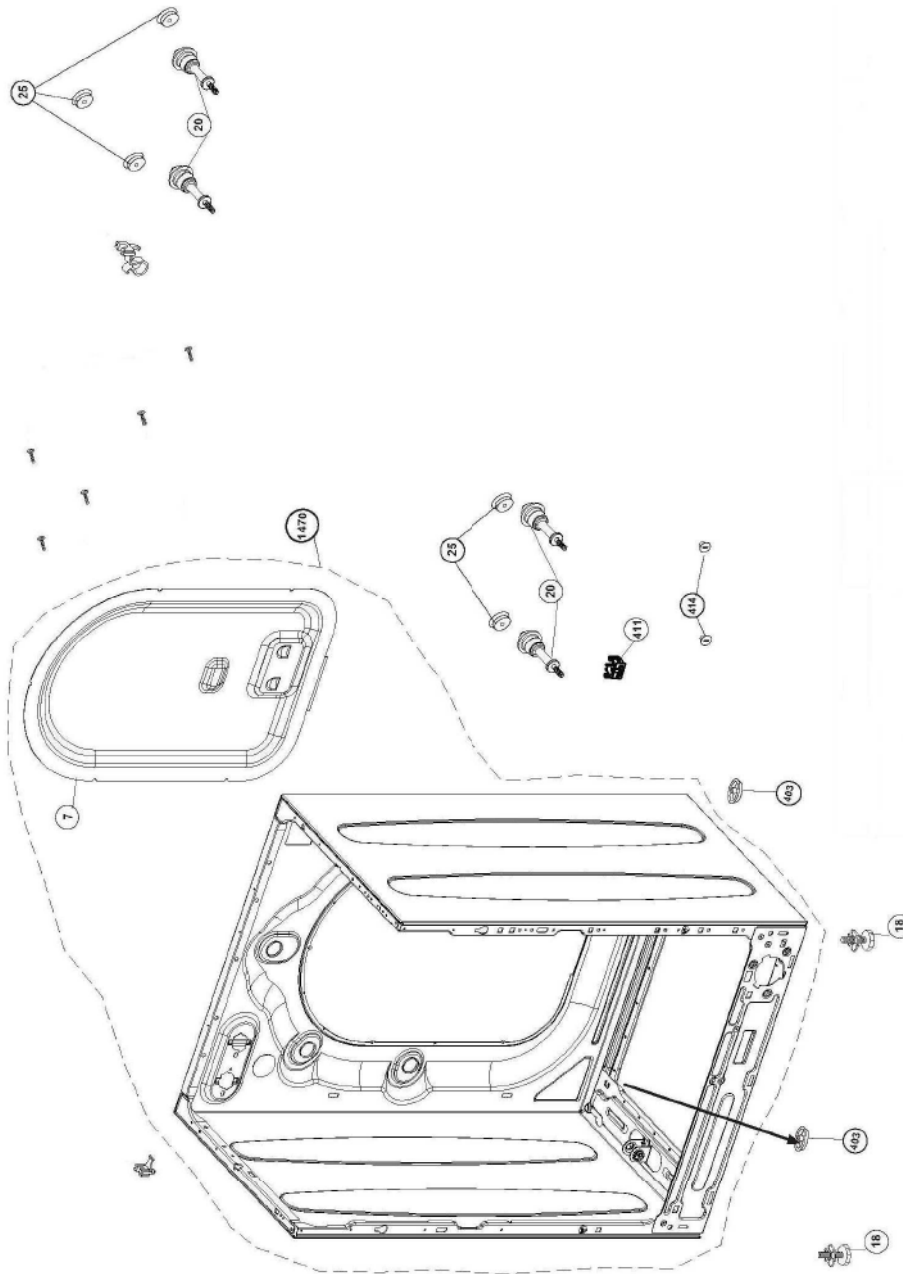
LAVE LINGE FRONT LF 605-2

Rep	DESIGNATION
45	CONTRE POIDS SUPERIEUR WMD25105T
53	RESSORT DE CUVE WMD25105T
54	MANCHETTE WMD25105T
55	CERCLAGE INTERIEUR WMB6508/BLF1455
56	POULIE WMD25105T
59	COURROIE WMD25105T
60	ENGINE CONNECTION SCREW
63	MOTEUR (COMPACT 39 MM HAIER)
66	AMORTISSEUR WMD25105T
78	FIXATION AMORTISSEUR

Rep	DESIGNATION
80	SPECIAL BOLT.
103	COLLIER DURITE WMD25105T
117	DURITE BOITE/CUVE WMD25105T
149	CONTRE POID INF WMD25105T
584	AUBE DE TAMBOUR
1008	VIS POULIE L67100
1363	BLOC LAVEUR EX/2879000100
1384	RESISTANCE
1442	FIXATION AMORTISSEUR WMD25105T



LAVE LINGE FRONT LF 605-2

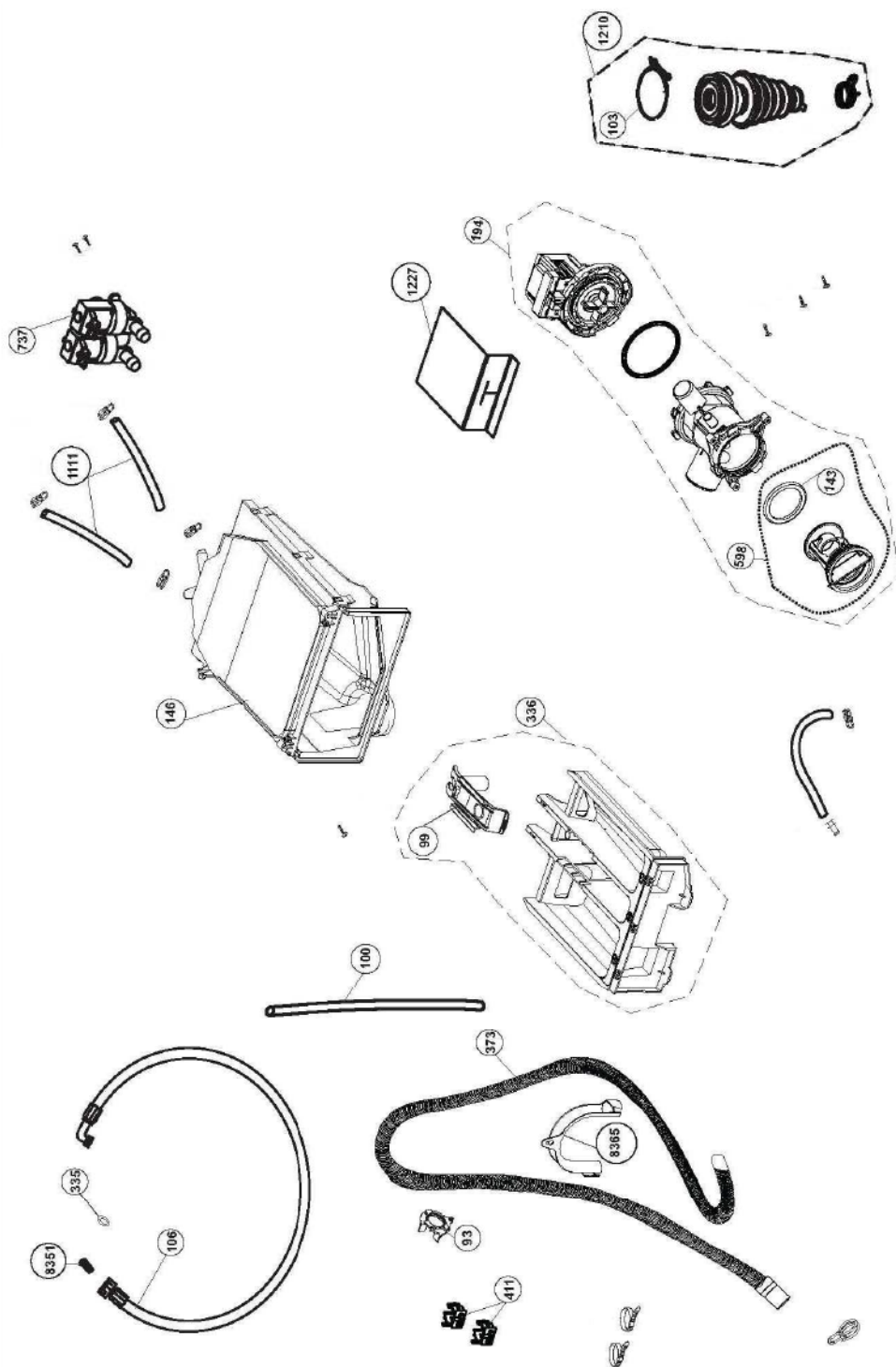


Rep	DESIGNATION
7	BACK COVER
18	ADJUSTABLE FEET ASSEMBLY
20	VIS DE SECURITE
25	BOUCHON BRIDE WM2510M /12600

Rep	DESIGNATION
403	FIXED FOOT RUBBER
411	SUPPORT TUYAU VIDANGE
414	GUIDE BANDEAU
1470	CARROSSERIE WM2552M/L67100/5554T



LAVE LINGE FRONT LF 605-2





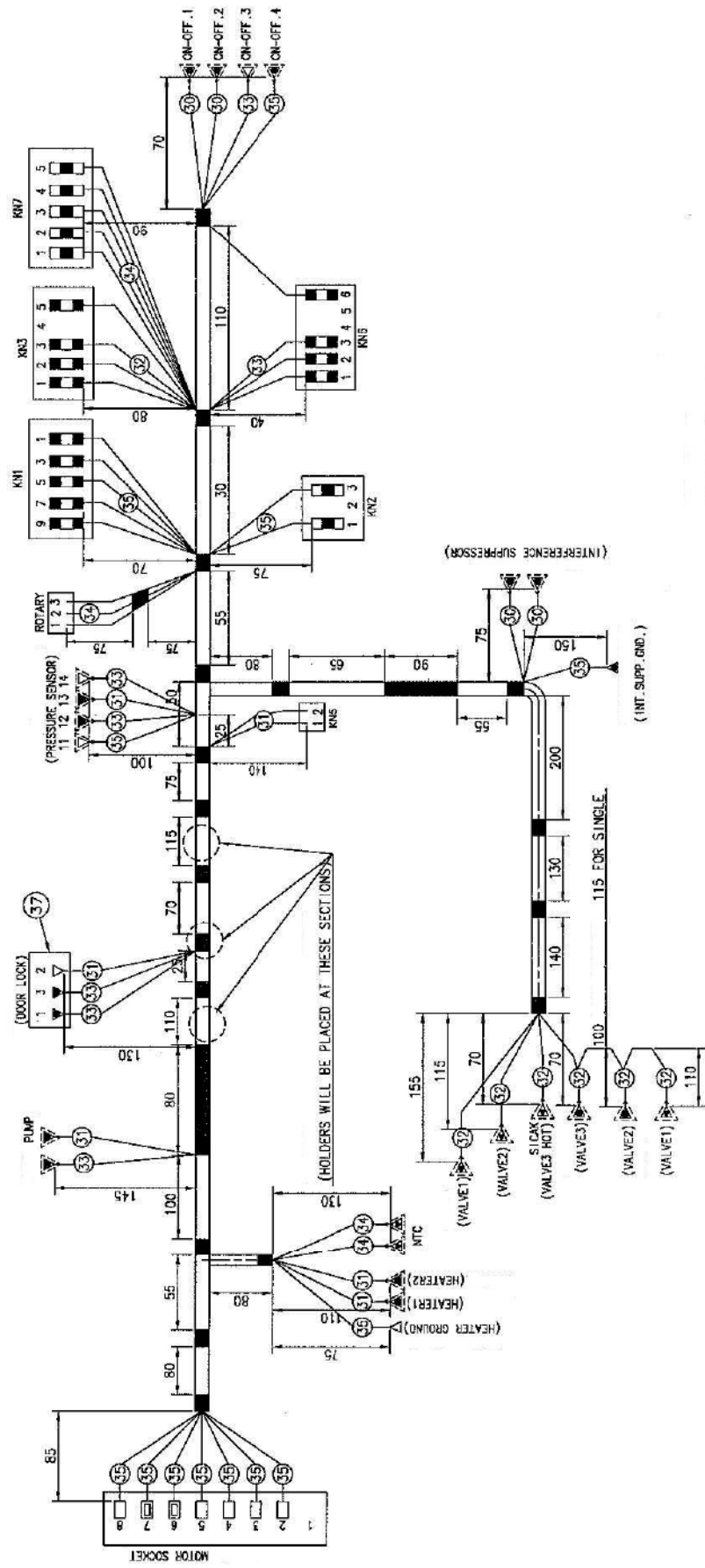
LAVE LINGE FRONT LF 605-2

Rep	DESIGNATION
93	FIXATION TUYAU VIDANGE 10600/12600
99	SYPHON WMD25105T
100	DURITE PRESSOSTAT
103	COLLIER DURITE WMD25105T
106	TUYAU D'ARRIVEE D'EAU EX2005400100
143	JOINT DE FILTRE
146	BOITE A PRODUIT WMD25105T
194	POMPE DE VIDANGE
335	JOINT BF600TH WMB6508 /12600
336	TIROIR BOITE A PRODUIT WMD25105T

Rep	DESIGNATION
373	TUYAU DE VIDANGE WMD25105T
411	SUPPORT TUYAU VIDANGE
598	BOUCHON DE POMPE WMD25105T
737	ELECTROVANNE 2 VOIES WMD56120
1111	DURITE WMD25105T
1210	DURITE CUVE/POMPE WMD25105T
1227	PUMP PROTECTIVE COVER
8351	FILTRE ARRIVEE D'EAU LV2041/2042
8365	DRAIN HOSE HOLDER

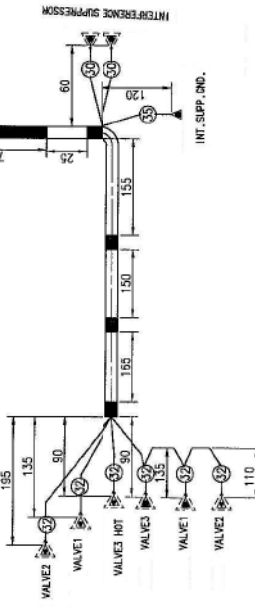
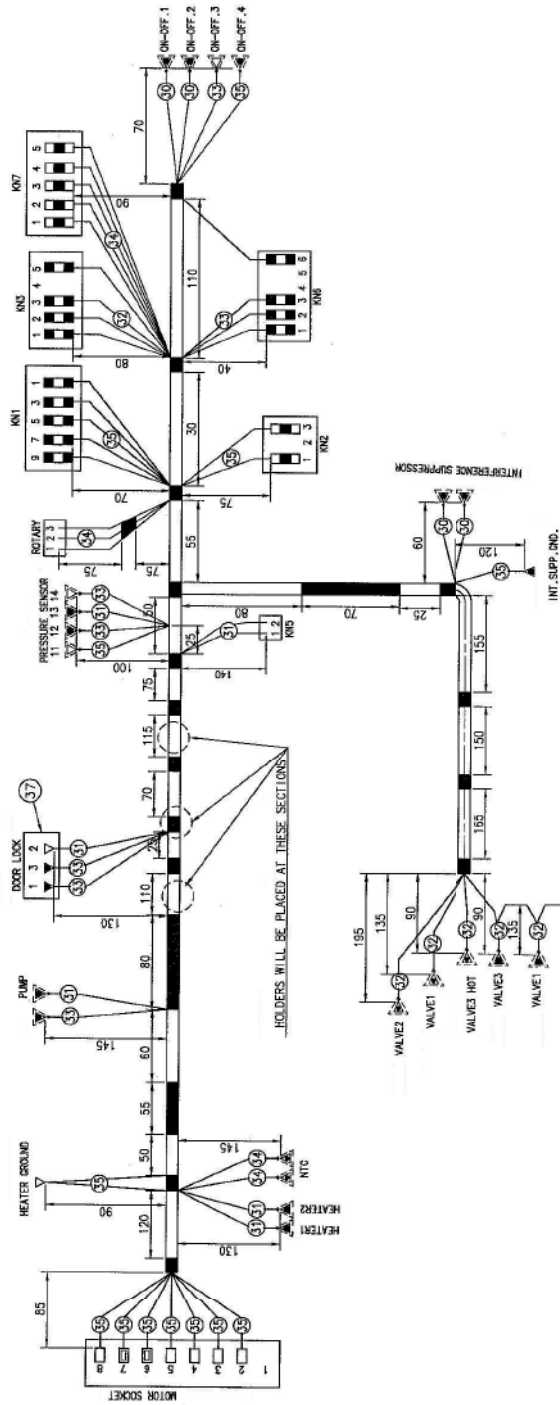


LAVE LINGE FRONT LF 605-2

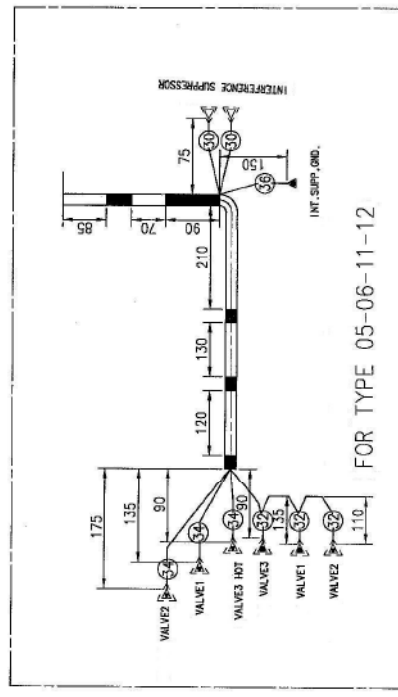




LAVE LINGE FRONT LF 605-2



FOR TYPE 03-04-09-10



FOR TYPE 05-06-11-12



LAVE LINGE FRONT LF 605-2

