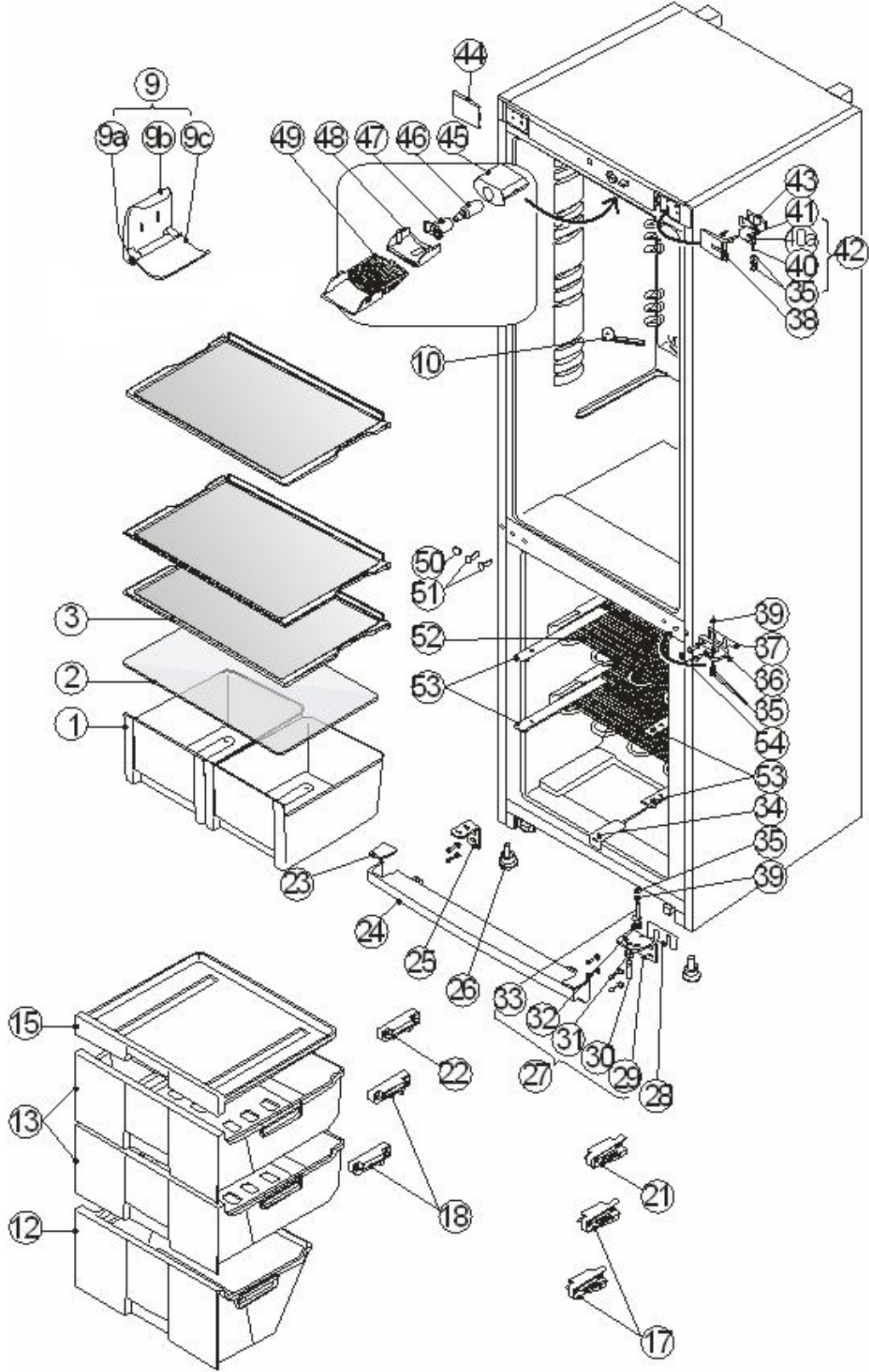


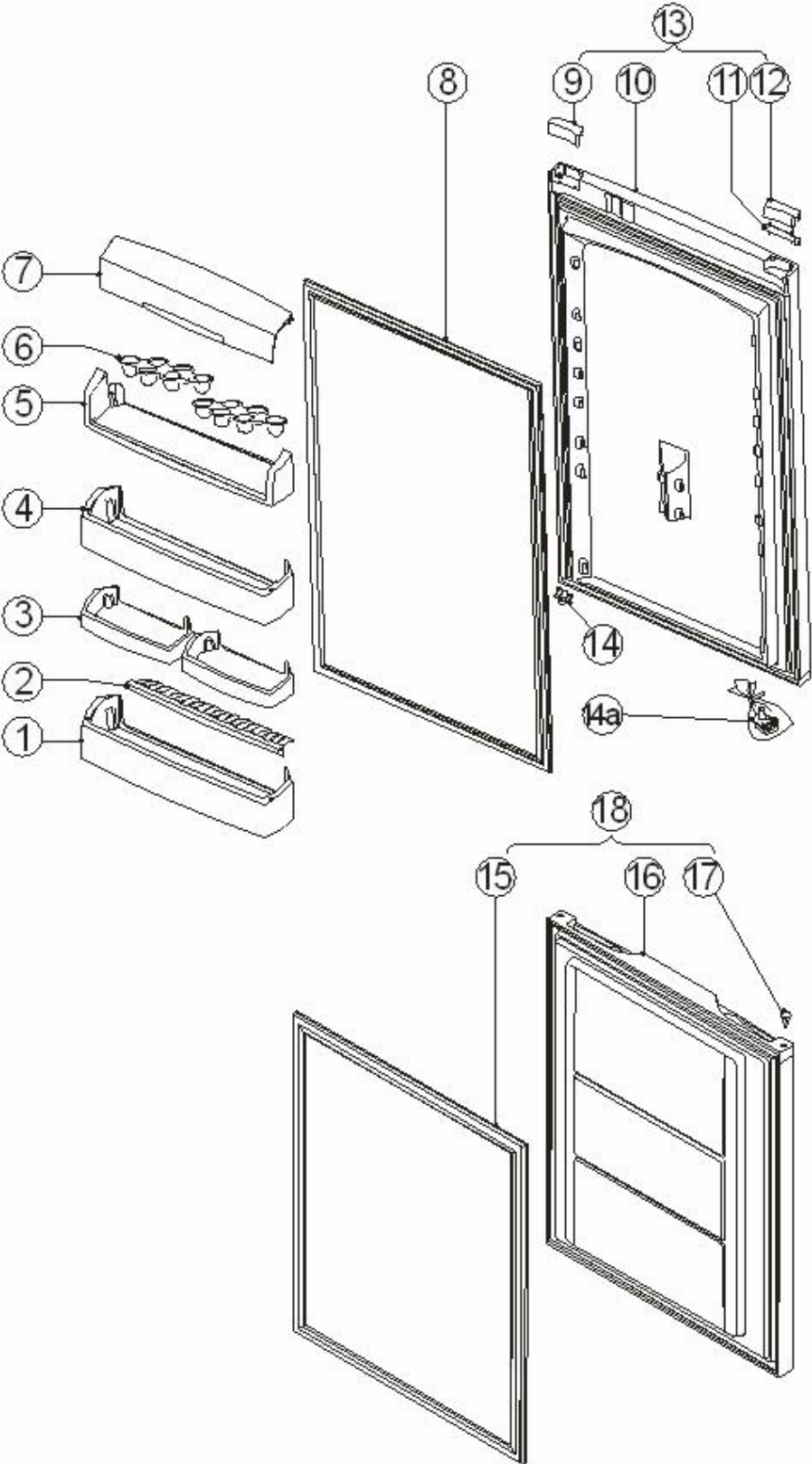
REFRIGERATEUR ERC 301b



Repère A

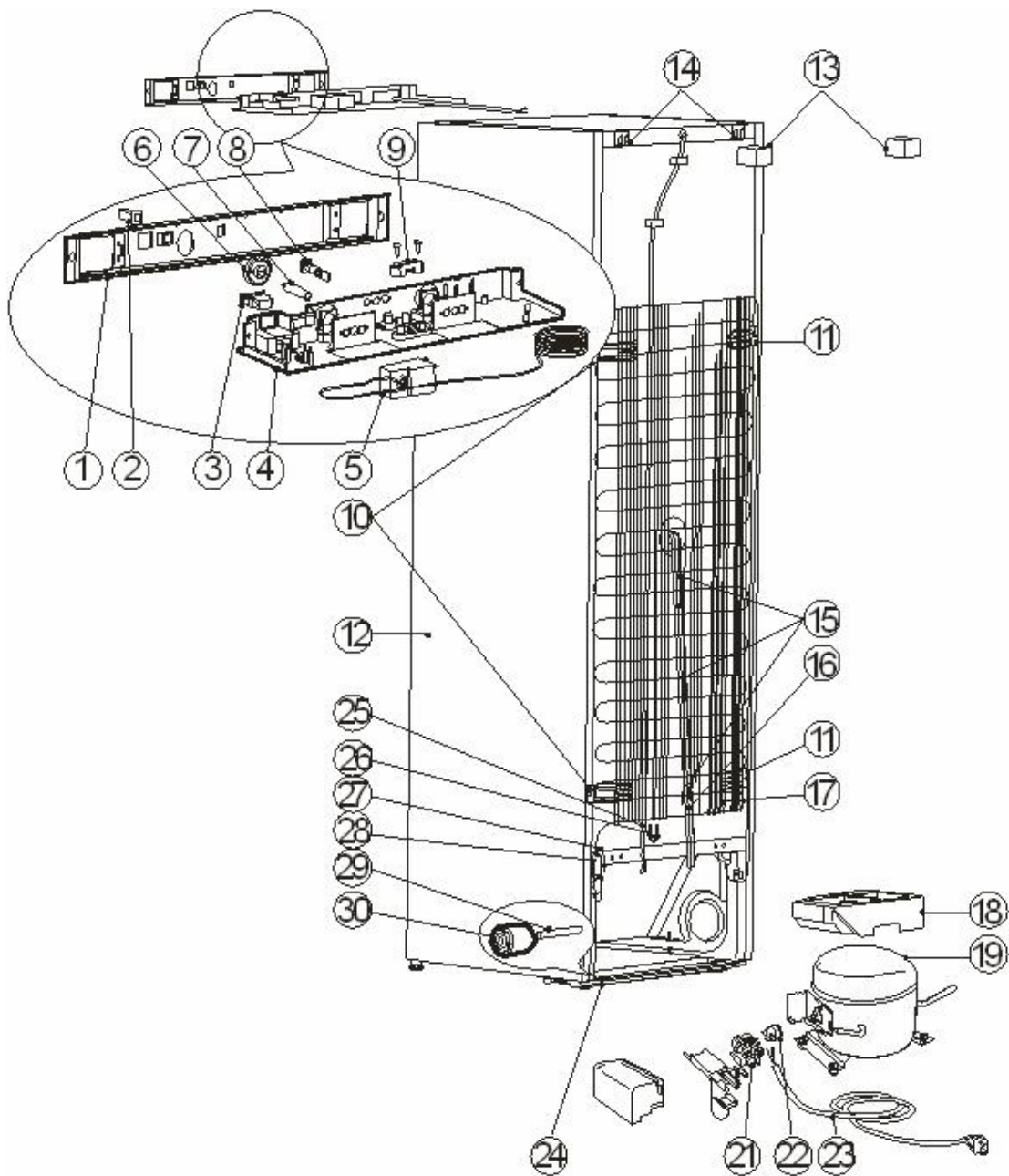
REFRIGERATEUR

ERC 301b



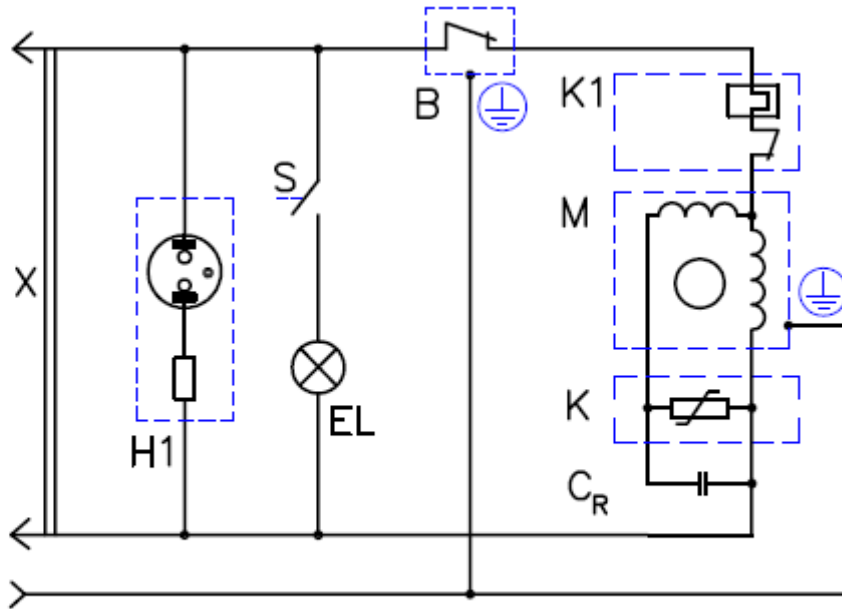
Repère B

REFRIGERATEUR ERC 301b



Repère C

REFRIGERATEUR ERC 301b



DESIGNATION	DESCRIPTION	QUANTITY	NOTE
X	CORDSET	1	
H1	INDICATOR (GREEN)	1	
EL	LIGHTING LAMP	1	
S	LIGHT SWITCH	1	
B	THERMOSTAT	1	
M	COMPRESSOR	1	
K	STARTING DEVICE – PTC	1	
K1	OVERLOAD PROTECTOR	1	
C _R	RUN CAPACITOR	1 *	*) where applicable