

## DH-IPC-HDB(W)8281-Z

---

### 2MP Starlight Ultra-smart Network (IR) Dome Camera



#### Features

- 1/1.9" 2 Megapixel progressive scan CMOS
- Support H.264,MJPEG dual codec
- Smart triple streams supported
- Max 50/60fps@1080P
- Light-Hunt: 0.005Lux/F1.65 (Color)
- Ultra WDR (Wide Dynamic Range) up to 120dB
- Ultra 3D DNR
- Ultra Defog, ROI, EIS
- Smart detection
- Intelligent Function
- 4~8mm varifocal motorized lens
- Micro SD memory,IP66,IK10,PoE

# DH-IPC-HDB(W)8281-Z

## Technical Specifications

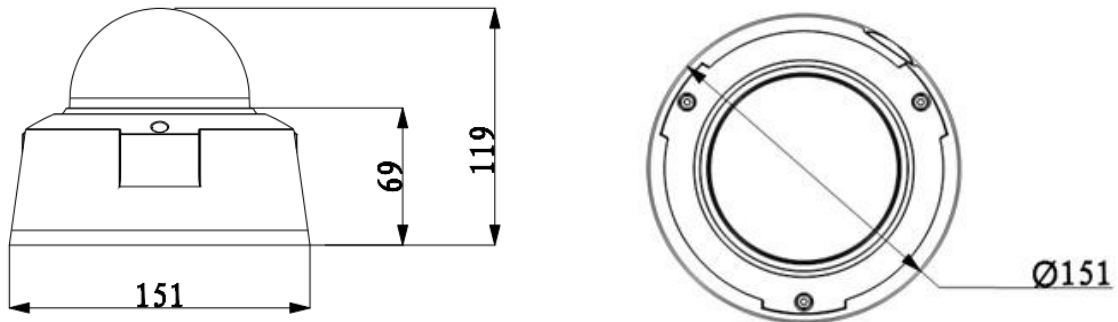
| Model                    |                                                                | IPC-HDB8281-Z             | IPC-HDBW8281-Z |
|--------------------------|----------------------------------------------------------------|---------------------------|----------------|
| <b>Camera</b>            |                                                                |                           |                |
| Image Sensor             | 1/1.9" 2Megapixel progressive scan Exmor CMOS                  |                           |                |
| Effective Pixels         | 1920(H)x1080(V)                                                |                           |                |
| Scanning System          | Progressive                                                    |                           |                |
| Electronic Shutter Speed | Auto/Manual 1/3(4)~1/10000                                     |                           |                |
| Min. Illumination        | 0.005Lux/F1.65 (Color), 0Lux/F1.65(IR on)                      |                           |                |
| S/N Ratio                | More than 50dB                                                 |                           |                |
| Video Output             | 1 port                                                         |                           |                |
| <b>Camera Features</b>   |                                                                |                           |                |
| Max. IR LEDs Length      | N/A                                                            | 30m                       |                |
| Day/Night                | Auto(ICR)/Color/B/W                                            |                           |                |
| Backlight Compensation   | BLC / HLC / WDR(120 dB)                                        |                           |                |
| White Balance            | Auto                                                           |                           |                |
| Gain Control             | Auto/Manual                                                    |                           |                |
| Noise Reduction          | 3D                                                             |                           |                |
| Privacy Masking          | Up to 4 areas                                                  |                           |                |
| <b>Lens</b>              |                                                                |                           |                |
| Focal Length             | 4~8mm                                                          |                           |                |
| Max Aperture             | F1.65                                                          |                           |                |
| Focus Control            | Auto                                                           |                           |                |
| Angle of View            | H: 105°(Wide)~56°(Tele)                                        |                           |                |
| Lens Type                | Motorized /Auto Iris(DC)                                       |                           |                |
| Mount Type               | Board-in Type                                                  |                           |                |
| <b>Video</b>             |                                                                |                           |                |
| Compression              | H.264 / MJPEG                                                  |                           |                |
| Resolution               | 1080P(1920×1080) / 720P(1280×720) / D1(704×576) / CIF(352×288) |                           |                |
| Frame Rate               | Main Stream                                                    | 1080P/720P(1~50/60fps)    |                |
|                          | Sub Stream                                                     | D1/CIF(1 ~ 50/60fps)      |                |
|                          | Third Stream                                                   | 1080P/720P/D1(1~25/30fps) |                |
| Bit Rate                 | H.264: 32K ~ 8192Kbps                                          |                           |                |
| <b>Audio</b>             |                                                                |                           |                |
| Compression              | G.711a / G.711u                                                |                           |                |
| Interface                | 1/1 channel In/Out                                             |                           |                |
| <b>Smart Function</b>    |                                                                |                           |                |
| Smart detection          | Tripwire                                                       |                           |                |
|                          | Intrusion                                                      |                           |                |
|                          | Scene change                                                   |                           |                |
|                          | Missing/Abandoned                                              |                           |                |
|                          | Audio detect                                                   |                           |                |
| Intelligent function     | People counting                                                |                           |                |

## DH-IPC-HDB(W)8281-Z

|                            |                                                                                                                                              |
|----------------------------|----------------------------------------------------------------------------------------------------------------------------------------------|
|                            | Heat map                                                                                                                                     |
| <b>Network</b>             |                                                                                                                                              |
| Ethernet                   | RJ-45 (10/100Base-T)                                                                                                                         |
| Wi-Fi                      | N/A                                                                                                                                          |
| Protocol                   | IPv4/IPv6, HTTP, HTTPS, SSL, TCP/IP, UDP, UPnP, ICMP, IGMP, SNMP, RTSP, RTP, SMTP, NTP, DHCP, DNS, PPPOE, DDNS, FTP, IP Filter, QoS, Bonjour |
| ONVIF                      | ONVIF PSIA CGI                                                                                                                               |
| Max. User Access           | 20 users                                                                                                                                     |
| Smart Phone                | iPhone, iPad, Android, Windows Phone                                                                                                         |
| <b>Auxiliary Interface</b> |                                                                                                                                              |
| Memory Slot                | Micro SD, Max 64GB                                                                                                                           |
| RS485                      | N/A                                                                                                                                          |
| Alarm                      | 1/1 channel In/Out                                                                                                                           |
| PIR Sensor Range           | N/A                                                                                                                                          |
| <b>General</b>             |                                                                                                                                              |
| Power Supply               | DC12V/AC24V, PoE(802.3af)                                                                                                                    |
| Power Consumption          | <12W (IR on: +2W)                                                                                                                            |
| Working Environment        | -30°C~+60°C , Less than 95%RH                                                                                                                |
| Ingress Protection         | IP66                                                                                                                                         |
| Vandal Resistance          | IK10                                                                                                                                         |
| Dimensions                 | Φ151mm×119mm                                                                                                                                 |
| Weight                     | 1.25kg                                                                                                                                       |

# DH-IPC-HDB(W)8281-Z

## Dimensions (mm)



## Accessories (optional)

|                                                                                    |                                                                                    |                                                                                    |                                                                                     |                                                                                      |
|------------------------------------------------------------------------------------|------------------------------------------------------------------------------------|------------------------------------------------------------------------------------|-------------------------------------------------------------------------------------|--------------------------------------------------------------------------------------|
|  |  |  |  |  |
| PFA100                                                                             | PFB302S                                                                            | PFA132                                                                             | PFA152                                                                              | PFA151                                                                               |

### Dahua Technology Co., Ltd.

1199 BinAn Road, Binjiang District, Hangzhou, China

Tel: +86-571-87688883

Fax: +86-571-87688815

Email: [overseas@dahuatech.com](mailto:overseas@dahuatech.com)

[www.dahuatech.com](http://www.dahuatech.com)

\*Design and specifications are subject to change without notice.

© 2014 Dahua Technology Co., Ltd.