

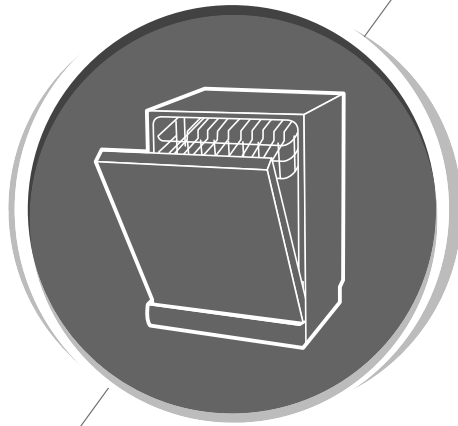
Brandt



INSTRUCTION MANUAL EN

Dishwasher

BBJ3424LB



Dishwasher

Instruction Manual

PART I : Generic Version

CONTENTS

01	3	SAFETY INFORMATION
02	8	PRODUCT OVERVIEW
03	9	USING YOUR DISHWASHER
	9	Loading The Salt Into The Softener
	11	Basket Loading Tips
04	13	MAINTENANCE AND CLEANING
	13	External Care
	13	Internal Care
	16	Caring For The Dishwasher
05	17	INSTALLATION INSTRUCTION
	17	Power Connection
	18	Water Supply And Drain
	19	Connection Of Drain Hoses
	20	Positioning The Appliance
	20	Built-In Installation (for the integrated model)
06	25	TROUBLESHOOTING TIPS
	28	Availability Of Spare Parts
07	29	LOADING THE BASKETS

NOTE:

- Reviewing the section on Troubleshooting Tips will help you solve some common problems by yourself.
- If you cannot solve the problems by yourself, please ask for help from a professional technician.
- The manufacturer, following a policy of constant development and updating of the product, may make modifications without giving prior notice.
- If lost or out-of-date, you can receive a new user manual from the manufacturer or responsible vendor.

|| SAFETY INFORMATION

⚠ WARNING

When using your dishwasher, follow the precautions listed below:

- Installation and repair can only be carried out by a qualified technician
- This appliance is intended to be used in household and similar applications such as:
 - staff kitchen areas in shops, offices and other working environments;
 - farm houses;
 - by clients in hotels, motels and other residential type environments;
 - bed and breakfast type environments.
- This appliance can be used by children aged from 8 years and above and persons with reduced physical, sensory or mental capabilities or lack of experience and knowledge if they have been given supervision or instruction concerning use of the appliance in a safe way and understand the hazards involved. Children shall not play with the appliance. Cleaning and user maintenance shall not be done by children without supervision. (For EN60335-1)
- This appliance is not intended for use by persons (including children) with reduced physical, sensory or mental capabilities, or lack of experience and knowledge, unless they have been given supervision or instruction concerning use of the appliance by a person responsible for their safety. (For IEC60335-1)

- Packaging material could be dangerous for children!
- Children should be supervised to ensure that they do not play with the appliance.
- This appliance is for indoor household use only.
To protect against the risk of electrical shock, do not immerse the unit, cord or plug in water or other liquid.
- Please unplug before cleaning and maintenance the appliance .Use a soft cloth moisten with mild soap, and then use a dry cloth to wipe it again.
- If the supply cord is damaged, it must be replaced by the manufacturer or its service agent or a similarly qualified person in order to avoid a hazard.

Earthing Instructions

- This appliance must be earthed. In the event of a malfunction or breakdown, earthing will reduce the risk of an electric shock by providing a path of least resistance of electric current. This appliance is equipped with an earthing conductor plug.
- The plug must be plugged into an appropriate outlet that is installed and earthed in accordance with all local codes and ordinances.
- Improper connection of the equipment-earthing conductor can result in the risk of an electric shock.
- Check with a qualified electrician or service representative if you are in doubt whether the appliance is properly grounded.

- Do not modify the plug provided with the appliance if it does not fit the outlet.
- Have a proper outlet installed by a qualified electrician.
- Do not abuse, sit on, or stand on the door or dish rack of the dishwasher.
- Do not operate your dishwasher unless all enclosure panels are properly in place.
- Open the door very carefully if the dishwasher is operating, there is a risk of water squirting out.
- Do not place any heavy objects on or stand on the door when it is open. The appliance could tip forward.
- When loading items to be washed:
 - 1) Locate sharp items so that they are not likely to damage the door seal;
 - 2) Warning: Knives and other utensils with sharp points must be loaded in the basket with their points facing down or placed in a horizontal position.
- Some dishwasher detergents are strongly alkaline. They can be extremely dangerous if swallowed. Avoid contact with the skin and eyes and keep children away from the dishwasher when the door is open.
- Check that there are no detergent residues after completion of the wash cycle.
- Do not wash plastic items unless they are marked "dishwasher safe" or the equivalent.

- For unmarked plastic items not so marked, check the manufacturer's recommendations.
- Use only detergent and rinse agents recommended for use in an automatic dishwasher.
- Never use soap, laundry detergent, or hand washing detergent in your dishwasher.
- The door should not be left open, since this could increase the risk of tripping.
- During installation, the power supply must not be excessively or dangerously bent or flattened.
- Do not tamper with controls.
- The appliance needs to be connected to the main water valve using new hose sets. Old sets should not be reused.
- To save energy, in stand by mode, the appliance will switch off automatically after 15 minutes without any user interaction.
- The maximum number of place settings to be washed is 14.
- The maximum permissible inlet water pressure is 1MPa.
- The minimum permissible inlet water pressure is 0.04MPa.

Disposal

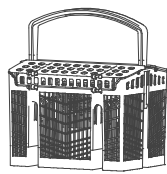
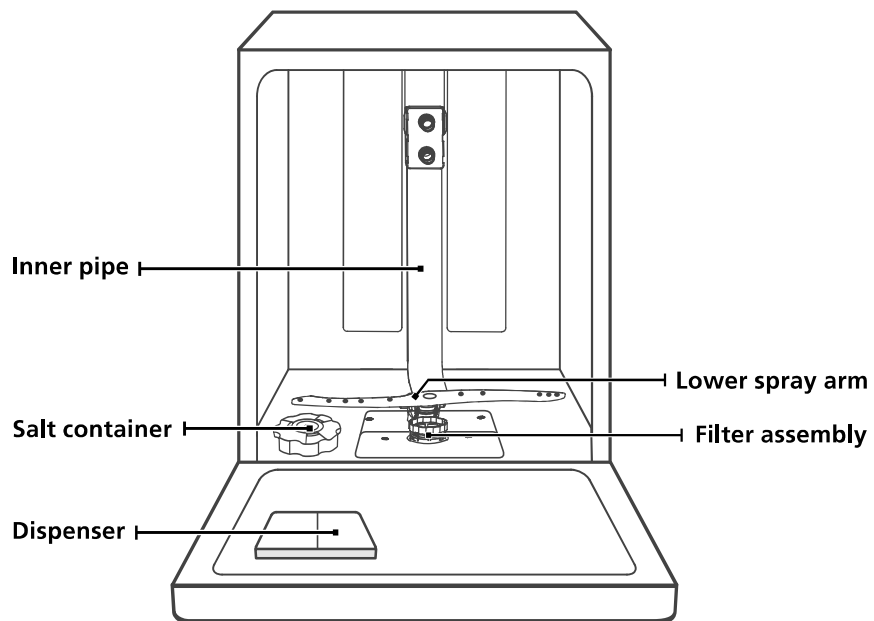
- For disposing of package and the appliance please go to a recycling center. Therefore cut off the power supply cable and make the door closing device unusable.
- Cardboard packaging is manufactured from recycled paper and should be disposed in the waste paper collection for recycling.
- By ensuring this product is disposed of correctly, you will help prevent potential negative consequences for the environment and human health, which could otherwise be caused by inappropriate waste handling of this product.
- For more detailed information about recycling of this product, please contact your local city office and your household waste disposal service.
- **DISPOSAL: Do not dispose this product as unsorted municipal waste. Collection of such waste separately for special treatment is necessary.**



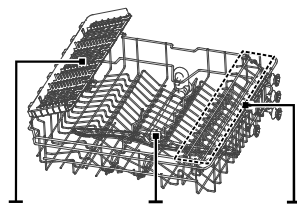
PRODUCT OVERVIEW

ⓘ IMPORTANT:

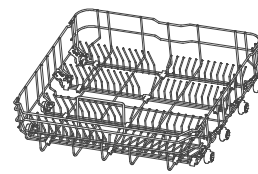
To get the best performance from your dishwasher, read all operating instructions before using it for the first time.



Cutlery basket



Cutlery rack Upper spray arm Cup rack
Upper basket



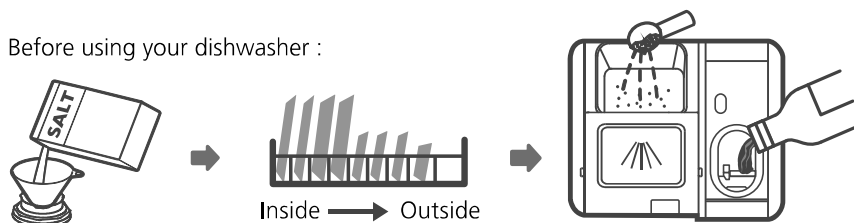
Lower basket

💡 NOTE:

Pictures are only for reference, different models may be different.

|| USING YOUR DISHWASHER

Before using your dishwasher :



1. Set the water softener
2. Loading the salt Into the softener
3. Loading the basket
4. Fill the detergent dispenser



Please check the section 1 “Water Softener” of PART II : Special Version, If you need to set the water softener .

• Loading The Salt Into The Softener

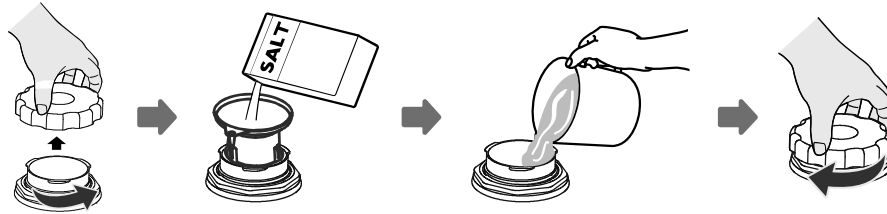
💡 NOTE:

If your model does not have any water softener, you may skip this section. Always use salt intended for dishwasher use. The salt container is located beneath the lower basket and should be filled as explained in the following:

⚠ WARNING


- **Only use salt specifically designed for dishwashers use!**
Every other type of salt not specifically designed for dishwasher use, especially table salt, will damage the water softener. In case of damages caused by the use of unsuitable salt the manufacturer does not give any warranty nor is liable for any damages caused.
- **Only fill with salt before running a cycle.**
This will prevent any grains of salt or salty water, which may have been spilled, remaining on the bottom of the machine for any period of time, which may cause corrosion.

Please follow the steps below for adding dishwasher salt:



1. Remove the lower basket and unscrew the reservoir cap.
2. Place the end of the funnel (if supplied) into the hole and pour in about 1.5 kg of dishwasher salt.
3. Fill the salt container to its maximum limit with water, It is normal for a small amount of water to come out of the salt container.
4. After filling the container, screw back the cap tightly.
5. The salt warning light will turn off after the salt container has been filled with salt.
6. Immediately after filling the salt into the salt container, a washing program should be started (We suggest to use a short program). Otherwise the filter system, pump or other important parts of the machine may be damaged by salty water. This is out of warranty.

 **NOTE:**

- The salt container must only be refilled when the salt warning light () in the control panel comes on. Depending on how well the salt dissolves, the salt warning light may still be on even though the salt container is filled. If there is no salt warning light in the control panel (for some models), you can estimate when to fill the salt into the softener by the cycles that the dishwasher has run.
- If salt has spilled, run a soak or quick program to remove it.

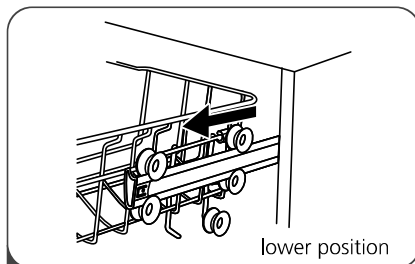
Basket Loading Tips

Adjusting the upper basket

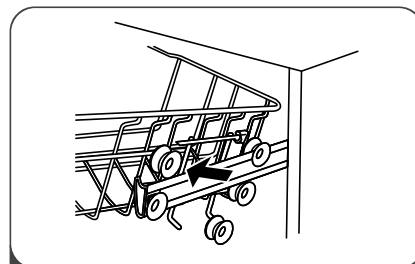
Type 1:

The height of the upper basket can be easily adjusted to accommodate taller dishes in either the upper or lower basket.

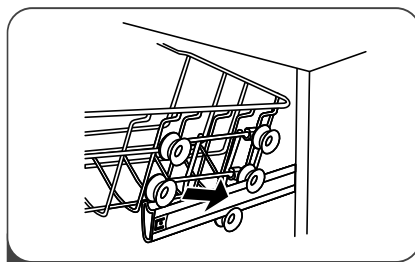
To adjust the height of the upper rack, follow these steps:



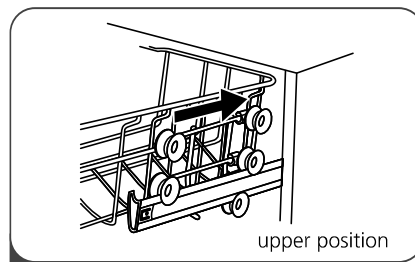
1 Pull out the upper basket.



2 Remove the upper basket.

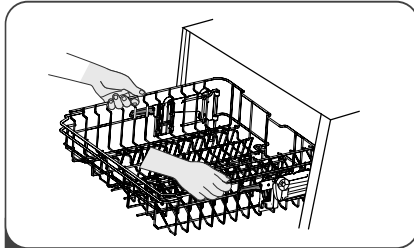


3 Re-attach the upper basket to upper or lower rollers.

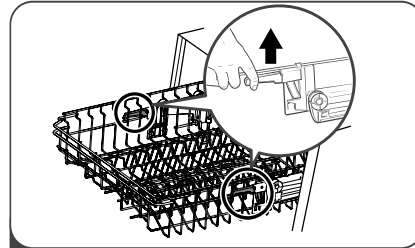


4 Push in the upper basket.

Type 2:



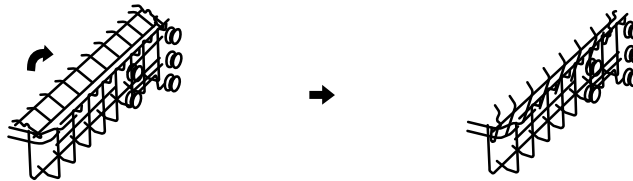
1 To raise the upper basket, just lift the upper basket at the center of each side until the basket locks into place in the upper position. It is not necessary to lift the adjuster handle.



2 To lower the upper basket, lift the adjust handles on each side to release the basket and lower it to the lower position.

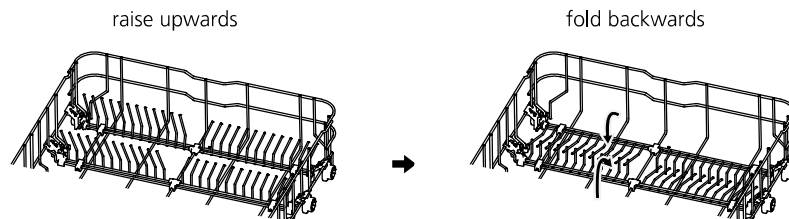
Folding back the cup shelves

To make room for taller items in the upper basket, raise the cup rack upwards. You can then lean the tall glasses against it.



Folding back the rack shelves

The spikes of the lower basket are used for holding plates and a platter. They can be lowered to make more room for large items.



|| MAINTENANCE AND CLEANING

• External Care

The door and the door seal

Clean the door seals regularly with a soft damp cloth to remove food deposits. When the dishwasher is being loaded, food and drink residues may drip onto the sides of the dishwasher door. These surfaces are outside the wash cabinet and are not accessed by water from the spray arms. Any deposits should be wiped off before the door is closed.

The control panel

If cleaning is required, the control panel should be wiped with a soft damp cloth only.

WARNING

- To avoid penetration of water into the door lock and electrical components, do not use a spray cleaner of any kind.
- Never use abrasive cleaners or scouring pads on the outer surfaces because they may scratch the finish. Some paper towels may also scratch or leave marks on the surface.

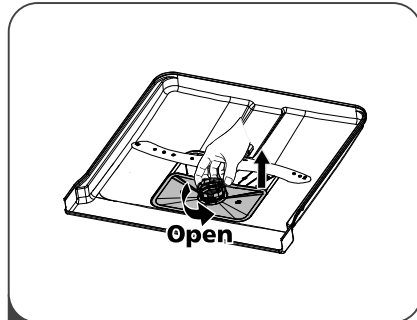
• Internal Care

Filtering system

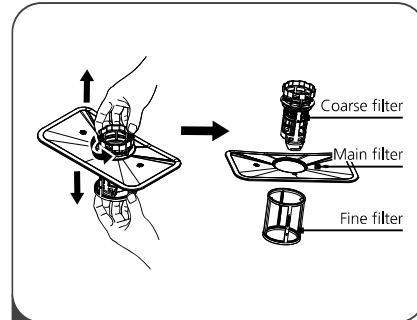
The filtering system in the base of the wash cabinet retains coarse debris from the washing cycle, including foreign objects such as tooth picks or shards. The collected coarse debris may cause the filters to clog. Check the condition of the filters regularly, carefully remove foreign objects and clean the parts of the filtering system if necessary with water. Follow the steps below to clean the filter.

NOTE:

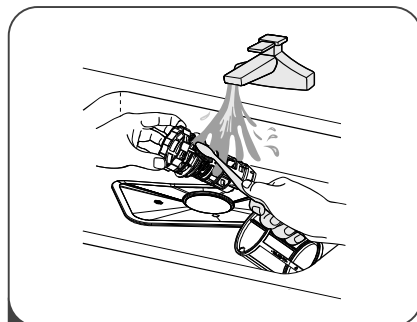
Pictures are only for reference, different models of the filtering system and spray arms may be different.



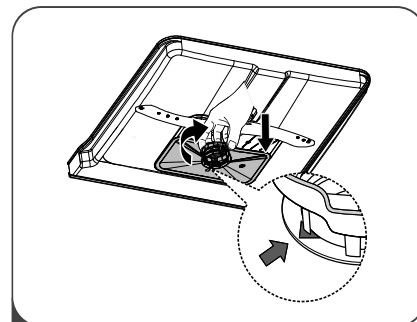
1 Hold the coarse filter and rotate it anticlockwise to unlock the filter. Lift the filter upwards and out of the dishwasher.



2 The fine filter can be pulled off the bottom of the filter assembly. The coarse filter can be detached from the main filter by gently squeezing the tabs at the top and pulling it away.



3 Larger food remnants can be cleaned by rinsing the filter under running water. For a more thorough clean, use a soft cleaning brush.



4 Reassemble the filters in the reverse order of the disassembly, replace the filter insert, and rotate clockwise to the close arrow.

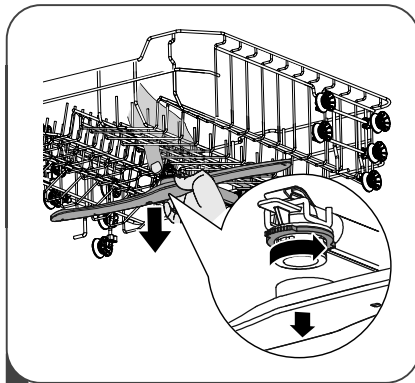
⚠ WARNING

- Do not over tighten the filters. Put the filters back in sequence securely, otherwise coarse debris could get into the system and cause a blockage.
- Never use the dishwasher without filters in place. Improper replacement of the filter may reduce the performance level of the appliance and damage dishes and utensils.

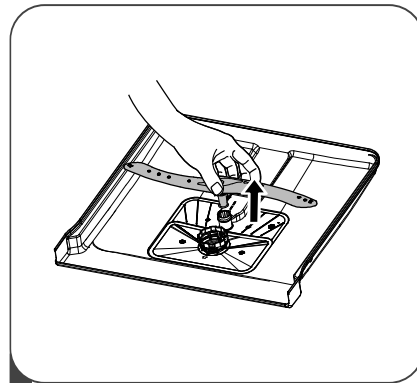
Spray arms

It is necessary to clean the spray arms regularly for hard water chemicals will clog the spray arm jets and bearings.

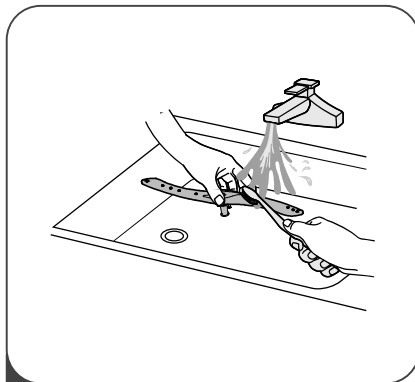
To clean the spray arms, follow the instructions below:



- 1** To remove the upper spray arm, hold the nut in the center still and rotate the spray arm counterclockwise to remove it.



- 2** To remove the lower spray arm, pull out the spray arm upward.



- 3** Wash the arms in soapy and warm water and use a soft brush to clean the jets.

Caring For The Dishwasher

Frost precaution

Please take frost protection measures on the dishwasher in winter. Every time after washing cycles, please operate as follows:

1. Cut off the electrical power to the dishwasher at the supply source.
2. Turn off the water supply and disconnect the water inlet pipe from the water valve.
3. Drain the water from the inlet pipe and water valve. (Use a pan to gather the water)
4. Reconnect the water inlet pipe to the water valve.
5. Remove the filter at the bottom of the tub and use a sponge to soak up water in the sump.

After every wash

After every wash, turn off the water supply to the appliance and leave the door slightly open for a while so that moisture and odors are not trapped inside.

Remove the plug

Before cleaning or performing maintenance, always remove the plug from the socket.

No solvents or abrasive cleaning

To clean the exterior and rubber parts of the dishwasher, do not use solvents or abrasive cleaning products. Only use a cloth with warm soapy water.

To remove spots or stains from the surface of the interior, use a cloth dampened with water and a little vinegar, or a cleaning product made specifically for dishwashers.

When not in use for a long time

It is recommended that you run a wash cycle with the dishwasher empty and then remove the plug from the socket, turn off the water supply and leave the door of the appliance slightly open. This will help the door seals to last longer and prevent odors from forming within the appliance.

Moving the appliance

If the appliance must be moved, try to keep it in the vertical position. If absolutely necessary, it can be positioned on its back.

Seals

One of the factors that cause odours to form in the dishwasher is food that remains trapped in the seals. Periodic cleaning with a damp sponge will prevent this from occurring.

|| INSTALLATION INSTRUCTION

⚠ WARNING



Electrical Shock Hazard

Disconnect electrical power before installing dishwasher.

Failure to do so could result in death or electrical shock.

⚠ Attention

The installation of the pipes and electrical equipments should be done by professionals.

• About Power Connection

⚠ WARNING

For personal safety:

- Do not use an extension cord or an adapter plug with this appliance.
- Do not, under any circumstances, cut or remove the earthing connection from the power cord.

Electrical requirements

Please look at the rating label to know the rating voltage and connect the dishwasher to the appropriate power supply. Use the required fuse 10A/13A/16A, time delay fuse or circuit breaker recommended and provide separate circuit serving only this appliance.

Electrical connection

Ensure the voltage and frequency of the power being corresponds to those on the rating plate. Only insert the plug into an electrical socket which is earthed properly. If the electrical socket to which the appliance must be connected is not appropriate for the plug, replace the socket, rather than using a adaptors or the like as they could cause overheating and burns.

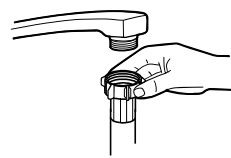
⚠ Ensure that proper earthing exists before use

Water Supply And Drain

Cold water connection

Connect the cold water supply hose to a threaded 3/4(inch) connector and make sure that it is fastened tightly in place.

If the water pipes are new or have not been used for an extended period of time, let the water run to make sure that the water is clear. This precaution is needed to avoid the risk of the water inlet to be blocked and damage the appliance.



ordinary supply hose



safety supply hose

About the safety supply hose

The safety supply hose consists of the double walls. The system guarantees its intervention by blocking the flow of water in case of the supply hose breaking and when the air space between the supply hose itself and the outer corrugated hose is full of water.

⚠ WARNING

A hose that attaches to a tap can burst if it is installed on the same water line as the dishwasher. If your sink has one, it is recommended that the hose be disconnected and the hole plugged.

How to connect the safety supply hose

1. Pull the safety supply hoses out from storage compartment located at rear of dishwasher.
2. Tighten the screws of the safety supply hose to the faucet with thread 3/4inch.
3. Turn the water fully on before starting the dishwasher.

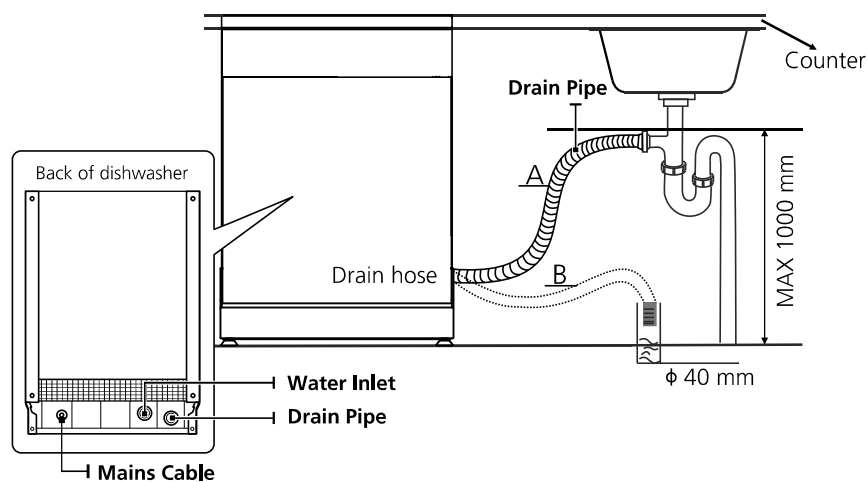
How to disconnect the safety supply hose

1. Turn off the water.
2. Unscrew the safety supply hose from the faucet.

Connection Of Drain Hoses

Insert the drain hose into a drain pipe with a minimum diameter of 4 cm, or let it run into the sink, making sure to avoid bending or crimping it. The height of drain pipe must be less than 1000 mm. The free end of the hose must not be immersed in water to avoid the back flow of it.

⚠ Please securely fix the drain hose in either position A or position B



How to drain excess water from hoses

If the connection to the drain pipe is positioned higher than 1000 mm, excess water may remain in the drain hose. It will be necessary to drain excess water from the hose into a bowl or suitable container that is held outside and lower than the sink.

Water outlet

Connect the water drain hose. The drain hose must be correctly fitted to avoid water leaks. Ensure that the water drain hose is not kinked or squashed.

Extension hose

If you need a drain hose extension, make sure to use a similar drain hose. It must not be longer than 4 meters, otherwise the cleaning effect of the dishwasher could be reduced.

Syphon connection

The waste connection must be at a height less than 1000 mm (maximum) from the bottom of the dishwasher.

Positioning The Appliance

Position the appliance in the desired location. The back should rest against the wall behind it, and the sides, along the adjacent cabinets or walls. The dishwasher is equipped with water supply and drain hoses that can be positioned either to the right or the left sides to facilitate proper installation.

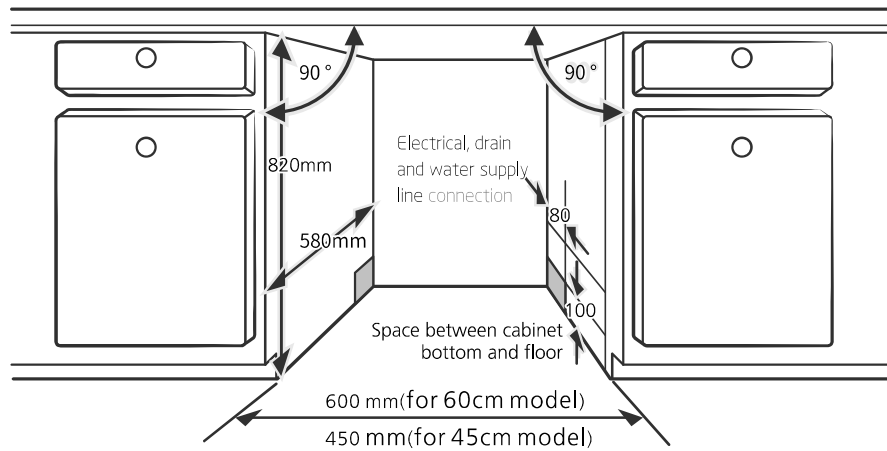
Built-In Installation (for the integrated model)

Step 1. Selecting the best location for the dishwasher

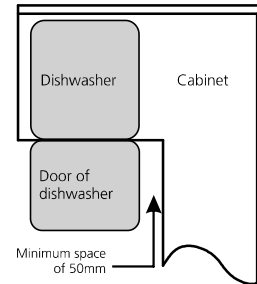
The installation position of the dishwasher should be near the existing inlet and drain hose and power socket.

Illustrations of cabinet dimensions and installation position of the dishwasher.

1. Less than 5 mm between the top of dishwasher and cabinet and the outer door aligned to cabinet.



- If dishwasher is installed at the corner of the cabinet, there should be some space when the door is opened.



NOTE:

Depending on where your electrical outlet is, you may need to cut a hole in the opposite cabinet side.

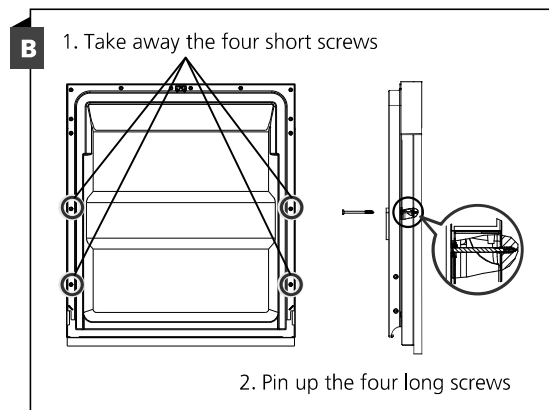
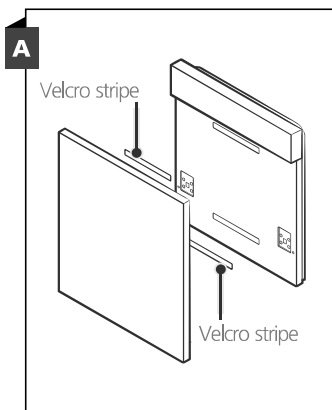
Step 2. Aesthetic panel's dimensions and installation



Follow the specific installation instruction for attaching the aesthetic door panel.

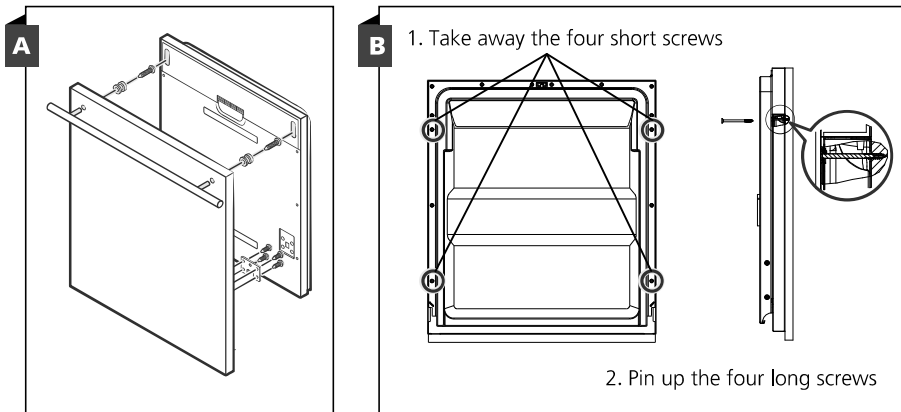
Semi-integrated model

Separate velcro stripe A and velcro stripe B and attach velcro stripe A on the inner side of the aesthetic panel. Attach the felted velcro stripe B on the outer door of dishwasher (see figure A). After positioning of the panel, fix the panel onto the outer door by screws and bolts (See figure B).



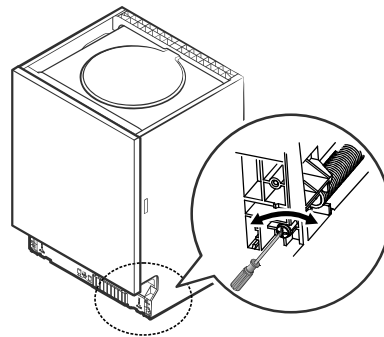
Fully-integrated model

Install the hook on the aesthetic panel and put the hook into the slot of the outer door of dishwasher (see figure A). After positioning of the panel, fix the panel onto the outer door by screws and bolts (See figure B).



Step 3. Tension adjustment of the door spring

1. The door springs are set at the factory to the proper tension for the outer door. If aesthetic panel are installed, you will have to adjust the door spring tension. Rotate the adjusting screw to drive the adjustor to strain or relax the steel cable.
2. Door spring tension is correct when the door remains horizontal in the fully opened position, yet rises to a close with the slight lift of a finger.

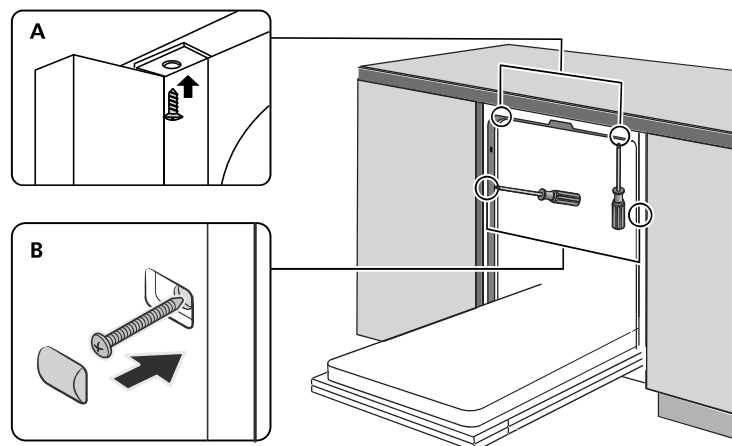


Step 4. Dishwasher installation steps



Please refer to the **specific installation steps in the installation drawings.**

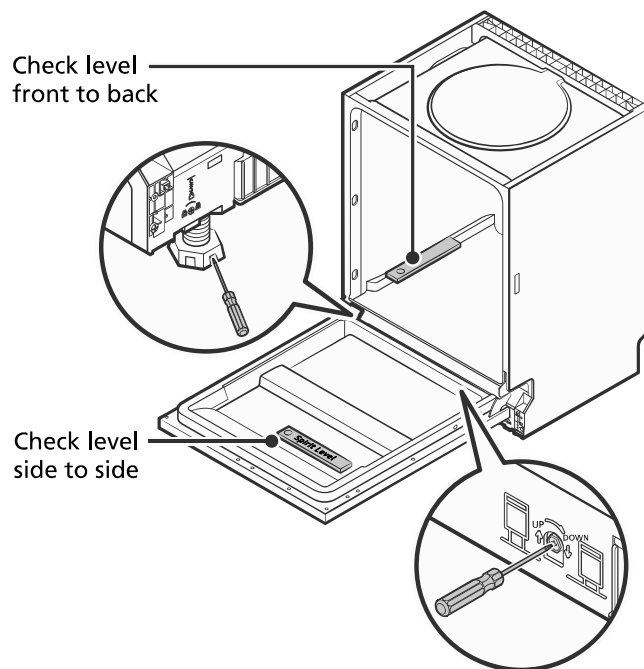
1. Affix the condensation strip under the work surface of cabinet. Please ensure the condensation strip is flush with edge of work surface. (Step 2)
2. Connect the inlet hose to the cold water supply.
3. Connect the drain hose.
4. Connect the power cord.
5. Place the dishwasher into the cabinet.
6. Level the dishwasher. The rear foot can be adjusted from the front of the dishwasher by turning the Philips screw in the middle of the base of dishwasher use a Philips screw driver. To adjust the front feet, use a flat screw driver and turn the front feet until the dishwasher is level. (Step 5 to Step 6)
7. Install the furniture door to the outer door of the dishwasher. (Step 7 to Step 10)
8. Adjust the tension of the door springs by using a Philips screw driver turning in a clockwise motion to tighten the left and right door springs. Failure to do this could cause damage to your dishwasher. (Step 11)
9. The dishwasher must be secured in place. There are two ways to do this:
 - A. Normal work surface: Put the installation hook into the slot of the side plane and secure it to the work surface with the screws.
 - B. Marble or granite work top: Fix the side with screws.



Step 5. Levelling the dishwasher

Dishwasher must be level for proper dish rack operation and wash performance.

1. Place a spirit level on door and rack track inside the tub as shown to check that the dishwasher is level.
2. Level the dishwasher by adjusting the three levelling feet individually.
3. When level the dishwasher, please pay attention not to let the dishwasher tip over.



NOTE:

The maximum adjustment height of the feet is 50 mm.

|| TROUBLESHOOTING TIPS

Before Calling For Service

Reviewing the charts on the following pages may save you from calling for service.

Problem	Possible Causes	What To Do
Dishwasher doesn't start	Fuse blown, or the circuit break tripped.	Replace fuse or reset circuit breaker. Remove any other appliances sharing the same circuit with the dishwasher.
	Power supply is not turned on.	Make sure the dishwasher is turned on and the door is closed securely. Make sure the power cord is properly plugged into the wall socket.
	Water pressure is low	Check that the water supply is connected properly and the water is turned on.
	Door of dishwasher not properly closed.	Make sure to close the door properly and latch it.
Water not pumped from dishwasher	Twisted or trapped drain hose.	Check the drain hose.
	Filter clogged.	Check the filter system.
	Kitchen sink clogged.	Check the kitchen sink to make sure it is draining well. If the problem is the kitchen sink that is not draining, you may need a plumber rather than a serviceman for dishwashers.
Foam in the tub	Wrong detergent.	Use only the special dishwasher detergent to avoid suds. If this occurs, open the dishwasher and let suds evaporate. Add 1 liter of cold water to the bottom of the dishwasher. Close the dishwasher door, then select any cycle. Initially, the dishwasher will drain out the water. Open the door after draining stage is complete and check if the suds have disappeared. Repeat if necessary.

Problem	Possible Causes	What To Do
	Spilled rinse aid.	Always wipe up rinse aid spills immediately.
Stained tub interior	Detergent with colourant may have been used.	Make sure that the detergent has no colourant.
White film on inside surface	Hard water minerals.	To clean the interior, use the damp soft cloth with dishwasher detergent and wear rubber gloves. Never use any other cleaner than dishwasher detergent otherwise, it may cause foaming or suds.
There are rust stains on cutlery	The affected items are not corrosion resistant.	Avoid washing items that are not corrosion resistant in the dishwasher.
	A program was not run after dishwasher salt was added. Traces of salt have gotten into the wash cycle.	Always run a wash program without any crockery after adding salt. Do not select the Turbo function (if present), after adding dishwasher salt.
	The lid of the softer is loose.	Check the softener lid is secure.
Knocking noise in the dishwasher	A spray arm is knocking against an item in a basket	Interrupt the program and rearrange the items which are obstructing the spray arm.
Rattling noise in the dishwasher	Items of crockery are loose in the dishwasher.	Interrupt the program and rearrange the items of crockery.
Knocking noise in the water pipes	This may be caused by on-site installation or the cross-section of the piping.	This has no influence on the dishwasher function. If in doubt, contact a qualified plumber.
The dishes are not clean	The dishes were not loaded correctly.	See PART II "Preparing And Loading Dishes".
	The program was not powerful enough.	Select a more intensive program.

Problem	Possible Causes	What To Do
The dishes are not clean.	Not enough detergent was dispensed.	Use more detergent, or change your detergent.
	Items are blocking the movement of the spray arms.	Rearrange the items so that the spray can rotate freely.
	The filter combination is not clean or is not correctly fitted in the base of wash cabinet. This may cause the spray arm jets to get blocked.	Clean and/or fit the filter correctly. Clean the spray arm jets.
Cloudiness on glassware.	Combination of soft water and too much detergent.	Use less detergent if you have soft water and select a shorter cycle to wash the glassware and to get them clean.
White spots appear on dishes and glasses.	Hard water area can cause limescale deposits.	Check water softener settings or fill status of salt container.
Black or grey marks on dishes	Aluminium utensils have rubbed against dishes	Use a mild abrasive cleaner to eliminate those marks.
Detergent left in dispenser	Dishes block detergent dispenser	Re-loading the dishes properly.
The dishes aren't drying	Improper loading	Use gloves if detergent residue can be found on dishes to avoid skin irritations.
	Dishes are removed too soon	Do not empty your dishwasher immediately after washing. Open the door slightly so that the steam can come out. Take out the dishes until the inside temperature is safe to touch. Unload the lower basket first to prevent the dropping water from the upper basket.

Problem	Possible Causes	What To Do
The dishes aren't drying	Wrong program has been selected.	With a short program, the washing temperature is lower, decreasing cleaning performance. Choose a program with a long washing time.
	Use of cutlery with a low-quality coating.	Water drainage is more difficult with these items. Cutlery or dishes of this type are not suitable for washing in the dishwasher.

⚠ WARNING

Self-repair or non-professional repair may cause serious risks to the safety of the user of the appliance and impact warranty.

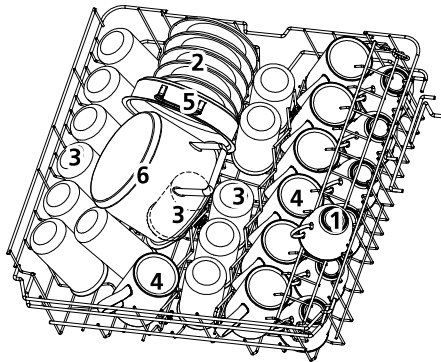
• Availability Of Spare Parts

- Ten years after placing the last unit of the model on the market

LOADING THE BASKETS ACCORDING TO EN60436:

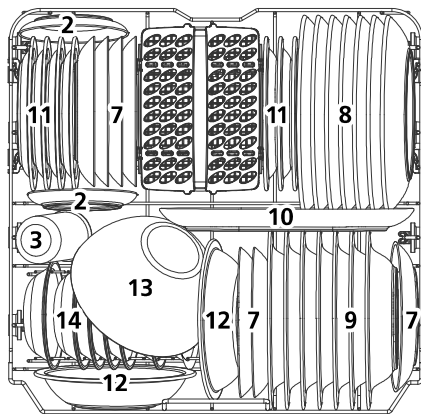
Loading the dishwasher to its full capacity will contribute to energy and water savings.

1.Upper basket:



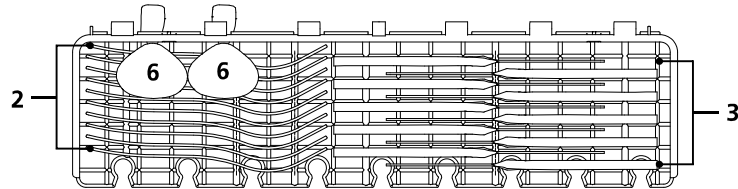
Number	Item
1	Cups
2	Saucers
3	Glasses
4	Mugs
5	Oven pot
6	Small pot

2.Lower basket:



Number	Item
7	Dessert plates
8	Dinner plates
9	Soup plates
10	Oval platter
11	Melamine dessert plates
12	Melamine bowls
13	Glass bowl
14	Dessert bowls
15	Cutlery basket

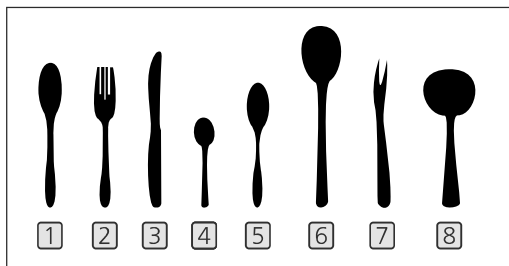
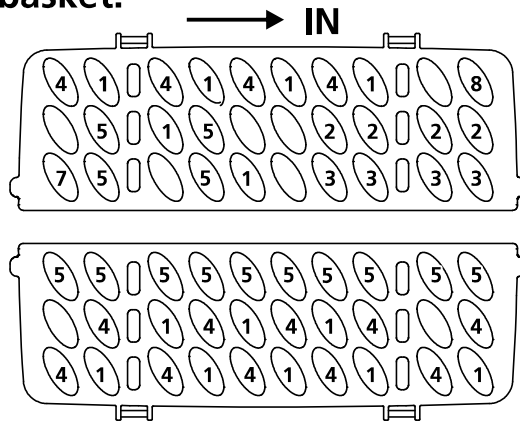
3. Cutlery rack:



NOTE:

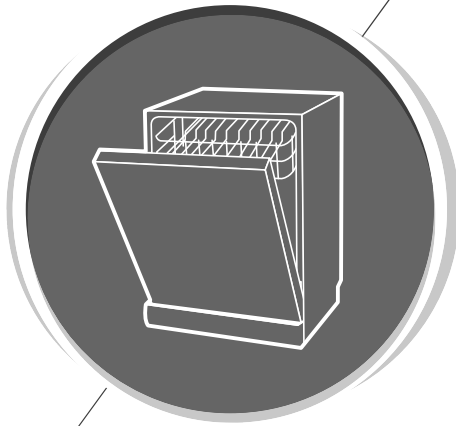
Please place the light flat wares on the shelf. The maximum loading weight is 1.5kg.

4. Cutlery basket:



Number	Item
1	Soup spoons
2	Forks
3	Knives
4	Tea spoons
5	Dessert spoons
6	Serving spoons
7	Serving fork
8	Gravy ladle

Information for comparability tests in accordance with EN60436
 Capacity: 14 place settings
 Position of the upper basket: lower position
 Program: ECO
 Rinse aid setting: Max
 Softener setting: H3



Dishwasher Instruction Manual

PART II : Special Version

CONTENTS

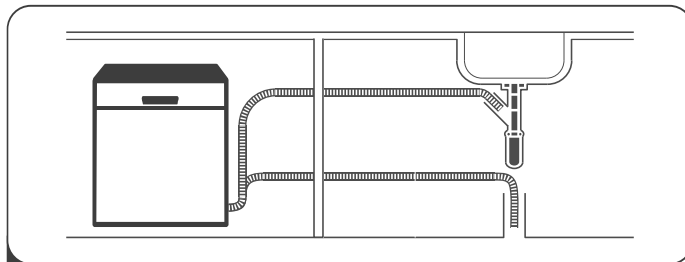
	4	USING YOUR DISHWASHER
	4	Control Panel
	6	Water Softener
01	7	Preparing And Loading Dishes
	10	Function Of The Rinse Aid And Detergent
	11	Filling The Rinse Aid Reservoir
	12	Filling The Detergent Dispenser
	13	PROGRAM SELECTION
	13	Wash Cycle Table
02	14	Saving Energy
	14	Starting A Program
	14	Changing The Program Mid-cycle
	15	Forget To Add A Dish?
	15	Auto Open
03	16	ERROR CODES
	17	USAGE COUNTER
04	18	TECHNICAL INFORMATION

NOTE:

- If you cannot solve the problems by yourself, please ask for help from a professional technician.
- The manufacturer, following a policy of constant development and updating of the product, may make modifications without giving prior notice.
- If lost or out-of-date, you can receive a new user manual from the manufacturer or responsible vendor.

QUICK USER GUIDE

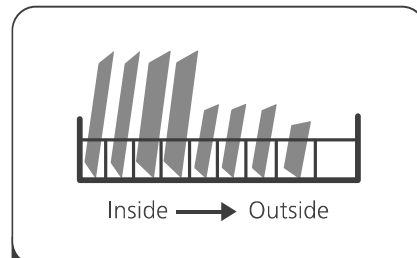
Please read the corresponding content on the instruction manual for detailed operating method.



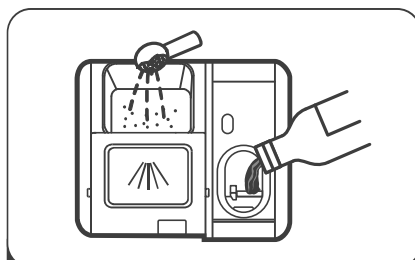
- 1 Install the dishwasher
(Please check the section 5 "INSTALLATION INSTRUCTION" of PART I : Generic Version.)



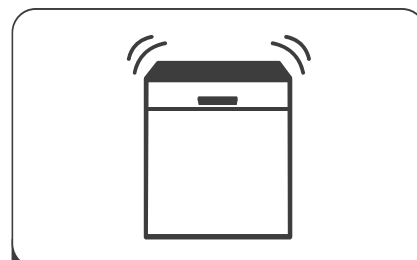
- 2 Remove larger residue from dishes.
Avoid pre-rinsing.



- 3 Load the baskets.



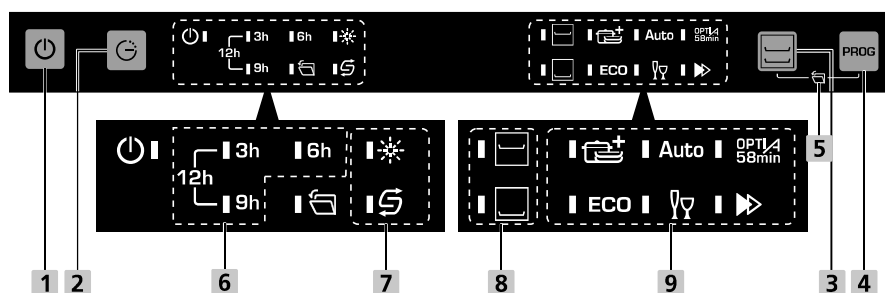
- 4 Fill the dispenser with detergent and rinse aid.



- 5 Select a suitable program and start the dishwasher.

USING YOUR DISHWASHER


Control Panel










Operation (Button)

1 Power	Press this button to turn on your dishwasher, The corresponding indicator will light up.
2 Delay	Press this button to set the delay time.
3 Alt	Press the button to select either upper basket or lower basket loaded, and the response indicator will be lit.
4 Program	Press this button to select the appropriate washing program, the program indicator will be lit.
5 Auto open	The dishwasher door opens automatically at the end of the program, which improves the drying results. Press and hold the "Alt" and "P" buttons for 2 seconds simultaneously to choose Auto-open or not. When you pressing this button, corresponding indicator will be lit. (It can only be used with ECO, Glass, Intensive,Auto, 58 Min).

Display

6 Delay time	To show the delay time (3h/6h/9h/12h), 3h and 9h light up at the same time to represent 12h.
7 Warning indicator	 Rinse Aid If the "☀" indicator is lit, it means the dishwasher is low on dishwasher rinse aid and requires a refill.

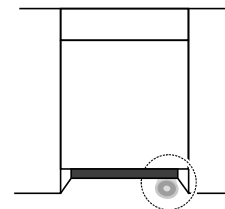
Display

<p>7 Warning indicator</p>	<p> Salt If the " S " indicator is lit, it means the dishwasher is low on dishwasher salt and needs to be refilled.</p>
<p>8 Alt indicator</p>	<p> Upper When you select Upper, only the dishes in the upper rack will be washed. The spray system of the lower basket will not operate.</p> <p> Lower When you select Lower, only the dishes in the lower rack will be washed. The spray system of the upper basket will not operate.</p>
<p>9 Cycle indicator</p>	<p> Intensive Heavily soiled items include pots and pans. With dried on food.</p> <p>Auto Auto For lightly, normally or heavily soiled crockery with or without dried-on food.</p> <p> 58 Min For normally soiled loads that need quick wash.</p> <p>ECO ECO This is standard program, it is suitable to clean normally soiled tableware and it is the most efficient program in terms of its combined energy and water consumption for that type of tableware.</p> <p> Glass For lightly soiled crockery and glass.</p> <p> Rapid A shorter wash for lightly soiled loads that do not need drying.</p>

NOTE:

Indicator lamp function

The Indicator lamp will be lit up during the washing program, then blink for 5 minutes and extinguished on the end of the program.



Water Softener

The water softener must be set manually, using the water hardness dial.

The water softener is designed to remove minerals and salts from the water, which would have a detrimental or adverse effect on the operation of the appliance.

The more minerals there are, the harder your water is.

The softener should be adjusted according to the hardness of the water in your area. Your local Water Authority can advise you on the hardness of the water in your area.

Adjusting salt consumption

The dishwasher is designed to allow for adjustment in the amount of salt consumed based on the hardness of the water used. This is intended to optimise and customise the level of salt consumption.

Please follow the steps below for adjustment in salt consumption.

1. **Open** the door, switch on the appliance;
2. Within 60 seconds after the appliance was switched on press the **Program button** for more than 5 seconds to enter the water softener setting mode.
3. Press the **Program button** again to select the proper set according to your local environment, the setting will change in the following sequence:
H3->H4->H5->H6->H1->H2->H3;
4. Press the Power button to end the setting mode.

WATER HARDNESS				Water softner level	Regeneration occurs every X program sequence 1)	Salt consumption (gram/cycle)
German °dH	French °fH	British °Clarke	Mmol/l			
0 - 5	0 - 9	0 - 6	0 - 0.94	H1->Rapid Light bright	No regeneration	0
6 - 11	10 - 20	7 - 14	1.0 - 2.0	H2->Glass Light bright	10	9
12 - 17	21 - 30	15 - 21	2.1 - 3.0	H3->Rapid, Glass Light bright	5	12
18 - 22	31 - 40	22 - 28	3.1 - 4.0	H4->ECO Light bright	3	20
23 - 34	41 - 60	29 - 42	4.1 - 6.0	H5->Rapid, ECO Light bright	2	30
35 - 55	61 - 98	43 - 69	6.1 - 9.8	H6->Glass, ECO Light bright	1	60

1°dH=1.25 °Clarke=1.78 °fH=0.178mmol/l

The factory setting: H3

- 1) Every cycle with a regeneration operation consumes additional 2.0 litres of water, the energy consumption increases by 0.02 kWh and the program extents by 4 minutes.



Please check the section 3 “Loading The Salt Into The Softener” of PART I : Generic Version, If your dishwasher lacks salt.



NOTE:

If your model does not have any water softener, you may skip this section.

Water Softener

The hardness of the water varies from place to place. If hard water is used in the dishwasher, deposits will form on the dishes and utensils.

The appliance is equipped with a special softener that uses a salt container specifically designed to eliminate lime and minerals from the water.

Preparing And Loading Dishes

- Consider buying utensils which are identified as dishwasher-proof.
- For particular items, select a program with the lowest possible temperature.
- To prevent damage, do not take glass and cutlery out of the dishwasher immediately after the program has ended.

For washing the following cutlery/dishes

Are not suitable

- Cutlery with wooden, horn china or mother-of-pearl handles
- Plastic items that are not heat resistant
- Older cutlery with glued parts that are not temperature resistant
- Bonded cutlery items or dishes
- Pewter or cooper items
- Crystal glass
- Steel items subject to rusting
- Wooden platters
- Items made from synthetic fibres

Are of limited suitability

- Some types of glasses can become dull after a large number of washes
- Silver and aluminum parts have a tendency to discolor during washing
- Glazed patterns may fade if machine washed frequently

Recommendations for loading the dishwasher

Scrape off any large amounts of leftover food. Soften remnants of burnt food in pans. It is not necessary to rinse the dishes under running water.

For best performance of the dishwasher, follow these loading guidelines.

(Features and appearance of baskets and cutlery baskets may vary from your model.)

Place objects in the dishwasher in the following way:

- Items such as cups, glasses, pots, pans, etc. must face downwards.
- Curved items, or ones with recesses, should be loaded aslant so that water can run off.
- All utensils are stacked securely and can not tip over.
- All utensils are placed in the way that the spray arms can rotate freely during washing.
- Load hollow items such as cups, glasses, pans etc. With the opening facing downwards so that water cannot collect in the container or a deep base.
- Dishes and items of cutlery must not lie inside one another, or cover each other.
- To avoid damage, glasses should not touch one another.
- The upper basket is designed to hold more delicate and lighter dishware such as glasses, coffee and tea cups.
- Long bladed knives stored in an upright position are a potential hazard!
- Long and sharp items of cutlery such as carving knives must be positioned horizontally in the upper basket.
- Please do not overload your dishwasher. This is important for good results and for reasonable consumption of energy.

NOTE:

Very small items should not be washed in the dishwasher as they could easily fall out of the basket.

Removing the dishes

To prevent water dripping from the upper basket into the lower basket, we recommend that you empty the lower basket first, followed by the upper basket.

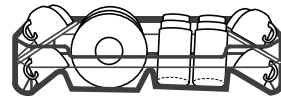
WARNING



Items will be hot! To prevent damage, do not take glass and cutlery out of the dishwasher for around 15 minutes after the program has ended.

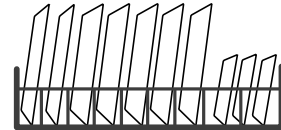
Loading the upper basket

The upper basket is designed to hold more delicate and lighter dishware such as glasses, coffee and tea cups and saucers, as well as plates, small bowls and shallow pans (as long as they are not too dirty). Position the dishes and cookware so that they will not get moved by the spray of water.



Loading the lower basket

We suggest that you place large and difficult to clean items into the lower basket: such as pots, pans, lids, serving dishes and bowls, as shown in the figure below. It is preferable to place serving dishes and lids on the side of the racks in order to avoid blocking the rotation of the top spray arm.



The maximum diameter advised for plates in front of the detergent dispenser is of 19 cm, this not to hamper the opening of it.

Loading the cutlery basket

Cutlery should be placed in the cutlery basket separate from each other in the appropriate positions. Avoid nesting of the cutlery to prevent insufficient cleaning performance.

▲ WARNING



Do not let any item extend through the bottom.
Always load sharp utensils with the sharp point down!



For the best washing effect, please load the baskets refer to standard loading options on last section of PART I : Generic Version

Function Of The Rinse Aid And Detergent


The rinse aid is released during the final rinse to prevent water from forming droplets on your dishes, which can leave spots and streaks. It also improves drying by allowing water to run off the dishes. Your dishwasher is designed to use liquid rinse aids.

⚠ WARNING

Only use branded rinse aid for dishwasher. Never fill the rinse aid dispenser with any other substances (e.g. Dishwasher cleaning agent, liquid detergent). This would damage the appliance.

When to refill the rinse aid dispenser

The regularity of the dispenser needing to be refilled depends on how often dishes are washed and the rinse aid setting used.

- The Low Rinse Aid indicator () will be lit when more rinse aid is needed.
- Do not overfill the rinse aid dispenser.

Function of detergent

The chemical ingredients that compose the detergent are necessary to remove, crush and dispense all dirt out of the dishwasher. Most of the commercial quality detergents are suitable for this purpose.

⚠ WARNING

- Proper Use of Detergent

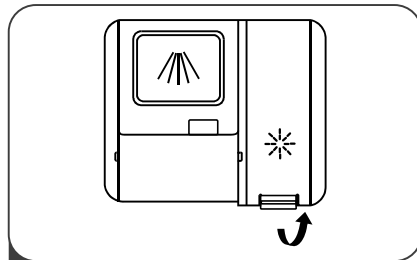
Use only detergent specifically made for dishwashers use. Keep your detergent fresh and dry.

Do not fill detergent into the dispenser until you are ready to start the dishwasher.

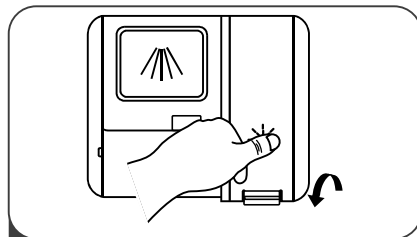


Dishwasher detergent is corrosive! Keep dishwasher detergent out of the reach of children.

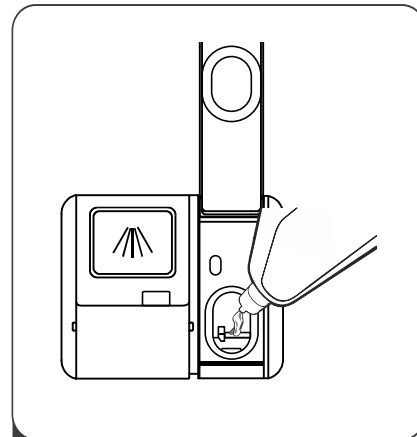
• Filling The Rinse Aid Reservoir



- 1** Remove the rinse reservoir cap by lifting up the handle .



- 3** Close the cap after all.



- 2** Pour the rinse aid into the dispenser, being careful not to overfill.

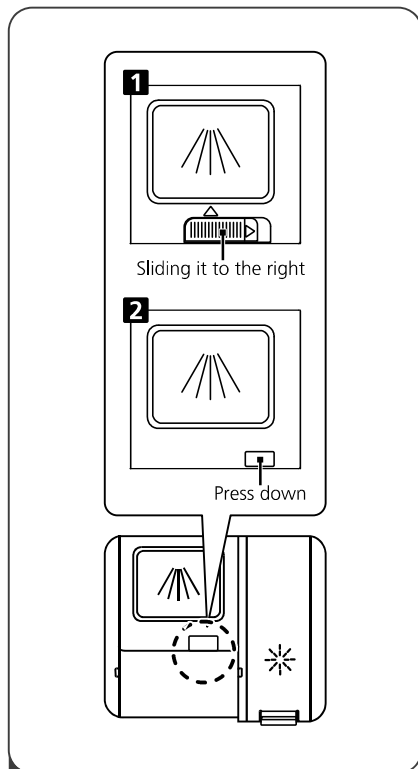
Adjusting the rinse aid reservoir

To achieve a better drying performance with limited rinse aid, the dishwasher is designed to adjust the consumption by user. Follow the below steps.

- 1. Open** the door, switch on the appliance.
- 2.** Within 60 seconds after the appliance was switched on press the **Program button** for more than 5 seconds, and then press the **Delay button** to enter the set model, the rinse aid indication blinks as 1Hz frequency.
- 3.** Press the Program button again to select the proper set according to your using habits, the setting will change in the following sequence: **d3->d4->d5->d1->d2->d3**. The higher the number, the more rinse aid the dishwasher uses.
- 4.** Without operation in 5 seconds or press the Power button to complete the setup and exit the setting mode.

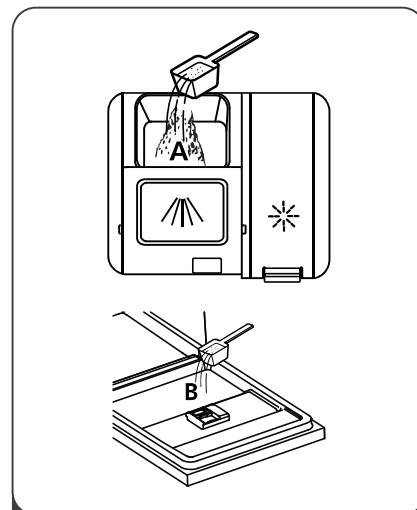
Rinse aid level	Selector position
d1	Rapid Light bright
d2	Glass Light bright
d3	Glass, Rapid Light bright
d4	ECO Light bright
d5	ECO, Rapid Light bright

Filling The Detergent Dispenser

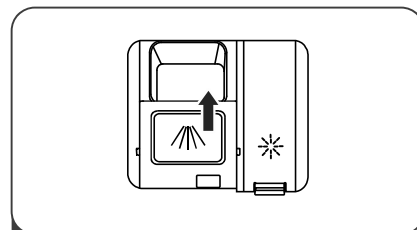


1 Please choose an open way according to the actual situation.

1. Open the cap by sliding the release catch.
2. Open the cap by pressing down the release catch.



- 2 Add detergent into the larger cavity (A) for the main wash cycle .
For better cleaning result, especially if you have very dirt items, pour a small amount of detergent onto the door. The additional detergent will activate during the pre-wash phase.



- 3 Close the flap by sliding it to the front and then pressing it down.




NOTE:

- Be aware that depending on the soiling of water, setting may be different.
- Please observe the manufacturer's recommendations on the detergent packaging.

Wash Cycle Table

The table below shows which programs are best for the levels of food residue on them and how much detergent is needed. It also show various information about the programs. Consumption values and program duration are only indicative except for ECO program.

(●) indicates that the program uses rinse aid in the last rinse.

Program	Description Of Cycle	Detergent Pre/Main Wash	Running Time(min)	Energy (kWh)	Water (L)	Rinse Aid
 Intensive	Pre-wash Wash(60°C) Rinse Rinse(65-72°C) Drying	$\frac{4}{18g}$ (1 or 2 tabs)	175	1.275-1.385	13.9	●
Auto Auto	Pre-wash(45°C) Wash(55-65°C) Rinse Rinse Rinse(55-65°C) Drying	$\frac{4}{18g}$ (1 or 2 tabs)	150	0.930-1.470	10.3-16.9	●
OPTIMA 58min 58 Min	Wash(60°C) Rinse Rinse(55-60°C) Drying	$\frac{22g}{(1 \text{ tab})}$	58	0.905	10,5	●
ECO (*EN60436)	Wash(50°C) Rinse Rinse(40°C) Drying	$\frac{22g}{(1 \text{ tab})}$	235	0.645	9.8	●
 Glass	Prewash Wash(45°C) Rinse Rinse(55-60°C) Drying	$\frac{4}{18g}$ (1 or 2 tabs)	120	0.820-0.925	13.9	●
 Rapid	Wash(45°C) Rinse Rinse(45°C)	$\frac{12g}{(1 \text{ tab})}$	30	0.584	10.3	○

NOTE:

ECO : The ECO program is suitable to clean normally soiled tableware, that for this use, it is the most efficient program in terms of its combined energy and water consumption, and it is used to assess compliance with the EU ecodesign legislation.

• Saving Energy

1. Pre-rinsing of tableware items leads to increased water and energy consumption and is not recommended.
2. Washing tableware in a household dishwasher usually consumes less energy and water in the use phase than hand dishwashing when the household dishwasher is used according to the instructions.

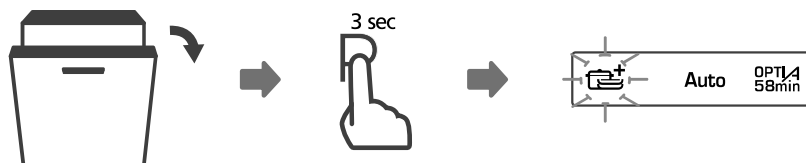
• Starting A Program

1. Draw out the lower and upper basket, load the dishes and push them back. It is commended to load the lower basket first, then the upper one.
2. Pour in the detergent.
3. Insert the plug into the socket. The power supply refer to last page "Product fiche". Make sure that the water supply is turned on to full pressure.
4. Open the door, Press the Power button.
5. Choose a program, the response light will turn on. Then close the door, the dishwasher will start its cycle.

• Changing The Program Mid-cycle

A program can only be changed if it has been running only for a short period of time, otherwise the detergent may have already been released or the the wash water with detergent has already been drained. If this is the case, the dishwasher needs to be reset and the detergent dispenser must be refilled. To reset the dishwasher, follow the instructions below:

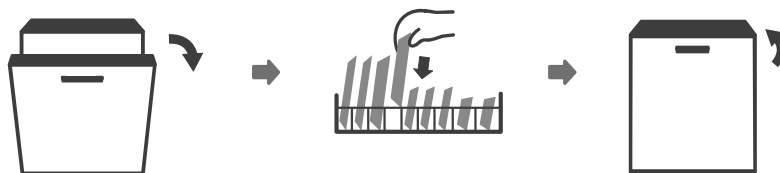
1. Open the door a little to stop the dishwasher, after the spray arm stopped working, you can open the door completely.
2. Press **Program button** more than three seconds the machine will be in program selection mode.
3. You can change the program to the desired cycle setting.



Forget To Add A Dish?

A forgotten dish can be added any time before the detergent dispenser opens. If this is the case, follow the instructions below:

1. Open the door a little to stop the washing.
2. After the spray arms stopped working, you can open the door completely.
3. Add the forgotten dishes.
4. Close the door.
5. The dishwasher will start running again.



⚠ WARNING



It is dangerous to open the door mid-cycle, as hot steam may scald you.

Auto Open

The dishwasher door opens automatically at the end of some programs. When the door opens it does not mean that the program is finished. There is still time to dry. At the end of this remaining time a beep sounds indicating that your program is now finished.



💡 NOTE:

The dishwasher door must not be blocked when set to open automatically. This can disrupt door lock functionality.

💡 NOTE:

You can return to factory settings at any time. Please refer to the different settings pages.

|| ERROR CODES

If there is a malfunction the dishwasher will display an error code. The following table shows possible error codes and their causes.

Codes	Meanings	Possible Causes
The Rapid light flicker fleetly	Longer inlet time.	Faucets is not opened, or water intake is restricted, or water pressure is too low.
The Glass and Rapid light flicker fleetly	Not reaching required temperature.	Malfunction of heating element.
The ECO light flicker fleetly	Overflow.	Some element of dishwasher leaks .
The 58 min light flicker fleetly	Failure of orientation of distributary valve.	Open circuit or break of distributary valve.
The 58 min and ECO light flicker fleetly	Washing control system fail.	PCB or motor fail.
The 58 min, ECO and Rapid light flicker fleetly	Failure of communication between main circuit board with display circuit board	Open circuit or break wiring for the communication

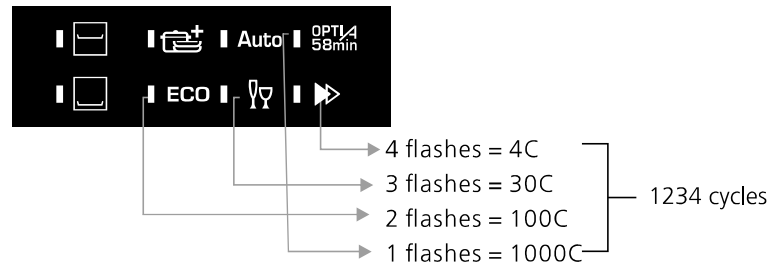
▲ WARNING

- If overflow occurs, turn off the main water supply before calling a service.
- If there is water in the base pan because of an overfill or small leak, the water should be removed before restarting the dishwasher.
- If there is an error code that cannot be solved, please request professional assistance.

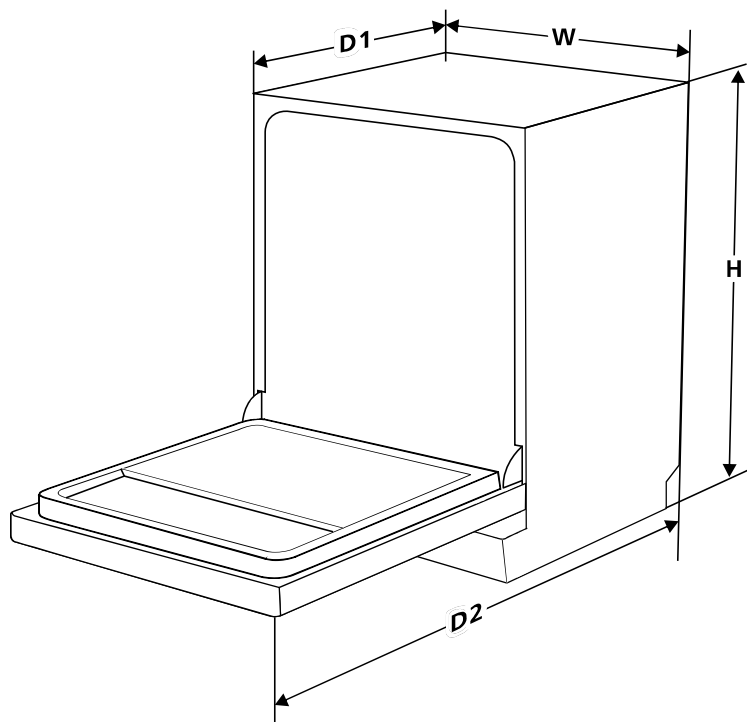
|| USAGE COUNTER

Since this model has no display screen, the cycles number will informed by using 4 LEDs, the detailed introduction is as follows:

1. When the power cord is connected, but the dishwasher is not turned on, open the door, press and hold the Delay button for 5 seconds, the dishwasher display will show the usage count;
2. The counting will be done from units to thousands sequence as below: Rapid flash indicate units of cycles, Glass flash indicate tens of cycles, ECO flash indicate hundreds of cycles, 58 min flash indicate thousands of cycles;
3. For example, 1234 cycles will indicated as below illustration.



|| TECHNICAL INFORMATION



Height (H)	815mm
Width (W)	598mm
Depth (D1)	550mm (with the door closed)
Depth (D2)	1150mm (with the door opened 90°)

|| DATABASE ACCESS

In order to access to your model information stored in the product database, as set out in Regulation (EU) 2019/2017 and relating to energy labelling, please log on to the website: <https://eprel.ec.europa.eu/>

Look for the reference of your product on the website by putting the service reference that is indicated on your product rating plate.

Another means to access this information is to flash the "QR" code on the energy label of your product.

EN After Sales Service:

Any maintenance on your equipment should be undertaken by:

-Either your dealer,

-Or another qualified mechanic who is an authorized agent for the brand appliances.

When making an appointment, state the full reference of your equipment (model, type and serial number). This information appears on the manufacturer's nameplate attached to your equipment.

INFORMATION

The minimum period of availability of spare parts listed in the European Regulation 2019-2022-EU and accessible in particular to the user of the appliance, is 10 years under the conditions laid down in the same regulation.

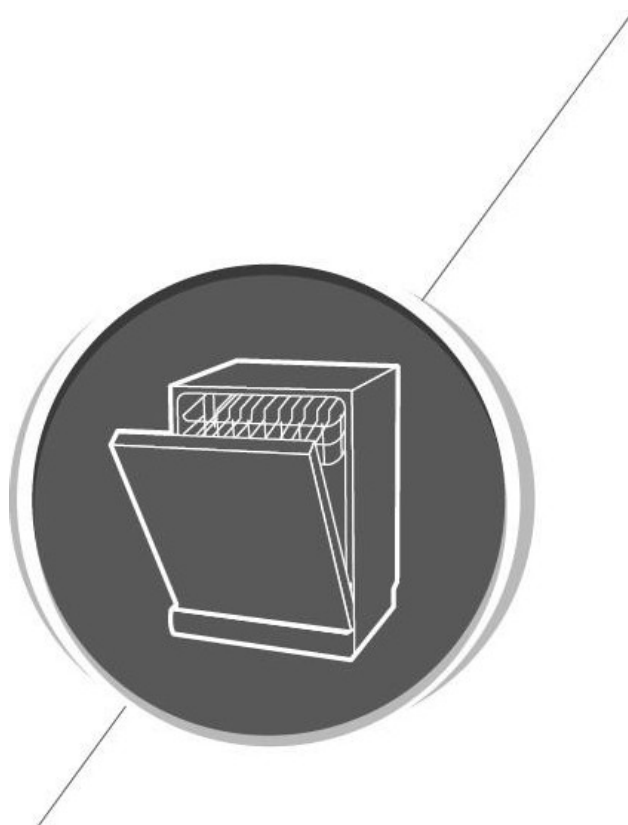
Brandt



MANUEL D'INSTRUCTIONS FR

Lave-vaisselle

BBJ3424LB



Lave-vaisselle

Mode d'emploi

PARTIE I : Version générique

**Veillez lire attentivement ce mode d'emploi avant d'utiliser le lave-vaisselle.
Conservez ce mode d'emploi pour pouvoir vous y référer ultérieurement.**

TABLE DES MATIÈRES

01	CONSIGNES DE SÉCURITÉ	3
02	PRÉSENTATION DE L'APPAREIL	7
03	UTILISATION DE VOTRE LAVE-VAISSELLE	8
	Ajout de sel dans l'adoucisseur	8
	Conseils relatifs au chargement des paniers	10
04	ENTRETIEN ET NETTOYAGE	12
	Entretien extérieur	12
	Entretien intérieur	12
	Entretien du lave-vaisselle	15
05	CONSIGNES D'INSTALLATION	16
	À propos du raccordement électrique	16
	Arrivée d'eau et vidange	17
	Raccordement du tuyau de vidange	18
	Positionnement de l'appareil	20
	Encastrement (pour le modèle encastré)	20
06	GUIDE DE DÉPANNAGE	26
	Disponibilité des pièces de rechange	29
07	CHARGEMENT DES PANIERS	30

REMARQUE :

- Référez-vous à la rubrique *Guide de dépannage* : celle-ci peut vous aider à remédier vous-même à certains des problèmes les plus courants.
- Si vous ne pouvez pas remédier vous-même au problème, faites appel à un technicien professionnel.
- Conformément à sa politique d'évolution et de mise à jour constantes du produit, le fabricant est susceptible d'y apporter des modifications sans préavis.
- Si vous perdez ce mode d'emploi ou si celui-ci n'est plus à jour, vous pouvez en obtenir un nouveau auprès du fabricant ou du fournisseur responsable.

01 CONSIGNES DE SÉCURITÉ

AVERTISSEMENT

Lorsque vous utilisez votre lave-vaisselle, observez les précautions indiquées ci-dessous :

- Seul un technicien qualifié peut procéder à l'installation et à la réparation de l'appareil.
- Cet appareil est exclusivement destiné à un usage domestique ainsi que pour des applications similaires telles que :
 - cuisines dans des magasins, bureaux et autres environnements de travail ;
 - exploitations agricoles ;
 - hôtels, motels, chambres d'hôtes et autres environnements résidentiels ;
 - établissements de demi-pension.
- Les enfants âgés de 8 ans et plus, les personnes dont les capacités physiques, sensorielles ou mentales sont réduites et les personnes dénuées d'expérience ou de connaissances pertinentes ne sont autorisés à utiliser l'appareil que sous la responsabilité d'une personne expérimentée ou s'ils ont reçu les instructions nécessaires à l'utilisation sécurisée de l'appareil et s'ils comprennent les risques encourus.
- Les enfants ne doivent pas jouer avec l'appareil. Le nettoyage et l'entretien ne doivent pas être effectués par des enfants sans supervision. (Pour EN 60335-1)
- Cet appareil n'est pas prévu pour être utilisé par des personnes (y compris les enfants) dont les capacités physiques, sensorielles ou mentales sont réduites, ou des personnes dénuées d'expérience ou de connaissances, sauf si elles ont pu bénéficier, par l'intermédiaire d'une personne responsable de leur sécurité, d'une surveillance ou d'instructions préalables concernant l'utilisation de l'appareil. (Pour IEC60335-1).
- Les matériaux d'emballage peuvent être dangereux pour les enfants !
- Il convient de surveiller les enfants afin qu'ils ne jouent pas avec l'appareil.
- Cet appareil est exclusivement réservé à un usage domestique.
- Pour éviter tout risque d'électrocution, veillez à ne jamais immerger l'appareil, le câble ou la prise dans l'eau ou dans tout autre liquide. Veuillez débrancher l'appareil avant toute opération de nettoyage ou de maintenance de l'appareil. Pour nettoyer l'appareil, utilisez un chiffon doux imbibé d'eau savonneuse, puis essuyez l'appareil avec un chiffon sec.
- Si le câble d'alimentation est endommagé, faites-le remplacer par le fabricant, par un réparateur agréé ou par une personne de compétence similaire afin d'éviter tout danger.



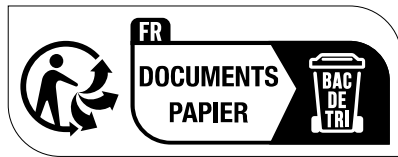
Consignes de mise à la terre

- Cet appareil doit être mis à la terre. En cas de dysfonctionnement ou de panne, la mise à la terre de l'appareil permet de réduire les risques d'électrocution en assurant une voie de faible résistance pour le courant électrique. Cet appareil est équipé d'une prise conductrice de mise à la terre.
- La prise doit être branchée à une source adaptée qui est installée et mise à la terre conformément à l'ensemble des réglementations locales.
- Un mauvais branchement du conducteur de mise à la terre peut entraîner un risque d'électrocution. En cas de doute concernant la mise à la terre de l'appareil, faites appel à un électricien compétent ou à un représentant du service de réparation.
- Ne modifiez pas la fiche électrique fournie avec l'appareil.
- Si celle-ci n'est pas adaptée à votre prise, faites installer une prise adéquate par un électricien compétent.
- Veillez à ne pas abîmer, à ne pas vous asseoir et à ne pas monter sur la porte ni sur les paniers à vaisselle du lave-vaisselle.
- N'utilisez pas votre lave-vaisselle si toutes les parois ne sont pas correctement installées.
- Faites preuve de prudence lorsque vous ouvrez la porte du lave-vaisselle alors que celui-ci est en marche : de l'eau peut s'en échapper. Veillez à ne pas placer d'objets lourds et à ne pas monter sur la porte lorsque celle-ci est ouverte. L'appareil pourrait basculer.
- Lorsque vous chargez de la vaisselle sale :
 - 1) Placez les éléments coupants de manière à ce qu'ils ne puissent pas endommager le joint de porte ;
 - 2) Attention : les couteaux et autres ustensiles coupants doivent être placés dans le panier à couverts tête vers le bas ou en position horizontale.
- Certains détergents pour lave-vaisselle sont très alcalins. Ils peuvent être extrêmement dangereux en cas d'ingestion. Évitez tout contact avec la peau et les yeux et éloignez les enfants du lave-vaisselle lorsque la porte de l'appareil est ouverte.
- À la fin du cycle de lavage, vérifiez que l'appareil ne contient pas de résidus de détergent.
- Assurez-vous que tous vos ustensiles en plastique présentent la mention « lavable au lave-vaisselle » ou une autre mention équivalente avant de les laver dans l'appareil.
- Pour les ustensiles en plastique qui ne présentent aucune mention de ce type, vérifiez les recommandations du fabricant.
- Utilisez uniquement les produits détergents et les agents de rinçage recommandés pour les lave-vaisselle automatiques.

- N'utilisez jamais de savon, de lessive ou de produit de lavage à la main pour faire fonctionner votre lave-vaisselle.
- Veillez à toujours refermer la porte de l'appareil pour éviter tout risque de chute.
- Lors de l'installation de l'appareil, veillez à ne pas plier ou aplatis excessivement ou dangereusement le câble d'alimentation.
- Ne modifiez pas les commandes.
- L'appareil doit être raccordé à la valve d'alimentation principale en eau à l'aide de flexibles neufs. Ne réutilisez pas vos anciens flexibles.
- Dans un souci d'économie d'énergie, en mode veille, l'appareil s'éteint automatiquement si aucune opération n'est réalisée pendant 15 minutes.
- Ce produit dispose d'une capacité maximale de 14 couverts.
- La pression de l'eau à l'arrivée doit être égale ou inférieure à 1 MPa.
- La pression de l'eau à l'arrivée doit être égale ou supérieure à 0,04 MPa.

Mise au rebut

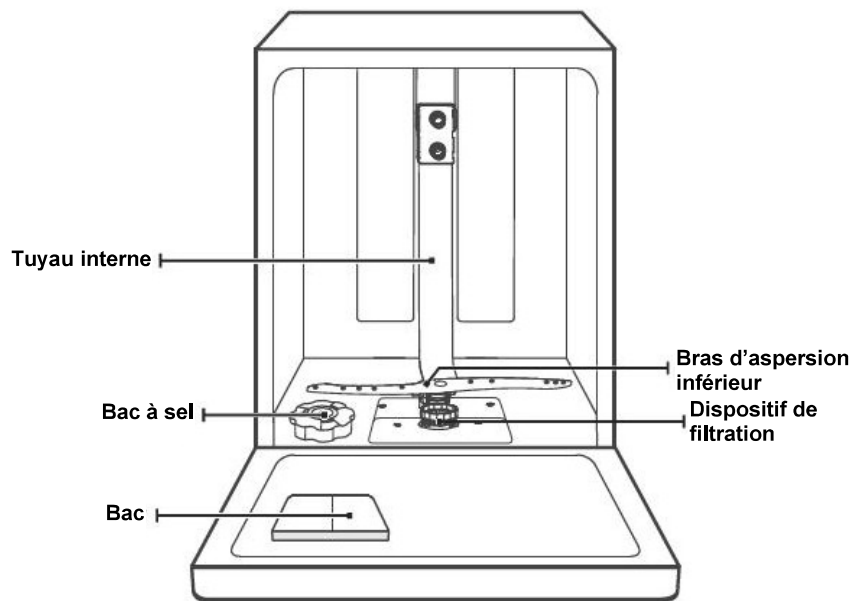
- Rendez-vous dans un centre de recyclage pour mettre au rebut l'appareil et son emballage.
Pour ce faire, vous devrez couper le câble d'alimentation et rendre le système de fermeture de la porte inutilisable
- L'emballage en carton est fabriqué à partir de papier recyclé et doit être jeté avec les déchets de papier pour être recyclé.
- En procédant à la mise au rebut de l'appareil dans les règles de l'art, vous contribuez à préserver l'environnement et la santé humaine, en veillant à ce que les déchets soient traités dans des conditions optimales.
- Pour plus d'informations concernant le recyclage de ce produit, veuillez contacter votre mairie et votre centre local de traitement des ordures ménagères.
- **MISE AU REBUT : Ne jetez pas cet appareil avec les déchets municipaux non triés. Cet appareil est à mettre au rebut séparément pour pouvoir être traité de manière adaptée.**



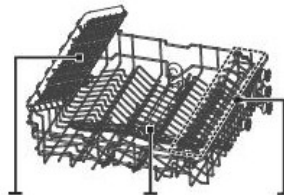
02 PRÉSENTATION DE L'APPAREIL

❗ IMPORTANT :

Pour garantir une performance optimale du lave-vaisselle, veuillez lire l'ensemble des consignes d'utilisation avant la première utilisation.



Panier à
couverts



Tiroir à couverts
Bras d'aspersion
central
Support à
tasses

Panier du haut



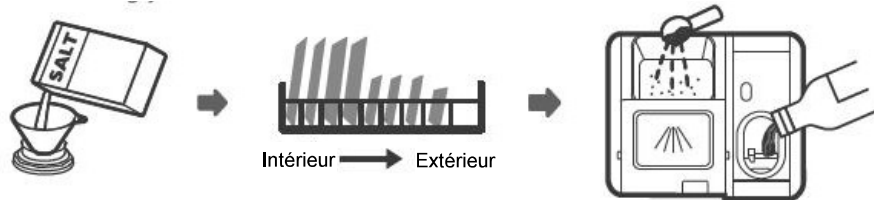
Panier du bas

💡 REMARQUE :

Les illustrations sont uniquement fournies à titre indicatif, les différents modèles peuvent varier.

03 UTILISATION DE VOTRE LAVE-VAISSELLE

Avant d'utiliser votre lave-vaisselle :



1. Réglez l'adoucisseur d'eau
2. Ajoutez le sel dans l'adoucisseur
3. Déposez la vaisselle sale
4. Remplissez le distributeur de détergent



Veillez vous reporter à la section 1 « Adoucisseur d'eau » de la PARTIE II : Version spéciale, pour régler l'adoucisseur d'eau.

Ajout de sel dans l'adoucisseur

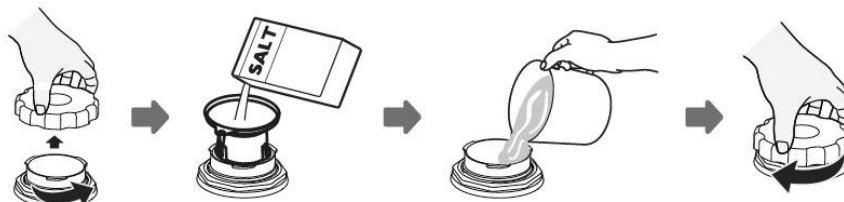
💡 REMARQUE :

Si votre modèle n'est pas équipé d'un adoucisseur d'eau, vous pouvez sauter cette rubrique. Veillez à toujours utiliser du sel conçu pour les lave-vaisselle. Le réservoir de sel est situé sous le panier du bas et doit être rempli selon la procédure suivante :

⚠️ AVERTISSEMENT

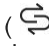
- **N'utilisez que du sel conçu spécialement pour les lave-vaisselle !**
Tout autre type de sel non adapté au lave-vaisselle, en particulier le sel de table, risque d'endommager l'adoucisseur d'eau. Si l'appareil est endommagé suite à l'utilisation de sel non adapté, le fabricant ne fournit aucune garantie et ne saurait être tenu pour responsable des dommages causés.
- **Veillez à ajouter du sel uniquement avant un cycle de lavage.**
Ceci permet d'empêcher que des grains de sel ou de l'eau salée éventuellement versés à côté demeurent dans le fond de l'appareil pendant un certain temps, ce qui pourrait entraîner une corrosion de la surface.

Pour ajouter le sel spécial lave-vaisselle, suivez la procédure ci-dessous :



1. Retirez le panier du bas et dévissez le couvercle du réservoir.
2. Positionnez l'extrémité de l'entonnoir (s'il est fourni) dans le trou et versez environ 1,5 kg de sel pour lave-vaisselle.
3. Remplissez le réservoir de sel d'eau jusqu'à atteindre le niveau maximal. Il est normal qu'une petite quantité d'eau sorte du réservoir de sel.
4. Une fois le réservoir rempli, revissez le couvercle en serrant bien.
5. Une fois le réservoir de sel rempli, le voyant d'alerte du sel s'éteint.
6. Juste après avoir rempli le réservoir de sel, lancez un programme de lavage (nous recommandons un programme court) afin d'éviter que le système de filtration, la pompe ou tout autre composant important de l'appareil ne soit endommagé par l'eau salée. L'endommagement dû à l'eau salée n'est pas couvert par la garantie.

REMARQUE :

- le réservoir de sel ne doit être rempli que lorsque le voyant d'alerte du sel () du bandeau de commandes s'allume. Selon la vitesse de dissolution du sel, il est possible que le voyant d'alerte du sel reste allumé même après le remplissage du réservoir.
- Si le bandeau de commandes ne dispose pas de voyant d'alerte du sel (sur certains modèles), vous pouvez déterminer quand ajouter du sel dans l'adoucisseur en fonction du nombre de cycles exécutés par le lave-vaisselle.
- Si vous avez versé du sel à côté du réservoir, lancez un programme de trempage ou un programme rapide pour l'éliminer.

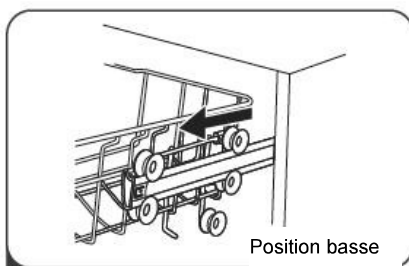
Conseils relatifs au chargement des paniers

Réglage du panier du haut

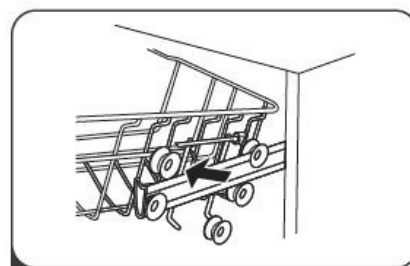
Type 1 :

Vous pouvez aisément régler la hauteur du panier du haut pour l'adapter à des plats plus grands disposés dans le panier du haut ou celui du bas.

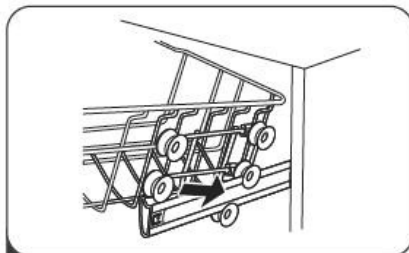
Pour régler la hauteur du panier du haut, suivez les étapes ci-dessous :



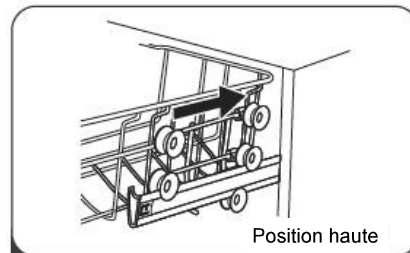
1 Sortez le panier du haut.



2 Retirez le panier du haut.

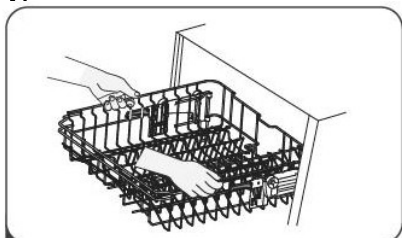


3 Remettez en place le panier du haut sur la coulisse supérieure ou inférieure.

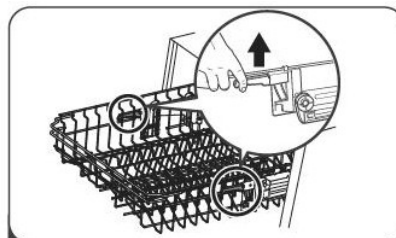


4 Rentrez le panier du haut.

Type 2 :



1 Pour relever le panier du haut, soulevez simplement le panier du haut en le tenant de part et d'autre au milieu, jusqu'à ce que le panier s'accroche en position haute. Il n'est pas nécessaire de soulever la poignée de réglage.



2 Pour abaisser le panier du haut, soulevez les poignées de réglage de chaque côté pour décrocher le panier et placez-le en position basse.

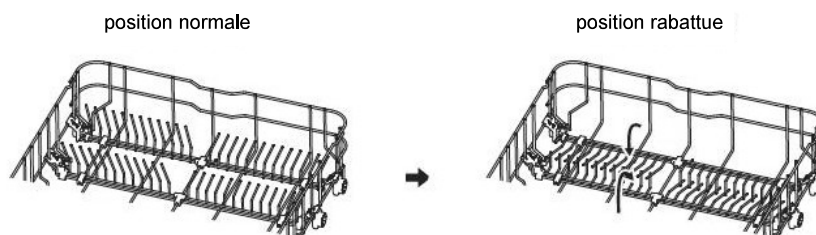
Rabattre les supports-tasses

Pour libérer de la place pour les éléments plus grands dans le panier du haut, rabattez le support à tasses vers le haut. Vous pouvez poser les grands verres contre ce support.



Rabattre les tiges

Les tiges du panier du bas permettent de déposer les assiettes et les plateaux. Vous pouvez les rabattre afin de libérer de la place pour les plats plus grands.



04 ENTRETIEN ET NETTOYAGE

Entretien extérieur

Porte et joint de porte

Nettoyez régulièrement les joints de porte à l'aide d'un chiffon humide non abrasif pour retirer les résidus alimentaires. Lorsque vous remplissez votre lave-vaisselle, il arrive que des résidus alimentaires ou liquides tachent les côtés de la porte de l'appareil. Ces surfaces se trouvent à l'extérieur de la zone de lavage et sont hors de portée de l'eau propulsée par les bras d'aspersion. Il convient d'essuyer les éventuels dépôts avant de fermer la porte.

Bandeau de commande

Pour nettoyer le bandeau de commande, essuyez-le uniquement avec un chiffon humide non abrasif.

AVERTISSEMENT

- Pour éviter que l'eau ne pénètre dans le dispositif de fermeture de la porte et les composants électroniques, n'utilisez jamais de produits nettoyants en spray.
- N'utilisez jamais de nettoyants abrasifs ou d'éponges à récurer sur les surfaces extérieures, car cela risquerait de rayer le revêtement. Certains essuie-tout peuvent également rayer la surface ou y laisser des marques.

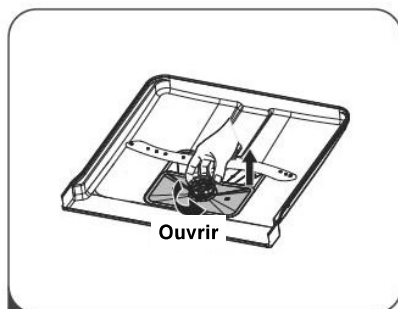
Entretien intérieur

Systeme de filtration

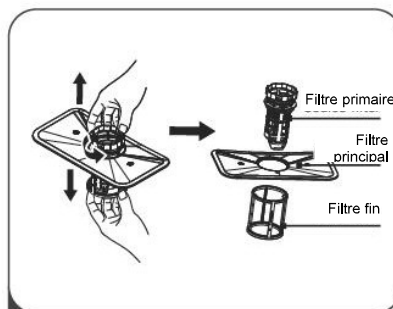
Le système de filtration situé en bas de l'appareil retient les gros débris pendant le cycle de lavage, y compris les corps étrangers tels que les cure-dents et les éclats de vaisselle. Les résidus collectés peuvent boucher les filtres. Vérifiez régulièrement l'état des filtres, retirez avec précaution les corps étrangers et, si nécessaire, nettoyez les différentes pièces du système de filtration en les passant sous l'eau. Suivez la procédure ci-dessous pour nettoyer le filtre.

REMARQUE :

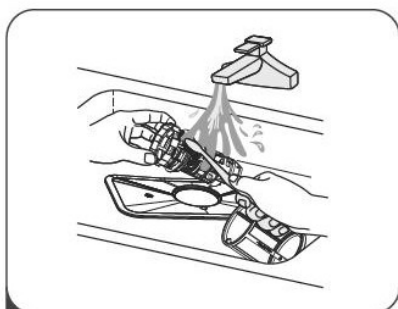
Les illustrations sont uniquement fournies à titre indicatif, les différents modèles de systèmes de filtration et de bras d'aspersion peuvent varier.



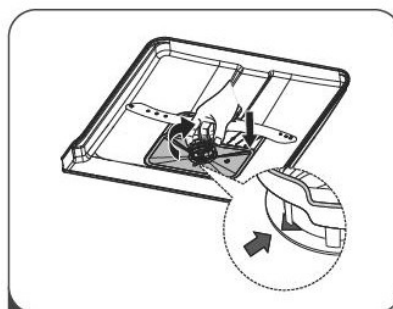
1 Tenez le filtre primaire et tournez-le dans le sens antihoraire pour le déverrouiller. Soulevez le filtre, puis sortez-le du lave-vaisselle.



2 Vous pouvez retirer le filtre fin situé en bas du dispositif de filtration. Démontez le filtre primaire du filtre principal en appuyant délicatement sur les languettes situées en haut avant de retirer le filtre.



3 Rincez le filtre sous l'eau du robinet pour en retirer les principaux résidus alimentaires. Pour un nettoyage plus efficace, utilisez une brosse de nettoyage non abrasive.



4 Remontez les filtres en suivant les étapes de démontage dans l'ordre inverse, remplacez le dispositif de filtration et tournez-le dans le sens horaire jusqu'à la flèche de fermeture.

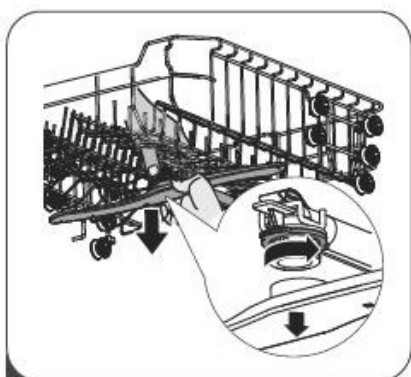
⚠ AVERTISSEMENT

- Ne serrez pas excessivement les filtres. Remontez les filtres dans l'ordre en vissant bien pour éviter que de gros résidus ne pénètrent dans le système et n'entraînent un blocage.
- N'utilisez jamais le lave-vaisselle sans les filtres. Un filtre mal remis en place peut réduire le niveau de performance de l'appareil et endommager votre vaisselle.

Bras d'aspersion

Il est nécessaire de nettoyer les bras d'aspersion régulièrement afin d'éviter que les particules chimiques de l'eau dure ne bouchent les buses et les roulements des bras d'aspersion.

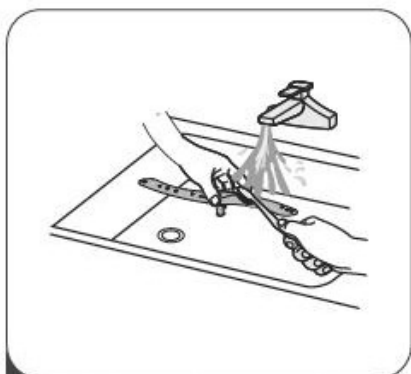
Pour nettoyer les bras d'aspersion, suivez les consignes ci-dessous :



1 Pour retirer le bras d'aspersion supérieur, immobilisez l'écrou au centre et faites tourner le bras d'aspersion dans le sens inverse des aiguilles d'une montre.



2 Pour retirer le bras d'aspersion inférieur, tirez-le vers le haut.



3 Lavez les bras dans de l'eau tiède et savonneuse et nettoyez les buses à l'aide d'une brosse souple.

Entretien du lave-vaisselle

Précautions antigivre

Pensez à prendre des mesures de protection contre le givre pour votre lave-vaisselle en hiver. Après chaque cycle de lavage, suivez la procédure ci-dessous :

1. Mettez le lave-vaisselle hors tension au niveau de la source d'alimentation.
2. Coupez l'arrivée d'eau et débranchez le tuyau d'arrivée d'eau du robinet d'alimentation.
3. Vidangez l'eau du tuyau d'arrivée d'eau et du robinet d'eau. (Servez-vous d'une casserole pour récupérer l'eau.)
4. Rebranchez le tuyau d'arrivée d'eau au robinet d'alimentation.
5. Retirez le filtre au fond de la cuve et épongez l'eau résiduelle dans le bassin.

Après chaque lavage

Après chaque lavage, coupez l'arrivée d'eau et laissez la porte légèrement ouverte pendant un moment afin que l'humidité et les odeurs puissent s'échapper.

Débrancher la prise

Débranchez la prise avant toute opération de nettoyage ou de maintenance.

Nettoyage sans solvants ni produits abrasifs

Pour nettoyer l'extérieur et les pièces en caoutchouc de votre lave-vaisselle, n'utilisez ni solvants, ni produits de nettoyage abrasifs. Tenez-vous-en à un chiffon imbibé d'eau tiède et savonneuse.

Pour éliminer les traces présentes sur les surfaces internes, utilisez un chiffon humidifié à l'eau avec un peu de vinaigre ou un produit de nettoyage spécifiquement conçu pour les lave-vaisselle.

En cas de non-utilisation prolongée

Il est recommandé de lancer un cycle de lavage à vide, puis de débrancher la prise, de couper l'arrivée d'eau et de laisser la porte légèrement entrouverte. Ceci permettra d'optimiser la durée de vie des joints de porte et d'empêcher la formation d'odeurs à l'intérieur de l'appareil.

Déplacer l'appareil

Si vous devez déplacer l'appareil, essayez de le maintenir en position verticale. En cas de nécessité absolue, vous pouvez le positionner sur l'arrière.

Joints

L'un des facteurs qui favorisent la formation d'odeurs dans le lave-vaisselle est la présence de résidus alimentaires dans les joints. Un nettoyage régulier des joints à l'aide d'une éponge humide permettra d'éviter ce phénomène.

05 CONSIGNES D'INSTALLATION

AVERTISSEMENT



Risque d'électrocution

Coupez l'électricité avant d'installer le lave-vaisselle.

Le non-respect de cette consigne peut entraîner un risque de décès ou d'électrocution.

Attention

Le raccordement des tuyaux et des équipements électriques doit être effectué par des professionnels.

À propos du raccordement électrique

AVERTISSEMENT

Pour votre sécurité :

- N'utilisez pas de rallonge ou d'adaptateur avec cet appareil.
- Quelles que soient les circonstances, veillez à ne jamais couper ou retirer les branchements de mise à la terre.

Alimentation électrique

Référez-vous à la plaque signalétique de l'appareil pour connaître la tension requise afin de brancher votre lave-vaisselle à une source d'alimentation adaptée. Utilisez le fusible 10 A/13 A/16 A, le fusible temporisé ou le disjoncteur recommandés et aménagez un circuit distinct réservé à cet appareil.

Raccordement électrique

Vérifiez que la tension et la fréquence de l'alimentation correspondent à la plaque signalétique. Veillez à ne brancher la prise au secteur qu'une fois la mise à la terre assurée. Si la prise électrique à laquelle l'appareil doit être branché n'est pas adaptée, remplacez-la plutôt que d'utiliser un adaptateur ou autre dispositif, lesquels pourraient entraîner une surchauffe et des brûlures.

 Assurez-vous que le branchement est équipé d'une mise à la terre avant d'utiliser votre lave-vaisselle.

Arrivée d'eau et vidange

Raccordement à l'eau froide

Raccordez le tuyau d'arrivée d'eau froide à un raccord fileté 3/4 et assurez-vous qu'il est bien serré.

Si vos tuyaux d'eau sont neufs ou n'ont pas été utilisés pendant une durée importante, laissez d'abord couler l'eau pour vous assurer qu'elle est claire. Cette précaution est nécessaire pour éviter le risque que l'arrivée d'eau soit bloquée et endommage l'appareil.



Tuyau d'arrivée d'eau ordinaire



Tuyau d'arrivée d'eau sécurisé

À propos du tuyau d'arrivée d'eau sécurisé

Le tuyau d'arrivée d'eau sécurisé a une double paroi. Ce système intervient en bloquant l'arrivée d'eau si le tuyau est endommagé ou que le sas d'air situé entre le tuyau d'arrivée d'eau et le flexible extérieur est rempli d'eau.

⚠ AVERTISSEMENT

Un tuyau fixé à un robinet peut exploser s'il est installé sur la même arrivée d'eau que le lave-vaisselle. Si votre évier en est équipé, nous vous recommandons de démonter le tuyau et d'obstruer l'ouverture.

Comment raccorder le tuyau d'arrivée d'eau sécurisé

1. Retirez complètement les flexibles fournis du compartiment de stockage situé à l'arrière du lave-vaisselle.
2. Vissez le flexible d'arrivée au robinet à l'aide d'un raccord fileté 3/4.
3. Ouvrez entièrement l'arrivée d'eau avant de démarrer le lave-vaisselle.

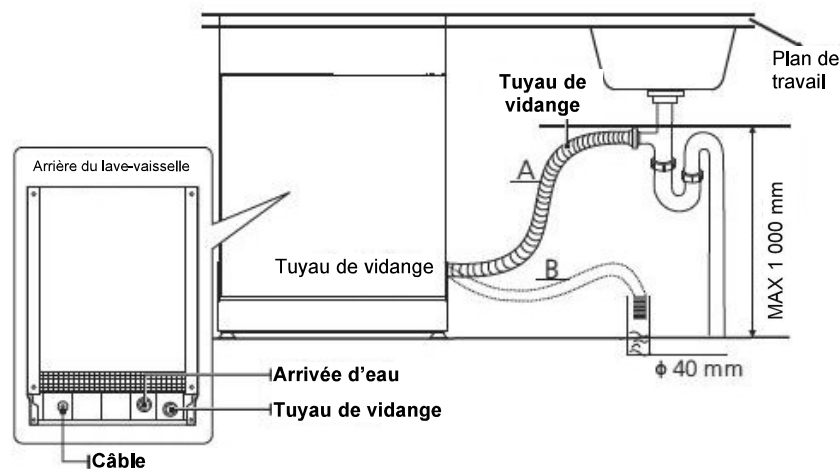
Comment démonter le tuyau d'arrivée d'eau sécurisé

1. Coupez l'eau.
2. Dévissez le tuyau d'arrivée d'eau sécurisé du robinet.

Raccordement du tuyau de vidange

Insérez le tuyau de vidange dans un conduit d'évacuation de diamètre 4 cm minimum, ou laissez-le couler dans l'évier en veillant à éviter de le plier ou de le pincer. La hauteur du conduit d'évacuation doit être inférieure à 1 000 mm. Afin d'éviter tout refoulement, l'extrémité du tuyau ne doit pas être immergée dans l'eau.

⚠ Veuillez fixer le tuyau de vidange en position A ou B de manière à ce qu'il tienne bien en place.



Comment évacuer l'excédent d'eau des tuyaux

Si le tuyau de vidange est situé à plus de 1 000 mm du sol, un excédent d'eau risque de rester dans le tuyau. Il sera nécessaire d'évacuer l'excédent d'eau dans un bol ou un autre récipient adapté maintenu à l'extérieur et à un niveau inférieur à celui de l'évier.

Sortie d'eau

Raccordez le tuyau de vidange. Le tuyau de vidange doit être correctement installé pour éviter toute fuite d'eau. Assurez-vous que le tuyau de vidange n'est ni plié, ni écrasé.

Tuyau de rallonge

Si vous avez besoin d'un tuyau de rallonge pour la vidange, veillez à bien utiliser un tuyau similaire.

Celui-ci ne doit pas excéder 4 mètres de longueur, à défaut de quoi la performance du lave-vaisselle pourrait être réduite.

Raccordement du siphon

Le raccordement à l'évacuation doit se situer à moins de 1 000 mm de hauteur (maximum) par rapport au bas du lave-vaisselle.

Positionnement de l'appareil

Installez l'appareil dans le lieu souhaité. L'arrière de l'appareil doit être placé contre le mur, et les parois latérales contre les parois ou murs adjacents. Le lave-vaisselle est équipé de tuyaux d'arrivée d'eau et de vidange qui peuvent être positionnés aussi bien à gauche qu'à droite de l'appareil afin de faciliter son installation.

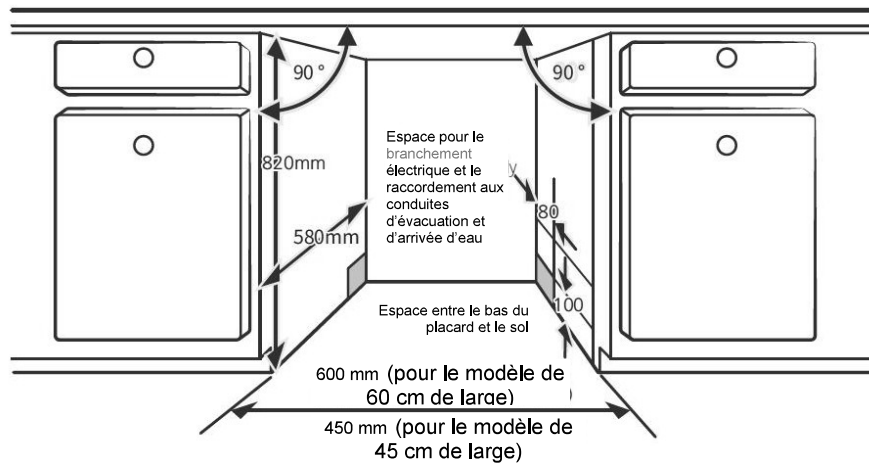
Encastrement (pour le modèle encastré)

Étape 1. Sélection de l'emplacement le plus adapté au lave-vaisselle

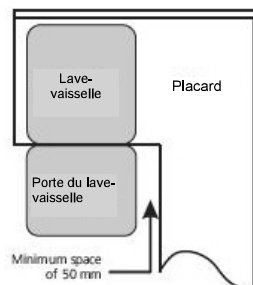
Le lave-vaisselle doit être installé à proximité des conduites d'arrivée et d'évacuation de l'eau ainsi que de l'alimentation électrique.

Illustrations des dimensions du lieu d'installation et de la position d'installation du lave-vaisselle.

1. Moins de 5 mm entre le haut du lave-vaisselle et le plan de travail ; paroi extérieure alignée sur les placards.



2. Si le lave-vaisselle est installé près d'un angle, prévoyez une distance de sécurité pour l'ouverture de la porte.



REMARQUE :

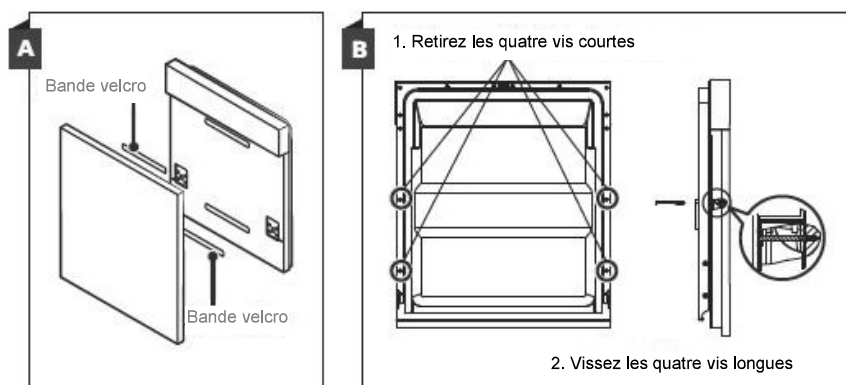
En fonction de l'emplacement de votre prise électrique, il est possible que vous deviez découper une ouverture dans la paroi latérale du placard adjacent.

Étape 2. Dimensions et installation du panneau d'habillage

Suivez les consignes d'installation relatives à la fixation du panneau d'habillage.

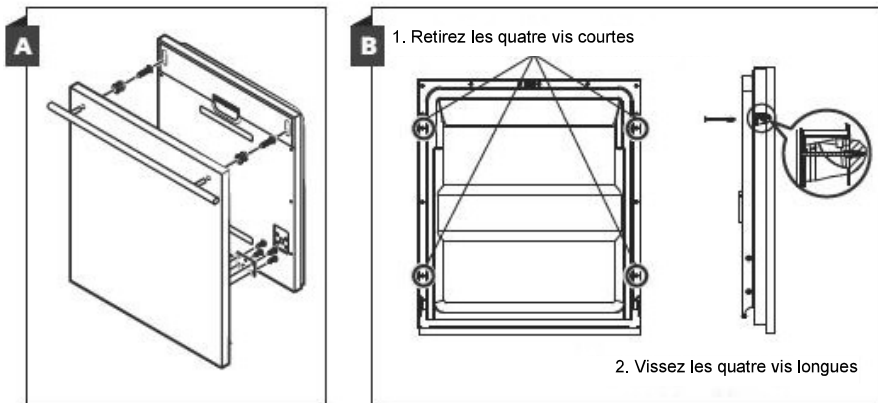
Modèle semi-intégrable

Séparez les bandes velcro A et B et fixez la bande velcro A sur la face intérieure du panneau d'habillage. Fixez la bande velcro B sur la porte extérieure du lave-vaisselle (cf. figure A). Après avoir positionné le panneau, fixez-le à la porte à l'aide des vis et des écrous (cf. figure B).



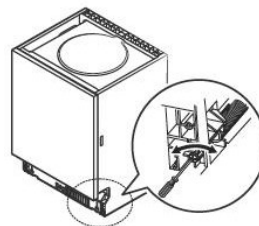
Modèle intégrable

Installez le crochet sur le panneau d'habillage et insérez-le dans la fente de la porte du lave-vaisselle (cf. figure A). Après avoir positionné le panneau, fixez-le à la porte à l'aide des vis et des écrous (cf. figure B).



Étape 3. Réglage de la tension du ressort de porte

1. Les ressorts de porte sont réglés en usine à une tension adaptée à la porte extérieure. En cas d'installation d'un panneau d'habillage, vous devrez régler la tension du ressort de porte. Faites tourner la vis de réglage afin de tendre ou de relâcher le câble en acier.
2. La tension du ressort de porte est idéale lorsque la porte demeure à l'horizontale quand elle est entièrement ouverte, mais se relève pour se fermer d'une légère pression du doigt.

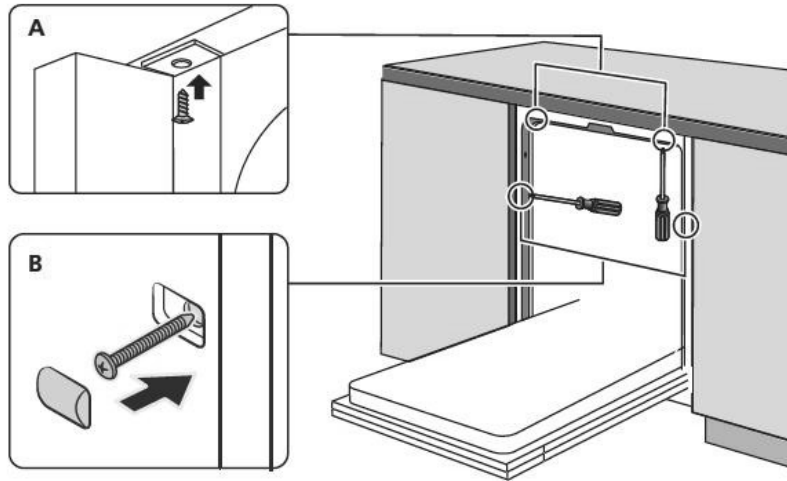


Étape 4. Étapes d'installation du lave-vaisselle



Veillez vous reporter aux étapes d'installation indiquées sur les schémas d'installation.

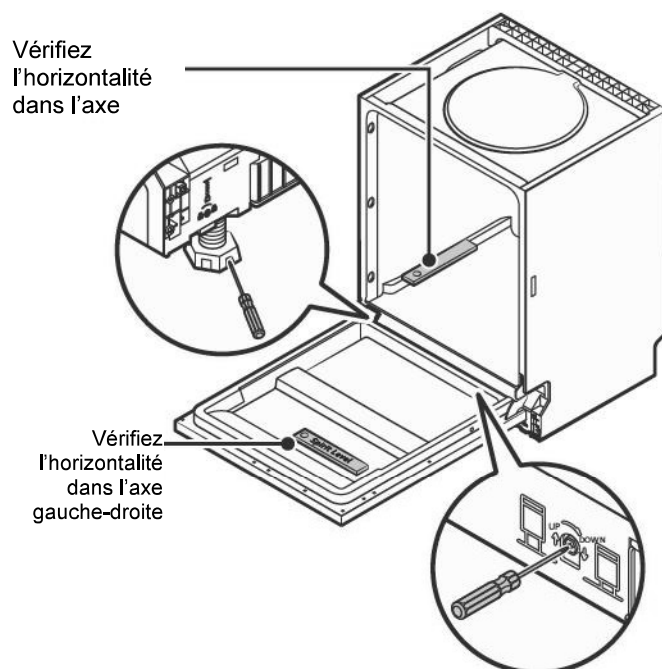
1. Fixez la bande de condensation sous le plan de travail. Veillez à ce que la bande de condensation soit alignée sur le bord du plan de travail. (Étape 2)
2. Raccordez le tuyau d'arrivée d'eau au conduit d'arrivée d'eau froide.
3. Raccordez le tuyau d'évacuation.
4. Branchez le câble d'alimentation.
5. Placez le lave-vaisselle dans le placard.
6. Mettez le lave-vaisselle à niveau. Vous pouvez régler le pied arrière depuis l'avant du lave-vaisselle en tournant la vis cruciforme située au milieu de la base du lave-vaisselle à l'aide d'un tournevis cruciforme. Pour régler les pieds avant, utilisez un tournevis plat. Pour régler les pieds avant, utilisez un tournevis plat.
7. Installez le panneau d'habillage sur la porte extérieure du lave-vaisselle. (Étape 7 à Étape 10)
8. Réglez la tension des ressorts de porte à l'aide d'un tournevis cruciforme en tournant dans le sens des aiguilles d'une montre pour resserrer les ressorts de porte gauche et droite. Le non-respect de cette consigne pourrait endommager votre lave-vaisselle. (Étape 11)
9. Le lave-vaisselle doit être correctement fixé. Pour ce faire, il existe deux méthodes :
 - A. Plan de travail normal : Insérez le crochet d'installation dans la fente du panneau latéral à l'aide des vis.
 - B. Plan de travail en marbre ou en granit : Fixez le panneau latéral à l'aide de vis



Étape 5. Mise à niveau du lave-vaisselle

Le lave-vaisselle doit être mis à niveau afin d'assurer le bon fonctionnement des paniers à vaisselle et les performances de lavage.

1. Placez un niveau à bulle sur la porte et la glissière du panier à l'intérieur de la cuve, conformément à l'illustration, afin de vérifier que le lave-vaisselle est horizontal.
2. Mettez le lave-vaisselle à niveau en ajustant individuellement les trois pieds de réglage.
3. Lors de la mise à niveau, veillez à ce que le lave-vaisselle ne se renverse pas.



REMARQUE :

La hauteur de réglage maximum des pieds est de 50 mm.

06 GUIDE DE DÉPANNAGE

Avant de faire appel à un technicien

Vous référer aux tableaux suivants peut vous éviter de devoir appeler un technicien.

Problème	Causes possibles	Que faire ?
Le lave-vaisselle ne démarre pas	Un fusible ou le disjoncteur a sauté.	Changez le fusible ou rétablissez le disjoncteur. Débranchez tous les autres appareils électriques branchés sur le même circuit que votre lave-vaisselle.
	L'appareil n'est pas sous tension.	Vérifiez que le lave-vaisselle est sous tension et que la porte est bien fermée. Vérifiez que le câble d'alimentation est bien branché à la prise secteur.
	La pression de l'eau est faible.	Vérifiez que l'arrivée d'eau est bien raccordée et que le robinet est ouvert.
	La porte du lave-vaisselle n'est pas bien fermée.	Assurez-vous de bien fermer la porte et de bien fermer le loquet.
Le lave-vaisselle ne pompe pas d'eau	Le tuyau de vidange est tordu ou coincé.	Vérifiez l'état du tuyau de vidange.
	Le filtre est bouché.	Vérifiez le système de filtration.
	L'évier est bouché.	Vérifiez l'état de l'évier de votre cuisine afin de vous assurer qu'il n'est pas bouché. Si l'eau de votre évier ne s'évacue pas correctement, il est probable que vous deviez faire appel à un plombier plutôt qu'à un technicien spécialisé dans les lave-vaisselle.
Mousse dans la cuve	Le détergent n'est pas adapté.	Utilisez uniquement du détergent spécial lave-vaisselle pour éviter la mousse. Le cas échéant, ouvrez le lave-vaisselle et laissez la mousse s'évaporer. Ajoutez 1 litre d'eau froide en bas du lave-vaisselle. Fermez la porte du lave-vaisselle, puis sélectionnez n'importe quel cycle. Le lave-vaisselle commence par vidanger l'eau. Ouvrez la porte une fois la vidange terminée et vérifiez que la mousse a bien disparu. Renouvelez l'opération si nécessaire.
	Du produit de rinçage a été renversé.	Nettoyez toujours immédiatement le produit de rinçage renversé.

Intérieur de la cuve taché	Du détergent contenant du colorant a été utilisé.	Vérifiez que le détergent utilisé ne comporte aucun colorant.
Pellicule blanche sur les surfaces internes	Il s'agit de minéraux présents dans l'eau dure.	Pour nettoyer les parois internes, utilisez un chiffon doux humide avec du détergent pour lave-vaisselle et veillez à porter des gants en caoutchouc. N'utilisez jamais d'autres produits que ceux qui sont destinés aux lave-vaisselle afin d'éviter tout risque de formation de mousse.
Taches de rouille sur les couverts	Les couverts tachés ne sont pas résistants à la corrosion.	Évitez de placer dans le lave-vaisselle des couverts qui ne résistent pas à la corrosion.
	Aucun programme n'a été lancé après l'ajout du sel pour lave-vaisselle. Des traces de sel se sont mêlées au cycle de lavage.	Lancez toujours un programme de lavage à vide après avoir ajouté du sel. Ne sélectionnez pas la fonction Turbo (si celle-ci est disponible) après avoir ajouté du sel.
	Le couvercle de l'adoucisseur n'est pas bien fermé.	Vérifiez que le couvercle de l'adoucisseur est bien fermé.
Bruits de choc dans le lave-vaisselle	Un des bras d'aspersion se heurte à l'un des ustensiles présents dans le panier situé en dessous.	Mettez le programme en pause et réorganisez les ustensiles qui bloquent le bras d'aspersion.
Cliquetis dans le lave-vaisselle	Des couverts ont été renversés dans le lave-vaisselle.	Mettez le programme en pause et réorganisez la disposition de vos couverts.
Bruits de choc dans les conduits d'eau	Ceci peut être dû à l'installation sur place ou aux sections des conduits.	Ceci n'a aucun impact sur la performance du lave-vaisselle. Si vous avez des doutes, faites appel à un plombier qualifié.
La vaisselle n'est pas propre	La vaisselle n'a pas été correctement placée dans le lave-vaisselle.	Reportez-vous à la PARTIE II « Préparation et chargement de la vaisselle ».
	Le programme choisi n'était pas assez puissant.	Sélectionnez un programme plus intensif.
	La quantité de détergent n'était pas suffisante.	Ajoutez plus de détergent ou changez de détergent.
	Des ustensiles bloquent la course des bras d'aspersion.	Réorganisez la disposition de vos ustensiles afin que les bras d'aspersion puissent tourner librement.

	Le dispositif de filtration n'est pas propre ou n'est pas correctement fixé à la base du lave-vaisselle. Ceci peut entraîner l'obstruction des buses des bras d'aspersion.	Nettoyez et/ou remplacez correctement le dispositif de filtration. Nettoyez les bras d'aspersion.
Verres troubles	Association d'une eau douce avec trop de détergent.	Utilisez moins de détergent si vous avez une eau douce, et sélectionnez un cycle plus court pour laver les verres et les rendre plus propres.
Taches blanches sur les ustensiles et les verres	Une eau dure peut entraîner des dépôts de calcaire.	Vérifiez les réglages de l'adoucisseur d'eau ou le niveau de remplissage du bac à sel.
Traces noires ou grises sur la vaisselle	Des ustensiles en aluminium ont frotté contre votre vaisselle.	Nettoyez la vaisselle à l'aide d'un produit abrasif doux pour éliminer les traces.
Résidu de détergent dans le bac	Des ustensiles bloquent le bac à détergent.	Réorganisez la disposition de votre vaisselle.
La vaisselle n'est pas sèche	Mauvaise disposition des ustensiles	Afin d'éviter toute irritation cutanée, portez des gants si vous trouvez des résidus de détergent sur la vaisselle.
	La vaisselle a été sortie trop tôt.	Ne videz pas votre lave-vaisselle immédiatement après le cycle de lavage. Ouvrez légèrement la porte pour que la vapeur puisse s'échapper. Attendez que la température intérieure du lave-vaisselle ait suffisamment baissé pour retirer la vaisselle. Videz en priorité le panier du bas afin d'éviter que l'eau du panier du haut ne coule dessus.
La vaisselle n'est pas sèche	Le programme choisi n'était pas adapté.	Avec un programme court, la température de lavage est moins importante, ce qui réduit la performance de lavage. Choisissez un programme de longue durée.
	Les couverts présentent un revêtement de mauvaise qualité.	L'évacuation de l'eau est plus difficile sur les revêtements de mauvaise qualité. Les couverts ou plats de ce type ne sont pas adaptés au lavage en lave-vaisselle.

⚠ AVERTISSEMENT

La réparation de cet appareil par un particulier ou par toute personne autre qu'un professionnel peut mettre gravement en danger la santé de l'utilisateur et annuler la garantie.

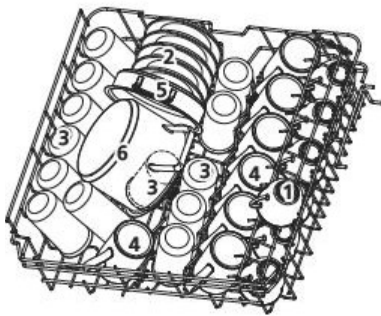
Disponibilité des pièces de rechange

- Dix ans après la commercialisation du dernier appareil de ce modèle :

07 CHARGEMENT DES PANIERS SELON LA NORME EN 60436

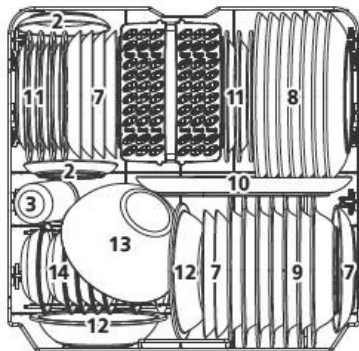
Charger le lave-vaisselle à pleine capacité contribue à économiser l'eau et l'énergie.

1. Panier du haut :



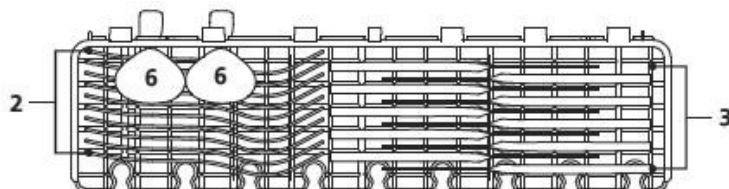
Numéro	Élément
1	Tasses
2	Soucoupes
3	Verres
4	Mugs
5	Plat à four
6	Petit plat

2. Panier du bas :



Numéro	Élément
7	Assiettes à dessert
8	Assiettes plates
9	Assiettes creuses
10	Plateaux ovales
11	Assiettes à dessert en mélamine
12	Bols en mélamine
13	Bols en verre
14	Bols à dessert
15	Panier à couverts

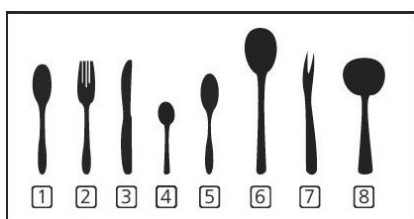
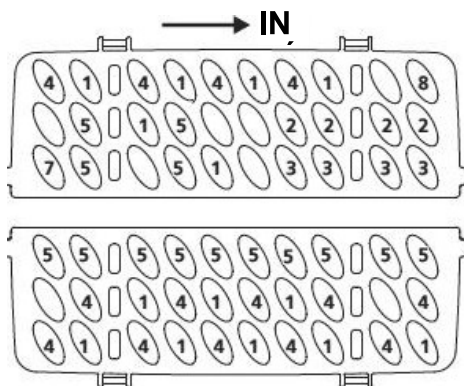
3. Tiroir à couverts :



REMARQUE :

placez les ustensiles plats et légers sur l'étagère. La capacité maximum est de 1,5 kg.

4. Panier à couverts :



Information à des fins de comparaison
Essais réalisés conformément à la norme
EN 60436

Capacité : 14 couverts

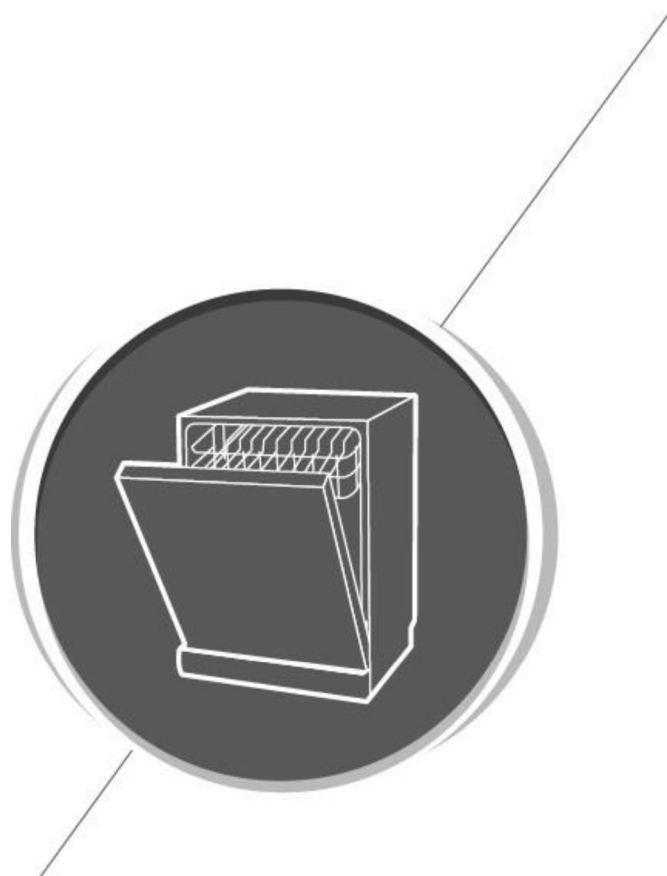
Position du panier du haut : basse

Programme : ECO

Réglage de distribution du produit de
rinçage : Max

Réglage de l'adoucisseur : H3

Numéro	Élément
1	Cuillères à soupe
2	Fourchettes
3	Couteaux
4	Cuillères à café
5	Cuillères à dessert
6	Cuillères à service
7	Fourchettes à service
8	Louches



Lave-vaisselle

Mode d'emploi

PARTIE II : Version spéciale

TABLE DES MATIÈRES

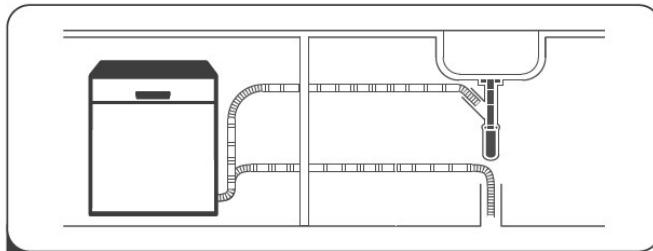
01	GUIDE DE PRISE EN MAIN	3
	Panneau de commande	4
	Adoucisseur d'eau.....	7
	Préparation et chargement de la vaisselle.....	8
	Fonction du produit de rinçage et du détergent	11
	Remplissage du bac à produit de rinçage	12
	Remplissage du bac à détergent.....	13
02	SÉLECTION DU PROGRAMME	15
	Tableau des cycles de lavage	15
	Économies d'énergie.....	16
	Lancement d'un programme	16
	Comment changer de programme en cours de cycle	16
	Un plat à rajouter ?.....	17
	Ouverture automatique	17
03	CODES D'ERREUR	18
04	COMPTEUR D'UTILISATIONS	19
05	INFORMATIONS TECHNIQUES	20

REMARQUE :

- Si vous ne pouvez pas remédier vous-même au problème, faites appel à un technicien professionnel.
- Conformément à sa politique d'évolution et de mise à jour constantes du produit, le fabricant est susceptible d'y apporter des modifications sans préavis.
- Si vous perdez ce mode d'emploi ou que celui-ci n'est plus à jour, vous pouvez en obtenir un nouveau auprès du fabricant ou du fournisseur responsable.

01 GUIDE DE PRISE EN MAIN

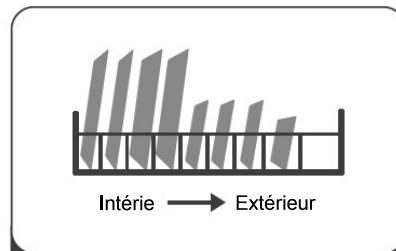
Pour en savoir plus sur le fonctionnement de l'appareil, veuillez lire la section correspondante du mode d'emploi.



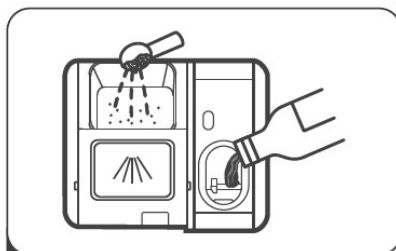
- 1 Installez le lave-vaisselle.
(Veuillez vous reporter à la section 5 « CONSIGNES D'INSTALLATION » de la PARTIE I : Version générique.)



- 2 Retirez de la vaisselle le gros des résidus. Évitez de prélever votre vaisselle.



- 3 Déposez la vaisselle sale.



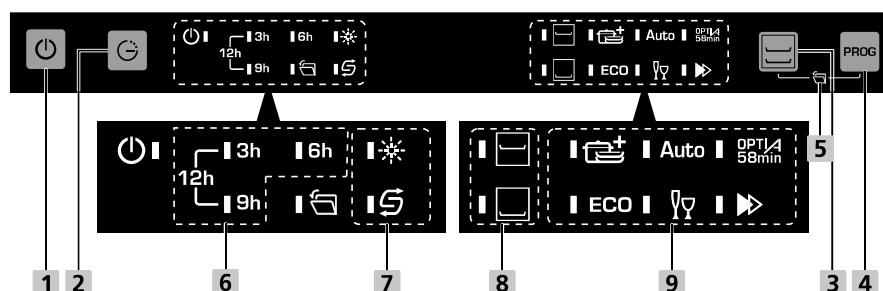
- 4 Remplissez le bac à détergent et le compartiment de produit de rinçage.



- 5 Sélectionnez un programme adapté et démarrez le lave-vaisselle.

UTILISATION DE VOTRE LAVE-VAISSELLE


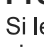
Panneau de commande


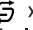
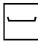







Fonction (Bouton)

1 Marche/arrêt	Appuyez sur ce bouton pour allumer votre lave-vaisselle. Le voyant correspondant s'allume.
2 Départ différé	Appuyez sur ce bouton pour régler la durée du départ différé.
3 Panier	Appuyez sur ce bouton pour sélectionner le panier du haut ou le panier du bas, selon celui que vous avez chargé. Le voyant correspondant s'allume.
4 Programme	Appuyez sur ce bouton pour sélectionner le programme de lavage souhaité. Le voyant de programme s'allume.
5 Ouverture automatique	La porte du lave-vaisselle s'ouvre automatiquement à la fin du programme, ce qui améliore les performances de séchage. Appuyez simultanément sur les boutons « Alt » et « P » pendant 2 secondes pour activer ou désactiver l'ouverture automatique. Lorsque vous appuyez sur cette combinaison de boutons, le voyant correspondant s'allume. (Cette fonction est uniquement compatible avec les programmes ECO , Verre , Intensif , ICS+ et 58 min.)

Afficheur

6 Départ différé	Indique le délai du départ différé (3 h/6 h/9 h/12 h) ; les voyants 3 h et 9 h s'allument en même temps pour représenter 12 h.
7 Voyants d'alerte	 Produit de rinçage Si le voyant «  » est allumé, cela signifie que le niveau de produit de rinçage du lave-vaisselle est trop

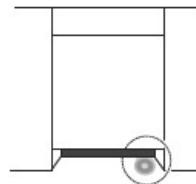
	 bas et qu'il faut en ajouter. Sel Si le voyant «  » est allumé, cela signifie que le niveau de sel du lave-vaisselle est trop bas et qu'il faut en ajouter.
8 Voyant de panier	 Panier du haut Si vous sélectionnez le panier du haut, seule la vaisselle située dans le panier du haut sera lavée. Le système d'aspersion du panier du bas ne fonctionnera pas.  Panier du bas Si vous sélectionnez le panier du bas, seule la vaisselle située dans le panier du bas sera lavée. Le système d'aspersion du panier du haut ne fonctionnera pas.

9 Voyant de cycle		Intensif Vaisselle très sale incluant notamment des casseroles et des poêles. Présence de résidus alimentaires séchés.
	Auto	ICS+ Pour la vaisselle présentant un niveau de saleté faible, normal ou important avec ou sans résidus séchés.
		58 min Pour la vaisselle présentant un niveau de saleté normal et nécessitant un lavage rapide.
	ECO	ECO Ce programme standard convient à la vaisselle présentant un niveau de saleté normal. Il s'agit du programme le plus efficace en termes de consommation d'énergie et d'eau pour ce type de vaisselle.
		Verre Pour la vaisselle et les verres légèrement sales.
		Rapide Un cycle court pour la vaisselle légèrement sale qui n'a pas besoin de séchage.

 **REMARQUE :**

Voyant de fonctionnement

Le voyant de fonctionnement s'allume pendant le programme de lavage, puis clignote pendant 5 minutes et s'éteint à la fin du programme.



Adoucisseur d'eau

L'adoucisseur d'eau doit être réglé manuellement à l'aide de la molette de sélection de la dureté de l'eau.

L'adoucisseur d'eau est conçu pour éliminer de l'eau les minéraux et les sels susceptibles d'altérer le bon fonctionnement de l'appareil.

Plus il y a de minéraux, plus votre eau est dure.

L'adoucisseur doit être réglé en fonction de la dureté de l'eau de votre région.

Prenez contact avec votre compagnie des eaux locale pour obtenir des informations sur la dureté de l'eau dans votre région.

Réglage de la consommation en sel

Ce lave-vaisselle est conçu pour permettre de régler la quantité de sel consommée en fonction de la dureté de l'eau utilisée. Cette fonction est destinée à optimiser et à personnaliser le niveau de consommation en sel.

Pour régler le niveau de consommation en sel, suivez la procédure ci-dessous :

1. Ouvrez la porte et allumez l'appareil.
2. Dans les 60 secondes suivant l'allumage de l'appareil, appuyez sur le **bouton Programme** pendant plus de 5 secondes pour accéder au mode de réglage de l'adoucisseur d'eau.
3. Rappuyez sur le **bouton Programme** pour sélectionner le réglage correspondant à la dureté de l'eau de votre région. Les paramètres défilent dans l'ordre suivant : **H3->H4->H5->H6->H1->H2->H3**
4. Appuyez sur le bouton Marche/Arrêt pour quitter le mode de réglage.

DURETÉ DE L'EAU				Niveau de l'adoucisseur d'eau	La régénération a lieu toutes les X séquences de programme ¹⁾	Consommation en sel (gramme/cycle)
Allemand °dH	Français °fH	°Clarke (Royaume-Uni)	Mmol/l			
0 - 5	0 - 9	0 - 6	0 - 0,94	H1 -> Voyant Rapide allumé	Pas de régénération	0
6-11	10 - 20	7 - 14	1,0 - 2,0	H2 -> Voyant Verre allumé	10	9
12 - 17	21 - 30	15-21	2,1 - 3,0	H3 -> Voyants Rapide et Verre allumés	5	12
18-22	31 - 40	22-28	3,1 - 4,0	H4 -> Voyant Eco allumé	3	20
23 - 34	41 - 60	29-42	4,1 - 6,0	H5 -> Voyants Rapide et Eco allumés	2	30
35 - 55	61 - 98	43 - 69	6,1 - 9,8	H6 -> Voyants Verre et Eco allumés	1	60

1 °dH = 1,25 °Clarke = 1,78 °fH = 0,178 mmol/l

Paramètre d'usine : H3

- 1) Pour chaque cycle incluant une opération de régénération, la consommation d'eau augmente de 2,0 litres, la consommation énergétique augmente de 0,02 kWh et le programme est prolongé de 4 minutes.



Veillez vous reporter à la section 3 « Ajout de sel dans l'adoucisseur » de la PARTIE I : Version générique si votre lave-vaisselle manque de sel.

REMARQUE :

Si votre modèle n'est pas équipé d'un adoucisseur d'eau, vous pouvez sauter cette rubrique. Adoucisseur d'eau

La dureté de l'eau varie selon les régions. Si le lave-vaisselle est utilisé avec de l'eau dure, des dépôts se formeront sur votre vaisselle.

L'appareil est équipé d'un adoucisseur spécial doté d'un réservoir de sel spécifiquement conçu pour éliminer le calcaire et les minéraux présents dans l'eau.

Préparation et chargement de la vaisselle

- Essayez de penser à acheter des ustensiles portant la mention « lavable au lave-vaisselle ».
- Pour les plats ou ustensiles fragiles, sélectionnez un programme fonctionnant à la température la plus basse possible.
- Ne sortez pas vos verres et vos couverts du lave-vaisselle immédiatement après la fin du programme afin d'éviter tout risque d'endommagement.

Lavage des types de couverts/plats suivants

Ne conviennent pas

- Couverts en bois, en porcelaine ou en nacre
- Objets en plastique qui ne résistent pas à la chaleur
- Couverts anciens dotés d'éléments collés qui ne résistent pas à la chaleur
- Couverts ou plats avec colle
- Éléments en étain ou en cuivre
- Verres en cristal
- Objets en acier pouvant rouiller
- Plateaux en bois
- Objets fabriqués en fibres synthétiques

Convient dans une mesure restreinte

- Certains types de verres peuvent se ternir après un certain nombre de lavages
- Les éléments en argent et en aluminium ont tendance à se décolorer au lavage
- Les motifs vernis peuvent s'estomper s'ils sont fréquemment lavés au lave-vaisselle

Recommandations pour le remplissage du lave-vaisselle

Retirez le gros des aliments restant sur les plats et les couverts. Ramollissez les résidus d'aliments brûlés dans les poêles et les casseroles. Il n'est pas nécessaire de rincer vos plats et assiettes au préalable.

Pour garantir une performance optimale du lave-vaisselle, respectez les consignes suivantes.

(Les fonctionnalités et l'apparence des paniers et du panier à couverts peuvent varier selon les modèles.)

Les différents éléments à laver sont à placer comme suit dans l'appareil :

- Les objets tels que les tasses, verres, casseroles, poêles, etc. doivent être retournés.
- Les objets incurvés ou présentant des renforcements doivent être positionnés obliquement de manière à ce que l'eau puisse s'en écouler.
- Tous les ustensiles doivent être placés de manière à bien tenir en place et à ne pas se renverser.
- Tous les ustensiles doivent être placés de manière à laisser assez d'espace pour que les bras d'aspersion puissent tourner librement pendant le lavage.
- Les objets creux tels que les tasses, verres, casseroles, etc. doivent être orientés vers le bas afin d'éviter que l'eau ne stagne à l'intérieur.
- Les plats et les couverts ne doivent pas être empilés les uns dans les autres ni se recouvrir.
- Faites en sorte d'éviter que les verres ne se touchent pour éviter tout dégât.
- Le panier du haut est destiné à la vaisselle plus délicate et plus légère, telle que les verres et les tasses.
- Les couteaux à lame longue représentent un danger si leur pointe est orientée vers le haut !
- Les couverts longs et tranchants tels que les couteaux à découper sont à placer à l'horizontale dans le panier du haut.
- Ne surchargez pas le lave-vaisselle. Vous obtiendrez ainsi de bons résultats et optimiserez votre consommation d'énergie.

REMARQUE :

Évitez de laver les éléments très petits au lave-vaisselle, car ils peuvent facilement tomber des paniers.

Retrait de la vaisselle

Afin d'éviter que de l'eau du panier du haut ne s'écoule dans le panier du bas, nous vous recommandons de vider d'abord le panier du bas.



AVERTISSEMENT



La vaisselle peut être très chaude ! Après la fin du programme, attendez environ 15 minutes avant de sortir vos verres et vos couverts du lave-vaisselle afin d'éviter tout risque d'endommagement.

Remplissage du panier du haut

Le panier du haut est destiné aux objets plus délicats et plus légers, tels que les verres, les tasses, les soucoupes, les assiettes, les petits bols et les poêles et casseroles peu profondes (à condition que ceux-ci ne soient pas trop sales). Positionnez vos plats et couverts de manière à ce qu'ils ne puissent bouger sous la pression de l'arrosage.



Remplissage du panier du bas

Nous vous recommandons de placer les objets les plus grands et ceux qui sont le plus difficile à nettoyer dans le panier du bas (casseroles, poêles, couvercles, plats de service et saladiers) comme illustré ci-dessous. Il est préférable de placer vos plats et couvercles de service sur le côté du panier afin d'éviter de bloquer la rotation du bras de lavage.



Le diamètre maximum recommandé pour les assiettes situées devant le bac à détergent est de 19 cm, afin de ne pas en obstruer l'ouverture.

Remplissage du tiroir à couverts

Placez les couverts dans le panier à couverts, séparés les uns des autres et à l'endroit approprié. Évitez d'imbriquer les couverts afin de ne pas altérer les performances de nettoyage.

AVERTISSE



Ne laissez aucun couvert dépasser du bas du panier.
Placez toujours les ustensiles tranchants pointe vers le bas !



Afin d'optimiser les performances de lavage, remplissez les paniers conformément aux options standards de remplissage indiquées dans la dernière section de la PARTIE I : Version générique.

Fonction du produit de rinçage et du détergent


Le produit de rinçage est libéré lors de la phase de rinçage final afin d'éviter que l'eau ne forme des gouttelettes sur vos ustensiles et qu'elle n'y laisse des traces. Il améliore également le séchage en permettant à l'eau de s'écouler de vos plats. Votre lave-vaisselle est conçu pour fonctionner avec du produit de rinçage liquide.

⚠ AVERTISSEMENT

Veillez à toujours utiliser du produit de rinçage de marque, spécifiquement conçu pour les lave-vaisselle. Ne versez jamais d'autres substances dans le distributeur à produit de rinçage (ex : produit de nettoyage de lave-vaisselle, détergent liquide). Ceci endommagerait votre appareil.

Quand remettre du produit de rinçage ?

La fréquence de remplissage du bac dépend de la fréquence de lavage et du réglage défini.

- L'indicateur de Niveau faible de produit de rinçage () s'allume quand il faut ajouter du produit de rinçage.
- Ne remplissez pas le bac à produit de rinçage au-delà de la limite.

Fonction du détergent

Les ingrédients chimiques qui composent le détergent sont nécessaires pour éliminer, décomposer et évacuer les saletés du lave-vaisselle. La majorité des détergents de qualité commerciale conviennent à cette fin.

⚠ AVERTISSEMENT

- Utilisation du détergent

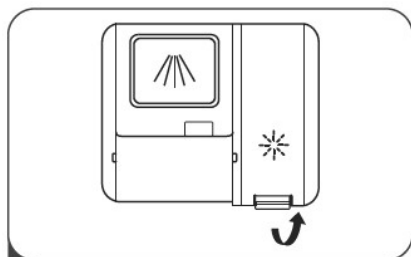
N'utilisez que des détergents spécifiquement conçus pour les lave-vaisselle. Votre détergent doit toujours être maintenu frais et sec.

Ne remplissez le bac de détergent qu'une fois que le lave-vaisselle est prêt à démarrer.

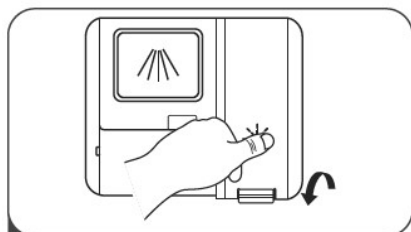


**Les détergents pour lave-vaisselle sont corrosifs !
Maintenez le détergent pour lave-vaisselle hors de portée des enfants.**

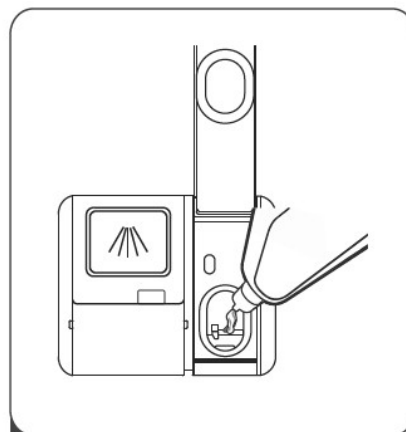
Remplissage du bac à produit de rinçage



1 Retirez le couvercle du bac à produit de rinçage en tirant sur la poignée.



3 Lorsque vous avez terminé, refermez le couvercle.



2 Versez le produit de rinçage dans le réservoir en veillant à ne pas dépasser le niveau maximum.

Réglage du bac à produit de rinçage

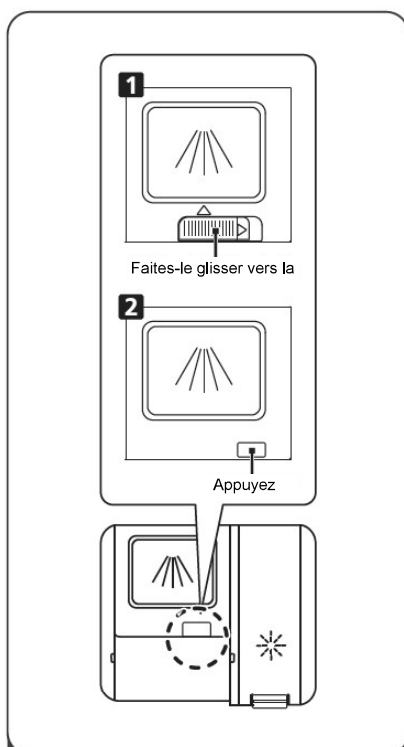
Afin d'obtenir des performances de séchage optimales avec une quantité minimale de produit de rinçage, le lave-vaisselle est conçu pour ajuster la consommation en fonction de l'utilisateur. Suivez les étapes ci-après.

1. **Ouvrez** la porte et allumez l'appareil.
2. Dans un délai de 60 secondes à compter de l'allumage de l'appareil, appuyez sur le **bouton Programme** pendant plus de 5 secondes, puis appuyez sur le **bouton Départ différé** pour accéder au mode de réglage. Le voyant d'alerte du produit de rinçage clignote à une fréquence de 1 Hz.
3. Appuyez sur le bouton Programme pour sélectionner le réglage correspondant à vos habitudes d'utilisation. Les paramètres défilent dans l'ordre suivant : **d3->d4->d5->d1->d2->d3**. Plus le chiffre est élevé, plus le lave-vaisselle utilise de produit de rinçage.
4. N'appuyez sur aucun bouton pendant 5 secondes ou appuyez sur le bouton Marche/Arrêt pour enregistrer le paramètre sélectionné et quitter le mode de réglage.

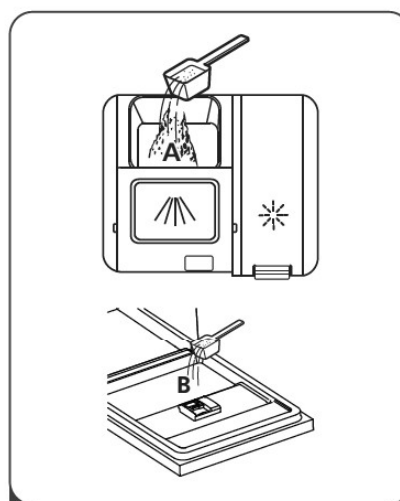
Niveau de produit de rinçage	Position de la molette
d1	Voyant Rapide allumé
d2	Voyant Verre allumé

d3	Voyant Verre, Rapide allumé
d4	Voyant Eco allumé
d5	Voyants Eco et Rapide allumés

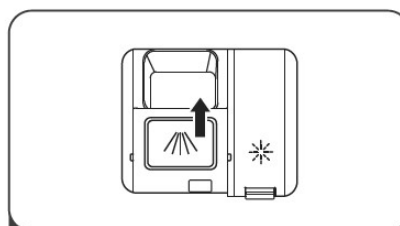
Remplissage du bac à détergent



- 1** Optez pour la méthode d'ouverture correspondant à votre appareil.
1. Ouvrez le couvercle en faisant glisser le loquet d'ouverture.
 2. Ouvrez le couvercle en appuyant sur le loquet d'ouverture.



- 2** Ajoutez du détergent dans le plus grand bac (A) pour le cycle de lavage principal. Pour des performances de nettoyage optimales, surtout si votre vaisselle est très sale, versez une petite quantité de détergent sur la porte. Le détergent supplémentaire s'activera en phase de pré-lavage.



- 3** Pour fermer le couvercle, faites-le glisser vers l'avant puis appuyez dessus.




 **REMARQUE :**

- Sachez qu'en fonction de la saleté de l'eau, les réglages peuvent différer.
- Veuillez observer les recommandations du fabricant indiquées sur l'emballage de votre détergent.

02 SÉLECTION DU PROGRAMME

Tableau des cycles de lavage

Le tableau ci-dessous présente les programmes les plus adaptés en fonction du niveau de saleté de la vaisselle et la quantité de détergent nécessaire. Il apporte également diverses informations relatives aux programmes. Les valeurs de consommation et la durée du programme sont fournies à titre indicatif uniquement, à l'exception du programme ECO. Le symbole (●) indique que ce programme utilise du produit de rinçage lors du rinçage final.

Programme	Description du cycle	Détergent cycle pré-lavage/principal	Fonctionnement Durée (min)	Énergie (kWh)	Eau (L)	Rinçage Produit de
 Intensif	Pré-lavage Lavage (60 °C) Rinçage Rinçage (65-72 °C) Séchage	$\frac{4/18g}{1 \text{ or } 2 \text{ tabs}}$	175	1,275-1,385	13,9	●
Auto ICS+	Pré-lavage (45 °C) Lavage (55- 65 °C) Rinçage Rinçage (55-65 °C) Séchage	$\frac{4/18g}{1 \text{ or } 2 \text{ tabs}}$	150	0,930-1,470	10,3-16,9	●
OPTI 58min 58 min	Lavage (60 °C) Rinçage Rinçage (55-60 °C) Séchage	$\frac{22g}{1 \text{ tab}}$	58	0,905	10,5	●
ECO (*En60436)	Lavage (50 °C) Rinçage Rinçage (40 °C) Séchage	$\frac{22g}{1 \text{ tab}}$	235	0,645	9,8	●
 Verre	Pré-lavage Lavage (45 °C) Rinçage Rinçage (55-60 °C) Séchage	$\frac{4/18g}{1 \text{ or } 2 \text{ tabs}}$	120	0,820-0,925	13,9	●
 Rapide	Lavage (45 °C) Rinçage Rinçage (45 °C)	$\frac{12g}{1 \text{ tab}}$	30	0,584	10,3	○

REMARQUE :

ECO : Le programme ECO est destiné au nettoyage de vaisselle dont le niveau de saleté est normal ; dans le cadre de cette utilisation, il s'agit du programme le plus efficace en termes de consommation d'eau et d'énergie. Il permet également d'évaluer la conformité de l'appareil avec la réglementation européenne relative à l'écoconception.

Économies d'énergie

1. Le pré-rinçage de la vaisselle augmente la consommation d'eau et d'énergie et est donc déconseillé.
2. Laver la vaisselle dans un lave-vaisselle domestique consomme généralement moins d'eau et d'énergie que le lavage à la main, dans la mesure où le lave-vaisselle est utilisé conformément au mode d'emploi.

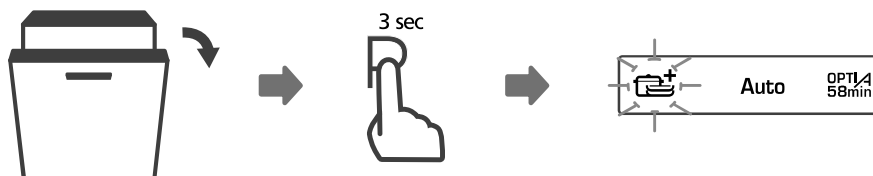
Lancement d'un programme

1. Tirez vers vous les paniers du haut et du bas, placez-y votre vaisselle, puis poussez les paniers à l'intérieur.
Nous vous recommandons de remplir d'abord le panier du bas, puis le panier du haut.
2. Versez le détergent.
3. Branchez l'appareil. Pour en savoir plus sur l'alimentation électrique requise, reportez-vous à la dernière page « Fiche produit ».
Assurez-vous que l'arrivée d'eau est ouverte de manière à assurer un niveau de pression maximal.
4. Ouvrez la porte et appuyez sur le bouton Marche/Arrêt.
5. Choisissez un programme. Le voyant correspondant s'allume. Refermez la porte. Le lave-vaisselle démarre le cycle de lavage.

Comment changer de programme en cours de cycle

Vous ne pouvez changer de programme que si celui-ci a démarré depuis peu de temps. Sinon, le détergent aura déjà été distribué ou l'eau de lavage additionnée de détergent aura déjà été évacuée. Si tel est le cas, vous devez réinitialiser le lave-vaisselle et remplir à nouveau le bac à détergent. Pour réinitialiser le lave-vaisselle, suivez les consignes ci-dessous :

1. Entrouvrez la porte pour arrêter le lave-vaisselle. Une fois les bras de lavage à l'arrêt complet, vous pouvez ouvrir la porte entièrement.
2. Appuyez au moins trois secondes sur le **bouton Programme** pour accéder au mode de sélection de programme.
3. Vous pouvez changer de programme en sélectionnant le cycle souhaité.



Un plat à rajouter ?

Vous pouvez rajouter de la vaisselle à tout moment avant l'ouverture du bac à détergent. Pour ce faire, suivez les consignes ci-dessous :

1. Entrouvrez la porte pour arrêter le lavage.
2. Une fois les bras de lavage à l'arrêt complet, vous pouvez ouvrir la porte entièrement.
3. Placez la vaisselle oubliée dans l'appareil.
4. Fermez la porte.
5. Le lave-vaisselle redémarre.



⚠ AVERTISSEMENT



Ouvrir la porte au cours d'un cycle est dangereux : la vapeur chaude qui s'échappe peut vous brûler.

Ouverture automatique

La porte du lave-vaisselle s'ouvre automatiquement à la fin de certains programmes. Lorsque la porte s'ouvre, cela ne signifie pas que le programme est terminé. Il reste le temps de séchage. À la fin de ce temps restant, un signal sonore indique que le programme est à présent terminé.



💡 REMARQUE :

La porte du lave-vaisselle ne doit pas être bloquée lorsque la fonction d'ouverture automatique est activée. Cela pourrait endommager le système de verrouillage de la porte.

💡 REMARQUE :

Vous pouvez rétablir les paramètres de sortie d'usine à tout moment. Veuillez vous référer aux pages de configuration qui suivent.

03 CODES D'ERREUR

En cas de dysfonctionnement, le lave-vaisselle affiche un code d'erreur. Le tableau suivant présente les codes d'erreur possibles ainsi que leurs causes.

Code	Signification	Causes possibles
Le voyant Rapide clignote rapidement	Délai d'arrivée d'eau plus long.	Le robinet est fermé, l'arrivée d'eau est bloquée ou la pression de l'eau est trop faible.
Les voyants Verre et Rapide clignotent rapidement.	Température requise non atteinte.	Dysfonctionnement de l'élément chauffant.
Le voyant ECO clignote rapidement	Débordement.	Un élément du lave-vaisselle fuit.
Le voyant 58 min clignote rapidement.	Mauvaise orientation du robinet d'alimentation.	Circuit ouvert ou court-circuit de la valve de distribution.
Le voyant 58 min et ECO clignote rapidement.	Erreur du système de contrôle du lavage.	Erreur de carte ou du moteur.
Les voyants 58 min, ECO et Rapide clignotent rapidement.	Défaut de communication entre la carte principale et la carte d'affichage.	Circuit ouvert ou court-circuit de la communication.



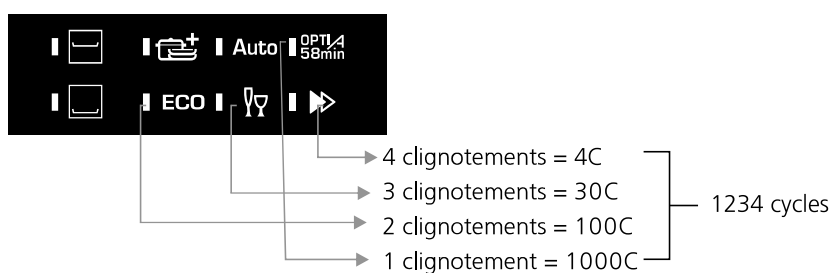
AVERTISSEMENT

- En cas de débordement, coupez l'arrivée d'eau avant d'appeler un technicien.
- En cas de présence d'eau dans la base de la cuve suite à un débordement ou à une petite fuite, retirez l'eau avant de redémarrer le lave-vaisselle.
- Si vous ne parvenez pas à résoudre un code d'erreur, veuillez faire appel à un technicien professionnel.

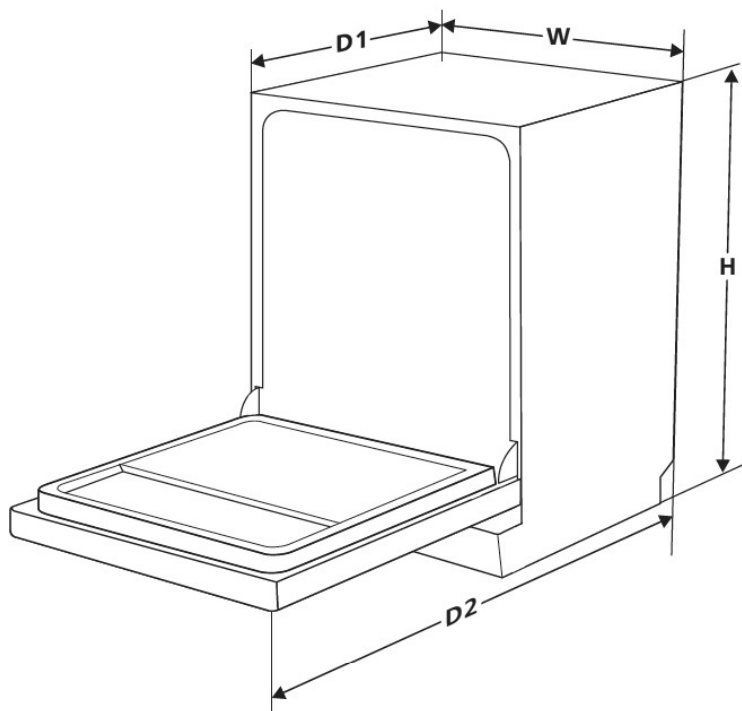
04 COMPTEUR D'UTILISATIONS

Ce modèle n'étant pas équipé d'un écran d'affichage, le nombre de cycles est indiqué par 4 LED de la manière suivante :

1. Lorsque le câble d'alimentation est branché mais que le lave-vaisselle n'est pas allumé, ouvrez la porte et maintenez appuyé le bouton Départ différé pendant 5 secondes pour afficher le nombre d'utilisations de l'appareil ;
2. Le nombre de cycles sera indiqué en commençant par le chiffre des unités jusqu'au chiffre des milliers, selon la séquence suivante : le clignotement du voyant Rapide indique le chiffre des unités, le clignotement du voyant Verre indique le chiffre des dizaines, le clignotement du voyant ECO indique le chiffre des centaines et le clignotement du voyant 58 min indique le chiffre des milliers ;
3. Par exemple, le compte de 1 234 cycles sera indiqué comme sur l'illustration ci-dessous.



05 INFORMATIONS TECHNIQUES



Hauteur (H)	815 mm
Largeur (W)	598 mm
Profondeur (D1)	550 mm (porte fermée)
Profondeur (D2)	1 150 mm (porte ouverte à 90°)

ACCES BASE DE DONNEES

Afin d'accéder aux informations concernant votre modèle, stocké dans la base de données des produits, conformément au règlement (UE) 2019/2017 et relatif à l'étiquetage énergétique, veuillez-vous connecter au site internet : <https://eprel.ec.europa.eu/>

Rechercher la référence de votre appareil sur le site internet en entrant la référence service qui est indiquée sur la plaque signalétique de votre appareil.

Un autre moyen d'accéder à ces informations est de flasher le code « QR » présent sur l'étiquette énergétique de votre produit.

FR Service Après-vente :

1- RELATIONS CONSOMMATEURS FRANCE

Pour en savoir plus sur nos produits ou nous contacter, vous pouvez:

- consulter notre site : www.brandt.fr
- nous écrire à l'adresse postale suivante :
Service Consommateurs BRANDT
5 avenue des Béthunes
CS69526 SAINT OUEN L'AUMONE
95060 CERGY PONTOISE CEDEX
- nous appeler du lundi au vendredi de 8h30 à 18h00 au :

0 892 02 88 01 Service 0,50 € / min
+ prix appel

Service fourni par Brandt France, S.A.S. au capital social de 100.000.000 euros
RCS Nanterre 801 250 531.

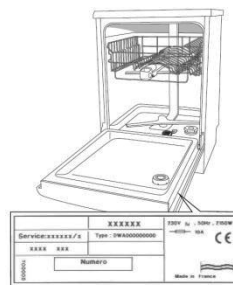
2- INTERVENTIONS FRANCE

Les éventuelles interventions sur votre appareil doivent être effectuées par un professionnel qualifié dépositaire de la marque. Lors de votre appel, afin de faciliter la prise en charge de votre demande, munissez-vous des références complètes de votre appareil (référence commerciale, référence service, numéro de série). Ces renseignements figurent sur la plaque signalétique.



A	B	
SERVICE : C	TYPE : D	G
E	F	
Nr. H		I

B : Référence commerciale
C : Référence service
H : Numéro de série



Vous pouvez nous contacter du lundi au samedi de 8h00 à 20h00 au :

09 69 39 25 25 Service gratuit
+ prix appel

Pièces d'origine :

Lors d'une intervention, demandez l'utilisation exclusive de pièces détachées certifiées d'origine.

INFORMATION :

La durée minimale de mise à disposition des pièces de rechange inscrites dans la liste du Règlement Européen 2019-2022-EU et accessibles notamment à l'utilisateur de l'appareil, est de 10 ans dans les conditions prévues par ce même règlement.

