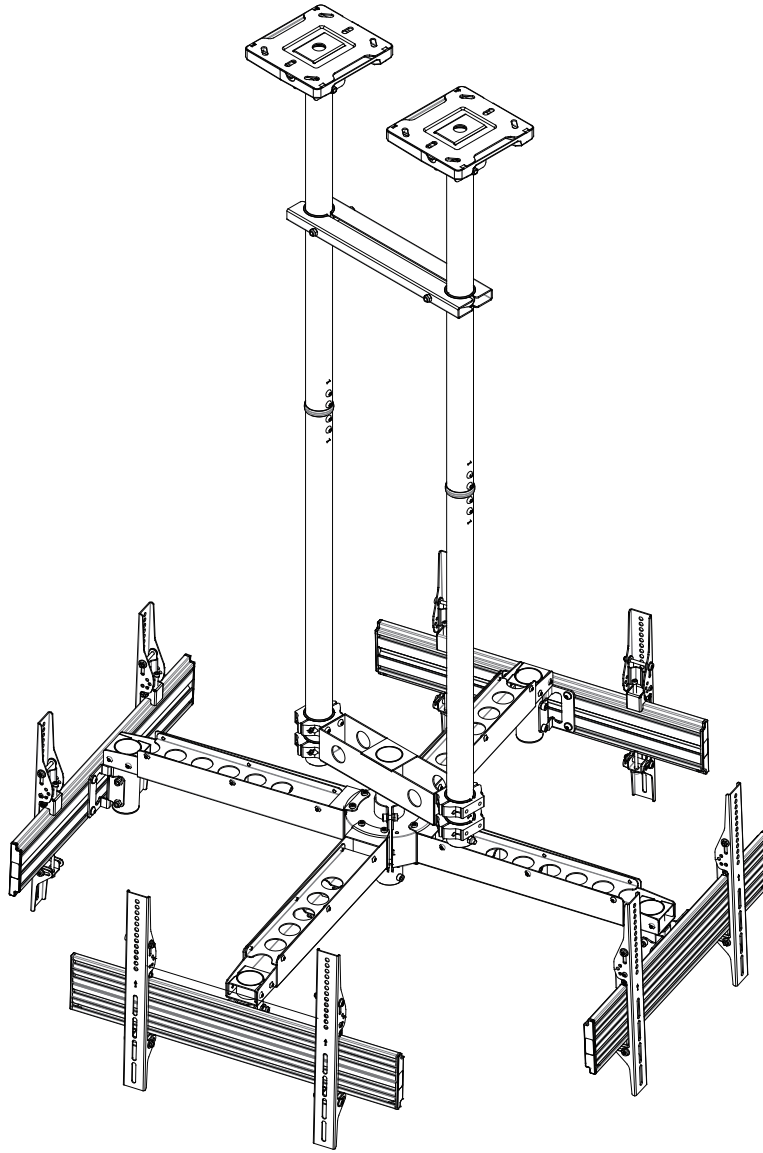


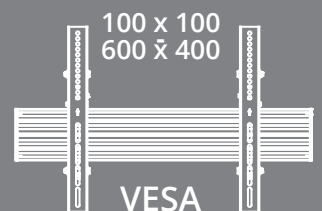
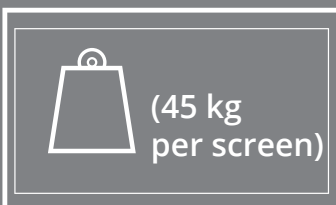
# Kimex

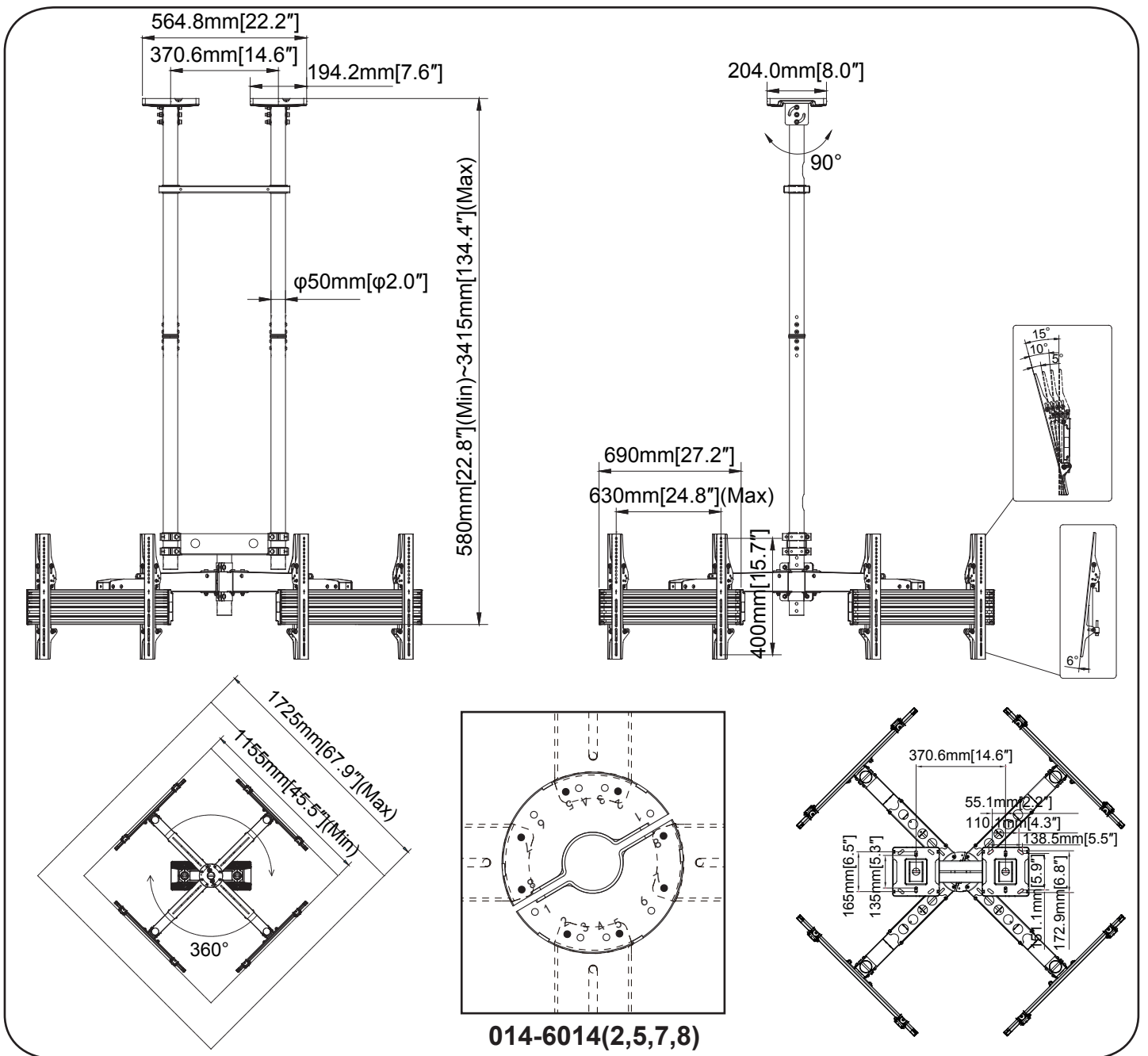


**014-6014**

Installation instruction / Manuel d'installation V1

## Support plafond pour 4 écrans TV 50"-75" Ceiling TV Mount for Four TVs





## Parts list / Liste des composants

A1	A2	A3	A4	A5	A6	A7
M5X15	M6X15	M8X25	Ø16XØ6.2X1.5	M8X45	Ø16XØ8.2X1.5	Ø13XØ8.2X13
X4	X4	X4	X4	X4	X4	X4

**X4**

B1	B2	B3	B4	B5	B6
M8X10	4&5mm	6mm		M6X8	M8
X16	X1(Each)	X1	X1	X16	X16

**X1**








C7	C8	C9	C10
Ø13XØ6.2X1.5	M6x85	M6	M8x100
X8	X8	X8	X2

**X1**

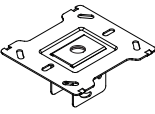

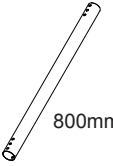

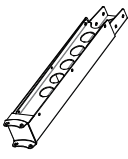
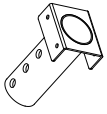
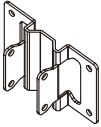
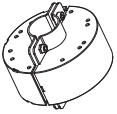
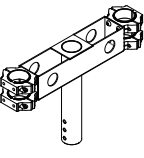
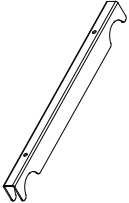



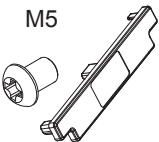


C1	C2	C3	Boulon	C4	C5	C6
M8X70	φ16Xφ8.2X1.5	M8	Lag bolt	φ16Xφ8.2X1.5	Anchor	M8X65
X3	X6	X9	X6	X6	X6	X6

**X1**

Cheville


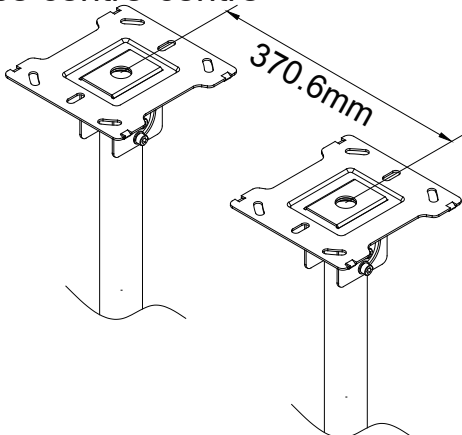
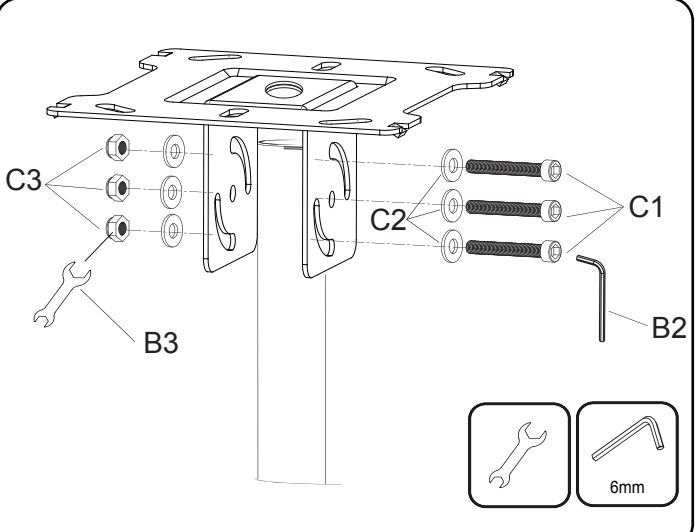
<b>C1</b> M8X70  X3	<b>C2</b> φ16Xφ8.2X1.5  X6	<b>C3</b> M8  X8	<b>Boulon</b> Lag bolt  X6	<b>C4</b> φ16Xφ8.2X1.5  X6	<b>C5</b> Anchor  X6	<b>C6</b> M8X65  X5
---	--	--	--	--	--	---

X1

<b>D1</b>  X2	<b>D2</b>  X4	<b>D3</b> 800mm  X8	<b>D4</b> 680mm  X4	<b>D5</b>  X4	<b>D6</b>  X4	<b>D7</b>  X4	<b>D8</b>  X1
<b>D9</b>  X1	<b>D10</b>  X2	<b>D11</b>  X2	<b>D12</b> 400T  X8	<b>D13</b>  X2	<b>D14</b> M5  X8	<b>D15</b>  X8	<b>D16</b>  X6

### Installation

**1** Distance from center to center  
Distance centre-centre



B3

C3

C2



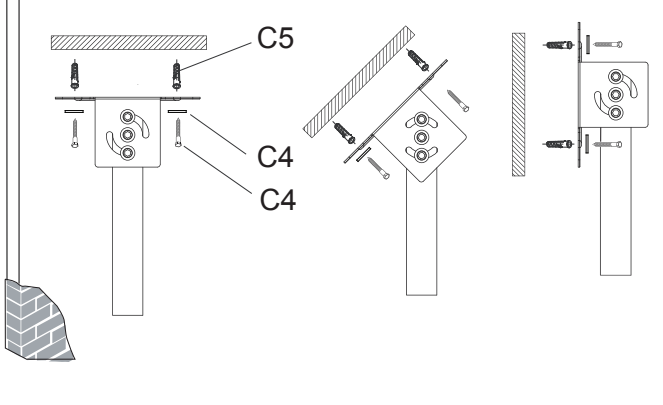
C1

B2

6mm

**3** BRICK OR CONCRETE  
BRIQUE OU BETON



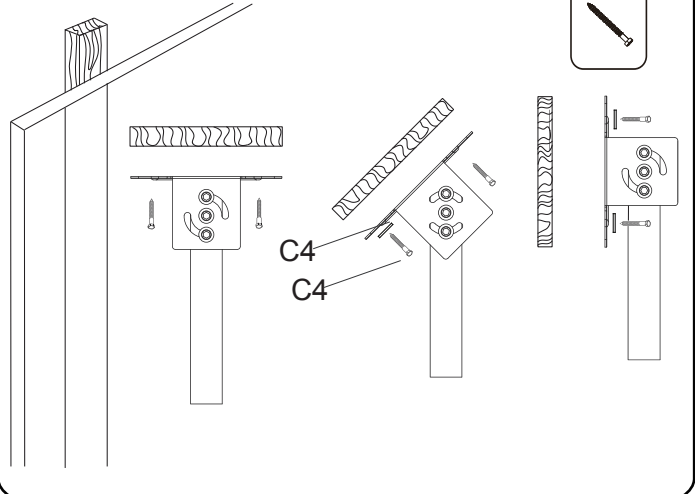




C5

C4

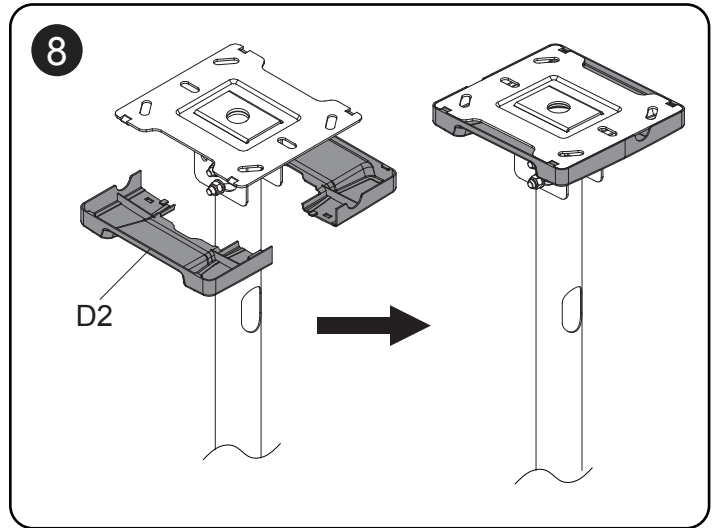
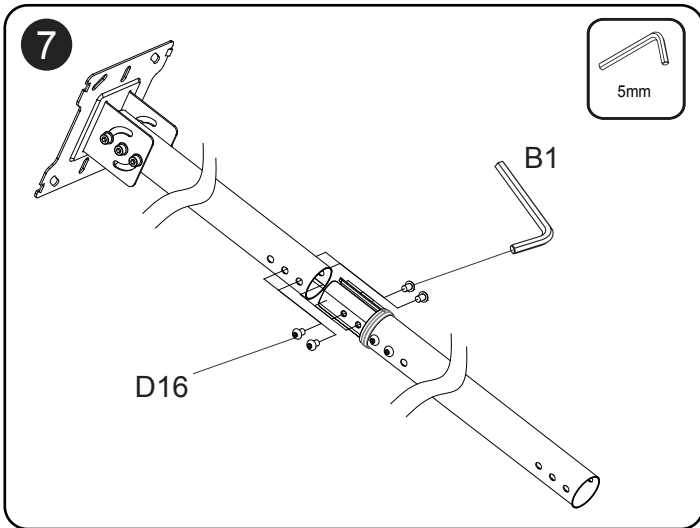
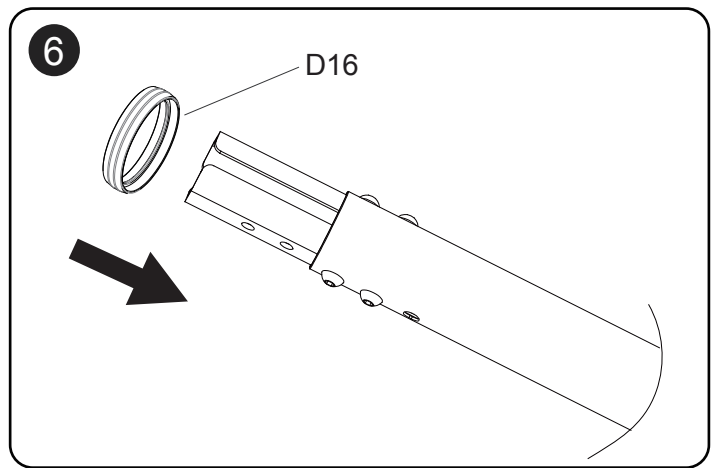
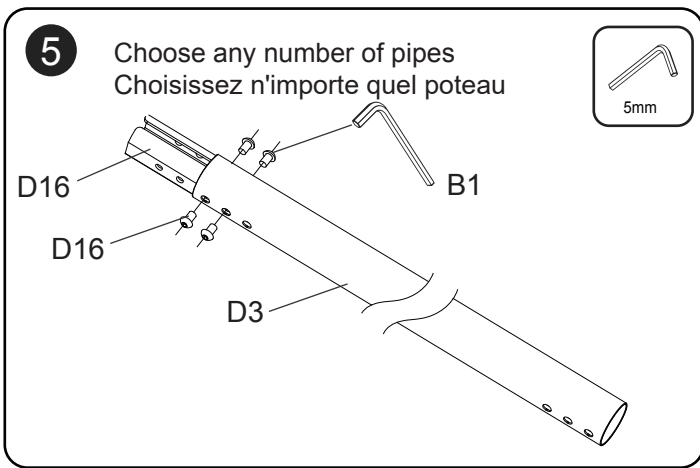
C4

**4** WOOD / BOIS

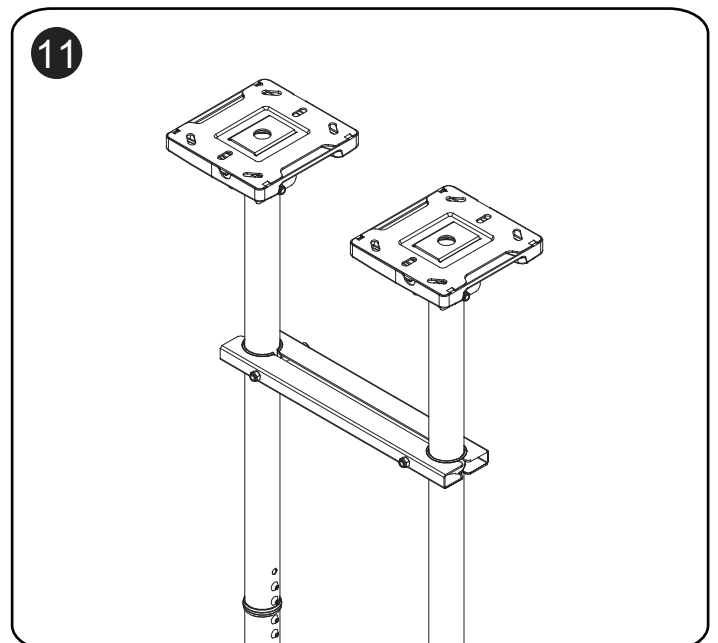
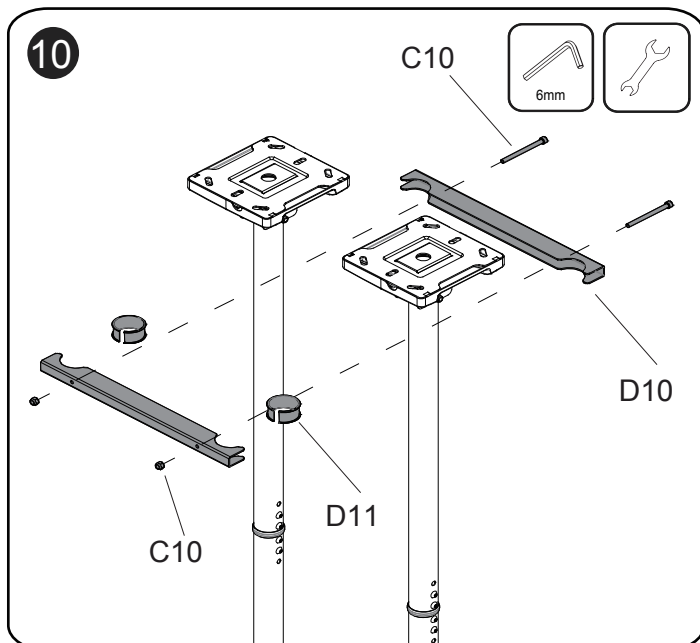
C4

C4

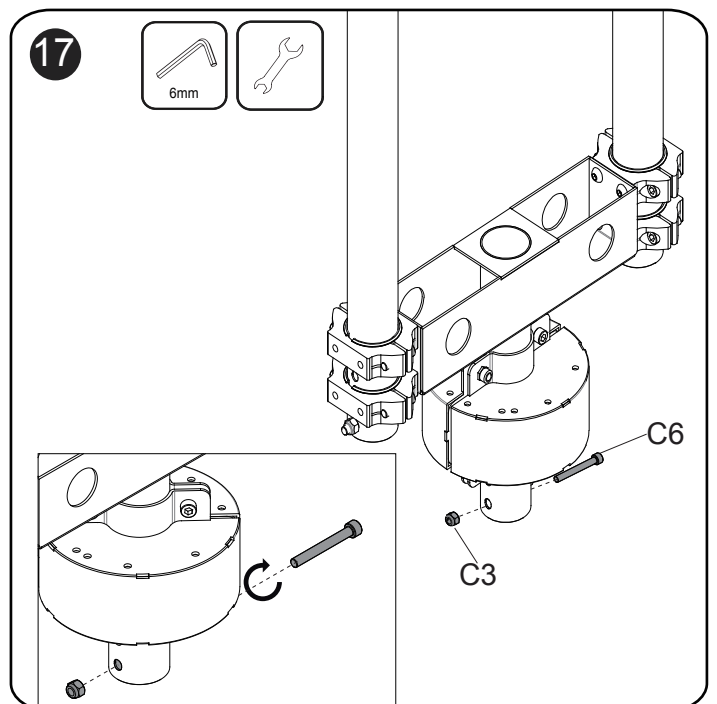
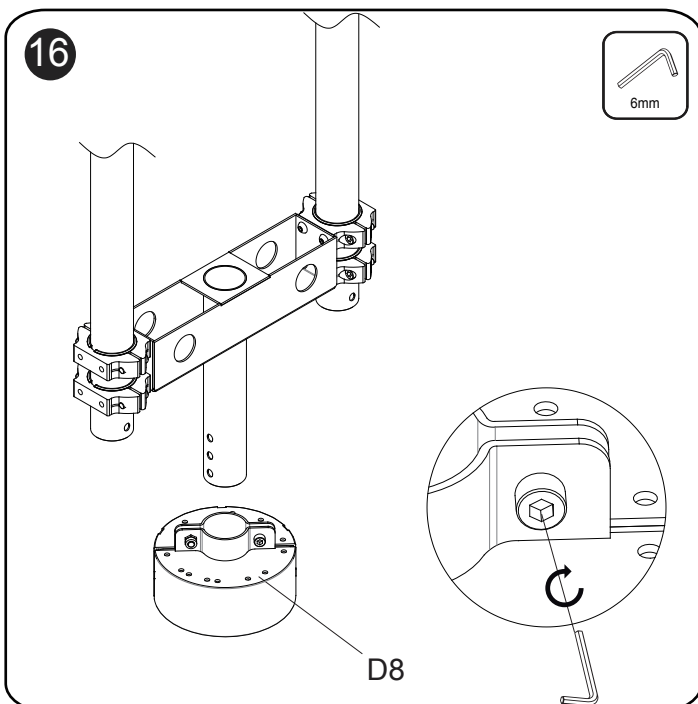
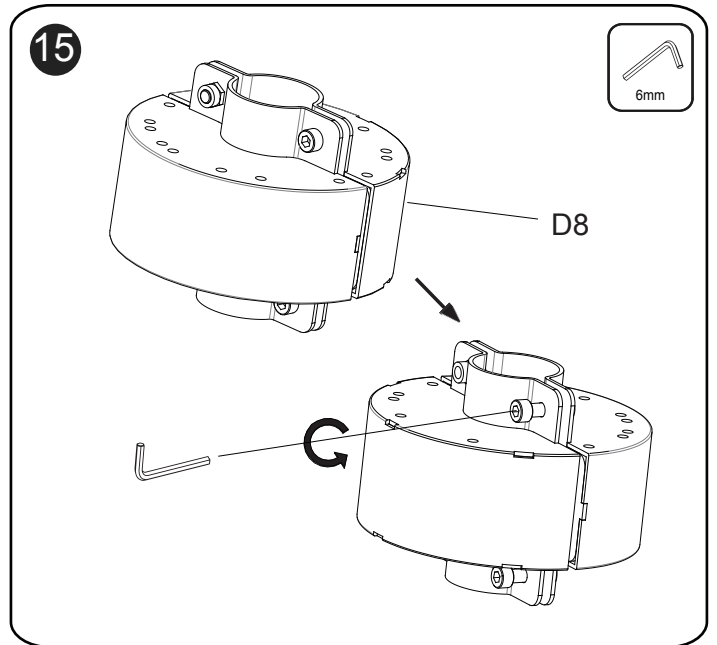
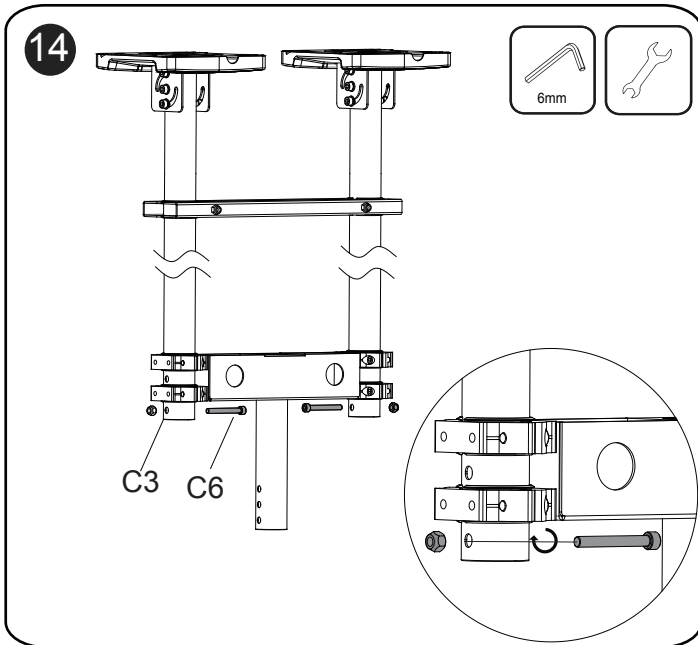
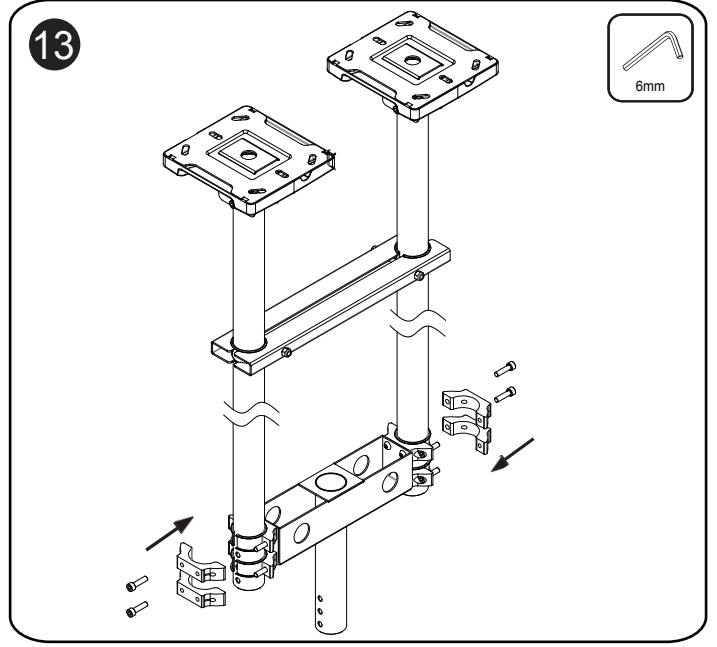
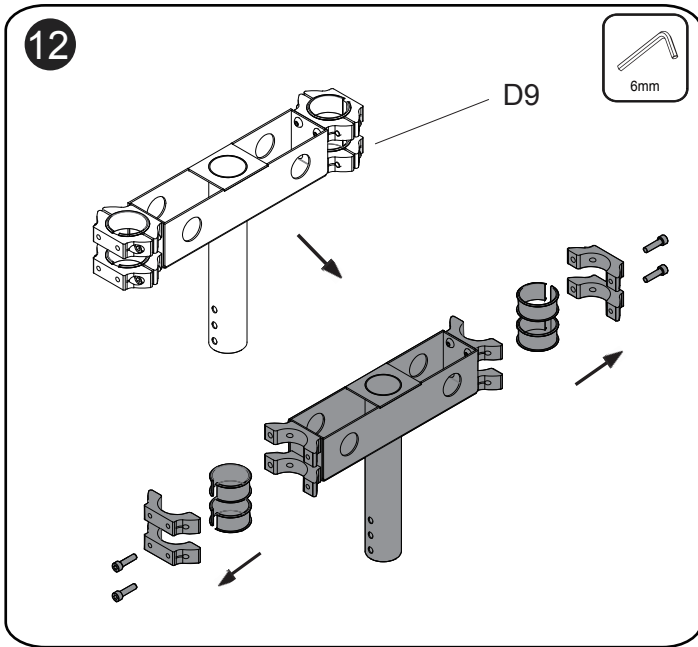


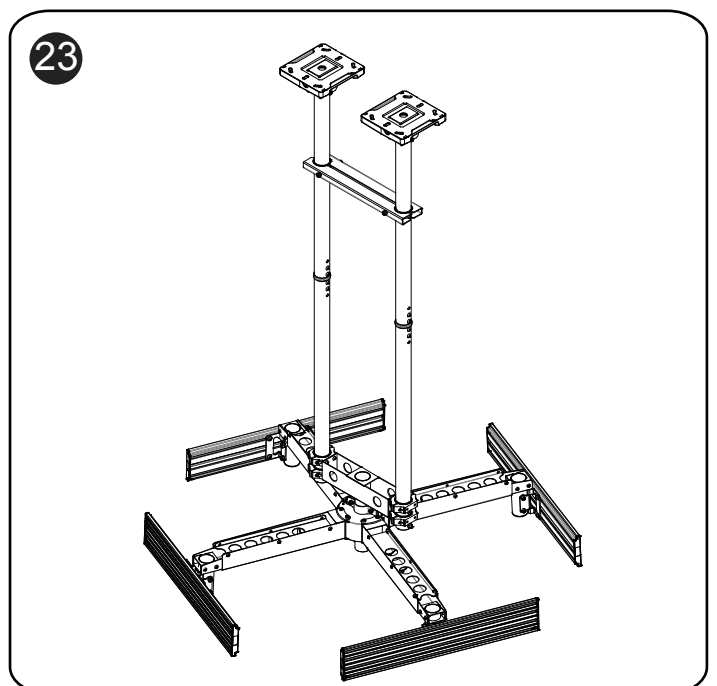
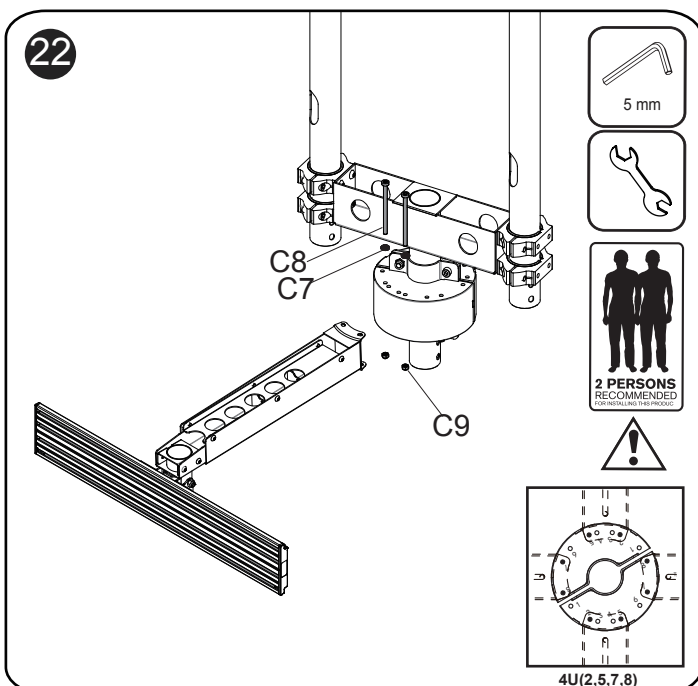
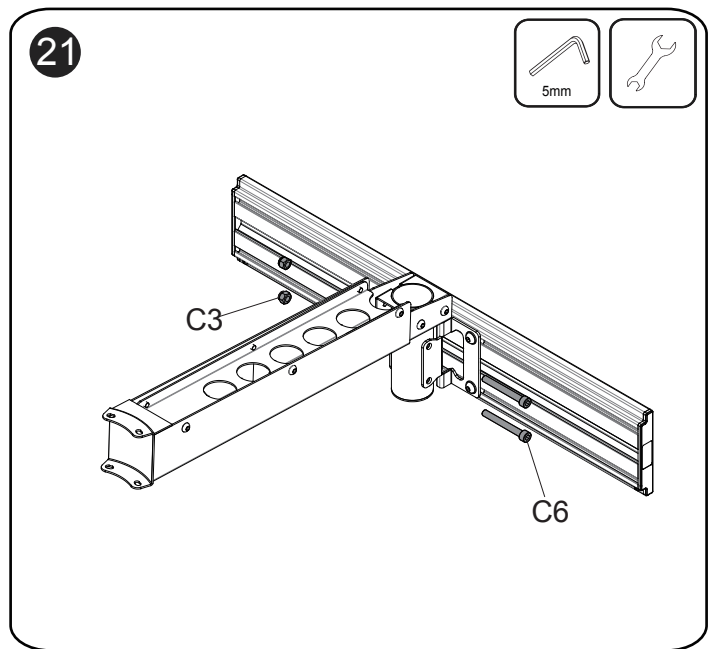
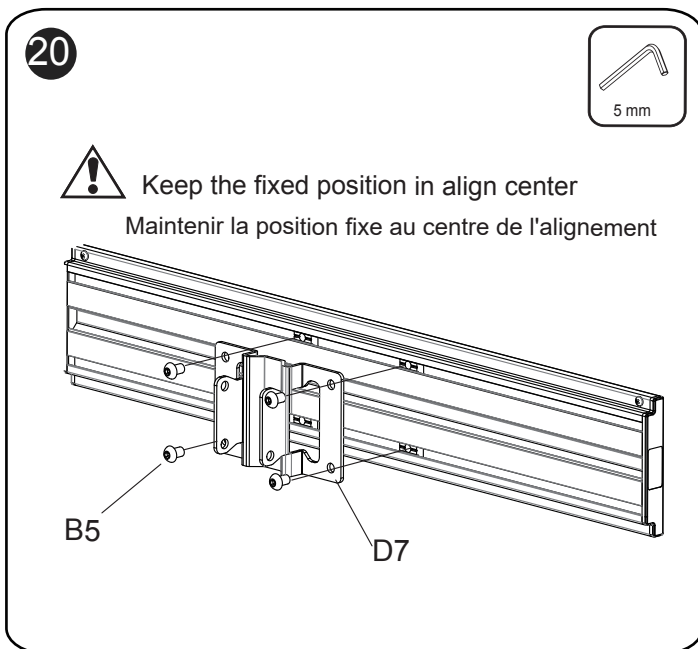
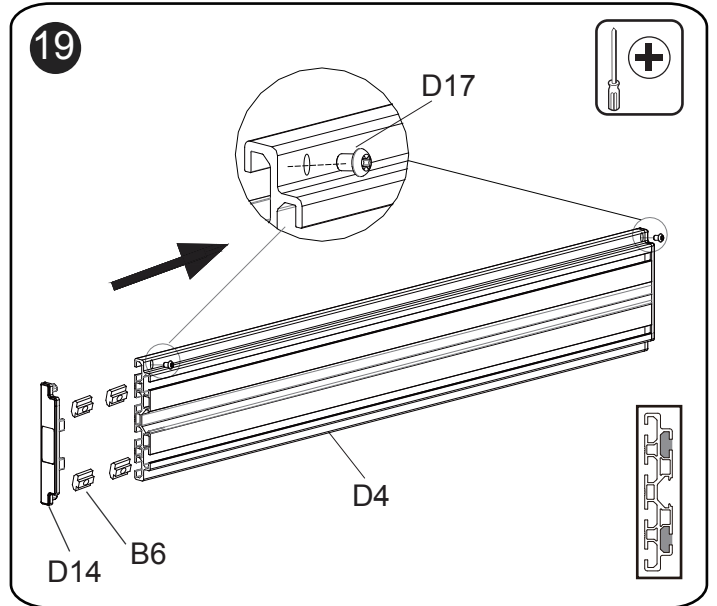
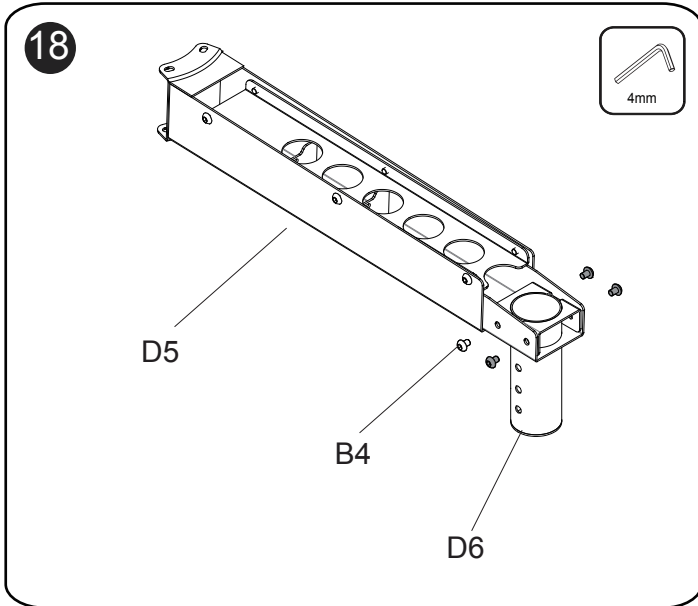
**9**

Please refer to page 1 and 8 for the remaining steps.  
Veuillez vous reporter aux pages 1 et 8 pour les étapes restantes.

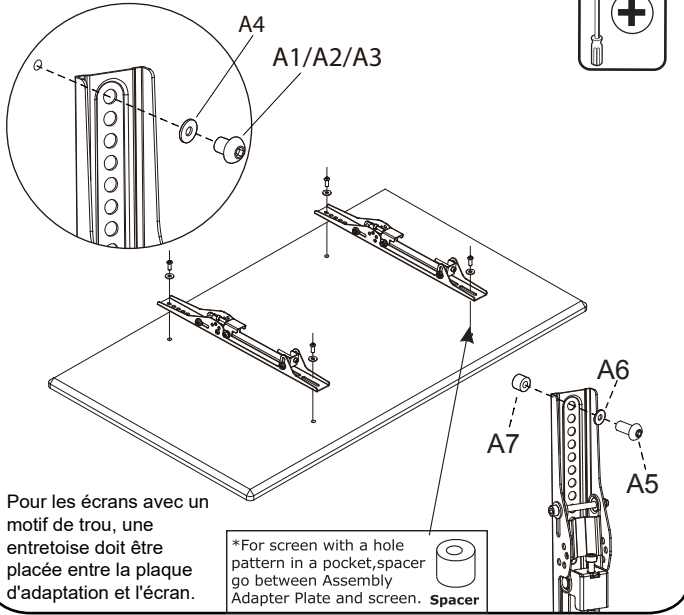




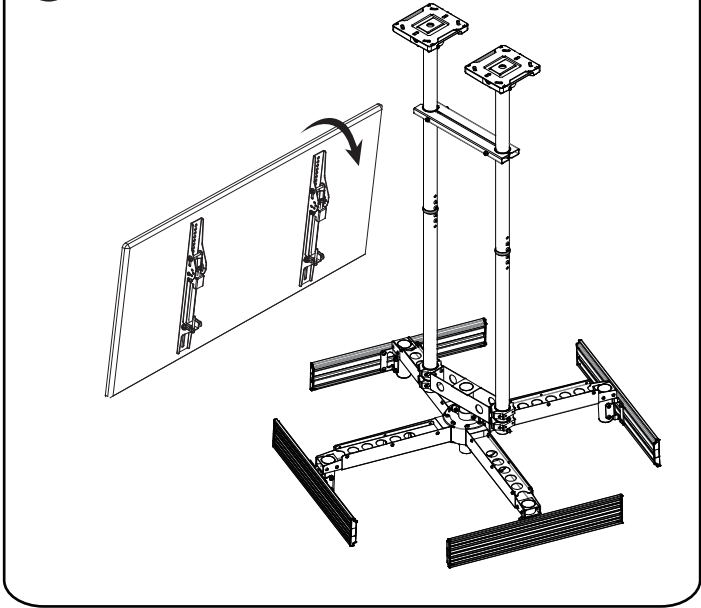




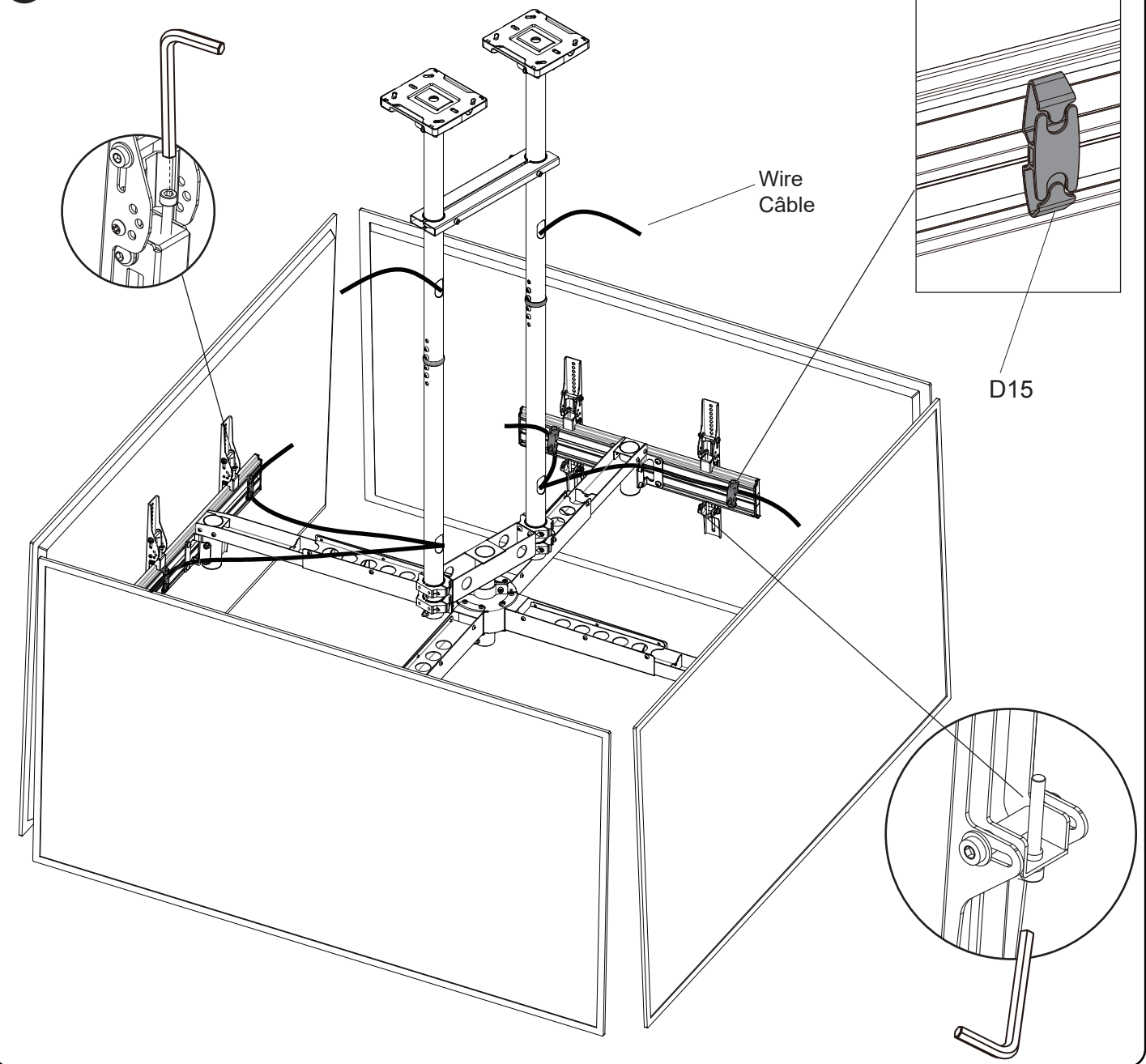
24



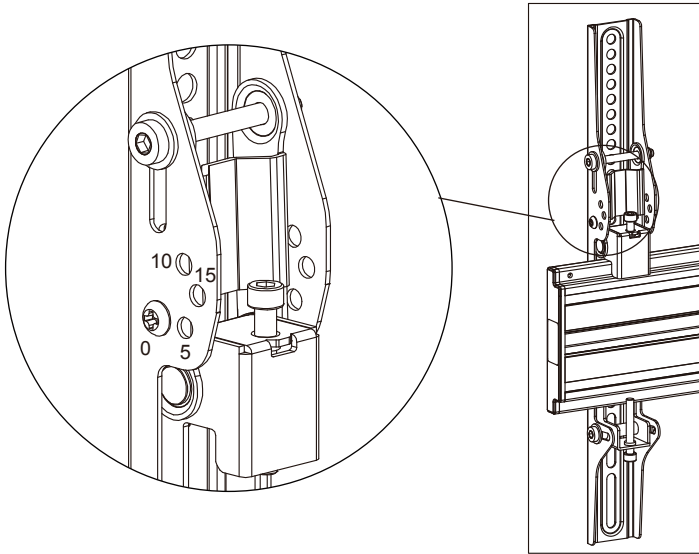
25



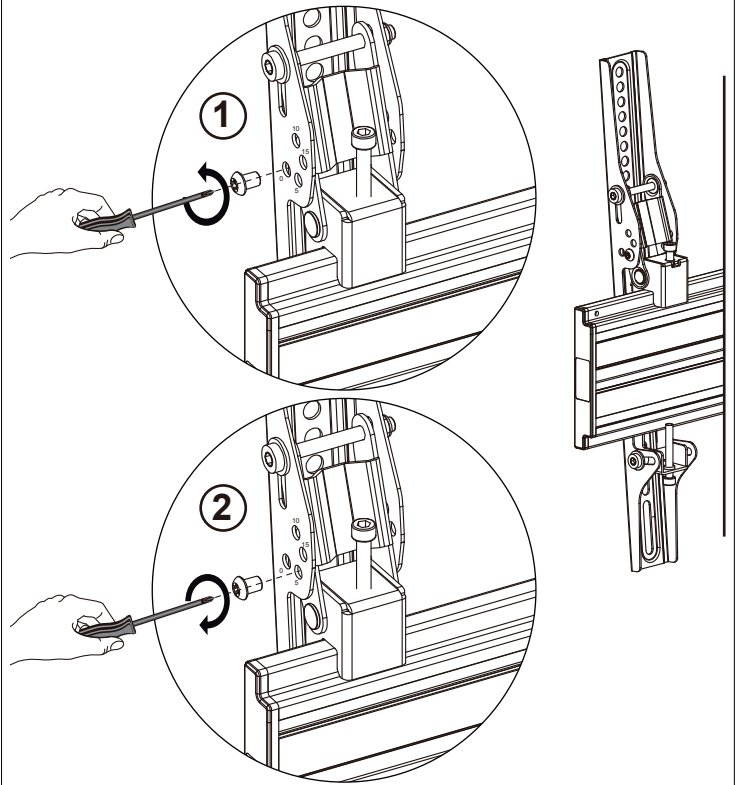
26



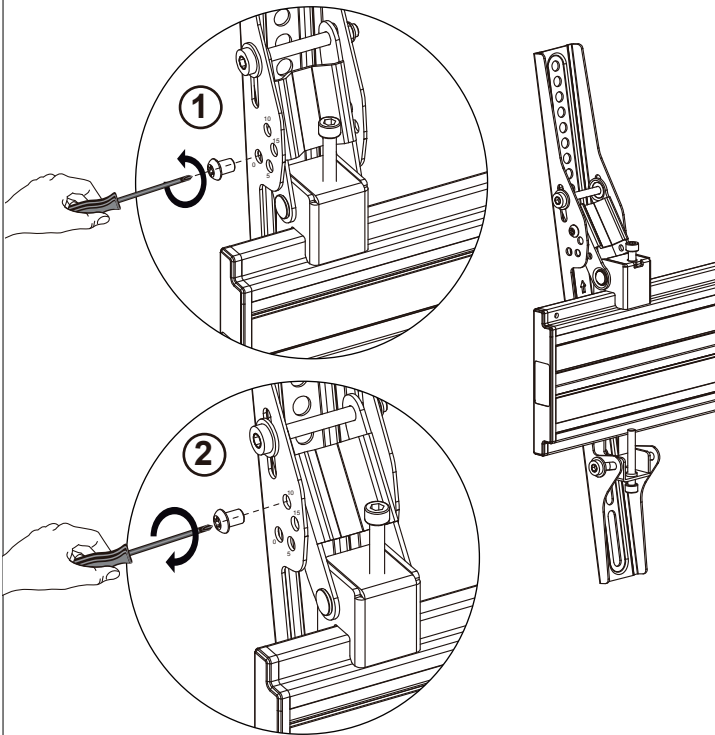
Tilt / Inclinaison 0°



Tilt / Inclinaison 5°



Tilt / Inclinaison 10°



Tilt / Inclinaison 15°

