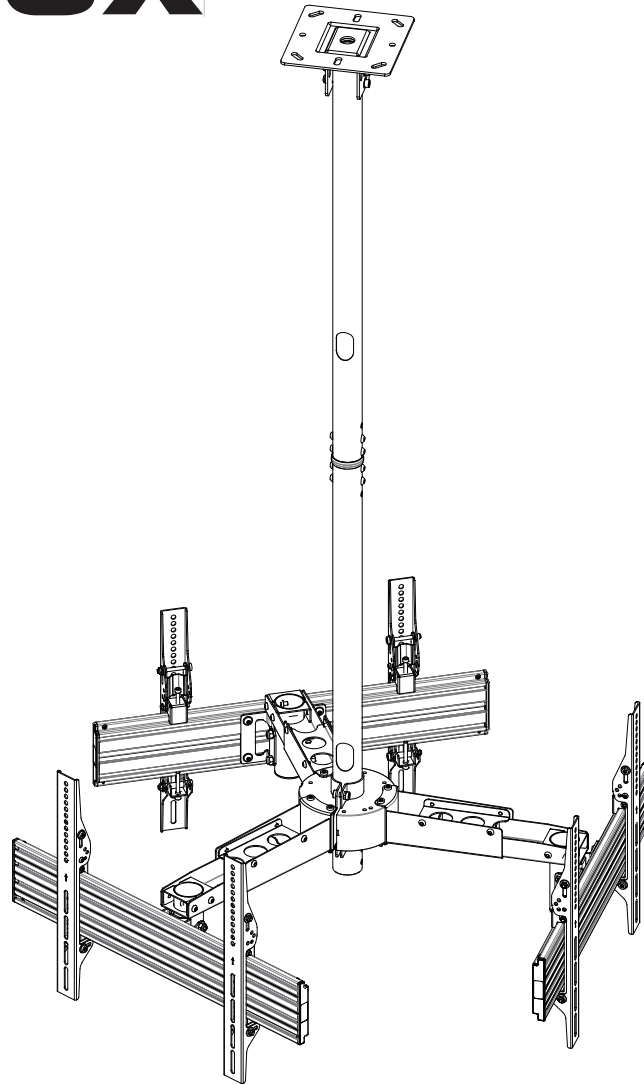


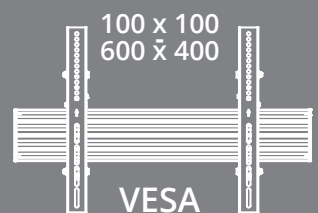
Kimex



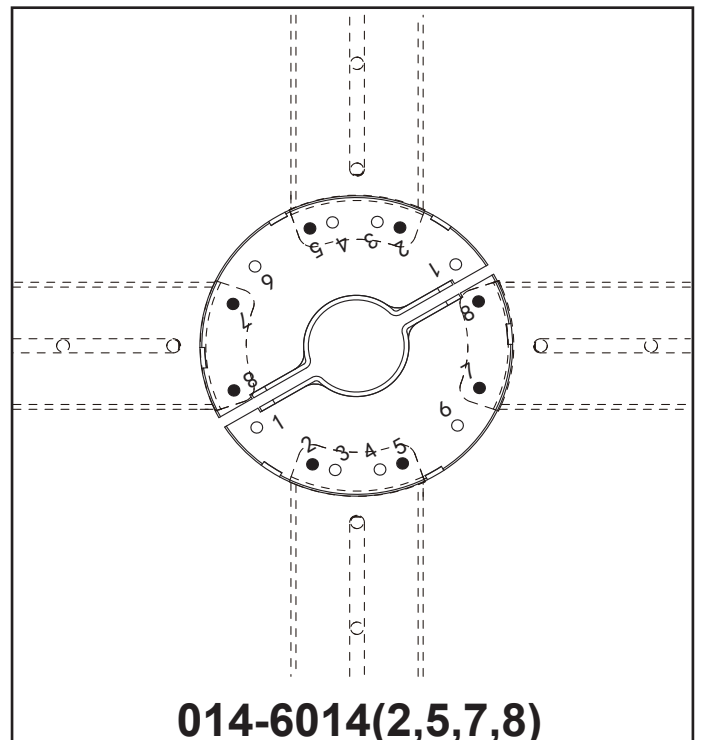
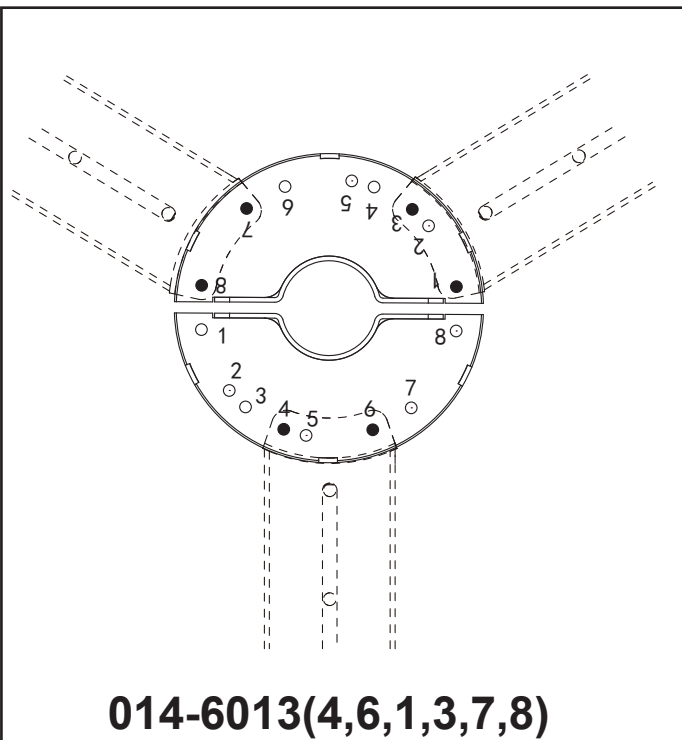
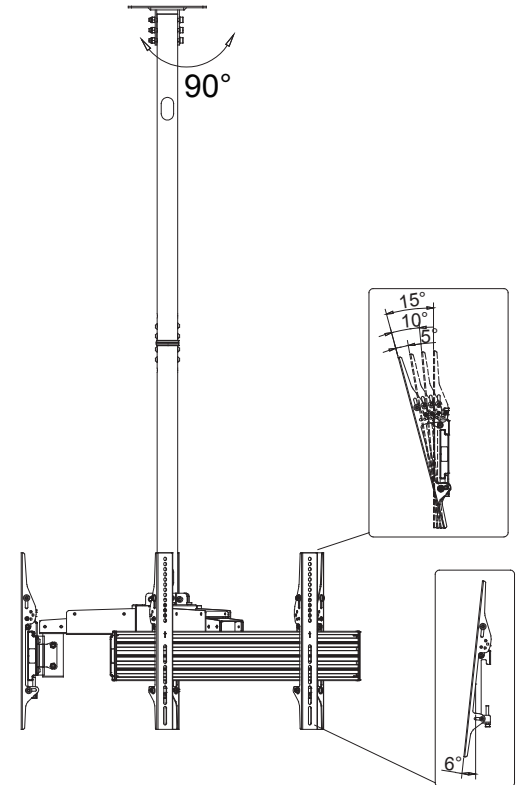
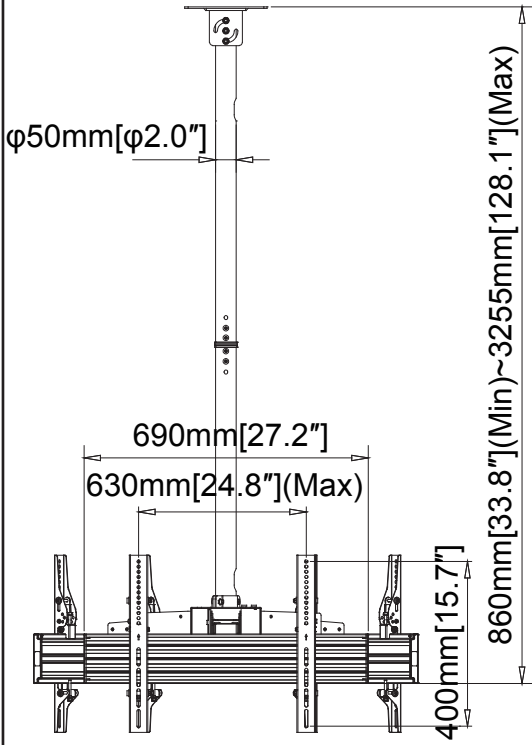
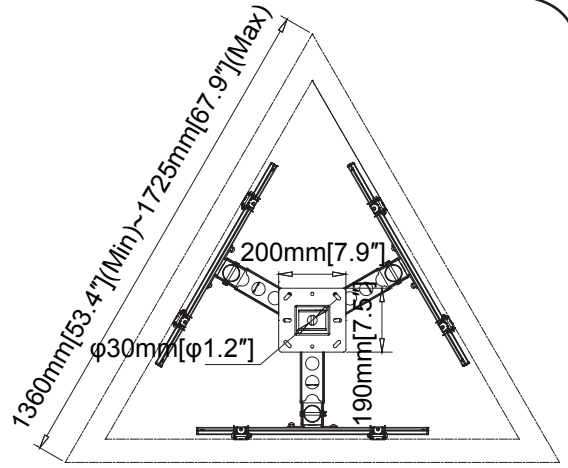
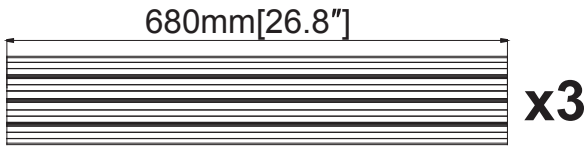
014-6013

Installation instruction / Instructions d'installation V1

Support plafond pour 3 écrans TV 50"- 75" Triple Screen TV Ceiling Mount



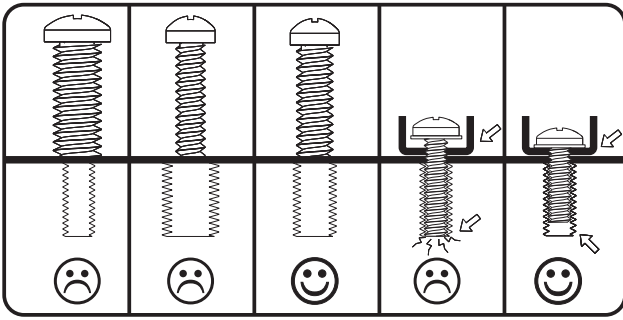
Dimensions



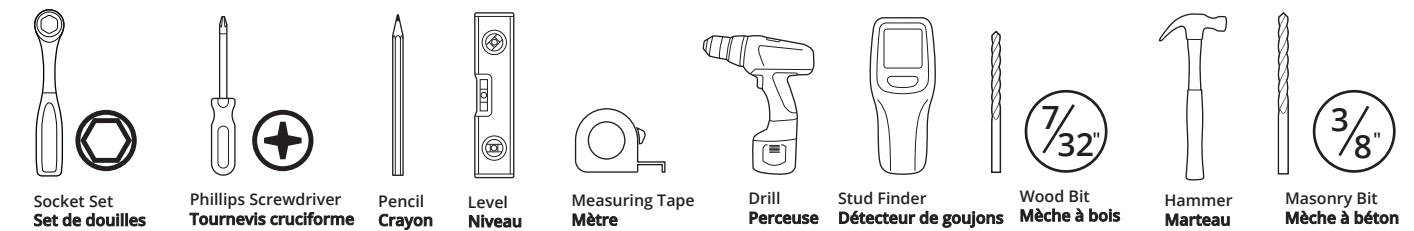
CAUTION / ATTENTION

The maximum loading weight is 66 lbs (30kg Per Screen). This mount is intended for use only with the maximum weights indicated. Use with products heavier than the maximum weights indicated may result in instability causing possible injury. The wall you plan to affix the 014-6013 mount to must be also able to support more than 5 times the weight of the television and the mount combined. Do not use this product for any purpose other than to mount a VESA compliant TV on a vertical surface as outlined in this manual. Improper installation may cause damage to your TV or serious injury. This product should not be mounted on steel stud walls or cinder block walls. Consult a qualified installation contractor if you are unsure about the type of wall you may have.








Select TV Screws / Vis









Required Tools / Outils requis









Parts List / Liste de composants

A1	A2	A3	A4	A5	A6	A7
M5X15	M6X15	M8X25	Ø16XØ6.2X1.5	M8X45	Ø16XØ8.2X1.5	Ø13XØ8.2X13
						
X4	X4	X4	X4	X4	X4	X4



X3

B1	B2	B3	B4	B5	B6
M8X10	4&5mm	6mm		M6X8	M8
					
X12	X1(Each)	X1	X1	X12	X12

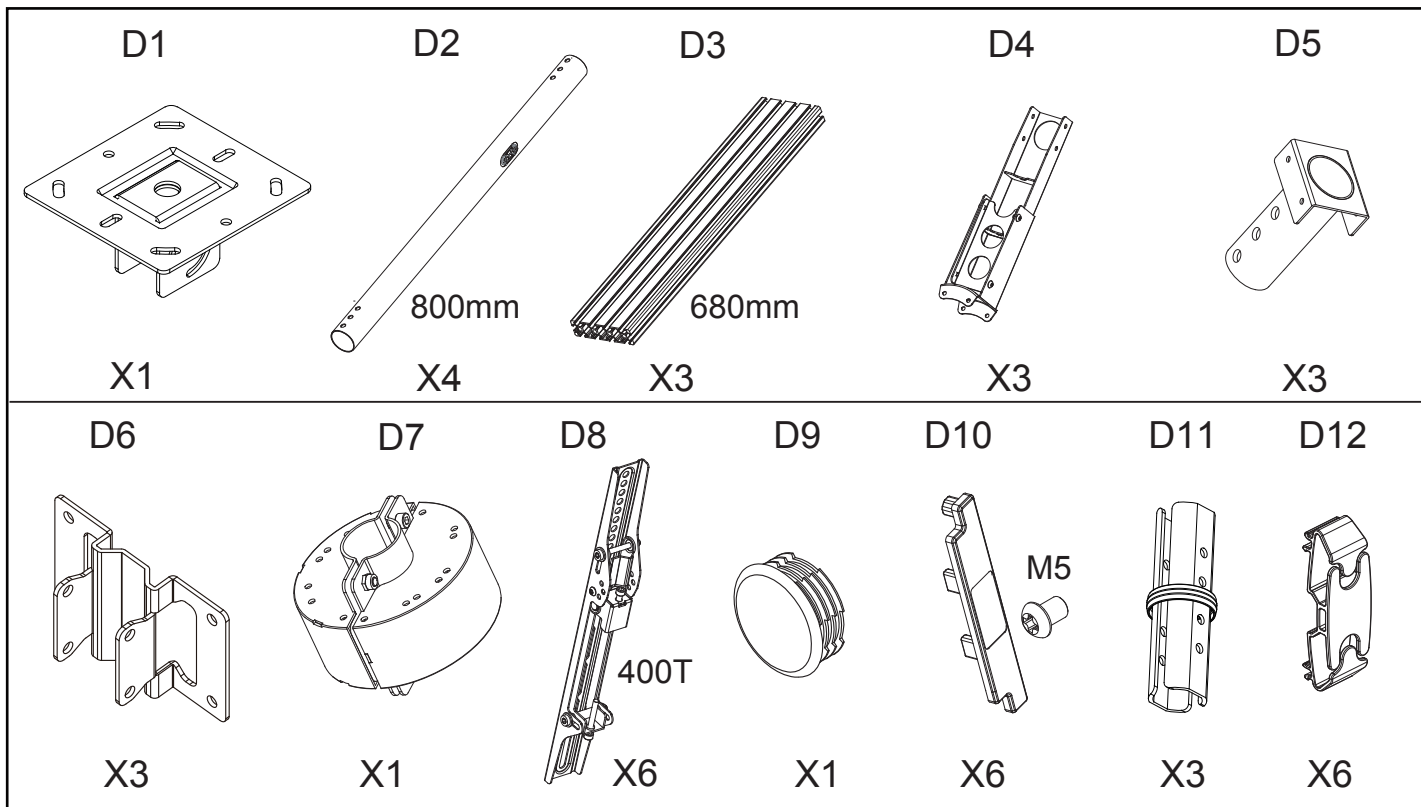
X1

C1	C2	C3	C4	C5	C6
M8X70	φ16Xφ8.2X1.5	M8	Lag bolt	Anchor	M8X65
					
X3	X6	X10	X6	X6	X7

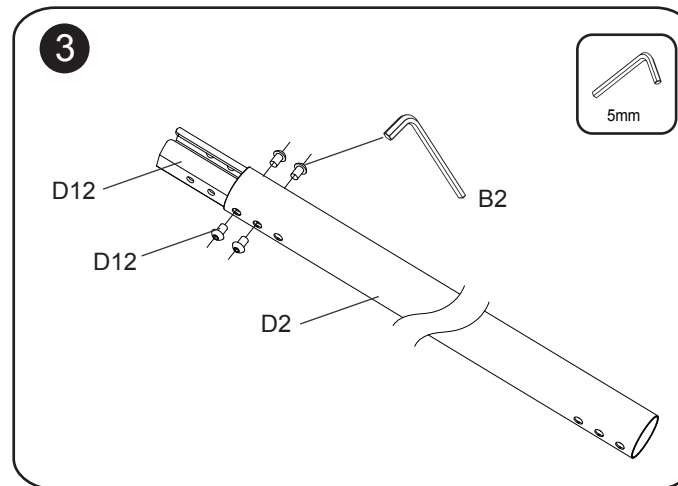
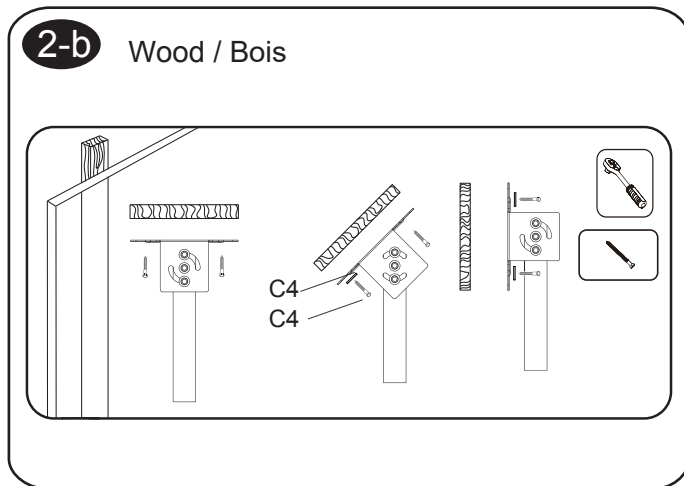
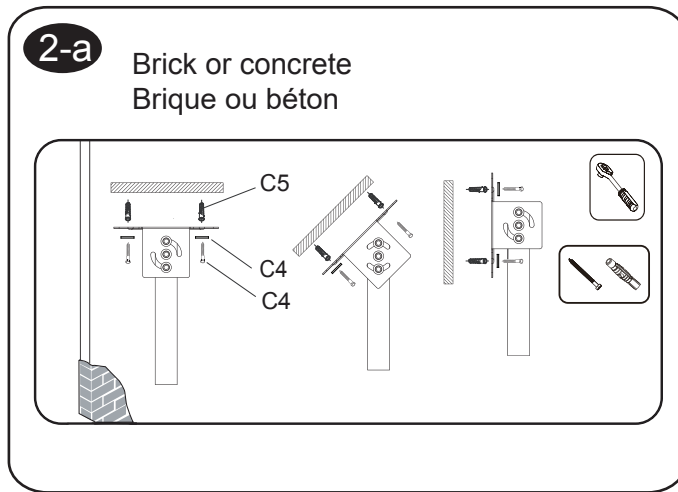
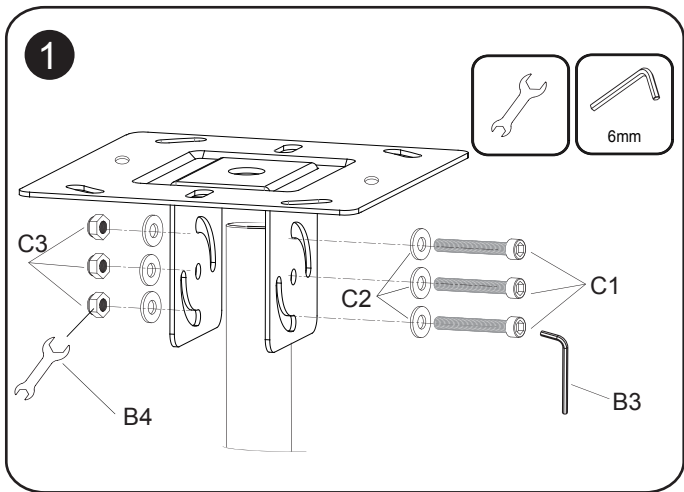
X1

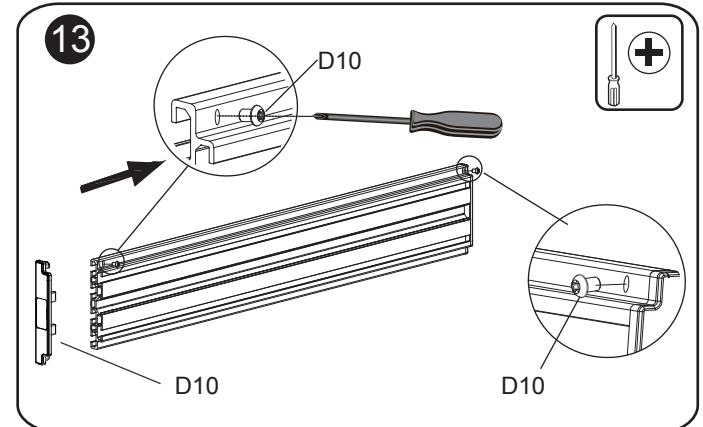
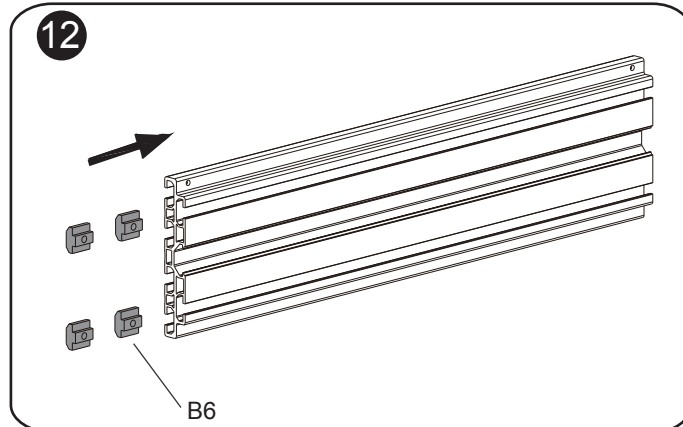
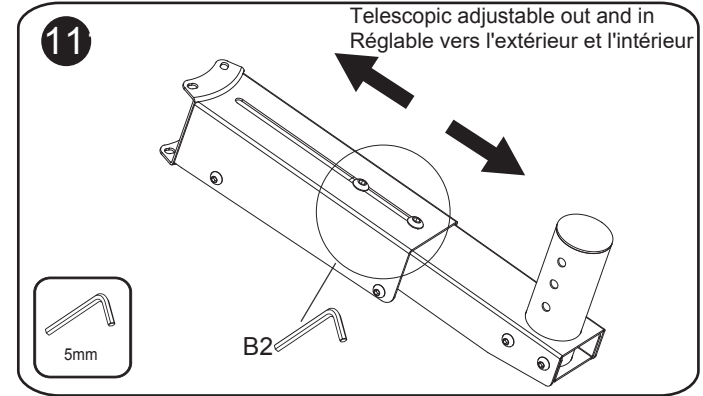
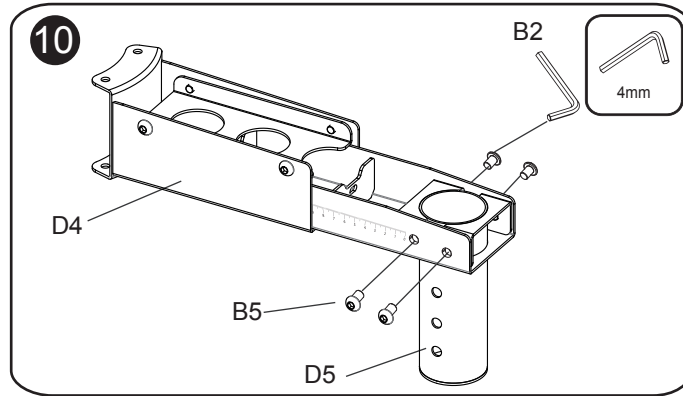
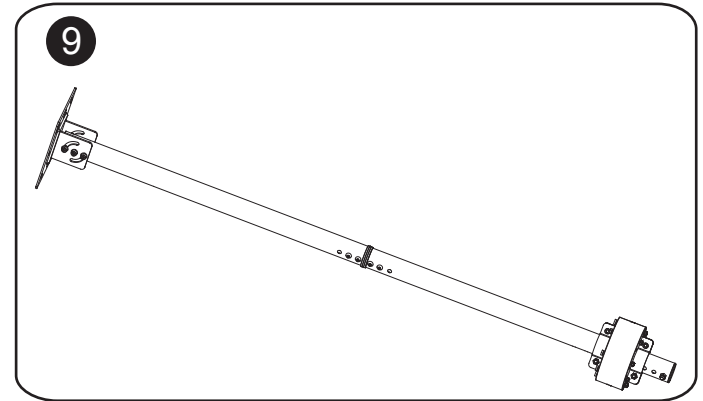
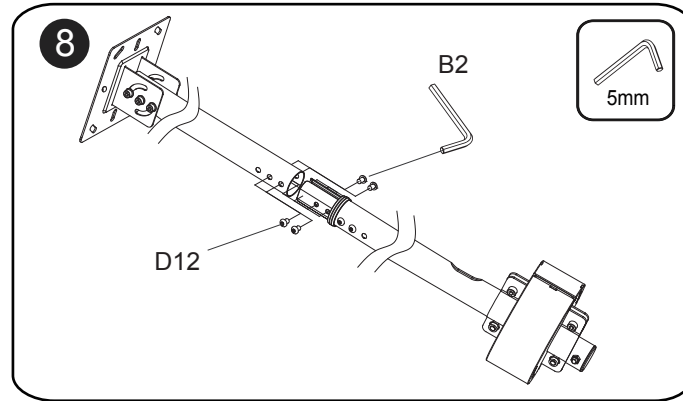
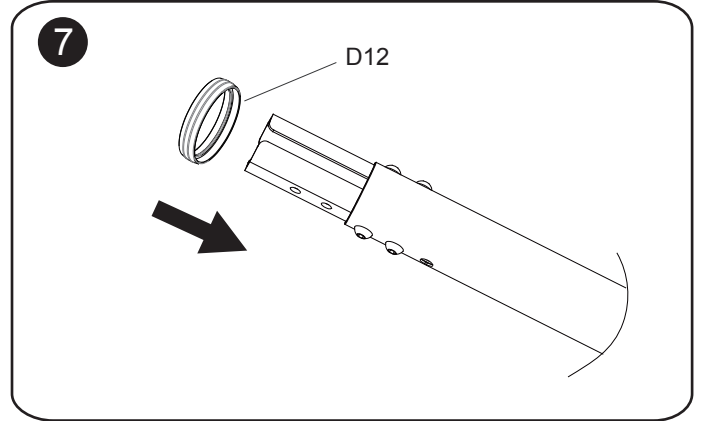
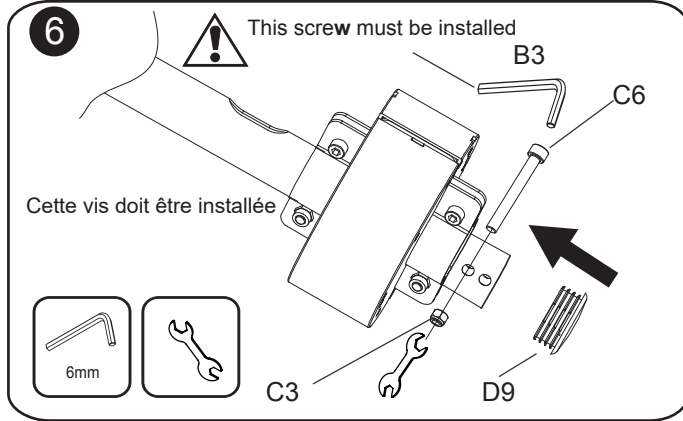
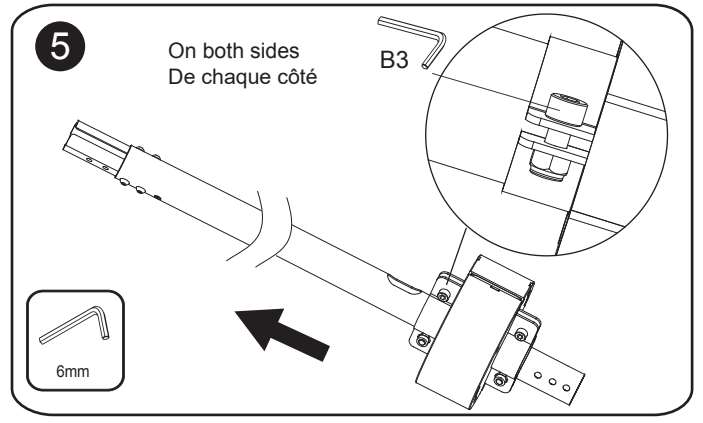
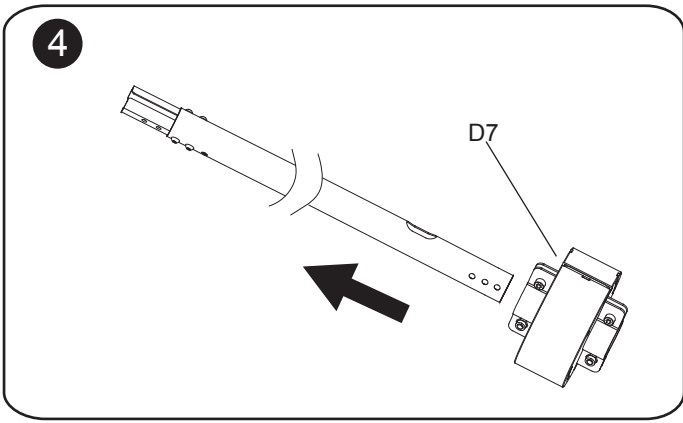
C7	C8
M6x85	Ø13XØ6.2X1.5
	
X6	X6

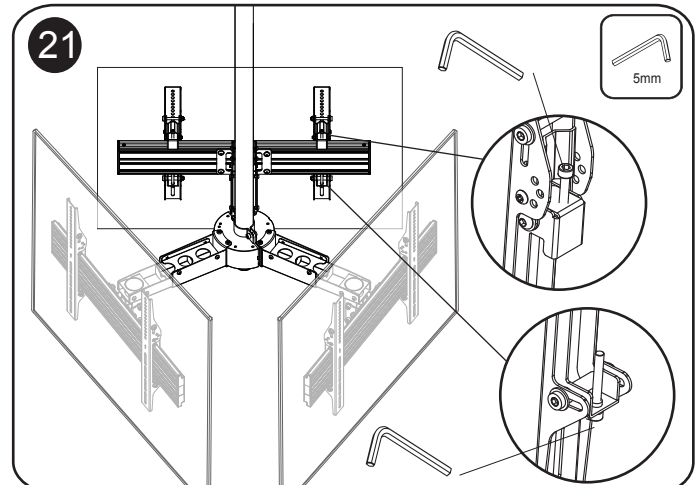
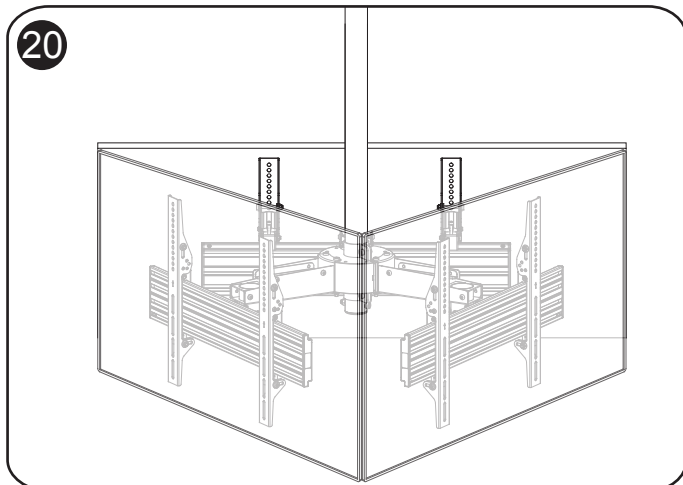
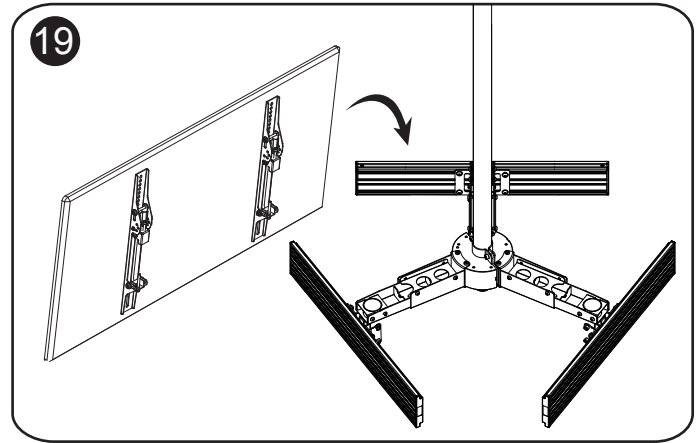
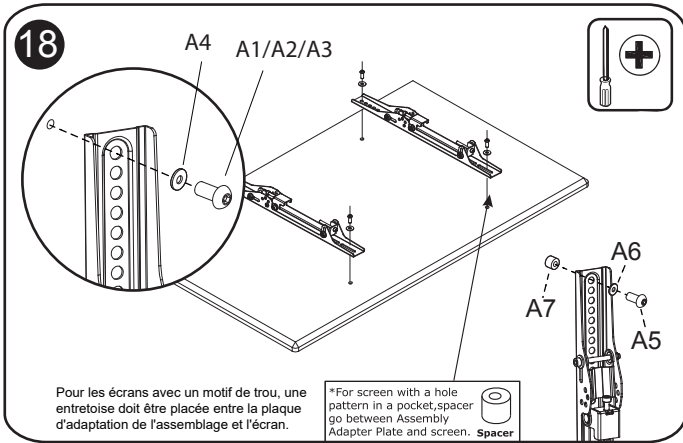
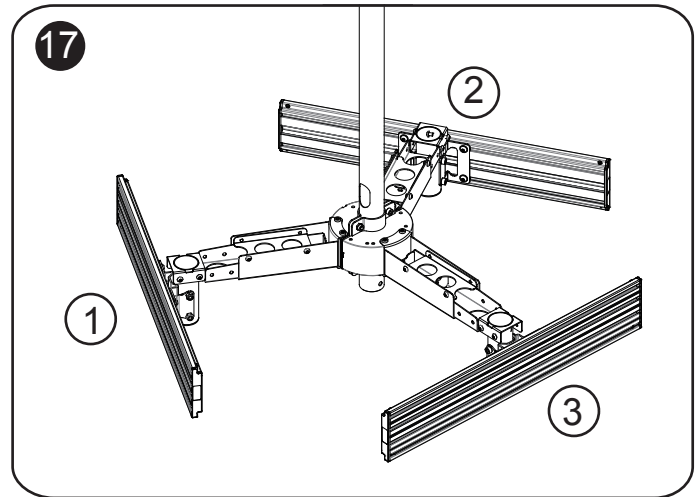
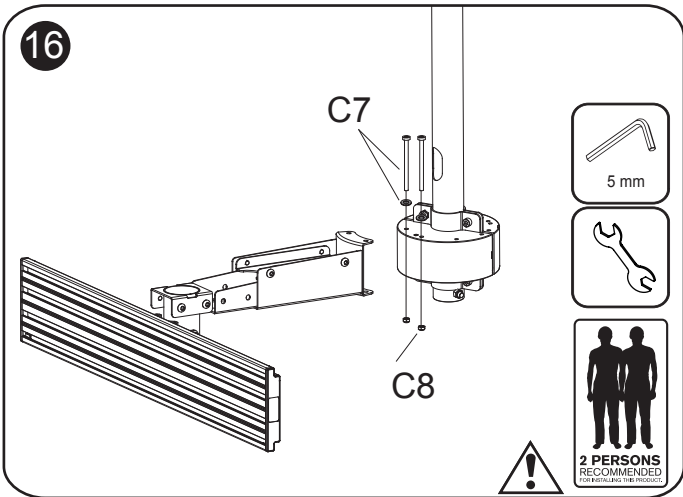
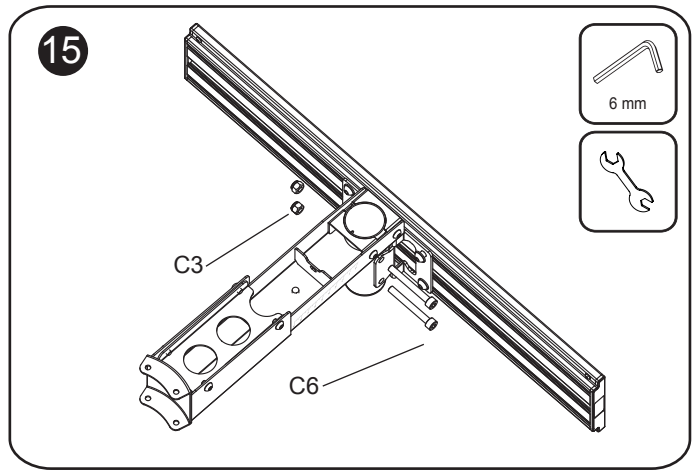
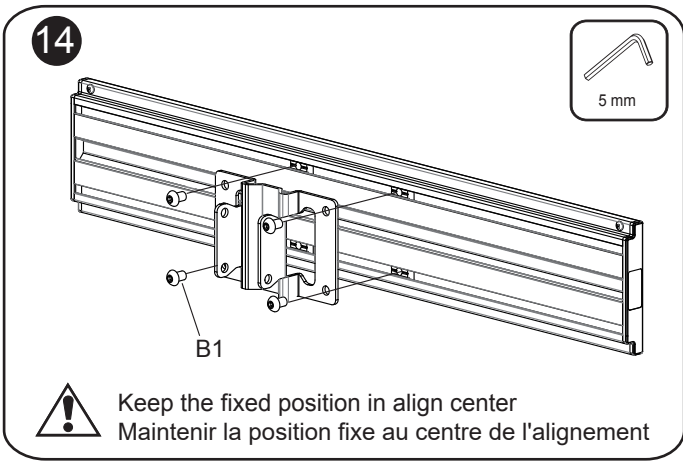
X1



Installation



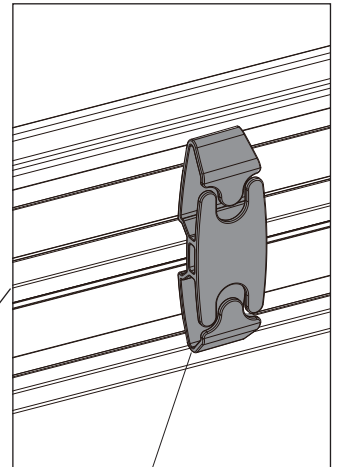




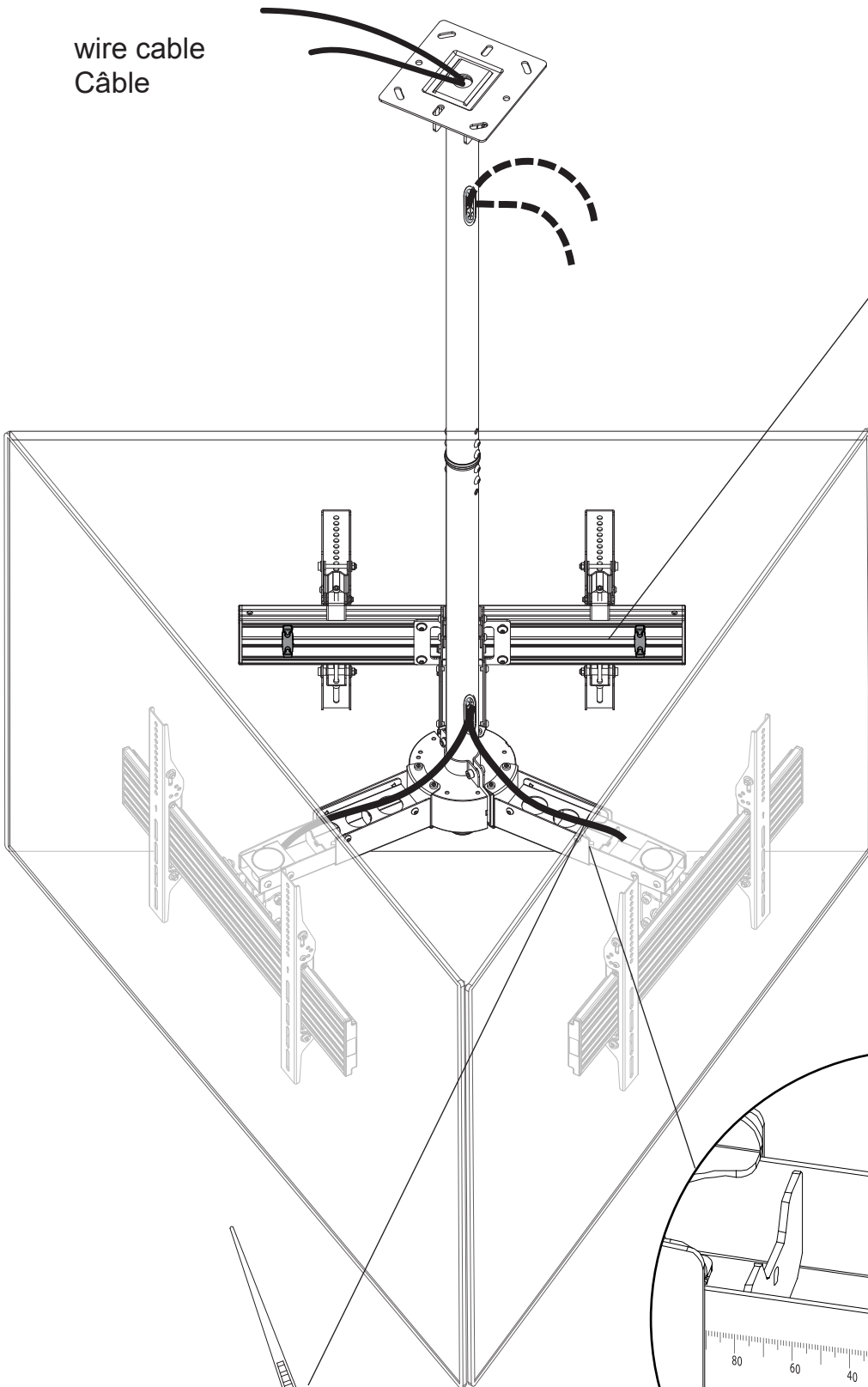
22

wire cable
Câble

Passes-câbles

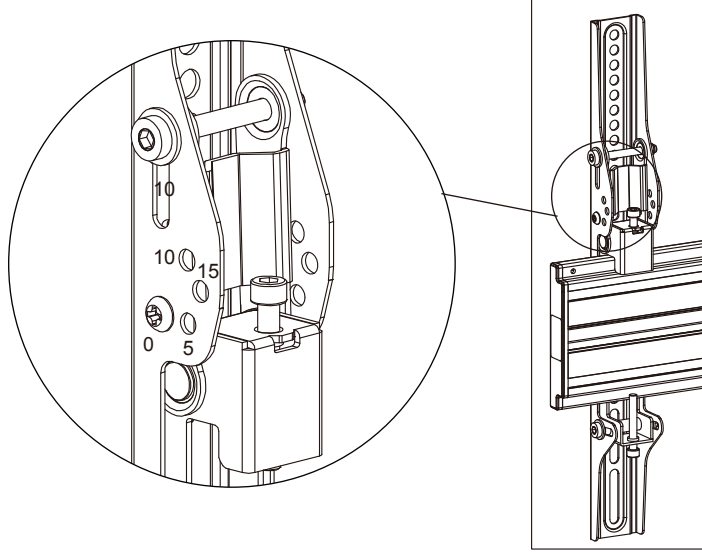


D11

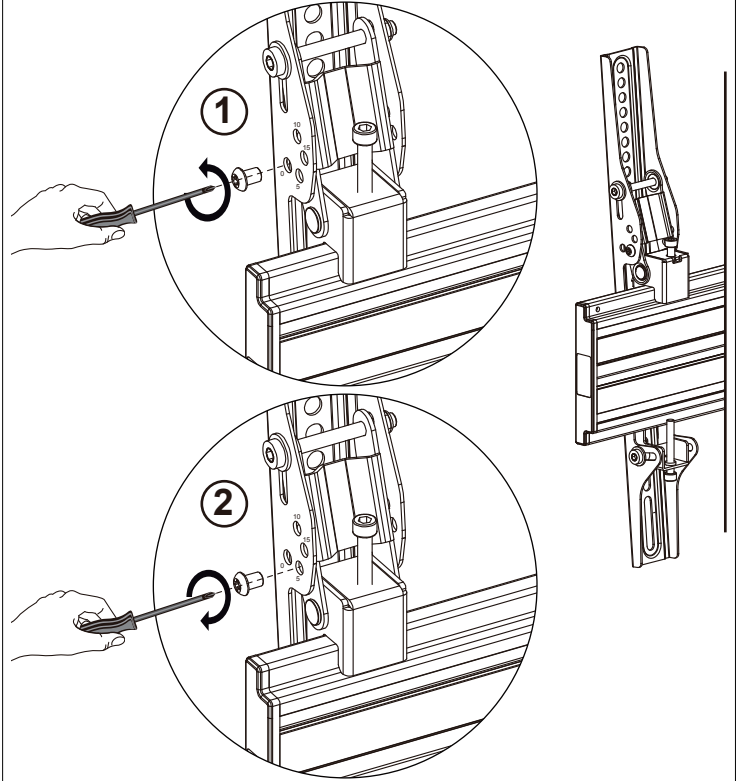


Cable ties
Serre-câbles

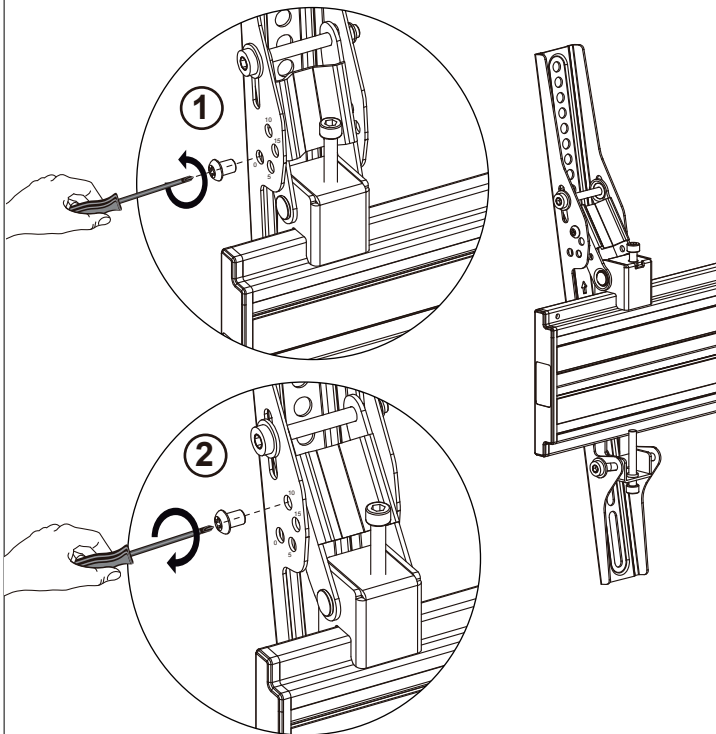
Tilt / Inclinaison 0°



Tilt / Inclinaison 5°



Tilt / Inclinaison 10°



Tilt / Inclinaison 15°

