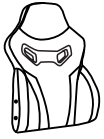


# ASSEMBLY INSTRUCTIONS

## Parts



1 Backrest



2 Seat



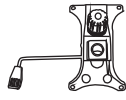
3 Base



4 Armrests x2



5 Gas lift



6 Control unit



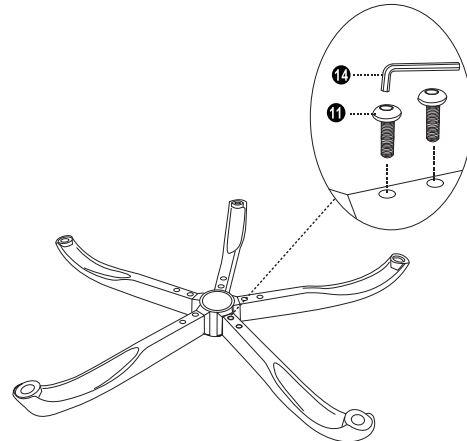
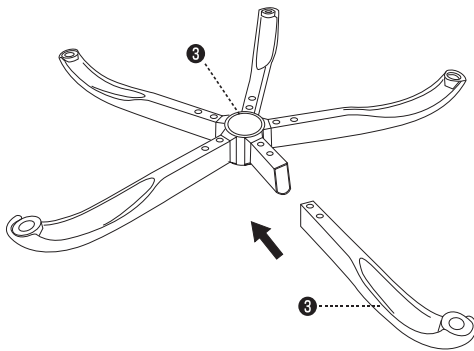
7 Gas lift cover



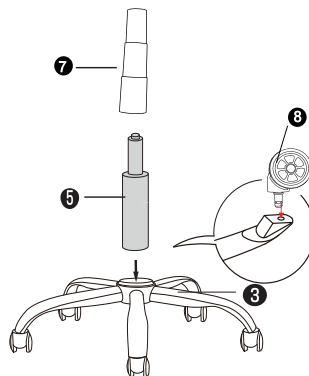
8 Casters x 5

	9	M6x25mm x8
	10	M6x20mm x4
	11	M6x10mm x10
	12	M6x18mm x4
	13	x8
	14	x1

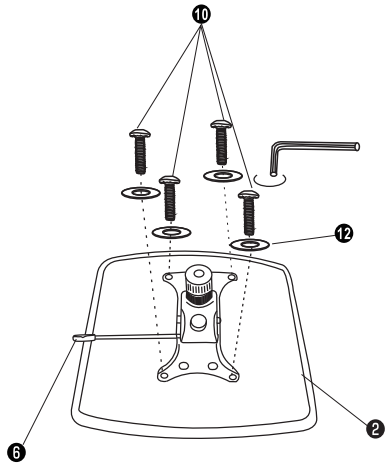
**1** Insert the legs into the base center and fix them with M6\*20 screws.



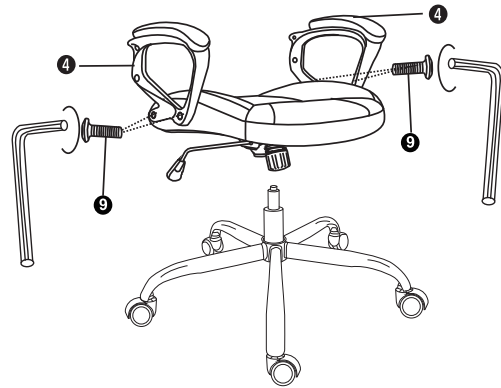
**2** Place the chair base upside down, install the caster wheels and the gas lift on the base.



**3** Fix the control unit to the base of the seat



**4** Insert the gas lift into the control unit and fix the bottom of the armrests (without tightening the screws)



**5** Fix the top of the armrests to the backrest and tighten all the screws



**6** Cover the screws with the black caps



**!** Only trained personnel may replace or repair seat height adjustment components with energy accumulators.

**CONTACT & SUPPORT**

  
**SUBSONIC**  
314, allée des noisetiers  
69760 Limonest - France  
contact@subsonic.com  
www.subsonic.com