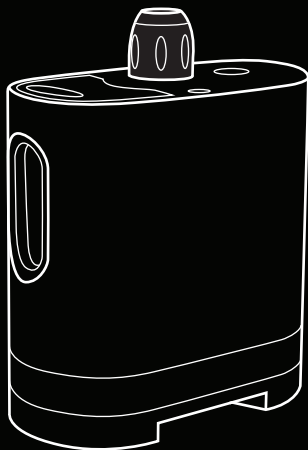
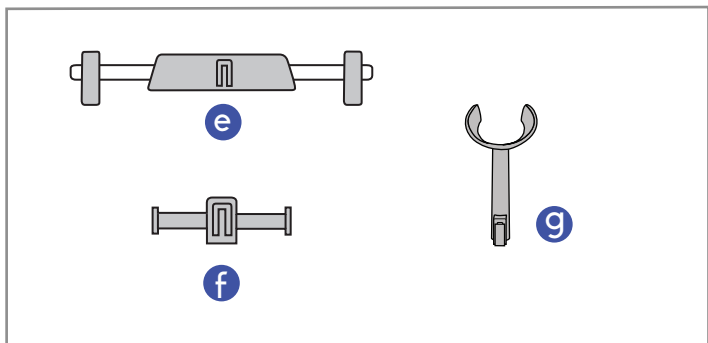
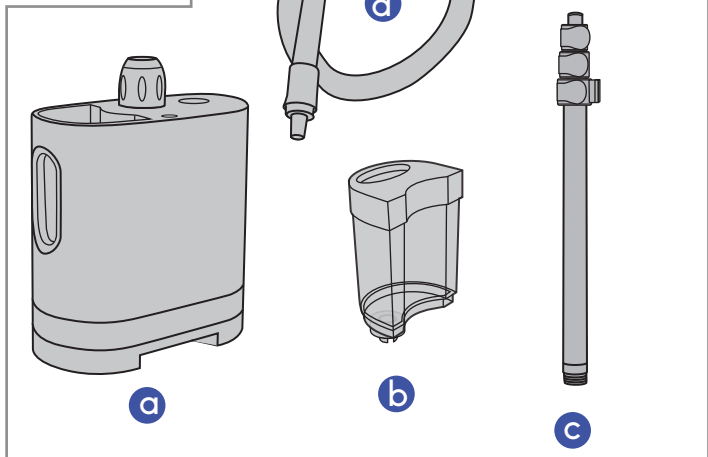


QUICK START



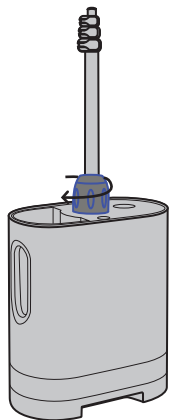
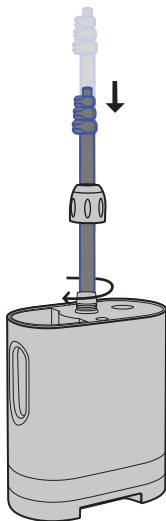
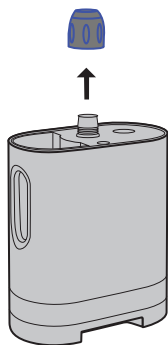
SteamOne



SteamOne

1

a + c



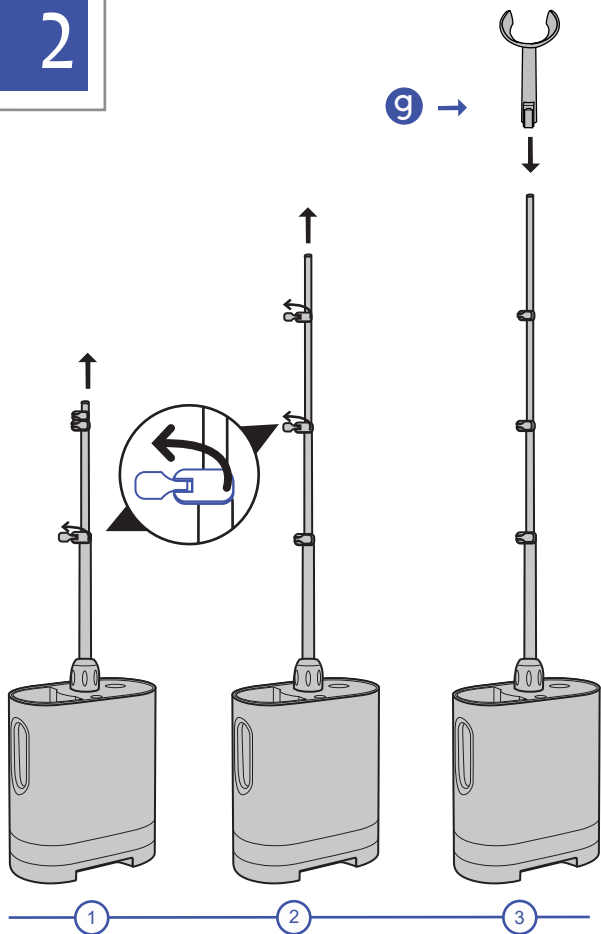
1

2

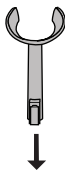
3

SteamOne

2

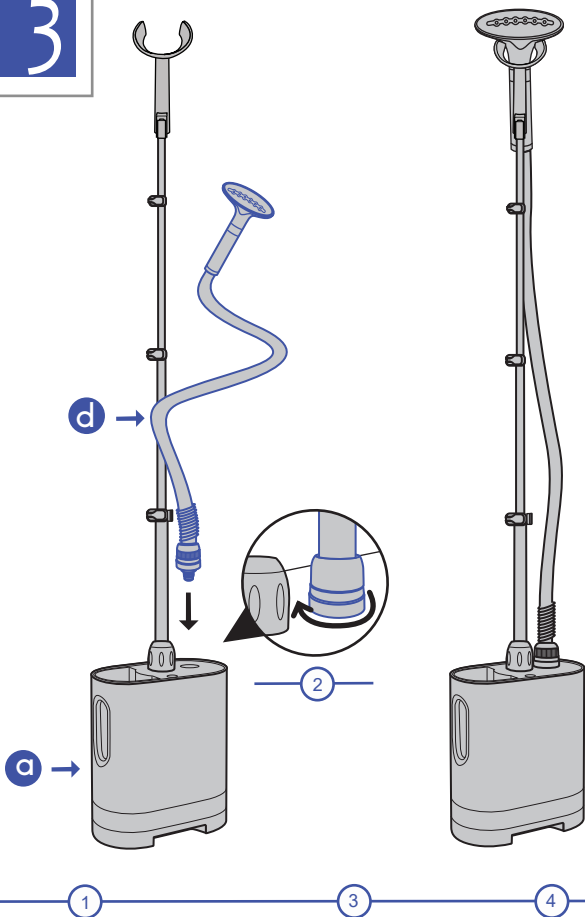


9 →



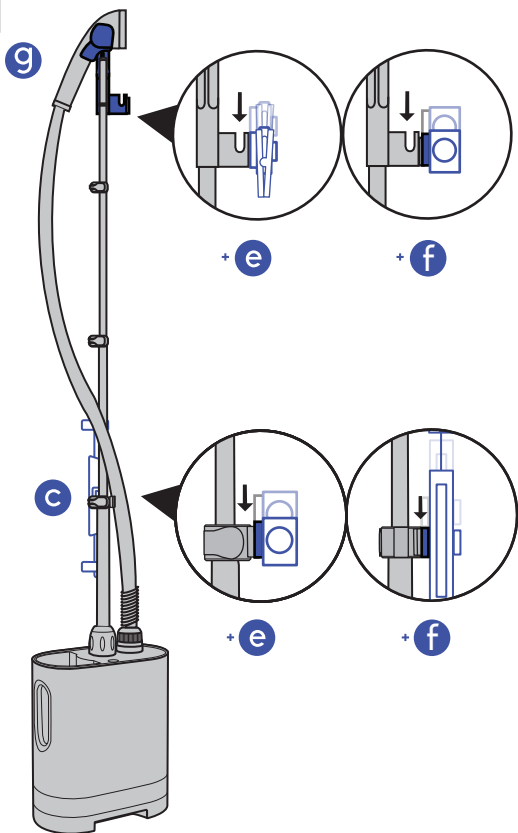
SteamOne

3

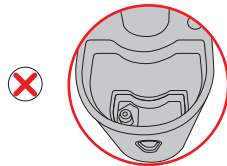
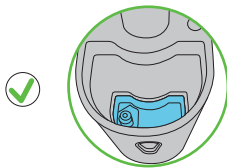
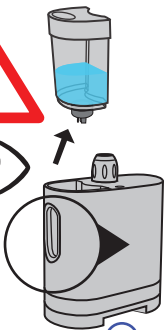
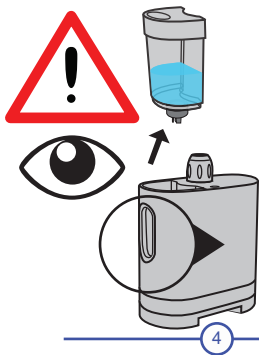
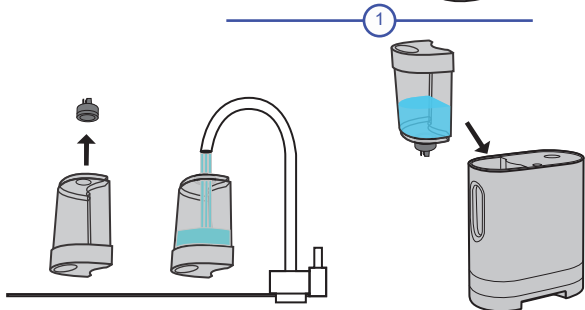
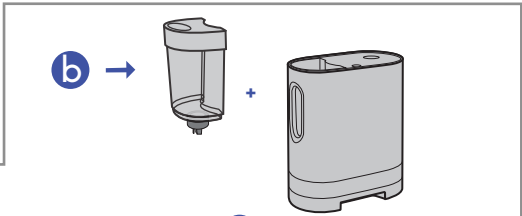


SteamOne

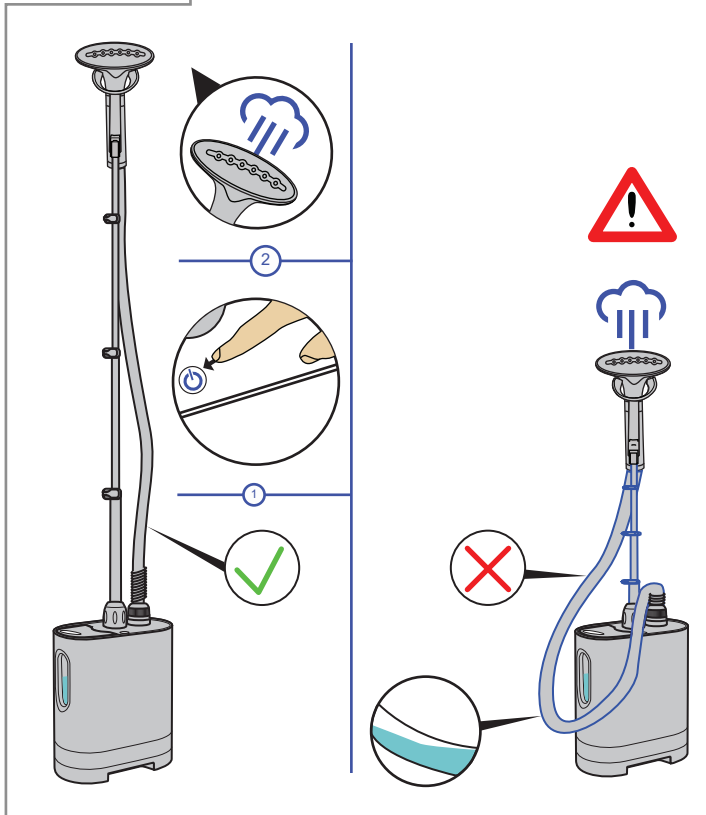
4



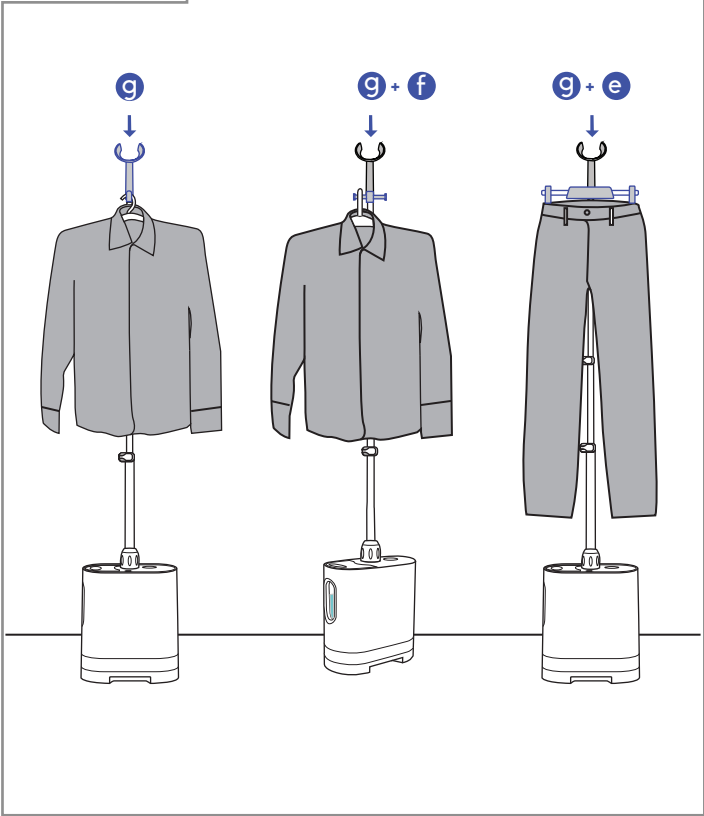
SteamOne



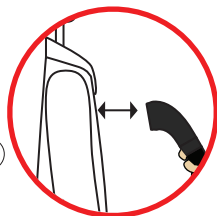
SteamOne



SteamOne



SteamOne



1

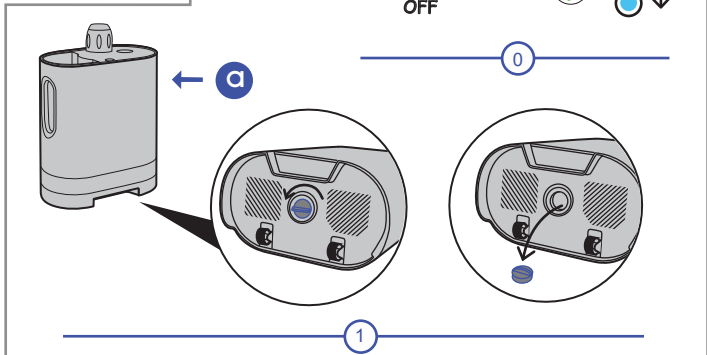
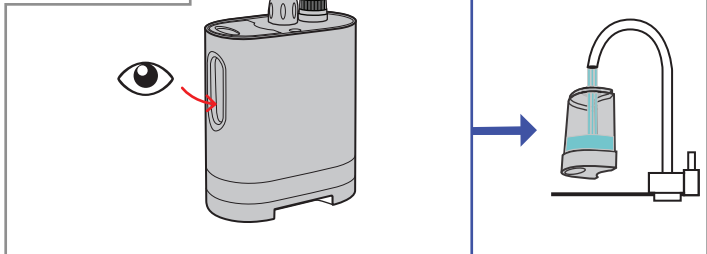


2

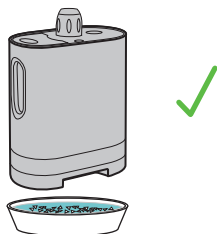
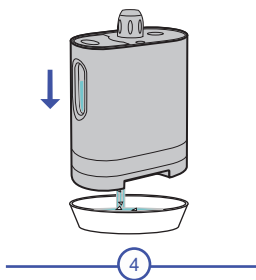
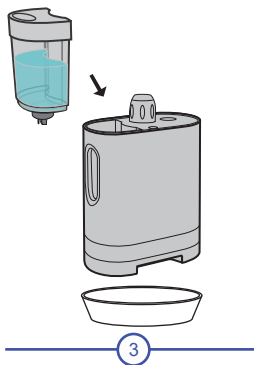
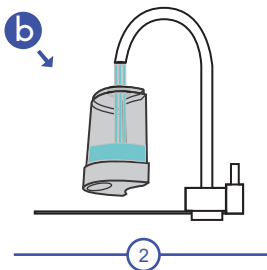


3

SteamOne



SteamOne



SteamOne

SteamOne

www.steam-one.com