

Expert en conception de produits ergonomiques pour les secteurs bureautique et gaming, OPLITE vous présente le Single Monitor Mount pour votre R8 Fury

R8 CPU Holder R8

Le "R8 CPU Holder R8" est un accessoire conçu initialement pour les joueurs sur PC. Il permet de supporter une unité centrale de taille moyenne, mesurant jusqu'à 600 mm de longueur par 280 mm de largeur, ou une console de jeux. Il se fixe facilement sur le R8 Single Monitor Mount ou votre R8 Single Monitor Stand. Cet accessoire est composé d'un plateau en acier E355 de 2 mm d'épaisseur et de deux sangles en nylon pour sécuriser solidement votre unité centrale ou votre console.

Points Forts

- Idéal pour compléter votre setup R8 FURY
 - Installation rapide & Ultra rigide
 - Nombreuses compatibilité d'unités centrales et de consoles
 - Compatible :
- > R8 SINGLE MONITOR MOUNT
 - > R8 SINGLE MONITOR STAND

Caractéristiques techniques

Cadre de réception :

- Structure en acier de type E355 de 2 mm d'épaisseur

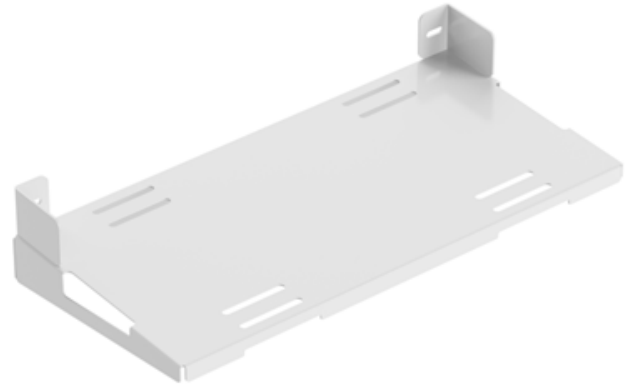
Fixation de l'unité centrale :

- par double sangles en nylon

Ecosystème :

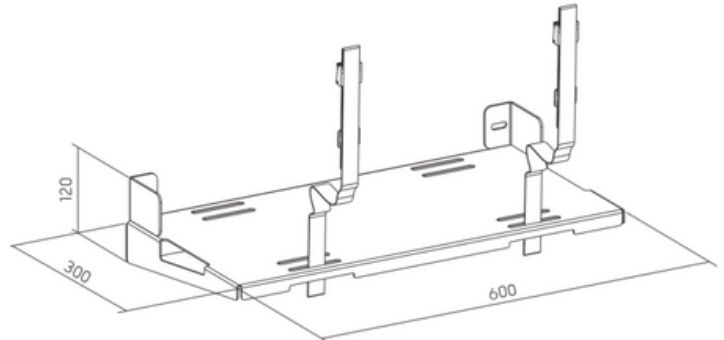
- Dès le lancement du R8 FURY, un large choix de produits OPLITE est disponible pour concevoir votre écosystème

RACING EXPERIENCE BY OPLITE



Compatibilité Unité Centrale

Informations	Données Techniques
DIMENSIONS PLATEAU	600mm x 300mm
POIDS MAXIMUM	30Kg



Ecosystème R8 Fury

OPLITE Item No.	Commercial Name	GTIN
OP-R8-CHB	CHASSIS COCKPIT R8 FURY BLACK	3770031134445
OP-R8-CHW	CHASSIS COCKPIT R8 FURY WHITE	3770031134452
OP-R8-B	COCKPIT R8 FURY BLACK	3770031134438
OP-R8-W	COCKPIT R8 FURY WHITE	3770031134421
OP-R8-HBB	R8 GEAR SHIFT HANDBRAKE HOLDER BLACK	3770031134414
OP-R8-HBW	R8 GEAR SHIFT HANDBRAKE HOLDER WHITE	3770031134407
OP-R8-CW	R8 SUPREME CASTOR WHEEL	3770031134391
OP-R8-MKTB	R8 KEYBOARD & MOUSE TRAY	3770031134377
OP-R8-MKTW	R8 KEYBOARD & MOUSE TRAY	3770031134544
OP-R8-CPUHB	R8 CPU HOLDER R8 BLACK	3770031134360
OP-R8-CPUHW	R8 CPU HOLDER R8 WHITE	3770031134551
OP-R8-SMMB	R8 SINGLE MONITOR MOUNT BLACK	3770031134384
OP-R8-SMMW	R8 SINGLE MONITOR MOUNT WHITE	3770031134353
OP-R8-SMSB	R8 SINGLE MONITOR STAND BLACK	3770031134346
OP-R8-ETSM	R8 EXTENSIONS TRIPLE SCREEN MOUNT	3770031134339
OP-R8-4MMB	R8 ON TOP MONITOR MOUNT BLACK	3770031134322
OP-R8-4MMW	R8 ON TOP MONITOR MOUNT WHITE	3770031134568

Experts in the design of ergonomic products for the office and gaming sectors, OPLITE presents the Single Monitor Mount for your R8 Fury.

R8 CPU Holder R8

The R8 CPU Holder is an accessory designed initially for PC gamers. It supports a medium-sized CPU, measuring up to 600 mm long by 280 mm wide, or a games console. It attaches easily to the R8 Single Monitor Mount or your R8 Single Monitor Stand. This accessory consists of a 2 mm thick E355 steel plate and two nylon straps to securely hold your CPU or console.

Key points

- Ideal for completing your R8 FURY setup
- Quick installation & Ultra rigid
- Compatible with a wide range of CPUs and consoles
- Compatible :

- > R8 SINGLE MONITOR MOUNT
- > R8 SINGLE MONITOR STAND

Technical data

Receiving frame :

- Steel structure type E355, 2 mm thick

Central unit mounting :

- with double nylon straps

Ecosystem:

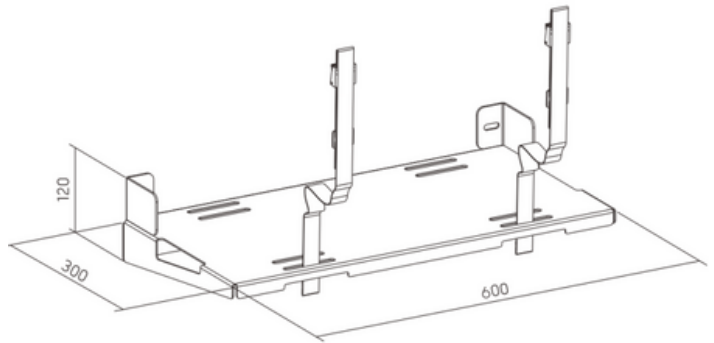
- From the launch of the R8 FURY, a wide choice of OPLITE products is available to design your ecosystem

RACING EXPERIENCE BY OPLITE



CPU compatibility

Information	Technical data
TRAY DIMENSIONS	600mm x 300mm
MAXIMUM WEIGHT	30Kg



R8 Fury Ecosystem

OPLITE Item No.	Commercial Name	GTIN
OP-R8-CHB	CHASSIS COCKPIT R8 FURY BLACK	3770031134445
OP-R8-CHW	CHASSIS COCKPIT R8 FURY WHITE	3770031134452
OP-R8-B	COCKPIT R8 FURY BLACK	3770031134438
OP-R8-W	COCKPIT R8 FURY WHITE	3770031134421
OP-R8-HBB	R8 GEAR SHIFT HANDBRAKE HOLDER BLACK	3770031134414
OP-R8-HBW	R8 GEAR SHIFT HANDBRAKE HOLDER WHITE	3770031134407
OP-R8-CW	R8 SUPREME CASTOR WHEEL	3770031134391
OP-R8-MKTB	R8 KEYBOARD & MOUSE TRAY	3770031134377
OP-R8-MKTW	R8 KEYBOARD & MOUSE TRAY	3770031134544
OP-R8-CPUHB	R8 CPU HOLDER R8 BLACK	3770031134360
OP-R8-CPUHW	R8 CPU HOLDER R8 WHITE	3770031134551
OP-R8-SMMB	R8 SINGLE MONITOR MOUNT BLACK	3770031134384
OP-R8-SMMW	R8 SINGLE MONITOR MOUNT WHITE	3770031134353
OP-R8-SMSB	R8 SINGLE MONITOR STAND BLACK	3770031134346
OP-R8-ETSM	R8 EXTENSIONS TRIPLE SCREEN MOUNT	3770031134339
OP-R8-4MMB	R8 ON TOP MONITOR MOUNT BLACK	3770031134322
OP-R8-4MMW	R8 ON TOP MONITOR MOUNT WHITE	3770031134568

Als Experte für die Entwicklung ergonomischer Produkte für den Büro- und Gaming-Bereich präsentiert OPLITE den Single Monitor Mount für Ihren R8 Fury.

R8 CPU Holder R8

Der „R8 CPU Holder R8“ ist ein Zubehör, das ursprünglich für PC-Spieler entwickelt wurde. Er kann eine mittelgroße CPU mit einer Länge von bis zu 600 mm und einer Breite von bis zu 280 mm oder eine Spielkonsole halten. Es lässt sich einfach an der R8 Single Monitor Mount oder Ihrem R8 Single Monitor Stand befestigen. Dieses Zubehör besteht aus einer 2 mm dicken Stahlplatte aus E355 und zwei Nylongurten, mit denen Sie Ihre Zentraleinheit oder Konsole sicher befestigen können.

Stärken

- Ideal, um Ihr R8 FURY Setup zu vervollständigen.
 - Schnelle Installation & Ultra steif
 - Zahlreiche Kompatibilitäten von CPUs und Konsolen.
 - Kompatibel mit:
- > R8 SINGLE MONITOR MOUNT
> R8 SINGLE MONITOR STAND

Technische Daten

Aufnahmerahmen :

- Stahlkonstruktion des Typs E355 mit einer Dicke von 2 mm.

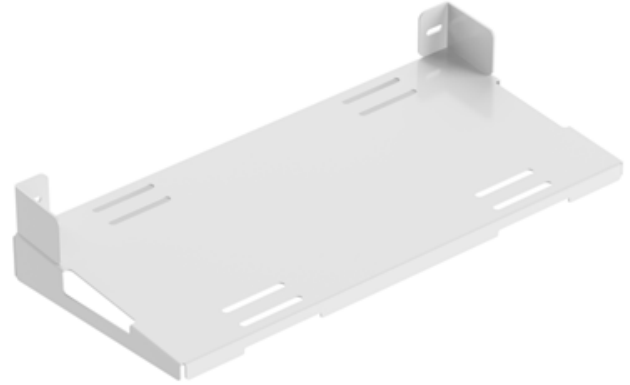
Befestigung der Zentraleinheit :

- Durch doppelte Nylongurte

Ökosystem:

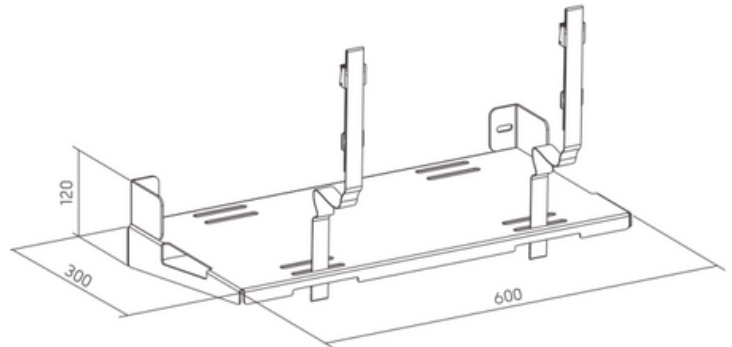
- Ab der Markteinführung des R8 FURY steht eine große Auswahl an OPLITE-Produkten zur Verfügung, um Ihr Ökosystem zu gestalten.

RACING EXPERIENCE BY OPLITE



Kompatibilität Zentraleinheit

Informationen	Technische Daten
TABLETTMASSE	600mm x 300mm
MAXIMALES GEWICHT	30Kg



Ökosystem R8 Fury

OPLITE Item No.	Commercial Name	GTIN
OP-R8-CHB	CHASSIS COCKPIT R8 FURY BLACK	3770031134445
OP-R8-CHW	CHASSIS COCKPIT R8 FURY WHITE	3770031134452
OP-R8-B	COCKPIT R8 FURY BLACK	3770031134438
OP-R8-W	COCKPIT R8 FURY WHITE	3770031134421
OP-R8-HBB	R8 GEAR SHIFT HANDBRAKE HOLDER BLACK	3770031134414
OP-R8-HBW	R8 GEAR SHIFT HANDBRAKE HOLDER WHITE	3770031134407
OP-R8-CW	R8 SUPREME CASTOR WHEEL	3770031134391
OP-R8-MKTB	R8 KEYBOARD & MOUSE TRAY	3770031134377
OP-R8-MKTW	R8 KEYBOARD & MOUSE TRAY	3770031134544
OP-R8-CPUHB	R8 CPU HOLDER R8 BLACK	3770031134360
OP-R8-CPUHW	R8 CPU HOLDER R8 WHITE	3770031134551
OP-R8-SMMB	R8 SINGLE MONITOR MOUNT BLACK	3770031134384
OP-R8-SMMW	R8 SINGLE MONITOR MOUNT WHITE	3770031134353
OP-R8-SMSB	R8 SINGLE MONITOR STAND BLACK	3770031134346
OP-R8-ETSM	R8 EXTENSIONS TRIPLE SCREEN MOUNT	3770031134339
OP-R8-4MMB	R8 ON TOP MONITOR MOUNT BLACK	3770031134322
OP-R8-4MMW	R8 ON TOP MONITOR MOUNT WHITE	3770031134568

Esperti nella progettazione di prodotti ergonomici per l'ufficio e il gioco, OPLITE presenta il supporto per monitor singolo per il vostro R8 Fury.

R8 CPU Holder R8

Il supporto per CPU R8 è un accessorio progettato inizialmente per i giocatori di PC. Supporta una CPU di medie dimensioni, fino a 600 mm di lunghezza e 280 mm di larghezza, o una console di gioco. Si fissa facilmente al supporto per monitor singolo R8 o al supporto per monitor singolo R8. L'accessorio è costituito da una piastra in acciaio E355 di 2 mm di spessore e da due cinghie in nylon che fissano saldamente la CPU o la console.

Punti salienti

- Ideale per completare l'allestimento della R8 FURY
 - Installazione rapida e ultra rigida
 - Compatibile con un'ampia gamma di CPU e console
 - Compatibile :
- > SUPPORTO PER MONITOR SINGOLO R8
> SUPPORTO PER MONITOR SINGOLO R8

Caratteristiche tecniche

Telaio di ricezione :

- Struttura in acciaio tipo E355, spessore 2 mm

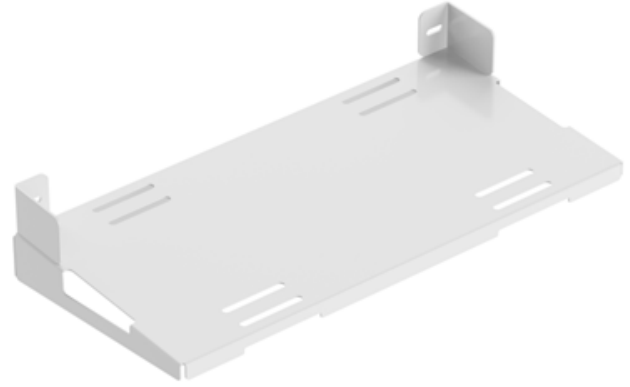
Fissaggio dell'unità centrale :

- con doppie cinghie di nylon

Ecosistema:

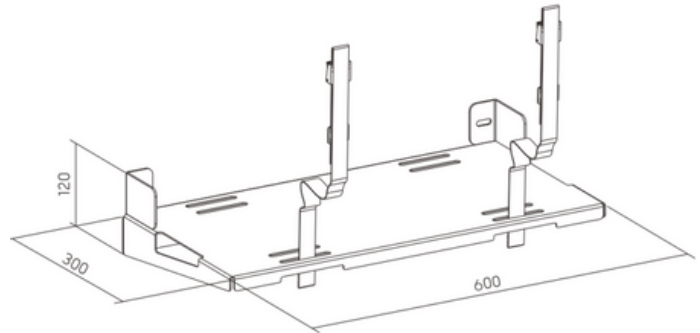
- Dal lancio dell'R8 FURY, è disponibile un'ampia scelta di prodotti OPLITE per progettare il vostro ecosistema.

RACING EXPERIENCE BY OPLITE



Compatibilità con l'unità centrale

Informazioni	Dati tecnici
DIMENSIONI DEL VASSOIO	600mm x 300mm
PESO MASSIMO	30Kg



Ecosistema R8 Fury

OPLITE Item No.	Commercial Name	GTIN
OP-R8-CHB	CHASSIS COCKPIT R8 FURY BLACK	3770031134445
OP-R8-CHW	CHASSIS COCKPIT R8 FURY WHITE	3770031134452
OP-R8-B	COCKPIT R8 FURY BLACK	3770031134438
OP-R8-W	COCKPIT R8 FURY WHITE	3770031134421
OP-R8-HBB	R8 GEAR SHIFT HANDBRAKE HOLDER BLACK	3770031134414
OP-R8-HBW	R8 GEAR SHIFT HANDBRAKE HOLDER WHITE	3770031134407
OP-R8-CW	R8 SUPREME CASTOR WHEEL	3770031134391
OP-R8-MKTB	R8 KEYBOARD & MOUSE TRAY	3770031134377
OP-R8-MKTW	R8 KEYBOARD & MOUSE TRAY	3770031134544
OP-R8-CPUHB	R8 CPU HOLDER R8 BLACK	3770031134360
OP-R8-CPUHW	R8 CPU HOLDER R8 WHITE	3770031134551
OP-R8-SMMB	R8 SINGLE MONITOR MOUNT BLACK	3770031134384
OP-R8-SMMW	R8 SINGLE MONITOR MOUNT WHITE	3770031134353
OP-R8-SMSB	R8 SINGLE MONITOR STAND BLACK	3770031134346
OP-R8-ETSM	R8 EXTENSIONS TRIPLE SCREEN MOUNT	3770031134339
OP-R8-4MMB	R8 ON TOP MONITOR MOUNT BLACK	3770031134322
OP-R8-4MMW	R8 ON TOP MONITOR MOUNT WHITE	3770031134568

Expertos en el diseño de productos ergonómicos para los sectores de la oficina y los juegos, OPLITE presenta el soporte de monitor único para su R8 Fury.

R8 CPU Holder R8

El soporte para CPU R8 es un accesorio diseñado inicialmente para jugadores de PC. Admite una CPU de tamaño medio, de hasta 600 mm de largo por 280 mm de ancho, o una consola de juegos. Se acopla fácilmente al soporte para un solo monitor R8 o al soporte para un solo monitor R8.

Este accesorio consta de una placa de acero E355 de 2 mm de grosor y dos correas de nailon para sujetar con seguridad la CPU o la consola.

Puntos Fuertes

- Ideal para completar la configuración de su R8 FURY
 - Instalación rápida y ultra rígida
 - Compatible con una amplia gama de CPUs y consolas
 - Compatible :
- > SOPORTE PARA UN MONITOR R8
> SOPORTE DE MONITOR ÚNICO R8

Características técnicas

Bastidor de recepción :

- Estructura de acero tipo E355, 2 mm de espesor

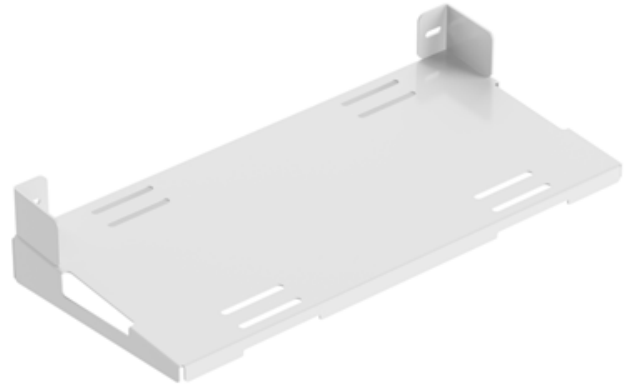
Fijación de la unidad central :

- con correas dobles de nylon

Ecosistema:

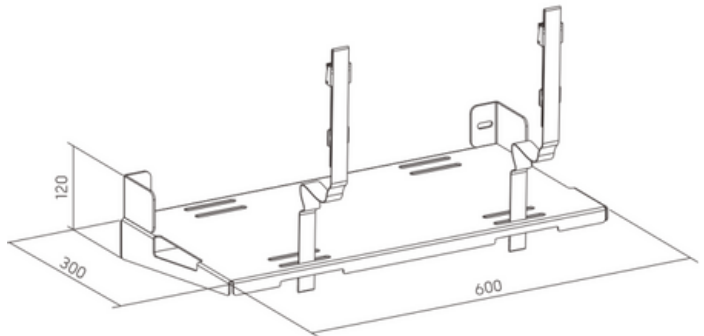
- Desde el lanzamiento del R8 FURY, una amplia gama de productos OPLITE está disponible para diseñar su ecosistema

RACING EXPERIENCE BY OPLITE



Compatibilidad de la unidad central

Información	Datos técnicos
DIMENSIONES DE LA BANDEJA	600mm x 300mm
PESO MÁXIMO	30Kg



Ecosistema R8 Fury

OPLITE Item No.	Commercial Name	GTIN
OP-R8-CHB	CHASSIS COCKPIT R8 FURY BLACK	3770031134445
OP-R8-CHW	CHASSIS COCKPIT R8 FURY WHITE	3770031134452
OP-R8-B	COCKPIT R8 FURY BLACK	3770031134438
OP-R8-W	COCKPIT R8 FURY WHITE	3770031134421
OP-R8-HBB	R8 GEAR SHIFT HANDBRAKE HOLDER BLACK	3770031134414
OP-R8-HBW	R8 GEAR SHIFT HANDBRAKE HOLDER WHITE	3770031134407
OP-R8-CW	R8 SUPREME CASTOR WHEEL	3770031134391
OP-R8-MKTB	R8 KEYBOARD & MOUSE TRAY	3770031134377
OP-R8-MKTW	R8 KEYBOARD & MOUSE TRAY	3770031134544
OP-R8-CPUHB	R8 CPU HOLDER R8 BLACK	3770031134360
OP-R8-CPUHW	R8 CPU HOLDER R8 WHITE	3770031134551
OP-R8-SMMB	R8 SINGLE MONITOR MOUNT BLACK	3770031134384
OP-R8-SMMW	R8 SINGLE MONITOR MOUNT WHITE	3770031134353
OP-R8-SMSB	R8 SINGLE MONITOR STAND BLACK	3770031134346
OP-R8-ETSM	R8 EXTENSIONS TRIPLE SCREEN MOUNT	3770031134339
OP-R8-4MMB	R8 ON TOP MONITOR MOUNT BLACK	3770031134322
OP-R8-4MMW	R8 ON TOP MONITOR MOUNT WHITE	3770031134568

OPLITE, expert in het ontwerpen van ergonomische producten voor kantoor en gaming, presenteert de Single Monitor Mount voor je R8 Fury.

R8 CPU Holder R8

De R8 CPU-houder is een accessoire dat in eerste instantie is ontworpen voor pc-gamers. Hij ondersteunt een middelgrote CPU van maximaal 600 mm lang en 280 mm breed, of een gameconsole. Hij kan eenvoudig worden bevestigd aan de R8 Single Monitor Mount of je R8 Single Monitor Stand. Dit accessoire bestaat uit een 2 mm dikke E355 stalen plaat en twee nylon riemen om je CPU of console stevig vast te zetten.

Sterke punten

- Ideaal om je R8 FURY setup compleet te maken
 - Snelle installatie & ultrastijf
 - Compatibel met een groot aantal CPU's en consoles
 - Compatibel :
- > R8 ENKELE MONITOR MOUNT
> R8 ENKELE MONITOR STANDAARD

Technische specificaties

Het ontvangen van kader:

- Staalconstructie type E355, 2 mm dik

Centrale eenheid bevestiging :

- met dubbele nylon riemen

Ecosysteem:

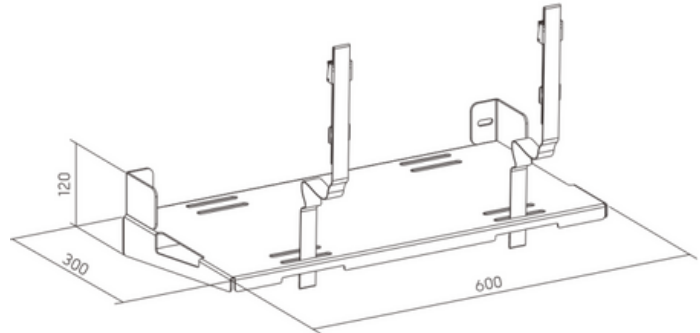
- Vanaf de lancering van de R8 FURY is er een ruime keuze aan OPLITE producten beschikbaar om uw ecosysteem vorm te geven.

RACING EXPERIENCE BY OPLITE



Compatibiliteit centrale eenheid

Informatie	Technische gegevens
AFMETINGEN DIENBLAD	600mm x 300mm
MAXIMAAL GEWICHT	30Kg



Ecosysteem R8 Fury

OPLITE Item No.	Commercial Name	GTIN
OP-R8-CHB	CHASSIS COCKPIT R8 FURY BLACK	3770031134445
OP-R8-CHW	CHASSIS COCKPIT R8 FURY WHITE	3770031134452
OP-R8-B	COCKPIT R8 FURY BLACK	3770031134438
OP-R8-W	COCKPIT R8 FURY WHITE	3770031134421
OP-R8-HBB	R8 GEAR SHIFT HANDBRAKE HOLDER BLACK	3770031134414
OP-R8-HBW	R8 GEAR SHIFT HANDBRAKE HOLDER WHITE	3770031134407
OP-R8-CW	R8 SUPREME CASTOR WHEEL	3770031134391
OP-R8-MKTB	R8 KEYBOARD & MOUSE TRAY	3770031134377
OP-R8-MKTW	R8 KEYBOARD & MOUSE TRAY	3770031134544
OP-R8-CPUHB	R8 CPU HOLDER R8 BLACK	3770031134360
OP-R8-CPUHW	R8 CPU HOLDER R8 WHITE	3770031134551
OP-R8-SMMB	R8 SINGLE MONITOR MOUNT BLACK	3770031134384
OP-R8-SMMW	R8 SINGLE MONITOR MOUNT WHITE	3770031134353
OP-R8-SMSB	R8 SINGLE MONITOR STAND BLACK	3770031134346
OP-R8-ETSM	R8 EXTENSIONS TRIPLE SCREEN MOUNT	3770031134339
OP-R8-4MMB	R8 ON TOP MONITOR MOUNT BLACK	3770031134322
OP-R8-4MMW	R8 ON TOP MONITOR MOUNT WHITE	3770031134568