



**HONEYCOMB®**  
AERONAUTICAL

---

**CHARLIE RUDDER PEDALS™**  
WITH ADJUSTABLE TENSION

MANUAL  
GUIDE D'UTILISATION  
MANUALES  
HANDBUCH  
MANUALE

TECH SUPPORT / SUPPORT TECHNIQUE / SOPORTE TÉCNICO  
TECHNISCHER SUPPORT / SUPPORTO TECNICO

**HONEYCOMB AERONAUTICAL**

**Honeycomb Aeronautical Americas**

support@flyhoneycomb.com

**Aerosoft GmbH**

+49 (0) 2955 76 03 10

info@aerosoft.de

<https://helpdesk.aerosoft.com/hc/de>

support.de@flyhoneycomb.com

IN THE BOX / DANS LA BOX / EN EL CUADRO  
IM LIEFERUMFANG ENTHALTEN / NEL BOX

IN THE BOX



---

1 x Charlie Rudder Pedals™  
1 x 1.5 m USB 2.0 (Type-A to Type-C) cable  
1 x Allen key (3 mm)

GETTING STARTED / DÉMARRAGE / CÓMO EMPEZAR  
ERSTE SCHRITTE / INIZIARE A LAVORARE

## GETTING STARTED

The Charlie Rudder Pedals is the last piece to complete the full Honeycomb Flight Simulation Setup. Produced to bring realistic rudder controls.

---

Les Charlie Rudder Pedals sont l'accessoire parfait pour compléter le setup de simulation de vol Honeycomb. Conçues pour permettre un contrôle réaliste des gouvernes.

---

Los Charlie Rudder Pedals son el accesorio perfecto para completar la configuración de simulación de vuelo Honeycomb. Diseñados para proporcionar un control realista del timón.

---

Die Charlie Rudder Pedals sind das perfekte Zubehör um das Honeycomb Flugsimulation Setup zu vervollständigen. Entwickelt, um eine realistische Rudersteuerung zu ermöglichen.

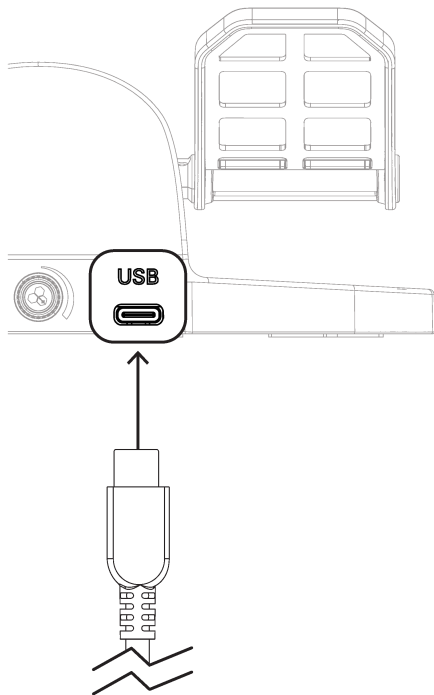
---

I Charlie Rudder Pedals sono l'accessorio perfetto per completare la configurazione di simulazione di volo Honeycomb. Progettati per fornire un controllo realistico del timone.

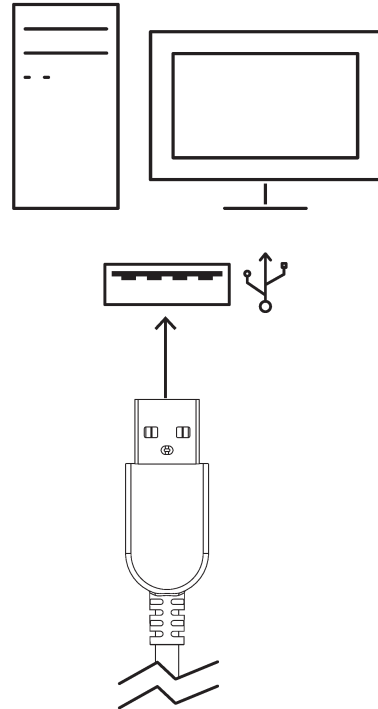
CONNECT / CONNECTER / CONECTAR  
VERBINDEN / COLLEGARE

CONNECT

1.

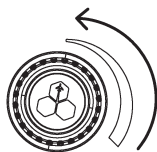
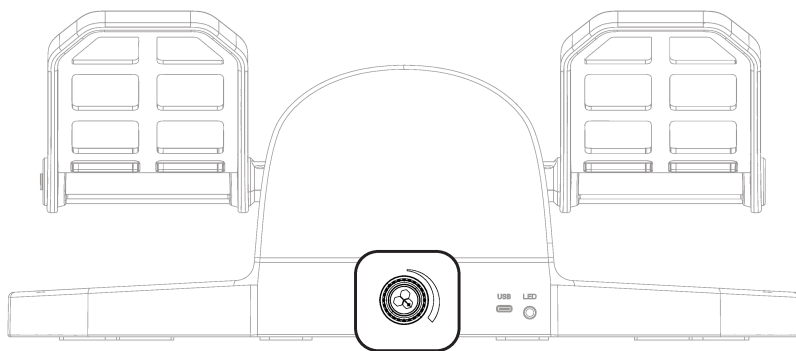


2.



ADJUST TENSION / AJUSTER LA TENSION  
AJUSTAR TENSIÓN / SPANNUNG ANPASSEN  
REGOLARE LA TENSIONE

## ADJUST TENSION



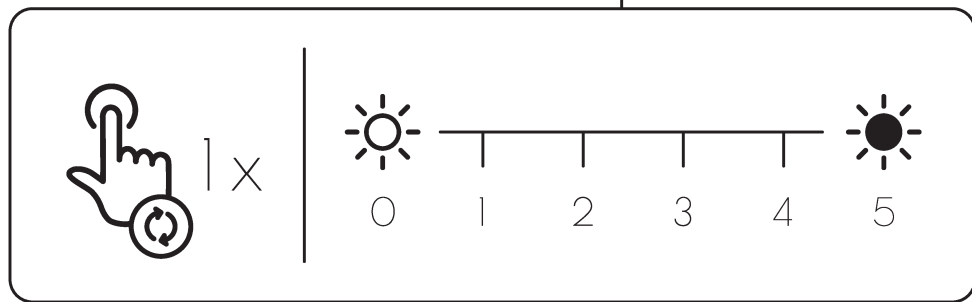
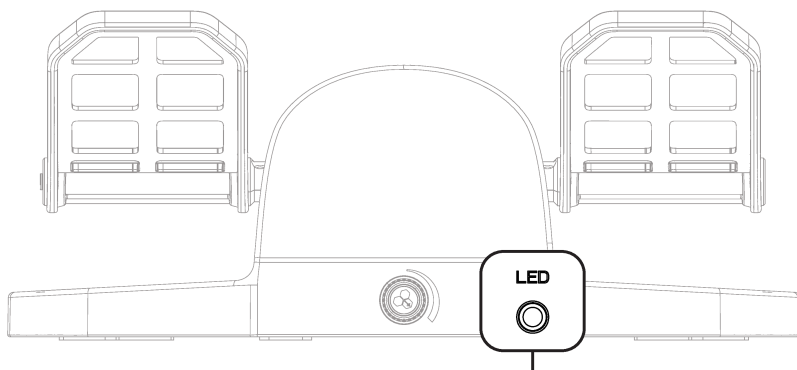
Loose · Décontracté  
Suelto · Locker · Sciolto



Tight · Ferme  
Firme · Fest · Stretto

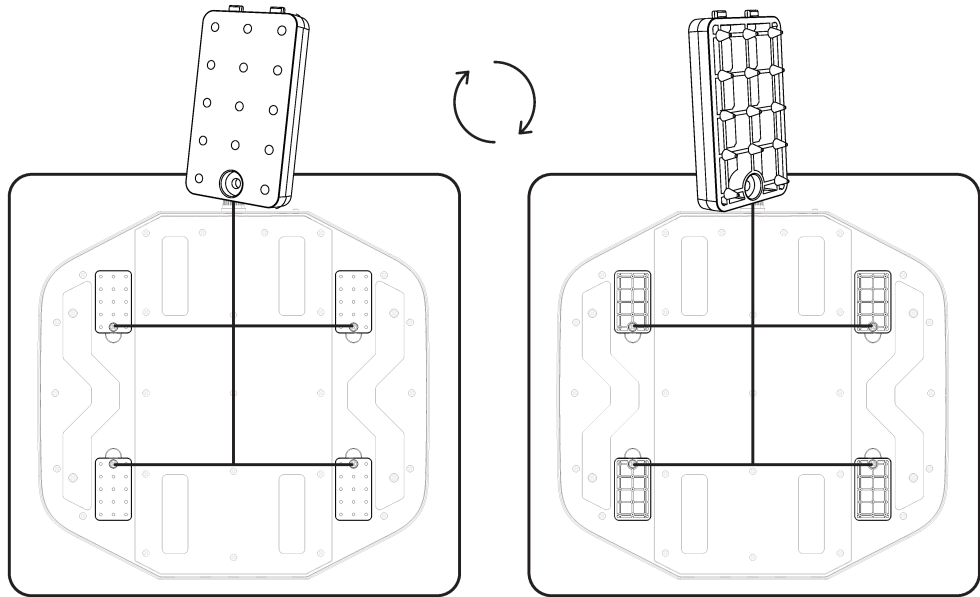
CHANGE LIGHTING / MODIFIER L'ÉCLAIRAGE  
CAMBIAR ILUMINACIÓN / BELEUCHTUNG ANPASSEN  
CAMBIARE ILLUMINAZIONE

## CHANGE LIGHTING



ANTI-SLIP PADS / PATINS ANTIDÉRAPANTS  
ALMOHADILLAS ANTIDESLIZANTES / ANTI-RUTSCH-PADS  
CUSCINETTI ANTISCIVOLO

## ANTI-SLIP PADS

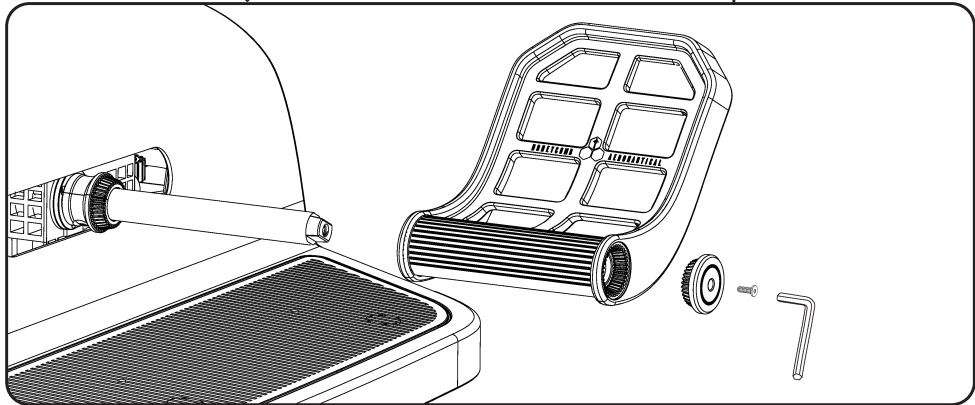
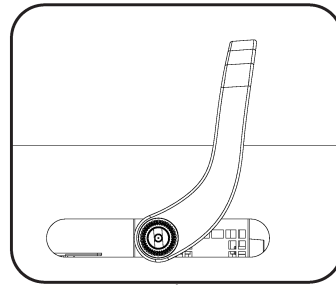
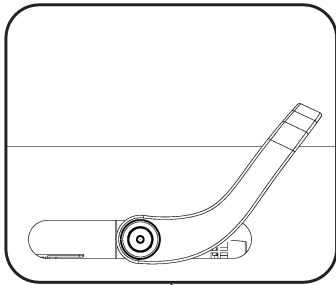


Flat surfaces  
Surfaces planes  
Superficies planas  
Ebene Oberflächen  
Superfici piane

Textile surfaces  
Surfaces textiles  
Superficies textiles  
Textile Oberflächen  
Superfici tessili

ADJUST PEDALS / AJUSTER LES PÉDALES  
AJUSTAR PEDALES / PEDALE EINSTELLEN  
REGOLARE I PEDALI

## ADJUST PEDALS

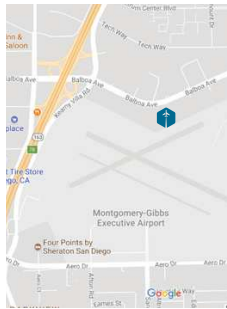


CONTACT / CONTACT / CONTACTO  
KONTAKT / CONTATTO

# HONEYCOMB AERONAUTICAL



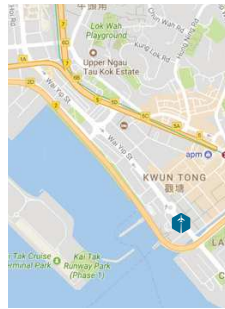
## AMERICAS



Honeycomb  
Aeronautical  
Americas  
Montgomery-Gibbs  
Executive Airport  
8799 Balboa Avenue  
Suite 265, San Diego  
CA 92123, USA



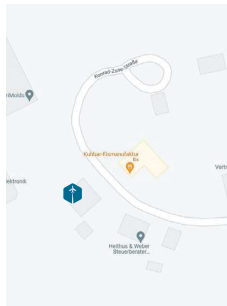
## ASIA PACIFIC



Honeycomb  
Aeronautical  
APAC  
Unit 907-908  
Lu Plaza  
2 Wing Yip Street  
Kwun Tong  
Hong Kong SAR



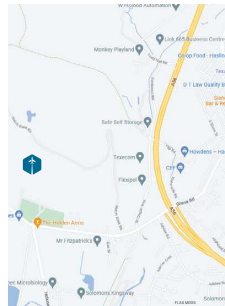
## EUROPE



Honeycomb  
Aeronautical  
Germany  
Konrad-Zuse-Straße 13  
58239 Schwerte  
Germany



## UK



Honeycomb  
Aeronautical  
UK  
59 High Street  
Newport  
Shropshire  
TF10 7AU  
UK



## EU / UK DECLARATION OF CONFORMITY

Hereby we guarantee that Honeycomb Aeronautical Limited is marketing this device (Charlie Rudder Pedals) under the brand name Charlie Rudder Pedals and complies with the legal requirements of EU conformity and UK conformity. This notification is listed under:

Hiermit garantieren wir, dass Honeycomb Aeronautical Limited dieses Gerät (Charlie Rudder Pedals) unter dem Markennamen Charlie Rudder Pedals vertreibt und die gesetzlichen Anforderungen der EU-Konformität und der UK-Konformität erfüllt. Diese Meldung ist aufgeführt unter:

<https://flyhoneycomb.com/pages/customer-support>

Compliance Statement of Innovation, Science and Economic Development Canada (ISED)

This device complies with Innovation, Science and Economic Development Canada licence exempt RSS standard(s). Operation is subject to the following two conditions: (1) this device may not cause interference, and (2) this device must accept any interference, including interference that may cause undesired operation of the device.

This device complies with the Canadian ICES-003 Class B specifications. CAN ICES-003 (B)/NMB-003(B).

Déclaration de conformité de Innovation, Sciences et Développement économique Canada (ISED)

Le présent appareil est conforme aux CNR d'Innovation, Sciences et Développement économique Canada applicables aux appareils radio exempts de licence. L'exploitation est autorisée aux deux conditions suivantes : (1) l'appareil ne doit pas produire de brouillage, et (2) l'utilisateur de l'appareil doit accepter tout brouillage radioélectrique subi, même si le brouillage est susceptible d'en compromettre le fonctionnement.

Cet appareil numérique de la classe B est conforme à la norme ICES-003 du Canada. CAN ICES-003(B)/NMB-003(B)



Warning: Changes or modifications to this unit not expressly approved by the party responsible for compliance could void the user's authority to operate the equipment.

NOTE: This device complies with Part 15 of the FCC Rules. Operation is subject to the following two conditions: (1) this device may not cause harmful interference, and (2)

this device must accept any interference received, including interference that may cause undesired operation. These limits are designed to provide reasonable protection against harmful interference in a residential installation. This equipment has been tested and found to comply with the limits for Class B digital device, pursuant to Part 15 of the FCC Rules. These limits are designed in a residential installation. This equipment generates, uses, and can radiate radio frequency energy and, if not installed and used in accordance with the instructions, may cause harmful interference to radio communications. However, there is no guarantee that interference will not occur in a particular installation. If this equipment does cause harmful interference to radio or television reception, which can be determined by turning the equipment off and on, the user is encouraged to try to correct the interference by one or more of the following measure:

- Reorient or relocate the receiving antenna.
- Increase the separation between the equipment and receiver.
- Connect the equipment into an outlet on a circuit different from that to which the receiver is connected.
- Consult the dealer or an experienced radio TV technician for help.

Shielded cables must be used with this unit to ensure compliance with the Class B FCC limits



This product is subject to the European guideline 2012/19/EU. The symbol of the wheelie bin with a line through means that, in the European Union, the product has to be disposed of in a separate refuse collection. This applies to the product and to all components bearing this symbol. Do not dispose of products bearing this symbol in your normal household waste, but instead take them for recycling at a collection site for electrical and electronic devices.

Ce produit est soumis à la directive européenne 2012/19/EU. Le symbole de la poubelle à roues traversée par un trait signifie que, dans l'Union européenne, le produit doit être éliminé dans le cadre d'une collecte séparée des déchets. Ceci s'applique au produit et à tous les composants portant ce symbole. Ne jetez pas les produits portant ce symbole avec vos déchets ménagers normaux, mais apportez-les pour le recyclage dans un site de collecte des appareils électriques et électroniques.

Este producto está sujeto a la Directiva Europea 2012/19/UE. El símbolo del cubo de basura con ruedas con una línea atravesada significa que en la Unión Europea el producto debe eliminarse en la recogida selectiva de residuos. Esto se aplica al producto y a todos los componentes que llevan este símbolo. No elimine los productos que llevan este símbolo con la basura doméstica normal, sino que llévelos a un punto de recogida de equipos eléctricos y electrónicos para su reciclaje.

Dieses Produkt unterliegt der EU-Richtlinie 2012/19/EU. Das Symbol der durchgestrichenen Mülltonne bedeutet, dass das Produkt in der Europäischen Union in einer getrennten Müllsammlung entsorgt werden muss. Dies gilt für das Produkt und für alle Komponenten die dieses Symbol tragen. Entsorgen Sie Produkte mit diesem Symbol nicht über den normalen Hausmüll, sondern geben Sie sie bei einer Sammelstelle für elektrische und elektronische Geräte zum Recycling ab.

Questo prodotto è soggetto alla Direttiva europea 2012/19/UE. Il simbolo del cassonetto con una linea che lo attraversa significa che nell'Unione Europea il prodotto deve essere smaltito nella raccolta differenziata. Questo vale per il prodotto e per tutti i componenti contrassegnati da questo simbolo. Non smaltire i prodotti contrassegnati da questo simbolo insieme ai normali rifiuti domestici, ma portarli presso un punto di raccolta per apparecchiature elettriche ed elettroniche per il riciclaggio.



Points de collecte sur [www.quefairedemesdechets.fr](http://www.quefairedemesdechets.fr)  
Privilégiez la réparation ou le don de votre appareil !

Under the environment with electric field, the product may malfunction and could self-recover when the interference disappear.

Dans un environnement avec un champ électrique, le produit peut présenter des dysfonctionnements et se rétablir automatiquement lorsque les interférences disparaissent.

En un entorno con campo eléctrico, el producto puede funcionar mal y podría autorrecuperarse cuando desaparezcan las interferencias.

In einer Umgebung mit elektrischen Feldern kann es zu Fehlfunktionen kommen, die sich nach dem Verschwinden der Störung von selbst beheben.

In un ambiente con campi elettrici, il prodotto potrebbe non funzionare correttamente e potrebbe ripristinarsi quando l'interferenza scompare.

#### TECHNICAL SPECIFICATIONS

- Model number: HCO03073
- Operation Temperature: -10°C to +45°C (14 to 113°F)
- Color: Black
- Material: Metal / Plastic
- Dimensions: 49.4 x 48.7 x 20.5 cm / 19.45 x 19.17 x 8.07 in
- Input Interface: USB Type-C
- Input voltage: 5 V DC, 0.2 A
- Supported Systems: Windows W7, W8, W8.1 (x86 & x64), Win10 MAC OSX 10.7 Onwards
- The rating label is located at the bottom of the product

#### SPÉCIFICATIONS TECHNIQUES

- Numéro de modèle : HCO03073
- Température de fonctionnement : -10°C à +45°C (14 à 113°F)
- Couleur : Noir
- Matériau : Métal / Plastique
- Dimensions : 49.4 x 48.7 x 20.5 cm / 19.45 x 19.17 x 8.07 in
- Interface d'entrée : USB Type-C
- Tension d'entrée : 5 V DC, 0.2 A
- Systèmes supportés : Windows W7, W8, W8.1 (x86 & x64), Win10 MAC OSX 10.7 et suivants
- L'étiquette de classement est située au bas du produit

## ESPECIFICACIONES TÉCNICAS

- Número de modelo: HCO03073
- Temperatura de funcionamiento:  
-10°C a +45°C (14 a 113°F)
- Color: Negro
- Material: Metal / Plástico
- Dimensiones: 49.4 x 48.7 x 20.5 cm /  
19.45 x 19.17 x 8.07 in
- Interfaz de entrada: USB Type-C
- Voltaje de entrada: 5 V CC, 0.2 A
- Sistemas soportados: Windows W7, W8,  
W8.1 (x86 & x64), Win10 MAC OSX 10.7 en  
adelante
- La etiqueta de clasificación se encuentra en  
la parte inferior del producto

## TECHNISCHE DATEN

- Modellnummer: HCO03073
- Betriebstemperatur: -10°C bis +45°C
- Farbe: Schwarz
- **Material: Metall / Kunststoff**
- Abmessungen: 49.4 x 48.7 x 20.5 cm /  
19.45 x 19.17 x 8.07 in
- Eingangsschnittstelle: USB Type-C
- Eingangsspannung: 5 V DC, 0.2 A
- Unterstützte Systeme: Windows W7, W8,  
W8.1 (x86 & x64), Win10 MAC OSX ab 10.7
- Das Typenschild befindet sich an der Unter-  
seite des Produkts

## SPECIFICHE TECNICHE

- Numero di modello: HCO03073
- Temperatura di funzionamento:  
da -10°C a +45°C
- Colore: nero
- Materiale: Metallo / Plastica
- Dimensioni: 49.4 x 48.7 x 20.5 cm /  
19.45 x 19.17 x 8.07 in
- Interfaccia di ingresso: USB Type-C
- Tensione di ingresso: 5 V CC, 0.2 A
- Sistemi supportati: Windows W7, W8, W8.1  
(x86 & x64), Win10 MAC OSX 10.7 in poi
- L'etichetta di valutazione si trova nella parte  
inferiore del prodotto

## MANUFACTURER:

Honeycomb Aeronautical Limited  
Unit 907-908, Lu Plaza, 2 Wing Yip Street  
Kwun Tong, Kowloon, Hong Kong

## RESPONSIBLE PARTY IN USA:

Honeycomb Aeronautical  
Adress: 8799 Balboa Avenue, Suite 265  
San Diego, CA 92123, USA  
info@flyhoneycomb.com

Model: HCO03073

Version: 05/2024

Made in China / Fabriqué en Chine



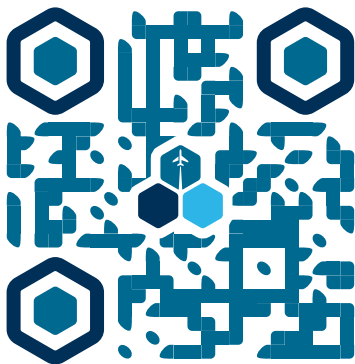
Montgomery-Gibbs Executive Airport | 8799 Balboa Avenue  
Suite 265 | San Diego | CA 92123 | USA

Unit 907-908 | Lu Plaza | No. 2 Wing Yip Street | Kwun Tong | Hong Kong

Konrad-Zuse-Straße 13 | 58239 Schwerte | Germany

59 High Street | Newport | Shropshire | TF10 7AU | UK

All other trademarks are the property of their respective owners.



[www.flyhoneycomb.com](http://www.flyhoneycomb.com)