

We are so happy you chose a
hama product.

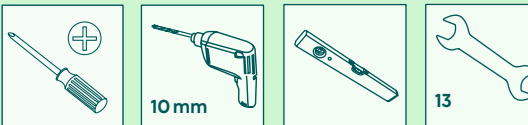
Enjoy using it!



hama

Quick Installation Guide

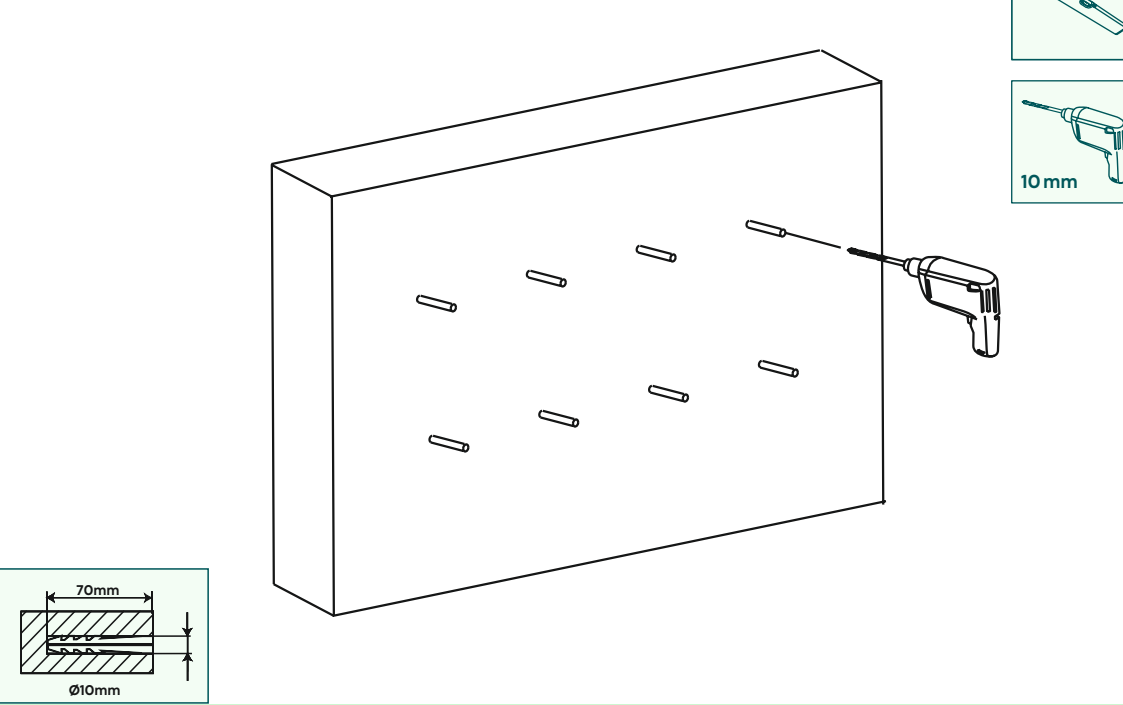
Required tools



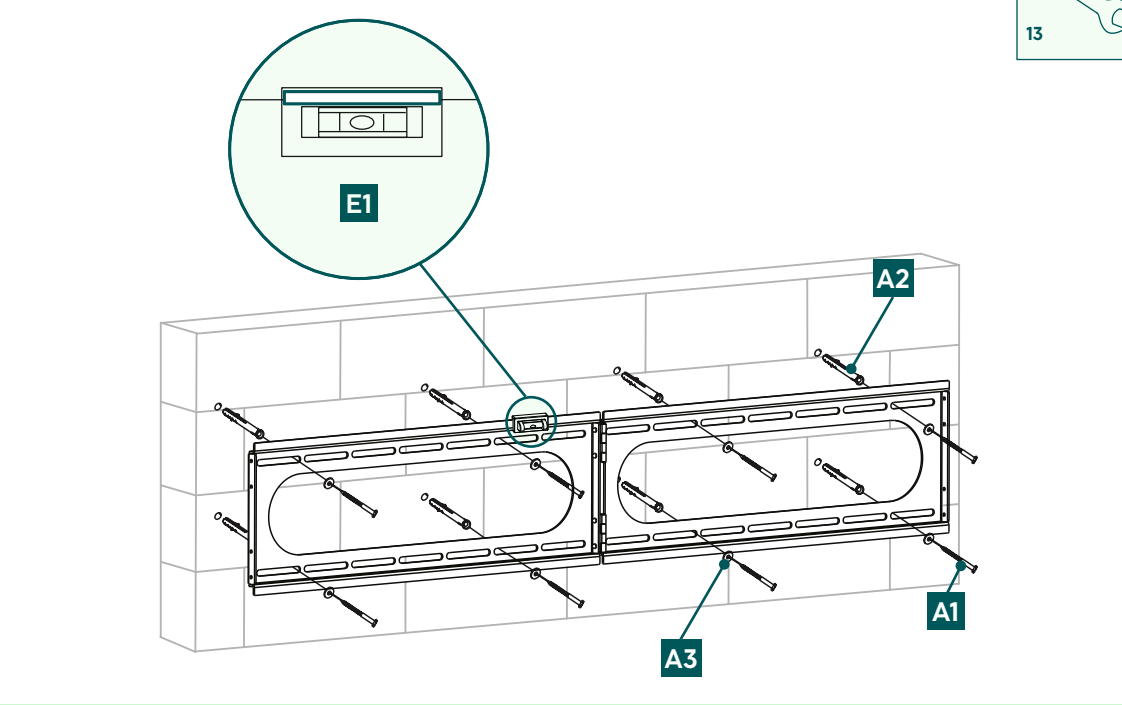
Installation kit

A1		8x60 (x8)	C2		M6x20 (x4)
A2		Ø10x60 (x8)	D1		M8x12 (x4)
A3		M8 (x8)	D2		M8x20 (x4)
B1		M6 (x4)	D3		M8x30 (x4)
B2		Ø8x10 (x4)	D4		M8x50 (x4)
B3		Ø8x20 (x4)	E1		(x1)
C1		M6x12 (x4)			

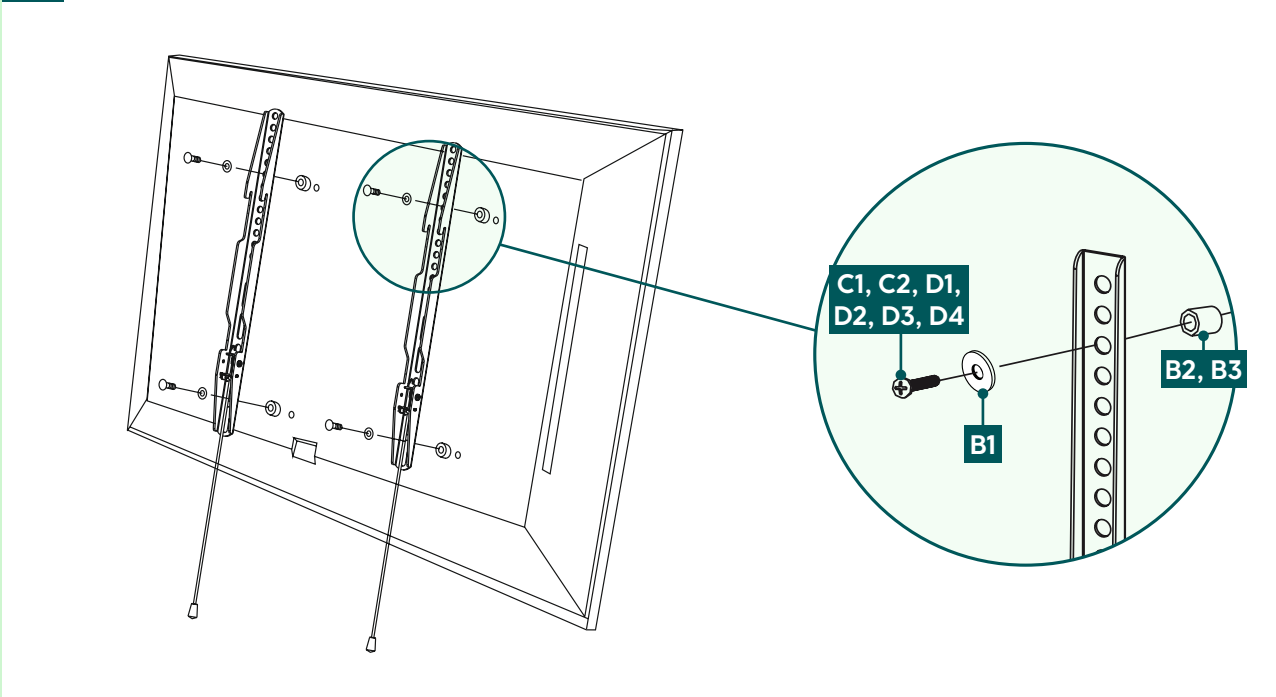
1 Drilling the holes



2 Wall mounting the bracket

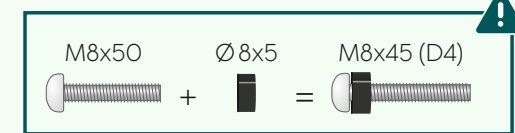


3 Mounting on the TV



Flat TV backside

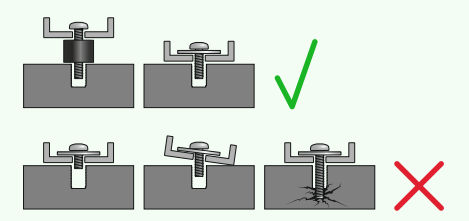
C1, D1, D4 + B1



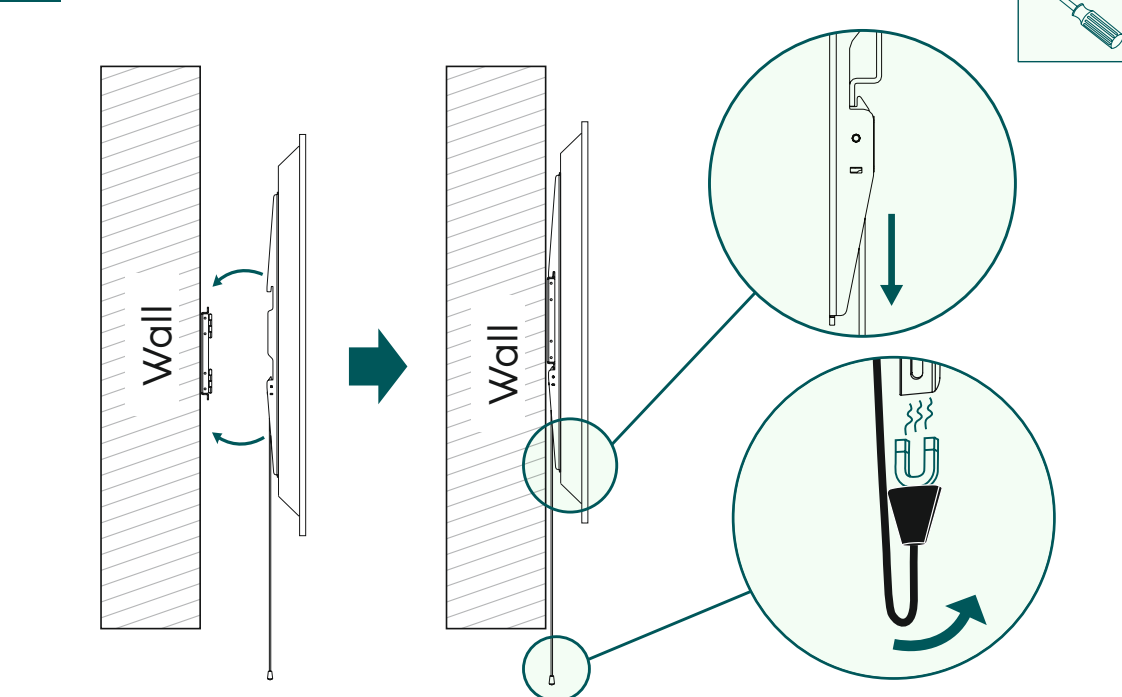
Curved TV backside

C2, D2, D4 + B1 + B2

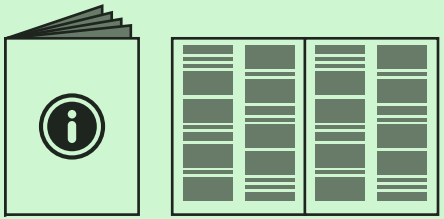
D3, D4 + B3



4 Mounting TV on bracket



Do you need more help?



Scan QR or visit: www.hama.com
 ➔ 🔍 ➔ 00220843 ➔ Downloads