



**VIEW
STEP-BY-STEP
INTERACTIVE
ASSEMBLY GUIDE**



EVOLVE

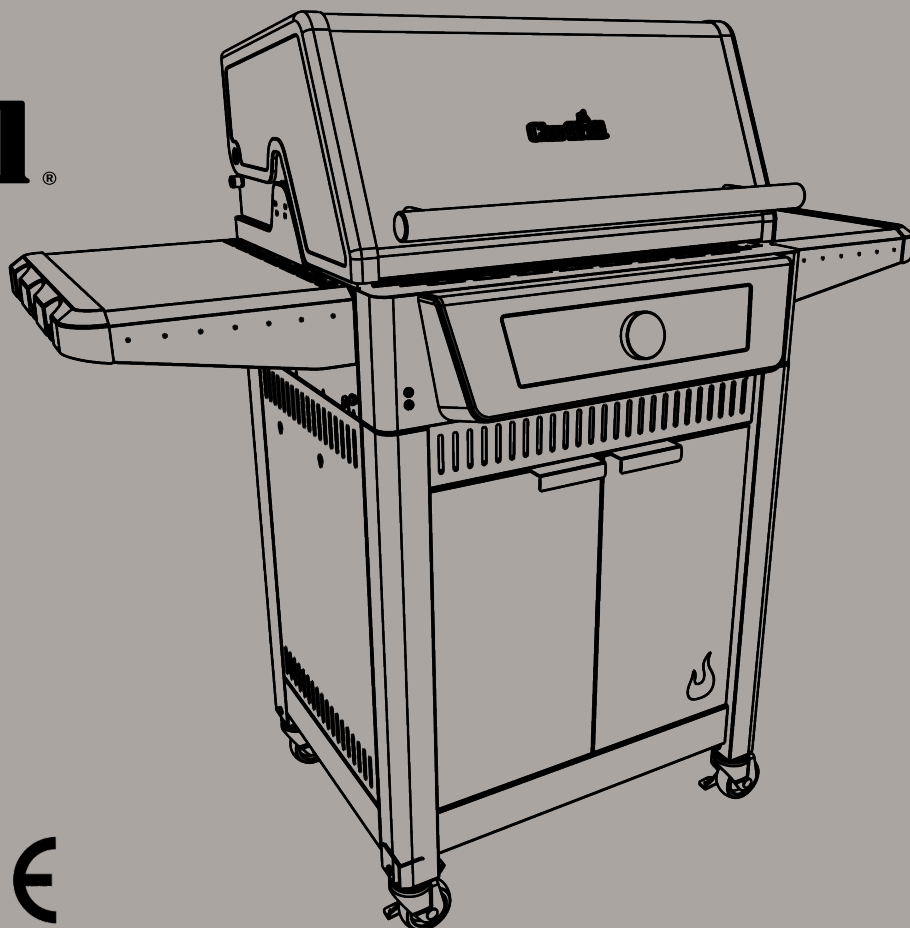
LET'S GET STARTED!

Char-Broil®

MODEL NUMBER

468921224

468922224



**UK
CA**

CE

8504DO-0012

2531DO-0077


GB	Operating Instructions	2	Assembly Instructions	102
CH,FR	Mode d'emploi	11	Instructions d'assemblage	102
LU,AT,CH,DE	Betriebsanweisungen	20	Montageanweisungen	102
CH,IT	Istruzioni per l'uso	29	Istruzioni per il montaggio	102
SE	Användning	38	Montering	102
ES	Instrucciones de funcionamiento	46	Instrucciones de armado	102
DK	Brugsanvisning	54	Monteringsvejledning	102
NO	Instruksjoner for bruk	62	Imontering	102
SK	Návod na používanie	70	Návod na montáž	102
CZ	Návod k obsluze	78	Montážní návod	102
HU	Használati utasítások	86	Szerelési útmutató	102
SI	Navodila za uporabo	94	Navodila za montažo	102


IMPORTANT SAFETY INFORMATION


SAFETY SYMBOLS

DANGER, WARNING, and CAUTION statements are used throughout this Owner's Manual to emphasize critical and important information. Read and follow these statements to help ensure safety and prevent property damage.


The statements are defined below.


 CAUTION
CAUTION: Indicates a potentially hazardous situation or unsafe practice which, if not avoided, may result in minor or moderate injury.


 WARNING
WARNING: Indicates a potentially hazardous situation which, if not avoided, could result in death or serious injury.


 DANGER
DANGER: Indicates an imminently hazardous situation which, if not avoided, will result in death or serious injury.


INSTALLER/ASSEMBLER: Leave this manual with consumer.
CONSUMER: Keep this manual for future reference.
It is the responsibility of the assembler/owner to assemble, install and maintain the barbecue.
Questions: If you have questions during assembly or use of this barbecue contact your local dealer.
FOR OUTDOOR USE ONLY 1. For outdoor use only. 2. Do not use indoors or for commercial cooking. 3. Use appliance only in well-ventilated space.

 WARNING
<ul style="list-style-type: none">• This instruction manual contains important information necessary for the proper assembly and safe use of the appliance.• Read and follow all warnings and instructions before assembling and using the appliance.• Follow all warnings and instructions when using the appliance.• Keep this manual for future reference.

 DANGER
<ul style="list-style-type: none">• Never operate this appliance unattended.• Never operate this appliance within 10ft (3m) of any structure, combustible material or other gas cylinder.• Never operate this appliance within 25 ft (7.5 m) of any flammable liquid.• If a fire should occur, keep away from the appliance and immediately call your fire department. Do not attempt to extinguish an oil or grease fire with water. Failure to follow these instructions could result in fire, explosion or burn hazard, which could cause property damage, personal injury or death.

 WARNING
<ol style="list-style-type: none">1. Do not store or use petrol or other flammable liquids in the vicinity of this or any other appliance.2. A gas cylinder not connected for use shall not be stored in the vicinity of this or any other appliance.

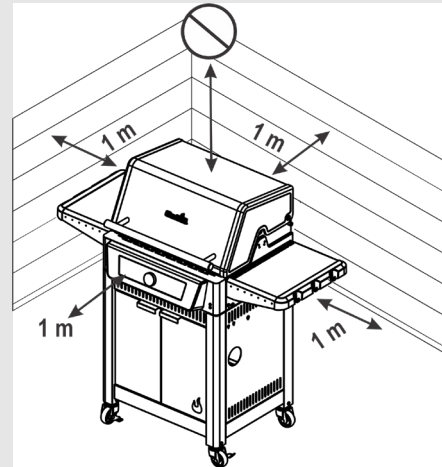
 DANGER
If you smell gas: <ol style="list-style-type: none">1. Shut off gas to the appliance2. Extinguish any open flame.3. Open lid.4. If odor continues, keep away from the appliance and immediately call your gas supplier or your fire department.

 WARNING
For Safe Use of Your Appliance and to Avoid Serious Injury: USE OUTDOORS ONLY. NEVER USE INDOORS. Read the instructions before using the appliance. Always follow these instructions. <ul style="list-style-type: none">• Do not move the appliance during use.• Accessible parts may be very hot. Keep young children away. Do not let children operate or play near appliance.• Turn off the gas supply at the cylinder after use.• This appliance must be kept away from flammable materials during use.• Do not block holes in sides or back of appliance.• Check burner flames regularly.• Do not block venturi openings on burner.• Use appliance only in well-ventilated space. NEVER use in enclosed space such as carport, garage, porch, covered patio, or under an overhead structure of any kind.• Do not use charcoal or ceramic briquettes in a gas appliance.

CARE & USE

- **DO NOT** cover grates with aluminum foil or any other material. This will block burner ventilation and create a potentially dangerous condition resulting in property damage and/or personal injury.
- This grill re-ignites automatically with lid closed, open the lid before first ignition.
- Use appliance at least 1m from any wall or surface. Maintain 3m clearance to objects that can catch fire or sources of ignition such as pilot lights on water heaters, live electrical appliances, etc. Storage of non-ignited gas inside a closed appliance is hazardous.
- Always turn off gas at cylinder and disconnect regulator before moving gas cylinder from specified operating position.
- Never operate appliance with gas cylinder out of correct position specified.
- Do not modify the appliance. Any modifications is strictly prohibited.
- Sealed parts are not to be manipulated by the user. Do not disassemble injectors.

⚠ WARNING



- Always turn off gas at cylinder and disconnect regulator before moving gas cylinder from specified operating position.
- Never operate appliance with gas cylinder out of correct position specified.
- Do not modify the appliance. Any modifications is strictly prohibited. Sealed parts are not to be manipulated by the user. Do not disassemble injectors.
- Do not use Barbecue with the lid closed while cooking.

Failure to follow all manufacturer's instructions could result in serious personal injury and/or property damage.

Do not attempt to repair or alter the hose/valve/regulator for any "assumed" defect. Any modification to this assembly will void your warranty and create the risk of a gas leak and fire. Use only authorized replacement parts supplied by manufacturer.

Do not cover grates with aluminum foil or any other material. This will block burner ventilation and create a potentially dangerous condition resulting in property damage and/or personal injury.

Read and follow all safety statements, assembly instructions and use and care directions before attempting to assemble and cook. Some parts may contain sharp edges. Wearing protective gloves is recommended.

Grease Fires

- **Putting out grease fires by closing the lid is not possible. Barbecues are well ventilated for safety reasons.**
- **Do not use water on a grease fire, Personal injury may result. If a persistent grease fire develops, turn knobs and gas cylinder off.**
- **If appliance has not been regularly cleaned, a grease fire can occur that may damage the product. Pay close attention while preheating or burning off food residue to insure that a grease fire does not develop. Follow instructions on general appliance cleaning and cleaning the burner assembly to prevent grease fires. The best way to prevent grease fires is regular cleaning of the appliance.**
- **Do not leave barbecue unattended while preheating or burning off food residue on MAX. If barbecue has not been regularly cleaned, a grease fire can occur that may damage the product.**

CARE & USE

Safety Tips

- Before opening gas cylinder valve, check the regulator for tightness.
- When appliance is not in use, turn off controller and gas.
- Use long-handled barbecue utensils to avoid burns and splatters. Use protective gloves when handling hot components.
- Maximum load for side shelf is 4.5 Kg.
- The grease cup (if equipped) must be inserted into appliance and emptied after each use. Do not remove grease cup until appliance has completely cooled.
- Be very careful when you open the lid, since hot steam may escape.
- Be very careful when children, the elderly, or pets are nearby.
- If you notice grease or other hot material dripping from appliance onto valve, hose or regulator, turn off gas supply at once. Determine the cause, correct it, then clean and inspect valve, hose, and regulator before continuing. Perform a leak test.
- Do not store objects or materials inside the appliance cart enclosure that would block the flow of combustion air to the underside of either the control panel or the firebox bowl.
- **DO NOT** disconnect or change gas container within 3m of an open flame or other ignition source.
- This appliance can be used by persons with reduced physical, sensory or mental capabilities or lack of experience and knowledge if they have been given supervision or instruction concerning use of the appliance in a safe way and understand the hazards involved
- Children shall not play with the appliance
- Cleaning and user maintenance shall not be made by children without supervision
- If the supply cord is damaged, it must be replaced by the manufacturer, its service agent or similarly qualified persons in order to avoid a hazard.

Cylinder Placement

Cylinders placed in the appliance shall have a maximum diameter of 340mm and maximum height, including regulator, of 400mm. Larger cylinders are to be placed under side shelf or behind the barbecue only. Cylinders placed on the ground shall not be placed under the hot plate.

Regulator Requirements

A regulator must be used with this appliance. Use only gas regulator supplied with your barbecue. If a regulator is not supplied then use only regulator certified according to EN16129 (Flow rate max. 1.5 kg/h) and approved for your country and gas specified in Technical Data.

Hose Requirements

Use only approved hose which is certified to appropriate EN standard and does not exceed 1.5m length. For Finland, the hose length shall not exceed 1.2m. Before each use, check to see if hoses are cut or worn. Make sure hose is not kinked. Replace damaged hoses before using appliance. Replace hose as required by national requirements.

Ignitor Lighting

- **Do not lean over grill while lighting.**
- 1. Plug in AC power cord.
- 2. Open lid during lighting or re-lighting.
- 3. Turn ON gas at LP cylinder.
- 4. Press power button to turn on controller.
- 5. Turn knob to desired temperature.
- 6. Press and release knob to ignite grill. (To control only one side of the grill, see instructions in Grill Operation.)
- 7. If ignition does not occur, clear error code by pressing and holding power button to turn off grill. Wait 5 minutes and repeat the lighting procedure.



WARNING

- Turn controls and gas cylinder off when not in use.
- Make sure that when connected hose does not touch any warm surfaces.



CAUTION

If ignition does not occur, clear error code by pressing and holding power button to turn off grill. Wait 5 minutes and repeat the lighting procedure. If the burner does not ignite with the valve open, gas will continue to flow out of the burner and could accidentally ignite with risk of injury.

Leak Testing Valves, Hose and Regulator

Leak test before first use, at least once a year, and every time the cylinder is changed or disconnected.

1. Turn appliance off. .
2. Be sure regulator is tightly connected to gas cylinder.
3. Turn on Gas. If you hear a rushing sound, turn gas off immediately. There is a major leak at the connection. Correct before proceeding.
4. Brush soapy solution (mixture of half soap and half water) onto hose connections.
5. If growing bubbles appear, there is a leak. Turn off gas at cylinder immediately and check tightness of connections. If leak cannot be stopped do not try to repair. Call for replacement parts.
6. Always turn off gas at cylinder after performing leak test.

IF APPLIANCE FAILS TO LIGHT

- Make sure gas is turned on at cylinder.
- Make sure there is gas in the cylinder.
- Does the ignitor make a sparking noise? Do not smoke during leak test.
 1. If yes check for spark at burner.
 2. If no spark check for damaged or loose wires.
- If wires are OK check for cracked or broken electrode, replace if needed.
- If wire or electrodes are covered by cooking residue, clean electrode tip with alcohol wipe if needed.
- If needed replace wires.
- Check for loose wire connection at controller.

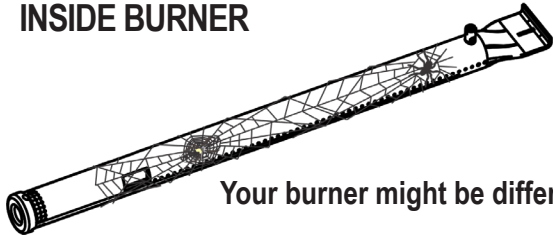
CARE & USE



CAUTION

SPIDER ALERT!

SPIDER AND WEBS INSIDE BURNER



Your burner might be different.

- If your grill is getting hard to light or the flame is weak, check and clean the venturis and burners.
- Spiders or small insects are known to create “flashback” problems by building nests and laying eggs in the grill’s venturi or burner, obstructing the flow of gas. The backup gas can ignite behind the control panel. This flashback can damage your grill and cause injury. To prevent flashbacks and ensure good performance the burner and venturi tube assembly should be removed and cleaned when ever the grill has been idle for an extended period of time.

Cleaning the Burner Assembly

Follow these instructions to clean and/or replace parts of burner assembly or if you have trouble igniting grill.

1. Turn gas off at LP cylinder.
2. Remove cooking grates.
3. Remove carryover tubes and hardware securing burners.
4. Detach electrode from burner.
5. Carefully lift each burner up and away from valve openings.

We suggest three ways to clean the burner tubes. Use the one easiest for you.

(A) Bend a stiff wire (a light weight coat hanger works well) into a small hook. Run the hook through each burner tube several times.



(B) Use a narrow bottle brush with a flexible handle (do not use a brass wire brush). Run the brush through each burner tube several times.

(C) **Wear eye protection:** Use an air hose to force air into the burner tube and out the burner ports. Check each port to make sure air comes out each hole.

6. Wire brush entire outer surface of burner to remove food residue and dirt.
7. Clean any blocked ports with a stiff wire such as an open paper clip.
8. Check burner for damage due to normal wear and corrosion, some holes may become enlarged. If any large cracks or holes are found, replace burner.
9. Attach electrode and flame sensor to burner.

10. Carefully replace burners.
11. Attach burners to brackets on firebox.
12. Reposition carryover tubes and attach to burners. Replace cooking grates.
13. Before cooking again on barbecue, perform a “Leak Test” and “Burner Flame Check”.

General Appliance Cleaning

Periodic cleaning of this grill is necessary, as grill fires can occur when grease and food debris collect in the bottom of the grill. After each use, remove any remaining food particles from the cooking grate and inside of the grill using a Char-Broil Cool-Clean Brush. Afterwards you could spray Char-Broil Grate Cleaner generously onto the grate, allow it work for 10 minutes and wipe off with a wet cloth or brush. Perform grill cleaning after the grill has cooled down.

- Do not mistake brown or black accumulation of grease and smoke for paint. Interiors of gas barbecues are not painted at the factory (and should never be painted). Apply a strong solution of detergent and water or use a appliance cleaner with scrub brush on insides of appliance lid and bottom. Rinse and allow to completely air dry. Do not apply caustic appliance/oven cleaner to painted surfaces.
- **Plastic parts:** Wash with warm soapy water and wipe dry. Do not use abrasive cleaners, degreasers or a concentrated appliance cleaner on plastic parts. Damage to and failure of parts can result.
- **Porcelain surfaces:** Because of glass-like composition, most residue can be wiped away with baking soda/water solution, glass cleaner or Char-Broil Grate Cleaner. Use nonabrasive scouring powder for stubborn stains.
- **Painted surfaces:** Wash with mild detergent or cleaner and warm soapy water or Char-Broil Grill Cleaner. Wipe dry with a soft nonabrasive cloth.
- **Cooking surfaces:** Ensure no loose bristles remain on cooking surfaces prior to grilling. While grill is hot, it is only recommended to clean cooking surfaces using the Char-Broil Hot-Clean Replacement head (on the Char-Broil Cool-Clean Premium Brush).
- **Controller:** To clean the controller face, wipe clean with soft, dry cloth.

CLEAN Setting

Your grill is equipped with an innovative CLEAN setting that allows for hassle-free grill cleaning. The high heat generated from the burners will turn all remaining food debris to ash.

Follow these steps:

- After you are done grilling, while temperature is still set, press and hold CLEAN icon until CLN is displayed on controller.
- Once the grill is cool, use a Char-Broil Cool-Clean Brush to remove any remaining debris and dispose of the ash.
- To get extra-shiny results, use the Char-Broil Grate Cleaner as a last step. Spray generously onto the grate, allow it work for 10 minutes and wipe off with a wet cloth or brush.

CARE & USE

For Your Safety

- The grease tray must be inserted into appliance and emptied after each use.
- If you have an appliance problem see the “Troubleshooting Section”.

IMPORTANT SAFEGUARDS

When using electrical appliances, basic safety precautions should always be followed including the following:

READ ALL INSTRUCTIONS

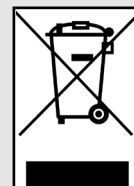
- Do not touch hot surfaces with unprotected hands. Use handles and knobs provided for operation.
- To protect against electrical shock, do not immerse cord, plugs, or controller in water or any other liquid.
- Do not leave appliance unattended.
- Close supervision is necessary when any appliance is used by or near children. Keep children and pets away from the appliance at all times.
- This appliance is not a toy.
- Never leave barbecue unattended when **ON**.
- Unplug from outlet when not in use and before moving or cleaning.
- Allow to cool before putting on or taking off parts. Do not operate any appliance with a damaged cord or plug or after the appliance malfunctions or has been damaged in any manner.
- The use of accessory attachments not recommended by the appliance manufacturer may cause injuries. Use only accessory attachments recommended by manufacturer.
- Do not let cord hang over edge of table or counter, or touch hot surfaces.
- Do not use appliance for other than intended use. This appliance is not intended for and should never be used as a heater.
- To prevent barbecue from being splashed or falling into water, do not use barbecue within 3 meters of a pool, pond or other body of water.
- Keep barbecue and electric controller dry and out of rain at all times.
- Keep electric plugs off ground and dry.
- Do not use water or other liquid spray to clean product without first unplugging electric controller.

- Do not use or store gasoline, kerosene or other flammable liquids within 7 meters of this barbecue when in use. Keep appliance area clear and free from materials that burn.
- Do not move the appliance when in use.
- When cooking, the appliance must be on a level, stable surface in an area clear of combustible material.
- The use of alcohol, prescription or non-prescription drugs may impair the consumer’s ability to properly assemble or safely operate the appliance.
- Don’t immerse the appliance in water for cleaning

For your safety - If you must use an extension cord:

- Use only outdoor type cord rated for 13 amperes or higher.
- Use the shortest length extension cord required. Do not connect 2 or more extension cords together.
- Keep connections dry and off ground.
- Do not let cord hang over edge of table top or other items where it can be pulled by children or tripped over.

This product must not be disposed together with domestic waste. This product has to be disposed at an authorized place for recycling of electrical and electronic appliances. By collecting and recycling waste you help save natural resources, and make sure the product is disposed in an environmental friendly and healthy way.

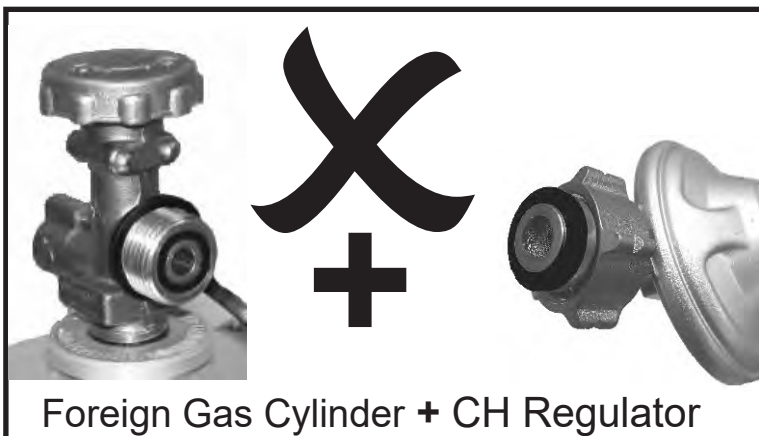
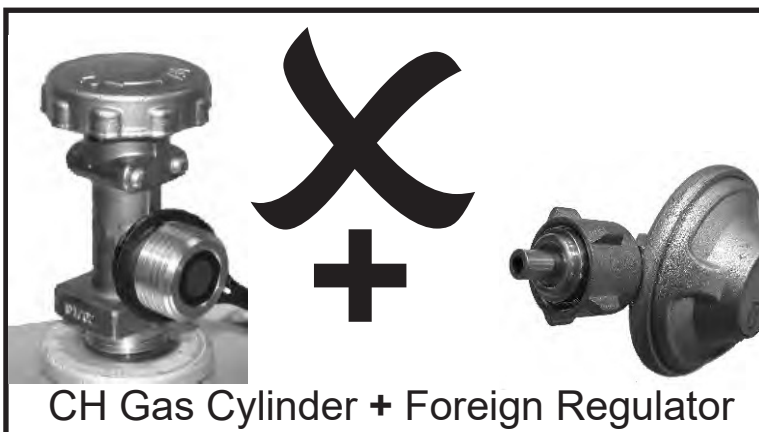
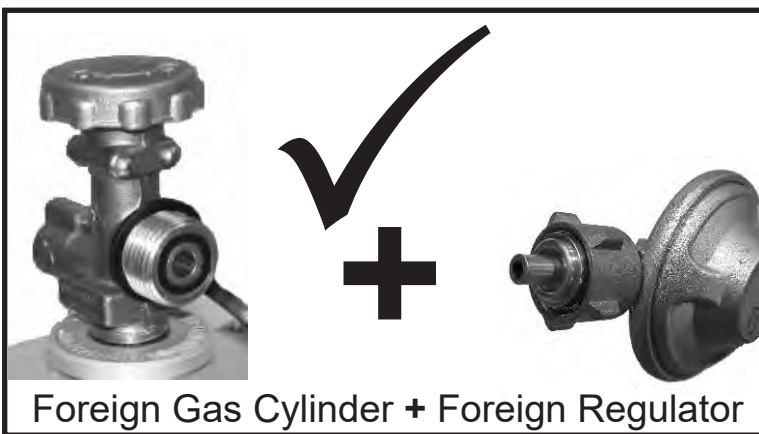
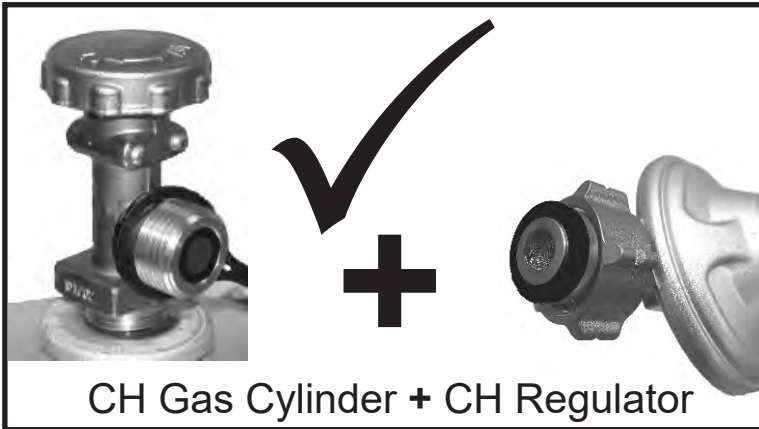


Storing Your Appliance

- Clean cooking grates.
- Store in dry location.
- When gas cylinder is connected to appliance, store outdoors in a well-ventilated space and out of reach of children.
- Cover appliance if stored outdoors.
- Store appliance indoors **ONLY** if gas cylinder is turned off and disconnected, removed from appliance and stored outdoors. When removing appliance from storage check for burner obstructions.

For an easy set up, visit our website and navigate to the product page for Evolve Gas. You’ll find a Quick Start Guide in your native language to help you operate the controller.

IMPORTANT! PLEASE READ!



A regulator must be used with this appliance. Use only the gas regulator supplied with your barbeque. If a regulator is not supplied then use only a regulator certified according to EN16129 (Flow rate max. 1.5 kg/h) and approved for your country and gas specified in Technical Data.

For Switzerland Only

There is a danger of fire and explosion with gas appliances which are equipped with foreign pressure regulators and are not compatible with the gas tanks and gas regulators available in Switzerland

Due to the different sealing systems, it is impossible to properly seal the regulator to the gas tank. Gas will escape here and can be ignited by flame or sparks. A life-threatening explosion, and/or property damage can result. Swiss and German tanks and regulators cannot be intermixed.

For safety reason, please check your grill regulator and gas tank connection and make sure it follows in one of the allowed cases shown in the pictures.

Perform a leak check each time you connect your grill to the gas tank.

TECHNICAL DATA

TECHNICAL DATA CHAR-BROIL, LLC				
Appliance Name	Gas Barbeque/Gas Grill			
Total Nominal Heat Input	8.44 KW(614 g/h)		7.62 KW (554 g/h)	
Gas Category	I3+(28-30/37)		I3B/P(30)	I3B/P(50)
Model No.	468921224			468922224
Gas Type	Butane	Propane	Butane, Propane or their mixtures	Butane, Propane or their mixtures
Gas Pressure	28-30 mbar	37 mbar	30 mbar	50 mbar
Injector Size (Dia. mm)	Barbecue: 0.72 x 4 pcs		Barbecue: 0.72 x 4 pcs	Barbecue: 0.58 x 4 pcs
Side Burner Injector Size (Dia. mm)	Barbecue: N/A		Barbecue: N/A	Barbecue: N/A
Electrical Rating	220-240V, 50Hz, 5W			
Destination Countries	GB, FR, BE, ES, IT, PT, CZ, SK, CH, CY, GR, IE, LT, LU, LV, TR, SI		DK, NO, NL, SE, FI, IS, CZ, IT, SK, BG, CY, EE, HR, HU, LT, LU, LV, MT, RO, SI, BE, GB, FR	AT, CH, DE, LU, SK

TROUBLESHOOTING

Problem	Possible Cause	Prevention/Solution
Grill does not get to temperature	Setpoint changed	<ul style="list-style-type: none"> • Check if the setpoint has been lowered.
	Lid Left Open or opened frequently	<ul style="list-style-type: none"> • Leaving the barbecue lid open will prolong the heat-up process and may cause the temperature sensors to not read the correct temperature. Keep lid closed while cooking.
	Temperature Sensor Defect	<ul style="list-style-type: none"> • If the temperature does not rise, check wire connections: <ul style="list-style-type: none"> • Turn off and unplug grill. • Remove control panel and ensure all wires are firmly connected - Reassemble the control panel and assess the temperature probe with the same method. • If temperature still does not rise, your temperature sensor may need to be replaced • Please call customer service for assistance.
Food probe temperature does not show up in display or shows unreasonable value	Not fully seated/plugged in	<ul style="list-style-type: none"> • Push probe plug all the way into probe jack.
	Food probe damaged	<ul style="list-style-type: none"> • Plug probe into another probe jack and observe reading. If no display or an unreasonable value is shown, replace food probe. If temperature display is now active and at a reasonable value, try original jack once more. If display is still bad, the probe jack may need to be replaced. • Please call customer service for assistance.
	Contamination in the food probe jack	<ul style="list-style-type: none"> • Inspect the food probe jacks that do not report a temperature with a flashlight to find any debris. If there is debris, ensure the grill is unpowered and then remove debris carefully. Check that the food probe connector is clean and dry. Insert the food probe into an adjacent jack to inspect for a reading. If there is no temperature displayed in the controller for any of the jacks, then the food probe is damaged.
	Food probe is not properly inserted in food	<ul style="list-style-type: none"> • Tip of probe should be inserted into thickest part of the food being measured. Food probe should not be in direct contact with any bone since direct contact will prevent an accurate reading. Food probe should not be in contact with cooking grates.
Product won't connect to Bluetooth	Product is too far away from phone	<ul style="list-style-type: none"> • Complete pairing process with device within 1,5m (5 ft) of phone.
	Phone Bluetooth turned off or on Airplane Mode	<ul style="list-style-type: none"> • In your mobile device settings, make sure Bluetooth is turned on and airplane mode is disabled. <ol style="list-style-type: none"> 1. For Android devices, make sure that location services are turned on and that the application is permitted to use location services. This will enable Bluetooth to be used in the application. 2. For iPhone devices, check that Bluetooth is enabled for the application in the operating system settings.
	Product is already paired to another phone	<ul style="list-style-type: none"> • Use the original mobile device paired to the product or reset the grill's connections. If resetting the grill connection, first remove the product from the mobile device Bluetooth settings. Alternatively, turn off bluetooth on the previous mobile device while performing the pairing process. • To reset grill connection, press and hold the control knob for 10 seconds. A beep will sound indicating reset is complete. Now go through the pairing process for Bluetooth on the device.
	Product is already paired to the same phone	<ul style="list-style-type: none"> • Turn the product off and close the application. Turn product back on and re-open the application. If product is still not connected by Bluetooth, remove the product from the mobile phone operating system Bluetooth device settings. On the grill, press and hold the control knob until it beeps to clear the grill's Bluetooth settings and restart the pairing process.

TROUBLESHOOTING

Problem	Possible Cause	Prevention/Solution
Product won't connect to WiFi	Incorrect router password	<ul style="list-style-type: none"> • Check password and try wifi connection process again.
	No internet	<ul style="list-style-type: none"> • Verify internet access on other devices. If other devices have internet: <ul style="list-style-type: none"> - Unplug grill for 30 seconds and plug back in. Check for connection. - Unplug router for 30 seconds and plug back in. Check for connection. Perform WiFi setup in the application again - if the WiFi network does not appear in the scan list, the product may be too far from the router.
	Router is too far away from grill	<ul style="list-style-type: none"> • Perform WiFi setup in the application again - if the WiFi network does not appear in the scan list, the product may be too far from the router. With a mobile device in the area where the grill is located, check that there is internet access.
	Obstacles between router and grill	<ul style="list-style-type: none"> • Position grill such that the number of walls and objects between the grill and the router is minimized.
	No 2.4GHz wifi	<ul style="list-style-type: none"> • Grill only supports 2.4G WiFi networks. An alternate router is required.
Controller Failure <ul style="list-style-type: none"> • No power to the control console. • Barbecue starts ok but control screen goes blank, barbecue stops working. 	The unit is not plugged in.	<ul style="list-style-type: none"> • Check to be sure if cord is properly plugged into outlet. Plug into outlet and reassess.
	The power circuit fuse has tripped.	<ul style="list-style-type: none"> • Check if GFCI (RCBO/RCD) outlet or breaker has been tripped and reset circuit.
	<ul style="list-style-type: none"> • A power cord malfunction or failure. • Controller (PCB) malfunction. 	<ul style="list-style-type: none"> • Unplug the barbecue from power. Remove the Control Panel and ensure all wires are not damaged and are firmly connected, particularly the power cord. If wires are damaged, replace appropriate components and reassess. If wires are not damaged and connections are confirmed, please contact customer service for further assistance.
GFCI (RCBO/RCD) Issues <ul style="list-style-type: none"> • No power to the control console. • Barbecue starts ok but control screen goes blank, barbecue stops working. • GFCI reset button pops out on outlet. 	<ul style="list-style-type: none"> • Faulty GFCI outlet. • Moisture inside outlet. • Outlet not on a dedicated circuit. • Circuit breaker issues." 	<ul style="list-style-type: none"> • Unplug everything from the outlet. • Press the reset button on the outlet and ensure the test button returns to normal position. • Plug in and turn on barbecue for around 10 minutes, watch for GFCI tripping. • If GFCI did trip during the 10-minute period verify the amp draw of the GFCI (We recommend using a 13-amp GFCI). • If a 13-amp GFCI is being used and tripping still occurs, an electrician may be required. • If GFCI did not trip during the 10-minute period, and if you are using a second appliance on the same outlet, re-plug in and turn on the original second appliance. • If GFCI trips with the second appliance on, there may be an issue with the second appliance. • Plug a different appliance into the same outlet and turn the appliance on. • If tripping occurs with the different appliance an electrician may be required. Unplug everything from the outlet.

RENSEIGNEMENTS DE SÉCURITÉ IMPORTANTS

SYMBOLES DE SÉCURITÉ

Tout au long de ce mode d'emploi, des énoncés de **DANGER**, d'**AVERTISSEMENT** et de **MISE EN GARDE** servent à souligner des renseignements critiques et importants. Lisez et respectez ces énoncés pour assurer votre sécurité et prévenir tout dommage matériel.

Les énoncés sont définis ci-après.



MISE EN GARDE

MISE EN GARDE : Indique une situation potentiellement dangereuse ou une pratique dangereuse qui, si elle n'est pas évitée, pourrait entraîner des blessures de gravité légère ou moyenne.



AVERTISSEMENT

AVERTISSEMENT : Indique une situation potentiellement dangereuse qui, si elle n'est pas évitée, pourrait entraîner la mort ou des blessures graves.



DANGER

DANGER : Indique une situation dangereuse imminente qui, si elle n'est pas évitée, entraînera la mort ou des blessures graves.

INSTALLATEUR/MONTEUR :

Remettez ce manuel au consommateur.

CONSOMMATEUR :

Conservez ce manuel pour pouvoir le consulter ultérieurement.

Il incombe à l'assembleur/propriétaire d'assembler, d'installer et d'entretenir le barbecue.

Questions :

Si vous avez des questions pendant le montage ou l'utilisation de ce barbecue, contactez votre revendeur local.

RÉSERVÉ À L'USAGE EXTÉRIEUR

1. Réservé à l'usage extérieur.
2. Ne pas utiliser à l'intérieur ou pour la cuisson professionnelle.
3. N'utiliser l'appareil que dans un espace bien ventilé.



AVERTISSEMENT

- Ce manuel d'instructions contient des renseignements importants qui sont nécessaires pour assembler correctement l'appareil et l'utiliser sans danger.
- Lisez et suivez la totalité des avertissements et des instructions avant d'assembler et d'utiliser l'appareil.
- Conformez-vous à tous les avertissements et suivez toutes les instructions lorsque vous vous servez de l'appareil.
- conservez ce manuel pour pouvoir le consulter ultérieurement.



DANGER

- Ne jamais faire fonctionner cet appareil sans surveillance.
- Ne jamais faire fonctionner cet appareil à moins de 3 m (10 pi) d'une structure, d'un matériau combustible ou d'une autre bouteille de gaz.
- Ne jamais utiliser cet appareil à moins de 7,5 m (25 pi) d'un liquide inflammable.
- En cas d'incendie, éloignez-vous de l'appareil et appelez immédiatement le service d'incendie. Ne pas tenter d'éteindre un feu d'huile ou de graisse avec de l'eau. Le manquement à suivre ces instructions pourrait entraîner un incendie, une explosion ou un risque de brûlure, ce qui pourrait causer des dommages matériels, des blessures ou la mort.



AVERTISSEMENT

1. Ne pas entreposer ou utiliser d'essence ou d'autres liquides inflammables à proximité de cet appareil ou de tout autre appareil ménager.
2. Une bouteille de gaz qui n'est pas branchée pour l'utilisation ne doit pas être stockée à proximité de cet appareil ou de tout autre appareil ménager.



DANGER

Si vous détectez une odeur de gaz :

1. Coupez l'alimentation en gaz de l'appareil.
2. Eteignez toutes les flammes nues.
3. Ouvrez le couvercle.
4. Si l'odeur persiste, éloignez-vous de l'appareil et appelez immédiatement votre fournisseur de gaz ou le service incendie.



AVERTISSEMENT

1. Ne pas entreposer ou utiliser d'essence ou d'autres liquides inflammables à proximité de cet appareil ou de tout autre appareil ménager.
2. Une bouteille de gaz qui n'est pas branchée pour l'utilisation ne doit pas être stockée à proximité de cet appareil ou de tout autre appareil ménager.



AVERTISSEMENT

Pour utiliser votre appareil de façon sécuritaire et éviter les blessures graves :

L'UTILISER À L'EXTÉRIEUR SEULEMENT. NE JAMAIS L'UTILISER À L'INTÉRIEUR.

Lisez les instructions avant d'utiliser l'appareil.

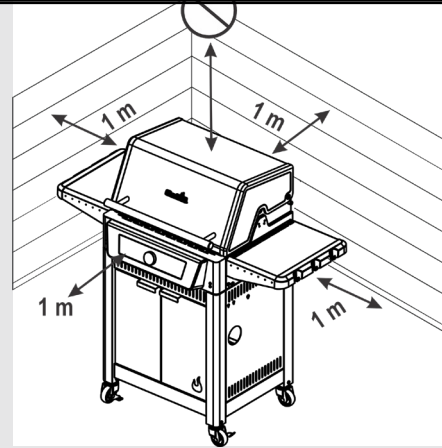
Suivez toujours ces instructions.

- Ne pas déplacer l'appareil pendant l'utilisation.
- Les pièces accessibles peuvent être très chaudes. Tenir les jeunes enfants à l'écart. Ne pas laisser les enfants utiliser l'appareil ou jouer à proximité.
- Fermer l'alimentation en gaz à la bouteille après l'utilisation.
- Cet appareil doit être gardé à l'écart des matières inflammables pendant l'utilisation.
- Ne pas boucher les trous sur les côtés ou à l'arrière de l'appareil.
- Vérifier régulièrement les flammes des brûleurs.
- Ne pas obstruer les ouvertures du venturi sur le brûleur.
- N'utiliser l'appareil que dans un espace bien ventilé. **Ne JAMAIS utiliser l'appareil dans un espace fermé, comme un abri pour autos, un garage, une véranda, une terrasse couverte ou sous toute structure aérienne.**
- Ne pas utiliser de charbon de bois ou de briquettes de céramique dans un appareil à gaz.

SOINS ET UTILISATION

- **NE PAS** couvrir les grilles avec du papier d'aluminium ou tout autre matériau. Cela bloquera la ventilation du brûleur et créera une condition potentiellement dangereuse qui pourrait causer des dommages matériels ou des blessures.
- Ce barbecue se rallume automatiquement lorsque le couvercle est fermé, ouvrez le couvercle avant le premier allumage.
- Ne pas utiliser l'appareil à moins de 1 m de distance des murs ou des surfaces. Maintenir une distance de 3 m par rapport aux objets susceptibles de s'enflammer ou aux sources d'inflammation, telles que les veilleuses des chauffe-eau, les appareils électriques sous tension, etc. Le stockage de gaz non enflammé à l'intérieur d'un appareil fermé est dangereux.
- Avant de déplacer la bouteille de gaz de sa position d'utilisation indiquée, toujours fermer le robinet de la bouteille de gaz et déconnecter le régulateur.
- Ne jamais utiliser l'appareil si la bouteille de gaz n'est pas dans la position appropriée indiquée.
- Ne pas modifier l'appareil. Toute modification est strictement interdite.
- Les pièces scellées ne doivent pas être manipulées par l'utilisateur. Ne pas démonter les injecteurs.

⚠ AVERTISSEMENT



- Avant de déplacer la bouteille de gaz de sa position d'utilisation indiquée, toujours fermer le robinet de la bouteille de gaz et déconnecter le régulateur.
- Ne jamais utiliser l'appareil si la bouteille de gaz n'est pas dans la position appropriée indiquée.
- Ne pas modifier l'appareil. Toute modification est strictement interdite. Les pièces scellées ne doivent pas être manipulées par l'utilisateur. Ne pas démonter les injecteurs.
- Ne pas utiliser le barbecue avec le couvercle fermé pendant la cuisson.

Le non-respect de l'ensemble des consignes du fabricant peut entraîner des blessures graves ou des dommages matériels importants.

Ne pas tenter de réparer ou de modifier le tuyau/robinet/régulateur pour corriger un défaut « présumé ». Toute modification apportée à cet assemblage annule votre garantie et crée un risque de fuite de gaz et d'incendie. N'utilisez que des pièces de rechange approuvées et fournies par le fabricant.

Ne pas couvrir les grilles avec du papier d'aluminium ou un autre matériau. Cela bloquera la ventilation du brûleur et créera une condition potentiellement dangereuse qui pourrait causer des dommages matériels ou des blessures.

Lisez et suivez toutes les consignes de sécurité, les instructions de montage et les directives d'utilisation et d'entretien ci-après avant de tenter de monter l'appareil et de cuisiner. Certaines pièces pourraient présenter des bords coupants. Le port de gants de protection est recommandé.

Feux de graisse

- Il n'est pas possible d'éteindre un feu de graisse en fermant le couvercle. Les barbecues sont bien ventilés pour des raisons de sécurité.
- N'utilisez pas d'eau sur un feu de graisse. Cela pourrait entraîner des blessures. Si un feu de graisse persistant se déclenche, mettez les boutons sur la position OFF et fermez le robinet de la bouteille de gaz.
- Si l'appareil n'a pas été nettoyé régulièrement, un feu de graisse qui pourrait endommager le produit est possible. Faites très attention lors du préchauffage ou de la combustion des résidus alimentaires afin d'éviter qu'un feu de graisse ne se développe. Suivez les instructions relatives au nettoyage général de l'appareil et au nettoyage du brûleur afin d'éviter les feux de graisse. La meilleure façon de prévenir les feux de graisse consiste à nettoyer régulièrement l'appareil.
- Ne laissez pas le barbecue sans surveillance pendant le préchauffage ou la combustion de résidus alimentaires sur la position MAX. Si le barbecue n'a pas été nettoyé régulièrement, un feu de graisse qui pourrait endommager le produit est possible.

SOINS ET UTILISATION

Conseils de sécurité

- Avant d'ouvrir le robinet de la bouteille de gaz, assurez-vous que le régulateur est bien serré.
- Lorsque vous n'utilisez pas l'appareil, fermez le contrôleur et le gaz.
- Utilisez des ustensiles pour barbecue à long manche pour éviter les brûlures et les éclaboussures. Portez des gants de protection lorsque vous manipulez des composants chauds.
- La charge maximale de l'étagère latérale est 4,5 kg.
- Le récipient à graisse (si l'appareil en est doté) doit être inséré dans l'appareil et vidé après chaque utilisation. Ne retirez pas le récipient à graisse avant que l'appareil n'ait complètement refroidi.
- Faites très attention lorsque vous ouvrez le couvercle, car de la vapeur chaude peut s'échapper.
- Soyez très prudent lorsque des enfants, des personnes âgées ou des animaux de compagnie se trouvent à proximité.
- Si vous remarquez que de la graisse ou une autre substance chaude dégoutte de l'appareil et tombe sur le robinet, le tuyau ou le régulateur, coupez immédiatement l'alimentation en gaz. Déterminez-en la cause, corrigez-la, puis nettoyez et inspectez le robinet, le tuyau et le régulateur avant de poursuivre. Effectuez un essai d'étanchéité.
- Ne rangez pas dans l'enceinte du chariot de l'appareil des objets ou des substances qui bloqueraient la circulation d'air de combustion vers le dessous du panneau de commande ou de la cuvette du foyer.
- **NE PAS** débrancher ou changer le réservoir de gaz à moins de 3 m d'une flamme nue ou d'une autre source d'inflammation.
- Cet appareil peut être utilisé par des personnes ayant des capacités physiques, sensorielles ou mentales réduites, ou qui manquent d'expérience et de connaissances, si quelqu'un les supervise ou leur a fourni des instructions concernant l'utilisation sécuritaire de l'appareil et si elles comprennent les dangers associés.
- Les enfants ne doivent pas jouer avec l'appareil.
- Le nettoyage et l'entretien par l'utilisateur ne doivent pas être effectués par des enfants sans surveillance.
- Si le cordon d'alimentation est endommagé, il doit être remplacé par le fabricant, son agent de service ou des personnes compétentes semblables afin d'éviter tout risque.

Positionnement de la bouteille

Les bouteilles placées dans l'appareil doivent avoir un diamètre maximal de 340 mm et une hauteur maximale, régulateur compris, de 400 mm. Les bouteilles plus grandes doivent être placées sous l'étagère latérale ou derrière le barbecue uniquement. Les bouteilles posées sur le sol ne doivent pas être placées sous la plaque chauffante.

Exigences relatives au régulateur

Un régulateur doit être utilisé avec cet appareil. Utilisez uniquement le régulateur de gaz fourni avec votre barbecue. Si un régulateur n'est pas fourni, utilisez uniquement un régulateur certifié selon la norme EN16129 (débit max. 1,5 kg/h) et approuvé pour votre pays et le gaz indiqué dans les caractéristiques techniques.

Exigences relatives au tuyau

N'utilisez que des tuyaux approuvés, certifiés conformes à la norme EN appropriée et ne dépassant pas 1,5 m de long. En Finlande, la longueur du tuyau ne doit pas dépasser 1,2 m. Avant chaque utilisation, vérifiez si les tuyaux sont coupés ou usés. Assurez-vous que le tuyau n'est pas coudé. Remplacez les tuyaux endommagés avant d'utiliser l'appareil. Remplacez le tuyau conformément aux exigences nationales.

Allumage avec l'allumeur

- **Ne vous penchez pas au-dessus du barbecue pendant l'allumage.**
- 1. Branchez le cordon d'alimentation c.a.
- 2. Ouvrez le couvercle lorsque vous allumez ou rallumez le barbecue.
- 3. OUVREZ le robinet de la bouteille de propane.
- 4. Appuyez sur le bouton d'alimentation pour mettre le contrôleur en marche.
- 5. Tournez le bouton à la température souhaitée.
- 6. Appuyez et relâchez le bouton pour allumer le barbecue. (Pour contrôler un seul côté du barbecue, voir les instructions dans Fonctionnement du barbecue)
- 7. Si l'allumage ne se produit pas, effacez le code d'erreur en appuyant sur le bouton d'alimentation et en le maintenant enfoncé pour éteindre le barbecue. Attendez cinq minutes et recommencez le processus d'allumage.

AVERTISSEMENT

- Fermez les contrôles et la bouteille de gaz lorsque vous n'utilisez pas l'appareil.
- Veillez à ce que le tuyau raccordé n'entre pas en contact avec des surfaces chaudes.

MISE EN GARDE

Si l'allumage ne se produit pas, effacez le code d'erreur en appuyant sur le bouton d'alimentation et en le maintenant enfoncé pour éteindre le barbecue. Attendez cinq minutes et recommencez le processus d'allumage. Si le brûleur ne s'allume pas pendant que le robinet est ouvert, le gaz continue de sortir du brûleur et pourrait s'allumer accidentellement, ce qui présente un risque de blessure.

Essai d'étanchéité des robinets, du tuyau et du régulateur

Effectuez un test d'étanchéité avant la première utilisation, au moins une fois par an et chaque fois que la bouteille est remplacée ou déconnectée.

1. Éteignez l'appareil.
2. Assurez-vous que le régulateur est bien raccordé à la bouteille de gaz.
3. Ouvrez le robinet de la bouteille de propane. Si vous entendez un bruit strident, coupez immédiatement le gaz. Il y a une fuite majeure au niveau du raccordement. Éliminez-la avant de poursuivre.
4. Brossez une solution savonneuse (mélange moitié savon, moitié eau) sur les raccords du tuyau.
5. Si des bulles qui « grossissent » apparaissent, il y a une fuite. Fermez immédiatement le robinet de la bouteille de gaz et vérifiez que les raccords sont bien serrés. Si vous ne parvenez pas à arrêter la fuite, ne tentez pas d'effectuer des réparations. Appelez-nous pour obtenir des pièces de rechange.
6. Coupez toujours le gaz à la bouteille après l'essai d'étanchéité.

SI L'APPAREIL NE S'ALLUME PAS

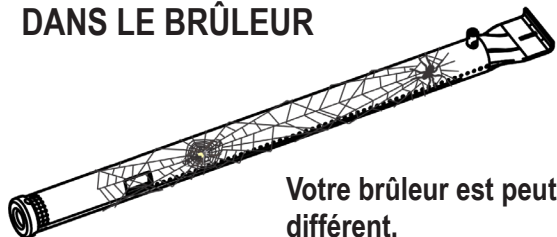
- Assurez-vous que le robinet de la bouteille de gaz est ouvert.
- Assurez-vous qu'il y a du gaz dans la bouteille.
- L'allumeur produit-il un bruit d'étincelles ? Ne fumez pas pendant le test d'étanchéité.
 1. Si oui, vérifiez la présence d'étincelles au niveau du brûleur.
 2. S'il n'y a pas d'étincelle, vérifiez si les fils sont endommagés ou desserrés.
- Si les fils sont en bon état, vérifiez que l'électrode n'est pas fissurée ou cassée et remplacez-la au besoin.
- Si le fil ou les électrodes sont recouverts de résidus de cuisson, nettoyez l'extrémité des électrodes avec une lingette imbibée d'alcool, au besoin.
- Au besoin, remplacez les fils.
- Vérifiez si la connexion des fils au niveau du contrôleur est desserrée.



MISE EN GARDE

ALERTE AUX ARAIGNÉES !

ARAIGNÉES ET NIDS DANS LE BRÛLEUR



Votre brûleur est peut-être différent.

- Si votre barbecue commence à être difficile à allumer ou la flamme est faible, vérifiez et nettoyez les tubes venturi et les brûleurs.
- Les araignées et les petits insectes peuvent créer des problèmes de « retour de flamme » en faisant des nids et pondant des œufs dans le tube venturi ou le brûleur du barbecue, ce qui bloque le débit de gaz. Le gaz accumulé peut s'allumer derrière le panneau de commande. Ce retour de flamme peut endommager votre barbecue et causer des blessures. Pour prévenir les retours de flamme et assurer un bon rendement, l'assemblage du brûleur et du tube venturi devrait être enlevé et nettoyé lorsque le barbecue n'a pas servi pendant une longue période.

Nettoyage de l'assemblage du brûleur

Suivez ces instructions pour nettoyer ou remplacer des pièces de l'assemblage du brûleur ou si vous éprouvez des difficultés à allumer le barbecue.

1. Fermez le robinet de la bouteille de gaz.
2. Enlevez les grilles de cuisson.
3. Enlevez les tubes de répartition et la quincaillerie qui fixe les brûleurs.
4. Détachez l'électrode du brûleur.
5. Soulevez prudemment chaque brûleur, en l'éloignant des ouvertures des soupapes.

Nous suggérons trois façons de nettoyer les tubes des brûleurs. Utilisez celle qui est la plus facile pour vous.

(A) Pliez un fil métallique raide (un cintre léger fonctionne bien) pour en faire un petit crochet. Faites passer le crochet dans chaque tube de brûleur à plusieurs reprises.



(B) Utilisez un goupillon à bouteille étroit au manche flexible (n'utilisez pas de brosse métallique en laiton). Faites passer la brosse dans chaque tube de brûleur à plusieurs reprises.

(C) Portez une protection pour les yeux : Utilisez un tuyau d'air pour forcer de l'air dans le tube du brûleur afin qu'il ressorte par les ports du brûleur. Vérifiez chaque port afin de vous assurer que de l'air sort de chaque trou.

6. Récurvez toute la surface du brûleur au moyen d'une brosse métallique pour enlever les résidus d'aliments et la saleté.
7. Nettoyez les ports bloqués au moyen d'un fil rigide comme un trombone déplié.
8. Vérifiez le brûleur pour déceler les dommages attribuables à l'usure et à la corrosion normales. Certains trous pourraient s'agrandir. Si des fissures ou des trous de grande taille sont observés, remplacez le brûleur.

9. Fixez l'électrode et le capteur de flamme au brûleur.
10. Remplacez prudemment les brûleurs.
11. Fixez les brûleurs aux supports sur le foyer.
12. Repositionnez les tubes de répartition et fixez-les de nouveau aux brûleurs. Remettez les grilles de cuisson en place.
13. Avant d'utiliser le barbecue de nouveau, effectuez un essai d'étanchéité et une vérification de la flamme du brûleur.

Nettoyage général de l'appareil

Un nettoyage périodique de ce barbecue est nécessaire, car des feux dans le barbecue peuvent se produire lorsque de la graisse et des débris alimentaires s'accumulent au fond du barbecue. Après chaque utilisation, enlevez les particules d'aliments restantes de la grille de cuisson et de l'intérieur du barbecue à l'aide d'une brosse Cool-Clean de Char-Broil. Ensuite, vous pouvez vaporiser généreusement le nettoyant pour grilles de Char-Broil sur la grille, le laisser agir pendant 10 minutes et l'essuyer à l'aide d'un chiffon humide ou d'une brosse. Nettoyez le barbecue une fois qu'il a refroidi.

- Ne prenez pas l'accumulation brune ou noire de graisse et de fumée pour de la peinture. Les intérieurs des barbecues au gaz ne sont pas peints à l'usine (et ne devraient jamais l'être). Appliquez une solution puissante de détergent et d'eau ou utilisez un produit de nettoyage pour appareils électroménagers avec une brosse à récurer sur les intérieurs du couvercle et du fond de l'appareil. Rincez et laissez sécher complètement à l'air libre. N'appliquez pas produit de nettoyage caustique pour appareils électroménagers ou fours aux surfaces peintes.
- **Pièces en plastique** : lavez-les à l'aide d'eau chaude savonneuse et essuyez-les pour les sécher. N'utilisez pas de produit de nettoyage abrasif, de produit dégraissant ou de nettoyant concentré pour appareils électroménagers sur les pièces en plastique. Cela pourrait endommager les pièces et causer leur défaillance.
- **Surfaces en porcelaine** : en raison de leur composition semblable à celle du verre, la plupart des résidus peuvent être essuyés avec une solution d'eau et de bicarbonate de soude ou du nettoyant pour grilles de Char-Broil. Utilisez une poudre à récurer non abrasive pour les taches tenaces.
- **Surfaces peintes** : lavez avec un détergent ou un produit de nettoyage doux et de l'eau chaude savonneuse ou utilisez le nettoyant pour grilles de Char-Broil. Séchez au moyen d'un chiffon doux non abrasif.
- **Surfaces de cuisson** : assurez-vous qu'aucune soie ne reste sur les surfaces de cuisson avant de procéder à la cuisson. Lorsque le barbecue est chaud, il est recommandé de ne nettoyer les surfaces de cuisson qu'à l'aide de la tête de remplacement Hot-Clean de Char-Broil (sur la brosse Cool-Clean Premium de Char-Broil).
- **Contrôle** : pour nettoyer la face du contrôleur, essuyez-la avec un chiffon doux et sec.

Réglage NETTOYAGE

Votre barbecue est équipé d'un réglage NETTOYAGE innovant qui permet de le nettoyer sans problème.

La chaleur élevée générée par les brûleurs réduira en cendres tous les débris alimentaires restants.

Suivez ces étapes :

- Une fois la cuisson terminée, alors que la température est encore réglée, appuyez sur l'icône NETTOYAGE et maintenez-la enfoncée jusqu'à ce que CLN s'affiche sur le contrôleur.
- Une fois le barbecue refroidi, utilisez une brosse Cool-Clean de Char-Broil pour enlever les débris restants et jetez les cendres.
- Pour obtenir des résultats encore plus brillants, utilisez le nettoyant pour grilles Char-Broil comme dernière étape. Vaporisez-le généreusement sur la grille, laissez-le agir pendant 10 minutes et essuyez à l'aide d'un chiffon humide ou d'une brosse.

SOINS ET UTILISATION

Pour votre sécurité

- Le bac à graisse doit être inséré dans l'appareil et vidé après chaque utilisation.
- Si vous avez un problème avec votre appareil, consultez la section « Dépannage ».

PRÉCAUTIONS IMPORTANTES

Lors de l'utilisation d'appareils électriques, des précautions de base doivent toujours être prises, y compris les suivantes :

LISEZ TOUTES LES INSTRUCTIONS

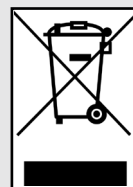
- Ne pas toucher les surfaces chaudes avec des mains non protégées. Utilisez les poignées et les boutons fournis pour le fonctionnement.
- Pour vous protéger contre les chocs électriques, n'immergez pas le cordon, les fiches ou le contrôleur dans l'eau ou tout autre liquide.
- Ne pas laisser l'appareil sans surveillance.
- Une surveillance étroite est nécessaire lorsqu'un appareil est utilisé par des enfants ou à proximité. Gardez les enfants et les animaux de compagnie loin de l'appareil en tout temps.
- Cet appareil n'est pas un jouet.
- Ne jamais laisser le barbecue sans surveillance lorsqu'il est **EN MARCHÉ**.
- Débranchez l'appareil de la prise lorsque vous n'utilisez pas l'appareil et avant de le déplacer ou de le nettoyer.
- Laissez l'appareil refroidir avant d'ajouter ou d'enlever des pièces. Ne jamais faire fonctionner un appareil dont le cordon ou la fiche sont endommagés, après avoir constaté une défectuosité ou si l'appareil a subi des dommages quelconques.
- L'utilisation d'accessoires non recommandés par le fabricant de l'appareil peut entraîner des blessures. N'utilisez que les accessoires recommandés par le fabricant.
- Ne pas laisser le cordon pendre au-dessus du bord de la table ou du comptoir ni toucher des surfaces chaudes.
- Ne pas utiliser l'appareil à des fins autres que celles pour lesquelles il a été conçu. Cet appareil n'est pas conçu pour servir d'appareil de chauffage et ne doit jamais être utilisé ainsi.
- Pour éviter que l'appareil soit éclaboussé ou tombe dans l'eau, ne pas l'utiliser à moins de 3 m d'une piscine, d'un étang ou d'une autre étendue d'eau.
- Gardez le barbecue et le contrôleur électrique au sec et à l'abri de la pluie en tout temps.
- Gardez les prises électriques au-dessus du sol et au sec.
- Ne pas utiliser d'eau ou un autre liquide à pulvériser pour nettoyer l'appareil sans d'abord avoir débranché le contrôleur électrique.

- Ne pas utiliser ou conserver d'essence, de kérosène ou d'autres liquides inflammables à moins de 7 mètres de ce barbecue lorsqu'il est en marche. Gardez les alentours de l'appareil dégagés et exempts de matériaux combustibles.
- Ne pas déplacer l'appareil pendant l'utilisation.
- Lors de la cuisson, l'appareil doit être placé sur une surface de niveau et stable, dans une zone exempte de tout matériau combustible.
- La consommation d'alcool, de médicaments avec ou sans ordonnance peut nuire à la capacité de l'utilisateur d'assembler correctement et d'utiliser l'appareil en toute sécurité.
- Ne pas immerger l'appareil dans l'eau pour le nettoyer.

Pour votre sécurité – si vous devez utiliser une rallonge :

- N'utilisez qu'un cordon pour l'extérieur d'une capacité nominale de 13 ampères ou plus.
- Utilisez la rallonge la plus courte possible. Ne pas brancher deux rallonges ou plus ensemble.
- Gardez les raccords secs et au-dessus du sol.
- Ne pas laisser le cordon pendre du bord d'une table ou d'autres articles, où des enfants pourraient tirer dessus ou il pourrait causer des chutes.

Ce produit ne doit pas être éliminé avec les déchets domestiques. Ce produit doit être éliminé dans un lieu autorisé pour le recyclage des appareils électriques et électroniques. En recueillant et en recyclant les déchets, vous contribuez à préserver les ressources naturelles et vous vous assurez que le produit est éliminé d'une manière saine et respectueuse de l'environnement.

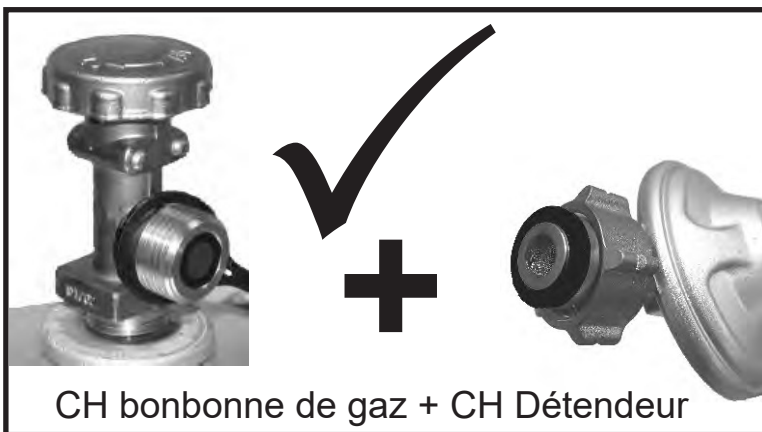


Entreposage de votre appareil

- Nettoyez les grilles de cuisson.
- Entrepochez l'appareil dans un endroit sec.
- Lorsque la bouteille de gaz est connectée à l'appareil, entrepochez celui-ci à l'extérieur, dans un espace bien ventilé et hors de la portée des enfants.
- Recouvrez l'appareil s'il est entrepoché à l'extérieur.
- Entrepochez l'appareil à l'intérieur SEULEMENT si la bouteille de gaz est fermée et déconnectée, sortie de l'appareil et entrepochée à l'extérieur. Lorsque vous retirez l'appareil de son lieu d'entrepochage, vérifiez que le brûleur n'est pas obstrué.

Pour une configuration facile, visitez notre site Web et accédez à la page produit d'Evolve Gas. Vous trouverez un guide de démarrage rapide dans votre langue maternelle pour vous aider à utiliser le contrôleur.

IMPORTANT! LISEZ S'IL VOUS PLAÎT!



Un régulateur doit être utilisé avec cet appareil. N'utilisez que le régulateur de gaz fourni avec votre barbecue. Si un détendeur n'est pas fourni, utilisez uniquement un détendeur certifié conforme à la norme EN16129 (débit max. 1,5 kg / h) et approuvé pour votre pays et le gaz spécifié dans les données techniques. Vous devez utiliser une bouteille de gaz à essence compatible avec votre régulateur.

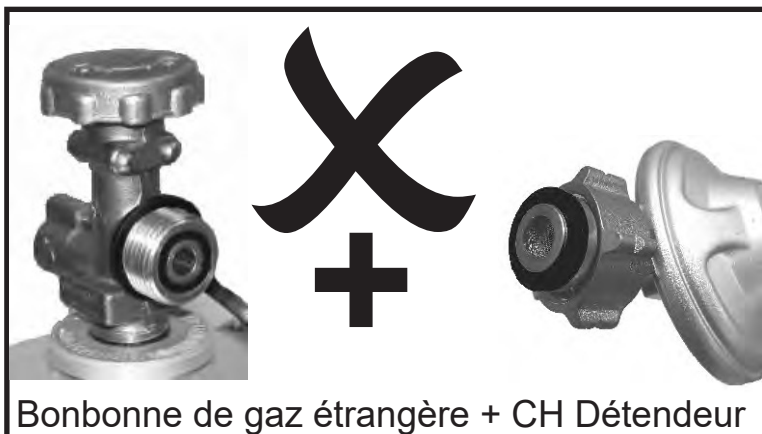
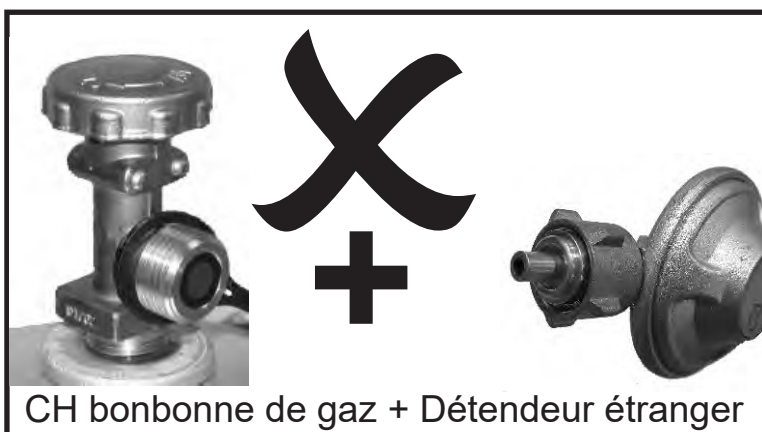
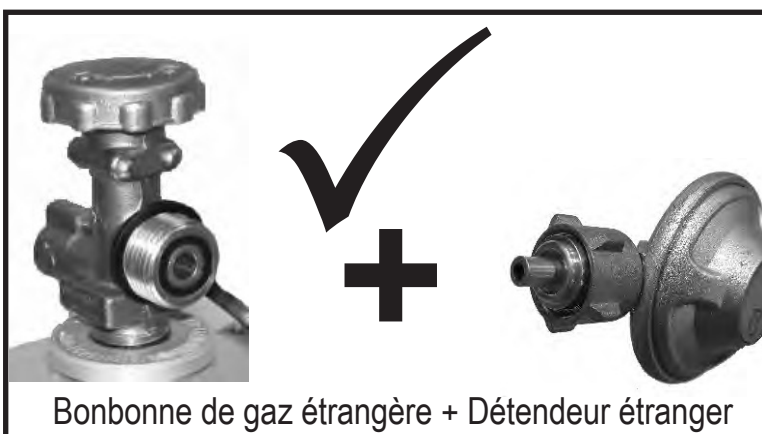
Uniquement Pour La Suisse

Il existe un risque d'incendie et d'explosion avec les appareils ménagers à gaz qui sont équipés avec des détendeurs étrangers, qui ne sont pas compatibles avec les réservoirs de gaz et les détendeurs disponibles en Suisse.

À cause des différents systèmes de fermeture, il est presque impossible de sceller proprement le détendeur avec le réservoir de gaz. Le gaz va ensuite s'échapper et peut être enflammé par flamme ou étincelles. Une explosion mortelle, et/ou dommages matériels peuvent en résulter. Réservoirs, détendeurs suisses et allemands ne peuvent pas être raccordés.

Pour des raisons de sécurité, veuillez vérifier le régulateur de votre barbecue, le Kit de raccordement de bouteilles et assurez-vous que ça correspond avec l'un des cas permis illustré dans les images.

Effectuez une vérification de fuite chaque fois que vous connectez votre barbecue au réservoir.



DONNÉES TECHNIQUES

DONNEES TECHNIQUES CHAR-BROIL, LLC				
Nom de l'appareil	Barbecue au gaz/gril au gaz			
Total de l'entrée thermique nominale	8,44 KW (614 g/h)		7,62 KW (554 g/h)	
Catégorie de gaz	I3+(28-30/37)	I3B/P(30)	I3B/P(50)	
Numéro de modèle	468921224		468922224	
Type de gaz	Butane	Propane	Butane, propane ou leurs mélanges	Butane, propane ou leurs mélanges
Pression du gaz	28-30 mbar	37 mbar	30 mbar	50 mbar
Taille de l'injecteur (dia. en mm)	Barbecue : 0,72 x 4 pcs		Barbecue : 0,72 x 4 pcs	Barbecue : 0,58 x 4 pcs
Taille de l'injecteur du brûleur latéral (dia. en mm)	Barbecue : S.O.		Barbecue : S.O.	Barbecue : S.O.
Caractéristiques électriques	220-240 V, 50 Hz, 5 W			
Pays de destination	GB, FR, BE, ES, IT, PT, CZ, SK, CH, CY, GR, IE, LT, LU, LV, TR, SI	DK, NO, NL, SE, FI, IS, CZ, IT, SK, BG, CY, EE, HR, HU, LT, LU, LV, MT, RO, SI, BE, GB, FR	AT, CH, DE, LU, SK	

DÉPANNAGE

Problème	Cause possible	Prévention/Solution
Le barbecue n'atteint pas la température souhaitée	Point de consigne modifié	<ul style="list-style-type: none"> • Vérifiez si le point de consigne a été abaissé.
	Couvercle laissé ouvert ou ouvert fréquemment	<ul style="list-style-type: none"> • Le fait de laisser le couvercle du barbecue ouvert prolonge le processus de chauffage et peut empêcher les capteurs de température de lire la bonne température. Gardez le couvercle fermé pendant la cuisson.
	Défaut du capteur de température.	<ul style="list-style-type: none"> • Si la température n'augmente pas, vérifiez les connexions des fils : <ul style="list-style-type: none"> • Éteignez et débranchez le barbecue. • Enlevez le panneau de commande et assurez-vous que tous les fils sont bien connectés. Remontez le panneau de commande et évaluez de nouveau la sonde de température en utilisant la même méthode. • Si la température n'augmente toujours pas, il est possible que votre capteur de température doive être remplacé. • Veillez téléphoner au service à la clientèle pour obtenir de l'aide.
La température de la sonde alimentaire n'apparaît pas à l'écran ou affiche une valeur déraisonnable	Pas complètement branché	<ul style="list-style-type: none"> • Enfoncez complètement la fiche de la sonde dans la prise de la sonde.
	Sonde alimentaire endommagée	<ul style="list-style-type: none"> • Branchez la sonde dans une autre prise de sonde et observez la valeur. Si rien n'apparaît ou si une valeur déraisonnable est affichée, remplacez la sonde alimentaire. Si l'affichage de la température est maintenant actif et à une valeur raisonnable, essayez à nouveau la prise initiale. Si l'affichage ne fonctionne toujours pas correctement, il est possible que la prise de la sonde doive être remplacée. • Veillez téléphoner au service à la clientèle pour obtenir de l'aide.
	Contamination de la prise de la sonde alimentaire	<ul style="list-style-type: none"> • Inspectez les prises de la sonde alimentaire qui n'indiquent pas de température à l'aide d'une lampe de poche afin de détecter d'éventuels débris. S'il y a des débris, assurez-vous que le barbecue n'est pas sous tension, puis retirez les débris avec précaution. Vérifiez que le connecteur de la sonde alimentaire est propre et sec. Insérez la sonde alimentaire dans une prise adjacente pour vérifier la lecture. Si aucune température n'est affichée dans le contrôleur pour aucune des prises, la sonde alimentaire est endommagée.
	La sonde alimentaire n'est pas correctement insérée dans l'aliment	<ul style="list-style-type: none"> • La pointe de la sonde doit être insérée dans la partie la plus épaisse de l'aliment à mesurer. La sonde alimentaire ne doit pas être en contact direct avec un os, car un tel contact empêcherait une lecture précise. La sonde alimentaire ne devrait pas être en contact avec les grilles de cuisson.
Le produit ne se connecte pas à Bluetooth	Le produit est trop éloigné du téléphone	<ul style="list-style-type: none"> • Terminez le processus d'appairage avec l'appareil à moins de 1,5 m (5 pi) du téléphone.
	Bluetooth du téléphone désactivé ou en mode Avion	<ul style="list-style-type: none"> • Dans les paramètres de votre appareil mobile, assurez-vous que Bluetooth est activé et que le mode Avion est désactivé. <ol style="list-style-type: none"> 1. Pour les appareils Android, assurez-vous que les services de localisation sont activés et que l'appli est autorisée à les utiliser. Cela permettra d'utiliser Bluetooth dans l'application. 2. Pour les appareils iPhone, vérifiez que Bluetooth est activé pour l'appli dans les réglages du système d'exploitation.
	Le produit est déjà appairé à un autre téléphone	<ul style="list-style-type: none"> • Utilisez l'appareil mobile d'origine appairé au produit ou réinitialisez les connexions du barbecue. Si vous réinitialisez la connexion au barbecue, retirez d'abord le produit des réglages Bluetooth de l'appareil mobile. Vous pouvez également désactiver Bluetooth sur l'appareil mobile précédent pendant le processus d'appairage. • Pour réinitialiser la connexion du barbecue, appuyez sur le bouton de réglage et tenez-le enfoncé pendant 10 secondes. Un bip indique que la réinitialisation est terminée. Effectuez ensuite la procédure d'appairage de Bluetooth sur l'appareil.
	Le produit est déjà appairé à ce téléphone	<ul style="list-style-type: none"> • Éteignez le produit et fermez l'appli. Rallumez le produit et rouvrez l'appli. Si le produit n'est toujours pas connecté à Bluetooth, retirez le produit des réglages Bluetooth de l'appareil mobile. Sur le barbecue, appuyez sur le barbecue et gardez-le enfoncé jusqu'à ce qu'il émette un bip pour effacer les réglages Bluetooth du barbecue et redémarrer le processus d'appairage.

DÉPANNAGE

Problème	Cause possible	Prévention/Solution
Le produit ne se connecte pas à WiFi	Mot de passe du routeur incorrect	<ul style="list-style-type: none"> Vérifiez le mot de passe et réessayez la connexion à WiFi.
	Pas d'Internet	<ul style="list-style-type: none"> Vérifier l'accès à Internet sur d'autres appareils. Si ces appareils ont accès à Internet : <ul style="list-style-type: none"> Débranchez le barbecue pendant 30 secondes et rebranchez-le. Vérifiez la connexion. Débranchez le routeur pendant 30 secondes et rebranchez-le. Vérifiez la connexion. Effectuez à nouveau la configuration WiFi dans l'application – si le réseau WiFi n'apparaît pas dans la liste de balayage, il se peut que le produit soit trop éloigné du routeur.
	Le routeur est trop éloigné du barbecue	<ul style="list-style-type: none"> Effectuez à nouveau la configuration WiFi dans l'application – si le réseau WiFi n'apparaît pas dans la liste de balayage, il se peut que le produit soit trop éloigné du routeur. En utilisant un appareil mobile dans les alentours du barbecue, vérifiez s'il y a un accès à Internet.
	Obstacles entre le routeur et le barbecue	<ul style="list-style-type: none"> Placez le barbecue de manière à réduire au minimum le nombre de murs et d'objets entre le barbecue et le routeur.
	Pas de WiFi 2,4GHz	<ul style="list-style-type: none"> Le barbecue ne prend en charge que les réseaux WiFi 2,4G. Un autre routeur est nécessaire.
Défaillance du contrôleur <ul style="list-style-type: none"> Pas d'alimentation de la console de commande. Le barbecue démarre bien, mais l'écran de contrôle s'éteint et le barbecue ne fonctionne plus. 	L'unité n'est pas branchée.	<ul style="list-style-type: none"> Vérifiez que le cordon est correctement branché sur la prise. Branchez-le sur la prise et réévaluez.
	Le fusible du circuit d'alimentation s'est déclenché.	<ul style="list-style-type: none"> Vérifiez si la prise dotée d'un disjoncteur de fuite de terre (RCBO/RCD) ou le disjoncteur s'est déclenché et réinitialisez le circuit.
	<ul style="list-style-type: none"> Défaillance ou panne du cordon d'alimentation. Défaillance du contrôleur (PCB). 	<ul style="list-style-type: none"> Débranchez le barbecue de l'alimentation. Enlevez le panneau de commande et assurez-vous que les fils ne sont pas endommagés et sont tous bien connectés, surtout le cordon d'alimentation. Si des fils sont endommagés, remplacez les composants appropriés et réévaluez. Si les fils ne sont pas endommagés et les connexions sont confirmées, veuillez prendre contact avec le service à la clientèle pour obtenir de l'aide.
Problèmes avec le disjoncteur de fuite de terre (RCBO/RCD) <ul style="list-style-type: none"> Pas d'alimentation de la console de commande. Le barbecue démarre bien, mais l'écran de contrôle s'éteint et le barbecue ne fonctionne plus. Le bouton de réinitialisation du disjoncteur de fuite de terre ressort sur la prise. 	<ul style="list-style-type: none"> Prise dotée d'un disjoncteur de fuite de terre défectueuse. Humidité dans la prise. La prise n'est pas sur un circuit dédié. Problèmes de disjoncteur. 	<ul style="list-style-type: none"> Débranchez tout de la prise. Appuyez sur le bouton de réinitialisation de la prise et assurez-vous que le bouton de test revient en position normale. Branchez le barbecue et allumez-le pendant environ 10 minutes, surveillez le déclenchement du disjoncteur de fuite de terre. Si le disjoncteur de fuite de terre s'est déclenché pendant la période de 10 minutes, vérifiez son intensité (nous recommandons d'utiliser un disjoncteur de fuite de terre de 13 ampères). Si un disjoncteur de fuite de terre de 13 ampères est utilisé et que des déclenchements se produisent encore, il faudra peut-être faire appel à un électricien. Si le disjoncteur de fuite de terre ne s'est pas déclenché pendant la période de 10 minutes, et si vous utilisez un deuxième appareil sur la même prise, rebranchez et allumez le deuxième appareil d'origine. Si le disjoncteur de fuite de terre se déclenche alors que le deuxième appareil est allumé, il peut y avoir un problème avec le deuxième appareil. Branchez un autre appareil sur la même prise et mettez-le en marche. Si un déclenchement se produit avec cet autre appareil, il faudra peut-être faire appel à un électricien.

WICHTIGE SICHERHEITSHINWEISE

SICHERHEITSSYMBOL

GEFAHR, WARNUNG und VORSICHT In dieser Bedienungsanleitung werden durchgehend Aussagen verwendet, um kritische und wichtige Informationen hervorzuheben. Lesen und befolgen Sie diese Anweisungen, um die Sicherheit zu gewährleisten und Sachschäden zu vermeiden.

Die Aussagen werden im Folgenden definiert.



VORSICHT

VORSICHT: Weist auf eine potenziell gefährliche Situation oder unsichere Vorgehensweise hin, die, wenn sie nicht vermieden wird, zu leichten oder mittelschweren Verletzungen führen kann.



WARNUNG

WARNUNG: Weist auf eine potenziell gefährliche Situation hin, die, wenn sie nicht vermieden wird, zum Tod oder zu schweren Verletzungen führen kann.



GEFAHR

GEFAHR: Weist auf eine unmittelbar gefährliche Situation hin, die, wenn sie nicht vermieden wird, zum Tod oder zu schweren Verletzungen führt.

INSTALLATEUR/MONTEUR:

Lassen Sie dieses Handbuch beim Verbraucher.

VERBRAUCHER:

Bewahren Sie dieses Handbuch zum späteren Nachschlagen auf.

Es liegt in der Verantwortung des Monteurs/Eigentümers, den Grill zusammenzubauen, zu installieren und zu warten.

Fragen:

Wenn Sie während der Montage oder Verwendung dieses Grills Fragen haben, wenden Sie sich an Ihren Händler vor Ort.

NUR FÜR DIE VERWENDUNG IM FREIEN

1. Nur für die Verwendung im Freien.
2. Nicht in Innenräumen oder zum gewerblichen Grillen verwenden.
3. Benutzen Sie das Gerät nur in gut belüfteten Räumen.



WARNUNG

- Diese Bedienungsanleitung enthält wichtige Informationen, die für die ordnungsgemäße Montage und den sicheren Gebrauch des Geräts erforderlich sind.
- Lesen und befolgen Sie alle Warnhinweise und Anweisungen, bevor Sie das Gerät zusammenbauen und benutzen.
- Befolgen Sie alle Warnungen und Anweisungen, wenn Sie das Gerät benutzen.
- Bewahren Sie dieses Handbuch zum späteren Nachschlagen auf.



GEFAHR

- Betreiben Sie dieses Gerät niemals unbeaufsichtigt.
- Betreiben Sie dieses Gerät niemals in einem Umkreis von 3 m (10 Fuß) von Gebäuden, brennbaren Materialien oder anderen Gasflaschen.
- Betreiben Sie dieses Gerät niemals in einem Umkreis von 7,5 m (25 Fuß) um brennbare Flüssigkeiten.
- Sollte es zu einem Brand kommen, halten Sie sich vom Gerät fern und verständigen Sie sofort die Feuerwehr. Versuchen Sie nicht, einen Öl- oder Fettbrand mit Wasser zu löschen. Die Nichtbeachtung dieser Anweisungen kann zu Bränden, Explosionen oder Verbrennungen führen, was zu Sachschäden, Verletzungen oder zum Tod führen kann.



WARNUNG

1. Lagern oder verwenden Sie kein Benzin oder andere brennbare Flüssigkeiten in der Nähe dieses oder eines anderen Geräts.
2. Eine nicht angeschlossene Gasflasche darf nicht in der Nähe dieses oder eines anderen Geräts gelagert werden.



GEFAHR

Wenn Sie Gas riechen:

1. Schalten Sie die Gaszufuhr des Geräts
2. Löschen Sie alle offenen Flammen.
3. Öffnen Sie den Deckel.
4. Wenn der Geruch anhält, halten Sie sich vom Gerät fern und rufen Sie sofort Ihren Gaslieferanten oder Ihre Feuerwehrabteilung an.



WARNUNG

1. Lagern oder verwenden Sie kein Benzin oder andere brennbare Flüssigkeiten in der Nähe dieses oder eines anderen Geräts.
2. Eine nicht angeschlossene Gasflasche darf nicht in der Nähe dieses oder eines anderen Geräts gelagert werden.



WARNUNG

Zur sicheren Verwendung Ihres Geräts und zur Vermeidung schwerer Verletzungen:

NUR FÜR DIE VERWENDUNG IM FREIEN NIEMALS IM INNENBEREICH VERWENDEN.

Lesen Sie die Anweisungen, bevor Sie das Gerät verwenden.

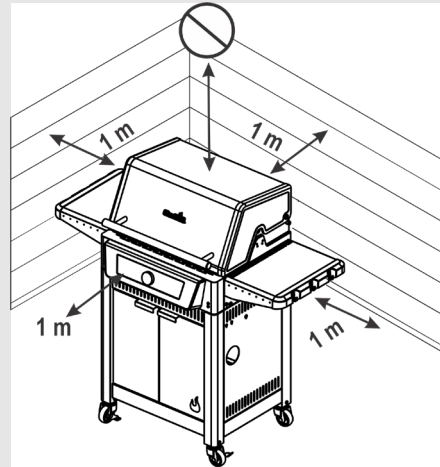
Befolgen Sie stets diese Anweisungen.

- Bewegen Sie das Gerät während des Gebrauchs nicht.
- Zugängliche Teile können sehr heiß sein. Halten Sie kleine Kinder fern. Lassen Sie Kinder das Gerät nicht bedienen oder in dessen Nähe spielen.
- Schalten Sie nach Gebrauch die Gaszufuhr an der Flasche ab.
- Dieses Gerät muss während des Gebrauchs von brennbaren Materialien ferngehalten werden.
- Blockieren Sie keine Löcher an den Seiten oder an der Rückseite des Geräts.
- Überprüfen Sie die Brennerflammen regelmäßig.
- Die Venturi-Öffnungen am Brenner nicht blockieren.
- Benutzen Sie das Gerät nur in gut belüfteten Räumen. **NIEMALS** in geschlossenen Räumen wie Carport, Garage, Veranda, überdachter Terrasse oder unter einer Überkopfkonstruktion jeglicher Art verwenden.
- Verwenden Sie in einem Gasgerät keine Holzkohle oder Keramikbriketts.

PFLEGE & NUTZUNG

- **NICHT** die Roste mit Aluminiumfolie oder einem anderen Material abdecken. Dadurch wird die Brennerbelüftung blockiert und ein potenziell gefährlicher Zustand geschaffen, der zu Sachschäden und/oder Personenschäden führen kann.
- Dieser Grill entzündet sich bei geschlossenem Deckel automatisch erneut. Öffnen Sie den Deckel vor der ersten Zündung.
- Verwenden Sie das Gerät in einer Entfernung von mindestens 1 m von jeder Wand oder Oberfläche. Halten Sie einen Abstand von 3 m zu Objekten ein, die Feuer fangen oder zu Zündquellen werden können, wie z. B. Kontrolllampen an Warmwasserbereitern, stromführenden Elektrogeräten usw. Die Lagerung von nicht entzündetem Gas in einem geschlossenen Gerät ist gefährlich.
- Schalten Sie die Gasflasche immer ab und trennen Sie den Regler, bevor Sie die Gasflasche aus der angegebenen Betriebsposition bewegen.
- Betreiben Sie das Gerät niemals, wenn die Gasflasche nicht richtig positioniert ist.
- Nehmen Sie an dem Gerät keine Modifikationen vor. Jegliche Modifikation ist strengstens untersagt.
- Versiegelte Teile dürfen vom Benutzer nicht manipuliert werden. Zerlegen Sie keine Injektoren nicht.

⚠️ WARNUNG



- Schalten Sie die Gasflasche immer ab und trennen Sie den Regler, bevor Sie die Gasflasche aus der angegebenen Betriebsposition bewegen.
- Betreiben Sie das Gerät niemals, wenn die Gasflasche nicht richtig positioniert ist.
- Nehmen Sie an dem Gerät keine Modifikationen vor. Jegliche Modifikation ist strengstens untersagt. Versiegelte Teile dürfen vom Benutzer nicht manipuliert werden. Zerlegen Sie die Injektoren nicht.
- Benutzen Sie den Grill während des Grillens nicht mit geschlossenem Deckel.

Die Nichtbeachtung aller Anweisungen des Herstellers kann zu schweren Personen- und/oder Sachschäden führen.

Versuchen Sie nicht, den Schlauch/das Ventil/den Regler wegen eines „vermuteten“ Defekts zu reparieren oder zu ändern. Jede Änderung an dieser Baugruppe führt zum Erlöschen Ihrer Garantie und birgt das Risiko eines Gaslecks und Brands. Verwenden Sie nur autorisierte Ersatzteile, die vom Hersteller geliefert werden.

Decken Sie die Gitterroste nicht mit Aluminiumfolie oder einem anderen Material ab. Dadurch wird die Belüftung des Brenners blockiert und ein potenziell gefährlicher Zustand verursacht, der zu Sachschäden und/oder Personenschäden führt.

Lesen und befolgen Sie alle Sicherheitshinweise, Montageanweisungen sowie Gebrauchs- und Pflegehinweise, bevor Sie dem Zusammenbau und dem Grillen beginnen.

Einige Teile können scharfe Kanten enthalten. Das Tragen von Schutzhandschuhen wird empfohlen.

Fettbrände

- Das Löschen von Fettbränden durch Schließen des Deckels ist nicht möglich. Grills sind aus Sicherheitsgründen gut belüftet.
- Bei Fettbränden kein Wasser verwenden, da dies zu Verletzungen führen kann. Wenn sich ein anhaltender Fettbrand entwickelt, drehen Sie die Knöpfe und die Gasflasche aus.
- Wenn das Gerät nicht regelmäßig gereinigt wird, kann es zu einem Fettbrand kommen, der das Produkt beschädigen kann. Achten Sie beim Vorheizen oder Abbrennen von Speiseresten darauf, dass kein Fettbrand entsteht. Befolgen Sie die Anweisungen zur allgemeinen Reinigung des Geräts und der Brennerbaugruppe, um Fettbrände zu verhindern. Die beste Vorbeugung gegen Fettbrände ist die regelmäßige Reinigung des Gerätes.
- Lassen Sie den Grill beim Vorheizen oder Abbrennen von Speiseresten auf MAX nicht unbeaufsichtigt. Wenn der Grill nicht regelmäßig gereinigt wird, kann es zu einem Fettbrand kommen, der das Produkt beschädigen kann.

PFLEGE & NUTZUNG

Sicherheitstipps

- Bevor Sie das Gasflaschenventil öffnen, prüfen Sie den Regler auf Dichtigkeit.
- Wenn das Gerät nicht verwendet wird, schalten Sie die Steuerung und das Gas aus.
- Verwenden Sie Grillutensilien mit langem Griff, um Verbrennungen und Spritzer zu vermeiden. Tragen Sie Schutzhandschuhe, wenn Sie mit heißen Komponenten arbeiten.
- Die maximale Belastung für die Seitenablage beträgt 4,5 kg.
- Der Fettbecher (falls vorhanden) muss in das Gerät eingesetzt und nach jedem Gebrauch geleert werden. Entfernen Sie den Fettbecher erst, wenn das Gerät vollständig abgekühlt ist.
- Seien Sie beim Öffnen des Deckels sehr vorsichtig, da heißer Dampf austreten kann.
- Seien Sie sehr vorsichtig, wenn Kinder, ältere Menschen oder Haustiere in der Nähe sind.
- Wenn Sie bemerken, dass Fett oder anderes heißes Material vom Gerät auf das Ventil, den Schlauch oder den Regler tropft, schalten Sie die Gaszufuhr sofort ab. Bestimmen Sie die Ursache, beheben Sie sie, reinigen und inspizieren Sie dann Ventil, Schlauch und Regler, bevor Sie fortfahren. Führen Sie eine Dichtheitsprüfung durch.
- Bewahren Sie im Gehäuse des Gerätewagens keine Gegenstände oder Materialien auf, die den Verbrennungsluftstrom zur Unterseite des Bedienfelds oder der Feuerboxschale blockieren könnten.
- Trennen oder wechseln Sie den Gasbehälter **NICHT** innerhalb von 3 m von einer offenen Flamme oder einer anderen Zündquelle.
- Dieses Gerät kann von Personen mit eingeschränkten physischen, sensorischen oder geistigen Fähigkeiten oder einem Mangel an Erfahrung und Wissen verwendet werden, sofern sie beaufsichtigt oder in die sichere Verwendung des Geräts eingewiesen wurden und die damit verbundenen Gefahren verstehen
- Kindern ist es verboten, mit dem Gerät zu spielen.
- Reinigung und Wartung dürfen nicht von Kindern ohne Aufsicht durchgeführt werden.
- Wenn das Netzkabel beschädigt ist, muss es vom Hersteller, seinem Kundendienstmitarbeiter oder ähnlich qualifizierten Personen ausgetauscht werden, um Gefahren zu vermeiden.

Platzierung von Gasflaschen

In das Gerät eingesetzte Gasflaschen dürfen einen maximalen Durchmesser von 340 mm und eine maximale Höhe, einschließlich Regler, von 400 mm aufweisen. Größere Gasflaschen dürfen nur unter der Seitenablage oder hinter dem Grill platziert werden. Auf dem Boden stehende Gasflaschen dürfen nicht unter die Heizplatte gestellt werden.

Anforderungen an die Regler

Bei diesem Gerät muss ein Regler verwendet werden. Verwenden Sie nur den mit Ihrem Grill gelieferten Gasregler. Wenn kein Regler mitgeliefert wird, verwenden Sie nur Regler, die gemäß EN16129 zertifiziert sind (Durchflussrate max. 1,5 kg/h) und für Ihr Land und in den technischen Daten angegebene Gas zugelassen sind.

Schlauchanforderungen

Verwenden Sie nur zugelassene Schläuche, die nach der entsprechenden EN-Norm zertifiziert sind und eine Länge von nicht mehr als 1,5 m aufweisen. Für Finnland darf die Schlauchlänge 1,2 m nicht überschreiten. Überprüfen Sie vor jedem Gebrauch, ob die Schläuche eingeschnitten oder abgenutzt sind. Stellen Sie sicher, dass der Schlauch nicht geknickt ist. Ersetzen Sie beschädigte Schläuche, bevor Sie das Gerät verwenden. Tauschen Sie den Schlauch gemäß den nationalen Vorschriften aus.

Zünderbeleuchtung

- **Lehnen Sie sich beim Anzünden nicht über den Grill.**
- 1. Stecken Sie das Netzkabel ein.
- 2. Öffnen Sie den Deckel beim Anzünden oder Nachzünden.
- 3. Schalten Sie das Gas an der Gasflasche ein.
- 4. Drücken Sie den Netzschalter, um die Steuerung einzuschalten.
- 5. Drehen Sie den Knopf auf die gewünschte Temperatur.
- 6. Drücken Sie den Knopf und lassen Sie ihn los, um den Grill zu zünden. (Um nur eine Seite des Grills zu steuern, lesen Sie die Anweisungen unter Grillbetrieb.)
- 7. Wenn die Zündung nicht erfolgt, löschen Sie den Fehlercode, indem Sie den Netzschalter gedrückt halten, um den Grill auszuschalten. Warten Sie 5 Minuten und wiederholen Sie den Anzündvorgang.



WARNUNG

- Schalten Sie die Bedienelemente und die Gasflasche aus, wenn Sie sie nicht verwenden.
- Achten Sie darauf, dass der angeschlossene Schlauch keine warmen Oberflächen berührt.



VORSICHT

Wenn die Zündung nicht erfolgt, löschen Sie den Fehlercode, indem Sie den Netzschalter gedrückt halten, um den Grill auszuschalten. Warten Sie 5 Minuten und wiederholen Sie den Anzündvorgang. Wenn der Brenner bei geöffnetem Ventil nicht zündet, strömt weiterhin Gas aus dem Brenner und könnte sich unbeabsichtigt entzünden, was zu Verletzungen führen kann.

Dichtheitsprüfventile, Schlauch und Regler

Dichtheitsprüfung vor dem ersten Gebrauch, mindestens einmal im Jahr und bei jedem Flaschenwechsel oder jeder Flaschentrennung.

1. Gerät ausschalten.
2. Stellen Sie sicher, dass der Regler fest mit der Gasflasche verbunden ist.
3. Schalten Sie Gas ein. Wenn Sie ein rauschendes Geräusch hören, schalten Sie das Gas sofort aus. Es gibt ein großes Leck an der Verbindung. Beheben Sie es, bevor Sie fortfahren.
4. Seifenlösung (Mischung aus halb Seife und halb Wasser) auf die Schlauchanschlüsse bürsten.
5. Treten sich vergrößernde Blasen auf, liegt ein Leck vor. Stellen Sie die Gaszufuhr an der Flasche sofort ab und überprüfen Sie die Dichtheit der Anschlüsse. Wenn das Leck nicht gestoppt werden kann, versuchen Sie nicht, es zu reparieren. Fordern Sie Ersatzteile an.
6. Schalten Sie nach der Dichtheitsprüfung immer die Gaszufuhr an der Flasche ab.

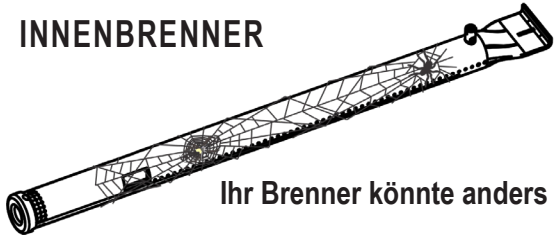
WENN DAS GERÄT SICH NICHT ENTZÜNDET

- Stellen Sie sicher, dass die Gasflasche an der Flasche aufgedreht ist.
- Stellen Sie sicher, dass sich Gas in der Flasche befindet.
- Gibt der Zünder Funkengeräusche von sich? Während der Dichtheitsprüfung nicht rauchen.
 1. Wenn ja, prüfen Sie, ob am Brenner ein Funke vorhanden ist.
 2. Wenn kein Funke vorhanden ist, prüfen Sie, ob die Kabel beschädigt oder locker sind.
- Wenn die Drähte in Ordnung sind, prüfen Sie, ob die Elektrode gerissen oder gebrochen ist, und ersetzen Sie diese bei Bedarf.
- Wenn Drähte oder Elektroden mit Kochrückständen bedeckt sind, reinigen Sie die Elektrodenspitze bei Bedarf mit einem Alkoholtupfer.
- Ersetzen Sie bei Bedarf die Drähte.
- Überprüfen Sie, ob die Kabelverbindung an der Steuerung locker ist.



VORSICHT SPINNENALARM!

SPINNE UND NETZE INNENBRENNER



Ihr Brenner könnte anders sein.

- Wenn sich Ihr Grill nur schwer anzünden lässt oder die Flamme schwach ist, überprüfen und reinigen Sie die Belüftungsöffnungen und Brenner.
- Spinnen oder kleine Insekten sind dafür bekannt, dass sie „Flashback“-Probleme verursachen, indem sie Nester bauen und Eier in die Venturidüse oder den Brenner des Grills legen, wodurch der Gasfluss behindert wird. Das Reservegas kann sich hinter dem Bedienfeld entzünden. Dieser Rückschlag kann Ihren Grill beschädigen und Verletzungen verursachen. Um Rückzündungen zu vermeiden und eine gute Leistung zu gewährleisten, sollten die Brenner- und Venturirohr-Baugruppe entfernt und gereinigt werden, wenn der Grill längere Zeit im Leerlauf war.

Reinigung der Brennerbaugruppe

Befolgen Sie diese Anweisungen, um Teile der Brennerbaugruppe zu reinigen und/oder auszutauschen oder wenn Sie Probleme beim Zünden des Grills haben.

1. Schalten Sie das Gas an der Flüssiggasflasche aus.
2. Grillroste entfernen.
3. Entfernen Sie die Überlaufrohre und Befestigungsteile der Brenner.
4. Lösen Sie die Elektrode vom Brenner.
5. Heben Sie jeden Brenner vorsichtig von den Ventilöffnungen weg. Wir schlagen drei Möglichkeiten vor, die Brennerrohre zu reinigen. Verwenden Sie das für Sie einfachste.
 - (A) Biegen Sie einen steifen Draht (ein leichter Kleiderbügel funktioniert gut) in einen kleinen Haken. Führen Sie den Haken mehrmals durch jedes Brennerrohr.
- (B) Verwenden Sie eine schmale Flaschenbürste mit flexiblen Griff (verwenden Sie keine Messingdrahtbürste). Führen Sie die Bürste mehrmals durch jedes Brennerrohr.
- (C) **Augenschutz tragen:** Verwenden Sie einen Luftschlauch, um Luft in das Brennerrohr und aus den Brenneröffnungen zu drücken. Überprüfen Sie jeden Anschluss, um sicherzustellen, dass Luft aus jedem Loch austritt.
6. Drahtbürsten Sie die gesamte Außenfläche des Brenners, um Speisereste und Schmutz zu entfernen.
7. Reinigen Sie alle blockierten Anschlüsse mit einem steifen Draht wie einer offenen Büroklammer.
8. Überprüfen Sie den Brenner auf Schäden durch normalen Verschleiß und Korrosion, einige Löcher können sich vergrößern. Wenn große Risse oder Löcher gefunden werden, ersetzen Sie den Brenner.
9. Befestigen Sie Elektrode und Flammensensor am Brenner.

10. Setzen Sie die Brenner vorsichtig wieder ein.
11. Befestigen Sie die Brenner an den Halterungen am Feuerraum.
12. Bringen Sie die Verschleppungsschläuche wieder an und befestigen Sie sie an den Brennern. Tauschen Sie die Grillroste aus.
13. Bevor Sie erneut auf dem Grill grillen, führen Sie einen „Dichtheitstest“ und eine „Brennerflammenprüfung“ durch.

Allgemeine Gerätereinigung

Eine regelmäßige Reinigung dieses Grills ist erforderlich, da Grillbrände entstehen können, wenn sich Fett und Speisereste am Boden des Grills ansammeln. Entfernen Sie nach jedem Gebrauch alle verbleibenden Speisereste vom Grillrost und im Inneren des Grills mit einer Char-Broil Cool-Clean-Bürste. Anschließend können Sie Char-Broil Grate Cleaner großzügig auf den Rost sprühen, 10 Minuten einwirken lassen und mit einem feuchten Tuch oder einer Bürste abwischen. Führen Sie die Grillreinigung durch, nachdem der Grill abgekühlt ist.

- Verwechseln Sie braune oder schwarze Ansammlungen von Fett und Rauch nicht mit Farbe. Die Innenbereiche von Gasgrills sind werksseitig nicht lackiert (und sollten auch nie lackiert werden). Tragen Sie eine starke Lösung aus Reinigungsmittel und Wasser auf oder verwenden Sie einen Gerätereiniger mit Scheuerbürste auf der Innenseite des Gerätedeckels und der Unterseite. Spülen Sie sie ab und lassen Sie sie vollständig an der Luft trocknen. Tragen Sie keinen ätzenden Geräte-/Ofenreiniger auf lackierte Oberflächen auf.
- **Kunststoffteile:** Mit warmem Seifenwasser waschen und trocken abwischen. Verwenden Sie für Kunststoffteile keine Scheuermittel, Entfetter oder konzentrierten Gerätereiniger. Dies kann zur Beschädigung und zum Ausfall von Teilen führen.
- **Porzellanoberflächen:** Aufgrund der glasähnlichen Zusammensetzung können die meisten Rückstände mit einer Natron-Wasser-Lösung, Glasreiniger oder Char-Broil Grate Cleaner abgewischt werden. Verwenden Sie nicht scheuerndes Scheuermittel für hartnäckige Flecken.
- **Lackierte Oberflächen:** Mit einem milden Reinigungsmittel oder Reinigungser und warmem Seifenwasser oder Char-Broil Grill Cleaner waschen. Wischen Sie mit einem weichen, nicht scheuernden Tuch trocken.
- **Grillflächen:** Stellen Sie vor dem Grillen sicher, dass keine losen Borsten auf den Grillflächen zurückbleiben. Während der Grill heiß ist, wird die Reinigung der Kochflächen nur mit dem Char-Broil Hot-Clean-Ersatzkopf (auf der Char-Broil Cool-Clean Premium-Bürste) empfohlen.
- **Steuerung:** Um die Vorderseite der Steuerung zu reinigen, wischen Sie sie mit einem weichen, trockenen Tuch ab.

CLEAN-Einstellung

Ihr Grill ist mit der innovativen CLEAN-Einstellung ausgestattet, die eine problemlose Grillreinigung ermöglicht. Die hohe Hitze, die von den Brennern erzeugt wird, wird alle verbleibenden Speisereste in Asche verwandeln.

Befolgen Sie diese Schritte:

- Nachdem Sie mit dem Grillen fertig sind und die Temperatur noch eingestellt ist, halten Sie das CLEAN-Symbol gedrückt, bis CLN auf der Steuerung angezeigt wird.
- Sobald der Grill abgekühlt ist, verwenden Sie eine Char-Broil Cool-Clean-Bürste, um alle verbleibenden Rückstände zu entfernen und die Asche zu entsorgen.
- Um besonders glänzende Ergebnisse zu erzielen, verwenden Sie als letzten Schritt den Char-Broil Grate Cleaner. Großzügig auf den Rost sprühen, 10 Minuten einwirken lassen und mit einem feuchten Tuch oder einer Bürste abwischen.

PFLEGE & NUTZUNG

Zu Ihrer Sicherheit

- Die Fettauffangschale muss in das Gerät eingesetzt und nach jedem Gebrauch geleert werden.
- Wenn Sie ein Problem mit dem Gerät haben, lesen Sie den Abschnitt „Fehlerbehebung“ durch.

WICHTIGE SICHERHEITSMASSNAHMEN

Bei der Verwendung von Elektrogeräten sollten immer grundlegende Sicherheitsvorkehrungen getroffen werden, einschließlich der folgenden:

LESEN SIE ALLE ANWEISUNGEN

- Heiße Oberflächen nicht mit ungeschützten Händen berühren. Benutzen Sie zur Bedienung die mitgelieferten Griffe und Knöpfe.
- Um Stromschläge zu vermeiden, tauchen Sie Kabel, Stecker oder die Steuerung nicht in Wasser oder andere Flüssigkeiten.
- Lassen Sie das Gerät nicht unbeaufsichtigt.
- Wenn ein Gerät von oder in der Nähe von Kindern verwendet wird, ist eine strenge Aufsicht erforderlich. Halten Sie Kinder und Haustiere stets vom Gerät fern.
- Dieses Gerät ist kein Spielzeug.
- Lassen Sie den Grill niemals unbeaufsichtigt, wenn er **INGESCHALTET IST**.
- Ziehen Sie den Stecker aus der Steckdose, wenn Sie das Gerät nicht verwenden und bevor Sie es bewegen oder reinigen.
- Vor dem Anbringen oder Abnehmen von Teilen abkühlen lassen. Betreiben Sie kein Gerät mit einem beschädigten Kabel oder Stecker oder nachdem das Gerät eine Fehlfunktion aufweist oder in irgendeiner Weise beschädigt wurde.
- Die Verwendung von Zubehörteilen, die nicht vom Gerätehersteller empfohlen werden, kann zu Verletzungen führen. Verwenden Sie nur vom Hersteller empfohlene Zubehörteile.
- Lassen Sie das Kabel nicht über die Tisch- oder Thekenkante hängen und berühren Sie keine heißen Oberflächen.
- Benutzen Sie das Gerät nicht für andere als den vorgesehenen Zweck. Dieses Gerät ist nicht als Heizgerät gedacht und sollte niemals als Heizgerät verwendet werden.
- Um zu verhindern, dass der Grill bespritzt wird oder ins Wasser fällt, verwenden Sie den Grill nicht in einem Umkreis von 3 Metern um einen Pool, Teich oder ein anderes Gewässer.
- Halten Sie den Grill und die elektrische Steuerung stets trocken und vor Regen geschützt.
- Halten Sie elektrische Stecker vom Boden fern und trocken.
- Verwenden Sie zum Reinigen des Produkts kein Wasser oder andere Flüssigkeitssprays, ohne zuvor den Netzstecker der elektrischen Steuerung zu ziehen.

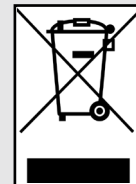
Für eine einfache Einrichtung besuchen Sie unsere Website und navigieren Sie zur Produktseite für Evolve Gas. Sie finden eine Kurzanleitung in Ihrer Muttersprache, die Ihnen bei der Bedienung des Controllers hilft.

- Verwenden oder lagern Sie während des Gebrauchs kein Benzin, Kerosin oder andere brennbare Flüssigkeiten im Umkreis von 7 Metern um diesen Grill. Halten Sie den Gerätebereich leer und frei von brennbaren Materialien.
- Bewegen Sie das Gerät während des Gebrauchs nicht.
- Beim Grillen muss das Gerät auf einer ebenen, stabilen Oberfläche in einem Bereich stehen, der frei von brennbaren Materialien ist.
- Der Konsum von Alkohol, verschreibungspflichtigen oder nicht verschreibungspflichtigen Medikamenten kann die Fähigkeit des Verbrauchers beeinträchtigen, das Gerät ordnungsgemäß zusammenzubauen oder sicher zu bedienen.
- Tauchen Sie das Gerät zum Reinigen nicht in Wasser

Zu Ihrer Sicherheit – Wenn Sie ein Verlängerungskabel verwenden müssen:

- Verwenden Sie nur Kabel für den Außenbereich, die für 13 Ampere oder mehr ausgelegt sind.
- Verwenden Sie das kürzeste erforderliche Verlängerungskabel. Verbinden Sie nicht zwei oder mehr Verlängerungskabel miteinander.
- Halten Sie die Anschlüsse trocken und fern vom Boden.
- Lassen Sie das Kabel nicht über die Tischkante oder andere Gegenstände hängen, wo Kinder daran ziehen oder darüber stolpern können.

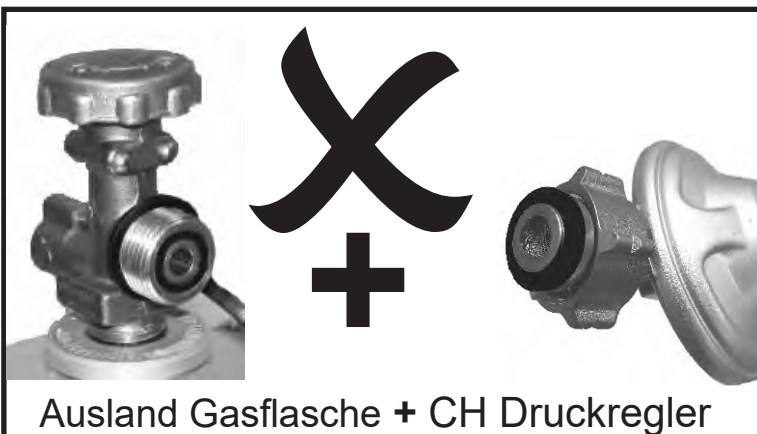
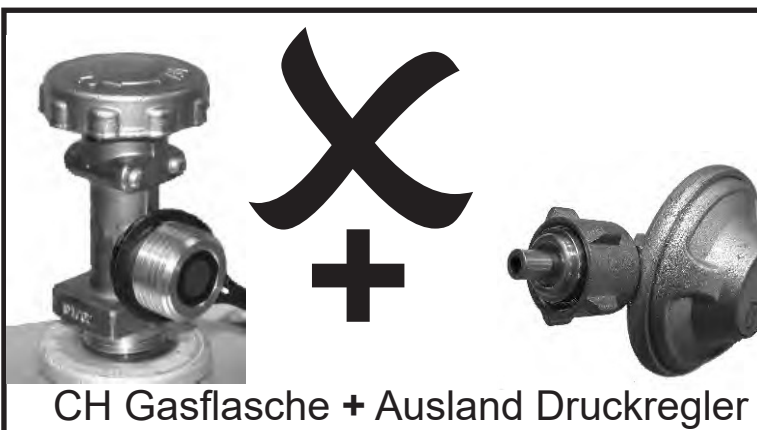
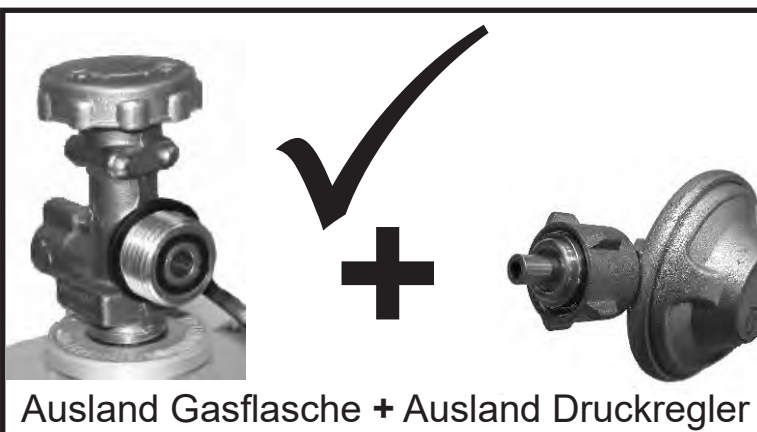
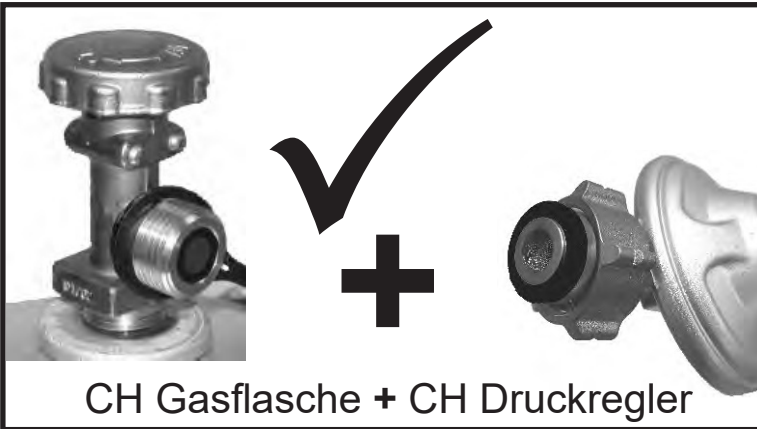
Dieses Produkt darf nicht zusammen mit dem Hausmüll entsorgt werden. Dieses Produkt muss an einer autorisierten Stelle für das Recycling von Elektro- und Elektronikgeräten entsorgt werden. Durch das Sammeln und Recyceln von Abfällen tragen Sie dazu bei, natürliche Ressourcen zu schonen und stellen sicher, dass das Produkt auf umweltfreundliche und gesunde Weise entsorgt wird.



Lagerung Ihres Geräts

- Reinigen Sie die Kochroste.
- Trocken lagern.
- Wenn die Gasflasche an das Gerät angeschlossen ist, lagern Sie sie im Freien an einem gut belüfteten Ort und außerhalb der Reichweite von Kindern.
- Decken Sie das Gerät ab, wenn es im Freien gelagert wird.
- Bewahren Sie das Gerät NUR im Innenbereich auf, wenn die Gasflasche ausgeschaltet und abgeklemmt, vom Gerät entfernt und im Freien gelagert ist. Wenn Sie das Gerät aus der Lagerung nehmen, prüfen Sie, ob der Brenner blockiert ist.

WICHTIG! BITTE LESEN SIE!



Ein Regler muss mit diesem Gerät verwendet werden. Verwenden Sie nur den mit Ihrem Grill gelieferten Gasregler. Wenn kein Regler geliefert wird, verwenden Sie nur einen Regler, der nach EN16129 (Durchflussrate max. 1,5 kg / h) zertifiziert und für Ihr Land und Gas zugelassen ist, wie in den Technischen Daten angegeben. Sie müssen eine Gasflasche verwenden, die mit Ihrem Druckminderer kompatibel ist.

Nur für die Schweiz

Es besteht die Gefahr von Feuer und Explosion mit Gasgeräten, welche mit einem ausländischen Druckminderer reguliert werden. Diese sind nicht kompatibel mit den Gastanks und Gasdruckminderern, die in der Schweiz verfügbar sind.

Durch die unterschiedlichen Dichtungssysteme ist es unmöglich, den Regler ordnungsgemäß mit dem Gastank zu versiegeln. Hier wird Gas entweichen und kann durchaus durch Flammen oder Funken Feuer fangen und sich entzünden. Ein lebensbedrohliche Explosion und/oder Schäden ihres Eigentums könnten entstehen. Schweizerische und deutsche Gasflasche und Druckregler können nicht miteinander zusammengeführt werden.

Aus Sicherheitsgründen, überprüfen Sie bitte den Druckminderer Ihres Grills und Ihr Gastank-Anschluss und vergewissern Sie sich, dass es den abgebildeten Gebrauchsanweisungen entspricht. Führen Sie jedes Mal eine

Leckageprüfung durch, wenn Sie ihren Grill mit dem Gastank verbinden wollen.

TECHNISCHE DATEN

TECHNISCHE DATEN CHAR-BROIL, LLC				
Gerätename	Gas-Barbeque/Gasgrill			
Gesamte Nennwärmeleistung	8,44 kW (614 g/h)			7,62 KW (554 g/h)
Gaskategorie	I3+(28-30/37)		I3B/P(30)	I3B/P(50)
Modell Nr.	468921224			468922224
Gasart	Butan	Propan	Butan, Propan oder deren Mischungen	Butan, Propan oder deren Mischungen
Gasdruck	28-30 mbar	37 mbar	30 mbar	50 mbar
Injektorgröße (Durchmesser mm)	Grill: 0,72 x 4 Stk		Grill: 0,72 x 4 Stk	Grill: 0,58 x 4 Stk
Größe des Seitenbrenner-Injektors (Durchmesser mm)	Grill: N / A		Grill: N / A	Grill: N / A
Elektrische Leistung	220–240 V, 50 Hz, 5 W			
Zielländer	GB, FR, BE, ES, IT, PT, CZ, SK, CH, CY, GR, IE, LT, LU, LV, TR, SI		DK, NO, NL, SE, FI, IS, CZ, IT, SK, BG, CY, EE, HR, HU, LT, LU, LV, MT, RO, SI, BE, GB, FR	AT, CH, DE, LU, SK

FEHLERBEHEBUNG

Problem	Mögliche Ursache	Prävention/Lösung
Grill kommt nicht auf Temperatur	Sollwert geändert	<ul style="list-style-type: none"> • Prüfen Sie, ob der Sollwert gesenkt wurde.
	Deckel offen gelassen oder häufig geöffnet	<ul style="list-style-type: none"> • Wenn Sie den Grilldeckel offen lassen, verlängert sich der Aufheizvorgang und es kann dazu führen, dass die Temperatursensoren nicht die richtige Temperatur anzeigen. Halten Sie den Deckel während des Grillens geschlossen.
	Temperatursensor defekt	<ul style="list-style-type: none"> • Wenn die Temperatur nicht ansteigt, überprüfen Sie die Kabelverbindungen: <ul style="list-style-type: none"> • Schalten Sie den Grill aus und ziehen Sie den Netzstecker. • Entfernen Sie das Bedienfeld und stellen Sie sicher, dass alle Kabel fest angeschlossen sind. Bauen Sie das Bedienfeld wieder zusammen und prüfen Sie den Temperaturfühler mit der gleichen Methode. • Wenn die Temperatur immer noch nicht ansteigt, muss möglicherweise Ihr Temperatursensor ausgetauscht werden • Bitte rufen Sie den Kundendienst an, um Hilfe zu erhalten.
Die Temperatur des Lebensmittelsensors wird nicht auf dem Display angezeigt oder zeigt einen unangemessenen Wert an	Nicht vollständig eingesetzt/angeschlossen	<ul style="list-style-type: none"> • Stecken Sie den Sondenstecker ganz in die Sondenbuchse.
	Lebensmittelsensor beschädigt	<ul style="list-style-type: none"> • Stecken Sie die Sonde in eine andere Sondenbuchse und beobachten Sie den Messwert. Wenn keine Anzeige oder ein unangemessener Wert angezeigt wird, tauschen Sie den Lebensmittelsensor aus. Wenn die Temperaturanzeige jetzt aktiv ist und einen angemessenen Wert aufweist, versuchen Sie es noch einmal mit der ursprünglichen Buchse. Wenn die Anzeige immer noch schlecht ist, muss möglicherweise die Sondenbuchse ausgetauscht werden. • Bitte rufen Sie den Kundendienst an, um Hilfe zu erhalten.
	Verschmutzung in der Buchse der Lebensmittelsonde	<ul style="list-style-type: none"> • Untersuchen Sie die Buchsen der Lebensmittelsonden, die keine Temperatur melden, mit einer Taschenlampe auf eventuelle Rückstände. Wenn Rückstände vorhanden sind, stellen Sie sicher, dass der Grill ausgeschaltet ist, und entfernen Sie die Rückstände dann vorsichtig. Überprüfen Sie, ob der Anschluss der Lebensmittelsonde sauber und trocken ist. Stecken Sie die Lebensmittelsonde in eine benachbarte Buchse, um den Messwert zu überprüfen. Sollte bei keinem der Anschlüsse in der Steuerung die Temperatur angezeigt werden, ist die Lebensmittelsonde beschädigt.
	Die Lebensmittelsonde ist nicht richtig in das Lebensmittel eingeführt	<ul style="list-style-type: none"> • Die Sondenspitze sollte in die dickste Stelle des zu messenden Lebensmittels eingeführt werden. Die Lebensmittelsonde sollte keinen direkten Kontakt mit Knochen haben, da ein direkter Kontakt eine genaue Messung verhindert. Der Lebensmittelsensor sollte keinen Kontakt mit Grillrosten haben.
Das Produkt stellt keine Bluetooth-Verbindung her	Das Produkt ist zu weit vom Telefon entfernt	<ul style="list-style-type: none"> • Schließen Sie den Kopplungsvorgang mit dem Gerät innerhalb von 1,5 m (5 Fuß) vom Telefon ab.
	Bluetooth des Telefons ausgeschaltet oder Flugmodus aktiv	<ul style="list-style-type: none"> • Stellen Sie in den Einstellungen Ihres Mobilgeräts sicher, dass Bluetooth aktiviert und der Flugmodus deaktiviert ist. <ol style="list-style-type: none"> 1. Stellen Sie bei Android-Geräten sicher, dass die Ortungsdienste aktiviert sind und dass die Anwendung Ortungsdienste nutzen darf. Dadurch kann Bluetooth in der Anwendung verwendet werden. 2. Überprüfen Sie bei iPhone-Geräten, ob Bluetooth in den Betriebssystemeinstellungen für die Anwendung aktiviert ist.
	Das Produkt ist bereits an ein anderes Telefon gekoppelt	<ul style="list-style-type: none"> • Verwenden Sie das ursprünglich mit dem Produkt gekoppelte Mobilgerät oder setzen Sie die Verbindungen des Grills zurück. Wenn Sie die Grillverbindung zurücksetzen, entfernen Sie zunächst das Produkt aus den Bluetooth-Einstellungen des Mobilgeräts. Alternativ können Sie Bluetooth auf dem vorherigen Mobilgerät ausschalten, während Sie den Kopplungsvorgang durchführen. • Um die Grillverbindung zurückzusetzen, halten Sie den Bedientaste 10 Sekunden lang gedrückt. Ein Piepton ertönt und zeigt an, dass das Zurücksetzen abgeschlossen ist. Führen Sie nun den Kopplungsvorgang für Bluetooth auf dem Gerät durch.
	Das Produkt ist bereits an dasselbe Telefon gekoppelt	<ul style="list-style-type: none"> • Schalten Sie das Produkt aus und schließen Sie die Anwendung. Schalten Sie das Produkt wieder ein und öffnen Sie die Anwendung erneut. Wenn das Produkt immer noch nicht über Bluetooth verbunden ist, entfernen Sie das Produkt aus den Bluetooth-Geräteeinstellungen des Betriebssystems des Mobiltelefons. Halten Sie am Grill den Bedientaste gedrückt, bis ein Signalton ertönt, um die Bluetooth-Einstellungen des Grills zu löschen und den Kopplungsvorgang neu zu starten.

FEHLERBEHEBUNG

Problem	Mögliche Ursache	Prävention/Lösung
Das Produkt stellt keine Verbindung zum WLAN her	Falsches Router-Passwort	<ul style="list-style-type: none"> Überprüfen Sie das Passwort und versuchen Sie es erneut mit der WLAN-Verbindung.
	Kein Internet	<ul style="list-style-type: none"> Überprüfen Sie den Internetzugang auf anderen Geräten. Wenn andere Geräte über Internet verfügen: - Trennen Sie den Grill für 30 Sekunden vom Stromnetz und schließen Sie ihn wieder an. Überprüfen Sie die Verbindung. - Trennen Sie den Router für 30 Sekunden vom Stromnetz und schließen Sie ihn wieder an. Überprüfen Sie die Verbindung. Führen Sie die WLAN-Einrichtung in der Anwendung erneut durch - wenn das WLAN-Netzwerk nicht in der Scanliste angezeigt wird, ist das Produkt möglicherweise zu weit vom Router entfernt.
	Der Router ist zu weit vom Grill entfernt	<ul style="list-style-type: none"> Führen Sie die WLAN-Einrichtung in der Anwendung erneut durch - wenn das WLAN-Netzwerk nicht in der Scanliste angezeigt wird, ist das Produkt möglicherweise zu weit vom Router entfernt. Überprüfen Sie mit einem mobilen Gerät in der Nähe des Grillstandorts, ob ein Internetzugang vorhanden ist.
	Hindernisse zwischen Router und Grill	<ul style="list-style-type: none"> Positionieren Sie den Grill so, dass die Anzahl der Wände und Gegenstände zwischen Grill und Router minimal ist.
	Kein 2,4-GHz-WLAN	<ul style="list-style-type: none"> Grill unterstützt nur 2,4G-WLAN-Netzwerke. Ein alternativer Router ist erforderlich.
Steuerungsausfall <ul style="list-style-type: none"> Keine Stromversorgung zur Steuerkonsole. Der Grill startet einwandfrei, aber der Kontrollbildschirm erlischt, der Grill funktioniert nicht mehr. 	Das Gerät ist nicht angeschlossen.	<ul style="list-style-type: none"> Stellen Sie sicher, dass das Kabel richtig in die Steckdose eingesteckt ist. In die Steckdose stecken und erneut prüfen.
	Die Sicherung des Stromkreises wurde ausgelöst.	<ul style="list-style-type: none"> Überprüfen Sie, ob der FI-Schutzschalter (RCBO/RCD) oder der Leistungsschutzschalter ausgelöst wurde, und setzen Sie den Stromkreis zurück.
	<ul style="list-style-type: none"> Eine Fehlfunktion oder ein Ausfall des Netzkabels. Fehlfunktion der Steuerung (PCB). 	<ul style="list-style-type: none"> Trennen Sie den Grill vom Stromnetz. Entfernen Sie das Bedienfeld und stellen Sie sicher, dass alle Kabel unbeschädigt und fest angeschlossen sind, insbesondere das Netzkabel. Wenn Kabel beschädigt sind, ersetzen Sie die entsprechenden Komponenten und überprüfen Sie diese erneut. Wenn die Kabel nicht beschädigt sind und die Verbindungen bestätigt sind, wenden Sie sich für weitere Unterstützung bitte an den Kundendienst.
FI-Schutzschalter (RCBO/RCD)-Probleme. <ul style="list-style-type: none"> Keine Stromversorgung zur Steuerkonsole. Der Grill startet einwandfrei, aber der Kontrollbildschirm erlischt, der Grill funktioniert nicht mehr. Die FI-Schutzschalter-Reset-Taste springt an der Steckdose heraus. 	<ul style="list-style-type: none"> Fehlerhafte FI-Schutzschalter-Steckdose. Feuchtigkeit in der Steckdose Steckdose befindet sich nicht in einem eigenen Stromkreis. Probleme mit Schutzschaltern.“ 	<ul style="list-style-type: none"> Ziehen Sie alles aus der Steckdose. Drücken Sie die Reset-Taste an der Steckdose und stellen Sie sicher, dass die Testtaste in die normale Position zurückkehrt. Schließen Sie den Grill an und schalten Sie ihn etwa 10 Minuten lang ein. Achten Sie darauf, ob der FI-Schutzschalter auslöst wird. Wenn der FI-Schutzschalter während des 10-Minuten-Zeitraums ausgelöst wurde, überprüfen Sie die Stromaufnahme des FI-Schutzschalters (wir empfehlen die Verwendung eines FI-Schutzschalters mit 13 Ampere). Wenn ein 13-Ampere-FI-Schutzschalter verwendet wird und dennoch eine Auslösung erfolgt, ist möglicherweise ein Elektriker erforderlich. Wenn der FI-Schutzschalter innerhalb von 10 Minuten nicht ausgelöst wird und Sie ein zweites Gerät an derselben Steckdose verwenden, schließen Sie das ursprüngliche zweite Gerät wieder an und schalten Sie es ein. Wenn der FI-Schutzschalter bei eingeschaltetem zweiten Gerät ausgelöst wird, liegt möglicherweise ein Problem mit dem zweiten Gerät vor. Schließen Sie ein anderes Gerät an dieselbe Steckdose an und schalten Sie das Gerät ein. Wenn bei dem anderen Gerät eine Auslösung auftritt, ist möglicherweise ein Elektriker erforderlich. Ziehen Sie den Stecker aus der Steckdose.

INFORMAZIONI IMPORTANTI SULLA SICUREZZA

SIMBOLI DI SICUREZZA

I messaggi di **PERICOLO**, **AVVERTIMENTO** e **ATTENZIONE** in tutto il Manuale utente servono per evidenziare informazioni importanti e critiche. Leggere e rispettare tali messaggi per garantire la sicurezza ed evitare danni alle cose.

I messaggi sono definiti qui di seguito.



ATTENZIONE

ATTENZIONE: si riferisce a una situazione di rischio potenziale o a una procedura non sicura che, se non evitata, potrebbe causare danno minore o moderato alla salute.



AVVERTIMENTO

AVVERTIMENTO: si riferisce a una situazione di rischio potenziale che, se non evitata, può causare morte o danno grave alla salute.



PERICOLO

PERICOLO: si riferisce a una situazione di rischio imminente che, se non evitata, causa morte o danno grave o permanente alla salute.

INSTALLATORE/MONTATORE:

Lasciare questo manuale all'utilizzatore.

UTILIZZATORE:

Conservare il manuale per riferimento futuro.

È responsabilità del montatore/proprietario montare, installare e curare la manutenzione del barbecue.

Domande:

In caso di domande durante il montaggio o l'uso di questo barbecue, contattare il rivenditore locale.

SOLO PER USO ALL'APERTO

1. Solo per uso all'aperto.
2. Non utilizzare all'interno o per la ristorazione commerciale.
3. Utilizzare l'apparecchio solo in spazi ben ventilati.



AVVERTIMENTO

- Questo manuale d'uso contiene informazioni importanti, necessarie per il corretto montaggio e l'uso in sicurezza dell'apparecchio.
- Leggere e rispettare tutti gli avvertimenti e le istruzioni prima di assemblare e mettere in funzione l'apparecchio.
- Seguire tutti gli avvertimenti e le istruzioni quando si utilizza l'apparecchio.
- Conservare il manuale per riferimento futuro.



PERICOLO

- Non lasciare mai questo apparecchio incustodito quando in uso.
- Non utilizzare mai questo apparecchio a meno di 3 m da strutture, materiali infiammabili o altre bombole del gas.
- Non utilizzare mai questo apparecchio a meno di 7,5 m da liquidi infiammabili.
- Se dovesse verificarsi un incendio, allontanarsi dall'apparecchio e chiamare immediatamente i vigili del fuoco. Non tentare di spegnere incendi di grassi con acqua. Il mancato rispetto di queste istruzioni potrebbe provocare incendi, esplosioni o ustioni e conseguenti danni alle cose e lesioni personali o morte.



AVVERTIMENTO

1. Non riporre o utilizzare benzina o altri liquidi infiammabili nelle vicinanze di questo o di altri apparecchi.
2. Non riporre bombole del gas non collegate per l'uso nelle vicinanze di questo o di altri apparecchi.



PERICOLO

Se si sente odore di gas:

1. chiudere l'alimentazione di gas all'apparecchio
2. spegnere tutte le fiamme libere.
3. aprire il coperchio.
4. Se l'odore persiste, tenersi lontani dall'apparecchio e contattare immediatamente il fornitore di gas o i vigili del fuoco.



AVVERTIMENTO

1. Non riporre o utilizzare benzina o altri liquidi infiammabili nelle vicinanze di questo o di altri apparecchi.
2. Non riporre bombole del gas non collegate per l'uso nelle vicinanze di questo o di altri apparecchi.



AVVERTIMENTO

Per un utilizzo in sicurezza dell'apparecchio e per evitare il rischio di gravi lesioni:

UTILIZZARE SOLO ALL'APERTO. NON UTILIZZARE MAI IN AMBIENTI CHIUSI.

Leggere le istruzioni prima di utilizzare l'apparecchio.

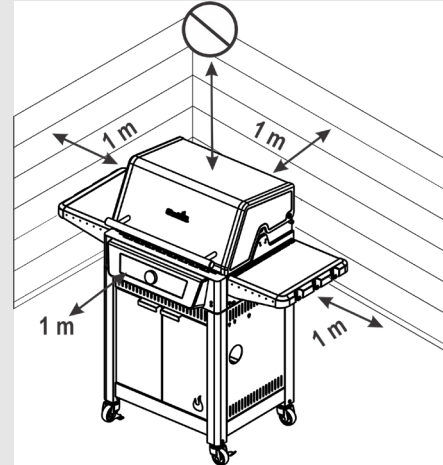
Seguire sempre queste istruzioni.

- Non spostare l'apparecchio durante l'uso.
- Le parti accessibili possono raggiungere temperature molto elevate. Tenere lontani i bambini. Non lasciare che i bambini utilizzino o giochino vicino all'apparecchio.
- Dopo l'uso, chiudere la bombola del gas.
- Tenere l'apparecchio lontano da materiali infiammabili durante l'uso.
- Non ostruire i fori sui lati o sul retro del apparecchio.
- Controllare regolarmente le fiamme del bruciatore.
- Non bloccare le aperture del venturi sul bruciatore.
- Utilizzare l'apparecchio solo in spazi ben ventilati. **Non utilizzarlo MAI** in spazi chiusi come tettoie, garage, verande, patii coperti, o sotto strutture di qualsiasi tipo.
- Non utilizzare bricchetti di carbone o ceramica in apparecchi a gas.

MANUTENZIONE E USO

- **NON** coprire le griglie con fogli di alluminio o altro materiale. Bloccherebbero la ventilazione del bruciatore e si creerebbe una condizione potenzialmente pericolosa con conseguenti danni alle cose e/o lesioni alle persone.
- Questo grill si riaccende automaticamente con il coperchio chiuso. Aprire il coperchio prima della prima accensione.
- Usare l'apparecchio a una distanza di almeno 1 m da qualsiasi parete o superficie. Mantenerlo a una distanza di 3 m da oggetti che possono prendere fuoco o da fonti di accensione come fiamme pilota di boiler, elettrodomestici sotto tensione, ecc. L'immagazzinamento di gas non acceso all'interno di un apparecchio chiuso costituisce un pericolo.
- Chiudere sempre il gas sulla bombola e scollegare il regolatore prima di spostare la bombola del gas dalla posizione di lavoro specificata.
- Non utilizzare mai l'apparecchio quando la bombola del gas non è nella posizione corretta specificata.
- Non modificare l'apparecchio. Qualsiasi modifica è severamente vietata.
- L'utilizzatore non deve manipolare le parti sigillate. Non smontare gli iniettori.

⚠ AVVERTIMENTO



- Chiudere sempre il gas sulla bombola e scollegare il regolatore prima di spostare la bombola del gas dalla posizione di lavoro specificata.
- Non utilizzare mai l'apparecchio quando la bombola del gas non è nella posizione corretta specificata.
- Non modificare l'apparecchio. Qualsiasi modifica è severamente vietata. L'utilizzatore non deve manipolare le parti sigillate. Non smontare gli iniettori.
- Non utilizzare il barbecue con il coperchio chiuso durante la cottura.

Il mancato rispetto delle istruzioni del produttore potrebbe causare gravi lesioni alle persone e/o danni alle cose.

Non tentare di riparare o modificare il tubo/valvola/regolatore per difetti "presunti". Qualsiasi modifica a questo gruppo renderà nulla la garanzia e creerà il rischio di perdite di gas e di incendio. Utilizzare solo parti di ricambio autorizzate fornite dal produttore.

Non coprire le griglie con fogli di alluminio o altro materiale. Bloccherebbero la ventilazione del bruciatore e si creerebbe una condizione potenzialmente pericolosa con conseguenti danni alle cose e/o lesioni alle persone.

Leggere e rispettare tutti i messaggi di sicurezza, le istruzioni di montaggio e le indicazioni d'uso e manutenzione prima di assemblare e mettere in funzione l'apparecchio.

Alcune parti possono presentare bordi taglienti. Si consiglia di indossare guanti da barbecue.

Incendi di grassi

- Non è possibile spegnere gli incendi di grassi chiudendo il coperchio. I barbecue sono ben ventilati per motivi di sicurezza.
- Non usare acqua su incendi di grassi, potrebbero risultarne lesioni alle persone. In caso di persistente incendio di grassi, posizionare le manopole su OFF e chiudere la bombola del gas.
- Se non si pulisce regolarmente l'apparecchio, possono verificarsi incendi di grassi che potrebbero danneggiare il prodotto. Prestare molta attenzione durante il preriscaldamento o mentre si bruciano residui di cibo per evitare che si sviluppino incendi di grassi. Seguire le istruzioni sulla pulizia generale dell'apparecchio e sulla pulizia del gruppo bruciatore per evitare incendi di grassi. Il modo migliore per prevenire gli incendi di grassi è pulire regolarmente l'apparecchio.
- Non lasciare il barbecue incustodito durante il preriscaldamento o mentre si bruciano residui di cibo su MAX. Se non si pulisce regolarmente il barbecue, possono verificarsi incendi di grassi che potrebbero danneggiare il prodotto.

MANUTENZIONE E USO

Suggerimenti di sicurezza

- Prima di aprire la valvola della bombola del gas, verificare la tenuta del regolatore.
- Quando l'apparecchio non è in uso, spegnere il regolatore e chiudere la bombola del gas.
- Utilizzare utensili da barbecue a manico lungo per evitare schizzi. Indossare guanti da barbecue per maneggiare componenti caldi.
- Il carico massimo per il ripiano laterale è 4,5 Kg.
- Inserire sempre la vaschetta raccogli grasso (se in dotazione) nell'apparecchio e svuotarla dopo ogni utilizzo. Non rimuovere la vaschetta raccogli grasso finché l'apparecchio non si è completamente raffreddato.
- Prestare la massima attenzione quando si apre il coperchio perché potrebbe fuoriuscire vapore molto caldo.
- Prestare la massima attenzione quando nelle vicinanze si trovano bambini, anziani o animali domestici.
- Se si nota grasso o altre sostanze calde gocciolare dall'apparecchio sulla valvola, sul tubo o sul regolatore, chiudere immediatamente la bombola del gas. Determinare la causa, porvi rimedio, quindi pulire e ispezionare la valvola, il tubo e il regolatore prima di continuare. Eseguire una prova di tenuta.
- Non riporre all'interno dell'alloggiamento del carrello dell'apparecchio oggetti o materiali che potrebbero bloccare il flusso dell'aria di combustione sotto il pannello comandi o il focolare.
- **NON** scollegare o sostituire il contenitore del gas a meno di 3 m da fiamme libere o da altre fonti di accensione.
- Spiegare il funzionamento in sicurezza dell'apparecchio e i pericoli correlati a persone con ridotte capacità fisiche, sensoriali o mentali o con nessuna esperienza e conoscenza del prodotto prima che utilizzino l'apparecchio
- Non consentire ai bambini di giocare con l'apparecchio
- Non consentire ai bambini di eseguire interventi di pulizia e manutenzione riservati all'utilizzatore, senza supervisione
- I cavi di alimentazione danneggiati devono essere sostituiti dal produttore, dal suo servizio assistenza o da persone con qualifiche simili per evitare pericoli.

Posizionamento della bombola

Le bombole posizionate nell'apparecchio devono avere un diametro massimo di 340 mm e un'altezza massima, compreso il regolatore, di 400 mm. Bombole più grandi devono essere posizionate solo sotto il ripiano laterale o dietro il barbecue. Le bombole appoggiate a terra non devono essere posizionate sotto la piastra riscaldante.

Requisiti del regolatore

Questo apparecchio richiede l'utilizzo di un regolatore. Utilizzare solo il regolatore del gas fornito con il barbecue. Se non viene fornito un regolatore, utilizzare esclusivamente regolatori certificati secondo la norma EN16129 (portata max. 1,5 kg/h) e approvati per il Paese di utilizzo e il gas specificato nei Dati tecnici.

Requisiti per il tubo

Utilizzare solo tubi approvati e certificati secondo la norma EN applicabile, e di lunghezza non superiore a 1,5 m. Per la Finlandia, la lunghezza del tubo non deve superare 1,2 m. Prima di ogni utilizzo, controllare che i tubi non siano tagliati o usurati. Verificare che il tubo non sia piegato. Sostituire i tubi danneggiati prima di utilizzare l'apparecchio. Sostituire i tubi nel rispetto delle normative nazionali.

Accensione dell'accenditore

- **Non sporgersi sopra il grill durante l'accensione.**
- 1. Collegare il cavo di alimentazione CA.
- 2. Aprire il coperchio quando si accende il fuoco e si ravviva la fiamma.
- 3. Aprire la bombola del GPL (ON).
- 4. Premere il pulsante di accensione per accendere il regolatore.
- 5. Ruotare la manopola fino alla temperatura desiderata.
- 6. Premere e rilasciare la manopola per accendere il grill. (Per controllare solo un lato del grill, vedere le istruzioni in Funzionamento del grill).
- 7. Se non si accende, cancellare il codice di errore tenendo premuto il pulsante di accensione per spegnere il grill. Attendere 5 minuti e ripetere la procedura di accensione.



AVVERTIMENTO

- Chiudere regolatori e bombola del gas quando non in uso.
- Verificare che il tubo collegato non entri in contatto con superfici calde.



ATTENZIONE

Se non si accende, cancellare il codice di errore tenendo premuto il pulsante di accensione per spegnere il grill. Attendere 5 minuti e ripetere la procedura di accensione. Se il bruciatore non si accende con la valvola aperta, il gas continuerà a fuoriuscire e potrebbe accendersi accidentalmente con il rischio di lesioni alle persone.

Prove di tenuta per valvole, tubo flessibile e regolatore

Eseguire una prova di tenuta prima del primo utilizzo, almeno una volta all'anno e a ogni sostituzione o scollegamento della bombola

1. Spegnere l'apparecchio.
2. Verificare che il regolatore sia ben fissato alla bombola del gas.
3. Aprire il gas. Se si sente un suono simile a un sibilo, chiudere immediatamente il gas. C'è una grave perdita al punto di raccordo. Sistemare prima di procedere.
4. Applicare una soluzione saponata (metà acqua e metà detergente) sui raccordi del tubo.
5. Se si formano bolle, c'è una perdita. Procurarsi immediatamente la bombola del gas e controllare che i raccordi siano ben serrati. Se la perdita non si ferma, non tentare di riparare. Chiedere parti di ricambio.
6. Chiudere sempre la bombola del gas dopo aver eseguito la prova di tenuta.

SE L'APPARECCHIO NON SI ACCENDE

- Verificare che la bombola del gas sia aperta.
- Verificare che ci sia gas nella bombola.
- L'accenditore fa un rumore di scintille? Non fumare durante la prova di tenuta.
 1. Se sì, verificare la presenza di scintille sul bruciatore.
 2. Se non c'è scintilla, controllare che non vi siano cavi danneggiati o allentati.
- Se i cavi sono a posto, verificare se vi sono elettrodi rotti o incrinati e sostituirli se necessario.
- Se un filo o un elettrodo è coperto da residui di cottura, pulire la punta dell'elettrodo con una salvietta imbevuta di alcol, se necessario.
- Se necessario, sostituire i cavi.
- Verificare la presenza di collegamenti allentati sul regolatore.



ATTENZIONE

ALLERTA RAGNI!

RAGNI E RAGNATELE ALL'INTERNO DEL BRUCIATORE



Immagine del bruciatore solo
indicativa.

- Se diventa difficile accendere il grill o la fiamma è debole, controllare e pulire i tubi del venturi e i bruciatori.
- È noto che ragni o piccoli insetti possono costruire nidi e deporre uova nel venturi o nel bruciatore del grill, ostruendo il flusso di gas e creando problemi di "flashback". Il gas accumulato può accendersi dietro il pannello comandi. Questo flashback può danneggiare il grill e causare lesioni. Per evitare ritorni di fiamma e per un corretto funzionamento, dopo un lungo periodo di inattività scollegare bruciatore e tubo del venturi e pulirli prima del riutilizzo.

Pulizia del gruppo bruciatore

Seguire queste istruzioni per pulire e/o sostituire parti del gruppo bruciatore o in caso di problemi di accensione del grill.

1. Chiudere la bombola del GPL.
2. Smontare le griglie di cottura.
3. Rimuovere i tubi crossover e i dispositivi di fissaggio dei bruciatori.
4. Scollegare l'elettrodo dal bruciatore.
5. Estrarre con cautela ogni bruciatore portandolo verso l'alto e lontano dalle aperture delle valvole.

Proponiamo tre metodi tra cui scegliere per pulire i tubi del bruciatore .

(A) Prendere un filo di metallo rigido (va bene anche un appendiabiti leggero) e piegarlo per formare un piccolo gancio. Far scorrere più volte il gancio attraverso il tubo di ciascun bruciatore.



(B) Utilizzare uno scovolino sottile per bottiglie con manico flessibile (non usare spazzole in metallo). Far scorrere più volte lo spazzolino attraverso il tubo di ciascun bruciatore.

(C) **Indossare occhiali protettivi:** Soffiare aria attraverso il tubo del bruciatore in direzione dei fori usando un tubo per aria compressa. Verificare che l'aria fuoriesca da tutti i fori.

6. Spazzolare tutta la superficie esterna del bruciatore per rimuovere residui di cibo e sporcizia.
7. Pulire tutti i fori bloccati con un filo di metallo rigido tipo una graffetta aperta.

8. Controllare che il bruciatore non presenti segni di usura o corrosione, che potrebbero allargare i fori. Se si rilevano crepe o fori di grandi dimensioni, sostituire il bruciatore.
9. Collegare l'elettrodo e il sensore di fiamma al bruciatore.
10. Riposizionare con cautela i bruciatori.
11. Collegare i bruciatori alle staffe sul focolare.
12. Riposizionare i tubi crossover e fissarli ai bruciatori. Sostituire le griglie di cottura.
13. Prima di riutilizzare il barbecue, eseguire una "Prova di tenuta" e una "Verifica della fiamma del bruciatore".

Pulizia generale dell'apparecchio

È necessario pulire regolarmente il grill, poiché possono verificarsi incendi quando grasso e detriti di cibo si accumulano sul fondo del grill. Dopo ogni utilizzo, rimuovere eventuali residui di cibo dalla griglia di cottura e dall'interno del grill utilizzando una spazzola Char-Broil Cool-Clean. Quindi è possibile spruzzare una dose abbondante di Char-Broil Grate Cleaner sulla griglia, lasciarlo agire per 10 minuti e pulire con un panno umido o una spazzola. Pulire il grill dopo che si è raffreddato.

- Non confondere l'accumulo di grasso o fumo marrone o nero con vernice. Gli interni dei barbecue a gas non sono verniciati in fabbrica (e non dovrebbero mai essere verniciati). Applicare una soluzione di detergente e acqua o utilizzare un detergente per grill e una spazzola sulle parti interne del coperchio e sul fondo dell'apparecchio. Risciacquare e lasciare asciugare bene all'aria. Non utilizzare detergenti caustici per grill/forno su superfici verniciate.
- **Parti in plastica:** Lavare con acqua tiepida e detergente e asciugare con uno strofinaccio. Non utilizzare detergenti abrasivi, sgrassatori o detergenti concentrati per grill sulle parti in plastica per evitare danni e guasti alle parti.
- **Superfici in porcellana:** Grazie alla composizione simile al vetro, la maggior parte dei residui può essere rimossa con una soluzione di bicarbonato di sodio/acqua, un detergente per vetri o Char-Broil Grate Cleaner. Utilizzare una polvere non abrasiva per le macchie ostinate.
- **Superfici verniciate:** Lavare con un detergente delicato e acqua calda e sapone o con Char-Broil Grill Cleaner, quindi asciugare con un panno morbido non abrasivo.
- **Piani di cottura:** Assicurarsi che non rimangano setole sui piani di cottura prima di utilizzarli. A grill caldo, si consiglia di pulire le superfici di cottura solo utilizzando la testina sostitutiva Char-Broil Hot-Clean (sulla spazzola Char-Broil Cool-Clean Premium).
- **Regolatore:** Per pulire la parte anteriore del regolatore, usare un panno morbido e asciutto.

Impostazione CLEAN (pulizia)

Il grill è dotato dell'innovativa impostazione CLEAN che consente una pulizia del grill senza problemi. L'elevato calore generato dai bruciatori trasformerà in cenere tutti i residui di cibo.

Procedura:

- Dopo aver cucinato, con temperatura ancora impostata, tenere premuta l'icona CLEAN finché non appare CLN sul regolatore.
- Quando il grill si è raffreddato, utilizzare una spazzola Char-Broil Cool-Clean per rimuovere eventuali residui e smaltire la cenere.
- Per ottenere una pulizia perfetta, alla fine utilizzare il Char-Broil Grate Cleaner. Spruzzare una dose abbondante di Char-Broil Grate Cleaner sulla griglia, lasciarlo agire per 10 minuti, quindi pulire con un panno umido o una spazzola.

MANUTENZIONE E USO

PER LA VOSTRA SICUREZZA

- Inserire sempre la vaschetta raccogli grasso nell'apparecchio e svuotarla dopo ogni utilizzo.
- In caso di problemi con l'apparecchio, consultare la sezione "Problemi e soluzioni".

ISTRUZIONI DI SICUREZZA

Quando si utilizzano apparecchi elettrici, seguire sempre le precauzioni di sicurezza di base, comprese le seguenti:

LEGGERE TUTTE LE ISTRUZIONI

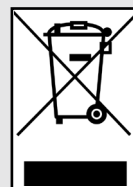
- Non toccare le superfici calde senza proteggere le mani. Utilizzare le apposite maniglie e manopole.
- Non immergere cavo di alimentazione, spine elettriche o regolatore in acqua o altri liquidi per evitare scosse elettriche.
- Non lasciare l'apparecchio incustodito.
- È necessaria una stretta supervisione quando un apparecchio viene utilizzato da o vicino a bambini. Tenere bambini e animali domestici lontani dall'apparecchio.
- Questo apparecchio non è un giocattolo.
- Non lasciare mai il barbecue incustodito quando è acceso.
- Scollegare dalla presa di corrente quando non è in uso e prima di spostarlo o pulirlo.
- Lasciare raffreddare l'apparecchio prima di montare o smontare parti. Non utilizzare l'apparecchio se presenta spine elettriche o cavi d'alimentazione danneggiati, o dopo un malfunzionamento o danneggiamento dello stesso.
- L'uso di accessori non consigliati dal produttore dell'apparecchio può causare lesioni. Utilizzare solo accessori consigliati dal produttore.
- Non lasciare che il cavo di alimentazione penzoli dal bordo del piano o tavolo, o che tocchi superfici calde.
- Non utilizzare l'apparecchio per un uso diverso da quello previsto. Questo apparecchio non è e non deve essere utilizzato come riscaldatore.
- Non utilizzare il barbecue a meno di 3 m da piscine o altri specchi d'acqua per evitare che cada in acqua o che sia colpito da schizzi d'acqua.
- Tenere sempre il barbecue e il regolatore elettrico asciutti e al riparo dalla pioggia.
- Tenere le spine elettriche asciutte e non a contatto con il pavimento.
- Non utilizzare acqua o altri spray liquidi per pulire l'apparecchio prima di aver scollegato il regolatore elettrico.

- Non utilizzare o immagazzinare benzina, cherosene o altri liquidi infiammabili a meno di 7 m da questo barbecue quando è in uso. Tenere pulita e libera da materiali infiammabili l'area intorno all'apparecchio.
- Non spostare l'apparecchio durante l'uso.
- Durante la cottura, l'apparecchio deve trovarsi su una superficie piana e stabile in un'area libera da materiali infiammabili.
- L'uso di alcolici o farmaci, da prescrizione o meno, può compromettere la capacità di montare o utilizzare l'apparecchio correttamente o in sicurezza.
- Non immergere l'apparecchio in acqua per pulirlo

Per la vostra sicurezza - Se è necessario usare un cavo di prolunga:

- Utilizzare esclusivamente un cavo di prolunga per uso all'aperto da 13 ampere o più.
- Utilizzare un cavo di prolunga della minor lunghezza possibile. Non collegare 2 o più cavi di prolunga tra loro.
- Mantenere i punti di connessione asciutti e non a contatto con il pavimento.
- Non lasciare che il cavo di prolunga penzoli dal bordo del piano d'appoggio per evitare che i bambini possano tirarlo o che esista un pericolo di inciampo.

Non smaltire l'apparecchio insieme ai rifiuti domestici. Smaltire l'apparecchio in un centro autorizzato al riciclo di apparecchiature elettriche ed elettroniche. Raccogliendo e riciclando i rifiuti, aiutate a risparmiare risorse naturali e siete certi che il prodotto sarà smaltito in modo ecologico.

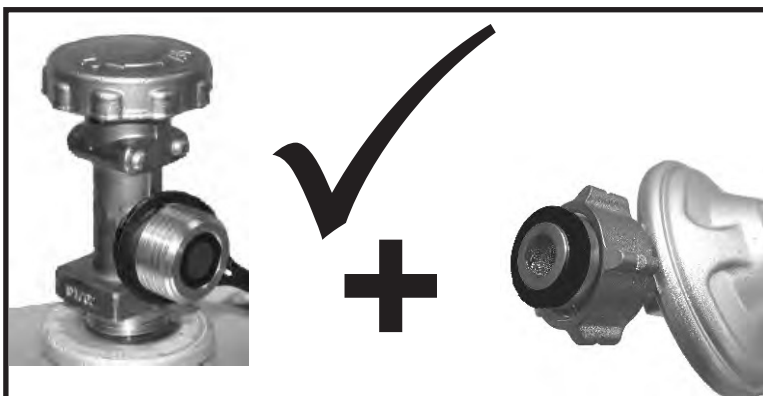


Come riporre l'apparecchio

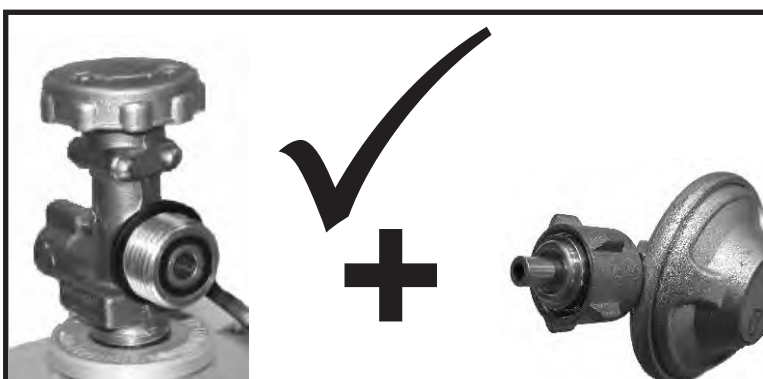
- Pulire le griglie di cottura.
- Riporre in luogo asciutto.
- Quando la bombola del gas è collegata all'apparecchio, riporre all'aperto in uno spazio ben ventilato e fuori dalla portata dei bambini.
- Coprire l'apparecchio se riposto all'aperto.
- Riporre l'apparecchio in ambienti chiusi SOLO se la bombola del gas è chiusa, scollegata, rimossa dall'apparecchio e riposta all'aperto. Quando si rimuove l'apparecchio dal luogo di magazzino, verificare la presenza di ostruzioni del bruciatore.

Per una configurazione semplice, visita il nostro sito Web e vai alla pagina del prodotto Evolve Gas. Troverai una guida rapida nella tua lingua madre per aiutarti a utilizzare il controller.

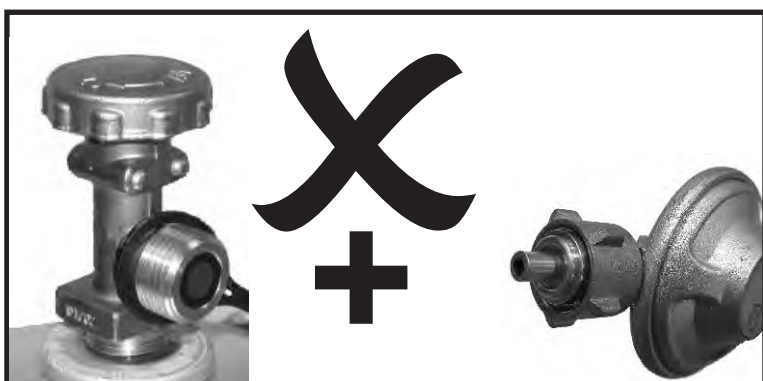
IMPORTANTE! SI PREGA DI LEGGERE!



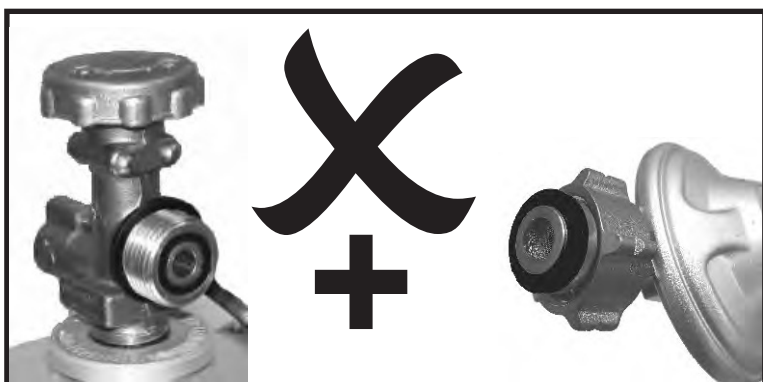
Bombola svizzera + Regolatore svizzero



Bombola straniera + Regolatore straniero



Bombola svizzera + regolatore straniero



Bombola straniera + regolatore svizzero

Un regolatore deve essere usato con questo apparecchio. Utilizzare solo il regolatore del gas fornito con il barbecue. Se non si fornisce un regolatore, utilizzare solo il regolatore certificato secondo EN16129 (portata max 1,5 kg / h) e approvato per il proprio paese e gas specificato in Dati tecnici. È necessario utilizzare una bombola di gas compatibile con il regolatore.

Solo per la Svizzera

C'è pericolo di incendio e di esplosione se si utilizzano apparecchi a gas con un regolatore di pressione straniero e non compatibile con le bombole a gas e regolatori disponibili in Svizzera.

A causa del diverso sistema di connessione, è impossibile adattare il regolatore straniero alla bombola di gas chiudendolo correttamente. Di conseguenza, il gas fuoriuscirebbe e potrebbe incendiarsi venendo a contatto con fiamme o scintille. Un'esplosione così generata può causare morte e danni a persone e cose.

Le bombole a gas e i regolatori svizzeri e tedeschi non sono intercambiabili.

Per ragioni di sicurezza, si invita a controllare il regolatore del vostro grill e la connessione con la bombola di gas ed assicurarsi che rientri in uno dei casi illustrati a fianco.

Si raccomanda di eseguire un test di perdita del gas ogni volta che si connette il grill alla bombola.

DATI TECNICI

DATI TECNICI CHAR-BROIL, LLC				
Nome dell'apparecchio	Barbecue a gas/grill a gas			
Portata termica nominale totale	8,44 KW (614 g/h)			7,62 KW (554 g/h)
Categoria gas	I3+(28-30/37)		I3B/P(30)	I3B/P(50)
Modello N.	468921224			468922224
Tipo gas	Butano	Propano	Butano, Propano o loro miscele	Butano, Propano o loro miscele
Pressione gas	28-30 mbar	37 mbar	30 mbar	50 mbar
Dimensioni iniettore (dia. mm)	Barbecue: 0,72 x 4 pezzi		Barbecue: 0,72 x 4 pezzi	Barbecue: 0,58 x 4 pezzi
Dimensioni iniettore bruciatore laterale (dia. mm)	Barbecue: N/D		Barbecue: N/D	Barbecue: N/D
Potenza elettrica nominale	220-240 V, 50 Hz, 5 W			
Paesi di destinazione	GB, FR, BE, ES, IT, PT, CZ, SK, CH, CY, GR, IE, LT, LU, LV, TR, SI		DK, NO, NL, SE, FI, IS, CZ, IT, SK, BG, CY, EE, HR, HU, LT, LU, LV, MT, RO, SI, BE, GB, FR	AT, CH, DE, LU, SK

PROBLEMI E SOLUZIONI

Problema	Possibile causa	Prevenzione/Soluzione
Il grill non raggiunge la temperatura desiderata	La temperatura impostata è cambiata	<ul style="list-style-type: none"> Controllare se la temperatura impostata è stata abbassata.
	Coperchio lasciato aperto o aperto spesso	<ul style="list-style-type: none"> Lasciare il coperchio del barbecue aperto prolungherà il processo di preriscaldamento e potrebbe far sì che i sensori di temperatura non leggano la temperatura corretta. Tenere il coperchio chiuso durante l'utilizzo.
	Difetto del sensore di temperatura	<ul style="list-style-type: none"> Se la temperatura non aumenta, controllare le connessioni dei cavi: <ul style="list-style-type: none"> Spegnere e scollegare il grill. Rimuovere il pannello comandi e assicurarsi che tutti i cavi siano saldamente collegati - Rimontare il pannello comandi e verificare la sonda di temperatura con lo stesso metodo. Se la temperatura continua a non aumentare, potrebbe essere necessario sostituire il sensore di temperatura Chiamare il servizio clienti per ricevere assistenza.
Il display non visualizza la temperatura rilevata dalla sonda per alimenti o mostra un valore incoerente	Sonda non ben inserita/collegata	<ul style="list-style-type: none"> Spingere a fondo lo spinotto della sonda nella presa jack della sonda.
	Sonda per alimenti danneggiata	<ul style="list-style-type: none"> Collegare la sonda a un'altra presa jack per sonde e verificare la lettura. Se il display non mostra alcun dato o si legge un valore incoerente, sostituire la sonda per alimenti. Se il display mostra un valore coerente, riprovare la presa jack originale. Se il display continua a non funzionare correttamente, potrebbe essere necessario sostituire la presa jack della sonda. Chiamare il servizio clienti per ricevere assistenza.
	Contaminazione nella presa jack in cui è inserita la sonda per alimenti	<ul style="list-style-type: none"> Ispezionare con una torcia le prese jack per sonde per alimenti che non segnalano la temperatura per individuare eventuali residui. Se sono presenti residui, assicurarsi che il grill non sia alimentato, quindi rimuovere con cautela i residui. Verificare che il connettore della sonda per alimenti sia pulito e asciutto. Inserire la sonda per alimenti in una presa jack vicina per verificare la lettura. Se il regolatore non mostra la temperatura per nessuna presa jack, la sonda per alimenti è danneggiata.
	La sonda per alimenti non è inserita correttamente nel cibo	<ul style="list-style-type: none"> La punta della sonda deve essere inserita nella parte più spessa del cibo da misurare. La sonda per alimenti non deve essere a diretto contatto con gli ossi poiché il contatto diretto impedirebbe una lettura accurata. La sonda per alimenti non deve essere a contatto con le griglie di cottura.
L'apparecchio non si connette al Bluetooth	L'apparecchio è troppo lontano dal telefono	<ul style="list-style-type: none"> Completare la procedura di associazione tenendo l'apparecchio a meno di 1,5 m dal telefono.
	Bluetooth del telefono disattivato o attivato in modalità aereo	<ul style="list-style-type: none"> Nelle impostazioni del dispositivo mobile, assicurarsi che il Bluetooth sia attivo e che la modalità aereo sia disabilitata. <ol style="list-style-type: none"> Per i dispositivi Android, verificare che i servizi di localizzazione siano attivati e che l'applicazione sia autorizzata a utilizzarli, per poter usare il Bluetooth nell'applicazione. Per i dispositivi iPhone, verificare che il Bluetooth sia abilitato per l'applicazione nelle impostazioni del sistema operativo.
	L'apparecchio è già associato a un altro telefono	<ul style="list-style-type: none"> Utilizzare il dispositivo mobile precedentemente associato all'apparecchio o resettare le connessioni del grill. Se si reimposta la connessione al grill, rimuovere prima l'apparecchio dalle impostazioni Bluetooth del dispositivo mobile precedentemente associato. Per resettare la connessione al grill, tenere premuta la manopola di regolazione per 10 secondi. Un segnale acustico indicherà che il processo è stato completato. Ora eseguire la procedura di associazione con il Bluetooth del dispositivo.
	L'apparecchio è già associato a questo telefono	<ul style="list-style-type: none"> Spegnere l'apparecchio e chiudere l'applicazione. Riaccendere l'apparecchio e riaprire l'applicazione. Se l'apparecchio continua a non associarsi tramite Bluetooth, rimuovere l'apparecchio dalle impostazioni Bluetooth del sistema operativo del telefono cellulare. Sul grill tenere premuta la manopola di regolazione finché non viene emesso un segnale acustico per cancellare le impostazioni Bluetooth del grill e riavviare la procedura di associazione.

PROBLEMI E SOLUZIONI

Problema	Possibile causa	Prevenzione/Soluzione
L'apparecchio non si connette al Wi-Fi	Password del router errata	<ul style="list-style-type: none"> Controllare la password e riprovare la procedura di connessione Wi-Fi.
	Manca il collegamento a internet	<ul style="list-style-type: none"> Verificare l'accesso a Internet su altri dispositivi. Se altri dispositivi hanno accesso a Internet: - Scollegare il grill per 30 secondi, quindi ricollegarla. Verificare la connessione. - Scollegare il router per 30 secondi, quindi ricollegarlo. Verificare la connessione. Eseguire nuovamente la configurazione Wi-Fi nell'applicazione: se la rete Wi-Fi non compare nell'elenco, l'apparecchio potrebbe essere troppo lontano dal router.
	Il router è troppo lontano dal grill	<ul style="list-style-type: none"> Eseguire nuovamente la configurazione Wi-Fi nell'applicazione: se la rete Wi-Fi non compare nell'elenco, l'apparecchio potrebbe essere troppo lontano dal router. Utilizzando un dispositivo mobile, verificare che ci sia accesso a Internet nella zona in cui si trova il grill.
	Ostacoli tra il router e il grill	<ul style="list-style-type: none"> Posizionare il grill in modo tale da ridurre al minimo il numero di pareti e oggetti tra il grill e il router.
	Nessuna connessione Wi-Fi a 2,4 GHz	<ul style="list-style-type: none"> Il grill supporta solo reti Wi-Fi a 2.4 G. È necessario un router alternativo.
Guasto del regolatore <ul style="list-style-type: none"> Console di regolazione non alimentata. Il barbecue si accende correttamente, ma lo schermo di controllo si spegne, il barbecue smette di funzionare. 	Il dispositivo non è collegato alla presa di corrente.	<ul style="list-style-type: none"> Verificare che il cavo di alimentazione sia inserito correttamente nella presa di corrente. Collegarlo alla presa di corrente e riprovare.
	È intervenuto il fusibile del circuito di alimentazione.	<ul style="list-style-type: none"> Controllare se la presa GFCI (RCBO/RCD) o l'interruttore differenziale è intervenuto e ripristinare il circuito.
	<ul style="list-style-type: none"> Malfunzionamento o guasto del cavo d'alimentazione. Malfunzionamento del regolatore (PCB). 	<ul style="list-style-type: none"> Scollegare il barbecue dall'alimentazione. Rimuovere il Pannello comandi e assicurarsi che tutti i cavi siano integri e saldamente collegati, in particolare il cavo d'alimentazione. Se i cavi sono danneggiati, sostituire i componenti e riprovare. Se i cavi sono integri e le connessioni confermate, contattare il servizio clienti per ulteriore assistenza.
Problemi GFCI (RCBO/RCD) <ul style="list-style-type: none"> Console di regolazione non alimentata. Il barbecue si accende correttamente, ma lo schermo di controllo si spegne, il barbecue smette di funzionare. Il pulsante di ripristino del GFCI sporge dalla presa di corrente. 	<ul style="list-style-type: none"> Presa GFCI difettosa. Umidità all'interno della presa di corrente. Presa di corrente non su circuito dedicato. Problemi di interruttore differenziale. 	<ul style="list-style-type: none"> Scollegare tutto dalla presa di corrente. Premere il pulsante di ripristino sulla presa di corrente e assicurarsi che il pulsante test torni in posizione normale. Collegare e accendere il barbecue per circa 10 minuti, controllare se interviene il GFCI. Se il GFCI interviene durante questi 10 minuti, verificare l'assorbimento di ampere del GFCI (si consiglia di utilizzare un GFCI da 13 A). Se si utilizza un GFCI da 13 A e interviene comunque, potrebbe essere necessario rivolgersi a un elettricista. Se il GFCI non interviene in questi 10 minuti e si sta utilizzando un secondo apparecchio sulla stessa presa di corrente, ricollegare e accendere il secondo apparecchio. Se il GFCI interviene con il secondo apparecchio acceso, potrebbe esserci un problema nel secondo apparecchio. Collegare un diverso apparecchio alla stessa presa di corrente e accenderlo. Se il GFCI interviene con il diverso apparecchio, potrebbe essere necessario rivolgersi a un elettricista. Scollegare tutto dalla presa di corrente.

VIKTIG SAKERHETSINFORMATION

SÄKERHETSSYMBOLER

FARA, VARNING och **VAR FÖRSIKTIG** används genomgående i denna användarhandbok för att betona kritisk och viktig information. Läs och följ dessa meddelanden för att garantera säkerheten och förhindra skador på egendom.

Meddelandena definieras nedan.



VAR FÖRSIKTIG

VAR FÖRSIKTIG Påvisar en potentiellt farlig situation eller osäker praxis som, om den inte undviks, kan leda till mindre eller måttliga skador.



VARNING

VARNING: Påvisar en potentiellt farlig situation som, om den inte undviks, kan leda till dödsfall eller allvarlig personskada.



FARA

FARA: Påvisar en omedelbart farlig situation som, om den inte undviks, kommer att leda till dödsfall eller allvarlig personskada.

INSTALLATÖR/MONTERINGSFÖRETAG:

Ge denna bruksanvisning till konsumenten.

KONSUMENT:

Behåll denna bruksanvisning för framtida referens.

Det åligger montören/ägaren att montera, installera och underhålla grillen.

Frågor:

Om du har frågor under monteringen eller användningen av grillen kontaktar du din lokala återförsäljare.

ENDAST FÖR UTOMHUSBRUK

1. Endast för utomhusbruk.
2. Använd inte inomhus eller för kommersiell matlagning.
3. Använd endast apparaten i väl ventilerade utrymmen.



VARNING

- Denna bruksanvisning innehåller viktig information som är nödvändig för korrekt montering och säker användning av apparaten.
- Läs och följ alla varningar och instruktioner innan montering och användning av utrustningen.
- Följ alla varningar och instruktioner när du använder apparaten.
- Behåll denna bruksanvisning för framtida referens.



FARA

- Använd aldrig apparaten utan uppsikt.
- Använd aldrig denna apparat inom 3 m (10 fot) från någon byggnad, brännbara material eller en annan gasflaska.
- Använd aldrig denna apparat inom 7,5 m (25 ft) från brandfarliga vätskor.
- Om brand inträffar ska du hålla dig borta från apparaten och kontakta brandkåren omgående. Försök inte släcka brinnande olja eller fett med vatten. Underlåtenhet att följa dessa instruktioner kan resultera i brand, explosion eller brännskador vilket kan orsaka skador på egendom, personskador eller dödsfall.



VARNING

1. Förvara eller använd inte bensen eller andra brandfarliga vätskor i närheten av denna eller andra apparater.
2. En gasflaska som inte är ansluten för användning får inte förvaras i närheten av denna eller andra apparater.



FARA

Om du känner gaslukt:

1. Stäng av gasen till apparaten
2. Släck alla öppna lågor.
3. Öppna locket.
4. Om lukten fortsätter, håll dig borta från apparaten och ring omedelbart din gasleverantör eller brandkåren.



VARNING

1. Förvara eller använd inte bensen eller andra brandfarliga vätskor i närheten av denna eller andra apparater.
2. En gasflaska som inte är ansluten för användning får inte förvaras i närheten av denna eller andra apparater.



VARNING

För säker användning av din apparat och för att undvika allvarliga personskador:

ANVÄND ENDAST UTOMHUS. ANVÄND ALDRIG INOMHUS.

Läs instruktionerna innan du använder apparaten.

Följ alltid dessa instruktioner.

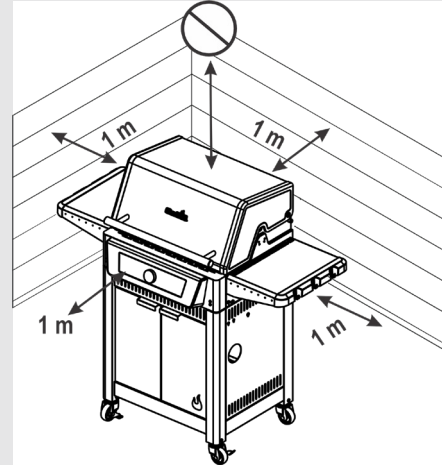
- Flytta inte apparaten under användning.
- Åtkomliga delar kan vara mycket heta. Håll barn på behörigt avstånd. Låt inte barn använda eller leka i närheten av apparaten.
- Stäng av gastillförseln på gasflaskan efter användning.
- Denna apparat måste hållas borta från brandfarliga material under användning.
- Blockera inte hålen i apparatens sidor eller baksida.
- Kontrollera regelbundet brännarnas lågor.
- Blockera inte venturiöppningarna på brännaren.
- Använd endast apparaten i väl ventilerade utrymmen. Använd **ALDRIG** i slutna utrymmen som t.ex. carport, garage, veranda, täckt uteplats, eller under en struktur av något slag.
- Använd inte kol eller keramiska bricketter i en gasapparat.

SKÖTSEL OCH ANVÄNDNING

- **TÄCK INTE** över gallren med aluminiumfolie eller något annat material. Detta blockerar brännarens ventilation och skapar en potentiellt farlig situation som kan leda till skador på egendom och/eller personskador.
- Denna grill återantänds automatiskt med stängt lock, öppna locket före första tändning.
- Använd apparaten på minst 1 m avstånd från väggar och ytor. Håll ett avstånd på 3 m till föremål som kan fatta eld eller antändningskällor, t.ex. pilotlågor på varmvattenberedare, strömförande elektriska apparater etc. Ansamling av icke antänd gas i en sluten apparat är farligt.
- Stäng alltid av gasen vid gasflaskan och koppla från regulatortorn innan du flyttar gasflaskan från det angivna arbetsläget.
- Använd aldrig apparaten med gasflaskan på en annan plats än den angivna platsen.
- Modifiera inte apparaten. Alla modifieringar är strängt förbjudna.
- Tätade delar får inte manipuleras av användaren. Ta inte isär injektorerna.



VARNING



- Stäng alltid av gasen vid gasflaskan och koppla från regulatortorn innan du flyttar gasflaskan från det angivna arbetsläget.
- Använd aldrig apparaten med gasflaskan på en annan plats än den angivna platsen.
- Modifiera inte apparaten. Alla modifieringar är strängt förbjudna. Tätade delar får inte manipuleras av användaren. Ta inte isär injektorerna.
- Använd inte grillen med locket stängt när du lagar mat.

Underlåtenhet att följa samtliga av tillverkarens anvisningar kan leda till allvarig personskada och/eller egendomsskada.

Försök inte reparera eller ändra slangen/ventilen/regulatortorn för något "förmodat" fel. All modifiering av denna monteringskomponent kommer att ogiltigförklara garantin och skapar risk för gasläcka och brand. Använd endast auktoriserade reservdelar som levereras av tillverkaren.

Täck inte över gallren med aluminiumfolie eller något annat material. Detta blockerar brännarens ventilation och skapar ett potentiellt farligt tillstånd som kan resultera i skador på egendom och/eller personskador.

Läs och följ alla säkerhetsförklaringar, monteringsanvisningar och bruksanvisningar innan du försöker montera och laga mat. Vissa delar kan ha vassa kanter. Det rekommenderas att bära skyddshandskar.

Fettbränder

- Det går inte att släcka brinnande fett genom att stänga locket. Av säkerhetsskäl är grillar väl ventilerade.
- Använd inte vatten på en fettbrand, det kan leda till personskador. Om en ihållande fettbrand uppstår, stäng av vreden och gasflaskan.
- Om apparaten inte rengörs regelbundet kan en fettbrand uppstå som kan skada produkten. Var mycket uppmärksam när du förvärmer eller bränner bort matrester för att säkerställa att en fettbrand inte utvecklas. Följ anvisningarna för allmän rengöring av apparaten och rengöring av brännarenheten för att förhindra fettbränder. Det bästa sättet att förhindra fettbränder är regelbunden rengöring av apparaten.
- Lämna inte grillen obevakad under förvärmning eller när du bränner bort matrester på MAX. Om grillen inte rengörs regelbundet kan en fettbrand uppstå som kan skada produkten.

SKÖTSEL OCH ANVÄNDNING

Säkerhetstips

- Innan du öppnar gasflaskans ventil, kontrollera att regulatorm sitter ordentligt fast
- Stäng av styrenheten och gasen när apparaten inte används.
- Använd långa grillredskap för att undvika brännskador och stänk. Använd skyddshandskar när du hanterar varma delar.
- Maximal belastning för sidohyllan är 4,5 kg.
- Fettbehållaren (om sådan finns) måste sättas in i apparaten och tömmas efter varje användning. Ta inte bort fettbehållaren förrän apparaten har svalnat helt.
- Var mycket försiktig när du öppnar locket, eftersom den heta ångan kan strömma ut.
- Var mycket försiktig när barn, äldre eller husdjur finns i närheten.
- Om du märker att fett eller annat hett material droppar från apparaten på ventilen, slangen eller regulatorm, stäng genast av gastillförseln. Fastställ orsaken, åtgärda den, rengör och inspektera ventilen, slangen och regulatorm innan du fortsätter. Utför en läckagekontroll.
- Förvara inte föremål eller material i apparatvagnens hölje som kan blockera flödet av förbränningsluft till undersidan av antingen kontrollpanelen eller eldstaden.
- **KOPPLA INTE** ifrån eller byt gasbehållare inom 3 m från öppen låga eller annan antändningskälla.
- Denna apparat kan användas av personer med nedsatt fysisk, sensorisk eller mental förmåga eller brist på erfarenhet och kunskap om de har fått handledning eller instruktioner om hur apparaten används på ett säkert sätt och förstår de faror som är förknippade med den
- Barn får inte leka med apparaten
- Rengöring och användarunderhåll får inte utföras av barn utan tillsyn
- Om nätsladden är skadad måste den bytas ut av tillverkaren, en servicerepresentant eller liknande behörig personal för att undvika risk.

Gasflaskans placering

Flaskor som placeras i apparaten ska ha en maximal diameter på 340 mm och en maximal höjd, inklusive regulator, på 400 mm. Större flaskor får endast placeras under sidohyllan eller bakom grillen. Flaskor som placeras på marken får inte placeras under värmeplattan.

Regulatorkrav

En regulator måste användas med denna apparat. Använd endast den gasregulator som medföljer grillen. Om en regulator inte medföljer, använd endast en regulator som är certifierad enligt EN16129 (flöde max. 1,5 kg/h) och är godkänd i ditt land och för den gas som anges i Tekniska data.

Slangkrav

Använd endast en godkänd slang som är certifierad enligt tillämplig EN-standard och som inte överstiger 1,5 m längd. För Finland får slangens längd inte överstiga 1,2 m. Kontrollera före varje användning att slangarna inte är avskurna eller slitna. Se till att slangen inte är böjd. Byt ut skadade slangar innan du använder apparaten. Byt ut slangen när det krävs enligt nationella krav.

Tändning med tändaren

- **Luta dig inte över grillen under tändning.**
- 1. Koppla in nätsladden.
- 2. Lyft på locket under tändning eller omtändning.
- 3. Sätt PÅ gasen vid LP-gasflaskan.
- 4. Tryck på strömbrytaren för att slå på styrenheten.
- 5. Vrid vredet till önskad temperatur.
- 6. Tryck på vredet och släpp det för att tända grillen. (För att styra endast en sida av grillen, se instruktionerna i Använda grillen)
- 7. Om grillen inte tänds rensar du felkoden genom att trycka på och hålla in strömbrytaren för att stänga av grillen. Vänta 5 minuter och upprepa tändningsförfarandet.



VARNING

- Stäng av vreden och gasflaskan när de inte används.
- Se till att slangen inte vidrör några varma ytor när den är ansluten.



VAR FÖRSIKTIG

Om grillen inte tänds rensar du felkoden genom att trycka på och hålla in strömbrytaren för att stänga av grillen. Vänta 5 minuter och upprepa tändningsförfarandet. Om brännaren inte tänds när ventilen är öppen fortsätter gasen att strömma ut ur brännaren och kan antändas oavsiktligt med risk för personskador.

Läckagetest av ventiler, slangar och regulatorer

Läckagetesta före första användning, minst en gång per år och varje gång flaskan byts ut eller kopplas bort.

1. Stäng av apparaten.
2. Kontrollera att regulator sitter ordentligt fast på gasflaskan.
3. Slå på gasen. Om du hör brus ska gasen omedelbart stängas av. Det finns ett stort läckage vid anslutningen. Åtgärda innan du fortsätter.
4. Pensla tvällösning (en blandning av hälften tvål, hälften vatten) på slanganslutningarna.
5. Om bubblor växer finns det en läcka. Stäng omedelbart av gasen på gasflaskan och kontrollera att alla anslutningar är täta. Om läckaget inte kan stoppas ska du inte försöka att reparera grillen. Ring och beställ reservdelar.
6. Stäng alltid av gasen på gasflaskan efter läckagetestet.

OM APPARATEN INTE TÄNDS

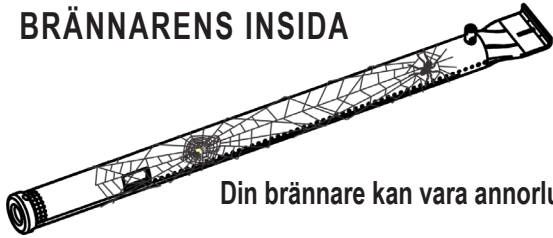
- Kontrollera att gasen är påslagen vid cylindern.
- Kontrollera att det finns gas i flaskan.
- Ger tändaren ifrån sig ett gnistrande ljud? Rök inte under läckagetestet.
 1. Om ja, kontrollera om det finns en gnista vid brännaren.
 2. Om ingen gnista bildas, kontrollera om ledningarna är skadade eller lösa.
- Om ledningarna är OK, kontrollera om elektroderna är spruckna eller trasiga och byt ut den vid behov.
- Om tråden eller elektroderna är täckta av matrester, rengör elektrodspetsen med en spritduk om det behövs.
- Byt ut ledningarna vid behov.
- Kontrollera om det finns någon lös kabelanslutning vid styrenheten.



VAR FÖRSIKTIG

SPINDLAR!

SPINDLAR OCH SPINDELNÄT BRÄNNARENS INSIDA



Din brännare kan vara annorlunda.

- Om det är svårt att tända grillen eller om lågan är svag, kontrollera och rengör venturiöppningarna och brännarna.
- Spindlar och små insekter är kända för att skapa problem med "bakeld" genom att bygga bon och lägga ägg i grillens venturiöppningar eller brännare, vilket hindrar gasflödet. Gasen som ansamlas kan antändas bakom kontrollpanelen. Denna bakeld kan skada grillen och orsaka personskador. För att förhindra bakeld och säkerställa god prestanda bör brännaren och venturiröret tas bort och rengöras om grillen inte har använts under en längre tid.

Rengöring av brännarenheten

Följ dessa anvisningar för att rengöra och/eller byta ut delar av brännarenheten eller om du har problem med att tända grillen.

1. Stäng av gasen vid LP-flaskan.
2. Ta bort grillgallren.
3. Ta bort överföringsrör och fästansordningar som håller fast brännarna.
4. Lossa elektroden från brännaren.
5. Lyft försiktigt varje brännare upp och bort från ventilöppningarna.

Vi föreslår tre sätt att rengöra brännarrören. Använd det som är lättast för dig.

(A) Böj en styv tråd (en lätt klädhängare fungerar bra) till en liten krok. Kör kroken genom varje brännarledning flera gånger.



(B) Använd en smal flaskborste med flexibelt skaft (använd inte en stålborste av mässing). Kör borsten genom varje brännarledning flera gånger.

(C) **Använd ögonskydd:** Använd en luftslang för att tvinga in luft i brännarröret och ut genom brännaröppningarna. Kontrollera varje öppning för att se till att det kommer ut luft ur varje hål.

6. Borsta hela brännarens utsida med en stålborste för att avlägsna matrester och smuts.
7. Rengör alla täppta öppningar med en styv ståltråd, exempelvis ett öppet gem.
8. Kontrollera om brännaren är skadad på grund av normalt slitage och korrosion, vissa hål kan ha utvidgats. Om stora sprickor eller hål finns, byt brännare.

9. Montera elektroden och lågsensorn på brännaren.
10. Sätt försiktigt tillbaka brännaren.
11. Fäst brännarna på eldstadens fästen.
12. Sätt tillbaka överföringsrören och anslut dem till brännarna. Sätt tillbaka grillgallren.
13. Utför en "läckagekontroll" och "brännarkontroll" innan du lagar mat igen på grillen.

Allmän rengöring av apparaten

Eftersom grillbränder kan uppstå när fett och matrester samlas i botten av grillen är det nödvändigt att regelbundet rengöra grillen. Efter varje användning, avlägsna eventuella kvarvarande matrester från grillgallret och insidan av grillen med en Char-Broil Cool-Clean-borste. Spreja sedan Char-Broil Grate Cleaner generöst på gallret, låt det verka i 10 minuter och torka av med en våt trasa eller borste. Rengör grillen när den har svalnat.

- Missta inte bruna eller svarta fettansamlingar och rök för lack. Insidan av en gasgrill lackeras aldrig på fabriken (och får aldrig lackeras). Applicera en stark lösning av rengöringsmedel och vatten eller använd ett apparatreningsmedel med en skurborste på insidan av apparatens lock och botten. Skölj grillen och låt den lufttorka helt. Använd inte frätande rengöringsmedel för vitvaror/ugnar på målade ytor.
- **Plastdelar:** Tvätta med varmt tvålsvatten och torka torrt. Använd inte slipande rengöringsmedel, avfettningsmedel eller koncentrerade rengöringsmedel på plastdelar. Delar kan skadas eller gå sönder.
- **Porslinsytor:** På grund av den glasliknande sammansättningen kan de flesta rester torkas bort med en lösning av bakpulver och vatten, glasrengöringsmedel eller Char-Broil Cleaner. Använd mildt skurpulver på envisa fläckar.
- **Målade ytor:** Tvätta med mildt rengöringsmedel och varmt tvålsvatten eller Char-Broil Grill Cleaner. Torka torrt med en mjuk, icke-slipande trasa.
- **Matlagningsytor:** Se till att inga lösa borststrån finns kvar på matlagningsytorna före grillning. När grillen är varm rekommenderas det endast att rengöra matlagningsytorna med Char-Broil Hot-Cleanersättningshuvud (på Char-Broil Cool-Clean Premium-borste).
- **Styrenhet:** Rengör styrenhetens yta genom att torka av den med en mjuk, torr trasa.

CLEAN-inställning

Grillen är utrustad med en innovativ CLEAN-inställning som möjliggör problemfri rengöring av grillen. Den höga värme som genereras från brännarna förvandlar alla kvarvarande matrester till aska.

Följ dessa steg:

- Efter avslutad grillning och medan temperaturen fortfarande är inställd, tryck och håll in CLEAN-ikonen tills CLN visas på styrenheten.
- Vänta tills grillen har svalnat och använd en Char-Broil Cool-Clean-borste för att ta bort eventuella rester och avyttra askan.
- För att få extra glänsande resultat, använd Char-Broil Grate Cleaner som ett sista steg. Spreja generöst på gallret, låt verka i 10 minuter och torka av med en våt trasa eller borste.

SKÖTSEL OCH ANVÄNDNING

För din säkerhet

- Fettbrickan måste sättas in i apparaten och tömmas efter varje användning.
- Om du har problem med apparaten, se avsnittet "Felsökning".

VIKTIGA SÄKERHETSÅTGÄRDER

Följ alltid grundläggande säkerhetsåtgärder vid användning av elektriska apparater, inklusive följande:

LÄS ALLA INSTRUKTIONER

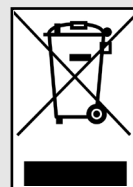
- Rör inte vid heta ytor med oskyddade händer. Använd de handtag och vred som är avsedda att användas.
- Skydda dig mot elektriska stötar genom att inte sänka inte ned sladden, stickpropparna eller styrenheten i vatten eller någon annan vätska.
- Lämna inte apparaten utan uppsikt.
- Noggrann uppsikt krävs när apparaten används av eller nära barn. Håll alltid barn och husdjur borta från apparaten.
- Denna apparat är inte en leksak.
- Lämna aldrig grillen utan uppsikt när den är **PÅ**.
- Dra ur kontakten när den inte används och innan du flyttar eller rengör den.
- Låt svalna innan du sätter fast eller tar av delar. Använd inte apparaten om sladden eller kontakten är skadad eller om apparaten inte fungerar korrekt eller skadats på något sätt.
- Användning av tillbehör som inte rekommenderas av apparatens tillverkare kan orsaka skador. Använd endast tillbehör som rekommenderas av tillverkaren.
- Låt inte sladden hänga över bords- eller bänkkanten eller vidröra heta ytor.
- Använd inte apparaten för något annat än den avsedda användningen. Denna apparat är inte avsedd för och får aldrig användas som ett värmelement.
- För att förhindra att vatten stänker på grillen eller att den faller i vatten får den inte användas närmare än 3 meter från en pool, damm eller annan vattenkälla.
- Håll alltid grillen och den elektriska styrenheten torra och borta från regn.
- Håll elektriska kontakter torra och på avstånd från marken.
- Använd inte vatten eller annan vätskespray för att rengöra produkten utan att först koppla från den elektriska styrenheten.

- Använd inte och förvara inte bensen, fotogen eller andra brandfarliga vätskor inom 7 meters avstånd från grillen medan den används. Håll området runt grillen rent och fritt från brännbara material.
- Flytta inte apparaten under användning.
- Vid matlagning måste apparaten stå på en jämn, stabil yta i ett område som är fritt från brännbara material.
- Användning av alkohol, receptbelagda eller receptfria läkemedel kan påverka konsumentens förmåga att ordentligt montera eller på ett säkert sätt använda apparaten.
- Doppa inte ner apparaten i vatten vid rengöring

För din säkerhet – Om du måste använda en förlängningsladd:

- Använd endast sladd för utomhusbruk som är klassad för 13 ampere eller högre.
- Använd kortast möjliga förlängningsladd. Anslut inte 2 eller flera förlängningsladdar med varandra.
- Håll anslutningarna torra och borta från marken.
- Låt inte sladden hänga över kanten av bordsskivan eller andra föremål där barn kan få tag i eller snubbla över den.

Denna produkt får inte kasseras tillsammans med hushållsavfall. Denna produkt måste kasseras på en plats som är godkänd för återvinning av elektriska och elektroniska apparater. Genom att samla in och återvinna avfall hjälper du till att spara naturresurser och ser till att produkten kasseras på ett miljövänligt och hälsosamt sätt.



Förvaring av apparaten

- Rengör grillgallren.
- Förvara på en torr plats.
- När gasflaskan är ansluten till apparaten ska den förvaras utomhus i ett väl ventilerat utrymme utom räckhåll för barn.
- Täck över apparaten om den förvaras utomhus.
- Förvara **ENDAST** apparaten inomhus om gasflaskan är avstängd och bortkopplad, borttagen från apparaten och förvarad utomhus. Kontrollera att brännaren inte är blockerad när apparaten tas ur förvaring.

För en enkel installation, besök vår webbplats och navigera till produktsidan för Evolve Gas. Du hittar en snabbstartsguide på ditt modersmål som hjälper dig att använda kontrollern.

TEKNISKA DATA

TEKNISKA DATA CHAR-BROIL, LLC				
Apparatens namn	Gasgrill			
Total nominell värmeingång	8,44 KW (614 g/h)		7,62 KW (554 g/h)	
Gaskategori	I3+(28-30/37)	I3B/P(30)	I3B/P(50)	
Modellnr.	468921224		468922224	
Typ av gas	Butan	Propan	Butan, Propan eller blandningar av dessa	Butan, Propan eller blandningar av dessa
Gastryck	28–30 mbar	37 mbar	30 mbar	50 mbar
Injektorstorlek (dia. mm)	Grill: 0,72 x 4 st		Grill: 0,72 x 4 st	Grill: 0,58 x 4 st
Sidobrännare injektorstorlek (dia. mm)	Grill: N/A		Grill: N/A	Grill: N/A
Elektrisk klassning	220–240 V, 50 Hz, 5 W			
Destinationsländer	GB, FR, BE, ES, IT, PT, CZ, SK, CH, CY, GR, IE, LT, LU, LV, TR, SI	DK, NO, NL, SE, FI, IS, CZ, IT, SK, BG, CY, EE, HR, HU, LT, LU, LV, MT, RO, SI, BE, GB, FR	AT, CH, DE, LU, SK	

FELSÖKNING

Problem	Möjlig orsak	Förebyggande/lösning
Grillen når inte rätt temperatur	Börvärdet ändrades	<ul style="list-style-type: none"> • Kontrollera om börvärdet har sänkts.
	Locket lämnades öppet eller öppnas ofta	<ul style="list-style-type: none"> • Om grillens lock lämnas öppet förlängs uppvärmningsprocessen och temperatursensorerna kanske inte visar rätt temperatur. Håll locket stängt under tillagning.
	Fel på temperatursensorn	<ul style="list-style-type: none"> • Kontrollera kabelanslutningarna om temperaturen inte stiger: <ul style="list-style-type: none"> • Stäng av och koppla från grillen. • Ta bort kontrollpanelen och kontrollera att alla kablar är ordentligt anslutna – Sätt tillbaka kontrollpanelen och kontrollera temperatursonden med samma metod. • Om temperaturen fortfarande inte stiger kan temperatursensorn behöva bytas ut • Kontakta kundtjänst för hjälp.
Temperatursonden för livsmedel visas inte på displayen eller visar ett orimligt värde	Inte helt insatt/ansluten	<ul style="list-style-type: none"> • Tryck in sondens kontakt hela vägen in i sonduttaget.
	Livsmedelssonden är skadad	<ul style="list-style-type: none"> • Anslut sonden till ett annat sonduttag och läs av värdet. Byt ut livsmedelssonden om den inte visas på displayen eller om ett orimligt värde visas. Om temperaturen nu visas och har ett rimligt värde provar du det ursprungliga uttaget igen. Om ett felaktigt värde fortfarande visas måste sonduttaget bytas ut. • Kontakta kundtjänst för hjälp.
	Kontaminering i uttaget för livsmedelssonden.	<ul style="list-style-type: none"> • Inspektera de uttag för livsmedelssonden som inte registrerar någon temperatur med en ficklampa för att hitta eventuellt skräp. Om det finns skräp ska du se till att grillen är strömlös och sedan avlägsna skräpet försiktigt. Kontrollera att livsmedelssondens kontakt är ren och torr. Sätt i livsmedelssonden i ett intilliggande uttag för att kontrollera avläsningen. Om ingen temperatur visas i styrenheten för något av uttagen är livsmedelssonden skadad.
	Livsmedelssonden har inte förts in på rätt sätt i maten	<ul style="list-style-type: none"> • Spetsen på sonden ska föras in i den tjockaste delen av maten som ska mätas. Sonden får inte vara i direkt kontakt med något ben eftersom direkt kontakt förhindrar en korrekt avläsning. Sonden får inte komma i kontakt med grillgallret.
Produkten ansluter inte till Bluetooth	Produkten är för långt bort från telefonen	<ul style="list-style-type: none"> • Slutför parkopplingen med enheten inom 1,5 m (5 fot) från telefonen.
	Telefonens Bluetooth är avstängt eller i så är den i flygplansläge	<ul style="list-style-type: none"> • Kontrollera att Bluetooth är aktiverat och att flygplansläget är inaktiverat i inställningarna för din mobila enhet. <ol style="list-style-type: none"> 1. För Android-enheter, se till att platstjänster är aktiverade och att appen har tillstånd att använda platstjänster. Detta gör att Bluetooth kan användas i appen. 2. För iPhone-enheter, kontrollera att Bluetooth är aktiverat för appen i operativsystemets inställningar.
	Produkten är redan parkopplad till en annan telefon	<ul style="list-style-type: none"> • Använd den ursprungliga mobila enheten som är kopplad till produkten eller återställ grillens anslutningar. Om du vill återställa grillanslutningen måste du först ta bort produkten från den mobila enhetens Bluetooth-inställningar. Alternativt kan du stänga av Bluetooth på den tidigare mobila enheten medan du utför parkopplingen. • Tryck och håll in kontrollvredet i 10 sekunder för att återställa grillanslutningen. En ljudsignal hörs som indikerar att återställningen är klar. Gå nu igenom parkopplingsförfarandet för Bluetooth på enheten.
	Produkten är redan parkopplad till samma telefon	<ul style="list-style-type: none"> • Stäng av produkten och stäng appen. Slå på produkten och öppna appen igen. Om produkten fortfarande inte är ansluten via Bluetooth, ta bort produkten från Bluetooth-inställningarna i mobiltelefonens operativsystem. Tryck och håll in kontrollvredet på grillen tills den piper för att rensa grillens Bluetooth-inställningar och starta om parkopplingen.

FELSÖKNING

Problem	Möjlig orsak	Förebyggande/lösning
Produkten ansluter inte till wifi	Felaktigt lösenord för routern	<ul style="list-style-type: none"> Kontrollera lösenordet och försök ansluta till wifi igen.
	Inget internet	<ul style="list-style-type: none"> Kontrollera internetåtkomsten på andra enheter. Om andra enheter har internet kopplar du ur grillen i 30 sekunder och ansluter den sedan igen. Kontrollera anslutningen – Koppla ur routern i 30 sekunder och koppla in den igen. Kontrollera anslutningen. Utför wifi-inställningen i appen igen – om wifi-nätverket inte visas i söklistan kanske produkten är för långt borta från routern.
	Routern är för långt bort från grillen	<ul style="list-style-type: none"> Utför wifi-inställningen i appen igen – om wifi-nätverket inte visas i söklistan kanske produkten är för långt borta från routern. Använd en mobil enhet i det område där grillen är och kontrollera att det finns tillgång till internet.
	Hinder mellan router och grill	<ul style="list-style-type: none"> Placera grillen så att antalet väggar och föremål mellan grillen och routern minimeras.
	Inget 2,4 GHz wifi	<ul style="list-style-type: none"> Grillen stöder endast 2,4 GHz wifi-nätverk. En alternativ router krävs.
Fel på styrenheten <ul style="list-style-type: none"> Ingen ström till styrkonsolen. Grillen startar men styrskärmen blir blank och grillen slutar fungera. 	Enheten är inte inkopplad.	<ul style="list-style-type: none"> Kontrollera att sladden är ordentligt ansluten till uttaget. Anslut till uttaget och kontrollera igen.
	Strömkretsens säkring har löst ut.	<ul style="list-style-type: none"> Kontrollera om jordfelsbrytaren (RCBO/RCD) har utlösts och återställ kretsen.
	<ul style="list-style-type: none"> Fel på nätsladden. Fel på styrenheten (PCB). 	<ul style="list-style-type: none"> Koppla bort grillen från strömförsörjningen. Ta bort kontrollpanelen och kontrollera att alla kablar, särskilt nätsladden, är ordentligt anslutna och inte är skadade. Om kablarna är skadade, byt ut lämpliga komponenter och kontrollera igen. Om kablarna inte är skadade och är korrekt anslutna kontakter du kundtjänst för ytterligare hjälp.
Problem med jordfelsbrytaren (RCBO/RCD) <ul style="list-style-type: none"> Ingen ström till styrkonsolen. Grillen startar men styrskärmen blir blank och grillen slutar fungera. Återställningsknappen för jordfelsbrytaren hoppar ut på uttaget. 	<ul style="list-style-type: none"> Felaktigt jordfelsbrytaruttag. Fukt inuti uttaget. Uttaget är inte på en dedikerad krets. Problem med krets brytaren. 	<ul style="list-style-type: none"> Koppla från allt som är anslutet till uttaget. Tryck på återställningsknappen på uttaget och kontrollera att testknappen återgår till normalt läge. Koppla in och slå på grillen i cirka 10 minuter och kontrollera sedan om jordfelsbrytaren löser ut. Om jordfelsbrytaren löste ut under 10-minutersperioden, kontrollera jordfelsbrytarens ampereförbrukning (vi rekommenderar att du använder en jordfelsbrytare på 13 ampere). Om en 13 ampere jordfelsbrytare används och den fortfarande löser ut kan du behöva anlita en elektriker. Om jordfelsbrytaren inte löste ut under 10-minutersperioden och du använder en annan apparat i samma uttag ska du koppla in och slå på den andra apparaten. Om jordfelsbrytaren löser ut när den andra apparaten är på kan det finnas ett problem med den andra apparaten. Anslut en annan apparat till samma uttag och slå på apparaten. Om den löser ut med en annan apparat kan en elektriker behöva anlitas. Koppla från allt från uttaget.

INFORMACIÓN DE SEGURIDAD IMPORTANTE

SÍMBOLOS DE SEGURIDAD

Las declaraciones de PELIGRO, ADVERTENCIA y PRECAUCIÓN se utilizan a lo largo de este Manual del Propietario para enfatizar información crítica e importante. Lea y siga estas declaraciones para ayudar a garantizar la seguridad y evitar daños a la propiedad.

Las declaraciones se definen a continuación.



PRECAUCIÓN

PRECAUCIÓN: Indica una situación potencialmente peligrosa o una práctica insegura que, si no se evita, puede dar lugar a sufrir lesiones leves o moderadas.



ADVERTENCIA

ADVERTENCIA: Indica una situación potencial de riesgo que, si no se evita, puede dar lugar a la muerte o a sufrir lesiones graves.



PELIGRO

PELIGRO: Indica una situación de riesgo inminente que, si no se evita, dará lugar a la muerte o a sufrir lesiones graves.

INSTALADOR/ENSAMBLADOR:

Deje este manual al cliente.

CONSUMIDOR:

Guarde este manual para referencia futura.

Es responsabilidad del ensamblador/propietario ensamblar, instalar y dar mantenimiento a la parrilla.

Preguntas:

Si tiene preguntas durante el armado o el uso de esta parrilla, póngase en contacto con su distribuidor local.

SOLO PARA USO EN EXTERIORES

1. Solo para uso en exteriores.
2. No lo use en interiores ni para cocinar comercialmente.
3. Use el aparato solo en espacios bien ventilados.



ADVERTENCIA

- Este manual de instrucciones contiene importante información necesaria para el correcto ensamblaje y uso seguro del aparato.
- Lea y siga todas las advertencias e instrucciones antes de armar y usar el aparato.
- Siga todas las advertencias e instrucciones cuando use el aparato.
- Guarde este manual para referencia futura.



PELIGRO

- Nunca opere este aparato sin supervisión.
- Nunca opere este aparato a menos de 10 pies (3 m) de cualquier estructura, material combustible u otro cilindro de gas.
- Nunca opere este aparato a menos de 25 pies (7,5 m) de cualquier líquido inflamable.
- Si se produjera un incendio, manténgase alejado del aparato y llame de inmediato a su departamento de bomberos. No intente extinguir un incendio de aceite o grasa con agua. No seguir estas instrucciones podría provocar un incendio, una explosión o un riesgo de quemaduras, lo que podría causar daños a la propiedad, lesiones personales o la muerte.



ADVERTENCIA

1. No almacene ni utilice gasolina u otros líquidos inflamables cerca de este o cualquier otro aparato.
2. No almacene cilindros de gas que no estén conectados al equipo en las proximidades de este o cualquier otro aparato.



PELIGRO

Si huele gas:

1. Apague la alimentación de gas del aparato
2. Apague cualquier llama abierta.
3. Abra la tapa.
4. Si el olor persiste, aléjese del aparato y llame inmediatamente a su proveedor de gas o su departamento de bomberos.



ADVERTENCIA

1. No almacene ni utilice gasolina u otros líquidos inflamables cerca de este o cualquier otro aparato.
2. No almacene cilindros de gas que no estén conectados al equipo en las proximidades de este o cualquier otro aparato.



ADVERTENCIA

Para un uso seguro de su aparato y para evitar lesiones graves:

SOLO PARA USO EN EXTERIORES. NUNCA DEBE USARSE EN INTERIORES.

Lea las instrucciones antes de utilizar el aparato.

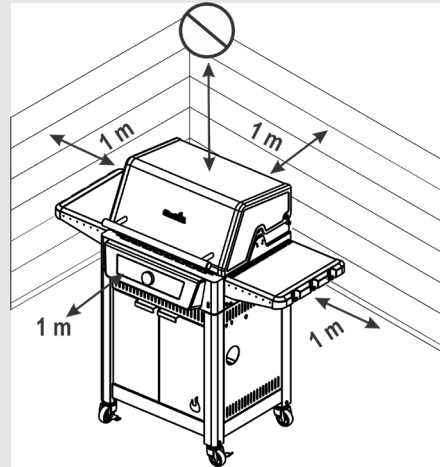
Siempre siga estas instrucciones.

- No mueva el aparato durante su uso.
- Las partes accesibles pueden estar muy calientes. Mantenga alejados a los niños pequeños. No permita que los niños operen o jueguen cerca del aparato.
- Cierre el suministro de gas en el cilindro después de su uso.
- Este aparato debe mantenerse alejado de materiales inflamables durante su uso.
- No bloquee los orificios en los lados o la parte posterior del aparato.
- Verifique las llamas del quemador con regularidad.
- No bloquee las aberturas del venturi en el quemador.
- Use el aparato solo en espacios bien ventilados. **NUNCA** la use en lugares cerrados como un estacionamiento, garaje, porche, patio cubierto o bajo una estructura superior de cualquier tipo.
- No utilice carbón ni briquetas de cerámica en un aparato de gas.

CUIDADO Y USO

- **NO** cubra las rejillas con papel de aluminio ni ningún otro material. Esto bloqueará la ventilación del quemador y creará una condición potencialmente peligrosa que provocará daños a la propiedad y/o lesiones personales.
- Esta parrilla se vuelve a encender automáticamente con la tapa cerrada; abra la tapa antes del primer encendido.
- Utilice el aparato al menos a 1 m de cualquier pared o superficie. Mantenga un espacio libre de 3 m de objetos que pudieran incendiarse o fuentes de ignición como luces de piloto en calentadores de agua, artefactos eléctricos activos, etc. El almacenamiento de gas no encendido dentro de un aparato cerrado es peligroso.
- Siempre cierre el gas en el cilindro y desconecte el regulador antes de mover el cilindro de gas de la posición de operación especificada.
- Nunca opere el aparato con el cilindro de gas fuera de la posición correcta especificada.
- No modifique el aparato. Cualquier modificación está estrictamente prohibida.
- Las piezas selladas no deben ser manipuladas por el usuario. No desmonte los inyectores.

⚠ ADVERTENCIA



- Siempre cierre el gas en el cilindro y desconecte el regulador antes de mover el cilindro de gas de la posición de operación especificada.
- Nunca opere el aparato con el cilindro de gas fuera de la posición correcta especificada.
- No modifique el aparato. Cualquier modificación está estrictamente prohibida. Las piezas selladas no deben ser manipuladas por el usuario. No desmonte los inyectores.
- No utilice la parrilla con la tapa cerrada mientras cocina.

No seguir todas las instrucciones del fabricante podría resultar en lesiones personales graves y/o daños a la propiedad.

No intente reparar o alterar la manguera/válvula/regulador por cualquier "supuesto" defecto. Cualquier modificación en el presente montaje anulará la garantía y generará un riesgo de fuga de gas e incendio. Utilice únicamente repuestos autorizados suministrados por el fabricante.

No cubra las rejillas con papel aluminio o ningún otro material. Esto bloqueará la ventilación del quemador y creará una condición potencialmente peligrosa, la que podría dar como resultado daños a la propiedad y/o lesiones personales.

Lea y siga todas las indicaciones de seguridad, instrucciones de montaje, e indicaciones de uso y cuidado antes de intentar ensamblar y cocinar.

Algunas piezas podrían tener bordes afilados. Se recomienda el uso de guantes protectores.

Fuegos por grasa

- No es posible apagar incendios de grasa cerrando la tapa. Las parrillas están bien ventiladas por razones de seguridad.
- No utilice agua sobre un incendio de grasa. Podrían producirse lesiones personales. Si se produce un incendio persistente de grasa, apague las perillas y el cilindro de gas.
- Si el aparato no se ha limpiado regularmente, puede ocurrir un incendio de grasa que puede dañar el producto. Preste mucha atención al precalentar o quemar los residuos de alimentos para asegurarse de que no se desarrolle un fuego por grasa. Siga las instrucciones sobre limpieza general de aparatos y limpieza del conjunto del quemador para evitar incendios por grasa. La mejor manera de prevenir incendios de grasa es la limpieza periódica del aparato.
- No deje la parrilla desatendida mientras precalienta o quema residuos de comida en MAX. Si la parrilla no se ha limpiado periódicamente, puede producirse un incendio de grasa que podría dañar el producto.

CUIDADO Y USO

Consejos de seguridad

- Antes de abrir la válvula del cilindro de gas, verifique que el regulador esté apretado.
- Cuando el aparato no esté en uso, apague el controlador y el gas.
- Utilice utensilios de parrilla de mango largo para evitar quemaduras y salpicaduras. Utilice guantes protectores al manipular componentes calientes.
- La carga máxima del estante lateral es de 4,5 kg.
- El recipiente para grasa (si está equipado) debe insertarse en el aparato y vaciarse después de cada uso. No retire el recipiente para grasa hasta que el aparato se haya enfriado por completo.
- Tenga mucho cuidado al abrir la tapa, ya que puede salir vapor caliente.
- Tenga mucho cuidado cuando haya niños, ancianos o mascotas cerca.
- Si nota que gotea grasa u otro material caliente del aparato sobre la válvula, la manguera o el regulador, cierre el suministro de gas de inmediato. Determine la causa, corrijala, luego limpie e inspeccione la válvula, la manguera y el regulador antes de continuar. Realice una prueba de fugas.
- No almacene objetos o materiales dentro del gabinete del carro del aparato que puedan bloquear el flujo de aire de combustión hacia la parte inferior del panel de control o de la cámara de combustión.
- **NO** desconecte ni cambie el recipiente de gas a menos de 3 m de una llama abierta u otra fuente de ignición.
- Este aparato puede ser utilizado por personas con capacidades físicas, sensoriales o mentales reducidas o con falta de experiencia y conocimiento si han recibido supervisión o instrucciones sobre el uso del aparato de manera segura y comprenden los peligros involucrados.
- Los niños no deben jugar con el aparato
- Los niños no deben realizar la limpieza ni el mantenimiento del usuario sin supervisión
- Si el cable de alimentación está dañado, debe ser reemplazado por el fabricante, su agente de servicio o personas igualmente calificadas para evitar riesgos.

Colocación del cilindro

Los cilindros colocados en el aparato tendrán un diámetro máximo de 340 mm y una altura máxima, incluido el regulador, de 400 mm. Los cilindros más grandes deben colocarse debajo del estante lateral o solo detrás de la parrilla. Los cilindros colocados en el suelo no se colocarán debajo de la placa calefactora.

Requisitos del regulador

Se debe utilizar un regulador con este aparato. Utilice únicamente el regulador de gas suministrado con su parrilla. Si no se suministra un regulador, utilice únicamente un regulador certificado según EN16129 (caudal máx. 1,5 kg/h) y aprobado para su país y el gas especificado en la sección Información técnica.

Requisitos de la manguera

Utilice únicamente mangueras aprobadas que estén certificadas según el estándar EN correspondiente y que no superen los 1,5 m de longitud. Para Finlandia, la longitud de la manguera no debe exceder los 1,2 m. Antes de cada uso, verifique si las mangueras están cortadas o desgastadas. Asegúrese de que la manguera no esté doblada. Reemplace las mangueras dañadas antes de usar el aparato. Reemplace la manguera según lo requieran los requisitos nacionales.

Encendido del arrancador

- **No se incline sobre la parrilla cuando la esté encendiendo.**
- 1. Enchufe el cable de alimentación de CA.
- 2. Abra la tapa durante el encendido o el reencendido.
- 3. Encienda el gas del cilindro de gas LP.
- 4. Presione el botón de encendido para encender el controlador.
- 5. Gire la perilla a la temperatura deseada.
- 6. Presione y suelte la perilla para encender la parrilla. (Para controlar solo un lado de la parrilla, consulte las instrucciones en la sección Funcionamiento de la parrilla).
- 7. Si no se produce el encendido, elimine el código de error presionando y manteniendo presionado el botón de encendido para apagar la parrilla. Espere 5 minutos y repita el procedimiento de encendido.



ADVERTENCIA

- Apague los controles y el cilindro de gas cuando no estén en uso.
- Asegúrese de que cuando la manguera esté conectada no toque ninguna superficie caliente.



PRECAUCIÓN

Si no se produce el encendido, elimine el código de error presionando y manteniendo presionado el botón de encendido para apagar la parrilla. Espere 5 minutos y repita el procedimiento de encendido. Si el quemador no se enciende con la válvula abierta, el gas seguirá fluyendo fuera del quemador y podría encenderse accidentalmente con riesgo de provocar lesiones.

Prueba de fugas en válvulas, manguera y regulador

Realice una prueba de fugas antes del primer uso, al menos una vez al año y cada vez que se cambie o desconecte el cilindro.

1. Apague el aparato.
2. Asegúrese de que el regulador esté conectado firmemente al cilindro de gas.
3. Encienda el gas. Si oye un sonido de ráfaga, cierre el gas inmediatamente. Hay una fuga importante en la conexión. Corrija antes de continuar.
4. Cepille la solución jabonosa (mezcla de mitad jabón y mitad agua) en las conexiones de las mangueras.
5. Si aparecen burbujas que aumentan de tamaño, existe una fuga. Cierre el gas en el cilindro inmediatamente y verifique el apriete de las conexiones. Si no se pueden detener las fugas, no intente repararlas. Llame para obtener piezas de repuesto.
6. Siempre cierre el gas en el cilindro después de realizar la prueba de fugas.

SI EL APARATO NO SE ENCIENDE

- Asegúrese de que el gas esté abierto en el cilindro.
- Asegúrese de que haya gas en el cilindro.
- ¿El encendedor hace un ruido de chispas? No fume durante la prueba de fugas.
 1. En caso afirmativo, compruebe si hay chispas en el quemador.
 2. Si no hay chispas, verifique si hay cables dañados o sueltos.
- Si los cables están bien, verifique que no haya electrodos agrietados o rotos; reemplácelos si es necesario.
- Si el cable o los electrodos están cubiertos por residuos de cocción, limpie la punta del electrodo con un paño con alcohol si es necesario.
- Si es necesario, reemplace los cables.
- Verifique si hay conexiones de cables sueltas en el controlador.



PRECAUCIÓN

¡ALERTA DE ARAÑAS!

ARAÑAS Y TELARAÑAS DENTRO DEL QUEMADOR



Su quemador podría ser diferente.

- Si se está volviendo difícil que se encienda el fuego de su parrilla o la llama es débil, revise y limpie los venturi y los quemadores.
- Las arañas o insectos pequeños crean problemas de “pequeñas explosiones” construyendo nidos y depositando huevos en el venturi o quemador de la parrilla, obstruyendo el flujo de gas. El gas obstruido podría encenderse detrás del panel de control. Estas explosiones pueden dañar su parrilla y causar lesiones. Para evitarlas y asegurar un buen rendimiento, el ensamblaje del quemador y el tubo venturi deben retirarse y limpiarse cuando la parrilla haya estado inactiva por un largo período de tiempo.

Limpieza del conjunto del quemador

Siga estas instrucciones para limpiar y/o reemplazar piezas del conjunto del quemador o si tiene problemas para encender la parrilla.

1. Apague el gas del cilindro de gas LP.
2. Retire las rejillas de cocción.
3. Retire los tubos de arrastre y los accesorios que sujetan los quemadores.
4. Desconecte el electrodo del quemador.
5. Levante cuidadosamente cada quemador y retírelos de las aberturas de la válvula.

Sugerimos tres maneras para limpiar los tubos del quemador. Use el que sea más fácil para usted.

(A) Doble un alambre rígido (una percha ligera funciona bien) para formar un pequeño gancho. Pase el gancho a través de cada tubo del quemador varias veces.



(B) Utilice un cepillo angosto para botellas con mango flexible (no utilice un cepillo de alambre de latón). Pase el cepillo en cada tubo del quemador varias veces.

(C) **Utilice protección para los ojos:** Utilice una manguera de aire para forzar aire dentro del tubo del quemador y hacia fuera de los puertos del quemador. Revise cada puerto para asegurarse de que el aire salga de cada orificio.

6. Pase el cepillo de alambre por toda la superficie externa del quemador para eliminar la suciedad y los residuos de comida.
7. Limpie los puertos bloqueados con un alambre rígido como un clip abierto.
8. Verifique si el quemador presenta daños; debido al desgaste normal y la corrosión, algunos hoyos pueden haberse agrandado.

9. Conecte el electrodo y el sensor de llama al quemador.
10. Reinstale cuidadosamente las hornillas.
11. Coloque los quemadores en los soportes de la cámara de combustión.
12. Vuelva a colocar los tubos de arrastre y conéctelos a los quemadores. Vuelva a colocar las rejillas de cocción.
13. Antes de volver a cocinar en la parrilla, realice una “Prueba de fugas” y una “Verificación de la llama del quemador”.

Limpieza general del aparato

Es necesaria una limpieza periódica de esta parrilla, ya que podrían ocurrir incendios cuando la grasa y los restos de comida se acumulan en el fondo de la misma. Después de cada uso, elimine cualquier partícula de comida restante de la parrilla de cocción y del interior de la parrilla con un cepillo Char-Broil Cool-Clean. Luego, puede rociar generosamente el limpiador de rejillas Char-Broil sobre la rejilla, deje que actúe durante 10 minutos y limpie con un paño o cepillo húmedo. Realice la limpieza de la parrilla después de que esta se haya enfriado.

- No confunda la acumulación de grasa marrón o negra, ni el humo con pintura. Los interiores de las parrillas a gas no están pintadas de fábrica (y nunca deben pintarse). Aplique una solución fuerte de detergente y agua o use un limpiador de aparatos con un cepillo para fregar en el interior de la tapa y la parte inferior del aparato. Enjuague y deje que se seque completamente al aire. No aplique limpiador cáustico para aparatos/hornos a las superficies pintadas.
- **Piezas de plástico:** Lávelas con agua jabonosa caliente y séquelas. No utilice limpiadores abrasivos, desengrasantes ni limpiadores concentrados para aparatos en las piezas de plástico. Podrían ocasionar daños y fallas en las piezas.
- **Superficies de porcelana:** Debido a su composición similar al vidrio, la mayoría de los residuos se pueden limpiar con una solución de bicarbonato de sodio y agua, limpiacristales o limpiador de rejillas Char-Broil. Utilice polvo limpiador no abrasivo para manchas difíciles.
- **Superficies pintadas:** Lave con un detergente o limpiador suave y agua tibia y jabón o un limpiador para parrillas Char-Broil. Limpie con un paño húmedo no abrasivo hasta que se seque.
- **Superficies de cocción:** Asegúrese de que no queden cerdas sueltas en las superficies de cocción antes de cocinar a la parrilla. Mientras la parrilla está caliente, solo se recomienda limpiar las superficies de cocción con el cabezal de repuesto Char-Broil Hot-Clean (en el cepillo Char-Broil Cool-Clean Premium).
- **Controlador:** Para limpiar la cara del controlador, límpiela con un paño suave y seco.

Configuración de LIMPIEZA

Su parrilla está equipada con una innovadora configuración de LIMPIEZA que permite una limpieza de la parrilla sin complicaciones. El elevado calor generado de los quemadores convertirá en cenizas todos los restos de comida restantes. Siga estos pasos:

- Una vez que haya terminado de asar, mientras la temperatura aún está configurada, presione y mantenga presionado el ícono LIMPIEZA hasta que aparezca CLN en el controlador.
- Una vez que la parrilla esté fría, use un cepillo Char-Broil Cool-Clean para eliminar los restos restantes y desechar las cenizas.
- Para obtener resultados extrabrillantes, utilice el limpiador de rejillas Char-Broil como último paso. Rocíe generosamente el líquido sobre la rejilla, déjelo actuar durante 10 minutos y limpie con un paño húmedo o un cepillo.

CUIDADO Y USO

Para su seguridad

- La bandeja para la grasa debe insertarse en el aparato y vaciarse después de cada uso.
- Si tiene un problema con el aparato, consulte la "Sección de resolución de problemas".

PROTECCIONES IMPORTANTES

Al usar aparatos eléctricos, siempre se deben seguir las precauciones básicas de seguridad, incluidas las siguientes:

LEE TODAS LAS INSTRUCCIONES

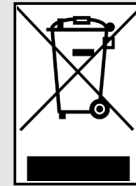
- No toque superficies calientes con las manos sin protección. Use las manijas y perillas provistas para la operación.
- Para protegerse contra descargas eléctricas, no sumerja el cable, los enchufes ni el controlador en agua ni en ningún otro líquido.
- No deje el aparato desatendido.
- Es necesaria una estrecha supervisión cuando cualquier aparato es utilizado por niños o cerca de ellos. Mantenga a los niños y las mascotas alejados del aparato en todo momento.
- Este aparato no es un juguete.
- Nunca deje la parrilla desatendida cuando esté en la posición **ON**.
- Desenchúfela del tomacorriente cuando no esté en uso y antes de moverla o limpiarla.
- Déjelo enfriar antes de poner o quitar piezas. No opere ningún aparato con un cable o enchufe dañado o después de que el aparato funcione mal o haya sido dañado de alguna manera.
- El uso de accesorios no recomendados por el fabricante del aparato puede causar lesiones. Utilice únicamente accesorios recomendados por el fabricante.
- No permita que el cable cuelgue del borde de la mesa o mostrador, ni que toque superficies calientes.
- No utilice el aparato para otro uso que no sea el previsto. Este aparato no está diseñado y nunca debe usarse como un calentador.
- Para evitar que la parrilla se salpique o caiga al agua, no utilice la parrilla a menos de 3 metros de una piscina, estanque u otra masa de agua.
- Mantenga la parrilla y el controlador eléctrico secos y protegidos de la lluvia en todo momento.
- Mantenga los enchufes eléctricos alejados del suelo y secos.
- No utilice agua u otro líquido en aerosol para limpiar el producto sin antes desenchufar el controlador eléctrico.

- No use ni almacene gasolina, queroseno u otros líquidos inflamables a menos de 7 metros de esta parrilla cuando esté en uso. Mantenga el área del aparato despejada y libre de materiales que puedan quemarse.
- No mueva el aparato cuando esté en uso.
- Al cocinar, el aparato debe estar sobre una superficie nivelada y estable en un área libre de materiales combustibles.
- El uso de alcohol, medicamentos recetados o sin receta puede afectar la capacidad del consumidor para ensamblar correctamente u operar el aparato de manera segura.
- No sumerja el aparato en agua para limpiarlo.

Para su seguridad, si debe usar un cable de extensión:

- Utilice únicamente un cable de tipo exterior clasificado para 13 amperios o más.
- Utilice el cable de extensión de la longitud más corta requerida. No conecte 2 o más cables de extensión juntos.
- Mantenga las conexiones secas y fuera del suelo.
- No permita que el cable cuelgue sobre el borde de un encimero donde pueda causar se jalado por niños o causar tropiezos accidentales.

Este producto no debe desecharse junto con los residuos domésticos. Este producto debe desecharse en un lugar autorizado para el reciclaje de aparatos eléctricos y electrónicos. Al recolectar y reciclar desechos, ayuda a ahorrar recursos naturales y se asegura de que el producto se elimine de manera saludable y respetuosa con el medio ambiente.



Almacenamiento de su aparato

- Limpie las parrillas de cocción.
- Guárdela en un lugar seco.
- Cuando el cilindro de gas esté conectado al aparato, guárdelo al aire libre en un espacio bien ventilado y fuera del alcance de los niños.
- Cubra el aparato si lo guarda al aire libre.
- Guarde el aparato en interiores SOLO si el cilindro de gas está apagado y desconectado, retirado del aparato y almacenado al aire libre. Al retirar el aparato del lugar de almacenamiento, verifique que no haya obstrucciones en el quemador.

Para una configuración sencilla, visite nuestro sitio web y navegue hasta la página del producto Evolve Gas. Encontrará una Guía de inicio rápido en su idioma nativo para ayudarlo a operar el controlador.

INFORMACIÓN TÉCNICA

INFORMACION TECNICA CHAR-BROIL, LLC				
Nombre del aparato	Barbacoa a gas/parrilla a gas			
Entrada de calor nominal total	8,44 kw (614 g/h)		7,62 kw (554 g/h)	
Categoría de gas	I3+(28-30/37)	I3B/P(30)	I3B/P(50)	
N.º de modelo	468921224		468922224	
Tipo de gas	Butano	Propano	Butano, propano o sus mezclas	Butano, propano o sus mezclas
Presion del gas	28-30 mbar	37 mbar	30 mbar	50 mbar
Tamaño del inyector (diámetro mm)	Parilla: 0,72 x 4 piezas		Parilla: 0,72 x 4 piezas	Parilla: 0,58 x 4 piezas
Tamaño del inyector del quemador lateral (diámetro mm)	Parilla: N/A		Parilla: N/A	Parilla: N/A
Características nominales eléctricas	220-240 V, 50 Hz, 5 W			
Países de destino	GB, FR, BE, ES, IT, PT, CZ, SK, CH, CY, GR, IE, LT, LU, LV, TR, SI	DK, NO, NL, SE, FI, IS, CZ, IT, SK, BG, CY, EE, HR, HU, LT, LU, LV, MT, RO, SI, BE, GB, FR		AT, CH, DE, LU, SK

RESOLUCIÓN DE PROBLEMAS

Problema	Causa posible	Prevención/Solución
La parrilla no alcanza la temperatura	Punto de ajuste cambiado	<ul style="list-style-type: none"> • Compruebe si se ha reducido el punto de ajuste.
	Tapa dejada abierta o se abre con frecuencia	<ul style="list-style-type: none"> • Dejar la tapa de la barbacoa abierta prolongará el proceso de calentamiento y puede provocar que los sensores de temperatura no lean la temperatura correcta. Mantenga la tapa cerrada mientras cocina.
	Defecto del sensor de temperatura	<ul style="list-style-type: none"> • Si la temperatura no aumenta, verifique las conexiones de los cables: <ul style="list-style-type: none"> • Apague y desenchufe la parrilla. • Retire el panel de control y asegúrese de que todos los cables estén firmemente conectados. Vuelva a ensamblar el panel de control y evalúe la sonda de temperatura con el mismo método. • Si la temperatura aún no aumenta, es posible que sea necesario reemplazar el sensor de temperatura. • Llame al servicio de atención al cliente para obtener ayuda.
La temperatura de la sonda de alimentos no aparece en la pantalla o muestra un valor irrazonable	No está completamente asentado/enchufado	<ul style="list-style-type: none"> • Empuje el enchufe de la sonda hasta el fondo en el conector de la sonda.
	Sonda de alimentos dañada	<ul style="list-style-type: none"> • Conecte la sonda a otro conector para sonda y observe la lectura. Si no aparece ninguna indicación o se muestra un valor irrazonable, reemplace la sonda para alimentos. Si la visualización de la temperatura ahora está activa y en un valor razonable, intente con el conector original una vez más. Si la pantalla sigue mostrando un error, es posible que sea necesario reemplazar el conector de la sonda. • Llame al servicio de atención al cliente para obtener ayuda.
	Contaminación en el conector de la sonda de alimentos	<ul style="list-style-type: none"> • Inspeccione las tomas de la sonda de alimentos que no informan una temperatura con una linterna para encontrar residuos. Si hay residuos, asegúrese de que la parrilla esté apagada y luego retírelos con cuidado. Verifique que el conector de la sonda para alimentos esté limpio y seco. Inserte la sonda para alimentos en un conector adyacente para inspeccionar la lectura. Si no se muestra la temperatura en el controlador para ninguno de los enchufes, entonces la sonda para alimentos está dañada.
	La sonda de alimentos no está correctamente insertada en los alimentos.	<ul style="list-style-type: none"> • La punta de la sonda debe insertarse en la parte más gruesa del alimento que se está midiendo. La sonda de alimentos no debe estar en contacto directo con ningún hueso, ya que el contacto directo impedirá una lectura precisa. La sonda para alimentos no debe estar en contacto con las parrillas para cocinar.
El producto no se conecta a Bluetooth	El producto está demasiado lejos del teléfono.	<ul style="list-style-type: none"> • Complete el proceso de emparejamiento con el dispositivo a menos de 1,5 m (5 pies) del teléfono.
	Bluetooth del teléfono apagado o en modo avión	<ul style="list-style-type: none"> • En la configuración de su dispositivo móvil, asegúrese de que Bluetooth esté activado y que el modo avión esté desactivado. <ol style="list-style-type: none"> 1. Para dispositivos Android, asegúrese de que los servicios de ubicación estén activados y que la aplicación tenga permiso para utilizarlos. Esto permitirá utilizar Bluetooth en la aplicación. 2. Para dispositivos iPhone, verifique que el Bluetooth esté habilitado para la aplicación en la configuración del sistema operativo.
	El producto ya está emparejado con otro teléfono.	<ul style="list-style-type: none"> • Utilice el dispositivo móvil original emparejado con el producto o restablezca las conexiones de la parrilla. Si restablece la conexión de la parrilla, primero elimine el producto de la configuración de Bluetooth del dispositivo móvil. Alternativamente, apague el bluetooth en el dispositivo móvil anterior mientras realiza el proceso de emparejamiento. • Para restablecer la conexión de la parrilla, presione y mantenga presionada la perilla de control durante 10 segundos. Sonará un pitido indicando que el restablecimiento se ha completado. Ahora realice el proceso de emparejamiento de Bluetooth en el dispositivo.
	El producto ya está emparejado con el mismo teléfono.	<ul style="list-style-type: none"> • Apague el producto y cierre la aplicación. Vuelva a encender el producto y vuelva a abrir la aplicación. Si el producto aún no está conectado mediante Bluetooth, elimine el producto de la configuración del dispositivo Bluetooth del sistema operativo del teléfono celular. En la parrilla, mantenga presionada la perilla de control hasta que emita un pitido para borrar la configuración de Bluetooth de la parrilla y reiniciar el proceso de emparejamiento.

RESOLUCIÓN DE PROBLEMAS

Problema	Causa posible	Prevención/Solución
El producto no se conecta a wifi	Contraseña incorrecta del enrutador	<ul style="list-style-type: none"> Verifique la contraseña e intente nuevamente el proceso de conexión wifi.
	Sin internet	<ul style="list-style-type: none"> Verifique el acceso a Internet en otros dispositivos. Si otros dispositivos tienen Internet: - Desenchufe la parrilla durante 30 segundos y vuelva a enchufarla. Verifique la conexión. - Desenchufe el enrutador durante 30 segundos y vuelva a enchufarlo. Verifique la conexión. Vuelva a realizar la configuración de wifi en la aplicación; si la red wifi no aparece en la lista de escaneo, es posible que el producto esté demasiado lejos del enrutador.
	El enrutador está demasiado lejos de la parrilla	<ul style="list-style-type: none"> Vuelva a realizar la configuración de wifi en la aplicación; si la red wifi no aparece en la lista de escaneo, es posible que el producto esté demasiado lejos del enrutador. Con un dispositivo móvil en el área donde se encuentra la parrilla, verifique que haya acceso a internet.
	Obstáculos entre el enrutador y la parrilla	<ul style="list-style-type: none"> Coloque la parrilla de manera que se minimice la cantidad de paredes y objetos entre la parrilla y el enrutador.
	Sin wifi de 2,4 GHz	<ul style="list-style-type: none"> La parrilla solo admite redes wifi de 2,4G. Se requiere un enrutador alternativo.
Falla del controlador <ul style="list-style-type: none"> No llega energía a la consola de control. La parrilla arranca bien pero la pantalla de control se queda en blanco, la parrilla deja de funcionar. 	La unidad no está enchufada.	<ul style="list-style-type: none"> Verifique para asegurarse de que el cable esté enchufado correctamente en el tomacorriente. Enchufe en el tomacorriente y vuelva a evaluar.
	El fusible del circuito de alimentación se ha disparado.	<ul style="list-style-type: none"> Verifique si se ha disparado el tomacorriente o disyuntor GFCI (RCBO/RCD) y restablezca el circuito.
	<ul style="list-style-type: none"> Mal funcionamiento o falla del cable de alimentación. Mal funcionamiento del controlador (PCB). 	<ul style="list-style-type: none"> Desenchufe la parrilla de la corriente. Retire el panel de control y asegúrese de que todos los cables no estén dañados y estén firmemente conectados, especialmente el cable de alimentación. Si los cables están dañados, reemplace los componentes apropiados y vuelva a evaluarlos. Si los cables no están dañados y las conexiones están confirmadas, comuníquese con el servicio de atención al cliente para obtener más ayuda.
Problemas con GFCI (RCBO/RCD) <ul style="list-style-type: none"> No llega energía a la consola de control. La parrilla arranca bien pero la pantalla de control se queda en blanco, la parrilla deja de funcionar. El botón de reinicio GFCI salta en el tomacorriente. 	<ul style="list-style-type: none"> Salida GFCI defectuosa. Salida de humedad en el interior. El tomacorriente no está en un circuito dedicado. Problemas con los interruptores automáticos. 	<ul style="list-style-type: none"> Desenchufe todo del tomacorriente. Presione el botón de reinicio en la salida y asegúrese de que el botón de prueba regrese a la posición normal. Enchufe y encienda la parrilla durante unos 10 minutos, observe si se dispara el GFCI. Si el GFCI se disparó durante el período de 10 minutos, verifique el consumo de amperios del GFCI (recomendamos usar un GFCI de 13 amperios). Si se está utilizando un GFCI de 13 amperios y aún se produce un disparo, es posible que se requiera un electricista. Si el GFCI no se disparó durante el período de 10 minutos, y si está utilizando un segundo aparato en el mismo tomacorriente, vuelva a enchufar y encienda el segundo aparato original. Si el GFCI se dispara con el segundo electrodoméstico encendido, puede haber un problema con el segundo electrodoméstico. Enchufe un aparato diferente en el mismo tomacorriente y enciéndalo. Si se produce un disparo con el aparato diferente, es posible que se requiera un electricista. Desenchufe todo del tomacorriente.

VIGTIGE SIKKERHEDSOPLYSNINGER

SIKKERHEDSSYMBOLER

FARE-, ADVARSEL- og FORSIGTIG-udsagn bruges i denne instruktionsbog til at understrege kritiske og vigtige oplysninger. Læs og følg disse udsagn for at sikre sikkerheden og forhindre skade på ejendommen.

Udsagnene er beskrevet nedenfor.



FORSIGTIG

FORSIGTIG: Angiver en potentielt farlig situation eller usikker praksis, der kan resultere i mindre eller moderat personskade, hvis den ikke undgås.



ADVARSEL

ADVARSEL: Angiver en potentielt farlig situation, der kan resultere i dødsfald eller alvorlig personskade, hvis den ikke undgås.



FARE

FARE Angiver en overhængende farlig situation, der kan resultere i dødsfald eller alvorlig personskade, hvis den ikke undgås.

INSTALLATØR/SAMLER:

Denne brugervejledning opbevares af forbrugeren.

FORBRUGER:

Opbevar denne brugervejledning til senere brug.

Det er montørens/ejerens ansvar at montere, installere og vedligeholde grillen.

Spørgsmål:

Hvis du har spørgsmål om montage eller betjening af dette apparat, skal du kontakte din lokale forhandler.

KUN TIL UDENDØRSBRUG

1. KUN TIL UDENDØRSBRUG
2. Må ikke anvendes indenfor eller til kommerciel madlavning
3. Brug kun grillen et sted med god ventilation.



ADVARSEL

- Denne brugsanvisning indeholder vigtige oplysninger, der er nødvendige for korrekt montering og sikker brug af apparatet.
- Læs og følg alle advarsler og instruktioner, før du monterer og bruger apparatet.
- Følg alle advarsler og instruktioner, når du bruger apparatet.
- Opbevar denne brugervejledning til senere brug.



FARE

- Brug aldrig dette apparat uden opsyn.
- Brug aldrig dette apparat inden for 3 m fra en bygning, brændbart materiale eller en anden gasflaske.
- Brug aldrig dette apparat inden for 7,5 m fra en brandfarlig væske.
- Hvis der opstår brand, skal du holde dig væk fra apparatet og straks ringe til brandvæsenet. Forsøg ikke at slukke en olie- eller fedtbrand med vand. Hvis disse instruktioner ikke følges, kan det resultere i brand, eksplosion eller forbrændingsfare, som kan forårsage materiel skade, personskade eller død.



ADVARSEL

1. Opbevar eller brug ikke benzin eller andre brændbare væsker i nærheden af dette eller andre apparater.
2. En gasflaske, der ikke er tilsluttet til brug, må ikke opbevares i nærheden af dette eller noget andet apparat.



FARE

Hvis du kan lugte gas:

1. Luk for gassen til apparatet
2. Sluk alle åbne flammer.
3. Åbn låget.
4. Hvis lugten fortsætter, skal du holde dig væk fra apparatet og straks ringe til din gasleverandør eller brandvæsenet.



ADVARSEL

1. Opbevar eller brug ikke benzin eller andre brændbare væsker i nærheden af dette eller andre apparater.
2. En gasflaske, der ikke er tilsluttet til brug, må ikke opbevares i nærheden af dette eller noget andet apparat.



ADVARSEL

For sikker brug af dit apparat og for at undgå alvorlige skader:

MÅ KUN BRUGES UDENDØRS. MÅ ALDRIG BRUGES INDENDØRS.

Læs brugervejledningen, før du bruger grillen.

Følg altid disse anvisninger.

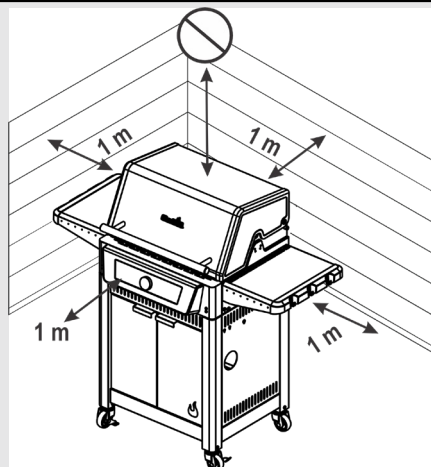
- Flyt ikke apparatet under brug.
- Tilgængelige dele kan være meget varme. Hold små børn væk fra grillen. Lad ikke børn betjene eller lege i nærheden af apparatet.
- Sluk for gasforsyningen på flasken efter brug.
- Denne grill skal holdes væk fra brændbare materialer under brug.
- Bloker ikke huller i apparatets sider eller bagside.
- Kontroller flammerne regelmæssigt.
- Undgå at blokere venturiåbninger på brænderen.
- Brug kun grillen et sted med god ventilation. Brug den **ALDRIG** i et lukket rum som en carport, garage, veranda, overdækket terrasse eller under en hvilken som helst anden overdækket struktur.
- Brug ikke trækul eller keramiske briketter i et gasapparat.

PLEJE & BRUG

- Riste må IKKE dækkes med aluminiumsfolie eller andet materiale. Dette vil blokere brænderens ventilation og skabe en potentielt farlig situation, der kan resultere i materielle skader og/eller personskaade.
- Denne grill tænder automatisk igen med låget lukket, åbn låget før første tænding.
- Brug apparatet mindst 1 m fra enhver væg eller overflade. Hold en afstand på 3 m til genstande, der kan bryde i brand, eller antændelseskilder som f.eks. kontrollamper på vandvarmere, strømførende elektriske apparater osv. Opbevaring af ikke-antændt gas i et lukket apparat er farligt.
- Sluk altid for gasflasken og afbryd regulatoren, før gasflasken flyttes fra den angivne driftsposition.
- Brug aldrig apparatet med gasflasken ude af den korrekte position.
- Du må ikke ændre apparatet. Enhver ændring er strengt forbudt.
- Forseglede dele må ikke manipuleres af brugeren. Injektorerne må ikke skilles ad.



ADVARSEL



- Sluk altid for gasflasken og afbryd regulatoren, før gasflasken flyttes fra den angivne driftsposition.
- Brug aldrig apparatet med gasflasken ude af den korrekte position.
- Du må ikke ændre grillen. Enhver ændring er strengt forbudt. Forseglede dele må ikke manipuleres af brugeren. Du må ikke adskille injektorerne.
- Brug ikke grillen med låget lukket under tilberedningen.

Manglende overholdelse af alle producentens instruktioner kan resultere i alvorlig personskaade og/eller materielle skader.

Forsøg ikke at reparere eller ændre slangen/ventilen/regulatoren på grund af en "formodet" defekt. Enhver ændring af denne enhed vil ugyldiggøre din garanti og skabe risiko for gaslækage og brand. Brug kun autoriserede reservedele, som leveres af fabrikanten.

Riste må ikke dækkes med aluminiumsfolie eller andet materiale. Dette vil blokere ventilen på brænderen og er derfor farligt og kan medføre skade på ejendommen og/eller personskaade.

Læs og følg alle sikkerhed-, monterings- og brugs- og vedligeholdelsesinstruktioner, inden du forsøger at samle den og lave mad.

Nogle dele kan indeholde skarpe kanter. Det anbefales, at bruge beskyttelseshandsker.

Fedtbrande

- Det er ikke muligt at slukke fedtbrande ved at lukke låget. Grillen er godt ventileret af sikkerhedsmæssige årsager.
- Brug ikke vand på en fedtbrand, det kan medføre personskaade. Hvis der opstår en vedvarende fedtbrand, skal du slukke for drejeknapperne og gasflasken.
- Hvis apparatet ikke er blevet rengjort regelmæssigt, kan der opstå en fedtbrand, som kan beskadige produktet. Vær meget opmærksom under forvarmning eller afbrænding af madrester for at sikre, at der ikke opstår en fedtbrand. Følg instruktionerne om generel rengøring af apparatet og rengøring af brænderenheden for at forhindre fedtbrande. Den bedste måde at forebygge fedtbrande på er regelmæssig rengøring af apparatet.
- Efterlad ikke grillen uden opsyn under forvarmning eller afbrænding af madrester på MAX. Hvis grillen ikke er blevet rengjort regelmæssigt, kan der opstå en fedtbrand, som kan beskadige produktet.

PLEJE & BRUG

Sikkerhedstips

- Kontroller at regulatoren er tæt inden du åbner gasflaskeventilen.
- Når apparatet ikke er i brug, skal der slukkes for kontrolenheden og gas.
- Brug grillredskaber med langt skaft for at undgå forbrændinger og stænk. Brug beskyttelsehandsker ved håndtering af varme komponenter.
- Maksimal belastning for sidehylden er 4,5 kg.
- Fedtbeholderen (hvis den findes) skal sættes ind i apparatet og tømmes efter hver brug. Fjern ikke fedtbeholderen, før apparatet er helt afkølet.
- Vær meget forsigtig, når du åbner låget, da varm damp kan undslippe.
- Vær meget forsigtig, når børn, ældre eller kæledyr er i nærheden.
- Hvis du opdager, at der drypper fedt eller andet varmt materiale fra apparatet ned på ventilen, slangen eller regulatoren, skal du straks slukke for gasforsyningen. Afgør årsagen, ret op på den, og rengør og inspicere ventil, slange og regulator, inden du fortsætter. Udfør en lækagetest.
- Opbevar ikke genstande eller materialer inde i apparatets kabinet, der kan blokere forbrændingsluftstrømmen ud af enten kontrolpanelet eller brændebeholderen.
- **DU MÅ IKKE** afbryde eller udskifte gasbeholderen inden for 3 m fra åben ild eller anden antændelseskilde.
- Dette apparat kan anvendes af personer med fysiske eller psykiske begrænsninger eller manglende erfaring og viden, hvis de er under opsyn eller har fået instruktioner om sikker brug af apparatet, og forstår de medfølgende farer.
- Børn må ikke lege med apparatet
- Rengøring og brugervedligeholdelse må ikke foretages af børn uden opsyn
- Hvis netledningen er beskadiget, skal den udskiftes af producenten, dennes serviceagent eller tilsvarende kvalificerede personer for at undgå fare.

Cylinderplacering

Flasker placeret i apparatet skal have en maksimal diameter på 340 mm og en maksimal højde, inklusive regulator, på 400 mm. Større cylindre skal kun placeres under sidehylden eller bag grillen. Flasker, der står på jorden, må ikke placeres under varmepladen.

Krav til regulator

Der skal bruges en regulator sammen med dette apparat. Brug kun den gasregulator, der følger med grillen. Hvis der ikke medfølger en regulator, skal du kun bruge en regulator, der er certificeret i henhold til EN16129 (flowhastighed maks. 1,5 kg/t) og godkendt til dit land og den gas, der er angivet i de tekniske data.

Krav til Koblinger

Brug kun godkendte slanger, der er certificeret i henhold til den relevante EN-standard og ikke overstiger 1,5 m længde. I Finland må slangelængden ikke overstige 1,2 m. Før hver brug skal du kontrollere, om slangerne er skåret over eller slidte. Sørg for, at slangen ikke er bøjet. Udskift beskadigede slanger, før apparatet tages i brug. Udskift slangerne efter lokale krav.

Tænding

- **Læn dig ikke over grillen, når du tænder den.**
- 1. Sæt netledningen i stikkontakten.
- 2. Åbn låget, når du tænder eller genantænder.
- 3. TÆND for gas på LP-cylinderen.
- 4. Tryk på tænd/sluk-knappen for at tænde kontrolenheden.
- 5. Drej knappen til den ønskede temperatur.
- 6. Tryk og slip knappen for at tænde grillen. (Hvis du kun vil styre den ene side af grillen, skal du se instruktionerne i Betjening af grillen)
- 7. Hvis tændingen ikke sker, skal du slette fejlkoden ved at trykke på tænd/sluk-knappen og holde den nede for at slukke for grillen. Vent i 5 minutter, og gentag tændingsproceduren.



ADVARSEL

- Sluk for betjeningselementerne og gasflasken, når de ikke er i brug.
- Sørg for, at den tilsluttede slange ikke berører varme overflader.



FORSIGTIG

Hvis tændingen ikke sker, skal du slette fejlkoden ved at trykke på tænd/sluk-knappen og holde den nede for at slukke for grillen. Vent i 5 minutter, og gentag tændingsproceduren. Hvis brænderen ikke antændes med åben ventil, vil gassen fortsætte med at strømme ud af brænderen og kan antændes ved et uheld med risiko for personskade.

Lækagetest af ventiler, slanger og regulatorer

Test for lækage før første brug, mindst en gang om året, og hver gang flasken udskiftes eller frakobles.

1. Sluk for apparatet.
2. Sørg for, at regulatoren er tæt forbundet med gasflasken.
3. Tænd for gas. Hvis du hører en pibende lyd, skal du straks slukke for gas. Der er en stor lækage ved forbindelsen. Ret før du fortsætter.
4. Børste sæbeopløsning (blanding af halv sæbe og halv vand) på slangeforbindelser.
5. Hvis der opstår bobler der vokser, er der en lækage. Sluk straks for gasen i cylinderen og kontroller tilslutningerne. Hvis lækagen ikke kan stoppes, forsøg ikke at reparere. Skaf reservedele.
6. Sluk altid for gassen på cylinderen efter udførelse af lækagetest.

HVIS APPARATET IKKE TÆNDER

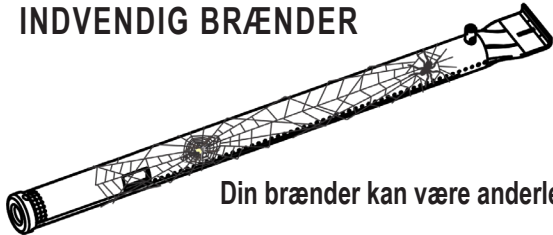
- Sørg for, at der er tændt for gassen ved flasken.
- Sørg for, at der er gas i flasken.
- Laver tændrøret en gnistrende lyd? Ryg ikke under lækagetesten.
 1. Hvis ja, så tjek for gnist ved brænderen.
 2. Hvis der ikke er nogen gnist, skal du kontrollere, om ledningerne er beskadigede eller løse.
- Hvis ledningerne er OK, skal du kontrollere, om elektroden er revnet eller knækket, og udskifte den, hvis det er nødvendigt.
- Hvis ledningen eller elektroden er dækket af madrester, skal elektrodespidsen rengøres med spritserviet, hvis det er nødvendigt.
- Udskift ledningerne, hvis det er nødvendigt.
- Kontrollér, om der er løse ledningsforbindelser ved kontrolenheden.



FORSIGTIG

EDDERKOPADVARSEL!

EDDERKOP OG SPINDELVÆV INDVENDIG BRÆNDER



Din brænder kan være anderledes.

- Hvis din grill er svær at tænde, eller flammen er svag, skal du kontrollere og rengøre ventilationsrørene og brænderne.
- Edderkopper eller små insekter er kendt for at skabe "flashback"-problemer ved at bygge rede og lægge æg i grillens venturi eller brænder, hvilket blokerer for gasflowet. Reservegassen kan antændes bag kontrolpanelet. Dette flashback kan beskadige din grill og forårsage personskade. For at forhindre flashbacks og sikre god ydeevne skal brænderen og venturirøret fjernes og rengøres, når grillen har været inaktiv i en længere periode.

Rengøring af brænderen

Følg disse vejledninger for at rengøre og/eller udskifte dele af brænderen eller, hvis du har problemer med at tænde for grillen.

1. Sluk for gassen ved LP-flasken.
2. Fjern grillristene.
3. Fjern overførselsrør og hardware, der sikrer brændere.
4. Løs elektroden fra brænderen.
5. Løft forsigtigt hver brænder op og væk fra ventilåbninger.

Vi foreslår tre måder at rengøre brænderørene på. Brug den, der er lettest for dig.

(A) Bøj en stiv tråd (en letvægtsbøjle fungerer godt) til en lille krog. Kør krogen gennem hvert brænderør flere gange.

(B) Brug en smal flaskebørste med et fleksibelt skaft (brug ikke en stålbørste af messing). Kør børsten gennem hvert brænderør flere gange.

(C) **Brug øjenbeskyttelse:** Brug en luftslange til at presse luft ind i brænderrøret og ud af brænderåbningerne. Tjek hver port for at sikre, at luften kommer ud.

6. Børst med en trådbørste hele ydersiden af brænderen for at fjerne madrester og snavs.
7. Rengør eventuelle blokerede porte med en stiv tråd, såsom et åbent papirclips.
8. Tjek brænderen for beskadigelse forårsaget af normalt slid og korrosion, nogle huller kan blive større. Hvis der er kommet store revner eller huller, skal du udskifte brænderen.

9. Fastgør elektroden og flammesensoren til brænderen.
10. Udskift forsigtigt brændere.
11. Fastgør brændere til beslag på idkassen.
12. Placer overførselsrør, og sæt dem fast på brændere. Udskift grillriste.
13. Før du laver mad igen på din grill, skal du udføre en "Lækagetest" og "Tjek flammen".

Generel rengøring af apparater

Det er nødvendigt med regelmæssig rengøring af denne grill, da der kan opstå brand i grillen, når fedt og madrester samler sig i bunden af grillen. Efter hver brug skal du fjerne eventuelle madrester fra grillristen og indersiden af grillen med en Char-Broil Cool-Clean-børste. Bagefter kan du spraye Char-Broil Grate Cleaner generøst på risten, lade det virke i 10 minutter og tørre af med en våd klud eller børste. Rengør grillen, når den er kølet af.

- Forveksl ikke brune eller sorte ophobninger af fedt og røg med maling. Indersiden af gasgriller er ikke malet på fabrikken (og må aldrig males). Påfør en stærk opløsning af rengøringsmiddel og vand, eller brug et rengøringsmiddel med skrubbebørste på indersiden af apparatets låg og bund. Skyl og lad det lufttørre helt. Anvend ikke ætsende rengøringsmiddel til apparater/ovne på malede overflader.
- **Plastdele:** Vask med varmt sæbevand, og tør af. Brug ikke slibende rengøringsmidler, affedningsmidler eller koncentreret rengøringsmiddel til apparater på plastdele. Det kan medføre beskadigelse og fejl på dele.
- **Porcelænsflader:** På grund af den glaslignende sammensætning kan de fleste rester tørres væk med en bagepulver/vand-opløsning, glasrens eller Char-Broil Grate Cleaner. Brug ikke-slibende skurepulver til stædige pletter.
- **Malede overflader:** Vaskes med mildt rengøringsmiddel og varmt sæbevand eller Char-Broil Grill Cleaner. Tørre med en blød klud, der ikke er klæbende.
- **Madlavningsoverflader:** Sørg for, at der ikke sidder løse børstehår på madlavningsoverfladerne, før du griller. Mens grillen er varm, anbefales det kun at rengøre madlavningsoverfladerne med Char-Broil Hot-Clean udskiftningshovedet (på Char-Broil Cool-Clean Premium-børste).
- **Kontrolenhed:** For at rengøre kontrolenhedens overflade, tørres den af med en blød, tør klud.

CLEAN-indstilling

Din grill er udstyret med en innovativ CLEAN-indstilling, der giver mulighed for problemfri rengøring af grillen. Den høje varme, der genereres

fra brænderne, vil forvandle alle resterende madrester til aske.

Følg disse trin:

- Når du er færdig med at grille, mens temperaturen stadig er indstillet, skal du trykke på CLEAN-ikonet og holde det nede, indtil CLN vises på kontrolenheden.
- Når grillen er kølet af, skal du bruge en Char-Broil Cool-Clean-børste til at fjerne eventuelle rester og smide asken ud.
- For at få ekstra skinnende resultater kan du bruge Char-Broil Grate Cleaner som et sidste trin. Spray generøst på risten, lad det virke i 10 minutter, og tør af med en våd klud eller børste.

PLEJE & BRUG

Din sikkerhed

- Fedtbeholderen skal indsættes i grillen og tømmes efter hver brug.
- Se afsnittet "Fejlfinding", hvis du har et problem med apparatet.

VIGTIG SIKKERHEDSINFORMATION

Når der anvendes elektriske apparater, skal grundlæggende forholdsregler altid følges, inklusive følgende:

LÆS ALLE INSTRUKTIONER

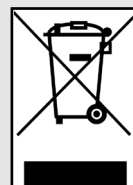
- Rør ikke ved varme overflader med bare hænder. Anvend håndtag og knapper til betjening.
- For at beskytte mod elektrisk stød må ledningen, stikkene eller kontrolenheden ikke nedsænkes i vand eller andre væsker.
- Forlad ikke apparatet uden opsyn.
- Omhyggeligt opsyn er nødvendigt når et apparat bruges af eller i nærheden af børn. Hold børn og kæledyr væk fra apparatet hele tiden.
- Dette apparat er ikke et legetøj.
- Efterlad aldrig grillen uden opsyn, når den er **TÆNDT**.
- Træk stikket ud når grillen ikke er i brug, og før rengøring eller flytning.
- Lad grillen køle ned inden der påsættes eller fjernes dele. Anvend ikke apparatet med en beskadiget ledning eller stik eller efter at apparatet har fejlet eller er blevet beskadiget på nogen måde.
- Anvendelse af tilbehør, der ikke er anbefalet af producenten, kan medføre personskader. Anvend kun tilbehør der er anbefalet af producenten.
- Lad ikke ledningen hænge ud over bordkanter eller berøre varme overflader.
- Brug ikke apparatet til andre formål end det tiltænkte. Dette apparat er ikke beregnet til og bør aldrig bruges som varmeapparat.
- Brug ikke grillen indenfor 3 meters afstand af en pool, dam eller andet vand, så grillen ikke bliver våd.
- Hold altid grillen og den elektriske kontrolknop tørre og væk fra regn.
- Hold strømstik over jorden og tørre.
- Brug ikke vand eller andre sprøjtevæsker til at rengøre produktet uden først at trække stikket ud af den elektriske kontrolenhed.

- Anvend og opbevar ikke benzin, petroleum eller andre brandbare væsker inden for 7 meter af grillen, når den er i brug. Hold området omkring grillen rent og frit for brandfarlige materialer.
- Flyt ikke grillen under brug.
- Når man laver mad, skal apparatet være på en plan, stabil overflade i et område uden brændbart materiale.
- Indtagelse af alkohol og medicin kan hæmme brugerens evne til at samle og anvende apparatet sikkert.
- Dyp ikke apparatet i vand for at rengøre det.

For din sikkerhed – hvis du skal bruge forlængerledning:

- Brug kun udendørs ledninger, der er klassificeret til 13 ampere eller mere.
- Brug den kortest mulige forlængerledning. Sæt ikke 2 eller flere forlængerledninger sammen.
- Hold forbindelserne tørre og over jorden.
- Lad ikke ledningen hænge ud over bordkanter eller andre steder, hvor børn kan komme til at hive i eller falde over den.

Dette produkt må ikke bortskaffes sammen med husholdningsaffald. Dette produkt skal bortskaffes på et autoriseret sted for genbrug af elektriske og elektroniske apparater. Ved at indsamle og genbruge affald er du med til at spare på naturressourcerne, og du sikrer, at produktet bortskaffes på en miljøvenlig og sund måde.



Opbevaring af dit apparat

- Rengør grillriste.
- Opbevares et tørt sted.
- Når gasflasken er tilsluttet apparatet, skal den opbevares udendørs på et godt ventileret sted og utilgængeligt for børn.
- Dæk apparatet til, hvis det opbevares udendørs.
- Opbevar KUN apparatet indendørs, hvis gasflasken er slukket og frakoblet, fjernet fra apparatet og opbevaret udendørs. Når apparatet tages ud af opbevaringsrummet, skal man kontrollere, at brænderen ikke er blokeret.

For en nem opsætning, besøg vores hjemmeside og naviger til produktsiden for Evolve Gas. Du finder en Quick Start Guide på dit modersmål, der hjælper dig med at betjene controlleren.

TEKNISKE DATA

TEKNISKE DATA CHAR-BROIL, LLC				
Apparatets navn	Gasgrill			
Total nominel varmeindgang	8,44 KW(614 g/t)		7,62 KW (554 g/t)	
Gaskategori	I3+(28-30/37)	I3B/P(30)	I3B/P(50)	
Modelnr.	468921224		468922224	
Gastype	Butan	Propan	Butan, Propan eller en blanding af begge	Butan, Propan eller en blanding af begge
Gastryk	28-30 mbar	37 mbar	30 mbar	50 mbar
Injektorstørrelse (dia. mm)	Grill: 0,72 x 4 stk		Grill: 0,72 x 4 stk	Grill: 0,58 x 4 stk
Injektorstørrelse for sidebrændere (dia. mm)	Grill: N/A		Grill: N/A	Grill: N/A
Elektrisk klassificering	220-240 V, 50 Hz, 5 W			
Destinationslande	GB, FR, BE, ES, IT, PT, CZ, SK, CH, CY, GR, IE, LT, LU, LV, TR, SI	DK, NO, NL, SE, FI, IS, CZ, IT, SK, BG, CY, EE, HR, HU, LT, LU, LV, MT, RO, SI, BE, GB, FR	AT, CH, DE, LU, SK	

PROBLEMLØSNING

Problem	Mulig årsag	Forebyggelse/løsning
Grillen kommer ikke op i temperatur	Indstillingspunkt ændret	<ul style="list-style-type: none"> • Kontroller, om indstillingspunktet er blevet sænket.
	Låget står åbent eller åbnes ofte	<ul style="list-style-type: none"> • Hvis du lader grillens låg stå åbent, forlænger det opvarmningsprocessen og kan medføre, at temperatursensorerne ikke aflæser den korrekte temperatur. Hold låget lukket under tilberedningen.
	Defekt temperatursensor	<ul style="list-style-type: none"> • Hvis temperaturen ikke stiger, skal du kontrollere ledningsforbindelserne: <ul style="list-style-type: none"> • Sluk for grillen, og træk stikket ud. • Fjern kontrolpanelet, og sørg for, at alle ledninger er fast forbundet – saml kontrolpanelet igen, og vurder temperatursonden med samme metode. • Hvis temperaturen stadig ikke stiger, kan det være nødvendigt at udskifte temperatursensoren • Ring til kundeservice for at få hjælp.
Fødevarerens temperatur vises ikke i displayet eller viser en urealistisk værdi	Ikke helt på plads/tilsluttet	<ul style="list-style-type: none"> • Skub sondestikket hele vejen ind i sondejackstikket.
	Fødevarerensonde beskadiget	<ul style="list-style-type: none"> • Sæt sonden i et andet sondejackstik, og observer aflæsningen. Hvis der ikke vises noget display, eller hvis der vises en urealistisk værdi, skal fødevarerensonden udskiftes. Hvis temperaturvisningen nu er aktiv og har en rimelig værdi, skal du prøve det originale stik igen. Hvis displayet stadig er dårligt, kan det være nødvendigt at udskifte sondejackstikket. • Ring til kundeservice for at få hjælp.
	Forurening i fødevarerensondejackstikket	<ul style="list-style-type: none"> • Inspicér de fødevarerensondejackstik, der ikke rapporterer en temperatur, med en lommelygte for at finde eventuelt snavs. Hvis der er snavs, skal du sørge for, at der ikke er strøm på grillen, og derefter fjerne snavset forsigtigt. Kontroller, at fødevarerensondens konektor er ren og tør. Stik madsonden ind i et tilstødende jackstik for at tjekke, om der er en aflæsning. Hvis der ikke vises nogen temperatur i kontrolenheden for nogen af jackstikkene, er fødevarerensonden beskadiget.
	Fødevarerensonden er ikke korrekt indsat i maden	<ul style="list-style-type: none"> • Spidsen af sonden skal stikkes ind i den tykkeste del af den mad, der måles. Fødevarerensonden må ikke være i direkte kontakt med nogen knogler, da direkte kontakt vil forhindre en nøjagtig aflæsning. Fødevarerensonden må ikke være i kontakt med grillristene.
Produktet vil ikke oprette forbindelse til Bluetooth	Produktet er for langt væk fra telefonen	<ul style="list-style-type: none"> • Fuldfør parringsprocessen med enheden inden for 1,5 m fra telefonen.
	Telefonens Bluetooth er slået fra eller på flytilstand	<ul style="list-style-type: none"> • Sørg for, at Bluetooth er slået til, og at flytilstand er deaktiveret i indstillingerne på din mobilenhed. <ol style="list-style-type: none"> 1. På Android-enheder skal du sørge for, at placeringstjenester er slået til, og at applikationen har tilladelse til at bruge placeringstjenester. Dette vil gøre det muligt at bruge Bluetooth i applikationen. 2. For iPhone-enheder skal du kontrollere, at Bluetooth er aktiveret for applikationen i styresystemets indstillinger.
	Produktet er allerede parret med en anden telefon	<ul style="list-style-type: none"> • Brug den originale mobilenhed, der er parret med produktet, eller nulstil grillens forbindelser. Hvis du nulstiller grillforbindelsen, skal du først fjerne produktet fra mobilenhedens Bluetooth-indstillinger. Alternativt kan du slukke for Bluetooth på den tidligere mobilenhed, mens du udfører parringsprocessen. • For at nulstille grilltilslutningen skal du trykke på betjeningsknappen og holde den nede i 10 sekunder. Der lyder et bip, som indikerer, at nulstillingen er fuldført. Gå nu igennem parringsprocessen for Bluetooth på enheden.
	Produktet er allerede parret med den samme telefon	<ul style="list-style-type: none"> • Sluk for produktet, og luk programmet. Tænd produktet igen, og åbn programmet igen. Hvis produktet stadig ikke er forbundet via Bluetooth, skal du fjerne produktet fra Bluetooth-enhedsindstillingerne i mobiltelefonens styresystem. Tryk på betjeningsknappen på grillen, og hold den nede, indtil den bipper, for at slette grillens Bluetooth-indstillinger og genstarte parringsprocessen.

PROBLEMLØSNING

Problem	Mulig årsag	Forebyggelse/løsning
Produktet vil ikke oprette forbindelse til Wi-Fi	Forkert adgangskode til routeren	<ul style="list-style-type: none"> Tjek adgangskoden, og prøv Wi-Fi-forbindelsen igen.
	Intet internet	<ul style="list-style-type: none"> Hvis andre enheder har internet: – Tag stikket ud af stikkontakten i 30 sekunder, og sæt det i igen. Tjek for forbindelse. – Tag stikket ud af routeren i 30 sekunder, og sæt det i igen. Tjek for forbindelse. Udfør Wi-Fi-opsætningen i programmet igen – hvis Wi-Fi-netværket ikke vises på scanningslisten, kan produktet være for langt fra routeren.
	Routeren er for langt væk fra grillen	<ul style="list-style-type: none"> Udfør Wi-Fi-opsætningen i programmet igen – hvis Wi-Fi-netværket ikke vises på scanningslisten, kan produktet være for langt fra routeren. Kontrollér, at der er internetadgang med en mobilenhed i det område, hvor grillen er placeret.
	Forhindringer mellem router og grill	<ul style="list-style-type: none"> Placer grillen således, at antallet af vægge og genstande mellem grillen og routeren minimeres.
	Ingen 2,4 GHz Wi-Fi	<ul style="list-style-type: none"> Grillen understøtter kun 2,4G Wi-Fi-netværk. En alternativ router er påkrævet.
Kontrolenhedsfejl <ul style="list-style-type: none"> Ingen strøm til betjeningskonsollen. Grillen starter ok, men kontrolskærmen bliver blank, og grillen holder op med at virke. 	Enheden er ikke tilsluttet.	<ul style="list-style-type: none"> Kontrollér, at ledningen er sat korrekt i stikkontakten. Sæt stikket i stikkontakten, og vurder igen.
	Sikringen i strømkredsen er udløst.	<ul style="list-style-type: none"> Kontrollér, om GFCI (RCBO/RCD) stikkontakt eller afbryder er blevet udløst, og nulstil kredsløbet.
	<ul style="list-style-type: none"> Fejl eller svigt i netledningen. Fejl i kontrolenheden (PCB). 	<ul style="list-style-type: none"> Tag grillens stik ud af stikkontakten. Fjern kontrolpanelet, og sørg for, at alle ledninger ikke er beskadigede, og at de sidder godt fast, især netledningen. Hvis ledningerne er beskadigede, skal du udskifte de relevante komponenter og foretage en ny vurdering. Hvis ledningerne ikke er beskadigede, og forbindelserne er bekræftet, bedes du kontakte kundeservice for yderligere hjælp.
Problemer med GFCI (RCBO/RCD) <ul style="list-style-type: none"> Ingen strøm til betjeningskonsollen. Grillen starter ok, men kontrolskærmen bliver blank, og grillen holder op med at virke. GFCI-nulstillingsknap springer ud på stikkontakten. 	<ul style="list-style-type: none"> Defekt GFCI-stikdåse. Fugt inde i udtaget. Stikkontakt, der ikke er på et dedikeret kredsløb. Problemer med strømafbrydere." 	<ul style="list-style-type: none"> Træk stikket ud af stikkontakten. Tryk på nulstillingsknappen på stikkontakten, og sørg for, at testknappen vender tilbage til normal position. Sæt stikket i, og tænd for grillen i ca. 10 minutter, hold øje med, om GFCI'en springer. Hvis fejlstrømsafbryderen sprang i løbet af de 10 minutter, skal du kontrollere fejlstrømsafbryderens ampereforbrug (vi anbefaler at bruge en 13 ampere fejlstrømsafbryder). Hvis der bruges en 13 ampere GFCI, og den stadig springer, kan det være nødvendigt at tilkalde en elektriker. Hvis fejlstrømsafbryderen ikke sprang i løbet af de 10 minutter, og hvis du bruger et andet apparat i samme stikkontakt, skal du sætte stikket i igen og tænde for det oprindelige andet apparat. Hvis GFCI'en springer, når det andet apparat er tændt, kan der være et problem med det andet apparat. Sæt et andet apparat i samme stikkontakt, og tænd for apparatet. Hvis sikringen springer med et andet apparat, kan det være nødvendigt at tilkalde en elektriker. Træk stikket ud af stikkontakten.

VIKTIG SIKKERHETSINFORMASJON

SIKKERHETSSYMBOLER

FARE, ADVARSEL og **FORSIKTIG** er utsagn som brukes gjennom hele denne brukerhåndboken for å understreke kritisk og viktig informasjon. Les og følg disse meddelelsene for å ivareta sikkerheten og hindre materielle skader.

Utsagnene er definert nedenfor.



FORSIKTIG

FORSIKTIG: Indikerer en potensielt farlig situasjon eller utrygg praksis som, hvis den ikke unngås, kan resultere i mindre eller moderate skader.



ADVARSEL

ADVARSEL: Indikerer en potensielt farlig situasjon som, dersom den ikke unngås, kan resultere i død eller alvorlig skade.



FARE

FARE: Indikerer en overhengende farlig situasjon som, dersom den ikke unngås, vil resultere i død eller alvorlig skade.

INSTALLATØR/MONTERER:

Forbrukeren skal ha denne bruksanvisningen.

FORBRUKER:

Ta vare på denne bruksanvisningen for fremtidig referanse.

Det er montørens/eierens ansvar å montere, installere og vedlikeholde grillen.

Spørsmål:

Dersom du har spørsmål under monteringen eller bruk av denne grillen, kontakt den lokale forhandleren din.

KUN FOR UTENDØRS BRUK

1. Kun for utendørs bruk.
2. Ikke bruk innendørs eller til kommersiell matlaging.
3. Bruk apparatet kun på godt ventilerte steder.



ADVARSEL

- Denne bruksanvisningen inneholder viktig informasjon som er nødvendig for riktig montering og sikker bruk av apparatet.
- Les og følg alle advarsler og instruksjoner før montering og bruk av apparatet.
- Følg alle advarsler og instruksjoner når du bruker apparatet.
- Ta vare på denne bruksanvisningen for fremtidig referanse.



FARE

- Bruk aldri dette apparatet uten tilsyn.
- Bruk aldri dette apparatet innenfor 10 fot (3m) fra noen struktur, brennbart materiale eller annen gassflaske.
- Bruk aldri dette apparatet innenfor 25 fot (7,5 m) fra brennbar væske.
- Hvis det skulle oppstå brann, hold deg unna apparatet og ring brannvesenet umiddelbart. Ikke prøv å slukke en olje- eller fettbrann med vann. Unnlattelse av å følge disse instruksjonene kan føre til brann, eksplosjon eller brannfare, som kan forårsake skade på eiendom, personskade eller død.



ADVARSEL

1. Ikke oppbevar eller bruk bensin eller andre brennbare væsker i nærheten av dette eller andre apparater.
2. En gassflaske som ikke er tilkoblet for bruk skal ikke oppbevares i nærheten av dette eller noe annet apparat.



FARE

Hvis du lukter gass:

1. Slå av gassen til apparatet
2. Slukk enhver åpen ild.
3. Åpne lokket.
4. Hvis lukten fortsetter må du holde deg unna apparatet og umiddelbart ringe gassleverandøren eller brannvesenet.



ADVARSEL

1. Ikke oppbevar eller bruk bensin eller andre brennbare væsker i nærheten av dette eller andre apparater.
2. En gassflaske som ikke er tilkoblet for bruk skal ikke oppbevares i nærheten av dette eller noe annet apparat.



ADVARSEL

For sikker bruk av apparatet og for å unngå alvorlige skader:

BRUKES KUN UTENDØRS. BRUKES ALDRI INNENDØRS.

Les instruksjonene før du bruker apparatet.

Følg alltid instruksjonene.

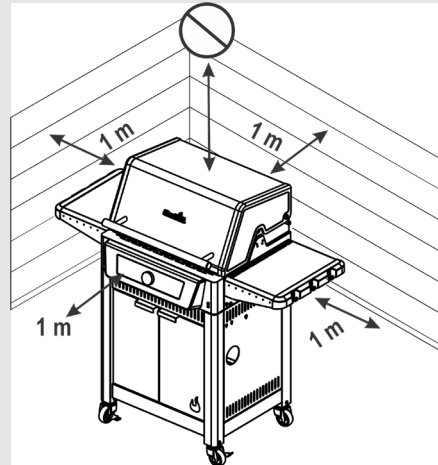
- Ikke flytt apparatet under bruk.
- Deler kan være svært varme. Hold barn på avstand. Ikke la barn bruke eller leke i nærheten av apparatet.
- Slå av gassforsyningen på gassylindere etter bruk.
- Dette apparatet må holdes unna brennbare materialer under bruk.
- Ikke blokker hull i sidene eller baksiden av apparatet.
- Hold øye med flammene.
- Ikke blokker venturi-åpningene på brenneren.
- Bruk apparatet kun på godt ventilerte steder. **ALDRI** bruk den i et lukket område som carport, garasje, terrasse, ovebygget veranda, eller under noen som helst form for område med tak.
- Ikke bruk kull eller keramiske briketter i et gassapparat.

VEDLIKEHOLD OG BRUK

- **IKKE** dekk ristene med aluminiumsfolie eller annet materiale. Dette vil blokkere brennerens ventilasjon og skape en potensielt farlig tilstand som resulterer i skade på eiendom og/eller personskade.
- Denne grillen tenner automatisk med lokket lukket, åpner du lokket før første tenning.
- Bruk apparatet minst 1 m fra enhver vegg eller overflate. Hold 3 m klaring til gjenstander som kan ta fyr eller antennelseskilder som pilotlys på varmtvannsberedere, strømførende elektriske apparater osv. Lagring av ikke-antent gass inne i et lukket apparat er farlig.
- Slå alltid av gassen på sylinder og koble regulatoren fra før gassbeholderen flyttes fra spesifisert driftsstilling.
- Bruk aldri apparatet med gassflasken utenfor riktig posisjon spesifisert.
- Ikke modifier apparatet. Alle endringer er strengt forbudt.
- Forseglede deler må ikke røres av brukeren. Ikke demonter injektorer.



ADVARSEL



- Slå alltid av gassen på sylinder og koble regulatoren fra før gassbeholderen flyttes fra spesifisert driftsstilling.
- Bruk aldri apparatet med gassflasken utenfor riktig posisjon spesifisert.
- Ikke modifier apparatet. Alle endringer er strengt forbudt. Forseglede deler må ikke røres av brukeren. Ta ikke fra hverandre injektorene.
- Ikke bruk grillen med lokket lukket under matlaging.

Dersom produsentens instruksjoner ikke følges, kan dette føre til alvorlig personskade og/eller skade på eiendom.

Ikke forsøk å reparere eller endre slangen/ventilen/regulatoren for noen «antatt» defekthet. Enhver endring av vil annullere garantien og skape risiko for gasslekkasje og brann. Bruk kun autoriserte deler fra leverandøren.

Ikke dekk ristene med aluminiumsfolie eller annet materiale. Dette vil blokkere brennerventilasjonen og skape en potensielt farlig tilstand som kan medføre skade på eiendom og / eller personer.

Les og følg alle sikkerhetserklæringer, monteringsanvisninger og bruk- og vedlikeholdsveiledninger før du prøver å montere den og lage mat. Noen deler har skarpe kanter. Beskyttelseshansker anbefales.

Fettbrann

- **Slukking av fettbranner ved å lukke lokket er ikke mulig. Grillene er godt ventilert av sikkerhetsmessige årsaker.**
- Ikke bruk vann på en fettbrann, det kan føre til personskade. Hvis det oppstår en vedvarende fettbrann, skru du av knottene og gassflasken.
- Hvis apparatet ikke har blitt rengjort regelmessig, kan det oppstå fettbrann som kan skade produktet. Vær nøye med å forvarme eller brenne av matrester for å sikre at det ikke utvikles fettbrann. Følg instruksjonene for generell rengjøring og rengjøring av brennerenheten for å forhindre fettbrann. Den beste måten å forhindre fettbrann på er regelmessig rengjøring av apparatet.
- Ikke la grillen stå uten tilsyn mens du forvarmer eller brenner av matrester på MAKS. Hvis grillen ikke har blitt rengjort regelmessig, kan det oppstå fettbrann som kan skade produktet.

VEDLIKEHOLD OG BRUK

Sikkerhetstips

- Før du åpner gassflaskeventilen, må du kontrollere om regulatoren er tett.
- Når apparatet ikke er i bruk, slår du av kontrolleren og gassen.
- Bruk grillredskaper med lang skaft for å unngå brannskader og sprut. Bruk gode hansker når du rører spesielt varme deler.
- Maksimal belastning for sidehulle er 4,5 kg.
- Fettbegeret (hvis utstyrt) må settes inn i apparatet og tømmes etter hver bruk. Ikke fjern fettbeger før apparatet er helt avkjølt.
- Vær forsiktig når du åpner lokket da varm damp kan komme ut.
- Vær forsiktig med barn, eldre, og dyr i nærheten.
- Hvis du merker at fett eller annet varmt materiale drypper fra apparatet på ventil, slange eller regulator, må du slå av gasstilførselen med en gang. Finner du grunnen, korrigerer dette, deretter renser og inspiserer du ventil, slange og regulator før du fortsetter. Utfør en lekkasjetest.
- Ikke oppbevar gjenstander eller materialer inne i apparatvognens kabinett som vil blokkere strømmen av forbrenningsluft til undersiden av verken kontrollpanelet eller brennkammerskålen.
- **IKKE** koble fra eller bytt gassbeholder innen 3 m fra åpen ild eller annen tennkilde.
- Dette apparatet kan brukes av personer med reduserte fysiske, sensoriske eller mentale evner eller mangel på erfaring og kunnskap hvis de har fått tilsyn eller instruksjoner om bruk av apparatet på en sikker måte og forstår farene involvert.
- Barn skal ikke leke med apparatet
- Rengjøring og brukervedlikehold skal ikke utføres av barn uten tilsyn
- Hvis strømledningen er skadet, må den skiftes ut av produsenten, deres servicerepresentant eller tilsvarende kvalifiserte personer for å unngå fare.

Bytte av flaske

Flasker plassert i apparatet skal ha en maksimal diameter på 340 mm og maksimal høyde, inkludert regulator, på 400 mm. Store flasker må kun plasseres under sidehyllen eller bak grillen. Flasker plassert på bakken skal ikke plasseres under varmeplaten.

Krav til regulator

En regulator må brukes med dette apparatet. Bruk kun gassregulator som følger med grillen. Hvis en regulator ikke er levert, bruk kun regulator sertifisert i henhold til EN16129 (strømningshastighet maks. 1,5 kg/t) og godkjent for ditt land og gass spesifisert i tekniske data.

Krav til slange

Bruk kun godkjent slange som er sertifisert i henhold til passende EN-standard og som ikke overstiger 1,5 m lengde. For Finland skal slangelengden ikke overstige 1,2 m. Kontroller før hver bruk om slangene er kuttet eller slitt. Pass på at slangen ikke er bøyd. Skift ut skadede slanger før du bruker apparatet. Erstatt slangen ihht. nasjonale forskrifter.

Tenne opp med tenneren

- **Ikke len deg over grillen når du tenner opp.**
- 1. Koble til strømledningen.
- 2. Åpne dekselet både ved første opptenning og opptenning på nytt.
- 3. Slå PÅ gass på LP-flasken.
- 4. Trykk på strømknappen for å slå på kontrolleren.
- 5. Vri bryteren til ønsket temperatur.
- 6. Trykk og slipp knappen for å tenne grillen. (For å kontrollere bare én side av grillen, ser du instruksjonene under Grilldrift.)
- 7. Hvis tenning ikke oppstår, fjern feilkoden ved å trykke og holde inne strømknappen for å slå av grillen. Vent 5 minutter og gjenta belsningsprosedyren.



ADVARSEL

- Slå av kontrollene og gassflasken når den ikke er i bruk.
- Forsikre deg om at slangen ikke er nær varme overflater når koblet til.



FORSIKTIG

Hvis tenning ikke oppstår, fjern feilkoden ved å trykke og holde inne strømknappen for å slå av grillen. Vent 5 minutter og gjenta belsningsprosedyren. Hvis brenneren ikke tenner med ventilen åpen, fortsetter gass å strømme ut av brenneren og kan antennes ved et uhell med fare for skade.

Lekkasjetesting av ventiler, slange og regulator

Lekkasjetest før første gangs bruk, minst en gang i året, og hver gang flasken skiftes eller kobles fra.

1. Slå av apparatet.
2. Pass på at regulatoren er stramt tilkoblet til gassflasken.
3. Slå på gassen. Dersom du hører lyden av noe som strømmer, slå av gassen umiddelbart. Det er i så fall en stor lekkasje ved tilkoblingen. Utbedre dette før du fortsetter.
4. Børst såpeblanding (blanding med halvparten såpe og halvparten vann) på slangetilkoblinger.
5. Dersom voksende bobler dukker opp, er det en lekkasje. Slå av gassen til sylindere øyeblikkelig og sjekk om tilkoblingene er strammet godt nok. Dersom lekkasjen ikke kan stoppes, ikke prøv å reparere. Få delene byttet ut.
6. Slå alltid av gassen på flasken etter du har utført en lekkasjetest.

HVIS APPARATET IKKE LYSER

- Sørg for at gassen er slått på ved flasken.
- Sørg for at det er gass i flasken.
- Gir tenneren en gnistlyd? Ikke røyk under lekkasjetest.
 1. Hvis ja, se etter gnister ved brenneren.
 2. Hvis ingen gnist, kontroller for skadede eller løse ledninger.
- Hvis ledningene er OK kontrollerer du for sprukket eller ødelagt elektrode, og skifter ut om nødvendig.
- Hvis ledning eller elektroder er dekket av matlagingsrester, rengjøres elektrodespissen med alkoholserviett om nødvendig.
- Bytt ledninger om nødvendig.
- Se etter løs ledningsforbindelse på kontrolleren.



FORSIKTIG

EDDERKOPPADVARSEL!

EDDERKOPP OG NETT INNSENDIG BRENNER



Brenneren din kan være annerledes.

- Hvis grillen begynner å bli vanskelig å tenne eller flammen er svak, kontroller og rengjør venturis og brennere.
- Edderkopper eller små insekter er kjent for å skape tilbakeslagsproblemer ved å bygge reir og legge egg i grillens venturi eller brenner, og hindre gasstrømmen. Oppbygging av gass kan antennes bak kontrollpanelet. Dette tilbakeslaget kan skade grillen og forårsake skade. For å forhindre tilbakeslag og sikre god ytelse, bør brenneren og venturirøret fjernes og rengjøres når grillen har vært inaktiv i en lengre periode.

Rengjøring av brennerenheten

Følg disse instruksjonene for å rengjøre og/eller erstatte deler av brennerenheten eller hvis du har problemer med å tenne grillen.

1. Slå av gassen ved LP-flasken.
2. Fjern grillristene.
3. Fjern overførte rør og maskinvaresikringsbrennere.
4. Koble elektroden fra brenneren.
5. Løft hver brenner forsiktig opp og vekk fra ventilåpningene.

Vi foreslår tre måter å rengjøre brennerørene på. Bruk den som er lettest for deg.

(A) Bøy en stiv tråd (en lett kleshenger fungerer bra) til en liten krok. Kjør kroken gjennom hvert brennerør flere ganger.



(B) Bruk en smal flaskebørste med et fleksibelt håndtak (ikke bruk en stålbørste av messing). Kjør børsten gjennom hvert brennerør flere ganger.

(C) **Bruk øyevern:** Bruk en luftslange for å tvinge luft inn i brennerøret og ut av brennerportene. Kontroller hver port for å sikre at det kommer luft ut hvert hull.

6. Stålbørste hele den ytre overflaten av brenneren for å fjerne matrester og smuss.
7. Rengjør eventuelle blokkerte porter med en stiv ledning som en åpen binders.
8. Kontroller brenneren for skade på grunn av normal slitasje og korrosjon, noen hull kan bli forstørret. Hvis det blir funnet store sprekker eller hull, bytt brenneren.
9. Fest elektroden og flammesensoren til brenneren.

10. Skift brennerne forsiktig.
11. Fest brennere til brakettene på brennkammeret.
12. Flytt overføringsrørene og fest dem til brennerne. Bytt ut matlagingsristene.
13. Før du lager mat igjen på grillen, utføres en «lekkasjetest» og «brennerflamme kontroll».

Generell rengjøring av apparater

Periodisk rengjøring av denne grillen er nødvendig, siden grillbranner kan oppstå når fett og matrester samler seg i bunnen av grillen. Etter hver bruk fjernes eventuelle gjenværende matpartikler fra grillristen og innsiden av grillen med en grillristbørste. Etterpå kan du spraye grillristrengjøringsmiddel i sjenerøse mengder på risten, la den virke i 10 minutter og tørke av med en våt klut eller børste. Utfør grillrengjøring etter at grillen er avkjølt.

- Ikke forveksle brun eller svart ansamling av fett og røyk med maling. Interiør på gassgriller males ikke på fabrikken (og skal aldri males). Påfør en sterk løsning av vaskemiddel og vann eller bruk et rengjøringsmiddel med skrubbebørste på innsiden av apparatlokket og bunnen. Skyll og la den lufttørke helt. Ikke bruk etsende apparat/ovnsrens på malte overflater.
- **Plastdeler:** Vask med varmt såpevann og tørk. Ikke bruk skurende rengjøringsmidler, avfettingsmidler eller konsentrert apparatrengjøringsmiddel på plastdeler. Dette kan føre til skade og at delene ikke fungerer.
- **Porselenoverflater:** På grunn av glasslignende sammensetning kan de fleste rester tørkes bort med natron/vannoppløsning, glassrens eller grillristrengjøringsmiddel. Bruk ikke-slipende skurepulver for vanskelige flekker.
- **Malte overflater:** Vask med mildt vaskemiddel eller rengjøringsmiddel og varmt såpevann eller grillristrengjøringsmiddel. Tørk av med en myk klut uten sliping.
- **Matlagingsflater:** Pass på at det ikke er løs bust igjen på kokeoverflaten før grilling. Mens grillen er varm, anbefales det kun å rengjøre kokeoverflaten med grillbørstehodet.
- **Kontroller:** For å rengjøre kontrolloverflaten, tørk av med en myk, tørr klut.

RENS-innstilling

Grillen din er utstyrt med en innovativ RENS-innstilling som muliggjør problemfri rengjøring av grillen. Den høye varmen som genereres fra brennerne vil gjøre alt gjenværende matrester til aske.

Følg disse instruksjonene:

- Etter at du er ferdig med grillingen, mens temperaturen fortsatt er innstilt, trykk og hold RENS-ikonet til CLN vises på kontrolleren.
- Når grillen er avkjølt, bruk en grillristbørste for å fjerne rester og kaste asken.
- For å få ekstra skinnende resultater, brukes grillristrengjøringsmiddel som et siste trinn. Spray sjenerøst på risten, la den virke i 10 minutter og tørk av med en våt klut eller børste.

VEDLIKEHOLD OG BRUK

For din sikkerhet

- Fettbrettet må settes inn i apparatet og tømmes etter hvert bruk.
- Hvis du har et problem med apparatet, se avsnittet med «Feilsøking».

VIKTIGE SIKKERHETSTILTAK

Når du bruker elektriske apparater, skal du alltid følge grunnleggende sikkerhetstiltak inkludert følgende:

LES ALLE INSTRUKSJONENE

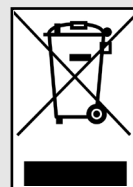
- Ikke berør varme overflater med ubeskyttede hender. Bruk håndtak og knapper som er laget for bruk av grillen.
- For å beskytte mot elektrisk støt må du ikke dyppe ledningen, pluggene eller kontrollen i vann eller annen væske.
- Ikke forlat apparatet uten tilsyn.
- Nøye tilsyn er nødvendig når et apparatet brukes av eller er i nærheten av barn. Hold barn og kjæledyr borte fra apparatet til enhver tid.
- Dette apparatet er ikke et leketøy.
- La aldri grillen stå uten tilsyn når den er **PÅ**.
- Koble fra strømforsyningen når den ikke er i bruk og før flytting eller rengjøring.
- La den kjøles ned før du setter på eller tar av deler. Ikke bruk apparater med skadet strømledning eller støpsel, eller etter apparatet har hatt funksjonsfeil eller er blitt skadet på noen som helst måte.
- Bruk av tilleggsutstyr som ikke er anbefalt av produsenten kan føre til personskader. Bruk kun tilleggsutstyr som er anbefalt av produsenten.
- Ikke la ledningen henge over kanten på et bord eller disk, eller berøre varme overflater.
- Ikke bruk apparatet til annet enn tilsiktet bruk. Dette apparatet er ikke ment som og må aldri brukes som et varmeapparat.
- For å hindre at grillen blir utsatt for vannsprut eller at den faller ned i vann, ikke bruk grillen nærmere enn 3 meter fra et basseng, en dam eller andre vannkilder.
- Hold grillen og den elektriske kontrollenheten tørr og borte fra regn til enhver tid.
- Hold elektriske støpsler borte fra bakken og tørre.
- Ikke bruk vann eller annen flytende spray for å rengjøre produktet uten først å koble fra den elektriske kontrollen.

- Ikke bruk eller lagre bensin, parafin eller andre brennbare væsker innen 7 meter fra denne grillen når den er i bruk. Hold området rundt apparatet ryddet og fri for brennbare materialer.
- Ikke flytt apparatet når det er i bruk.
- Når du lager mat, må apparatet stå på en jevn og stabil overflate i et område som er fri for brennbare materialer.
- Bruk av alkohol, reseptbelagte eller ikke-reseptbelagte legemidler kan påvirke forbrukerens evne til å montere skikkelig eller bruke apparatet på en trygg måte.
- Ikke senk apparatet ned i vann for å rengjøre

For sikkerheten din – dersom du er nødt til å bruke en skjøteledning:

- Bruk kun ledning av typen utendørs som er klassifisert for 13 ampere eller høyere.
- Bruk så kort skjøteledning som mulig. Ikke koble sammen 2 eller flere skjøteledninger.
- Hold koblingene tørre og over bakken.
- Ikke la ledninger henge over kanten på et bord eller andre ting der den kan bli dradd i av barn eller snublet i.

Dette produktet må ikke avhendes sammen med husholdningsavfall. Dette produktet må avhendes på et autorisert sted for resirkulering av elektriske og elektroniske apparater. Ved å samle inn og resirkulere avfall bidrar du til å spare naturressurser, og sørger for at produktet avhendes på en miljøvennlig og fornuftig måte.



Oppbevaring av apparatet

- Rengjør stekerister.
- Oppbevares på et tørt sted.
- Når gassflasken er koblet til apparatet, oppbevares utendørs i et godt ventilert rom og utilgjengelig for barn.
- Dekk til apparatet hvis det oppbevares utendørs.
- Oppbevar apparatet innendørs KUN hvis gassflasken er slått av og frakoblet, fjernet fra apparatet og lagret utendørs. Når du tar apparatet ut av oppbevaring, kontrolleres brenneren for hindringer.

For et enkelt oppsett, besøk nettstedet vårt og naviger til produktsiden for Evolve Gas. Du finner en hurtigstartguide på ditt morsmål for å hjelpe deg med å betjene kontrollen.

TEKNISKE DATA

TEKNISKE DATA CHAR-BROIL, LLC				
Apparatnavn	Gassgrill			
Total nominell varmetilførsel	8,44 KW (614 g/t)		7,62 KW (554 g/t)	
Gasskategori	I3+(28-30/37)	I3B/P(30)	I3B/P(50)	
Modellnr.	468921224		468922224	
Gasstype	Butan	Propan	Butan, propan eller deres blandinger	Butan, propan eller deres blandinger
Gasstrykk	28–30 mbar	37 mbar	30 mbar	50 mbar
Injektorstørrelse (dia. mm)	Grill: 0,72 x 4 stk.		Grill: 0,72 x 4 stk.	Grill: 0,58 x 4 stk.
Sidebrennerinjektorstørrelse (dia. mm)	Grill: N/A		Grill: N/A	Grill: N/A
Elektrisk vurdering	220–240 V, 50 Hz, 5 W			
Destinasjonsland	GB, FR, BE, ES, IT, PT, CZ, SK, CH, CY, GR, IE, LT, LU, LV, TR, SI	DK, NO, NL, SE, FI, IS, CZ, IT, SK, BG, CY, EE, HR, HU, LT, LU, LV, MT, RO, SI, BE, GB, FR	AT, CH, DE, LU, SK	

FEILSØKING

Problem	Mulig årsak	Forebygging/løsning
Grillen når ikke temperaturen	Settpunkt endret	<ul style="list-style-type: none"> • Kontroller om settpunktet er senket.
	Lokket venstre åpent eller åpnet ofte	<ul style="list-style-type: none"> • Står grilllokket åpent forlenges oppvarmingsprosessen og kan føre til at temperatursensorene ikke leser riktig temperatur. Hold lokket lukket mens du koker.
	Temperatursensor defekt	<ul style="list-style-type: none"> • Kontroller ledningsforbindelsene hvis temperaturen ikke stiger: <ul style="list-style-type: none"> • Slå av og koble fra grillen. • Fjern kontrollpanelet og sørg for at alle ledninger er godt tilkoblet. Sett sammen kontrollpanelet igjen og vurder temperatursonden med samme metode. • Hvis temperaturen fortsatt ikke stiger, kan det hende at temperatursensoren må skiftes ut • Ring kundeservice for hjelp.
Matsondetemperaturen vises ikke på skjermen eller viser urimelig verdi	Ikke tilstrekkelig plassert/ tilkoblet	<ul style="list-style-type: none"> • Skyv sondepluggen helt inn i sondekontakten.
	Matsonde skadet	<ul style="list-style-type: none"> • Koble sonden til en annen sondekontakt og observer avlesningen. Bytt matsonde ved ingen visning eller dersom det vises en urimelig verdi vises. Hvis temperaturvisningen nå er aktiv og har en rimelig verdi, prøv originalkontakten en gang til. Hvis skjermen fortsatt er dårlig, kan det være sondekontakten må skiftes ut. • Ring kundeservice for hjelp.
	Forurensning i matsondekontakten	<ul style="list-style-type: none"> • Inspiser matsondekontaktene som ikke rapporterer en temperatur med en lommelykt for å finne rusk. Hvis det er rusk, må du sørge for at grillen er uten strøm og fjern deretter rusk forsiktig. Kontroller at matsondekontakten er ren og tørr. Sett matsonden inn i en tilstøtende kontakt for å inspisere for en avlesning. Hvis det ikke vises noen temperatur i kontrolleren for noen av kontaktene, er matsonden skadet.
	Matsonden er ikke satt ordentlig inn i maten	<ul style="list-style-type: none"> • Spissen av sonden skal settes inn i den tykkeste delen av maten som måles. Matsonde bør ikke være i direkte kontakt med bein siden direkte kontakt vil forhindre en nøyaktig avlesning. Stekesonden skal ikke være i kontakt med stekerister.
Produktet vil ikke koble til Bluetooth	Produktet er for langt unna telefonen	<ul style="list-style-type: none"> • Fullfør sammenkoblingsprosessen med enheten innen 1,5 m (5 fot) fra telefonen.
	Telefonens Bluetooth er slått av eller på flymodus	<ul style="list-style-type: none"> • Kontroller at Bluetooth er slått på og flymodus er deaktivert i innstillingene for mobilenheten. <ol style="list-style-type: none"> 1. For Android-enheter, må du sørge for at posisjonstjenester er slått på og at applikasjonen har tillatelse til å bruke posisjonstjenester. Dette gjør at Bluetooth kan brukes i applikasjonen. 2. For iPhone-enheter, må du kontrollere at Bluetooth er aktivert for applikasjonen i operativsysteminnstillingene.
	Produktet er allerede koblet til en annen telefon	<ul style="list-style-type: none"> • Bruk den originale mobile enheten som er koblet til produktet, eller tilbakestill grillens tilkoblinger. Hvis du tilbakestillert grilltilkoblingen, må du først fjerne produktet fra Bluetooth-innstillingene på mobilenheten. Alternativt kan du slå av Bluetooth på den forrige mobilenheten mens du utfører sammenkoblingsprosessen. • For å tilbake stille grilltilkoblingen, trykker du på og holder inne kontrollknappen i 10 sekunder. Et pip høres som indikerer at tilbakestillingen er fullført. Gå nå gjennom sammenkoblingsprosessen for Bluetooth på enheten.
	Produktet er allerede sammenkoblet med samme telefon	<ul style="list-style-type: none"> • Slå av produktet og lukk applikasjonen. Slå på produktet igjen og åpne programmet på nytt. Hvis produktet fortsatt ikke er tilkoblet via Bluetooth, fjerner du produktet fra Bluetooth-enhetsinnstillingene for mobiltelefonens operativsystem. På grillen trykker og holder du kontrollknappen til den piper for å fjerne grillens Bluetooth-innstillinger, og starter sammenkoblingsprosessen på nytt.

FEILSØKING

Problem	Mulig årsak	Forebygging/løsning
Produktet vil ikke koble til Wi-Fi	Feil ruterpassord	<ul style="list-style-type: none"> Kontroller passordet og prøv Wi-Fi-tilkoblingsprosessen på nytt.
	Ingen internett	<ul style="list-style-type: none"> Bekreft internetttilgang på andre enheter. Hvis andre enheter har internett: koble fra grillen i 30 sekunder og koble til igjen. Se etter tilkobling. Koble fra ruterens i 30 sekunder og koble til igjen. Se etter tilkobling. Utfør Wi-Fi-oppsettet i applikasjonen på nytt. Hvis Wi-Fi-nettverket ikke vises i skannelisten, kan produktet være for langt unna ruterens.
	Ruterens er for langt unna grillen	<ul style="list-style-type: none"> Utfør Wi-Fi-oppsettet i applikasjonen på nytt. Hvis Wi-Fi-nettverket ikke vises i skannelisten, kan produktet være for langt unna ruterens. Med en mobil enhet i området der grillen er plassert, kontroller at det er internetttilgang.
	Hindringer mellom ruter og grill	<ul style="list-style-type: none"> Plasser grillen slik at antall vegger og gjenstander mellom grillen og ruterens minimeres.
	Ingen 2,4 GHz Wi-Fi	<ul style="list-style-type: none"> Grillen støtter kun 2,4G Wi-Fi-nettverk. En alternativ ruter er nødvendig.
Kontrollerfeil <ul style="list-style-type: none"> Ingen strøm til kontrollkonsollen. Grillen starter ok men kontrollskjermen blir tom, grillen slutter å fungere. 	Enheten er ikke koblet til.	<ul style="list-style-type: none"> Kontroller for å være sikker på at ledningen er riktig plugget inn i stikkkontakten. Koble til stikkkontakten og vurder på nytt.
	Strømkretsens sikring har løst ut.	<ul style="list-style-type: none"> Kontroller om GFCI (RCBO/RCD) uttak eller bryter har blitt utløst og tilbakestilt kretsen.
	<ul style="list-style-type: none"> En strømledningsfeil eller feil. Kontroller (PCB) funksjonsfeil. 	<ul style="list-style-type: none"> Koble grillen fra strømmen. Fjern kontrollpanelet og sørg for at alle ledninger ikke er skadet og er godt tilkoblet, spesielt strømledningen. Hvis ledningene er skadet, skifter du ut passende komponenter og vurderer på nytt. Hvis ledningene ikke er skadet og tilkoblingene er bekreftet, kontakter du kundeservice for ytterligere hjelp.
GFCI (RCBO/RCD)-problemer <ul style="list-style-type: none"> Ingen strøm til kontrollkonsollen. Grillen starter ok, men kontrollskjermen blir tom og grillen slutter å fungere. GFCI-tilbakestillingsknapp spretter ut på stikkkontakten. 	<ul style="list-style-type: none"> Defekt GFCI-uttak. Fukt i utløpet. Uttak ikke på en dedikert krets. Problemer med strømbryter. 	<ul style="list-style-type: none"> Koble alt fra stikkkontakten. Trykk på tilbakestillingsknappen på uttaket og sørg for at testknappen går tilbake til normal posisjon. Koble til og slå på grillen i rundt 10 minutter, se etter at GFCI utløses. Hvis GFCI løste ut i løpet av 10-minutters perioden, kontrollerer du forsterkertrekket til GFCI (vi anbefaler å bruke en 13-amp GFCI). Hvis en 13-amp GFCI brukes og utløsning fortsatt forekommer, kan det være nødvendig med en elektriker. Hvis GFCI ikke løste ut i løpet av 10-minuttersperioden og hvis du bruker et annet apparat på samme stikkontakt, kobler du til igjen og slår på det originale andre apparatet. Hvis GFCI utløses med det andre apparatet på, kan det være et problem med det andre apparatet. Koble et annet apparat til samme stikkontakt og slå på apparatet. Ved utløsning med et annet apparat, kan det være nødvendig med en elektriker. Koble alt fra stikkkontakten.

DÔLEŽITÉ BEZPEČNOSTNÉ INFORMÁCIE

BEZPEČNOSTNÉ SYMBOLY

V celom návode na obsluhu sa používajú výroky **NEBEZPEČENSTVO**, **VAROVANIE** a **UPOZORNENIE**, ktoré zdôrazňujú kritické a dôležité informácie. Tieto vyhlásenia si musíte prečítať a porozumieť im, aby ste zaistili bezpečnosť a predišli škode na majetku.

Tieto výroky sú uvedené nižšie.

UPOZORNENIE

UPOZORNENIE: Označuje potenciálne nebezpečnú situáciu alebo nebezpečný postup, ktorý môže mať za následok ľahké alebo stredne ťažké zranenie, ak sa mu nevyhnete.

VÝSTRAHA

VÝSTRAHA: Označuje potenciálne nebezpečnú situáciu, ktorej ak sa nezabráni, môže viesť k smrti alebo závažnému zraneniu.

NEBEZPEČENSTVO

NEBEZPEČENSTVO: Označuje bezprostredne nebezpečnú situáciu, ktorej ak sa nezabráni, môže viesť k smrti alebo závažnému zraneniu.

INŠTALATÉR/MONTÁŽNIK:

Túto príručku odovzdajte spotrebiteľovi.

SPOTREBITEĽ:

Túto príručku uchovajte pre budúce použitie.

Za montáž, inštaláciu a údržbu grilu zodpovedá montážnik/majiteľ.

Otázky:

Ak máte počas montáže alebo prevádzkovania tohto grilu nejaké otázky, obráťte sa na svojho miestneho obchodného zástupcu.

LEN NA POUŽITIE VONKU

1. Len na použitie vonku.
2. Nepoužívajte vnútri alebo na komerčné varenie.
3. Zariadenie používajte len na riadne vetranom mieste.

VÝSTRAHA

- Tento návod na obsluhu obsahuje dôležité informácie, ktoré sú potrebné pre správnu montáž a bezpečné používanie spotrebiča.
- Pred montážou a prevádzkovaním spotrebiča si prečítajte a dodržiavajte všetky upozornenia a pokyny.
- Počas prevádzkovania spotrebiča dodržiavajte všetky upozornenia a pokyny.
- Túto príručku uchovajte pre budúce použitie.

NEBEZPEČENSTVO

- Tento spotrebič nikdy nepoužívajte bez dozoru.
- Tento spotrebič nikdy nepoužívajte vo vzdialenosti menšej ako 3 m od akejkoľvek konštrukcie, horľavého materiálu alebo inej plynovej fľaše.
- Tento spotrebič nikdy nepoužívajte vo vzdialenosti menšej ako 25 stôp (7,5 m) od akejkoľvek horľavej kvapaliny.
- Ak by došlo k požiaru, stojte ďalej od spotrebiča a okamžite zavolajte hasičov. Požiar oleja alebo tuku sa nepokúšajte hasiť vodou. Nedodržanie týchto pokynov môže mať za následok požiar, výbuch alebo nebezpečenstvo popálenia, čo môže spôsobiť škody na majetku, zranenie osôb alebo smrť.

VÝSTRAHA

1. V blízkosti tohto ani iného spotrebiča neskladujte ani nepoužívajte benzín alebo iné horľavé kvapaliny.
2. Plynová fľaša, ktorá nie je pripojená na používanie, sa nesmie skladovať v blízkosti tohto ani iného spotrebiča.

NEBEZPEČENSTVO

Ak cítite plyn:

1. uzavrite prívod plynu do spotrebiča
2. uhasťte všetky otvorené plamene.
3. otvorte veko.
4. Ak zápach pretrváva, nepribližujte sa k spotrebiču a okamžite zavolajte dodávateľovi plynu alebo požiarnejmu zboru.

VÝSTRAHA

1. V blízkosti tohto ani iného spotrebiča neskladujte ani nepoužívajte benzín alebo iné horľavé kvapaliny.
2. Plynová fľaša, ktorá nie je pripojená na používanie, sa nesmie skladovať v blízkosti tohto ani iného spotrebiča.

VÝSTRAHA

Na bezpečné používanie spotrebiča a zabránenie vážnemu zraneniu sa musí:

**POUŽÍVAŤ LEN VO VONKAJŠOM PROSTREDÍ.
NIKDY SA NESMIE POUŽÍVAJTE V INTERIÉRI.**

Pred prevádzkovaním spotrebiča si prečítajte návod na použitie.

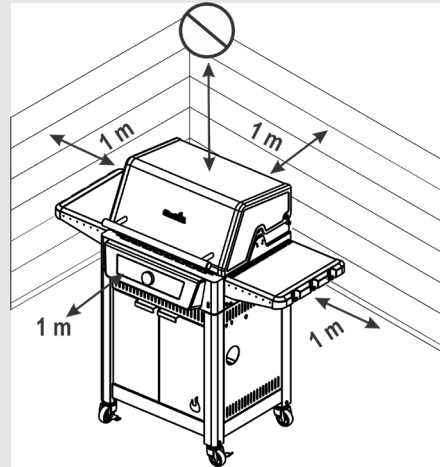
Vždy postupujte podľa tohto návodu.

- Spotrebič nepresúvajte počas jeho prevádzkovania.
- Prístupné časti môžu byť veľmi horúce. Malé deti sa musia zdržiavať ďalej. Nedovoľte deťom obsluhovať spotrebič alebo sa s ním hrať.
- Po skončení používania vypnite prívod plynu na fľaši.
- Tento spotrebič musí byť počas prevádzky v dostatočnej vzdialenosti od horľavých materiálov.
- Nezakrývajte otvory na bokoch alebo v zadnej časti spotrebiča.
- Pravidelne kontrolujte plamene horáka.
- Neblokujte Venturiho otvory na horáku.
- Zariadenie používajte len na riadne vetranom mieste. **NIKDY** nepoužívajte v uzavretom priestore, ako je prístrešok pre auto, garáž, veranda, krytá terasa alebo pod akoukoľvek konštrukciou.
- V plynovom spotrebiči nepoužívajte drevené uhlie ani keramické briкеты.

STAROSTLIVOSŤ A POUŽÍVANIE

- **NEZAKRÝVAJTE** rošty hliníkovou fóliou alebo iným materiálom. Zablokujete tým ventiláciu horáka a vytvoríte potenciálne nebezpečný stav, ktorý môže viesť k poškodeniu majetku a/alebo zraneniu osôb.
- Tento gril sa automaticky zapáli pri zatvorenom veku, preto pred prvým zapálením otvorte veko.
- Spotrebič používajte vo vzdialenosti najmenej 1 m od akejkoľvek steny alebo povrchu. Dodržiavajte vzdialenosť 3 m od predmetov, ktoré sa môžu vznietiť, alebo od zdrojov vznietenia, ako sú svetelné kontrolky na ohrievačoch vody, elektrické spotrebiče pod napätím atď. Akumulovanie nezapaľeného plynu v uzavretom spotrebiči je nebezpečné.
- Pred premiestnením plynovej fľaše z určenej pracovnej polohy vždy vypnite plyn na fľaši a odpojte regulátor.
- Nikdy neprevádzkujte tento spotrebič s plynovou fľašou mimo správnej špecifikovanej polohy.
- Spotrebič neupravujte. Akékoľvek úpravy sú prísne zakázané.
- Používateľ nesmie manipulovať so zapečatenými súčastami. Vstrekovače nerozoberajte.

⚠ VÝSTRAHA



- Pred premiestnením plynovej fľaše z určenej pracovnej polohy vždy vypnite plyn na fľaši a odpojte regulátor.
- Nikdy neprevádzkujte tento spotrebič s plynovou fľašou mimo správnej špecifikovanej polohy.
- Spotrebič neupravujte. Akékoľvek úpravy sú prísne zakázané. Používateľ nesmie manipulovať so zapečatenými súčastami. Vstrekovače nerozoberajte.
- Gril nesmie mať počas varenia zatvorené veko.

Nedodržovanie všetkých pokynov výrobcu môže viesť k závažnému zraneniu osôb a/alebo škode na majetku.

Nepokúšajte sa opravovať alebo meniť hadicu/ventil/regulátor pre akúkoľvek „predpokladanú“ závalu. Akákoľvek úprava tejto zostavy bude mať za následok stratu záruky a riziko úniku plynu a požiaru. Používajte len schválené náhradné diely dodávané výrobcom.

Mriežky nezakrývajte hliníkovou fóliou ani iným materiálom. Tým sa zablokuje ventilácia horáka a vznikne potenciálne nebezpečný stav, ktorý môže viesť k poškodeniu majetku a/alebo zraneniu osôb.

Pred pokusom o zostavenie a varenie si prečítajte a dodržiavajte všetky bezpečnostné pokyny, pokyny na zostavenie a pokyny na používanie a ošetrovanie.

Niektoré súčasti môžu obsahovať ostré hrany. Odporúča sa nosiť ochranné rukavice.

Horiaci tuk

- Horiaci tuk sa nedá uhasiť zatvorením veka. Grily sú z bezpečnostných dôvodov dobre vetrané.
- Horiaci tuk nehaste vodou, pretože môže dôjsť k zraneniu osôb. Ak sa rozvinie nepretržité horenie tuku, vypnite gombíky a plynovú fľašu.
- Ak sa spotrebič nečistil pravidelne, tuk sa môže zapáliť a môže to poškodiť výrobok. Pri predhrievaní alebo spaľovaní zvyškov jedla dávajte veľký pozor, aby tuk nezačal horieť. Dodržiavajte pokyny týkajúce sa bežného čistenia spotrebiča a čistenia zostavy horáka, aby ste predišli vzniku požiarov spôsobených tukom. Najlepším spôsobom, ako predchádzať požiarom spôsobeným tukom, je pravidelné čistenie spotrebiča.
- Gril nenechávajte bez dozoru počas predhrievania alebo vypaľovania zvyškov jedla nastavený na MAX. Ak gril nebol pravidelne čistený, môže dôjsť k zapáleniu tuku, a môže to poškodiť výrobok.

STAROSTLIVOSŤ A POUŽÍVANIE

Bezpečnostné tipy

- Pred otvorením ventilu plynovej fľaše skontrolujte tesnosť regulátora.
- Ak sa spotrebič nepoužíva, vypnite riadiacu jednotku a plyn.
- Používajte grilovacie náčinie s dlhými rukoväťami, aby ste sa vyhlí popáleninám a postriekaniu. Pri manipulácii s horúcimi súčastami používajte ochranné rukavice.
- Maximálne zaťaženie bočnej police je 4,5 kg.
- Miska za zachytávanie tuku (ak je ňou spotrebič vybavený) sa musí vložiť do spotrebiča a vyprázdniť po každom použití. Misku na zachytávanie tuku nevyberajte, kým spotrebič úplne nevychladne.
- Pri otváraní veka buďte veľmi opatrní, pretože môže uniknúť horúca para.
- Buďte veľmi opatrní, keď sú v blízkosti deti, starší ľudia alebo domáce zvieratá.
- Ak spozorujete, že zo spotrebiča kvapká tuk alebo iný horúci materiál na ventil, hadicu alebo regulátor, okamžite vypnite prívod plynu. Zistite príčinu, odstráňte ju a pred pokračovaním vyčistite a skontrolujte ventil, hadicu a regulátor. Vykonajte skúšku tesnosti.
- Do vnútra krytu vozíka spotrebiča neukladajte predmety ani materiály, ktoré by blokovali prívod spaľovacieho vzduchu k spodnej časti ovládacieho panela alebo k ohnisku.
- **NEODPÁJAJTE** ani nevymieňajte plynovú fľašu vo vzdialenosti menšej ako 3 m od otvoreného ohňa alebo iného zdroja zapálenia.
- Tento spotrebič môžu používať osoby so zníženými fyzickými zmyslovými alebo mentálnymi schopnosťami alebo s nedostatočnými skúsenosťami a znalosťami, ak sú pod dohľadom alebo boli poučené o používaní spotrebiča bezpečným spôsobom a rozumejú príslušným rizikám.
- Deti sa so spotrebičom nesmú hrať
- Čistenie a údržbu, ktorú vykonáva používateľ, nesmú vykonávať deti bez dozoru
- Ak je prívodný kábel poškodený, musí ho vymeniť výrobca, jeho servisný zástupca alebo podobne kvalifikované osoby, aby sa predišlo nebezpečenstvu.

Umiestnenie tlakových fliaš

Tlakové fľaše umiestnené v spotrebiči musia mať maximálny priemer 340 mm a maximálnu výšku vrátane regulátora 400 mm. Väčšie fľaše sa musia umiestniť len pod bočnú policu alebo za gril. Tlakové fľaše umiestnené na zemi nesmú byť pod horúcu platňu.

Požiadavky na regulátor plynu

V tomto spotrebiči sa musí používať regulátor plynu. Používajte iba regulátor plynu dodaný s grilom. Ak regulátor plynu nebol dodaný, použite iba regulátor certifikovaný podľa normy EN16129 (prietok max. 1,5 kg/h) a schválený pre vašu krajinu a plyn uvedený v technických údajoch.

Požiadavky na hadicu

Používajte len schválenú hadicu, ktorá je certifikovaná podľa príslušnej normy EN, a nepresahuje dĺžku 1,5 m. V prípade Fínska nesmie dĺžka hadice presiahnuť 1,2 m. Pred každým použitím skontrolujte, či nie sú hadice prerezané alebo opotrebované. Uistite sa, že hadica nie je zalomená. Pred použitím spotrebiča vymeňte poškodené hadice. Hadicu vymeňte podľa vnútroštátnych požiadaviek.

Osvetlenia zapaľovača

- **Nenakláňajte sa nad gril, keď je zapálený.**
- 1. Zapojte sieťový kábel.
- 2. Počas zapaľovania alebo pri opätovnom zapaľovaní otvorte veko.
- 3. Na tlakovej fľaši LP otvorte prívod plynu.
- 4. Stlačením tlačidla napájania zapnite riadiacu jednotku.
- 5. Gombík otočte požadovanú teplotu.
- 6. Stlačením a uvoľnením gombíka gril zapáľte. (Ak chcete ovládať len jednu stranu grilu, pozrite si pokyny v časti Obsluha grilu.)
- 7. Ak nedôjde k zapáleniu, vymažte chybový kód stlačením a podržaním tlačidla napájania, aby sa gril vypol. Počkajte 5 minút a zopakujte postup zapálenia.



VÝSTRAHA

- Ak sa ovládacie prvky a plynová fľaša nepoužívajú, vypnite ich.
- Dbajte na to, aby sa pripojená hadica nedotýkala horúcich povrchov.



UPOZORNENIE

Ak nedôjde k zapáleniu, vymažte chybový kód stlačením a podržaním tlačidla napájania, aby sa gril vypol. Počkajte 5 minút a zopakujte postup zapálenia. Ak sa horák nezapáli pri otvorenom ventilu, plyn bude naďalej prúdiť z horáka a mohol by sa náhodne zapáliť s rizikom zranenia.

Testovanie tesnosti ventilov, hadíc a regulátora plynu

Pred prvým použitím aspoň raz ročne a pri každej výmene alebo odpojení fľaše vykonajte skúšku tesnosti.

1. Vypnite spotrebič.
2. Uistite sa, že je regulátor pevne pripojený k plynovej fľaši.
3. Zapnite plyn. Ak počujete prudký zvuk, okamžite vypnite plyn. Na pripojke veľmi uniká plyn. Pred pokračovaním opravte.
4. Na hadicové prípojky naneste štetcom mydlový roztok (zmes polovice mydla a polovice vody).
5. Ak sa objavia rastúce bubliny, znamená to unikanie plynu. Regulátorom plynu na fľaši okamžite vypnite plyn a skontrolujte tesnosť spojov. Ak sa únik nedá zastaviť, nepokúšajte sa o opravu. Obstarajte si náhradné diely.
6. Po vykonaní skúšky tesnosti vždy vypnite prívod plynu na fľaši.

AK SA SPOTREBIČ NEZAPÁLI

- Uistite sa, že je prívod plynu je na fľaši otvorený.
- Skontrolujte, či je vo fľaši plyn.
- Vydáva zapaľovač zvuk iskrenia? Počas testu tesnosti nefajčite.
 1. Ak áno, skontrolujte iskrú na horáku.
 2. Ak nie je iskra, skontrolujte, či nie sú poškodené alebo uvoľnené vodiče.
- Ak sú vodiče v poriadku, skontrolujte, či nie je elektróda prasknutá alebo zlomená, v prípade potreby ju vymeňte.
- Ak sú vodiče alebo elektródy pokryté zvyškami z varenia, v prípade potreby očistite hrot elektródy utierkou namočenou v alkohole.
- V prípade potreby vymeňte vodiče.
- Skontrolujte, či nie je uvoľnené pripojenie vodičov na riadiacej jednotke.



UPOZORNENIE

UPOZORNENIE NA PAVÚKY!

PAVÚKY A SIETE VNÚTORNÝ HORÁK



Váš horák môže byť iný.

- Ak sa vám gril ťažko zapaluje alebo je plameň slabý, skontrolujte a vyčistite ventilátory a horáky.
- Je známe, že pavúky alebo drobný hmyz spôsobujú problémy so „spätným sľahnutím plameňa“ tým, že si stavajú hniezda a kladú vajíčka do Venturiho trubice alebo horáka grilu, čím bránia prietoku plynu. Nahromadený plyn sa môže zapáliť za ovládacím panelom. Tento spätný náraz môže poškodiť váš gril a spôsobiť zranenie. Aby sa predišlo spätným nárazom a zabezpečil sa dobrý výkon, zostava horáka a Venturiho trubice by sa mala vybrať a vyčistiť vždy, keď sa gril dlhší čas nepoužíva.

Čistenie zostavy horáka

Ak chcete vyčistiť a/alebo vymeniť časti zostavy horáka alebo ak máte problémy so zapálením grilu, postupujte podľa týchto pokynov.

1. Plyn vypnite na plynovej fľaši.
2. Odstráňte rošty na varenie.
3. Odstráňte plynové rúrky a upevňovacie prvky horákov.
4. Odpojte elektródu od horáka.
5. Opatrne zdvihnite každý horák nahor a preč od otvorov ventilov.
Navrhujeme tri spôsoby čistenia rúrok horáka. Použite ten, ktorý je pre vás najjednoduchší.

(A) Tuhý drôt (dobré poslúži ľahké vešiakové ramienko) ohnite do tvaru malého háčika. Niekoľkokrát prejdite háčikom cez každú rúrku horáka.



(B) Použite úzku kefu na fľaše s ohybnou rukoväťou (nepoužívajte mosadznú drôtenú kefu). Niekoľkokrát prejdite kefou cez každú rúrku horáka.

(C) **Používajte ochranu očí:** Pomocou vzduchovej hadice vháňajte vzduch do rúrk horáka a von z otvorov horáka. Skontrolujte, či z každého otvoru vychádza vzduch.

6. Drôtenou kefou vyčistíte celý vonkajší povrch horáka od zvyškov jedla a nečistôt.
7. Prípadné zablokované otvory vyčistíte tuhým drôtom, napríklad otvorenou sponkou na papier.
8. Skontrolujte, či horák nie je poškodený v dôsledku bežného opotrebovania a korózie, pretože niektoré otvory sa môžu zväčšiť. Ak zistíte veľké praskliny alebo diery, horák vymeňte.

9. K horáku pripojte elektródu a snímač plameňa.
10. Horáky opatrne vymeňte.
11. Horáky pripevnite k držiakom na ohnisku.
12. Zmeňte polohu plynových rúrok a pripojte ich k horákom. Vymeňte varné rošty.
13. Pred ďalším grilovaním vykonajte „test tesnosti“ a „kontrolu plameňa horáka“.

Bežné čistenie spotrebiča

Tento gril sa musí pravidelne čistiť, pretože v spodnej časti grilu môže dôjsť k požiaru, keď sa v ňom nahromadí tuk a zvyšky jedla. Po každom použití odstráňte z grilovacieho roštu a vnútra grilu všetky zvyšky jedla pomocou kefy Char-Broil Cool-Clean. Potom môžete na rošt výdatne nastriekať čistiaci prostriedok na rošty Char-Broil, nechať ho pôsobiť 10 minút a zotrieť ho vlhkou handričkou alebo kefou. Gril vyčistíte, keď je vychladnutý.

- Nepomýľte si hnedé alebo čierne nahromadené mastnoty a dym s farbou. Vnútro priestory plynových grilov sa vo výrobe nelakujú (a nikdy by sa nemali lakovať). Na vnútorné strany veľa a dna spotrebiča naneste silný roztok čistiaceho prostriedku a vody alebo použite čistiaci prostriedok na spotrebiče s kefou na drhnutie. Opláchnite a nechajte úplne vyschnúť na vzduchu. Na lakované povrchy nepoužívajte žieravé čistiace prostriedky na spotrebiče/rúry.
- **Plastové diely:** Umyte teplou mydlovou vodou a utrite dosucha. Na plastové diely nepoužívajte abrazívne čistiace prostriedky, odmasťovacie prostriedky ani koncentrované čistiace prostriedky na spotrebiče. Dôsledkom môže byť poškodenie alebo zlyhanie častí.
- **Porcelánové povrchy:** Vzhľadom na zloženie podobné sklu sa väčšina zvyškov môže zotrieť roztokom jedlej sódy a vody, čistiacim prostriedkom na sklo alebo čistiacim prostriedkom na rošty Char-Broil. Na odstránenie zaschnutých škvŕn používajte neabrazívny čistiaci prášok.
- **Lakované povrchy:** Umývajte jemným čistiacim prostriedkom alebo čistiacim prostriedkom a teplou mydlovou vodou alebo čistiacim prostriedkom na grily Char-Broil. Utrite dosucha jemnou neabrazívnou handričkou.
- **Varné plochy:** Pred grilovaním sa uistite, že na grilovacích plochách nezostali žiadne uvoľnené štetiny. Kým je gril horúci, odporúča sa čistiť grilovacie plochy iba pomocou náhradnej hlavice Char-Broil Hot-Clean (na kefke Char-Broil Cool-Clean Premium).
- **Riadiaca jednotka:** Ak chcete vyčistiť prednú stranu riadiacej jednotky, utrite ju mäkkou a suchou handričkou.

Nastavenie funkcie CLEAN (Čistiť)

Váš gril je vybavený inovatívnym nastavením funkcie CLEAN, ktoré umožňuje bezproblémové čistenie grilu. Vysoké teplo, ktoré vzniká z horákov, zmení všetky zvyšky jedla na popol.

Postupujte podľa týchto krokov:

- Po skončení grilovania, kým je teplota ešte nastavená, stlačte a podržte ikonu CLEAN, kým sa na riadiacej jednotke nezobrazí CLN.
- Po vychladnutí grilu odstráňte pomocou kefy Char-Broil Cool-Clean Brush zvyšné nečistoty a zlikvidujte popol.
- Ak chcete dosiahnuť mimoriadne lesklé výsledky, ako posledný krok použite čistič Char-Broil na rošty. Nastriekajte ho na rošt, nechajte pôsobiť 10 minút a zotrite vlhkou handričkou alebo kefou.

STAROSTLIVOSŤ A POUŽÍVANIE

Pre vašu bezpečnosť

- V zariadení musí byť vložená miska na zachytávanie tuku a po každom použití je potrebné ju vyprázdniť.
- Ak máte problém so spotrebičom, pozrite si časť „Riešenie problémov“.

DÔLEŽITÉ OCHRANNÉ OPATRENIA

Pri používaní elektrických zariadení je potrebné vždy dodržiavať bezpečnostné opatrenia a vrátane týchto:

PREČÍTAJTE SI VŠETKY POKYNY

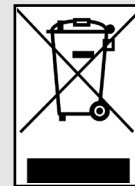
- Nechránenými rukami sa nedotýkajte sa horúcich povrchov. Používajte rukoväte a gombíky určené na obsluhu zariadenia.
- Na ochranu pred úrazom elektrickým prúdom neponárajte kábel, zástrčky ani riadiacu jednotku do vody alebo inej kvapaliny.
- Zariadenie neponechávajte bez dozoru.
- Prísny dozor je potrebný, keď akékoľvek zariadenie používajú deti alebo je prevádzkované v ich blízkosti. Deti a domáce zvieratá sa musia vždy zdržiavať ďalej od tohto zariadenia.
- Toto zariadenie nie je hračka.
- Nikdy nenechávajte gril bez dozoru, keď je **ZAPNUTÝ**.
- Gril odpojte od elektrickej zásuvky, keď ho nepoužívate alebo pred jeho presúvaním a čistením.
- Pred vkladáním dielov alebo ich vyberaním gril nechajte vychladnúť. Žiadne zariadenie neprevádzkujte s poškodeným napájacím káblom alebo zástrčkou, alebo keď zariadenie nesprávne funguje alebo bolo akýmkoľvek spôsobom poškodené.
- Používanie prídavných zariadení, ktoré výrobca neodporúča, môže mať za následok zranenie. Používajte len také prídavné zariadenia, ktoré odporúča výrobca.
- Napájací kábel nenechajte visieť cez okraj stola alebo pultu a nedovoľte, aby sa dotýkal horúcich povrchov.
- Zariadenie nepoužívajte pre iné, než jeho zamýšľané použitie. Toto zariadenie nie je určené na ohrev a nikdy sa nesmie používať ako ohrievač.
- Aby sa zabránilo špliechaniu vody na gril alebo jeho spadnutiu do vody, nepoužívajte ho vo vzdialenosti 3 metrov od bazéna, rybníka alebo inej vodnej nádrže.
- Gril a elektrický regulátor vždy udržiavajte suchý a navystatujte ho dažďu.
- Elektrické zástrčky neukladajte na zem a udržiavajte ich suché.
- Pri čistení tohto výrobku nestríekajte naň vodu ani inú kvapalinu, kým neodpojíte elektrickú riadiacu jednotku a nevyberiete z neho vykurovacie teleso.

- Vo vzdialenosti 7 metrov od tohto grilu neskladujte ani nepoužívajte počas jeho prevádzkovania benzín, kerosén ani iné horľavé kvapaliny. Prostredie zariadenia udržiavajte čisté a bez horľavých materiálov.
- Zariadenie počas prevádzky nepresúvajte.
- Zariadenie musí byť počas varenia na rovnom a stabilnom povrchu na mieste, kde sa nenachádzajú žiadne horľavé materiály.
- Užívanie alkoholu a liekov na predpis alebo bez predpisu môže znížiť schopnosť používateľa správne zmontovať a bezpečne prevádzkovať toto zariadenie.
- Zariadenie pri čistení neponárajte do vody.

Pre vašu bezpečnosť - Ak musíte použiť predlžovací kábel:

- Používajte iba vonkajší typ kábla dimenzovaný na 13 ampérov alebo vyšší.
- Na prevádzkovanie sa vyžaduje predlžovací kábel s najkratšou dĺžkou. Nespájajte spolu 2 alebo viac predlžovacích káblov.
- Spoje udržiavajte suché a neukladajte ich na zem.
- Napájací kábel nenechajte visieť cez okraj stola alebo iné predmety, kde by ho mohli ťahať deti alebo by iní mohli oň zakopnúť.

Tento výrobok sa nesmie likvidovať spolu s domovým odpadom. Tento výrobok sa musí zlikvidovať na úradne schválenom mieste na recykláciu elektrických a elektronických spotrebičov. Zberom a recykláciou odpadu pomáhate šetriť prírodné zdroje a zabezpečujete, aby bol výrobok zlikvidovaný ekologickým a zdravým spôsobom.



Skladovanie spotrebiča:

- Vychistite rošty na varenie.
- Skladujte na suchom mieste.
- Ak je plynová fľaša pripojená k spotrebiču, skladujte ju vonku na dobre vetranom mieste a mimo dosahu detí.
- Ak je spotrebič uložený vonku, zakryte ho.
- Spotrebič skladujte v interiéri len vtedy, ak je plynová fľaša vypnutá a odpojená, vybratá zo spotrebiča a uložená vonku. Pri vyberaní spotrebiča zo skladu skontrolujte, či horák nie je upchatý.

Pre jednoduché nastavenie navštívte našu webovú stránku a prejdite na stránku produktu pre Evolve Gas. Príručku pre rýchly štart nájdete vo svojom rodnom jazyku, ktorá vám pomôže ovládať ovládač.

TECHNICKÉ PARAMETRE

TECHNICKÉ PARAMETRE GRIL NA DREVENÉ UHLIE, LLC				
Názov spotrebiča	Plynové grilovanie/plynový gril			
Celkový menovitý tepelný príkon	8,44 KW(614 g/h)		7,62 KW (554 g/h)	
Kategória plynu	I3+(28-30/37)	I3B/P(30)	I3B/P(50)	
Č. modelu	468921224		468922224	
Typ plynu	Bután	Propán	Bután, propán alebo ich zmes	Bután, propán alebo ich zmes
Tlak plynu	28 - 30 mbarov	37 mbarov	30 mbarov	50 mbarov
Veľkosť vstrekovača (priemer v mm)	Grilovanie: 0,72 x 4 ks		Grilovanie: 0,72 x 4 ks	Grilovanie: 0,58 x 4 ks
Veľkosť vstrekovača bočného horáka (priemer v mm)	Grilovanie: Neuvádza sa		Grilovanie: Neuvádza sa	Grilovanie: Neuvádza sa
Menovitý elektrický výkon	220 - 240 V, 50 Hz, 5 W			
Cieľové krajiny	GB, FR, BE, ES, IT, PT, CZ, SK, CH, CY, GR, IE, LT, LU, LV, TR, SI	DK, NO, NL, SE, FI, IS, CZ, IT, SK, BG, CY, EE, HR, HU, LT, LU, LV, MT, RO, SI, BE, GB, FR	AT, CH, DE, LU, SK	

RIEŠENIE PROBLÉMOV

Problém	Možná príčina	Prevencia/riešenie
Gril nedosahuje nastavenú teplotu	Nastavená hodnota sa zmenila	<ul style="list-style-type: none"> • Skontrolujte, či bola znížená požadovaná hodnota.
	Otvorené alebo často otvárané veko	<ul style="list-style-type: none"> • Ponechanie otvoreného veka grilu predlžuje proces zahrievania a môže spôsobiť, že teplotné snímače nezaznamenajú správnu teplotu. Počas varenia nechajte veko zatvorené.
	Porucha snímača teploty	<ul style="list-style-type: none"> • Ak sa teplota nezvyší, skontrolujte zapojenie vodičov: <ul style="list-style-type: none"> • Gril vypnite a odpojte ho od elektrickej siete. • Ovládací panel odmontujte a skontrolujte všetky káble, či sú pevne pripojené - ovládací panel znova namontujte a rovnakým spôsobom skontrolujte teplotnú sondu. • Ak sa teplota stále nezvyšuje, možno bude potrebné vymeniť snímač teploty • O pomoc požiadajte zákaznícky servis.
Hodnota teploty potravinárskej sondy sa nezobrazuje na displeji alebo zobrazuje neprimeranú hodnotu	Nie je úplne usadený/zapojený	<ul style="list-style-type: none"> • Zástrčku sondy zasuňte až na doraz do konektora sondy.
	Poškodená potravinárska sonda	<ul style="list-style-type: none"> • Sondu zapojte do iného konektora a sledujte údaje. Ak sa na displeji nezobrazí žiadna hodnota alebo sa zobrazí neprimeraná hodnota, vymeňte potravinársku sondu. Ak je teraz zobrazenie teploty aktívne a má primeranú hodnotu, skúste ešte raz pôvodný konektor. Ak je zobrazená hodnota stále nesprávna, možno bude potrebné vymeniť konektor sondy. • O pomoc požiadajte zákaznícky servis.
	Nečistoty v zásuvke potravinárskej sondy	<ul style="list-style-type: none"> • Pomocou baterky skontrolujte prípojky potravinovej sondy, ktoré nehlásia teplotu, aby ste našli prípadné nečistoty. Ak sa na grile nachádzajú nečistoty, uistite sa, že gril nie je napájaný, a potom nečistoty opatrne odstráňte. Skontrolujte, či je konektor potravinovej sondy čistý a suchý. Potravinársku sondu zasuňte do susednej zásuvky a skontrolujte, či je odčítaná hodnota. Ak sa na displeji riadiacej jednotky nezobrazuje teplota pre žiadnu z prípojok, potom je potravinárska sonda poškodená.
	Potravinárska sonda nie je správne vložená do potraviny	<ul style="list-style-type: none"> • Hrot sondy by sa mal vložiť do najhrubšej časti meranej potraviny. Potravinárska sonda by nemala byť v priamom kontakte so žiadnou kosťou, pretože priamy kontakt zabráni presnému odčítaniu. Potravinárska sonda by nemala byť v priamom kontakte so žiadnymi roštmi na varenie.
Výrobok sa nepripojí k Bluetooth	Výrobok je príliš ďaleko od telefónu	<ul style="list-style-type: none"> • Dokončíte proces párovania so zariadením vo vzdialenosti do 1,5 m od telefónu.
	Telefón Bluetooth je vypnutý alebo zapnutý v režime Lietadlo	<ul style="list-style-type: none"> • V nastaveniach mobilného zariadenia skontrolujte, či je zapnutá funkcia Bluetooth a či je vypnutý režim lietadla. <ol style="list-style-type: none"> 1. V prípade zariadení so systémom Android sa uistite, že sú zapnuté služby určovania polohy a že aplikácia má povolené používať služby určovania polohy. Tým sa v aplikácii umožní používanie funkcie Bluetooth. 2. V prípade zariadení iPhone skontrolujte, či je pre aplikáciu v nastaveniach operačného systému povolená funkcia Bluetooth.
	Výrobok je už spárovaný s iným telefónom	<ul style="list-style-type: none"> • Použite pôvodné mobilné zariadenie spárované s výrobkom alebo resetujte pripojenia grilu. Ak obnovujete pripojenie grilu, najprv odstráňte výrobok z nastavení Bluetooth mobilného zariadenia. Alebo počas procesu párovania vypnite funkciu Bluetooth v predchádzajúcom mobilnom zariadení. • Ak chcete resetovať pripojenie grilu, stlačte a podržte ovládací gombík na 10 sekúnd. Ozve sa pípnutie, ktoré signalizuje dokončenie resetovania. Teraz vykonajte proces párovania pre Bluetooth v zariadení.
	Výrobok je už spárovaný s tým istým telefónom	<ul style="list-style-type: none"> • Vypnite výrobok a zatvorte aplikáciu. Výrobok zapnite a znovu otvorte aplikáciu. Ak sa výrobok stále nepripája cez Bluetooth, odstráňte ho z nastavení zariadenia Bluetooth v operačnom systéme mobilného telefónu. Na grile stlačte a podržte ovládací gombík, kým nezaznie zvukový signál, čím vymažete nastavenia Bluetooth grilu a znovu spustíte proces párovania.

RIEŠENIE PROBLÉMOV

Problém	Možná príčina	Prevencia/riešenie
Výrobok sa nepripojí k sieti Wi-Fi	Nesprávne heslo smerovača	<ul style="list-style-type: none"> Skontrolujte heslo a znova skúste proces pripojenia k sieti Wi-Fi.
	Žiadne pripojenie k internetu	<ul style="list-style-type: none"> Ak majú ostatné zariadenia prístup na internet: - Odpojte gril na 30 sekúnd a znova ho zapojte. Skontrolujte pripojenie. - Smerovač odpojte na 30 sekúnd a znova ho zapojte. Skontrolujte pripojenie. Znova vykonajte nastavenie Wi-Fi v aplikácii - ak sa sieť Wi-Fi nezobrazí v zozname vyhľadávania, výrobok môže byť príliš vzdialený od smerovača.
	Smerovač je príliš ďaleko od grilu	<ul style="list-style-type: none"> Znova vykonajte nastavenie Wi-Fi v aplikácii - ak sa sieť Wi-Fi nezobrazí v zozname vyhľadávania, výrobok môže byť príliš vzdialený od smerovača. Pomocou mobilného zariadenia v oblasti, kde sa gril nachádza, skontrolujte, či je tam prístup na internet.
	Prekážky medzi smerovačom a grilom	<ul style="list-style-type: none"> Gril umiestnite tak, aby sa počet stien a objektov medzi grilom a smerovačom minimalizoval.
	Žiadne pripojenie k 2,4 GHz sieti Wi-Fi	<ul style="list-style-type: none"> Gril podporuje iba 2,4 G siete Wi-Fi. Potrebný je náhradný smerovač.
Zlyhanie riadiacej jednotky <ul style="list-style-type: none"> Do ovládacej konzoly je prerušené napájanie elektrickým prúdom. Gril sa spustí v poriadku, ale ovládacia obrazovka je prázdna a gril prestane fungovať. 	Zariadenie nie je pripojené k elektrickej sieti.	<ul style="list-style-type: none"> Skontrolujte, či je kábel správne zapojený do elektrickej zásuvky. Zapojte ho do elektrickej zásuvky a znova ho skontrolujte.
	Poistka napájacieho obvodu sa vypla.	<ul style="list-style-type: none"> Skontrolujte, či nedošlo k vypnutiu elektrickej zásuvky GFCI (RCBO/RCD) alebo ističa a resetujte obvod.
	<ul style="list-style-type: none"> Porucha alebo zlyhanie napájacieho kábla. Porucha riadiacej jednotky (PCB). 	<ul style="list-style-type: none"> Gril odpojte od elektrickej siete. Ovládací panel odmontujte a skontrolujte všetky káble, či nie sú poškodené a či sú pevne pripojené, najmä napájací kábel. Ak sú vodiče poškodené, vymeňte príslušné súčasti a znova ich skontrolujte. Ak vodiče nie sú poškodené a spojenia sú overené, kontaktujte zákaznícky servis a požiadajte o ďalšiu pomoc.
Problémy s GFCI (RCBO/RCD) <ul style="list-style-type: none"> Do ovládacej konzoly je prerušené napájanie elektrickým prúdom. Gril sa spustí v poriadku, ale ovládacia obrazovka je prázdna a gril prestane fungovať. Na elektrickej zásuvke sa vysunie tlačidlo na resetovanie GFCI. 	<ul style="list-style-type: none"> Chybná elektrická zásuvka GFCI. Vlhkosť vo vnútri elektrickej zásuvky. Elektrická zásuvka nie je na vyhradenom obvode. Problémy s ističom." 	<ul style="list-style-type: none"> Všetky zariadenia odpojte od elektrickej zásuvky. Stlačte resetovacie tlačidlo na elektrickej zásuvke a uistite sa, že sa testovacie tlačidlo vráti do normálnej polohy. Gril zapojte a zapnite na približne 10 minút a sledujte, či sa GFCI nevypne. Ak sa GFCI vypne do 10 minút, overte odber GFCI v ampéroch (odporúčame použiť 13-ampérový GFCI). Ak sa používa 13-ampérový GFCI a stále dochádza k vypínaniu, môže byť potrebný elektrikár. Ak sa GFCI nevypne do 10 minút a ak máte zapojený druhý spotrebič do tej istej zásuvky, znova zapojte a zapnite pôvodný druhý spotrebič. Ak sa GFCI vypne pri zapnutom druhom spotrebiči, môže byť problém v druhom spotrebiči. Iný spotrebič zapojte do rovnakej zásuvky a zapnite ho. Ak dôjde k vypnutiu iného spotrebiča, môže byť potrebný elektrikár. Všetky zariadenia odpojte od elektrickej zásuvky.

DŮLEŽITÉ BEZPEČNOSTNÍ INFORMACE

BEZPEČNOSTNÍ SYMBOLY

Pro zdůraznění kritických a důležitých informací jsou v této uživatelské příručce používány pojmy **NEBEZPEČÍ**, **VAROVÁNÍ** a **UPOZORNĚNÍ**. Přečtěte si tato prohlášení a dodržujte je, abyste zajistili bezpečnost a předešli škodám na majetku.

Pojmy jsou definovány níže.



UPOZORNĚNÍ

UPOZORNĚNÍ: Označuje potenciálně nebezpečnou situaci nebo nebezpečný postup, který, pokud se mu nevyhnete, může mít za následek lehké nebo středně těžké zranění.



VAROVÁNÍ

VAROVÁNÍ: Označuje potenciálně nebezpečnou situaci, která, pokud se jí nevyhnete, může mít za následek smrt nebo vážné zranění.



NEBEZPEČÍ

NEBEZPEČÍ: Označuje bezprostředně nebezpečnou situaci, která, pokud se jí nevyhnete, bude mít za následek smrt nebo vážné zranění.

INSTALÁTOR/SESTAVOVATEL:

Nechte tento návod spotřebiteli.

SPOTŘEBITEL:

Uchovejte tento návod pro budoucí použití.

Za montáž, instalaci a údržbu grilu je odpovědný sestavovatel/majitel.

Otázky:

Máte-li dotazy během sestavování nebo používání grilu, kontaktujte svého místního prodejce.

POUZE PRO VENKOVNÍ POUŽITÍ

1. Pouze pro venkovní použití.
2. Nepoužívejte uvnitř nebo pro komerční vaření.
3. Spotřebič používejte pouze v dobře odvětraném prostoru.



VAROVÁNÍ

- Tento návod k obsluze obsahuje důležité informace nezbytné pro správnou montáž a bezpečné používání spotřebiče.
- Před sestavením a použitím spotřebiče si přečtěte všechna varování a pokyny a dodržujte je.
- Při používání spotřebiče dodržujte všechna varování a pokyny.
- Uchovejte tento návod pro budoucí použití.



NEBEZPEČÍ

- Nikdy nenechávejte tento spotřebič bez dozoru.
- Nikdy nepoužívejte toto zařízení ve vzdálenosti do 10 stop (3 m) od jakékoli konstrukce, hořlavého materiálu nebo jiné plynové láhve.
- Nikdy nepoužívejte toto zařízení ve vzdálenosti 25 stop (7,5 m) od jakékoli hořlavé kapaliny.
- Pokud dojde k požáru, držte se dále od spotřebiče a okamžitě zavolejte hasiče. Nepokoušejte se uhasit vznícení oleje nebo tuku vodou. Nedodržení těchto pokynů může vést k požáru, výbuchu nebo popálení, což může způsobit poškození majetku, zranění nebo smrt.



VAROVÁNÍ

1. Neskladujte ani nepoužívejte benzín nebo jiné hořlavé kapaliny v blízkosti tohoto ani jiného spotřebiče.
2. Plynová láhev, která není připojena k použití, nesmí být skladována v blízkosti tohoto nebo jiného zařízení.



NEBEZPEČÍ

Pokud cítíte plyn:

1. Uzavřete přívod plynu do spotřebiče
2. Uhasete otevřený plamen.
3. Otevřete víko.
4. Pokud zápach přetrvává, nepřibližujte se ke spotřebiči a okamžitě zavolejte svého dodavatele plynu nebo hasiče.



VAROVÁNÍ

1. Neskladujte ani nepoužívejte benzín nebo jiné hořlavé kapaliny v blízkosti tohoto ani jiného spotřebiče.
2. Plynová láhev, která není připojena k použití, nesmí být skladována v blízkosti tohoto nebo jiného zařízení.



VAROVÁNÍ

Pro bezpečné používání spotřebiče a prevenci vážného zranění:

POUŽÍVEJTE POUZE VENKU. NIKDY NEPOUŽÍVEJTE UVNITŘ.

Před použitím spotřebiče si přečtěte pokyny.

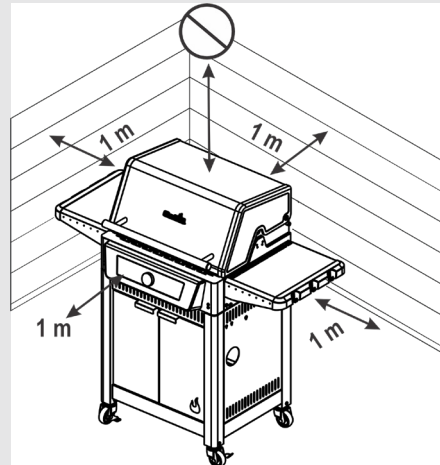
Vždy dodržujte tyto pokyny.

- Během používání spotřebiče nepřemísťujte.
- Přístupné části mohou být velmi horké. Malé děti udržujte mimo dosah grilu. Nenechávejte děti pohybovat se nebo hrát si v blízkosti spotřebiče.
- Po použití vypněte přívod plynu na láhvi.
- Tento spotřebič musí být během používání umístěn mimo dosah hořlavých materiálů.
- Neblokujte otvory na bočních stranách nebo zadní straně spotřebiče.
- Pravidelně kontrolujte plameny hořáku.
- Neblokujte Venturiho otvory na hořáku.
- Spotřebič používejte pouze v dobře odvětraném prostoru. **NIKDY** nepoužívejte v uzavřených prostorách, jako je přístřešek pro auto, garáž, veranda, krytá terasa nebo pod stropní konstrukcí jakéhokoli druhu.
- V plynovém spotřebiči nepoužívejte dřevěné uhlí ani keramické brikety.

PÉČE A POUŽÍVÁNÍ

- **NEZAKRÝVEJTE** rošty hliníkovou fólií nebo jiným materiálem. Zablokujete tím ventilaci hořáku a vytvoříte potenciálně nebezpečný stav vedoucí ke škodě na majetku a/nebo zranění osob.
- Tento gril se automaticky znovu zapálí při zavřeném víku, před prvním zapálením víko otevřete.
- Zařízení používejte alespoň 1 m od jakékoli stěny nebo povrchu. Udržujte vzdálenost 3 m od předmětů, které se mohou vznítit, nebo od zdrojů vznícení, jako jsou kontrolky na ohřívacích vody, elektrické spotřebiče pod napětím atd. Skladování nezapáleného plynu uvnitř uzavřeného spotřebiče je nebezpečné.
- Před přemístěním plynové láhve z určené pracovní polohy vždy vypněte plyn na láhvi a odpojte regulátor.
- Nikdy neprovozujte spotřebič s plynovou lahví mimo určenou správnou polohu.
- Spotřebič neupravujte. Jakékoli úpravy jsou přísně zakázány.
- Uživatel nesmí manipulovat s uzavřenými díly. Nerozebírejte vstříkovače.

VAROVÁNÍ



- Před přemístěním plynové láhve z určené pracovní polohy vždy vypněte plyn na láhvi a odpojte regulátor.
- Nikdy neprovozujte spotřebič s plynovou lahví mimo určenou správnou polohu.
- Spotřebič neupravujte. Jakékoli úpravy jsou přísně zakázány. Uživatel nesmí manipulovat s uzavřenými díly. Nerozebírejte vstříkovače.
- Při vaření nepoužívejte gril se zavřeným víkem.

Nedodržení veškerých pokynů výrobce může mít za následek vážné zranění osob a/nebo poškození majetku.

Nepokoušejte se opravovat nebo upravovat hadici/ventil/regulátor kvůli jakékoli „předpokládané“ závadě. Jakákoli úprava této sestavy zneplatní vaši záruku a vytvoří riziko úniku plynu a požáru. Používejte pouze autorizované náhradní díly dodané výrobcem.

Nezakrývejte rošty hliníkovou fólií ani jiným materiálem. To zablokuje ventilaci hořáku a vytvoří potenciálně nebezpečný stav vedoucí ke škodě na majetku a/nebo zranění osob.

Než se pokusíte spotřebič sestavit a vařit na něm, přečtěte si všechna bezpečnostní prohlášení, montážní pokyny a pokyny k použití a údržbě a dodržujte je.

Některé části mohou obsahovat ostré hrany. Doporučuje se nosit ochranné rukavice.

Vzplanutí tuku

- Uhašení vzplanutí tuku uzavřením víka není možné. Tento spotřebič je z bezpečnostních důvodů dobře odvětráný.
- Na oheň nepoužívejte vodu, mohlo by dojít ke zranění osob. Pokud dojde k přetrvávajícímu vznícení tuku, vypněte knoflíky a plynovou láhev.
- Pokud není spotřebič pravidelně čištěn, může dojít ke vznícení tuku, které může poškodit výrobek. Při předeřívání nebo spalování zbytků jídla věnujte zvýšenou pozornost tomu, aby nedošlo ke vznícení tuku. Dodržujte pokyny pro celkové čištění spotřebiče a čištění sestavy hořáku, abyste zabránili vznícení tuku. Nejlepším způsobem, jak zabránit vznícení tuku, je pravidelné čištění spotřebiče.
- Nenechávejte gril bez dozoru, když předeříváte nebo spalujete zbytky jídla na MAX. Pokud není spotřebič pravidelně čištěn, může dojít ke vznícení tuku, které může výrobek poškodit.

PÉČE A POUŽÍVÁNÍ

Bezpečnostní tipy

- Před otevřením ventilu plynové láhve zkontrolujte těsnost regulátoru.
- Když spotřebič nepoužíváte, vypněte regulátor a plyn.
- Používejte grilovací náčiní s dlouhou rukojetí, aby nedošlo k popálení a postříkání. Při manipulaci s horkými součástmi používejte ochranné rukavice.
- Maximální zatížení boční police je 4,5 kg.
- Nádobu na tuk (je-li součástí výbavy) musí být vložena do spotřebiče a vyprázdněna po každém použití. Neodstraňujte nádobku na tuk, dokud spotřebič zcela nevychladne.
- Při otvírání víka buďte velmi opatrní, protože může unikat horká pára.
- Buďte velmi opatrní, když jsou v blízkosti děti, starší lidé nebo domácí zvířata.
- Pokud si všimnete, že tuk nebo jiný horký materiál kape ze spotřebiče na ventil, hadici nebo regulátor, okamžitě vypněte přívod plynu. Před pokračováním zjistěte příčinu, opravte ji, vyčistěte a zkontrolujte ventil, hadici a regulátor. Provedte zkoušku těsnosti.
- Uvnitř krytu vozíku neskladujte předměty nebo materiály, které by blokovaly proudění spalovacího vzduchu na spodní stranu ovládacího panelu nebo mísy topeniště.
- **NEODPOJUJTE** ani nevyměňujte nádobu s plynem ve vzdálenosti do 3 m od otevřeného ohně nebo jiného zdroje zapálení..
- Tento spotřebič mohou používat osoby se sníženými fyzickými, smyslovými nebo duševními schopnostmi nebo s nedostatkem zkušeností a znalostí, pokud na ně někdo dohlíží nebo byly poučeny o používání spotřebiče bezpečným způsobem a rozumí souvisejícím nebezpečím.
- Děti si se spotřebičem nesmějí hrát.
- Čištění a uživatelskou údržbu nesmějí provádět děti bez dozoru.
- Pokud je napájecí kabel poškozen, musí být vyměněn výrobcem, jeho servisním zástupcem nebo podobně kvalifikovanou osobou, aby se předešlo nebezpečí.

Umístění lahví

Láhve umístěné ve spotřebiči musí mít maximální průměr 340 mm a maximální výšku včetně regulátoru 400 mm. Větší láhve umístěte pouze pod boční polici nebo za gril. Láhve umístěné na zemi nesmí být umístěny pod varnou deskou.

Požadavky na regulátor

S tímto spotřebičem musí být použit regulátor. Používejte pouze regulátor plynu dodaný s grilem. Pokud regulátor není dodán, použijte pouze regulátor certifikovaný podle EN16129 (průtok max. 1,5 kg/h) a schválený pro vaši zemi a plyn uvedený v technických údajích.

Požadavky na hadici

Používejte pouze schválenou hadici, která je certifikována podle příslušné normy EN a její délka nepřesahuje 1,5 m. Pro Finsko nesmí délka hadice překročit 1,2 m. Před každým použitím zkontrolujte, zda nejsou hadice proříznuté nebo opotřebované. Ujistěte se, že hadice není zalomená. Před použitím spotřebiče poškozené hadice vyměňte. Vyměňte hadici podle požadavků vnitrostátních požadavků.

Zapálení zapalovačem

- **Při zapalování se nenaklánějte nad gril.**
- 1. Zapojte napájecí kabel.
- 2. Během zapalování nebo opětovného zapalování otevřete víko.
- 3. Zapněte plyn na plynové láhvi.
- 4. Stisknutím tlačítka napájení zapněte ovladač.
- 5. Otočte knoflíkem na požadovanou teplotu.
- 6. Stiskněte a uvolněte knoflík pro zapálení grilu. (Chcete-li ovládat pouze jednu stranu grilu, viz pokyny v části Obsluha grilu.)
- 7. Pokud k zapálení nedojde, vymažte chybový kód stisknutím a podržením tlačítka napájení vypněte gril. Počkejte 5 minut a opakujte postup zapalování.



VAROVÁNÍ

- Vypněte ovládací prvky a plynovou láhev, když je nepoužíváte.
- Ujistěte se, že se hadice po připojení nedotýká žádných teplých povrchů.



UPOZORNĚNÍ

Pokud k zapálení nedojde, vymažte chybový kód stisknutím a podržením tlačítka napájení vypněte gril. Počkejte 5 minut a opakujte postup zapalování. Pokud není hořák zapálen s otevřeným ventilem, plyn bude dále proudit z hořáku a mohl by se náhodně vznítit s nebezpečím zranění.

Testování těsnosti ventilů, hadice a regulátoru

Otestujte těsnost před prvním použitím, nejméně jednou ročně a při každé výměně nebo odpojení válce.

1. Vypněte spotřebič.
2. Ujistěte se, že je regulátor pevně připojen k plynové láhvi.
3. Zapněte plyn. Pokud uslyšíte syčivý zvuk, okamžitě vypněte plyn. Ve spojení dochází k velkému úniku. Než budete pokračovat, závalu opravte.
4. Naneste na hadicové spoje mýdlový roztok (směs poloviny mýdla a poloviny vody).
5. Pokud se objeví zvětšující se bubliny, dochází k úniku. Okamžitě vypněte plyn na láhvi a zkontrolujte těsnost spojů. Pokud únik nelze zastavit, nepokoušejte se jej opravit. Vyžádejte si náhradní díly.
6. Po provedení testu těsnosti vždy vypněte plyn na láhvi.

POKUD SE SPOTŘEBIČ NEZAPÁLÍ

- Ujistěte se, že je plyn zapnutý na láhvi.
- Ujistěte se, že je v láhvi plyn.
- Vydává zapalovač jiskřící zvuk? Během zkoušky těsnosti nekuřte.
 1. Pokud ano, zkontrolujte jiskru na hořáku.
 2. Pokud se jiskra neobjeví, zkontrolujte, zda nejsou poškozené nebo uvolněné vodiče.
- Pokud jsou vodiče v pořádku, zkontrolujte, zda nejsou prasklé nebo zlomené elektrody, a v případě potřeby je vyměňte.
- Pokud jsou vodiče nebo elektrody pokryty zbytky z vaření, v případě potřeby očistěte hrot elektrody hadříkem s alkoholem.
- V případě potřeby vyměňte vodiče.
- Zkontrolujte, zda není uvolněné připojení vodiče na ovladači.



UPOZORNĚNÍ

POZOR NA PAVOUKY!

PAVOUCI A ŠÍŤ UVNITŘ HOŘÁKU



Váš hořák se může lišit.

- Pokud jde gril zapálit jen obtížně nebo je plamen slabý, zkontrolujte Venturiho trubici a hořáky a vyčistěte je.
- Je známo, že pavouci nebo malý hmyz vytvářejí problémy se „zpětným vzplanutím“ tím, že si staví hnízda a kladou vajíčka do Venturiho trubice nebo hořáku grilu, čímž brání proudění plynu. Nahromaděný plyn se může vznítit za ovládacím panelem. Toto zpětné vzplanutí může poškodit gril a způsobit zranění. Abyste předešli zpětnému vzplanutí a byl zajištěn dobrý výkon, měla by být sestava hořáku a Venturiho trubice vyjmuta a vyčištěna vždy, když byl gril delší dobu nepoužíván.

Čištění sestavy hořáku

Při čištění a/nebo výměně částí sestavy hořáku nebo v případě, že máte potíže se zapálením grilu, postupujte podle těchto pokynů.

1. Vypněte plyn na plynové láhve.
2. Odstraňte grilovací rošty.
3. Odstraňte přenosové trubice a součástky zajišťující hořáky.
4. Odpojte elektrodu od hořáku.
5. Opatrně zvedněte každý hořák nahoru a směrem pryč od ventilových otvorů.
Doporučujeme tři způsoby čištění trubek hořáku. Použijte ten, který je pro vás nejjednodušší.
(A) Ohněte tuhý drát (dobře funguje tenké ramínko na šaty) do malého háčku. Háček protáhněte několikrát každou trubicí hořáku.



- (B) Použijte úzký kartáč na láhve s ohebnou rukojetí (nepoužívejte mosazný drátěný kartáč). Projedte kartáčem několikrát každou trubicí hořáku.
- (C) **Používejte ochranu očí:** Použijte vzduchovou hadici k vytlačení vzduchu do trubice hořáku a ven z portů hořáku. Zkontrolujte každý port, abyste se ujistili, že z každého otvoru vychází vzduch.
6. Drátěným kartáčem očistěte celý vnější povrch hořáku a odstraňte zbytky jídla a nečistot.
7. Vyčistěte všechny zablokované porty pevným drátem, například otevřenou kancelářskou sponkou.

8. Zkontrolujte hořák, zda není poškozený běžným opotřebením a korozí, některé otvory se mohou zvětšit. Pokud najdete velké praskliny nebo díry, vyměňte hořák.
9. Připojte elektrodu a snímač plamene k hořáku.
10. Opatrně vyměňte hořáky.
11. Připevněte hořáky k držákům na topeništi.
12. Opět umístěte přenosové trubice a připojte je k hořákům. Vyměňte grilovací rošty.
13. Před opětovným vařením na grilu proveďte „Test těsnosti“ a „Kontrolu plamene hořáku“.

Celkové čištění spotřebiče

Pravidelné čištění grilu je nezbytné, protože může dojít k požáru v grilu, když se na jeho dně nahromadí tuk a zbytky potravin. Po každém použití grilu odstraňte zbytky potravin z grilovacího roštu a vnitřku grilu pomocí kartáče Char-Broil Cool-Clean Brush. Poté můžete na rošt štedře nastříkat Char-Broil Grate Cleaner, nechat 10 minut působit a setřít vlhkým hadříkem nebo kartáčem. Čištění grilu provádějte po jeho vychladnutí.

- **Nezaměňujte** hnědé nebo černé vrstvy tuku a kouře za barvu. Vnitřky plynových grilů nejsou v továrně natírány (a nikdy by neměly být natírány). Na vnitřní stranu víka a dna spotřebiče naneste silný roztok saponátu a vody nebo použijte čisticí prostředek na spotřebiče s kartáčem. Opláchněte a nechte zcela uschnout na vzduchu. Na natřené povrchy neaplikujte žíravý čistič spotřebičů/troub.
- **Plastové díly:** Omyjte teplou mýdlovou vodou a otřete do sucha. Na plastové díly nepoužívejte abrazivní čističe, odmašťovače ani koncentrované čističe spotřebičů. Může dojít k poškození a selhání dílů.
- **Porcelánové povrchy:** Díky složení podobnému sklu lze většinu zbytků setřít roztokem jedlé sody/vody, čističem skla nebo čističem roštů Char-Broil Grate Cleaner. Na odolné skvrny použijte neabrazivní čisticí prášek.
- **Natřené povrchy:** Omyjte jemným saponátem nebo čističem a teplou mýdlovou vodou nebo Char-Broil Grill Cleaner. Otřete do sucha měkkým neabrazivním hadříkem.
- **Plochy na vaření:** Před grilováním se ujistěte, že na grilovacích plochách nezůstaly volné štětiny. Když je gril horký, doporučujeme čistit varné plochy pouze pomocí náhradní hlavice Char-Broil Hot-Clean (na kartáči Char-Broil Cool-Clean Premium Brush).
- **Ovladač:** Chcete-li vyčistit čelní plochu ovladače, otřete ji dočista měkkým suchým hadříkem.

Nastavení CLEAN

Gril je vybaven inovativním nastavením CLEAN, které umožňuje bezproblémové čištění grilu. Vysoká teplota generovaná hořáky spálí všechny zbytky jídla na popel.

Postupujte takto:

- Po dokončení grilování, když je teplota stále nastavena, stiskněte a podržte ikonu CLEAN, dokud se na ovladači nezobrazí CLN.
- Jakmile gril vychladne, použijte kartáč Char-Broil Cool-Clean Brush k odstranění všech zbývajících nečistot a popel zlikvidujte.
- Chcete-li dosáhnout extra lesklých výsledků, použijte jako poslední krok čistič roštů Char-Broil Grate Cleaner. Nastříkejte na rošt, nechte 10 minut působit a otřete vlhkým hadříkem nebo kartáčem.

PÉČE A POUŽÍVÁNÍ

Pro vaši bezpečnost

- Zásobník na tuk musí být vložen do spotřebiče a vyprázdněn po každém použití.
- Pokud máte problém se spotřebičem, nahlédněte se do části „Odstraňování problémů“.

DŮLEŽITÁ BEZPEČNOSTNÍ OPATŘENÍ

Při používání elektrických spotřebičů je třeba vždy dodržovat základní bezpečnostní opatření, včetně následujících:

PŘEČTĚTE SI VŠECHNY POKYNY

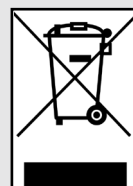
- Nedotýkejte se horkých povrchů nechráněnými rukama. K ovládání používejte dodané rukojeti a knoflíky.
- Abyste se chránili před úrazem elektrickým proudem, neponořujte kabel, zástrčky ani ovladač do vody ani jiné kapaliny.
- Nenechávejte spotřebič bez dozoru.
- Když je spotřebič používán dětmi nebo v jejich blízkosti, je nutný pečlivý dohled. Udržujte děti a domácí zvířata vždy mimo dosah spotřebiče.
- Tento spotřebič není hračka.
- Nikdy nenechávejte gril bez dozoru, když je **ZAPNUTÝ**.
- Vytáhněte zástrčku ze zásuvky, když gril nepoužíváte a před jeho přemístěním nebo čištěním.
- Před nasazením nebo sejmutím dílů jej nechte vychladnout. Neprovozujte spotřebič s poškozenou šňůrou nebo zástrčkou nebo poté, co spotřebič nefunguje správně nebo byl jakýmkoliv způsobem poškozen.
- Použití příslušenství, které není doporučeno výrobcem spotřebiče, může způsobit zranění. Používejte pouze příslušenství doporučené výrobcem.
- Nenechávejte kabel viset přes okraj stolu nebo pultu ani se dotýkat horkých povrchů.
- Nepoužívejte spotřebič k jinému než určenému použití. Tento spotřebič není zamýšlen a nikdy by neměl být používán jako ohříváč.
- Abyste zabránili potřísnění nebo pádu grilu do vody, nepoužívejte gril v okruhu 3 metrů od bazénu, jezírka nebo jiné vodní plochy.
- Udržujte gril a elektrický ovladač vždy v suchu a mimo déšť.
- Udržujte elektrické zástrčky nikoli na zemi a suché.
- K čištění výrobku nepoužívejte vodu nebo jiné tekuté spreje, aniž byste nejprve odpojili elektrický ovladač.

- Během používání nepoužívejte ani neskladujte benzín, petrolej nebo jiné hořlavé kapaliny do vzdálenosti 7 metrů od tohoto grilu. Udržujte prostor okolo spotřebiče prázdný a bez materiálů, které hoří.
- Během používání spotřebič nepřemísťujte.
- Při vaření musí být spotřebič na rovném a stabilním povrchu v oblasti bez hořlavých materiálů.
- Užívání alkoholu, léků na předpis nebo volně prodejných léků může zhoršit schopnost spotřebitele správně sestavit nebo bezpečně obsluhovat spotřebič.
- Při čištění neponořujte spotřebič do vody

Pro vaši bezpečnost – pokud musíte použít prodlužovací kabel:

- Používejte pouze kabel venkovního typu dimenzovaný na 13 ampér nebo vyšší.
- Použijte co nejkratší požadovaný prodlužovací kabel. Nespojíte 2 nebo více prodlužovacích kabelů dohromady.
- Udržujte spoje suché a nikoli na zemi.
- Nenechávejte šňůru viset přes okraj desky stolu nebo jiné předměty, kde by za ni mohly zatáhnout děti nebo o ni zakopnout.

Tento výrobek nesmí být likvidován společně s domovním odpadem. Tento výrobek musí být zlikvidován na autorizovaném místě pro recyklaci elektrických a elektronických zařízení. Sběrem a recyklací odpadu pomáháte šetřit přírodní zdroje a zajišťujete, aby byl výrobek zlikvidován ekologicky a zdravotně nezávadným způsobem.



Uskladnění spotřebiče

- Vyčistěte grilovací rošty.
- Skladujte na suchém místě.
- Je-li plynová láhev připojena ke spotřebiči, skladujte ji venku na dobře větraném místě a mimo dosah dětí.
- Při skladování venku spotřebič zakryjte.
- Spotřebič skladujte uvnitř POUZE v případě, že je plynová láhev vypnutá a odpojená, vyjmutá ze spotřebiče a uložena venku. Při vyjímání spotřebiče ze skladu zkontrolujte, zda není hořák ucpaný.

Pro snadné nastavení navštivte naše webové stránky a přejděte na stránku produktu pro Evolve Gas. Ve vašem rodném jazyce naleznete stručnou příručku, která vám pomůže ovládat ovladač.

TECHNICKÁ DATA

TECHNICKÁ DATA CHAR-BROIL, LLC				
Název spotřebiče	Plynový gril			
Celkový nominální tepelný příkon	8,44 kW (614 g/h)		7,62 kW (554 g/h)	
Kategorie plynu	I3+(28-30/37)	I3B/P(30)	I3B/P(50)	
Model č.	468921224		468922224	
Typ plynu	Butan	Propan	Butan, propan nebo jejich směsi	Butan, propan nebo jejich směsi
Tlak plynu	28-30 mbar	37 mbar	30 mbar	50 mbar
Velikost vstřikovače (průměr mm)	Gril: 0,72 x 4 ks		Gril: 0,72 x 4 ks	Gril: 0,58 x 4 ks
Velikost vstřikovače bočního hořáku (průměr mm)	Gril: Nevztahuje se		Gril: Nevztahuje se	Gril: Nevztahuje se
Jmenovitý výkon	220-240V, 50Hz, 5W			
Cílové země	GB, FR, BE, ES, IT, PT, CZ, SK, CH, CY, GR, IE, LT, LU, LV, TR, SI	DK, NO, NL, SE, FI, IS, CZ, IT, SK, BG, CY, EE, HR, HU, LT, LU, LV, MT, RO, SI, BE, GB, FR	AT, CH, DE, LU, SK	

ODSTRAŇOVÁNÍ PROBLÉMŮ

Problém	Možná příčina	Prevence/řešení
Gril nedosáhne teploty	Nastavená hodnota změněna	<ul style="list-style-type: none"> Zkontrolujte, zda nebyla nastavená hodnota snížena.
	Víko zůstalo otevřené nebo je často otevíráno.	<ul style="list-style-type: none"> Necháte-li víko grilu otevřené, prodlouží se proces zahřívání a může dojít k tomu, že teplotní senzory nebudou snímat správnou teplotu. Během vaření nechte víko zavřené.
	Porucha snímače teploty	<ul style="list-style-type: none"> Pokud se teplota nezvýší, zkontrolujte připojení vodičů: <ul style="list-style-type: none"> Vypněte gril a odpojte jej. Vyjměte ovládací panel a ujistěte se, že jsou všechny vodiče pevně připojeny. Znovu smontujte ovládací panel a vyhodnoťte teplotní sondu stejným způsobem. Pokud se teplota stále nezvýší, může být nutné teplotní senzor vyměnit. Požádejte o pomoc zákaznický servis.
Teplota potravinové sondy se nezobrazí na displeji nebo vykazuje nepřiměřenou hodnotu	Není zcela usazena/zapojena	<ul style="list-style-type: none"> Zasuňte zástrčku sondy až na doraz do konektoru sondy.
	Poškozená potravinová sonda	<ul style="list-style-type: none"> Zapojte sondu do jiného konektoru sondy a sledujte měření. Pokud se nic nezobrazí nebo se zobrazí nepřiměřená hodnota, potravinovou sondu vyměňte. Pokud je nyní zobrazení teploty aktivní a má přiměřenou hodnotu, zkuste ještě jednou původní konektor. Pokud je zobrazení stále špatné, může být nutné vyměnit konektor sondy. Požádejte o pomoc zákaznický servis.
	Kontaminace v konektoru potravinové sondy	<ul style="list-style-type: none"> Pomocí baterky zkontrolujte konektory potravinových sond, které nehlásí teplotu, abyste odhalili nečistoty. Pokud jsou v nich nečistoty, ujistěte se, že je gril vypnutý, a poté nečistoty opatrně odstraňte. Zkontrolujte, zda je konektor potravinové sondy čistý a suchý. Vložte potravinovou sondu do sousedního konektoru a zkontrolujte naměřenou hodnotu. Pokud se na ovladači pro žádný z konektorů nezobrazuje teplota, je potravinová sonda poškozená.
	Potravinová sonda není správně vložena do potraviny	<ul style="list-style-type: none"> Špička sondy by měla být vložena do nejsilnější části měřené potraviny. Potravinová sonda by neměla být v přímém kontaktu s kostí, protože přímý kontakt zabrání přesnému měření. Potravinová sonda by neměla být v kontaktu s grilovacími rošty.
Produkt se nepřipojuje k Bluetooth	Produkt je příliš daleko od telefonu	<ul style="list-style-type: none"> Dokončete proces párování se zařízením do vzdálenosti 1,5 m (5 stop) od telefonu.
	Bluetooth v telefonu je vypnuto nebo máte zapnutý režim Letadlo	<ul style="list-style-type: none"> V nastavení svého mobilního zařízení se ujistěte, že je zapnuto Bluetooth a deaktivován režim Letadlo. <ol style="list-style-type: none"> U zařízení Android se ujistěte, že jsou zapnuté služby určování polohy a že aplikace má povoleno používat služby určování polohy. To umožní použití Bluetooth v aplikaci. U zařízení iPhone zkontrolujte, zda je pro aplikaci povoleno Bluetooth v nastavení operačního systému.
	Produkt je již spárován s jiným telefonem	<ul style="list-style-type: none"> Použijte původní mobilní zařízení spárované s produktem nebo resetujte připojení grilu. Pokud resetujete připojení grilu, nejprve odstraňte produkt z nastavení Bluetooth mobilního zařízení. Případně vypněte Bluetooth na předchozím mobilním zařízení během procesu párování. Chcete-li resetovat připojení grilu, stiskněte a podržte ovládací knoflík po dobu 10 sekund. Zazní pípnutí indikující dokončení resetování. Nyní projděte procesem párování pro Bluetooth na zařízení.
	Produkt je již spárován se stejným telefonem	<ul style="list-style-type: none"> Vypněte produkt a zavřete aplikaci. Produkt znovu zapněte a znovu otevřete aplikaci. Pokud produkt stále není připojen přes Bluetooth, odeberte produkt z nastavení zařízení. Na grilu stiskněte a podržte ovládací knoflík, dokud nezazní pípnutí, čímž vymažete nastavení Bluetooth grilu a restartujete proces párování.

ODSTRAŇOVÁNÍ PROBLÉMŮ

Problém	Možná příčina	Prevence/řešení
Produkt se nepřipojí k WiFi	Nesprávné heslo routeru	<ul style="list-style-type: none"> Zkontrolujte heslo a zkuste znovu proces připojení k WiFi.
	Není internet	<ul style="list-style-type: none"> Ověřte přístup k internetu na jiných zařízeních. Pokud ostatní zařízení mají internet: - Odpojte gril na 30 sekund a znovu jej zapojte. Zkontrolujte připojení. - Odpojte router na 30 sekund a znovu jej zapojte. Zkontrolujte připojení. Znovu proveďte nastavení WiFi v aplikaci – pokud se WiFi síť neobjeví v seznamu skenování, produkt může být příliš daleko od routeru.
	Router je příliš daleko od grilu	<ul style="list-style-type: none"> Znovu proveďte nastavení WiFi v aplikaci – pokud se WiFi síť neobjeví v seznamu skenování, produkt může být příliš daleko od routeru. Pomocí mobilního zařízení v oblasti, kde se nachází gril, zkontrolujte, zda je přístup k internetu.
	Překážky mezi routerem a grilem	<ul style="list-style-type: none"> Umístěte gril tak, aby byl počet stěn a předmětů mezi grilem a routerem co nejnižší.
	Není 2,4 GHz WiFi	<ul style="list-style-type: none"> Grill podporuje pouze 2,4G WiFi síť. Je vyžadován jiný router.
Selhání ovladače <ul style="list-style-type: none"> Ovládací konzole není napájena. Gril se spustí, ale ovládací obrazovka zhasne a gril přestane fungovat. 	Jednotka není zapojena.	<ul style="list-style-type: none"> Zkontrolujte, zda je kabel správně zapojen do zásuvky. Zapojte do zásuvky a znovu zkontrolujte.
	Vypadla pojistka napájecího obvodu.	<ul style="list-style-type: none"> Zkontrolujte, zda nedošlo k aktivaci výstupu nebo jističe GFCI (RCBO/RCD) a resetujte obvod.
	<ul style="list-style-type: none"> Porucha nebo vada napájecího kabelu. Porucha ovladače (PCB). 	<ul style="list-style-type: none"> Odpojte gril od napájení. Vyměňte ovládací panel a ujistěte se, že vodiče nejsou poškozeny a jsou pevně připojeny, zejména napájecí kabel. Pokud jsou vodiče poškozené, vyměňte příslušné díly a znovu je zkontrolujte. Pokud nejsou vodiče poškozené a připojení jsou zkontrolována, kontaktujte zákaznický servis pro další pomoc.
Problémy s GFCI (RCBO/RCD). <ul style="list-style-type: none"> Ovládací konzole není napájena. Gril se spustí, ale ovládací obrazovka zhasne a gril přestane fungovat. Resetovací tlačítko GFCI vyskočí u zásuvky. 	<ul style="list-style-type: none"> Vadná zásuvka GFCI. Vlhkost uvnitř zásuvky. Zásuvka není ve vyhrazeném okruhu. Problémy s jističem. 	<ul style="list-style-type: none"> Odpojte vše ze zásuvky. Stiskněte resetovací tlačítko na zásuvce a ujistěte se, že se testovací tlačítko vrátí do normální polohy. Zapojte a zapněte gril asi na 10 minut, sledujte vypnutí GFCI. Pokud GFCI během 10 minut vypadne, ověřte odběr proudu GFCI (doporučujeme použít 13ampérovou GFCI). Pokud je používána 13ampérová GFCI a stále dochází k vypínání, může být zapotřebí elektrikáře. Pokud GFCI během 10 minut nevypadne a pokud používáte druhý spotřebič na stejné zásuvce, znovu zapojte a zapněte původní druhý spotřebič. Pokud GFCI vypadne se zapnutým druhým zařízením, může jít o problém s druhým spotřebičem. Zapojte jiný spotřebič do stejné zásuvky a spotřebič zapněte. Pokud dojde k vypnutí u jiného spotřebiče, může být zapotřebí elektrikáře. Ze zásuvky vše odpojte.

FONTOS BIZTONSÁGI INFORMÁCIÓK

BIZTONSÁGI SZIMBÓLUMOK

VESZÉLY, FIGYELEM és **VIGYÁZAT** figyelmeztetések hívják fel a figyelmet a használati útmutatóban a kritikus és fontos információkra. Olvassa el ezeket a figyelmeztetéseket a biztonsága és az anyagi kár elkerülése érdekében.

A meghatározásaik alább láthatók.



VIGYÁZAT!

VIGYÁZAT: Olyan veszélyes helyzetet vagy veszélyes szökést jelez, amely könnyű vagy közepes sérülést okozhat, ha nem kerülnek el.



FIGYELEM!

FIGYELEM: Olyan lehetséges veszélyhelyzetet jelez, amelyet, ha nem kerülnek el, az halálos vagy súlyos sérülést okozhat.



VESZÉLY!

VESZÉLY: Olyan bármely pillanatban bekövetkező veszélyhelyzetet jelez, amelyet, ha nem kerülnek el, az halálos vagy súlyos sérülést okozhat.

TELEPÍTŐ/ÖSSZESZERELŐ:

Hagyja a használati útmutatót a bevónél.

VEVŐ:

Őrizze meg a használati útmutatót annak érdekében, hogy később is használni tudja.

Az összeszerelő/tulajdonos felel a grillsütő telepítéséért és karbantartásáért.

Kérdések:

Ha kérdése merülne fel a grillsütő összeszerelése vagy használata során, vegye fel a kapcsolatot a helyi kereskedővel.

KIZÁRÓLAG SZABADTÉRI HASZNÁLATRA

1. Kizárólag szabadtéri használatra.
2. Ne használja beltéri vagy nagyüzemi sütésre.
3. A készüléket csak jól szellőző helyiségben használja.



FIGYELEM!

- Ez a használati útmutató a készülék megfelelő összeszereléséhez és biztonságos használatához szükséges fontos információkat tartalmazza.
- A készülék összeszerelése és használata előtt olvassa el, majd tartsa be az összes figyelmeztetést és utasítást.
- A készülék használata során tartsa be az összes figyelmeztetést és utasítást.
- Őrizze meg a használati útmutatót annak érdekében, hogy később is használni tudja.



VESZÉLY!

- Soha ne működtesse a készüléket felügyelet nélkül.
- Soha ne üzemeltesse ezt a készüléket 3 méter (10 láb) távolságon belül bármilyen építménytől, éghető anyagtól vagy más gázpalacktól.
- Soha ne üzemeltesse ezt a készüléket 7,5 m (25 láb) távolságon belül gyúlékony folyadéktól.
- Tűz esetén tartsa távol magát a készüléktől, és azonnal hívja a tűzoltóságot. Ne próbálja meg vízzel eloltani az olaj- vagy zsírtűzet. Az utasítások be nem tartása tüzet, robbanást vagy égési sérülést okozhat, ami anyagi károkat, személyi sérülést vagy halált okozhat.



FIGYELEM!

1. Ne tároljon vagy használjon benzint vagy más éghető folyadékot ennek vagy más grillsütőnek a közelében.
2. Használatra nem csatlakoztatott gázpalack nem tárolható sem ennek, sem más készüléknek a közelében.



VESZÉLY!

Ha gázzagot érez:

1. Zárja el a készülék gázellátását
2. Oltsa el az esetleges nyitott lángot.
3. Nyissa fel a fedelet.
4. Ha a szag továbbra is érezhető, tartsa magát távol a készüléktől, és azonnal hívja a gázszolgáltatót vagy a tűzoltóságot.



FIGYELEM!

1. Ne tároljon vagy használjon benzint vagy más éghető folyadékot ennek vagy más grillsütőnek a közelében.
2. Használatra nem csatlakoztatott gázpalack nem tárolható sem ennek, sem más készüléknek a közelében.



FIGYELEM!

A készülék biztonságos használatához és a súlyos sérülés elkerüléséhez:

CSAK KÜLTÉRI HASZNÁLATRA SOHA NE HASZNÁLJA BELTÉRBE.

A készülék használata előtt olvassa el az utasításokat.

Mindig kövesse ezeket az utasításokat.

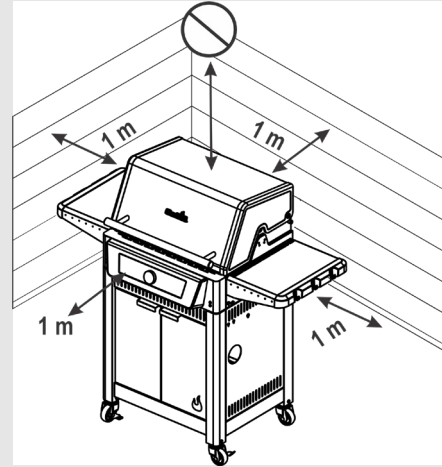
- Használat közben ne mozgassa a készüléket.
- Előfordulhat, hogy a hozzáférhető alkatrészek forróak. Tartsa távol a kisgyerekeket. Ne hagyja, hogy gyermekek a készüléket működtessék vagy a közelében játsszanak.
- Használat után zárja el a gázellátást a palacknál.
- Ezt a készüléket használat közben a gyúlékony anyagoktól távol kell tartani.
- Ne tömítse el a készülék oldalán vagy hátulján lévő lyukakat.
- Rendszeresen ellenőrizze az égők lángját.
- Ne zárja el az égő Venturi-nyílásait.
- A készüléket csak jól szellőző helyiségben használja. **SOHA** ne használja zárt térben, például autobeállóban, garázsban, verandán, fedett teraszon vagy bármilyen felső építmény alatt.
- Ne használjon faszén- vagy kerámiabrikettet a gázkészülékben.

GONDOZÁS & HASZNÁLAT

- **NE** fedje le a rácsokat alumíniumfóliával vagy bármilyen más anyaggal. Ez elzárja az égő szellőzését, és olyan veszélyes állapotot hozhat létre, ami anyagi károkat és/vagy személyi sérüléseket okozhat.
- Ez a grill automatikusan újragyullad lecsukott fedélnél. Nyissa ki a fedelet az első gyújtás előtt.
- A készüléket a faltól vagy a felülettől legalább 1 m távolságban használja. Tartson 3 m távolságot a gyulladást okozó tárgyaktól vagy gyújtóforrásoktól, mint például a vízmelegítők őr lángjai, feszültség alatt álló elektromos készülékek stb. Az el nem égetett gáz tárolása a lecsukott fedelű készülékben veszélyes.
- Mindig zárja el a gázt a palacknál, és húzza ki a szabályozót, mielőtt a gázpalackot elmozdítja az előírt üzemi helyzetéből.
- Soha ne működtesse a készüléket a gázpalackkal, ha az nem az előírt megfelelő helyzetében van.
- Ne módosítsa a készüléket. Minden módosítás szigorúan tilos.
- A zárt rendszerű alkatrészeket a felhasználó nem módosíthatja. Ne szerelje szét a befecskendezőket.



FIGYELEM!



- Mindig zárja el a gázt a palacknál, és húzza ki a szabályozót, mielőtt a gázpalackot elmozdítja az előírt üzemi helyzetéből.
- Soha ne működtesse a készüléket a gázpalackkal, ha az nem az előírt megfelelő helyzetében van.
- Ne módosítsa a készüléket. Minden módosítás szigorúan tilos. A zárt rendszerű alkatrészeket a felhasználó nem módosíthatja. Ne szerelje szét a befecskendezőket.
- Sütés közben ne használja a grillsütőt lecsukott fedéllel.

A gyártó utasításainak figyelmen kívül hagyása súlyos személyi sérüléseket és/vagy anyagi károkat okozhat.

Ne kísérelje meg a tömlő/szelep/szabályozó javítását vagy módosítását semmilyen „feltételezett” hiba miatt. A szerelvény minden módosítása érvényteleníti a garanciát, illetve gázszivárgást és tűzveszélyt okozhat. Csak a gyártó által engedélyezett cserealkatrészeket használjon.

Ne fedje le a rácsokat alumíniumfóliával vagy más anyaggal. Ez elzárja az égő szellőzését, és olyan veszélyes állapotot hozhat létre, ami anyagi károkat és/vagy személyi sérüléseket okozhat.

Az összeszerelés és a sütés megkezdése előtt olvassa el és kövesse az összes biztonsági előírást, összeszerelési utasítást, valamint a használati és gondozási útmutatót.

Egyes alkatrészek éles peremekkel rendelkezhetnek. Védőkesztyű használata ajánlott.

Zsirtüzek

- A zsirtüzeket a fedél lecsukásával nem lehet eloltani. A grillek biztonsági okokból jól szellőznek.
- Ne használjon vizet a zsirtűzre, mert személyi sérülés következhet be. Ha tartós zsirtűz keletkezik, kapcsolja ki a gombokat és zárja el a gázpalackot.
- Ha a készüléket nem tisztították rendszeresen, zsirtűz keletkezik, amely tönkre teheti a terméket. Nagyon figyeljen az előmelegítés vagy az ételmaradékok elégetése közben, nehogy zsirtűz keletkezzen. A zsirtüzek megelőzése érdekében kövesse a készülék általános tisztítására és az égőegység tisztítására vonatkozó utasításokat. A zsirtüzek megelőzésének legjobb módja a készülék rendszeres tisztítása.
- Ne hagyja felügyelet nélkül a grillsütőt előmelegítés közben, illetve ne égesse le az ételmaradékot a MAX fokozaton. Ha a grillt nem tisztítják rendszeresen, zsirtűz keletkezik, amely tönkre teheti a terméket.

GONDOZÁS & HASZNÁLAT

Biztonsági tippek

- A gázpalack szelepeinek kinyitása előtt ellenőrizze a szabályozó tömítettségét.
- Ha a készüléket nem használja, kapcsolja ki a vezérlőt és zárja el a gázt.
- Használjon hosszú nyelű grilleszközöket, hogy elkerülje az égési sérüléseket és a fröccsenéseket. Forró alkatrészek kezelésénél használjon védőkesztyűt.
- Az oldalsó polc maximális terhelhetősége 4,5 kg.
- A zsírcsészét (ha van) be kell helyezni a készülékbe és minden egyes használat után ki kell üríteni. Ne vegye ki a zsírcsészét, amíg a készülék teljesen ki nem hűlt.
- Legyen nagyon óvatos, amikor kinyitja a fedelet, mert forró gőz kicsapódhat.
- Legyen nagyon óvatos, ha gyermekek, idősek vagy háziállatok vannak a közelben.
- Ha azt észleli, hogy a készülékből zsír vagy más forró anyag csöpög a szelepre, a tömlőre vagy a szabályozóra, azonnal zárja el a gázellátást. Határozza meg az okot, javítsa ki, majd a folytatás előtt tisztítsa meg és ellenőrizze a szelepet, a tömlőt és a szabályozót. Hajtson végre szivárgásvizsgálatot.
- Ne tároljon olyan tárgyakat vagy anyagokat a készülékkocsi burkolatában, amelyek akadályoznák az égési levegő áramlását a vezérlőpanel vagy a firebox-tól aljára.
- Nyílt lángtól vagy más gyújtóforrástól 3 m-en belül **NE** csatlakoztassa le vagy cserélje ki a gáztartályt.
- Csökkent fizikai, érzékszervi vagy mentális képességű személyek, illetve tapasztalattal nem rendelkezők csak felügyelet mellett vagy a biztonságos használat elmagyarázása, illetve a veszélyek megértése után használhatják a készüléket.
- A készülékkel a gyerekek nem játszhatnak.
- Felügyelet nélkül a gyermekek a készüléket nem tisztíthatják vagy tarthatják karban.
- Ha a hálózati kábel megsérül, cseréltesse ki a gyártóval, a szervizzel vagy szakemberrel, elkerülve ezzel az áramütés veszélyét.

Hengerelhelyezés

A készülékbe elhelyezett hengerek maximális átmérője 340 mm míg a maximális magassága a felszerelt szabályozóval együtt 400 mm lehet. A nagyobb hengereket az oldalsó polc alá vagy csak a grill mögé szabad elhelyezni. A földön elhelyezett palackokat nem szabad a főzőlap alá helyezni.

Szabályozói követelmények

A készülékhez szabályozót kell használni. Csak a grillsütőhöz mellékelte gázszabályozót használja. Ha a készülék nem rendelkezik szabályozóval, akkor csak az EN16129 szabvány szerint tanúsított (áramlási sebesség max. 1,5 kg/h) és az Ön országában és a műszaki adatokban megadott gázra jóváhagyott szabályozót használjon.

A tömlő követelményei

Csak olyan jóváhagyott tömlőt használjon, amely a megfelelő EN szabvány szerint tanúsított és nem haladja meg az 1,5 m hosszúságot. Finnország esetében a tömlő hossza nem haladhatja meg az 1,2 métert. Minden használat előtt ellenőrizze, hogy a tömlők nincsenek-e elvágva vagy elhasználódva. A tömlő ne legyen megtörve. A készülék használata előtt cserélje ki a sérült tömlőket. Cserélje ki a tömlőt az országos követelményeknek megfelelően.

Begyűjtés

- **NE támaszkodjon a grillre begyűjtés közben.**
- 1. Dugja be a hálózati kábelt.
- 2. Nyissa ki a fedelet begyűjtés vagy újbóli begyűjtés közben.
- 3. Kapcsolja be a gázt az LP palackon.
- 4. A vezérlőegység felkapcsolásához nyomja meg a bekapcsoló gombot.
- 5. Fordítsa el a gombot a kívánt hőmérsékletre.
- 6. Nyomja meg és engedje el a gombot a grill begyűjtéséhez. (Ha csak a grill egyik oldalát szeretné vezérelni, lásd a Grill működtetése című fejezetben található utasításokat.)
- 7. Ha a begyűjtés nem sikerült, törölje a hibakódot a bekapcsológomb lenyomásával és nyomva tartásával a grill kikapcsolásához. Várjon 5 percet, és ismételje meg a begyűjtési eljárást.



FIGYELEM!

- Használaton kívül kapcsolja ki a kezelőszerveket és a gázpalackot.
- Ügyeljen arra, hogy a csatlakoztatott tömlő ne érjen forró felülethez.



VIGYÁZAT!

Ha a begyűjtés nem sikerült, törölje a hibakódot a bekapcsológomb lenyomásával és nyomva tartásával a grill kikapcsolásához. Várjon 5 percet, és ismételje meg a begyűjtési eljárást. Ha az égő nyitott szelep mellett sem gyullad be, a gáz továbbra is kiáramlik az égőből, és véletlenül begyulladhat, ami sérülésveszéllyel járhat.

Szelepek, tömlők és szabályozók szivárgásvizsgálata

Az első használat előtt, évente legalább egyszer, valamint minden alkalommal, amikor a palackot kicserélik vagy leválasztják, végezzen szivárgásvizsgálatot.

1. Kapcsolja ki a készüléket.
2. Győződjön meg róla, hogy a szabályozó szorosan csatlakozik-e a gázpalackhoz.
3. Kapcsolja be a gázt. Ha zúgó hangot hall, azonnal zárja el a gázt. Szivárgás van a csatlakozónál. Javítsa ki, mielőtt folytatná.
4. Ecsettel kenje be a tömlőcsatlakozásokat szappanos oldattal (félíg szappan és félíg víz keveréke).
5. Ha növekvő buborékok jelennek meg, akkor szivárgás van. Azonnal zárja el a gázt a palacknál, és ellenőrizze a csatlakozások tömítettségét. Ha a szivárgás nem állítható meg, ne próbálkozzon a javítással. Szerezzen be cserealkatrészt.
6. A szivárgásvizsgálat elvégzése után mindig zárja el a gázt a palacknál.

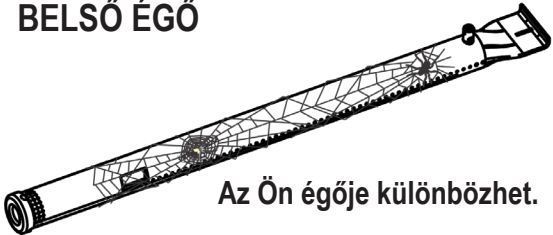
HA A KÉSZÜLÉK NEM GYULLAD BE

- Győződjön meg róla, hogy a gáz be van-e kapcsolva a palackon.
- Győződjön meg róla, hogy van-e gáz a palackban.
- A gyújtó szikrázó hangot ad? A szivárgásvizsgálat során ne dohányozzon.
 1. Ha igen, ellenőrizze, hogy van-e szikra az égőnél.
 2. Ha nincs szikra, ellenőrizze, hogy nincsenek-e sérült vagy laza vezetékek.
- Ha a vezetékek rendben vannak, ellenőrizze, hogy nincs-e repedt vagy törött elektróda. Szükség esetén cserélje ki.
- Ha a vezetéket vagy az elektródákat sütési maradványok borítják, szükség esetén tisztítsa meg az elektróda hegyét alkoholos főlőronggyal.
- Szükség esetén cserélje ki a vezetékeket.
- Ellenőrizze, hogy nem laza-e a vezetékcsatlakozás a vezérlőn.



VIGYÁZAT! PÓKRIADÓ!

PÓKHÁLÓK BELSŐ ÉGŐ



Az Ön égője különbözhet.

- Ha a grill nehezen gyullad be, vagy a láng gyenge, ellenőrizze és tisztítsa meg a Venturi-csőveket és az égőket.
- A pókok vagy apró rovarok ismertek arról, hogy „visszaégési” problémákat okoznak azáltal, hogy fészket építenek és tojásokat raknak a grill Venturi-csőveibe vagy égőjébe, akadályozva a gázáramlást. A visszaáramló gáz meggyulladhat a vezérlőpanel mögött. Ez a visszaégés károsíthatja a grillt és sérülést okozhat. A visszaégések megelőzése és a jó teljesítmény biztosítása érdekében az égőt és a Venturi-csővet el kell távolítani és meg kell tisztítani, ha a grill hosszabb ideig nem üzemel.

Az égőegység tisztítása

Kövesse az alábbi utasításokat az égőegység alkatrészeinek tisztításához és/vagy cseréjéhez, vagy ha a grill meggyújtásával problémák vannak.

1. Zárja el a gázt az LP-palackon.
2. Távolítsa el a sütőrácsokat.
3. Távolítsa el a hordozócsöveket és az égőket rögzítő alkatrészeket.
4. Vegye le az elektródát az égőről.
5. Óvatosan emelje fel és távolítsa el az egyes égőket a szelepnílásokból.

Az égőcsövek tisztítására három módszert javasolunk. Használja az Ön számára legegyszerűbbet.

(A) Hajlítson meg egy merev drótot (egy könnyű ruhafogas jól működik) egy kis kampóvá. A horgot többször bujtassa át az egyes égőcsöveken.



(B) Használjon keskeny, hajlékony nyelvű palackkefét (ne használjon sárgaréz drótkéfét). A kefét többször bujtassa át az egyes égőcsöveken.

(C) **Viseljen védőszemüveget:** Egy légtömítővel juttassa a levegőt az égőcsöbe és az égőnyílásokon kifelé. Ellenőrizze az egyes nyílásokat, hogy minden egyes lyukon kijön-e a levegő.

6. Az égő teljes külső felületét drótkéfével tisztítsa meg az ételmaradékok és a szennyeződések eltávolítása érdekében.
7. Tisztítsa meg az eltömődött nyílásokat egy merev dróttal, például egy nyitott gemkapoccsal.
8. Ellenőrizze az égő normál kopásból és korrózióból eredő sérülését, mivel az egyes furatok kitágulhatnak. Ha nagyobb repedéseket vagy lyukakat talál, cserélje ki az égőt.
9. Csatlakoztassa az elektródát és a lángérzékelőt az égőhöz.

10. Óvatosan helyezze vissza az égőket.
11. Rögzítse az égőket a fireboxon lévő konzolokra.
12. Helyezze vissza a hordozócsöveket, és csatlakoztassa ezeket az égőkhöz. Helyezze vissza a sütőrácsokat.
13. Mielőtt újra grillezne, végezze el a „szivárgásvizsgálatot” és az „égő lángjának ellenőrzését”.

Általános készüléktisztítás

A grill rendszeres tisztítása szükséges, mivel grilltűz keletkezhet, ha a zsír és az ételmaradékok összegyűlnek a grill alján. Minden használat után a Char-Broil Cool-Clean kefével távolítsa el az ételmaradékokat a sütőrácstról és a grill belsejéből. Ezután a Char-Broil rácstisztítót bőségesen permetezze rá a rácusra, hagyja hatni 10 percig, majd nedves ruhával vagy kefével törölje le. A grill tisztítását a grill lehűlése után végezze el.

- Ne tévessze össze a barna vagy fekete zsír- és füstlerakódást a festéssel. A gázgrillek belsejét gyárilag nem festik (és nem is szabad festeni). Alkalmazzon erős mosószer-víz oldatot, vagy használjon készüléktisztítót súrolókefével a készülék fedelének és aljának belsejére. Öblítse le, és hagyja teljesen megszáradni a levegőn. Ne alkalmazzon maró hatású készítmény-/sütőtisztítót a festett felületekhez.
- **Műanyag alkatrészek:** Mossa le meleg szappanos vízzel, és törölje szárazra. A műanyag alkatrészekhez ne használjon súrolószert, zsírolókat vagy készüléktisztító koncentrátumot. Az alkatrészek károsodhatnak és meghibásodhatnak.
- **Porcelánfelületek:** Az üvegszerű összetétel miatt a legtöbb maradékot szódabikarbóna/víz oldattal, üvegtisztítóval vagy Char-Broil rácstisztítóval le lehet törölni. Használjon nem karcoló súrolóport a makacsabb foltok eltávolítására.
- **Festett felületek:** Mossa ki enyhe mosószerrel vagy tisztítószerezrel és meleg szappanos vízzel vagy Char-Broil Grill Cleanerrel. Törölje szárazra egy puha, karcolást nem okozó ruhával.
- **Sütőfelületek:** Grillezés előtt ügyeljen arra, hogy ne maradjanak laza sörték a sütőfelületeken. Amíg a grill forró, a sütőfelületeket csak a Char-Broil Hot-Clean cserélhető fejjel (a Char-Broil Cool-Clean Premium kefével) ajánlott tisztítani.
- **Vezérlőegység:** A vezérlőegység felületét puha, száraz ruhával törölje le.

A CLEAN (tisztító) funkció beállítása

Az Ön grillje innovatív CLEAN (tisztító) funkcióval rendelkezik, amely lehetővé teszi a problémamentes grilltisztítást. A keletkező nagy hő miatt az égőkről az összes ételmaradék leég.

Kövesse az alábbi lépéseket:

- A grillezés befejezése után, amíg a hőmérséklet még mindig be van állítva, nyomja meg és tartsa lenyomva a CLEAN ikont, amíg a CLN nem jelenik meg a vezérlőn.
- Ha a grill kihűlt, a Char-Broil Cool-Clean kefével távolítsa el a maradék szennyeződést és ártalmatlanítsa a hamut.
- Ha extra fényességet szeretne elérni, utolsó lépésként használja a Char-Broil rácstisztítót. Permetezze bőségesen a rácusra, hagyja hatni 10 percig, majd nedves ruhával vagy ecsettel törölje le.

GONDOZÁS & HASZNÁLAT

Biztonsági információk

- A zsírtalcát be kell helyezni a készülékbe és minden egyes használat után ki kell üríteni.
- Ha problémája merülne fel a készülékkel kapcsolatban, lásd a „Hibaelhárítás” fejezetet.

FONTOS ÓVINTÉZKEDÉSEK

Elektromos készülékek használatakor mindig tartsa be az alapvető biztonsági óvintézkedéseket, többek között a következőket:

OLVASSON EL MINDEN UTASÍTÁST.

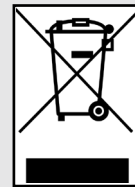
- Ne érjen szabad kézzel a forró felületekhez. Használja a működtető fogantyúkat és gombokat.
- Az áramütés elleni védelem érdekében ne merítse a kábelt, a dugókat, illetve a vezérlőegység bármely részét vízbe vagy más folyadékba.
- Ne hagyja a készüléket felügyelet nélkül.
- Szigorú felügyeletre van szükség, ha a készüléket gyermekek vagy azok közelében használják. Mindig tartsa távol a gyermekeket és a háziállatokat a készüléktől.
- Ez a készülék nem játékszer.
- Bekapcsolt állapotban soha ne hagyja a grillsütőt felügyelet nélkül.
- Ha nincs használatban és mozgatás, valamint tisztítás előtt húzza ki a csatlakozót a konnektorból.
- Alkatrészek be- vagy kiszerezése előtt hagyja lehűlni. Ne működtessen semmilyen készüléket sérült vezetékkel vagy dugóval, vagy miután a készülék meghibásodott vagy bármilyen módon megsérült.
- A készülékgyártó által nem javasolt tartozékok használata sérüléseket okozhat. Csak a gyártó által javasolt tartozékokat használjon.
- Ne engedje lelógni a hálózati kábelt az asztal vagy a pult széléről, illetve ne hagyja, hogy az forró felületekhez érjen!
- Csak rendeltetésszerűen használja a készüléket. A készüléket nem arra tervezték, ezért semmilyen esetben sem használható fűtésként.
- Annak érdekében, hogy megelőzzük a grillsütő lefröcskölődését vagy vízbe esését, ne használja a grillsütőt úgy, hogy medence, tó vagy más vízfelület van 3 méteren belül.
- Tartsa a grillsütőt és az elektromos vezérlőegységet mindig szárazon. Ne tegye ki esőnek.
- Tartsa távol az elektromos csatlakozókat a földtől és tartsa azokat szárazon.
- Ne használjon vizet vagy a más folyadékot a termék tisztításához anélkül, hogy először kihúzná az elektromos vezérlőegységet.

- Ne használjon vagy tároljon benzint, kerozint vagy más éghető folyadékokat az üzemben lévő grillsütőtől 7 méteres távolságon belül. Tartsa a készüléket tisztán és éghető anyagoktól mentesen.
- Használat közben ne mozgassa a készüléket.
- Sütéskor a készüléknek vízszintes, stabil felületen kell állnia egy olyan helyen, ahol nincs a környéken éghető anyag.
- Az alkoholos befolyásoltság, vényköteles vagy a nem vényköteles gyógyszerek használata ronthatja a fogyasztó megfelelő készülékösszeállító vagy biztonságosan üzemeltető képességét.
- A tisztításhoz soha ne merítse vízbe a készüléket.

A biztonsága érdekében - Ha muszáj hosszabbítóvezetékét használni:

- Csak legalább 13 amperre méretezett kültéri vezetékét használjon.
- Használjon minél rövidebb hosszabbítót. Ne kössön össze 2 vagy több hosszabbító vezetékét.
- Tartsa a csatlakozásokat szárazon és a földön.
- Ne hagyja, hogy a kábel lelógjon az asztallap széléről vagy más olyan tárgyról, ahonnan a gyermekek leránthatják vagy beleakadhatnak.

Ezt a terméket ne ártalmatlanítsa a háztartási hulladékkal együtt. Ezt a terméket az elektromos és elektronikus készülékek újrahasznosítására jogosult helyen kell ártalmatlanítani. A hulladék összegyűjtésével és újrahasznosításával segítheti a természeti források megmentését, és gondoskodhat arról, hogy a termék környezetbarát és egészséges módon legyen ártalmatlanítva.



A készülék tárolása

- Tisztítsa le a sütőrácsokat.
- Száraz helyen tárolja.
- Ha a gázpalack a készülékhez van csatlakoztatva, a szabadban, jól szellőző helyen és gyermekek elől elzárva tárolja.
- Fedje le a készüléket, ha kültéren tárolja.
- A készüléket CSAK akkor tárolja beltérben, ha a gázpalackot kikapcsolták és lecsatlakoztatták, eltávolították a készülékről és a szabadban tárolják. Amikor a készüléket tárolás után használni kezdi, ellenőrizze, hogy nincs-e az égő elzáródva.

Az egyszerű beállítás érdekében látogasson el weboldalunkra, és lépjen az Evolve Gas termékoldalára. Az Ön anyanyelvén található Gyors üzembe helyezési útmutató segít a vezérlő kezelésében.

MŰSZAKI ADATOK

MŰSZAKI ADATOK CHAR-BROIL, LLC				
Készüléknev	Gázgrill			
Összes névleges hőbevitel	8,44 KW (614 g/h)			7,62 KW (554 g/h)
Gázkategória	I3+(28-30/37)	I3B/P(30)	I3B/P(50)	
Modellszám	468921224			468922224
Gáztípus	Bután	Propán	Bután, propán vagy a keverékük	Bután, propán vagy a keverékük
Gáznyomás	28-30 mbar	37 mbar	30 mbar	50 mbar
Befecskendező mérete (átm. mm)	Grillezés: 0,72 x 4 db		Grillezés: 0,72 x 4 db	Grillezés: 0,58 x 4 db
Oldalégő befecskendező mérete (átm. mm)	Grillezés: N.a.		Grillezés: N.a.	Grillezés: N.a.
Elektromos adatok	220-240 V, 50 Hz, 5 W			
Célszörzágok	GB, FR, BE, ES, IT, PT, CZ, SK, CH, CY, GR, IE, LT, LU, LV, TR, SI	DK, NO, NL, SE, FI, IS, CZ, IT, SK, BG, CY, EE, HR, HU, LT, LU, LV, MT, RO, SI, BE, GB, FR	AT, CH, DE, LU, SK	

HIBAELHÁRÍTÁS

Probléma	Lehetséges ok	Megelőzés/megoldás
A grill nem éri el a megfelelő hőmérsékletet	Beállítási érték megváltozott	<ul style="list-style-type: none"> Csökkentse a beállított értéket.
	Nyitva hagyott vagy gyakran nyitott fedél	<ul style="list-style-type: none"> A grillfedél nyitva hagyása meghosszabbítja a felfűtési folyamatot, és előfordulhat, hogy a hőmérséklet-érzékelők nem a megfelelő hőmérsékletet jelzik. Sütés közben tartsa lecsukva a fedelet.
	Hibás hőérzékelő	<ul style="list-style-type: none"> Ha a hőmérséklet nem emelkedik, ellenőrizze a vezetékcsatlakozásokat: <ul style="list-style-type: none"> Kapcsolja ki és húzza ki a grillt. Távolítsa el a vezérlőpanelt, és győződjön meg arról, hogy minden vezeték szilárdan csatlakozik-e - Szerelje vissza a vezérlőpanelt, és ugyanezzel a módszerrel értékelje a hőmérsékletszondát. Ha a hőmérséklet továbbra sem emelkedik, akkor a hőmérséklet-érzékelőt ki kell cserélni. Kérjük, hívja az ügyfélszolgálatot.
Az ételszonda hőmérséklete nem jelenik meg a kijelzőn vagy szokatlan értéket mutat	Nem teljesen betekerve/ becsatlakoztatva	<ul style="list-style-type: none"> Nyomja be a szonda dugóját egészen a szonda csatlakozójába.
	Az ételszonda megsérült	<ul style="list-style-type: none"> Csatlakoztassa a szondát egy másik szondacsatlakozóhoz, és figyelje a leolvasott értéket. Ha nincs kijelzés vagy szokatlan érték jelenik meg, cserélje ki az ételszondát. Ha a hőmérséklet-kijelző most aktív és elfogadható értéket mutat, próbálja meg még egyszer az eredeti csatlakozót. Ha a kijelző még mindig rossz, akkor a szonda csatlakozóját ki kell cserélni. Kérjük, hívja az ügyfélszolgálatot.
	Szennyeződés az ételszonda csatlakozójában	<ul style="list-style-type: none"> Szennyeződésre zseblámpával vizsgálja meg a hőmérsékletet nem jelző ételszonda csatlakozóit. Ha szennyeződés van benne, győződjön meg róla, hogy a grill nincs bekapcsolva, majd óvatosan távolítsa el a szennyeződést. Ellenőrizze, hogy az ételszonda csatlakozója tiszta és száraz-e. Helyezze az ételszondát egy szomszédos csatlakozóba, hogy ellenőrizze a leolvasott értéket. Ha a vezérlőn egyik csatlakozónál sem jelenik meg hőmérséklet, akkor az ételszonda megsérült.
	Az ételszonda nincs megfelelően beszúrva az ételbe	<ul style="list-style-type: none"> A szonda hegyét a mérendő étel legvastagabb részébe kell beszúrni. Az ételszonda nem érintkezhet közvetlenül csonttal, mivel az megakadályozza a pontos leolvasást. Az ételszonda nem érintkezhet a sütőrácsokkal.
A termék nem csatlakozik a Bluetooth-hoz	A termék túl messze van a telefontól	<ul style="list-style-type: none"> Hajtsa végre a párosítási folyamatot a telefontól 1,5 méteren belül lévő készülékkel.
	A telefon Bluetooth funkciója ki van kapcsolva vagy a telefon repülőgépes üzemmódban van.	<ul style="list-style-type: none"> A mobilkészülék beállításában győződjön meg arról, hogy a Bluetooth be van-e kapcsolva, és a repülőgépes üzemmód ki van kapcsolva. <ol style="list-style-type: none"> Androidos eszközök esetében győződjön meg arról, hogy a helymeghatározási szolgáltatások be vannak kapcsolva, és hogy az alkalmazásban engedélyezve van a helymeghatározási szolgáltatások használata. Ez lehetővé teszi a Bluetooth használatát az alkalmazásban. iPhone készülékek esetében ellenőrizze, hogy az operációs rendszer beállításában be van-e kapcsolva a Bluetooth az alkalmazásnál.
	A termék már párosítva van egy másik telefonnal	<ul style="list-style-type: none"> Használja a termékhez párosított eredeti mobilkészüléket, vagy törölje a grill kapcsolatait. A grillkapcsolat visszaállítása esetén először távolítsa el a terméket a mobilkészülék Bluetooth-beállításai közül. Alternatív megoldásként kapcsolja ki a bluetooth-t a korábbi mobilkészüléken a párosítási folyamat előtt. A grillkapcsolat törléséhez tartsa lenyomva a vezérlőgombot 10 másodpercig. Egy hangjelzés jelzi, hogy a törlés befejeződött. Most hajtsa végre a készülék Bluetooth-csatlakoztatási folyamatát.
	A termék már párosítva van ugyanahhoz a telefonhoz	<ul style="list-style-type: none"> Kapcsolja ki a terméket, és csukja be az alkalmazást. Kapcsolja vissza a terméket, és nyissa meg újra az alkalmazást. Ha a termék még mindig nem kapcsolódik Bluetooth-on keresztül, távolítsa el a terméket a mobiltelefon operációs rendszerének Bluetooth eszköz beállításai közül. A grillen nyomja meg és tartsa lenyomva a vezérlőgombot, amíg az hangjelzést nem ad, hogy törölje a grill Bluetooth-beállításait és újraindítsa a párosítási folyamatot.

HIBAELHÁRÍTÁS

Probléma	Lehetséges ok	Megelőzés/megoldás
A termék nem csatlakozik a WiFi-hez	Helytelen routerjelszó	<ul style="list-style-type: none"> Ellenőrizze a jelszót, és próbálja meg újra a wifi-csatlakoztatási folyamatot.
	Nincs internet	<ul style="list-style-type: none"> Ellenőrizze az internet-hozzáférést más eszközökön. Ha más eszközön van internet: <ul style="list-style-type: none"> - Húzza ki a grillt 30 másodpercre a konnektorból, majd dugja vissza. Ellenőrizze a csatlakozást. - Húzza ki a routert 30 másodpercre, majd dugja vissza. Ellenőrizze a kapcsolatot. Végezze el újra a WiFi beállítását az alkalmazásban - ha a WiFi hálózat nem jelenik meg a keresési listában, a termék túl messze lehet a routertől.
	A router túl messze van a grilltől	<ul style="list-style-type: none"> Végezze el újra a WiFi beállítását az alkalmazásban - ha a WiFi hálózat nem jelenik meg a keresési listában, a termék túl messze lehet a routertől. Egy mobilkészülékkel ellenőrizze, hogy van-e internet-hozzáférés azon a területen, ahol a grill található.
	Akadályok a router és a grill között	<ul style="list-style-type: none"> Állítsa a grillt olyan helyre, hogy a grill és a router között a lehető legkevesebb fal és tárgy legyen.
	Nincs 2,4 GHz-es wifi	<ul style="list-style-type: none"> A grill csak a 2,4G WiFi hálózatokat támogatja. Másik routerre van szükség.
Vezérlőegység-hiba <ul style="list-style-type: none"> Nincs áram a vezérlőpulton. A grillsütő rendszerben elindul, de a vezérlőképernyő üres és a grillsütő nem működik. 	A készülék nincs bedugva.	<ul style="list-style-type: none"> Ellenőrizze, hogy a kábel megfelelően van-e csatlakoztatva a konnektorhoz. Dugja be a konnektorba, és nézze át újra.
	A tápáramkör biztosítéka kioldott.	<ul style="list-style-type: none"> Ellenőrizze, hogy a GFCI (RCBO/RCD) konnektor vagy megszakító nem oldott-e ki, és állítsa helyre az áramkört.
	<ul style="list-style-type: none"> A tápkábel meghibásodott. Vezérlőegység (PCB) meghibásodott. 	<ul style="list-style-type: none"> Húzza ki a grillsütőt a konnektorból. Távolítsa el a vezérlőpanelt, és győződjön meg arról, hogy a vezetékek, főleg a tápkábel, nem sérültek-e meg, és megfelelően csatlakoznak. Ha a vezetékek sérültek, cserélje ki a megfelelő alkatrészeket, és nézze át újra. Ha a vezetékek nem sérültek, és a csatlakozások jók, további segítségért forduljon az ügyfélszolgálathoz.
GFCI (RCBO/RCD) problémák <ul style="list-style-type: none"> Nincs áram a vezérlőpulton. A grillsütő rendszerben elindul, de a vezérlőképernyő üres és a grillsütő nem működik. A GFCI visszaállító gomb kiugrik a konnektorból. 	<ul style="list-style-type: none"> Hibás GFCI-konnektor. Nedvesség a konnektorban. Nem külön áramkörön lévő konnektor. Megszakító problémák." 	<ul style="list-style-type: none"> Húzzon ki mindent a konnektorból. Nyomja meg a konnektoron lévő alaphelyzetbe állító gombot, és győződjön meg róla, hogy a tesztgomb visszatér-e a normál állásba. Csatlakoztassa és kapcsolja be a grillsütőt körülbelül 10 percre, és figyeljen a GFCI kioldására. Ha a GFCI a 10 perces időszak alatt kioldott, ellenőrizze a GFCI amperfelvételét (13 amperes GFCI-t ajánlunk). Ha 13 amperes GFCI-t használnak, és a kioldás még mindig előfordul, villanyszerelőre lehet szükség. Ha a GFCI a 10 perces időszak alatt nem lépett működésbe, és ha ugyanazon a konnektoron egy második készüléket is használ, csatlakoztassa újra, és kapcsolja be az eredeti második készüléket. Ha a GFCI a második készülék bekapcsolt állapotában kiold, akkor a második készülékkel lehet probléma. Csatlakoztasson egy másik készüléket ugyanahhoz a konnektorhoz, és kapcsolja be a készüléket. Ha a kioldás a többi készülékkel is megtörténik, villanyszerelőre lehet szükség. Húzzon ki mindent a konnektorból.

POMEMBNE VARNOSTNE INFORMACIJE

VARNOSTNI SIMBOLI

Opozorilne besede NEVARNOST, OPOZORILO in PREVIDNO se uporabljajo v tem uporabniškem priročniku za poudarjanje kritičnih in pomembnih informacij. Preberite in upoštevajte ta navodila ter s tem izboljšajte varnost in preprečite nastanek stvarne škode.

Izjave so razložene v nadaljevanju.



POZOR

POZOR: Opozarja na potencialno nevarno situacijo ali nevarno prakso, ki lahko, če je ne preprečite, povzroči lažjo ali srednje težko poškodbo.



OPOZORILO

OPOZORILO: Opozarja na potencialno nevarno situacijo, ki lahko, če je ne preprečite, povzroči težjo poškodbo ali celo smrt.



NEVARNOST

NEVARNOST: Opozarja na nevarno situacijo, ki bo, če je ne preprečite, povzročila težjo poškodbo ali celo smrt.

MONTER/SESTAVLJAVEC:

Ta priročnik izročite uporabniku.

UPORABNIK:

Ta priročnik shranite za morebitne potrebe v prihodnje.

Sestavljaivec oz. lastnik je odgovoren za sestavo, namestitev in vzdrževanje žara.

Vprašanja:

Če boste imeli kakršna koli vprašanja med sestavljanjem ali uporabo naprave, se obrnite na vašega lokalnega prodajalca.

SAMO ZA UPORABO NA PROSTEM

1. Samo za uporabo na prostem.
2. Ne uporabljajte v zaprtih prostorih ali v komercialne namene.
3. Napravo uporabljajte le na dobro prezračenem mestu.



OPOZORILO

- Navodilo za uporabo vsebuje pomembne informacije za pravilno sestavo in varno uporabo naprave.
- Pred sestavljanjem in uporabo aparata preberite in upoštevajte vsa opozorila in navodila.
- Pri uporabi aparata upoštevajte vsa opozorila in navodila.
- Ta priročnik shranite za morebitne potrebe v prihodnje.



NEVARNOST

- Naprave med delovanjem nikoli ne puščajte brez nadzora.
- Naprave nikoli ne uporabljajte manj kot 3 m stran od objektov, vnetljivih snovi ali plinskih jeklenk.
- Naprave nikoli ne uporabljajte manj kot 7,5 m stran od vnetljivih tekočin.
- Če pride do požara, so umaknite od naprave in nemudoma pokličite gasilce. Ne poskušajte pogasiti ognja zaradi gorenja olja ali masti z vodo. Neupoštevanje tega napotka lahko privede do požara, eksplozije ali opeklin in posledično do nastanka gmotne škode, telesnih poškodb in celo smrti.



OPOZORILO

1. V bližini te ali drugih naprav ne hranite bencina ali drugih vnetljivih tekočin.
2. V bližini te ali drugih naprav ne hranite plinske jeklenke, ki ni priključena na napravo.



NEVARNOST

Če zaznate vonj po plinu:

1. Zaprite dovod plina do naprave.
2. Ugasite morebitne odprte plamene.
3. Odprite pokrov.
4. Če še vedno zaznavate vonj po plinu, so umaknite od naprave in nemudoma pokličite vašega dobavitelja plina ali gasilce.



OPOZORILO

1. V bližini te ali drugih naprav ne hranite bencina ali drugih vnetljivih tekočin.
2. V bližini te ali drugih naprav ne hranite plinske jeklenke, ki ni priključena na napravo.



OPOZORILO

Za varno uporabo vaše naprave in za preprečevanje resnih poškodb:

NAPRAVO UPORABLJAJTE SAMO NA PROSTEM. NAPRAVE NIKOLI NE UPORABLJAJTE V ZAPRTIH PROSTORIH.

Pred uporabo naprave preberite navodila.

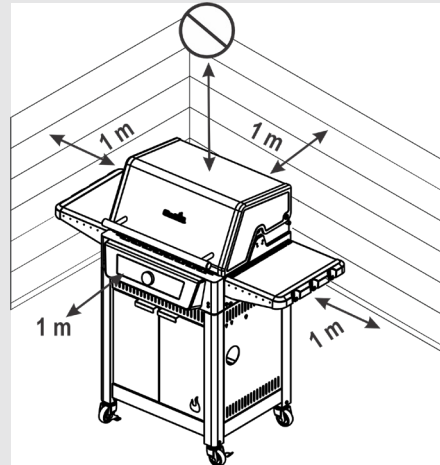
Vedno upoštevajte ta navodila.

- Med uporabo naprave ne premikajte.
- Dostopni deli so lahko zelo vroči. Otroci naj se ne zadržujejo ob napravi. Otroci naj naprave ne upravljajo in naj se ne igrajo v njeni bližini.
- Po uporabi zaprite dovod plina na jeklenki.
- Med uporabo ob napravi ne sme biti vnetljivih snovi.
- Ne zastirajte odprtih na bočnih stranicah in na hrbtni strani naprave.
- Redno preverjajte plamen gorilnika.
- Ne zastirajte venturijevih šob gorilnika.
- Napravo uporabljajte le na dobro prezračenem mestu. Naprave **NIKOLI** ne uporabljajte v zaprtih prostorih, kot so pokrita parkirišča, garaže, verande, pokrita dvorišča ali pod kakršno koli strešno konstrukcijo.
- V plinski napravi ne uporabljajte oglja ali keramičnih briketov.

NEGA IN UPORABA

- **NE** pokrivajte rešetk z aluminijasto folijo ali drugimi materiali. To lahko ovira kroženje zraka pri gorilniku in privede do potencialno nevarnih situacij, ki povzročijo nastanek stvarne škode in/ali telesne poškodbe.
- Ta žar se samodejno znova prižge, ko je pokrov zaprt. Pred prvim vžigom odprite pokrov.
- Napravo uporabljajte najmanj 1 m stran od zidov in drugih površin. Naprava naj bo oddaljena najmanj 3 m od vnetljivih predmetov, kot so pilotni plameni na plinskih grelnikih vode, električne naprave pod napetostjo itd. Nasičenje neizgoretega plina znotraj zaprte naprave je nevarno.
- Preden odstranite jeklenko iz predvidenega položaja za uporabo, vedno zaprite dovod plina na jeklenki in demontirajte regulacijski ventil.
- Nikoli ne uporabljajte naprave, če plinska jeklenka ni na svojem predvidenem mestu.
- Ne spreminjajte naprave. Vsako spreminjanje naprave je strogo prepovedano.
- Zatesnjenih delov uporabnik ne sme manipulirati. Ne razstavlajte injektorjev.

⚠ OPOZORILO



- Preden odstranite jeklenko iz predvidenega položaja za uporabo, vedno zaprite dovod plina na jeklenki in demontirajte regulacijski ventil.
- Nikoli ne uporabljajte naprave, če plinska jeklenka ni na svojem predvidenem mestu.
- Ne spreminjajte naprave. Vsako spreminjanje naprave je strogo prepovedano. Zatesnjenih delov uporabnik ne sme manipulirati. Ne razstavlajte injektorjev.
- Med peko naj bo pokrov žara vedno zaprt.

Če ne upoštevate navodil proizvajalca, lahko pride do težkih telesnih poškodb in/ali nastanka stvarne škode.

Okvarjenih delov (cevi, ventilov, regulatorjev) ne poskušajte popravljati. Vsakršna sprememba tega aparata privede do prenehanja garancije in lahko povzroči nevarnost uhajanja plina in požara. Uporabljajte samo nadomestne dele, ki jih je odobril ali dobavil proizvajalec.

Rešetk ne prekrivajte z aluminijasto folijo ali drugimi materiali. To lahko ovira kroženje zraka pri gorilniku in privede do potencialno nevarnih situacij, ki povzročijo nastanek stvarne škode in/ali telesne poškodbe.

Preberite in upoštevajte vse varnostne napotke, navodila za sestavljanje, uporabo in nego, pred pričnete s sestavljanjem naprave in njeno uporabo.

Nekateri sestavni deli imajo ostre robove. Priporočamo, da nosite zaščitne rokavice.

Gorenje maščob

- Gorenja maščob ni mogoče pogasiti z zapiranjem pokrova. Žar ima dobro prezračevanje iz varnostnih razlogov.
- Če zagorijo maščobe, jih ne poskušajte pogasiti z vodo. Če se razvije trajen ogenj zaradi maščob, zaprite gumb ventilov in ventil plinske jeklenke.
- Če naprave ne čistite redno, se lahko razvije ogenj zaradi gorenja maščob, ki lahko poškoduje napravo. Pri predgretju in pri sežiganju ostankov hrane pazite, da se ne razvije ogenj od zgorevanja maščob. Da preprečite nastanek ognja zaradi gorenja maščob, upoštevajte navodila za splošno čiščenje naprave in čiščenje sistema gorilnikov. Najboljši način za preprečevanje gorenja maščob je redno čiščenje naprave.
- Med predgrevanjem in sežiganjem ostankov hrane na stopnji MAX žara ne puščajte brez nadzora. Če žara ne čistite redno, se lahko razvije ogenj zaradi gorenja maščob, ki lahko poškoduje napravo.

NEGA IN UPORABA

Varnostni nasveti

- Preden odprete ventil plinske jeklenke, preverite, ali regulacijski ventil dobro tesni.
- Ko naprave ne uporabljate, izključite krmilnik in zaprite dovod plina.
- Uporabljajte pribor za žar z dolgimi ročaji, da preprečite opekline zaradi vročine in brizganja vročih kapljic. Pri rokovanju z vročimi deli uporabljajte zaščitne rokavice.
- Najvišja obremenitev stranske police je 4,5 kg.
- Posodo za odcejanje masti (če je prisotna) vstavite v napravo in jo po uporabi izpraznite. Ne odstranite posode za mast, dokler se naprava ni v celoti ohladila.
- Pri odpiranju pokrova bodite zelo previdni, saj lahko uide vroča para.
- Ko so v bližini otroci, starejše osebe ali domače živali, bodite še posebej previdni.
- Če opazite, da na ventil, plinsko cev ali regulacijski ventil kaplja mast ali kaka druga vroča snov, nemudoma zaprite dovod plina. Poiščite vzrok napake, odpravite napako, nato pred nadaljevanjem peke očistite in pregledajte ventil, plinsko cev in regulacijski ventil. Preverite tesnjenje sistema.
- V ohišju naprave ne shranjujte predmetov ali materialov, ki bi lahko ovirali pretok zgorevalnega zraka do spodnje strani upravljalne plošče ali spodnje strani gorilne komore.
- **NE** odklapljajte ali menjajte plinske jeklenke manj kot 3 m stran od odprtega plamena ali drugih virov vžiga.
- Napravo lahko uporabljajo osebe z zmanjšanimi fizičnimi, senzoričnimi ali psihičnimi sposobnostmi ali s pomanjkanjem izkušenj ter znanja, če so pod stalnim nadzorom ali so dobili navodila o varni uporabi naprave ter razumejo možne nevarnosti.
- Otroci se s tem aparatom ne smejo igrati.
- Otroci aparata ne smejo čistiti in vzdrževati brez nadzora.
- Če je napajalni kabel poškodovan, ga mora zaradi preprečevanja tveganja zamenjati proizvajalec, njegov pooblaščen servis ali za to usposobljena oseba.

Postavitev jeklenke

V ohišje naprave lahko vstavite jeklenko premera največ 340 mm in višine največ 400 mm s priključenim regulacijskim ventilom. Večje jeklenke lahko postavite samo pod stransko polico ali prosto ob žaru. Če postavite jeklenko na tla, naj ne stoji pod vročo ploščo.

Zahteve za regulacijski ventil

Ta naprava se mora uporabljati z regulacijskim ventilom. Uporabljajte le napravi priloženi regulacijski ventil. Če napravi ni priložen regulacijski ventil, uporabite regulacijski ventil, ki je certificiran po standardu EN16129 (največji pretok 1,5 kg/h) in odobren za uporabo v vaši državi, ter plin, ki je predpisan v poglavju Tehnični podatki.

Zahteve za plinsko cev

Uporabljajte le odobrene cevi, certificirane po ustreznem standardu EN, največje dolžine 1,5 m. Za Finsko velja omejitev dolžine cevi na 1,2 m. Pred vsako uporabo preverite, ali je cev morda obrabljena ali zarezana. Cev ne sme biti prepognjena. Pred uporabo naprave po potrebi zamenjajte plinsko cev. Plinsko cev zamenjujte v skladu z nacionalnimi predpisi.

Prižiganje gorilnika žara

- **Med prižiganjem gorilnika se ne nagibajte čez žar.**
- 1. Vtaknite vtič napajalnega kabla v vtičnico.
- 2. Med prižiganjem ali ponovnim prižiganjem odprite pokrov.
- 3. Odprite dovod plina na plinski jeklenki.
- 4. Za vklop krmilnika pritisnite gumb za vklop.
- 5. Zavrtite gumb na zeleno temperaturo.
- 6. Da prižgete gorilnik žara, pritisnite gumb in ga spustite. (Za upravljanje samo ene strani žara glejte navodila v razdelku Uporaba žara.)
- 7. Če prižiganje ni bilo uspešno, pritisnite in zadržite gumb za vklop/izklop in izključite žar. Počakajte 5 minut in poskusite znova.



OPOZORILO

- Ko naprave ne uporabljate, zavrtite upravljalne gumbe v izključeni položaj in zaprite ventil jeklenke za plin.
- Pri polaganju cevi pazite, da se ne bo dotikala vročih površin.



POZOR

Če prižiganje ni bilo uspešno, pritisnite in zadržite gumb za vklop/izklop in izključite žar. Počakajte 5 minut in poskusite znova. Če pri odprtem ventilu plin ne gori, bo plin prosto iztekel iz gorilnika in se lahko nepričakovano vžge, kar lahko povzroči poškodbe.

Preverjanje tesnosti ventilov, cevi in regulacijskega ventila

Pred prvo uporabo, najmanj enkrat na leto in vsakič, ko odklopite ali zamenjate plinsko jeklenko, preverite tesnjenje naprave.

1. Izključite napravo.
2. Preverite, ali je regulacijski ventil trdno privit na jeklenko.
3. Odprite ventil na jeklenki. Če zaslišite zvok uhajanja plina, takoj zaprite ventil jeklenke. Ta zvok pomeni veliko uhajanje plina na povezavi. Pred nadaljevanjem odpravite netesnosti.
4. Na cevne povezave s čopičem nanesite milnico (v razmerju pol čistila in pol vode).
5. Če se pričnejo tvoriti mehurčki, to pomeni, da plin pušča. Takoj zaprite ventil plinske jeklenke in preverite tesnjenje povezav. Če uhajanja ne morete odpraviti, prekinite popravilo. Naročite nadomestne dele.
6. Po izvedbi preskusa tesnjenja vedno zaprite ventil plinske jeklenke.

ČE GORILNIKOV NAPRAVE NI MOGOČE PRIŽGATI

- Preverite, ali je ventil plinske jeklenke odprt.
- Preverite, ali je v jeklenki dovolj plina.
- Ali slišite iskenje vžigalnika? Med preverjanjem uhajanja plina ne kadite.
 1. Če slišite, preverite, ali iskra pravilno preskoči.
 2. Če ne slišite zvoka, preverite, ali so žice pravilno povezane in nepoškodovane.
- Če je ožičenje v redu, preverite, ali je elektroda poškodovana, po potrebi jo zamenjajte.
- Če so žice ali elektrode onesnažene z ostanki hrane, očistite žice in konico elektrode z alkoholnimi krpami.
- Po potrebi zamenjajte žice.
- Preverite kabelske povezave na krmilniku.



POZOR

PAJKI!

PAJKI IN PAJČEVINA V GORILNIKIH V NOTRANJOSTI GORILNIKA



Vaš gorilnik se lahko razlikuje od prikazanega.

- Če je vaš žar težko prižgati ali pa je plamen šibek, preverite in očistite venturijeve šobe in gorilnike.
- Pajki in majhne žuželke lahko s svojimi gnezdi in jajčeci v venturijevih šobah in ceveh gorilnikov povzročajo težave z izgorevanjem, saj je pretok plina oviran. Zaostali plin se lahko vžge za upravljalno ploščo. Ta povratni vžig lahko poškoduje vaš žar in povzroči telesne poškodbe. Da preprečite povratno zgorevanje in zagotovite dobro delovanje, demontirajte gorilnike in venturijeve šobe ter jih očistite, če žara dalj časa niste uporabljali.

Čiščenje sestava gorilnikov

Za čiščenje in/ali menjavo delov ali če imate kakršne koli težave z vžiganjem žara upoštevajte naslednja navodila.

1. Izključite dovod plina z ventilom na plinski jeklenki.
2. Odstranite rešetke za peko.
3. Odstranite prenosne cevi in pritrdilne elemente gorilnikov.
4. Demontirajte elektrodo z gorilnika.
5. Previdno privzdignite vsak gorilnik in ga povlecite stran od odprtih ventilov.

Za čiščenje cevi gorilnikov vam predlagamo tri načine. Uporabite način, ki se vam zdi najlažji.

(A) Upognite togo žico (primerna je žica kovinskih obešalnikov) in na koncu naredite kljukico. Nekajkrat povlecite kljukico skozi vsako cev gorilnika.



(B) Uporabite ozko ščetko za steklenice z upogljivim ročajem (ne uporabljajte medeninaste krtače). Nekajkrat povlecite ščetko skozi vsako cev gorilnika.

(C) **Nosite zaščitna očala:** Za čiščenje lahko uporabite stisnjen zrak, ki ga vpihujete v cev gorilnika, tako da izstopa skozi luknjice gorilnika. Preverite vse luknjice in se prepričajte, da so odmašene.

6. S ščetko očistite zunanje površine gorilnika in odstranite vse ostanke hrane in umazanije.
7. Očistite vse zamašene luknjice s trdo žico, kot je na primer sponka za papir.

8. Preverite, ali so gorilniki poškodovani zaradi običajne obrabe ali korozije. Nekatere luknjice so se morda povečale. Če opazite razpoke ali luknje, gorilnik zamenjajte.
9. Na gorilnik pritrdite elektrodo in senzor plamena.
10. Previdno vstavite gorilnike.
11. Pritrdite gorilnike na nosilce na gorilni komori.
12. Znova namestite prenosne cevi in jih pritrdite na gorilnike. Znova vstavite rešetke za peko.
13. Pred ponovno uporabo žara izvedite »preizkus tesnjenja« in »preverjanje plamena gorilnikov«.

Splošno o čiščenju naprave

Ta žar redno čistite, saj lahko v nasprotnem zagori maščoba ali ostanke hrane na dnu gorilne komore žara. Po vsaki uporabi odstranite ostanke hrane z rešetke za peko in notranjosti žara s ščetko Cool-Clean proizvajalca Char-Broil. Nato na rešetke napršite dobro mero čistila v spreju Char-Broil Grate Cleaner, počakajte 10 minut, da čistilo zmehča zapečeno hrano, nato pa z mokro krpo ali ščetko odstranite umazanijo. Žar čistite šele, ko se v celoti ohladi.

- Ne zamenjajte rjave ali črne umazanije zaradi maščob ali dima z barvo. Notranjost plinskih žarov nikoli ni tovarniško obarvana (in je ni dovoljeno barvati). Za čiščenje notranjosti žara in pokrova uporabite močno raztopino čistila in vode ali uporabite čistilo za kuhinjske aparate s strgalno gobico. Po čiščenju vse površine sperite in počakajte, da se naprava posuši. Na barvanih površinah ne uporabljajte bazičnih čistil za kuhinjske naprave in pečice.
- **Plastični deli:** Plastične dele operite v topli vodi z dodanim detergentom in jih obrišite do suhega. Za čiščenje plastičnih delov ne uporabljajte abrazivnih čistil, odstranjevalcev maščob ali koncentriranih čistil za kuhinjske aparate. Lahko pride do poškodb in okvar delov.
- **Keramične površine:** Zaradi steklaste strukture je mogoče večino ostankov odstraniti z brisanjem z raztopino kuhinjske sode in vode, s čistili za steklo ali s čistilom Char-Broil Grate Cleaner. Za trdovratne madeže uporabite neabrazivni pralni prašek.
- **Barvane površine:** Očistite z nežnim detergentom ali čistilom in toplo milnico ali s čistilom Char-Broil Grate Cleaner. Obrišite do suhega z mehko, neabrazivno krpo.
- **Kuhalne površine:** Pred uporabo žara se prepričajte, da po čiščenju na površinah ni ostankov ščetin. Ko je žar še vroč, je priporočeno čistiti kuhalne površine samo z nadomestno glavo Char-Broil Hot-Clean (na ščetki Char-Broil Cool-Clean Premium Brush).
- Za čiščenje upravljalne plošče krmilnika uporabljajte mehko, suho krpo.

Nastavitev za čiščenje (CLEAN)

Vaš žar je opremljen z inovativno nastavitvijo za čiščenje (CLEAN), ki omogoča čiščenje žara brez napora. V žaru se ustvari visoka temperatura, gorilniki delujejo s polno močjo in vsi ostanke hrane zgorijo v pepel. Sledite spodnjim korakom:

- Ko končate s peko in je temperatura še nastavljena, pritisnite in zadržite ikono CLEAN, dokler se na krmilniku ne prikaže napis CLN.
- Ko se žar ohladi, uporabite ščetko Char-Broil Cool-Clean in odstranite vse ostanke ter zavržite pepel.
- Za najboljši rezultat čiščenja lahko kot zadnji korak uporabite čistilo Char-Broil Grate Cleaner. Na rešetke napršite dobro mero čistila v spreju, počakajte 10 minut, nato pa z mokro krpo ali ščetko odstranite umazanijo.

NEGA IN UPORABA

Za vašo varnost

- Posodo za odcejanje masti vstavite v napravo in jo po vsaki uporabi izpraznite.
- Če imate kakršne koli težave z napravo, si preberite razdelek »Odpravljanje napak«.

POMEMBNA VARNOSTNA NAVODILA

Pri uporabi električnih naprav vedno upoštevajte osnovne varnostne ukrepe, vključno z naslednjimi:

PREBERITE CELOTNA NAVODILA

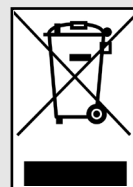
- Ne dotikajte se vročih površin z nezaščitnimi dlanmi. Za upravljanje uporabljajte ročice in gumbce.
- Da se zaščitite pred električnim udarom, ne potaplajte kabla, vtiča ali krmilnika v vodo ali kakršno koli drugo tekočino.
- Naprave ne puščajte brez nadzora.
- Bodite posebej previdni, če napravo uporabljajo otroci oziroma jo uporabljate v njihovi bližini. Otroci in domače živali se nikoli ne smejo zadrževati ob napravi.
- Ta naprava ni igrača.
- Naprave nikoli ne puščajte brez nadzora, ko je **vkjučena**.
- Ko naprave ne uporabljate in pred premikanjem ali čiščenjem naprave izvlecite vtič iz vtičnice.
- Pred sestavljanjem ali razstavljanjem počakajte, da se naprava ohladi. Če je kabel ali vtičnik poškodovan ali če aparat ne deluje pravilno ali je poškodovan, aparata ne uporabljajte.
- Uporaba pribora, ki ga ne priporoča proizvajalec naprave, lahko povzroči telesne poškodbe ali poškodbe na napravi. Uporabljajte samo pribor, ki ga priporoča proizvajalec.
- Električnega kabla ne polagajte čez ostre robove mize ali kuhinjskih elementov. Električni kabel ne sme biti v stiku z vročimi površinami.
- Napravo vedno uporabljajte le v predviden namen. Ta naprava ni namenjena za ogrevanje in se v ta namen ne sme uporabljati.
- Da preprečite škropljenje po napravi ali padec naprave v vodo, naprave ne uporabljajte manj kot 3 m stran od bazena, jezera ali drugega vodotoka.
- Naprave in električnega krmilnika ne puščajte na dežju in ju hranite na suhem.
- Električni vtičnik naj ne leži na tleh, ampak ga hranite na suhem.
- Pred čiščenjem naprave z vodo in drugimi tekočinami najprej odklopite električni krmilnik.

- Ko uporabljate napravo, ne uporabljajte ali shranjujte vnetljivih tekočin, kot sta bencin ali kerozin, bližje kot 7 metrov od naprave. Okolico naprave ohranajte v čistem stanju in brez vnetljivih snovi.
- Med uporabo naprave ne premikajte.
- Med uporabo mora naprava stati na ravni, trdni površini v okolju brez prisotnosti vnetljivih snovi.
- Uživanje alkohola in zdravil na recept ali brez recepta lahko negativno vpliva na sposobnosti uporabnika za pravilno sestavljanje in varno uporabo naprave.
- Naprave za čiščenje ne potaplajte v vodo

Za vašo varnost - če morate uporabiti kabelski podaljšek:

- Uporabljajte samo kable, primerne za uporabo na prostem, z nazivnim tokom 13 A ali višjim.
- Uporabite čim krajši kabelski podaljšek. Ne priključujte dveh kabelskih podaljškov enega za drugim.
- Povezave morajo biti suhe in ne smejo ležati na tleh.
- Kabel ne sme viseti z mize ali drugih predmetov, kjer bi jih lahko dosegli otroci in jih potegnili.

Tega izdelka ni dovoljeno odstranjevati skupaj z gospodinjskimi odpadki. Ta izdelek je treba zavreči pri pristojnem centru za zbiranje odpadne električne in elektronske opreme. Z zbiranjem in recikliranjem odpadkov pomagajte pri varčevanju z naravnimi viri in zagotovite, da bo izdelek odstranjen na okolju prijazen način.



Shranjevanje naprave

- Očistite rešetke za peko.
- Hranite na suhem mestu.
- Ko je na napravo priključena plinska jeklenka, jo hranite zunaj na dobro prezračenem mestu in izven dosega otrok.
- Če napravo hranite zunaj, jo prekrijte.
- Napravo lahko hranite v zaprtih prostorih LE, če je ventil plinske jeklenke zaprt in je jeklenka odklopljena od naprave in shranjena na prostem. Ko napravo vzamete iz shrambe, preverite, ali so v gorilnikih tujki.

Za preprosto nastavitve obiščite naše spletno mesto in se pomaknite na stran izdelka za Evolve Gas. V vašem maternem jeziku boste našli vodnik za hitri začetek, ki vam bo v pomoč pri upravljanju krmilnika.

TEHNIČNI PODATKI

TEHNIČNI PODATKI CHAR-BROIL, LLC				
Naziv naprave	Plinski žar			
Skupna nazivna toplotna moč	8,44 kW (614 g/h)		7,62 kW (554 g/h)	
Kategorija plina	I3+(28-30/37)	I3B/P(30)	I3B/P(50)	
Št. modela	468921224		468922224	
Vrsta plina	Butan	Propan	Butan, propan in njune zmesi	Butan, propan in njune zmesi
Tlak plina	28–30 mbar	37 mbar	30 mbar	50 mbar
Premer injektorja (v mm)	Žar: 0,72 x 4 kosi		Žar: 0,72 x 4 kosi	Žar: 0,58 x 4 kosi
Premer injektorja stranskega gorilnika (v mm)	Žar: N/P		Žar: N/P	Žar: N/P
Električno napajanje	220–240V, 50 Hz, 5W			
Namembne države	GB, FR, BE, ES, IT, PT, CZ, SK, CH, CY, GR, IE, LT, LU, LV, TR, SI	DK, NO, NL, SE, FI, IS, CZ, IT, SK, BG, CY, EE, HR, HU, LT, LU, LV, MT, RO, SI, BE, GB, FR	AT, CH, DE, LU, SK	

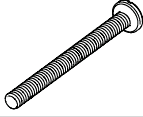
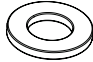

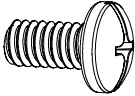
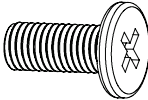
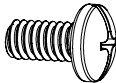
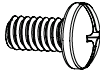

ODPRAVLJANJE TEŽAV

Težava	Možen vzrok	Odprava napake/rešitev
Žar se ne segreje dovolj	Spremenjena nastavitvev temperature	<ul style="list-style-type: none"> Preverite, ali je bila nastavljena temperatura spremenjena.
	Pokrov je bil ves čas odprt ali pa je bil odprt pogosto	<ul style="list-style-type: none"> Če pustite pokrov žara odprt, bo čas segrevanja daljši, tipala pa morda ne bodo zaznavala pravilne temperature. Med peko naj bo pokrov žara vedno zaprt.
	Okvara temperaturnega tipala	<ul style="list-style-type: none"> Če ni zaznati porasta temperature, preverite ožičenje: <ul style="list-style-type: none"> Žar izklopite in ga izključite iz električnega omrežja. Odstranite upravljalno ploščo in preverite, ali so kabli pravilno priključeni. Znova sestavite upravljalno ploščo in na enak način preverite temperaturno tipalo. Če porasta temperature še vedno ni zaznati, bo morda treba zamenjati temperaturno tipalo. Za pomoč lahko pokličete oddelek za podporo strankam.
Tipalo temperature mesa ni prikazano ali kaže nesmiselno vrednost	Tipalo ni pravilno priključeno/vtaknjeno	<ul style="list-style-type: none"> Pritisnite vtič tipala do konca v vtičnico.
	Tipalo temperature za meso je poškodovano	<ul style="list-style-type: none"> Priključite tipalo v drugo vtičnico in odčitajte vrednost. Če tipalo ni prikazano ali če je prikazana vrednost nesmiselna, zamenjajte temperaturno tipalo za meso. Če je prikaz temperature zdaj aktiven in kaže smiselno vrednost, znova uporabite prejšnjo vtičnico. Če prikaz še vedno ni pravilen, je morda treba zamenjati vtič ali vtičnico tipala. Za pomoč lahko pokličete oddelek za podporo strankam.
	V vtičnico tipala je vdrla umazanija	<ul style="list-style-type: none"> Z ročno svetilko preverite vtič in vtičnico temperaturnega tipala za meso glede prisotnosti nečistoč. Če odkrijete nečistoče, izključite žar in skrbno očistite. Nato preverite, ali sta vtič in vtičnica temperaturnega tipala za meso čista in suha. Da preverite, ali tipalo pravilno deluje, ga vtaknite v sosednjo vtičnico. Če se temperatura ne prikaže s priklopom tipala v nobeno vtičnico, je tipalo za temperaturo mesa poškodovano.
	Temperaturno tipalo za meso ni pravilno vstavljeno v meso	<ul style="list-style-type: none"> Konica tipala mora biti vtaknjena v najdebelejši del kosa mesa. Temperaturno tipalo ne sme biti v stiku s kostjo, saj tako odčitek ne bo pravilen. Temperaturno tipalo za meso ne sme biti v stiku z rešetkami žara.
Izdelek se ne poveže preko povezave Bluetooth	Razdalja med izdelkom in telefonom je prevelika	<ul style="list-style-type: none"> Izvedite postopek seznanjanja z napravo na razdalji približno 1,5 m (5 ft).
	Telefon ima izključeno funkcijo Bluetooth ali pa je v načinu za letalo	<ul style="list-style-type: none"> V nastavitvah vaše prenosne naprave preverite, ali je funkcija Bluetooth vključena in ali je način za letalo onemogočen. <ol style="list-style-type: none"> Pri napravah Android preverite, ali so lokacijske storitve vključene in ali naprava sme uporabljati lokacijske storitve. S tem omogočite uporabo povezave Bluetooth v aplikaciji. Pri napravah iPhone preverite, ali je v nastavitvah operacijskega sistema funkcija Bluetooth omogočena za aplikacijo.
	Izdelek je že seznanjen z drugim telefonom	<ul style="list-style-type: none"> Uporabite izvorno prenosno napravo, seznanjeno z izdelkom, ali ponastavite povezave žara. Če ponastavite povezave žara, najprej odstranite izdelek iz nastavitve funkcije Bluetooth mobilne naprave. Alternativno lahko med postopkom novega seznanjanja izključite funkcijo Bluetooth na poprej seznanjeni napravi. Za ponastavitev povezav žara pritisnite krmilni gumb in ga zadržite za 10 sekund. Ko je ponastavitev končana, se zasliši zvočni signal. Zdaj na napravi izvedite postopek seznanjanja Bluetooth.
	Izdelek je že seznanjen s tem telefonom	<ul style="list-style-type: none"> Izklopite izdelek in zaprite aplikacijo. Znova vključite izdelek in odprite aplikacijo. Če povezava Bluetooth z izdelkom še vedno ni vzpostavljena, v nastavitvah operacijskega sistema odstranite izdelek iz seznanjenih povezav naprav Bluetooth. Pritisnite in zadržite upravljalni gumb na žaru, dokler ne zapiska, da ponastavite nastavitve Bluetooth in znova zaženete postopek seznanjanja.

ODPRAVLJANJE TEŽAV

Težava	Možen vzrok	Odprava napake/rešitev
Izdelek se ne poveže preko povezave WiFi	Nepravilno geslo usmerjevalnika	<ul style="list-style-type: none"> Preverite geslo in znova poskusite vzpostaviti povezavo.
	Ni povezave z internetom	<ul style="list-style-type: none"> Z drugo napravo preverite, ali je dostop do interneta zagotovljen. Če se lahko z drugimi napravami povežete z internetom, za 30 sekund izključite žar in ga znova vključite. Preverite povezavo. - Za 30 sekund izključite usmerjevalnik in ga znova vključite. Preverite povezavo. V aplikaciji znova izvedite nastavev povezave WiFi. Če omrežje WiFi med iskanjem ni prikazano, je izdelek morda predaleč stran od usmerjevalnika.
	Razdalja med žarom in usmerjevalnikom je prevelika	<ul style="list-style-type: none"> V aplikaciji znova izvedite nastavev povezave WiFi. Če omrežje WiFi med iskanjem ni prikazano, je izdelek morda predaleč stran od usmerjevalnika. Na mestu postavitve žara z mobilno napravo preverite, ali imate dostop do interneta.
	Ovire med usmerjevalnikom in žarom	<ul style="list-style-type: none"> Žar postavite tako, da bo ovir (zidov in drugih predmetov) med žarom in usmerjevalnikom čim manj.
	Ni omrežja WiFi 2,4 GHz	<ul style="list-style-type: none"> Žar podpira samo omrežja WiFi s frekvenco 2,4 GHz. Potreben bo drugačen usmerjevalnik.
Odpoved krmilnika <ul style="list-style-type: none"> Ni električnega napajanja upravljalne plošče. Žar se vključi, krmilni zaslon pa ugasne, žar preneha delovati. 	Naprava ni priključena na električno napajanje.	<ul style="list-style-type: none"> Preverite, ali je vtič pravilno vtaknjen v vtičnico. Vtaknite vtič v vtičnico in preverite delovanje.
	Sprožila se je varovalka napajalnega tokokroga.	<ul style="list-style-type: none"> Preverite, ali se je sprožilo varnostno stikalo GFCI (RCBO/RCD) in ga znova vključite.
	<ul style="list-style-type: none"> Napaka ali motnja električnega kabla. Okvara krmilnika (PCB) 	<ul style="list-style-type: none"> Odklopite električno napajanje žara. Odstranite krmilno ploščo in preverite, ali so kablji nepoškodovani in trdno priključeni, zlasti napajalni kabel. Če so žice poškodovane, zamenjajte ustrezne komponente in preverite delovanje. Če žice niso poškodovane in so priključki v dobrem stanju, se za nadaljnjo pomoč obrnite na oddelek za podporo strankam.
Motnje zaščitne vtičnice GFCI (RCBO/RCD) <ul style="list-style-type: none"> Ni električnega napajanja upravljalne plošče. Žar se vključi, krmilni zaslon pa ugasne, žar preneha delovati. Na vtičnici je tipka GFCI izskočila. 	<ul style="list-style-type: none"> Okvara vtičnice GFCI. Vlaga v notranjosti vtičnice. Vtičnica ni na ločenem električnem tokokrogu. Motnje omrežnega odklopnika. 	<ul style="list-style-type: none"> Iz vtičnic odklopite vse naprave. Pritisnite rdečo tipko na vtičnici in preverite, ali se vrne v običajni položaj. Vtaknite vtič v vtičnico in vključite žar za približno 10 minut in glejte, ali se omrežni odklopnik sproži. Če se omrežni odklopnik sproži v 10 minutah, preverite porabo toka na omrežnem odklopniku (priporočamo uporabo 13-amperskega omrežnega odklopnika). Če je uporabljena 13-amperska vtičnica in še vedno prihaja do izpadanja, se posvetujte z električarjem. Če zaščitna vtičnica ne izpade v 10 minutah in če je vanjo hkrati priključena še druga naprava, priključite in vključite drugo napravo. Če zaščitna vtičnica izpade pri priključeni in delujoči drugi napravi, je morda težava v drugi napravi. Priključite tretjo napravo v isto vtičnico in jo vključite. Če tudi s tretjo napravo pride do izpada, se posvetujte z električarjem. Iz vtičnic odklopite vse naprave.

HARDWARE LIST

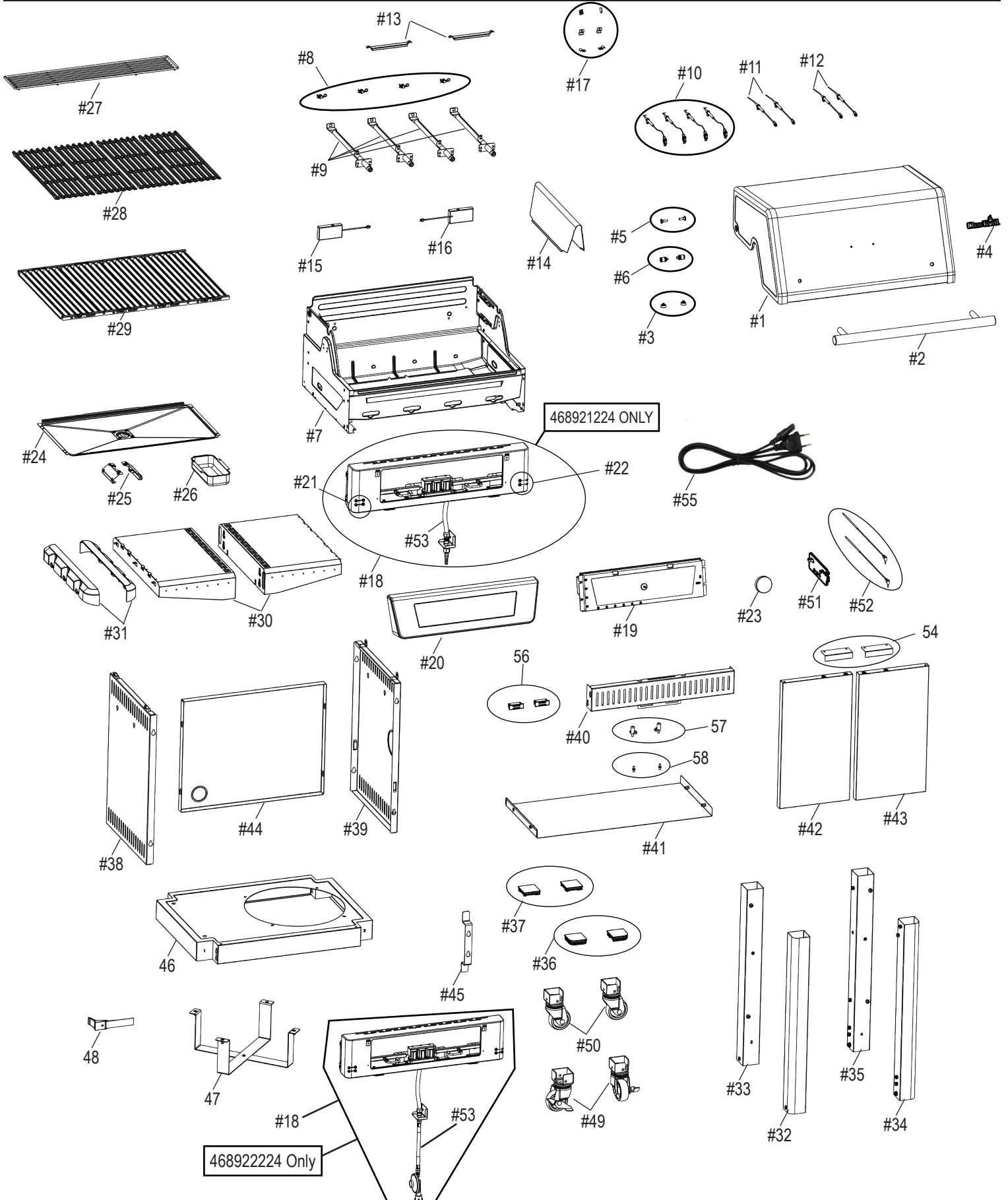
KEY	DESCRIPTION	IMAGE	QTY
A	Screw, Machine, 1/4"-20 x 2 3/4"		4
B	Aluminum Washer		4
C	1/4-20 Flange Nut		5
D	Screw, Machine, Combo Pan Head #1/4-20 x 1/2"		13
E	Screw, Machine, Flat Head #10-24 X 1/2"		4
F	Screw, Machine, Combo Pan Head #10-24 X 1/2"		4
G	Screw, Machine, Combo Pan Head #8-32 X 1/2"		1
H	Cable Clip		1

REPLACEMENT PARTS LIST

Key	Qty.	Description
1	1	TOP LID
2	1	HANDLE F/ LID
3	2	TOP LID RUBBER BUMPER
4	1	LOGO PLATE F/ LID
5	1	TOP LID HARDWARE
6	2	LID STOP, FIREBOX
7	1	FIREBOX
8	4	BURNER BRACE
9	4	MAIN BURNER
10	4	ELECTRODE, F/ MAIN BURNER
11	2	FLAME SENSOR (WHITE)
12	2	FLAME SENSOR (RED)
13	2	FLAME CARRY OVER TUBE
14	1	FIREBOX DIVIDER
15	1	TEMPERATURE SENSOR (WHITE)
16	1	TEMPERATURE SENSOR (RED)
17	6	WIRE CLIP
18	1	CONTROL PANEL, W/ VALVE ASSEMBLY
19	1	CONTROL MODULE
20	1	CONTROL MODULE PANEL
21	1	PROBE JACK, SET OF 2 (WHITE)
22	1	PROBE JACK, SET OF 2 (RED)
23	1	CONTROL KNOB
24	1	GREASE TRAY
25	2	GREASE TRAY BRACKET
26	1	GREASE PAN
27	1	WARMING RACK
28	4	COOKING GRATE
29	4	EMITTER, F/ COOKING GRATE
30	2	SIDE SHELF
31	2	END CAP, F/ SIDE SHELF
32	1	LEFT FRONT LEG (#1)
33	1	LEFT REAR LEG (#2)

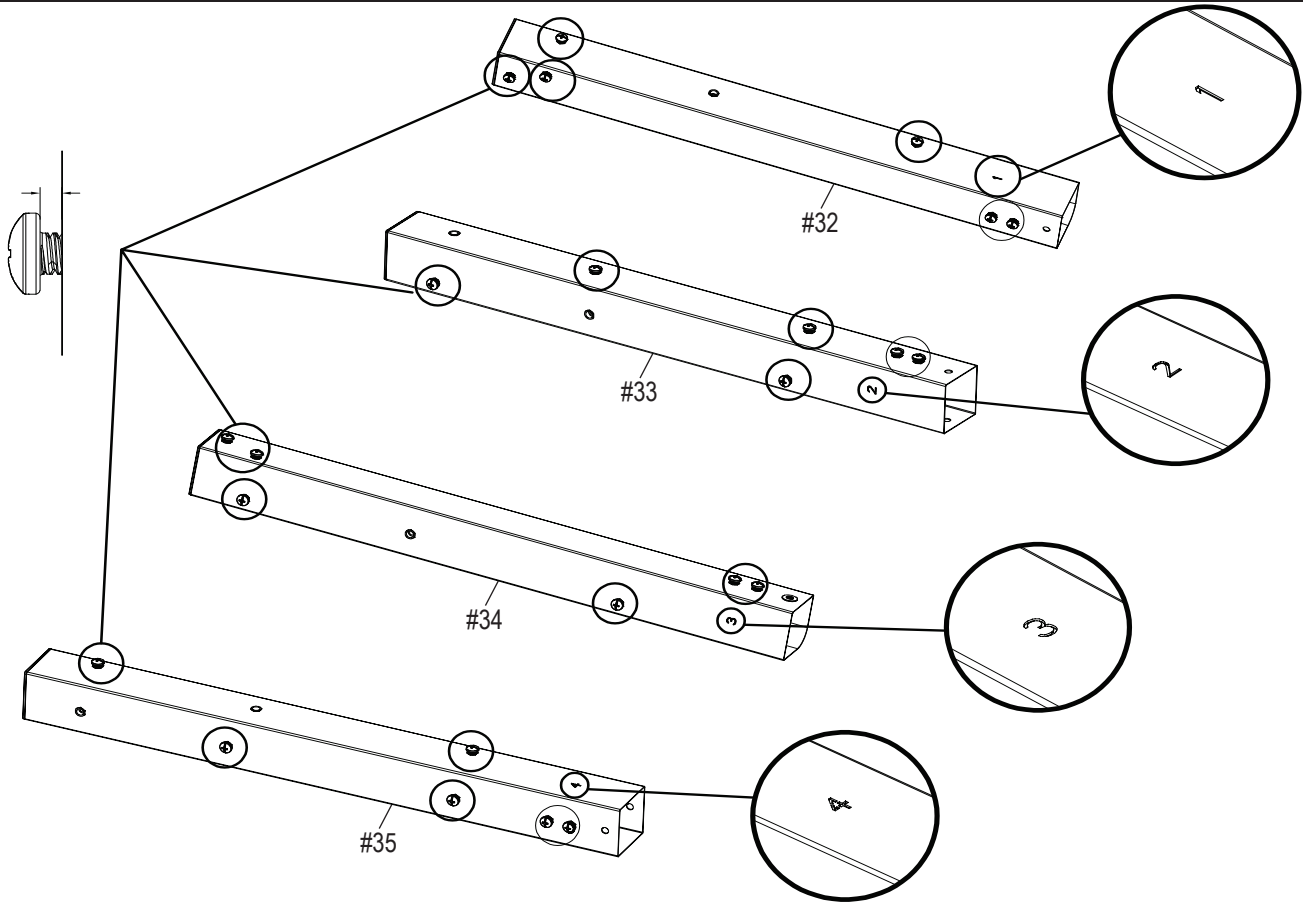
Key	Qty.	Description
34	1	RIGHT FRONT LEG (#3)
35	1	RIGHT REAR LEG (#4)
36	2	LEG CAP, FRONT
37	2	LEG CAP, REAR
38	1	LEFT CART PANEL
39	1	RIGHT CART PANEL
40	1	FRONT DOOR BRACE
41	1	HEAT SHIELD, F/ TANK
42	1	LEFT DOOR, NO HANDLE
43	1	RIGHT DOOR, NO HANDLE
44	1	REAR CART PANEL
45	1	CORD WRAP
46	1	BOTTOM SHELF
47	2	TANK SUPPORT BAR
48	1	TANK STRAP
49	2	CASTER, LOCKING
50	2	CASTER, NON-LOCKING
51	1	OUTSIDE MEAT PROBE HOLDER
52	2	MEAT PROBE
53	1	HOSE/ BRACKET FITTING ONLY
54	2	DOOR HANDLE
55	1	POWER CORD REPLACEMENT
56	2	MAGNET ASSEMBLY
57	2	SPRING PIN, F/ DOOR
58	2	FIXED PIN, F/ DOOR
NOT Shown		
...	1	PRODUCT GUIDE
...	1	HARDWARE PACK
...	1	CLEANING TOOL
...	1	CART/SHELF HARDWARE REPLACEMENT

REPLACEMENT PARTS DIAGRAM

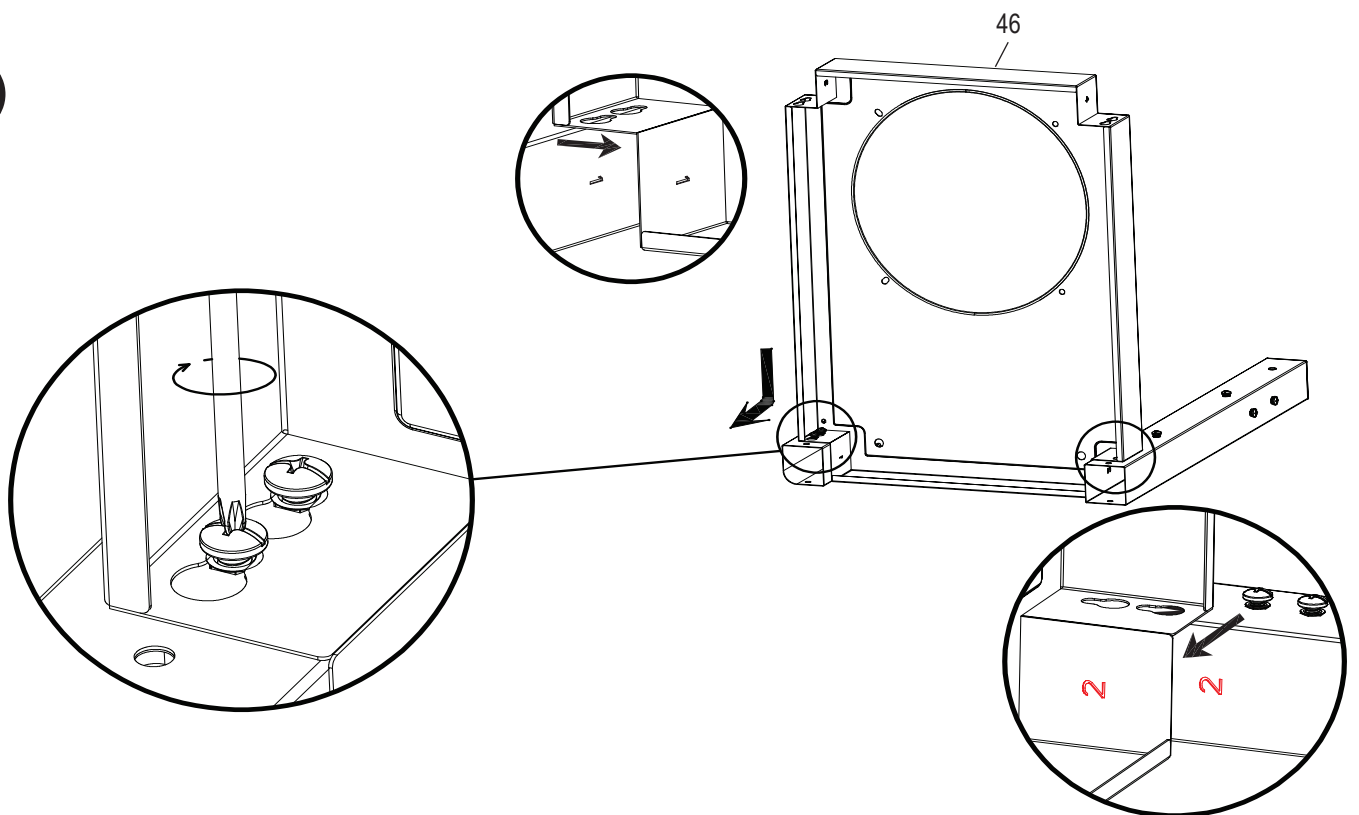


ASSEMBLY

1

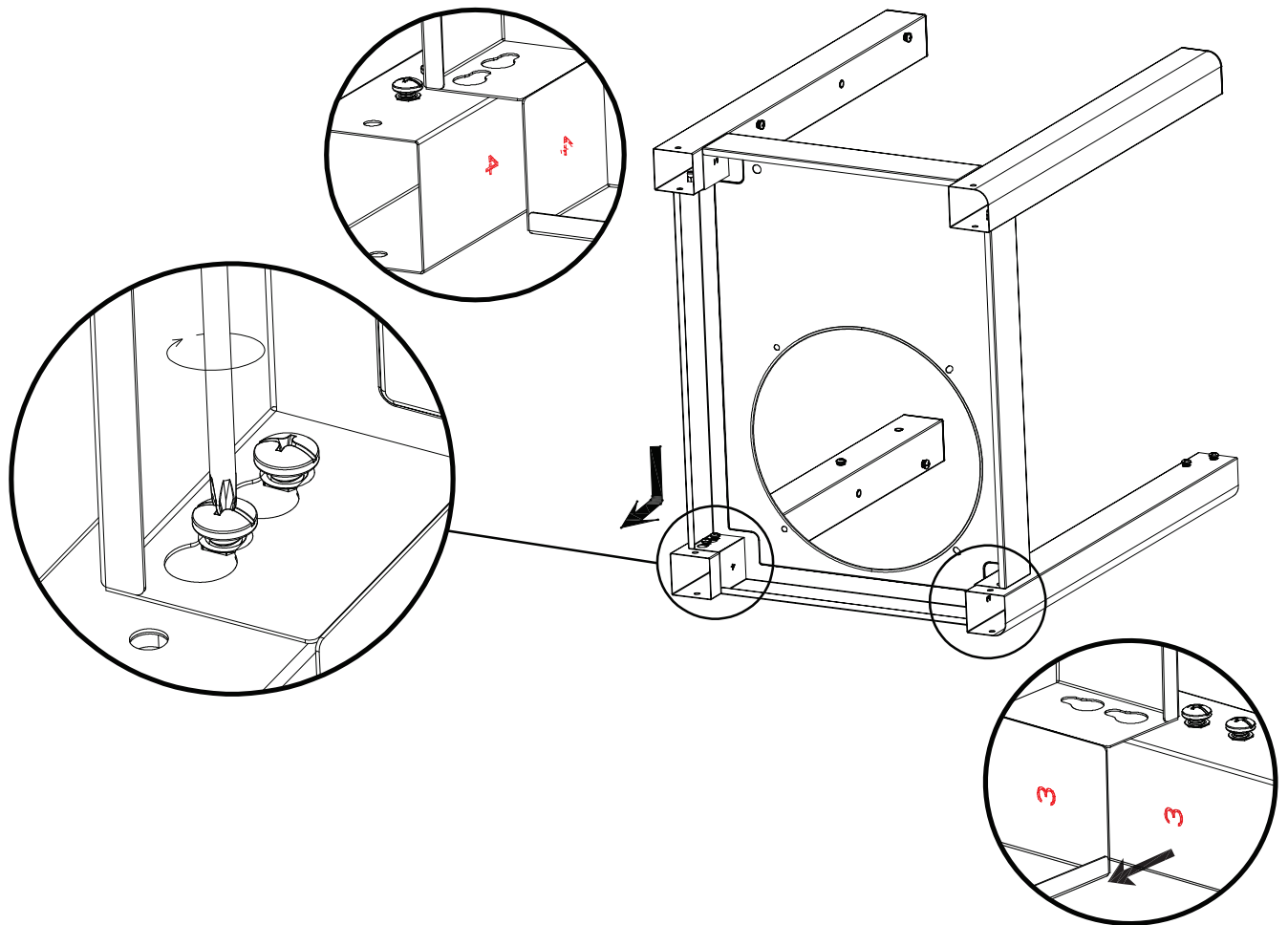


2

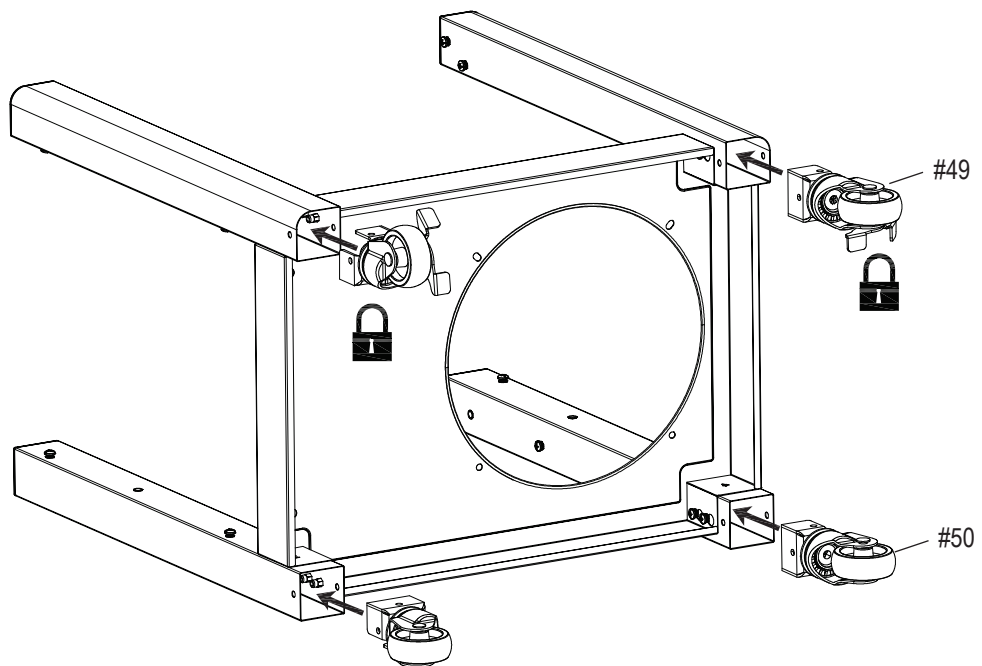


ASSEMBLY

3






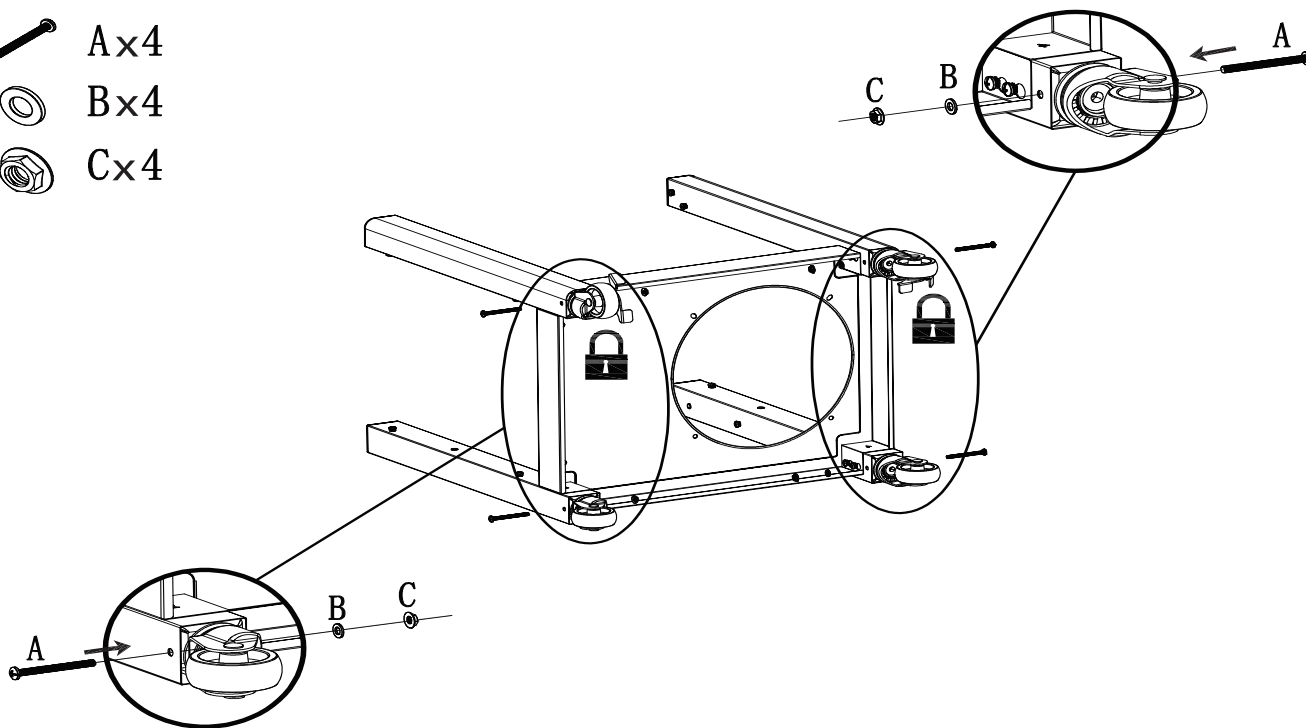
4




ASSEMBLY

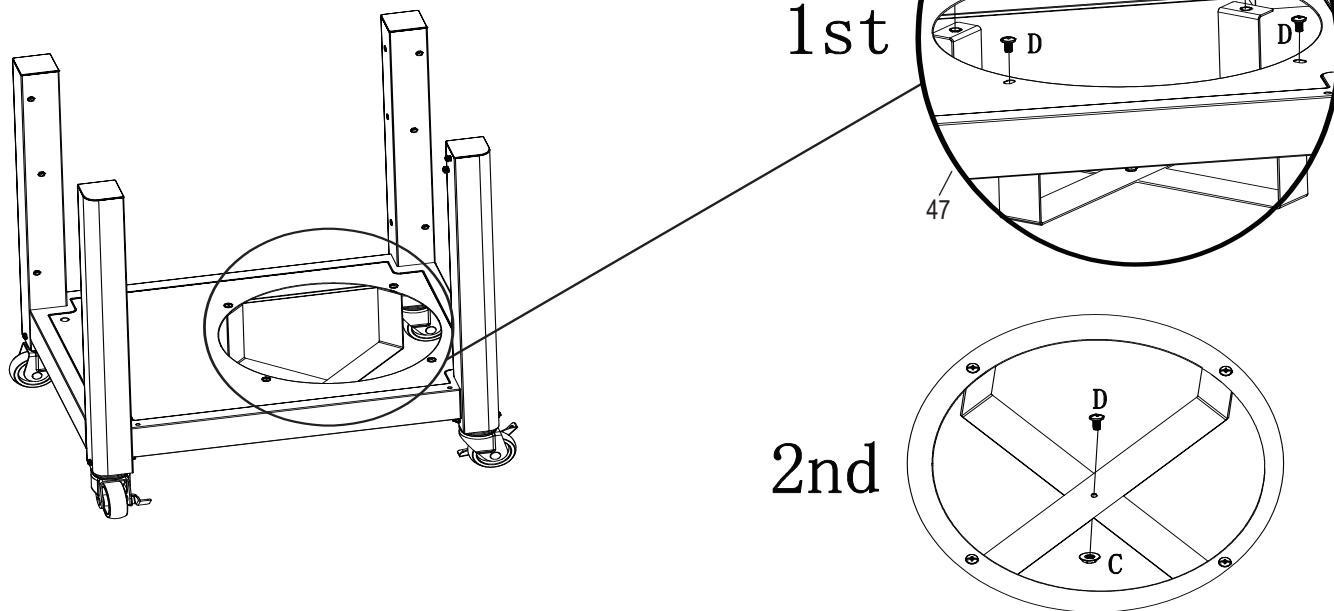
5

-  A x 4
-  B x 4
-  C x 4



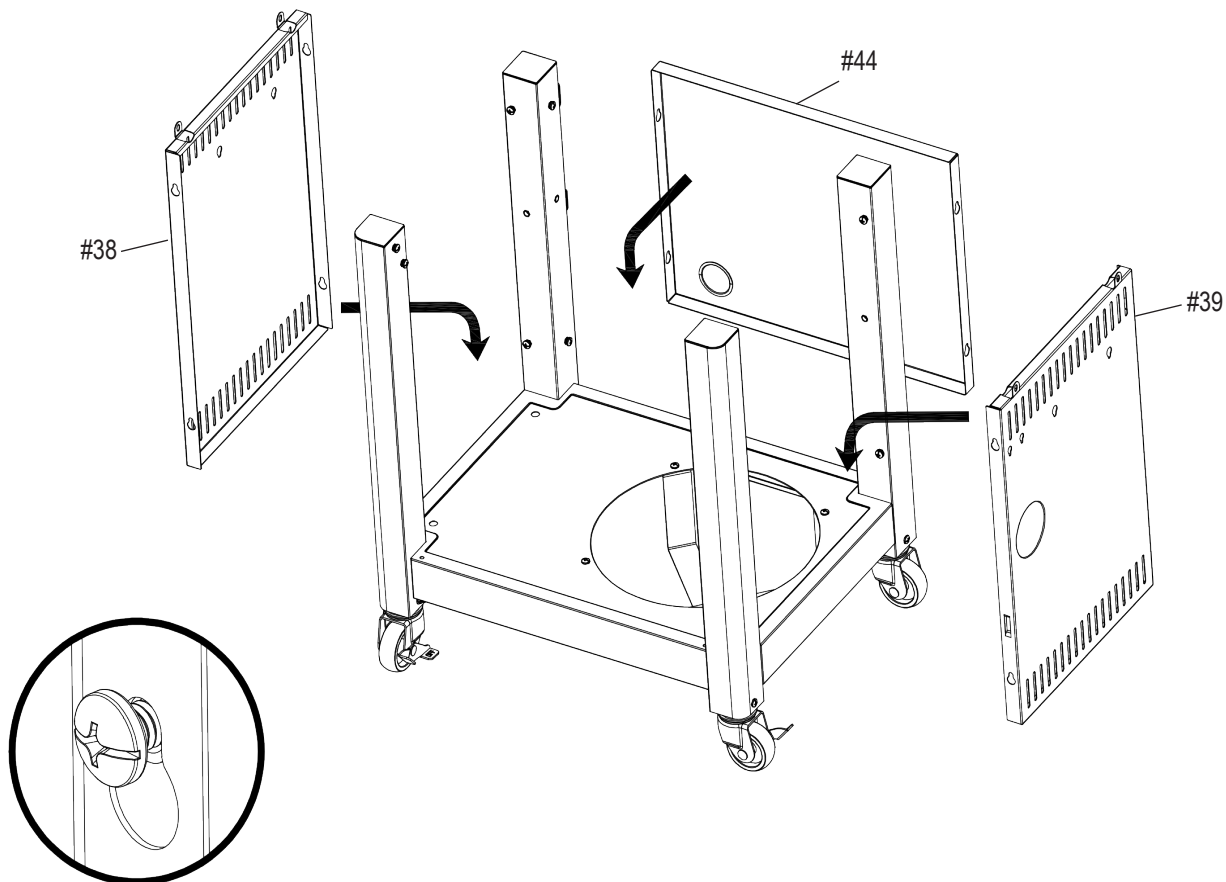
6

-  D x 5
-  C x 1



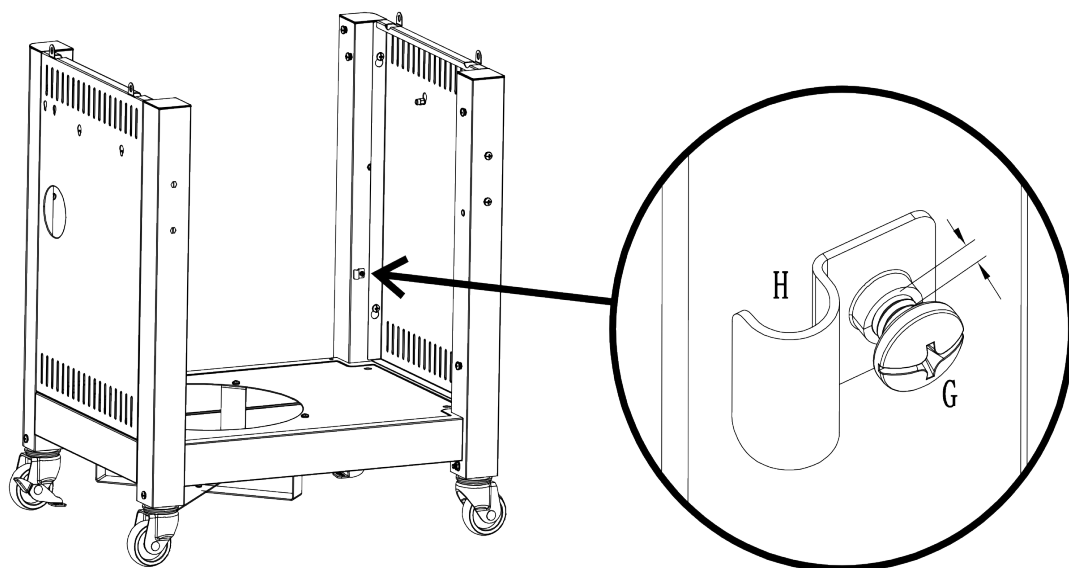
ASSEMBLY

7



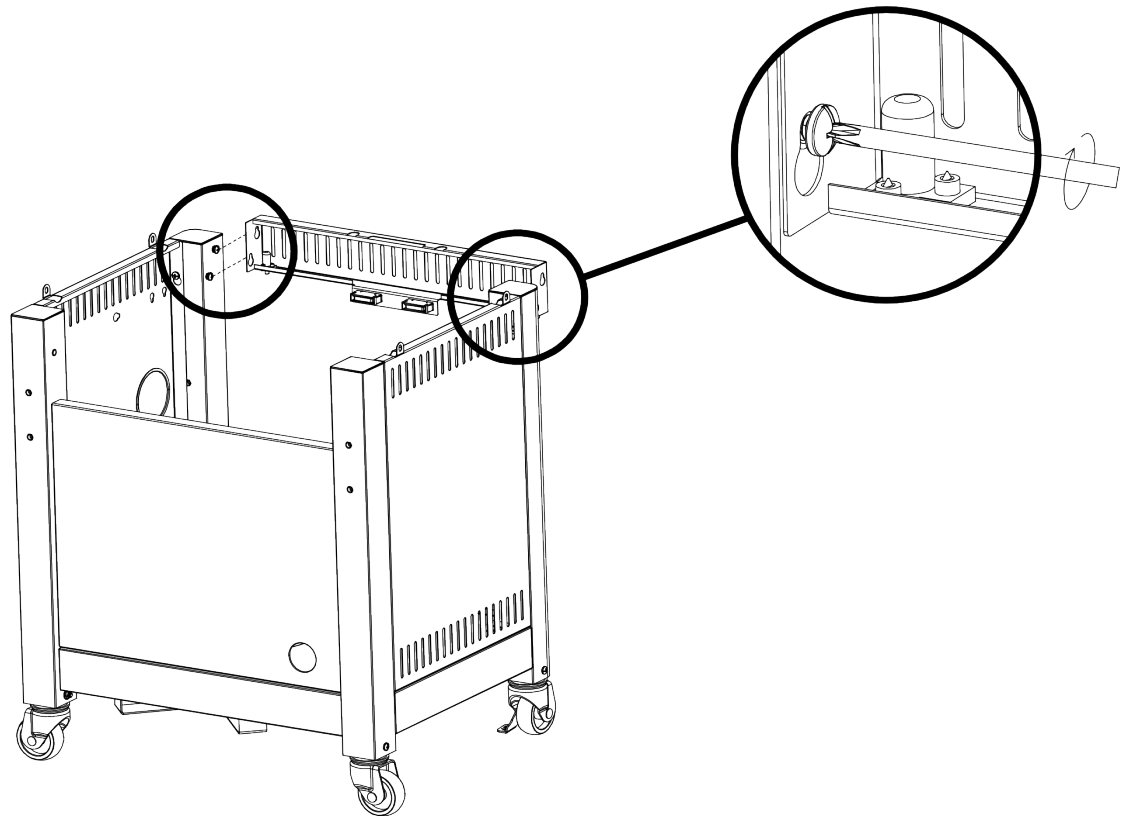
8

-  G x 1
-  H x 1



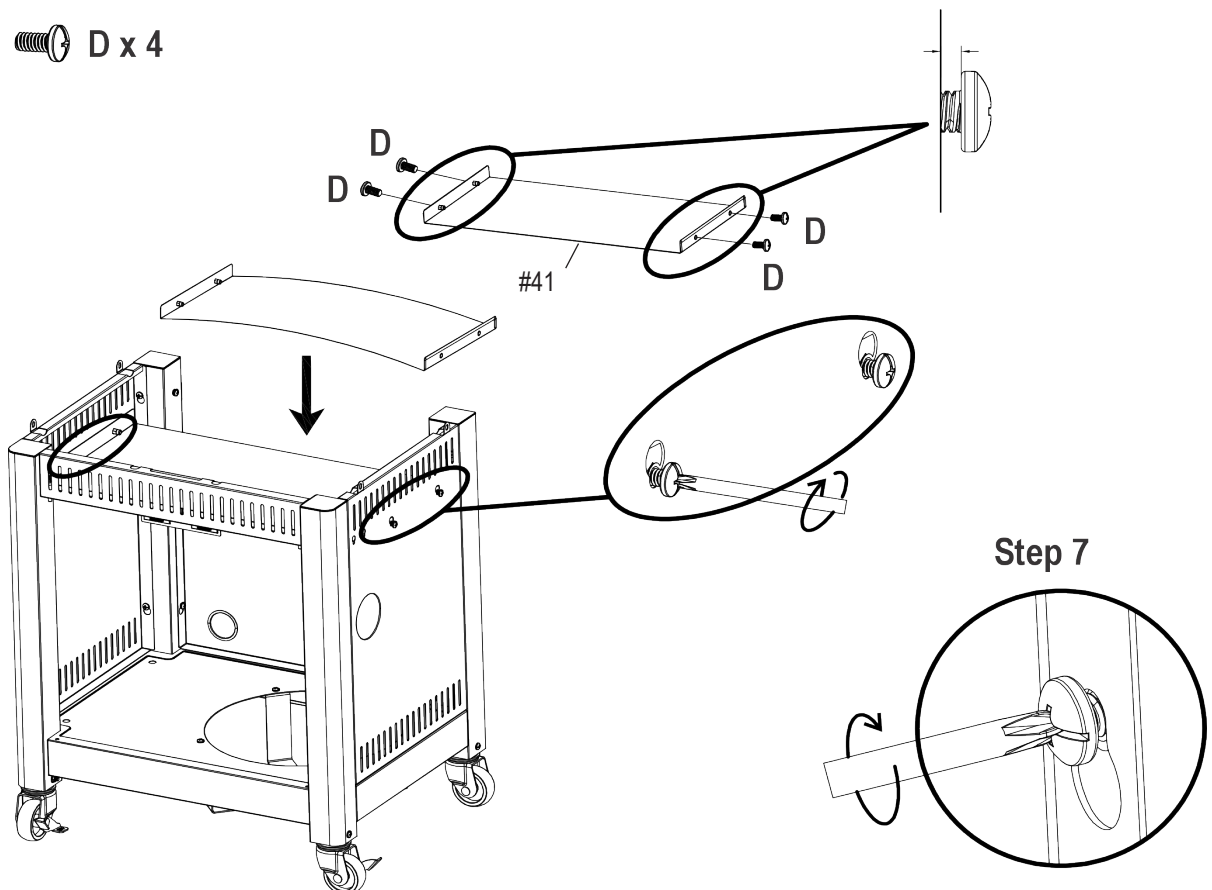
ASSEMBLY

9



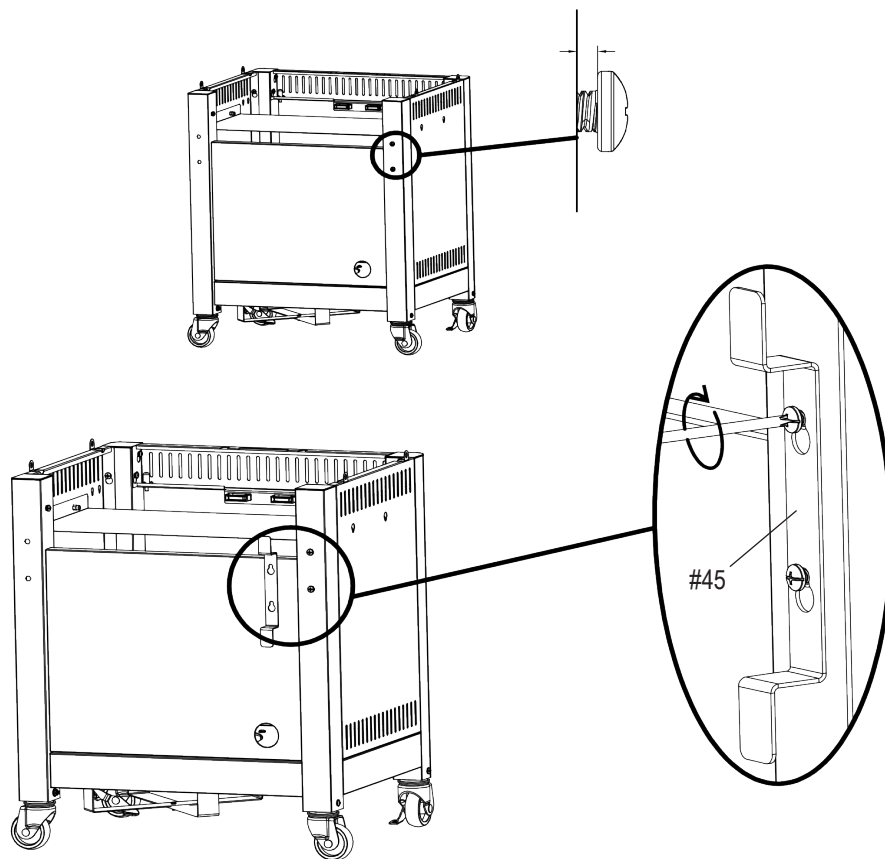
10

 D x 4

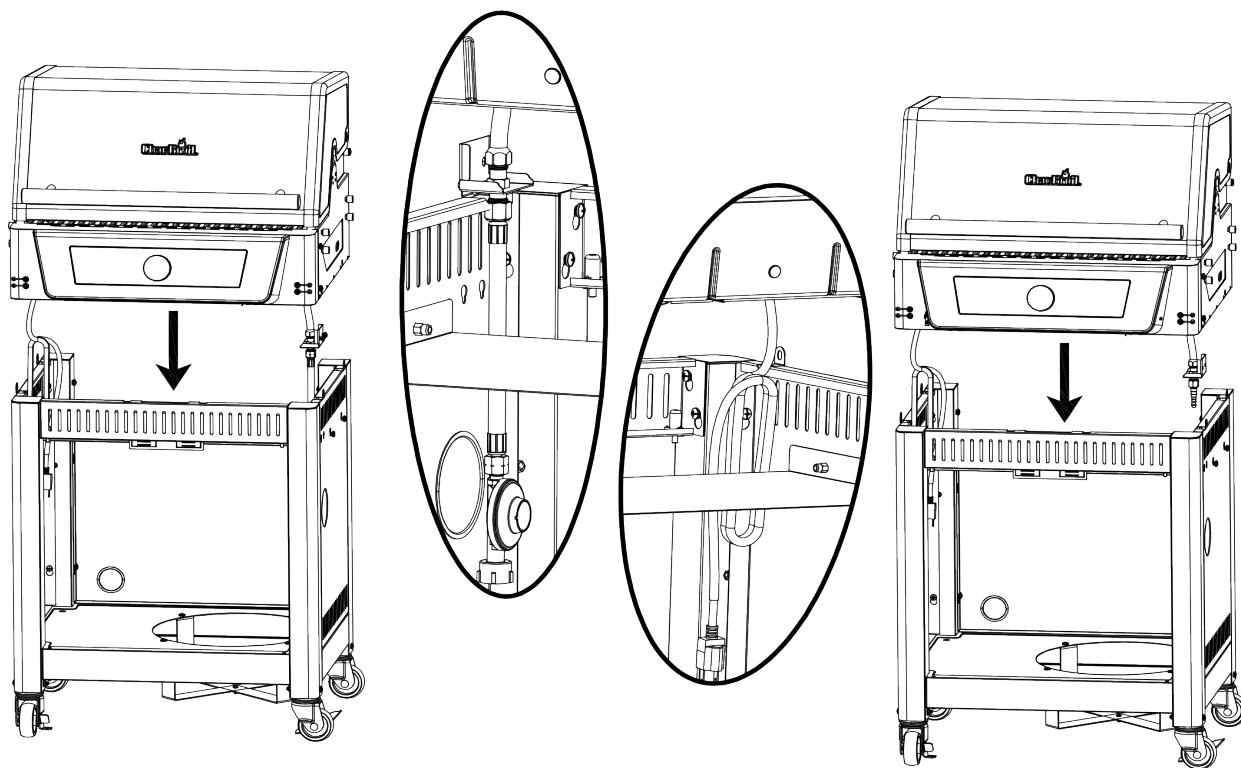


ASSEMBLY

11

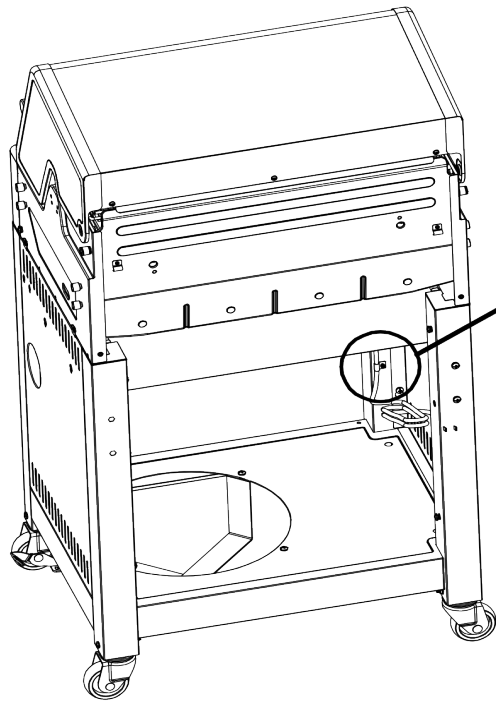


12

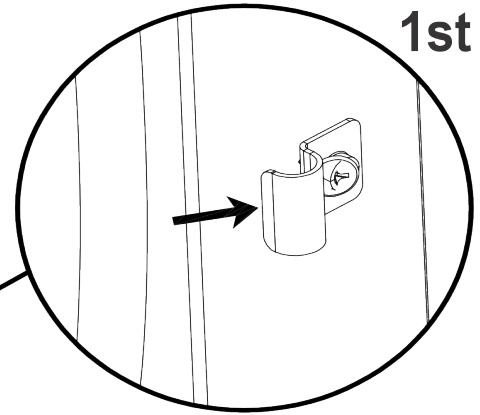


ASSEMBLY

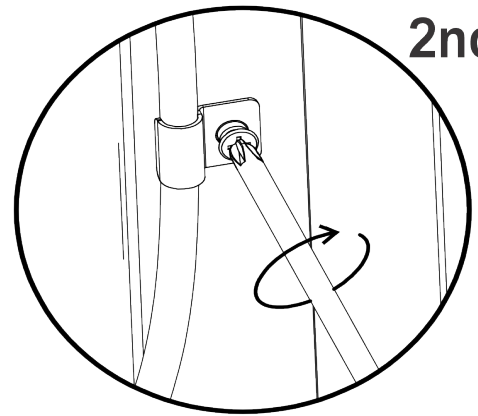
13



1st

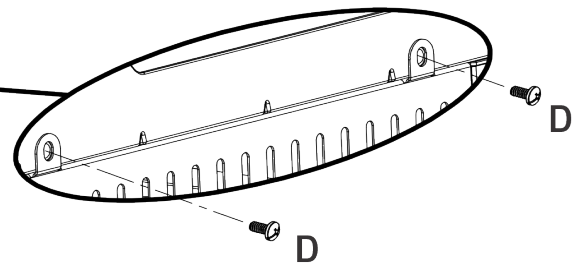
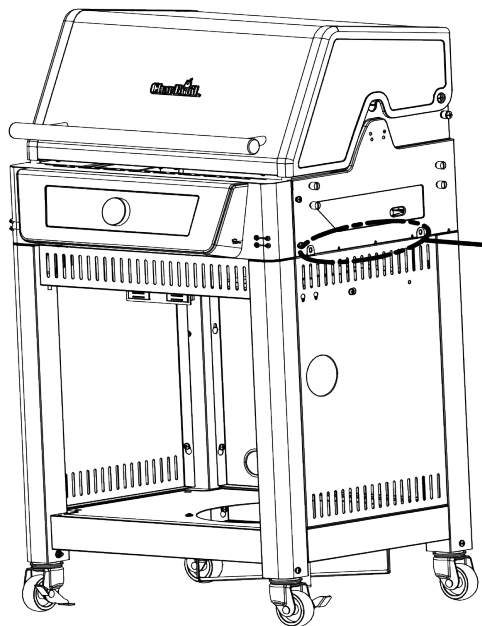


2nd



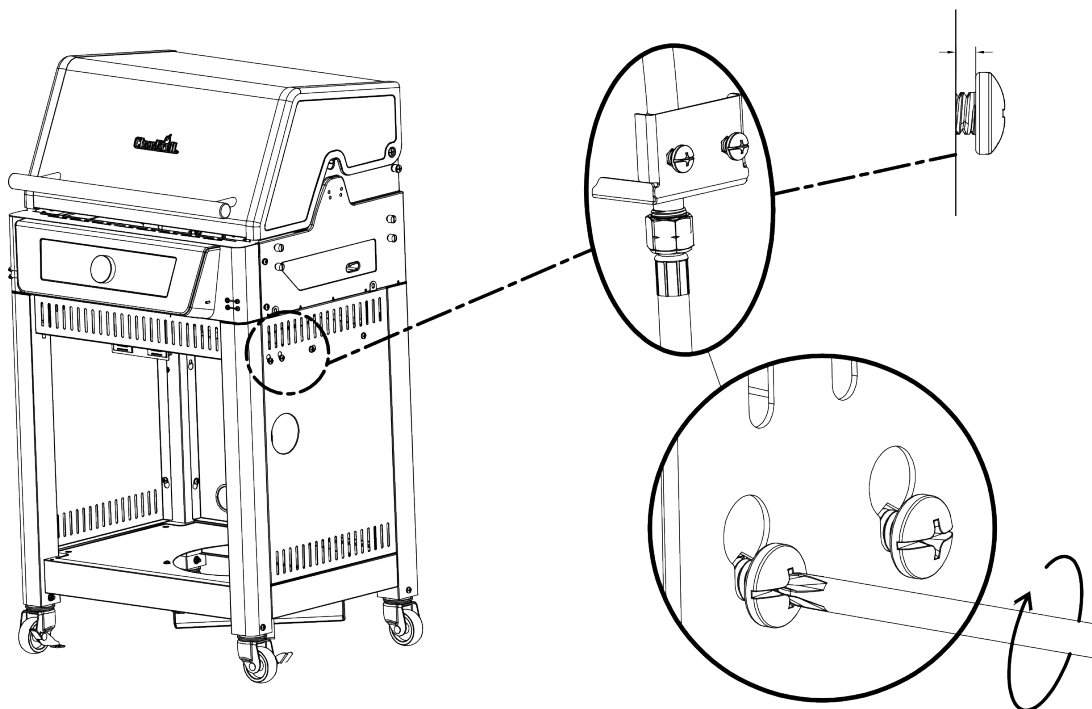
 D x 4

14

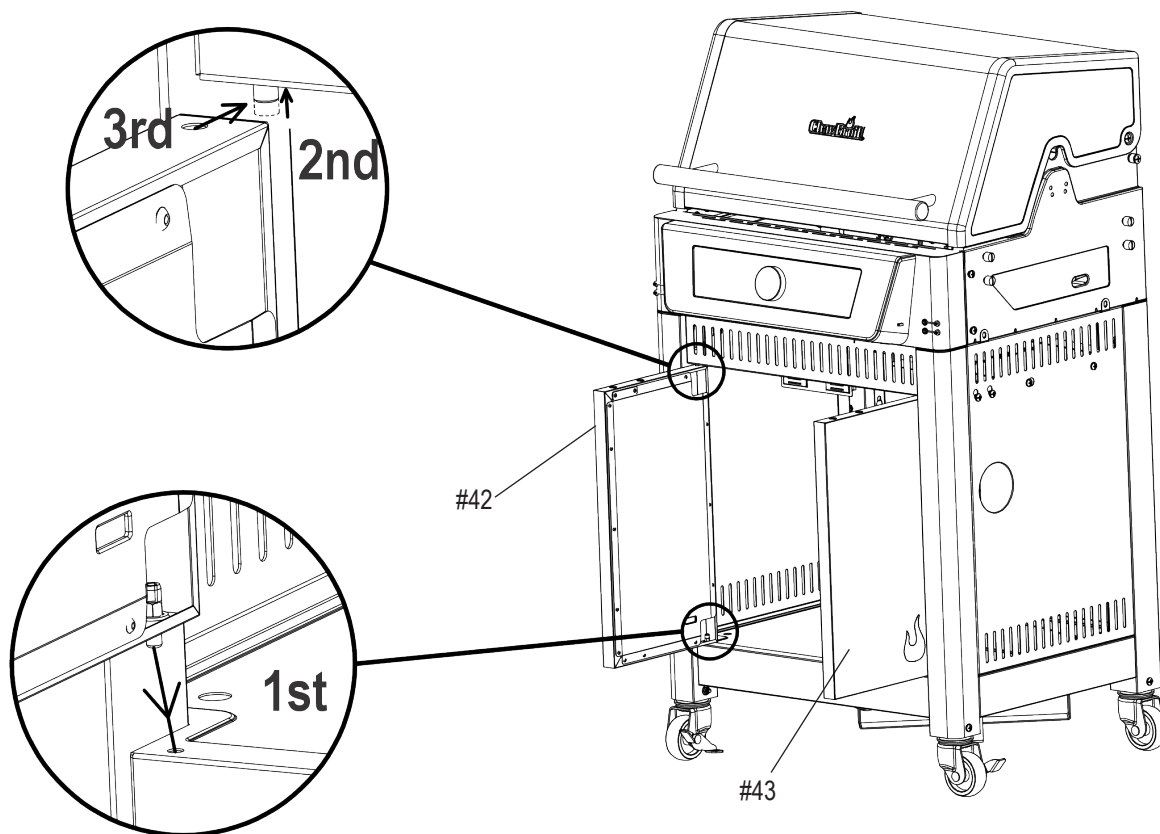


ASSEMBLY

15

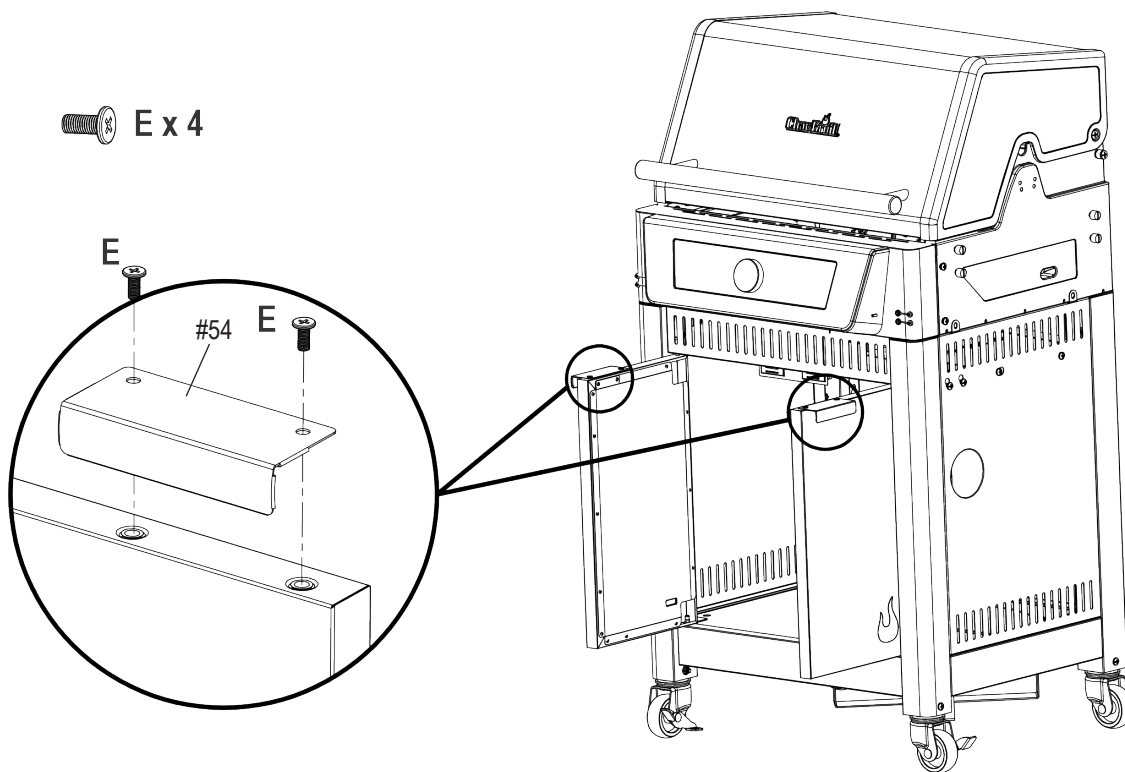


16

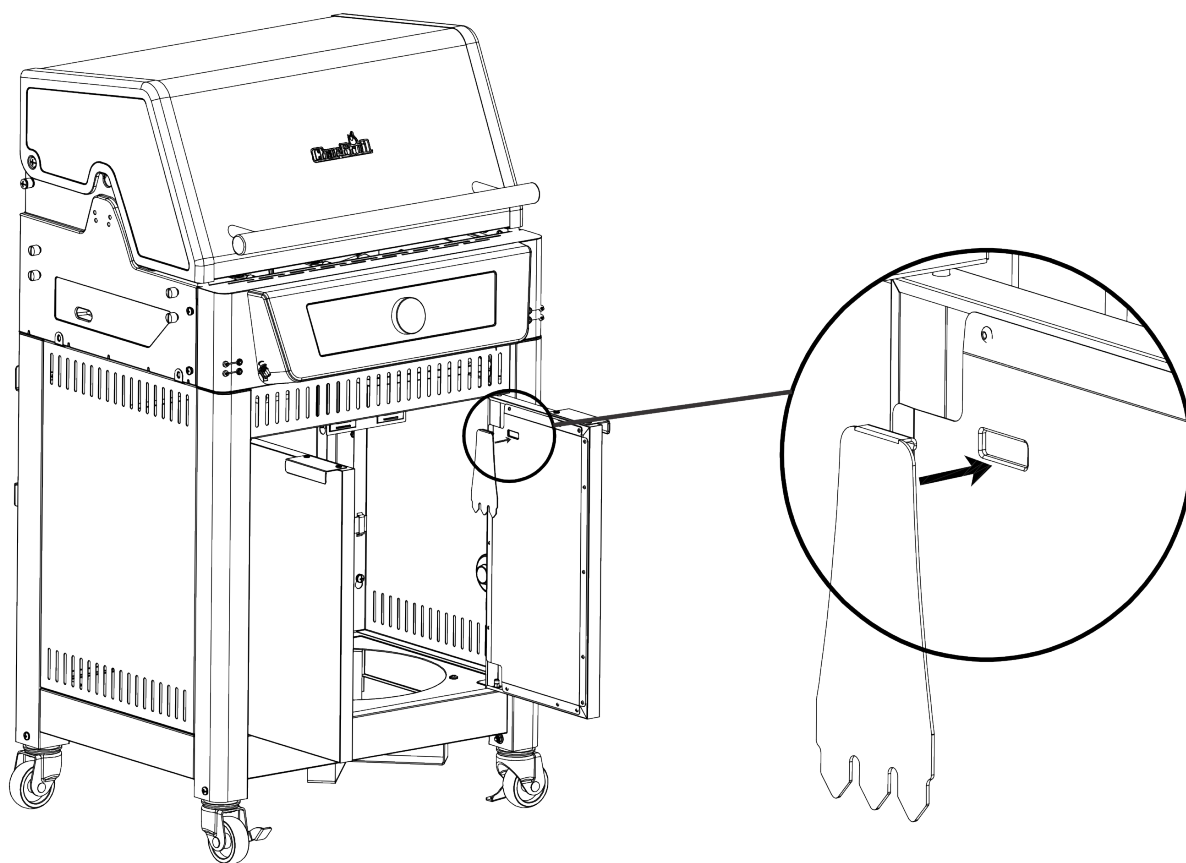


ASSEMBLY

17

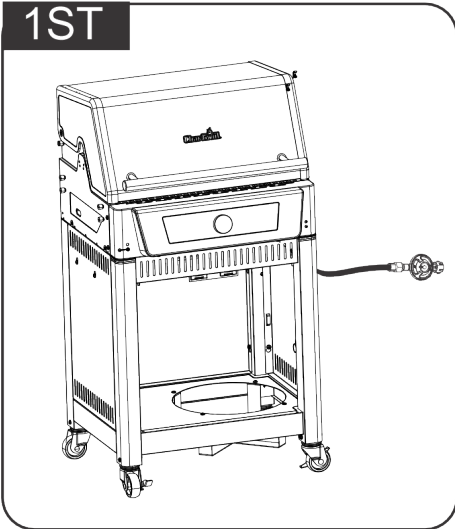


18

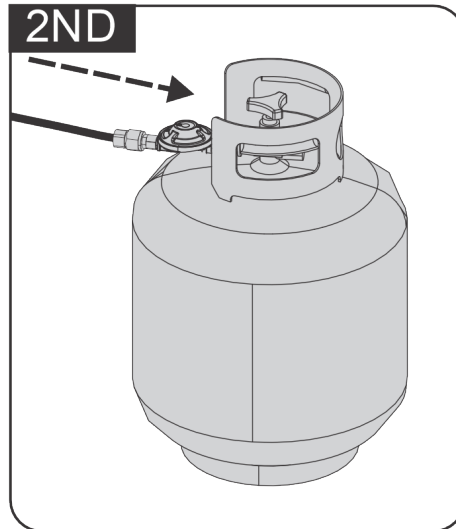


LEAK CHECK FOR 468922224

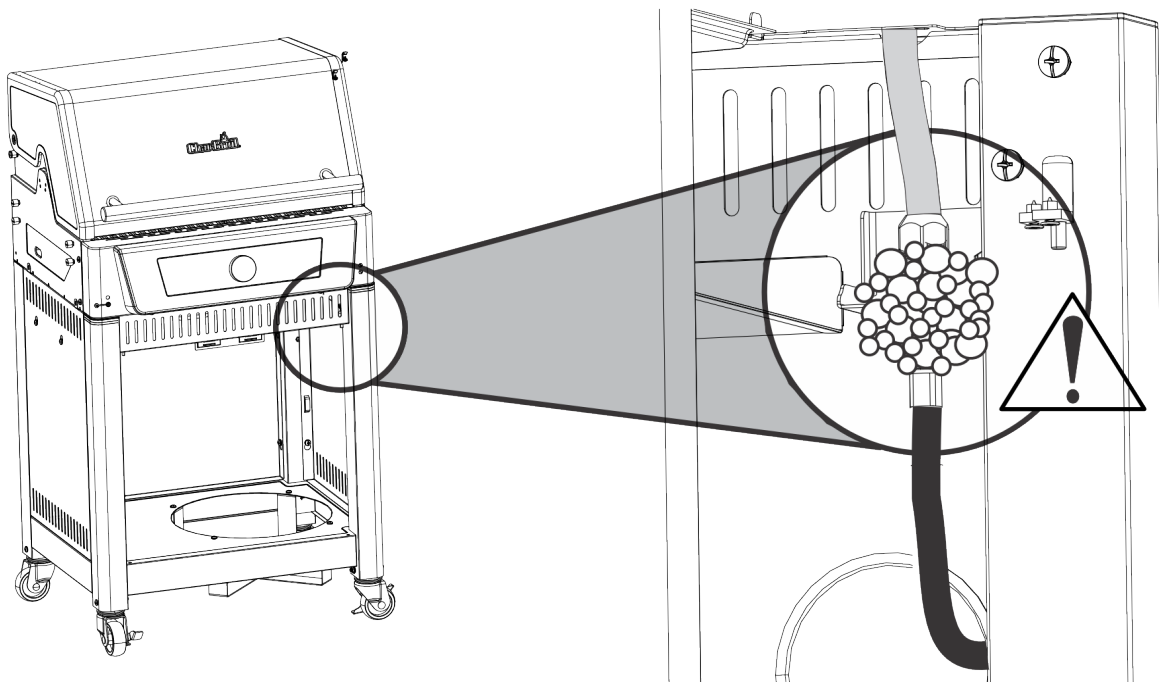
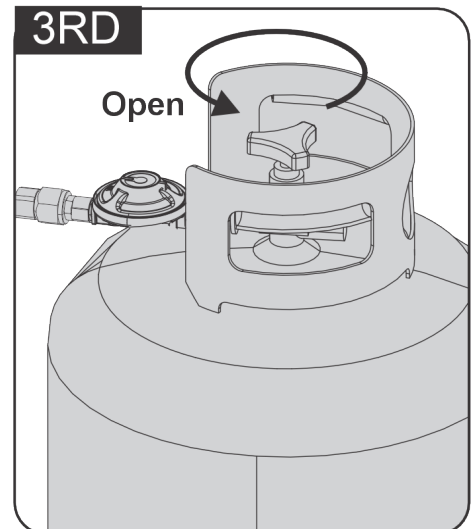
1ST



2ND



3RD



Disconnect the tank after this leak check!
Ontkoppel de gastank na deze controle!
Koppla från tanken efter denna kontroll!
Koble fra beholderen etter denne kontrollen!
Po kontrole nádobu odpojte!
Po této kontrole odpojte nádrž!
Irrota säiliö tämän tarkistuksen jälkeen!
Framontér tanken efter denne kontrol!
Αποσυνδέστε τη δεξαμενή μετά από αυτόν τον έλεγχο!

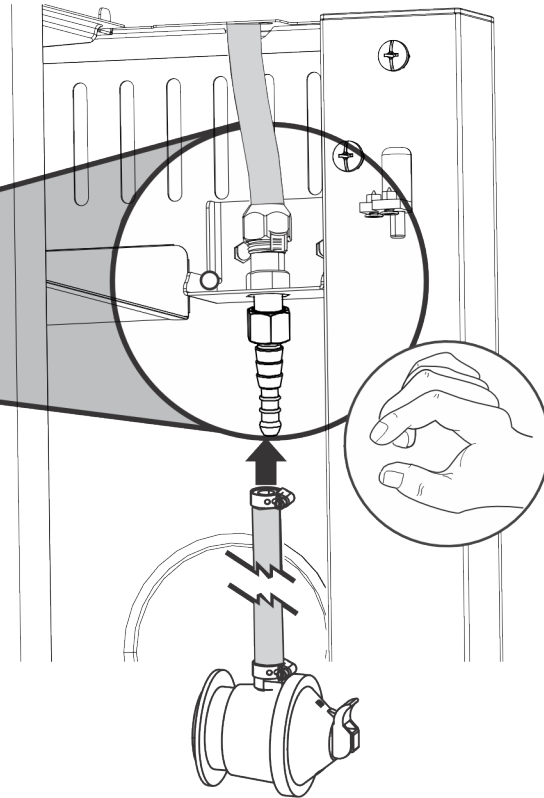
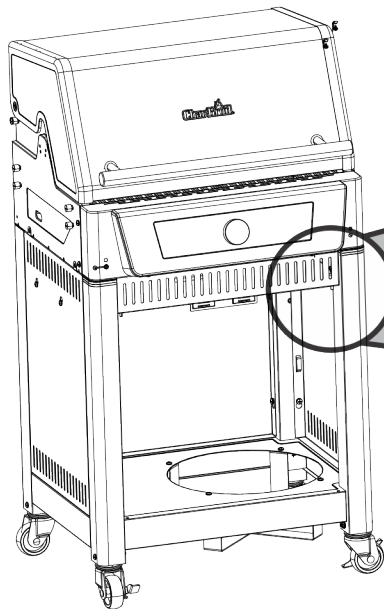
Kösse le a tartályt az ellenőrzés után!
Deconectați rezervorul după această verificare!
Исключите резервоара след тази проверка!
Klemmen Sie den Tank nach dieser Prüfung ab!
Scolligare il serbatoio dopo questo controllo!
Desconecte el tanque luego de esta comprobación!
Desligue a botija depois desta verificação!
Déconnectez le réservoir après cette vérification !
Aftengdu tankinn eftir þessa skoðun!
נתא קה תמכל לאחה רבדיקה

LEAK CHECK FOR 468921224



X1

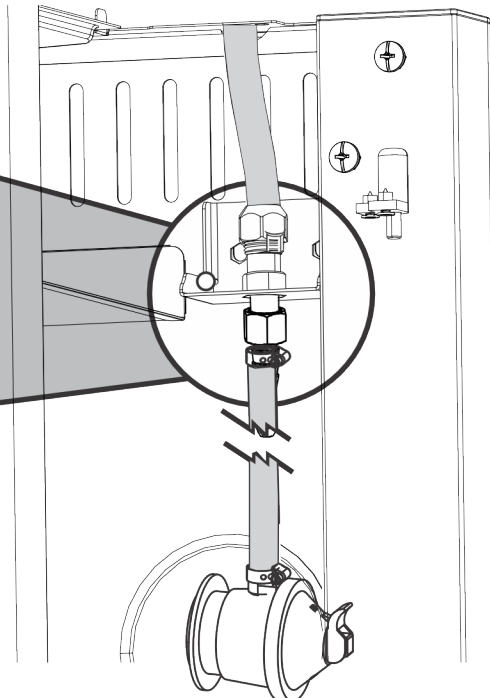
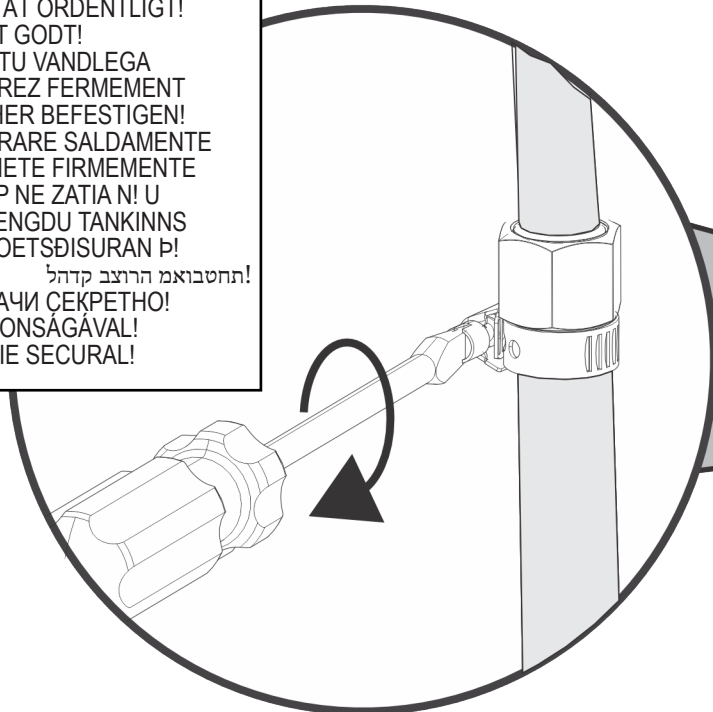
1ST



TIGHTEN SECURELY!
 KIRISTÄ HUOLELLISESTI!
 PEV UTÄH TE!
 FASTSPÆ ND KORREKT!
 DRAA! STEVIG AAN!
 DRA ÄT ORDENTLIGT!
 FEST GODT!
 HERTU VANDLEGA
 SERREZ FERMEMENT
 SICHER BEFESTIGEN!
 SERRARE SALDAMENTE
 APRIETE FIRMEMENTE
 BEZP NE ZATIA NI!
 AFTENGDU TANKINNS
 EKFOETSÐISURAN Þ!

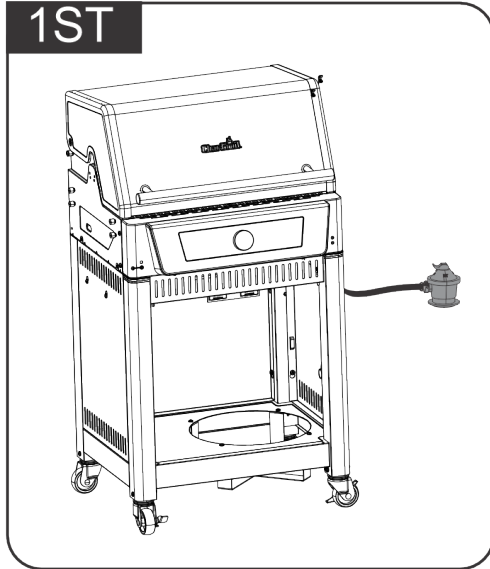
תחטבואמ הרוצב קדהל!

ЗАДАЧИ СЕКРЕТНО!
 BIZTONSÁGÁVAL!
 ATE IE SECURAL!

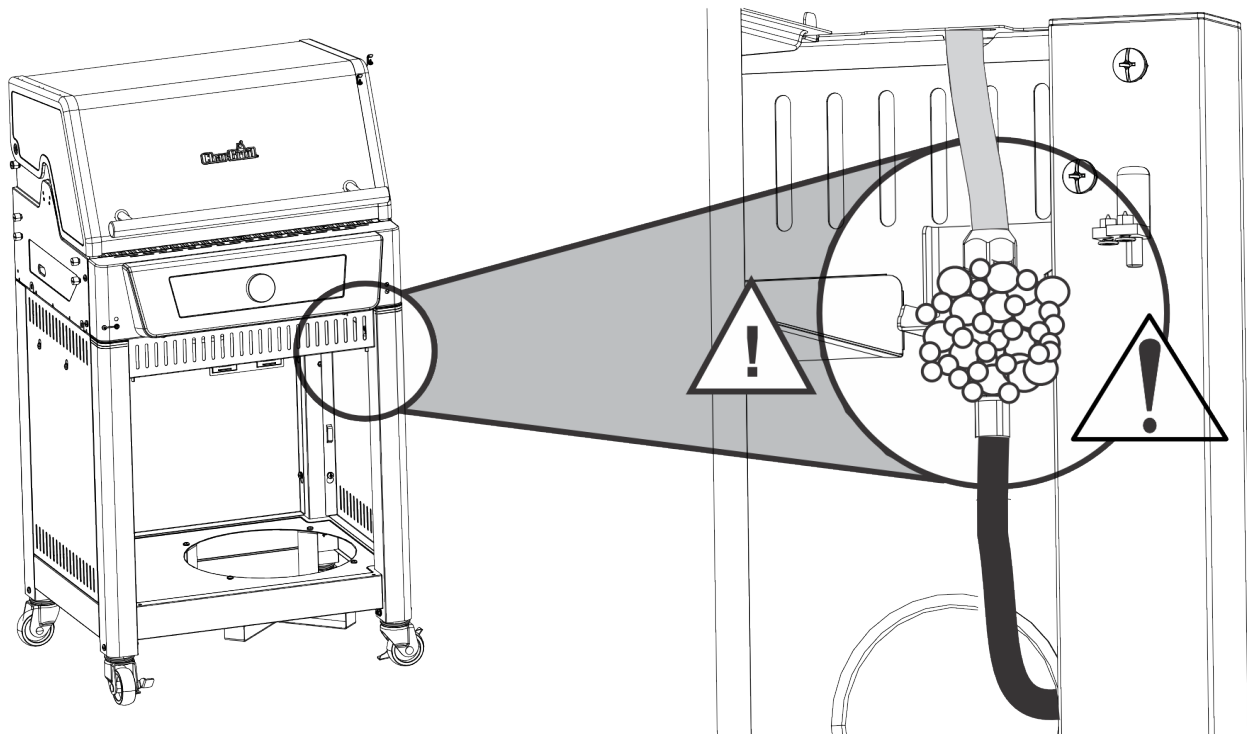
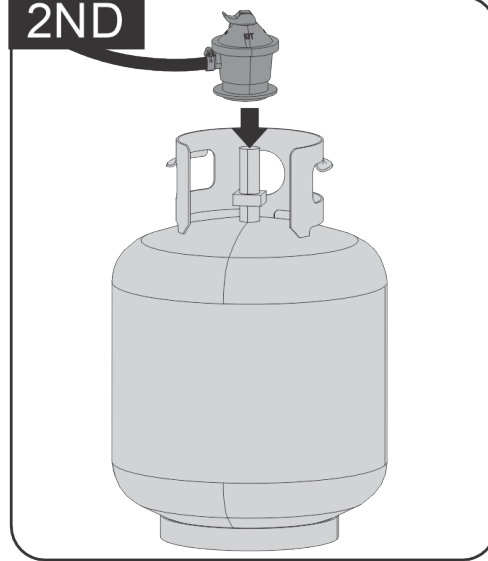


LEAK CHECK FOR 468921224

1ST



2ND

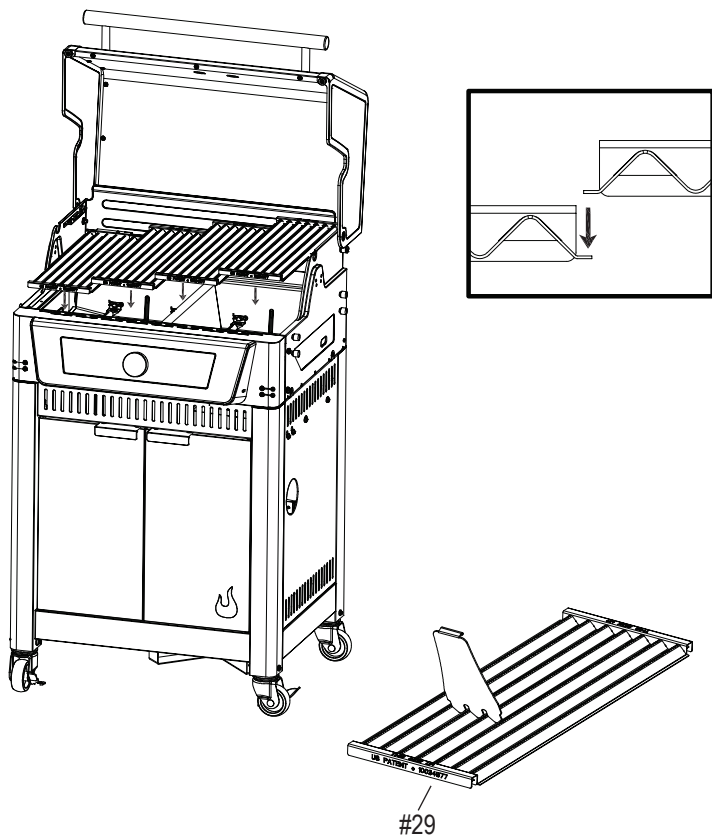


Disconnect the tank after this leak check!
Ontkoppel de gastank na deze controle!
Koppla från tanken efter denna kontroll!
Koble fra beholderen etter denne kontrollen!
Po kontrole nádobu odpojte!
Po této kontrole odpojte nádrž!
Irrota säiliö tämän tarkistuksen jälkeen!
Framontér tanken efter denne kontrol!
Αποσυνδέστε τη δεξαμενή μετά από αυτόν τον έλεγχο!

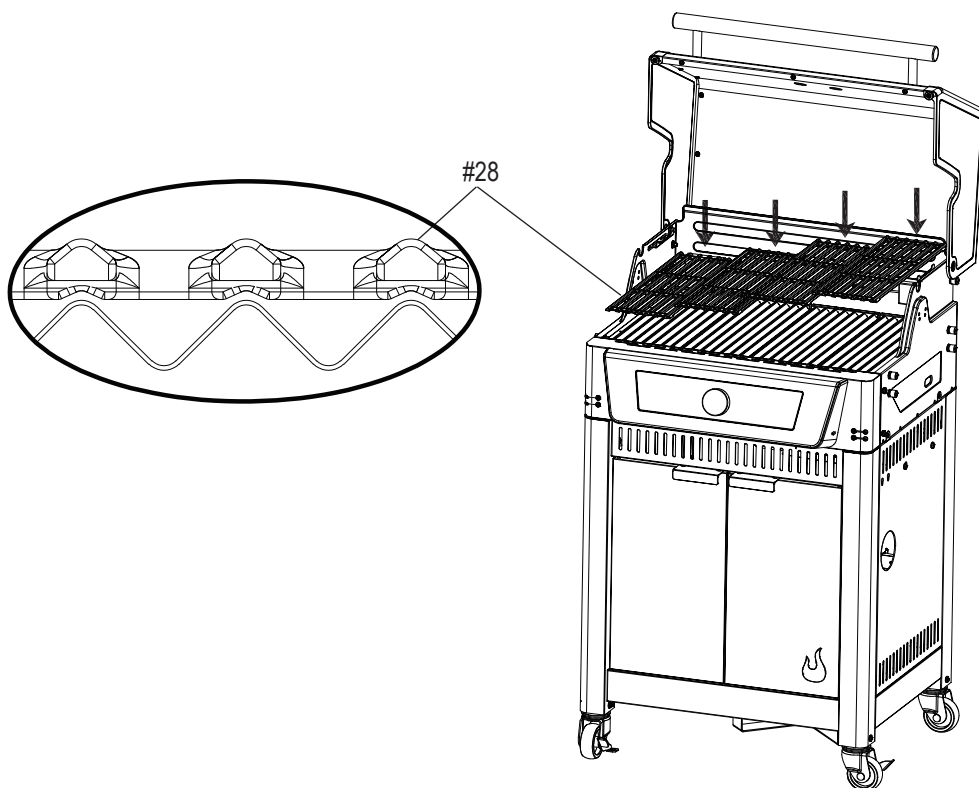
Kösse le a tartályt az ellenőrzés után!
Deconectați rezervorul după această verificare!
Исключите резервоара след тази проверка!
Klemmen Sie den Tank nach dieser Prüfung ab!
Scollegare il serbatoio dopo questo controllo!
¡Desconecte el tanque luego de esta comprobación!
Desligue a botija depois desta verificação!
Déconnectez le réservoir après cette vérification !
Aftengdu tankinn eftir þessa skoðun!
נחא קה תמכל לאחה רבדיקה

ASSEMBLY

19



20



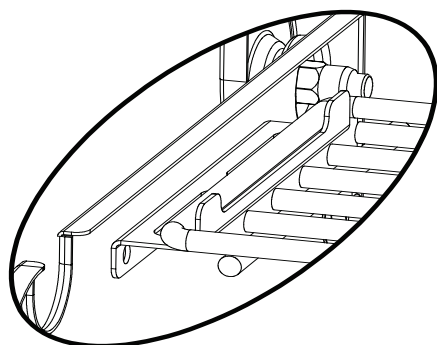
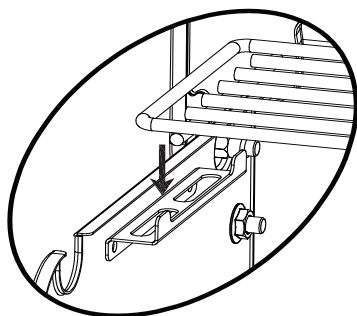
20

ASSEMBLY

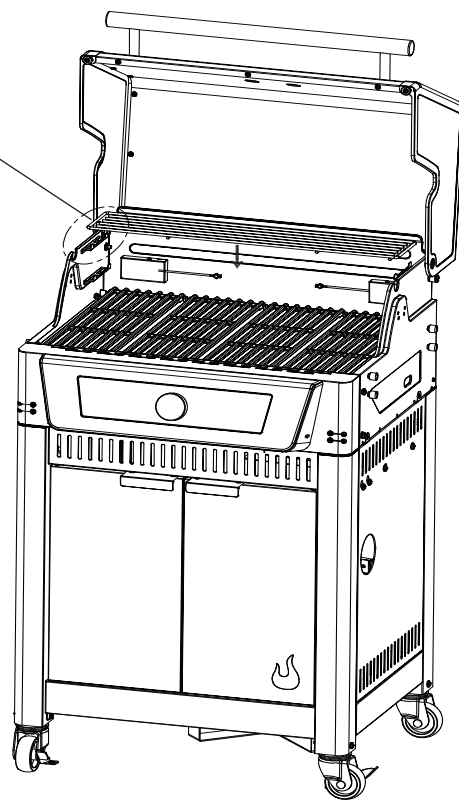
GB	Inspect your infrared grate before each use to ensure that the openings are not covered with debris. See cleaning instructions under Grilling Tips section on the website.
CH, FR	Inspectez votre grille infrarouge avant chaque utilisation pour vous assurer que les ouvertures ne sont pas couvertes de débris. Consultez les instructions de nettoyage dans la section Conseils pour les grillades sur le site Web.
LU, AT, CH, DE	Überprüfen Sie Ihren Infrarot-Rost vor jedem Gebrauch, um sicherzustellen, dass die Öffnungen nicht mit Schmutz bedeckt sind. Siehe Reinigungsanweisungen im Abschnitt „Grilltipps“ auf der Website.
CH, IT	Ispeziona la griglia a infrarossi prima di ogni utilizzo per assicurarti che le aperture non siano coperte da detriti. Consultare le istruzioni per la pulizia nella sezione Consigli per la grigliatura sul sito web.
SE	Inspektera ditt infraröda galler före varje användning för att säkerställa att öppningarna inte är täckta med skräp. Se rengöringsinstruktioner under Grilltips på hemsidan.
ES	Inspeccione su rejilla de infrarrojos antes de cada uso para asegurarse de que las aberturas no estén cubiertas con escombros. Consulte las instrucciones de limpieza en la sección Consejos para asar a la parrilla en el sitio web.
DK	Undersøg din infrarøde rist før hver brug for at sikre, at åbningerne ikke er dækket af snavs. Se rengøringsinstruktioner under afsnittet Grilltips på hjemmesiden.
NO	Inspiser den infrarøde risten før hver bruk for å sikre at åpningene ikke er dekket med rusk. Se rengjøringsinstruksjoner under Grilltips-delen på nettsiden.
SK	Pred každým použitím skontrolujte infračervený rošt, aby ste sa uistili, že otvory nie sú zakryté úlomkami. Pozrite si pokyny na čistenie v časti Tipy na grilovanie na webovej stránke.
CZ	Před každým použitím infračervený rošt zkontrolujte, zda otvory nejsou zaneseny nečistotami. Viz pokyny k čištění v části Tipy pro grilování na webu.
HU	Minden használat előtt ellenőrizze az infravörös rácsot, hogy a nyílásokat ne takarja-e el törmelék. Tekintse meg a tisztítási utasításokat a weboldalon Grillezési tipp szakaszában.
SI	Pred vsako uporabo preglejte svojo infrardečo rešetko in se prepričajte, da odprtine niso prekrite z odpadki. Glejte navodila za čiščenje v razdelku Nasveti za peko na žaru na spletnem mestu.

ASSEMBLY

21

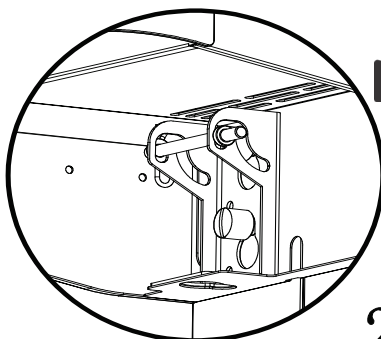


#27

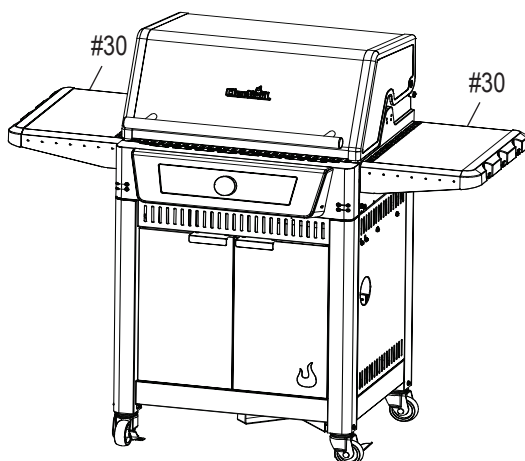
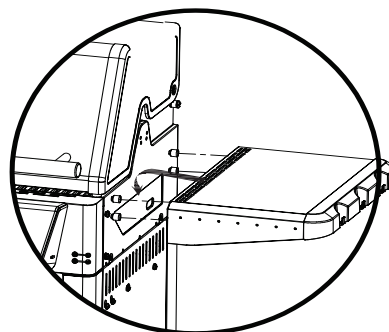


22

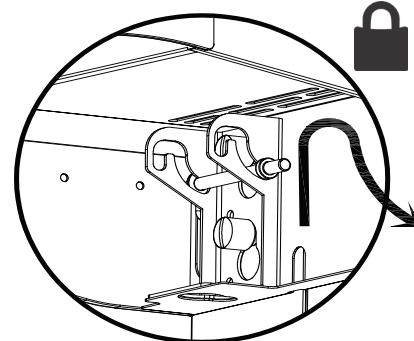
1st



2nd



3rd

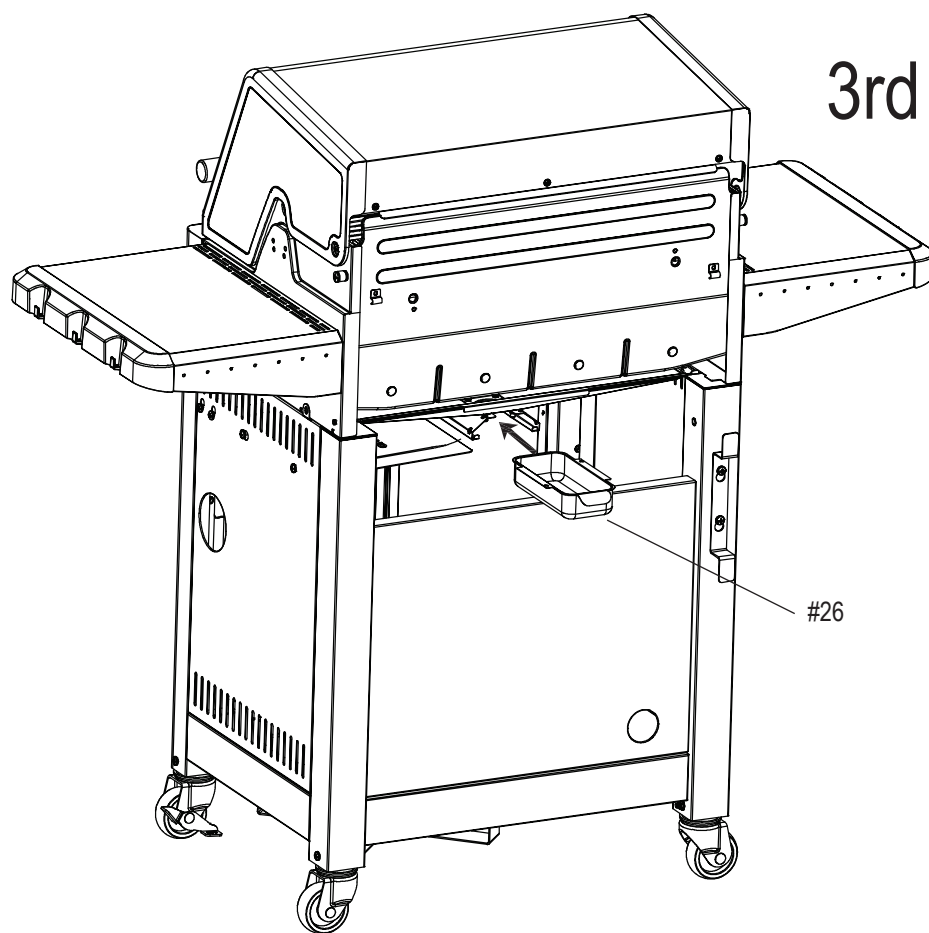
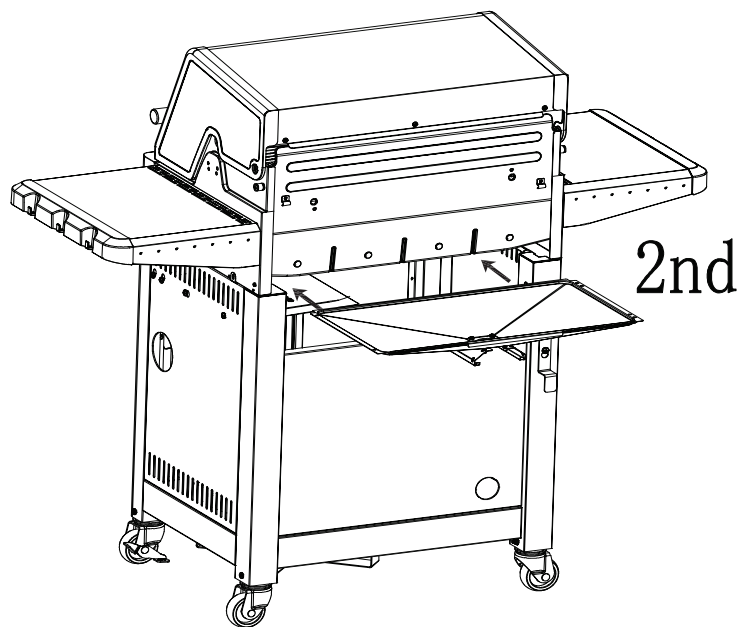
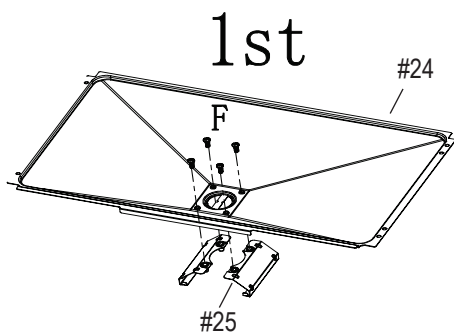


ASSEMBLY

23

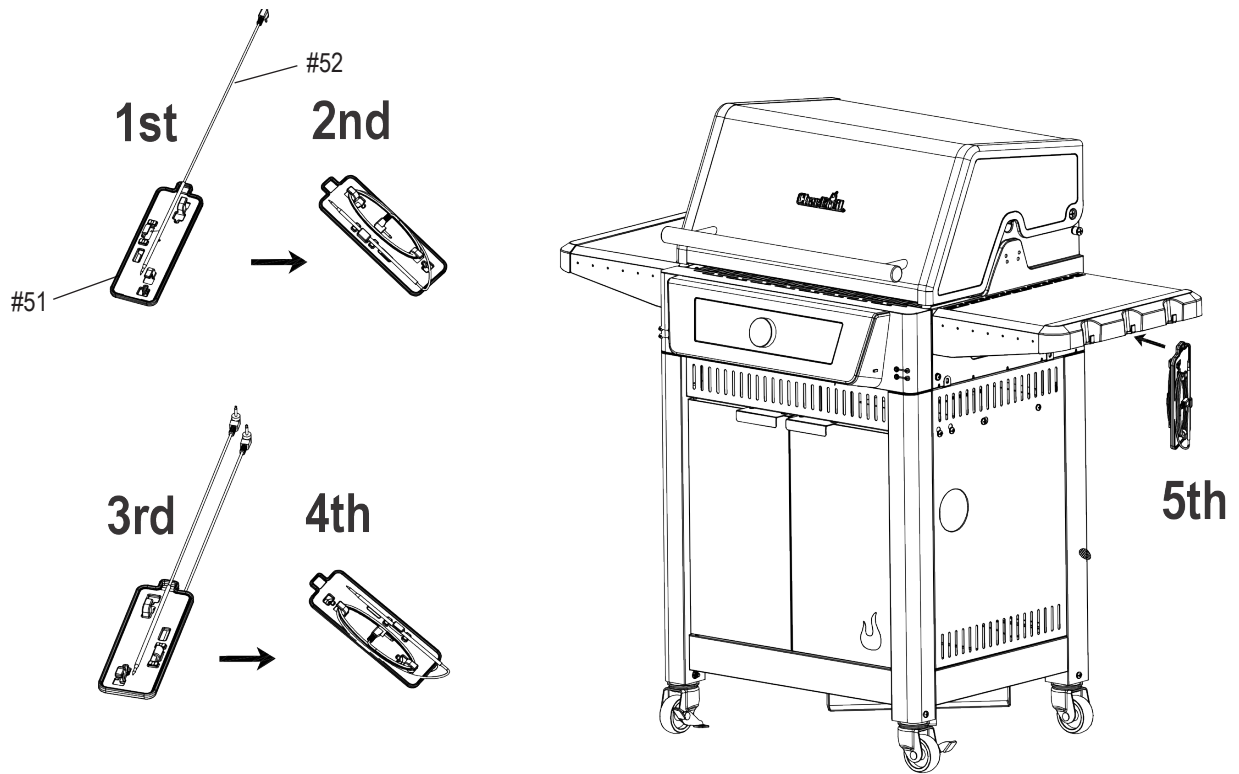


Fx4

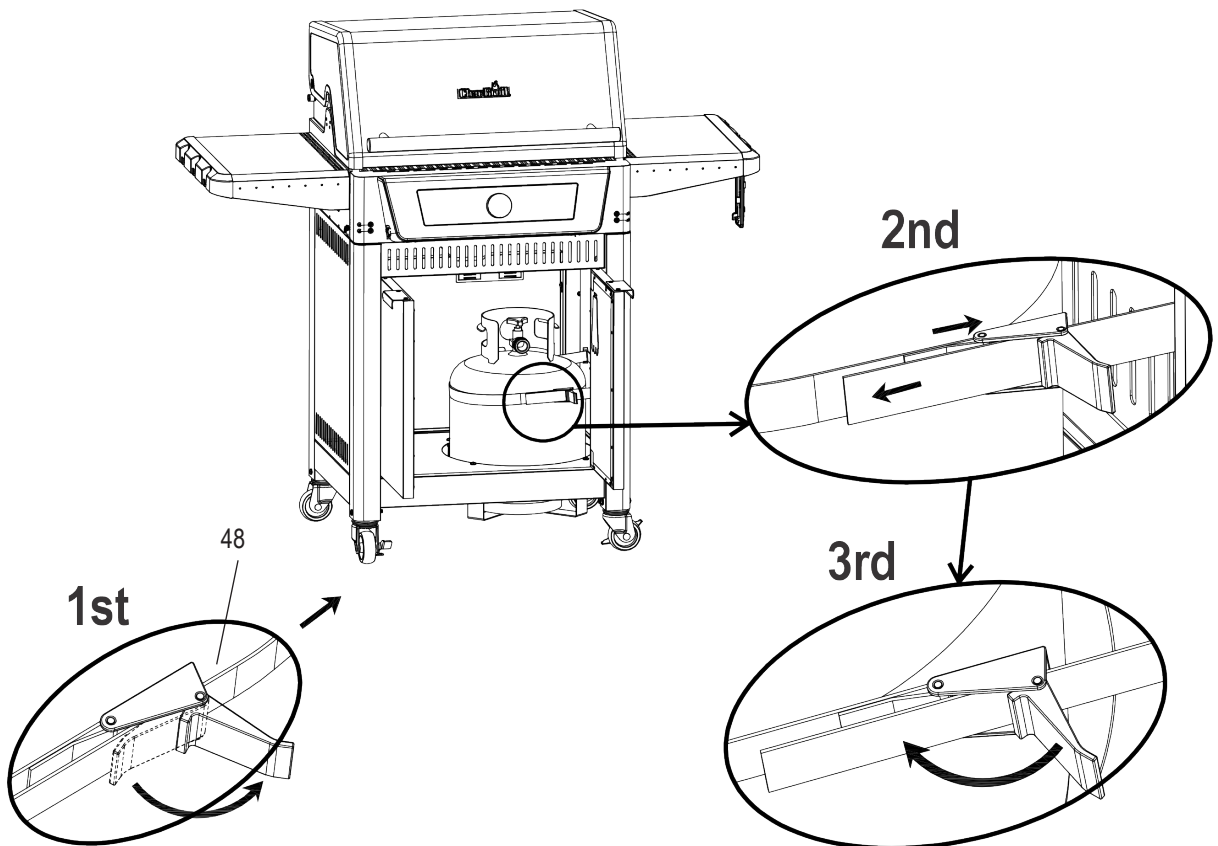


ASSEMBLY

24



25

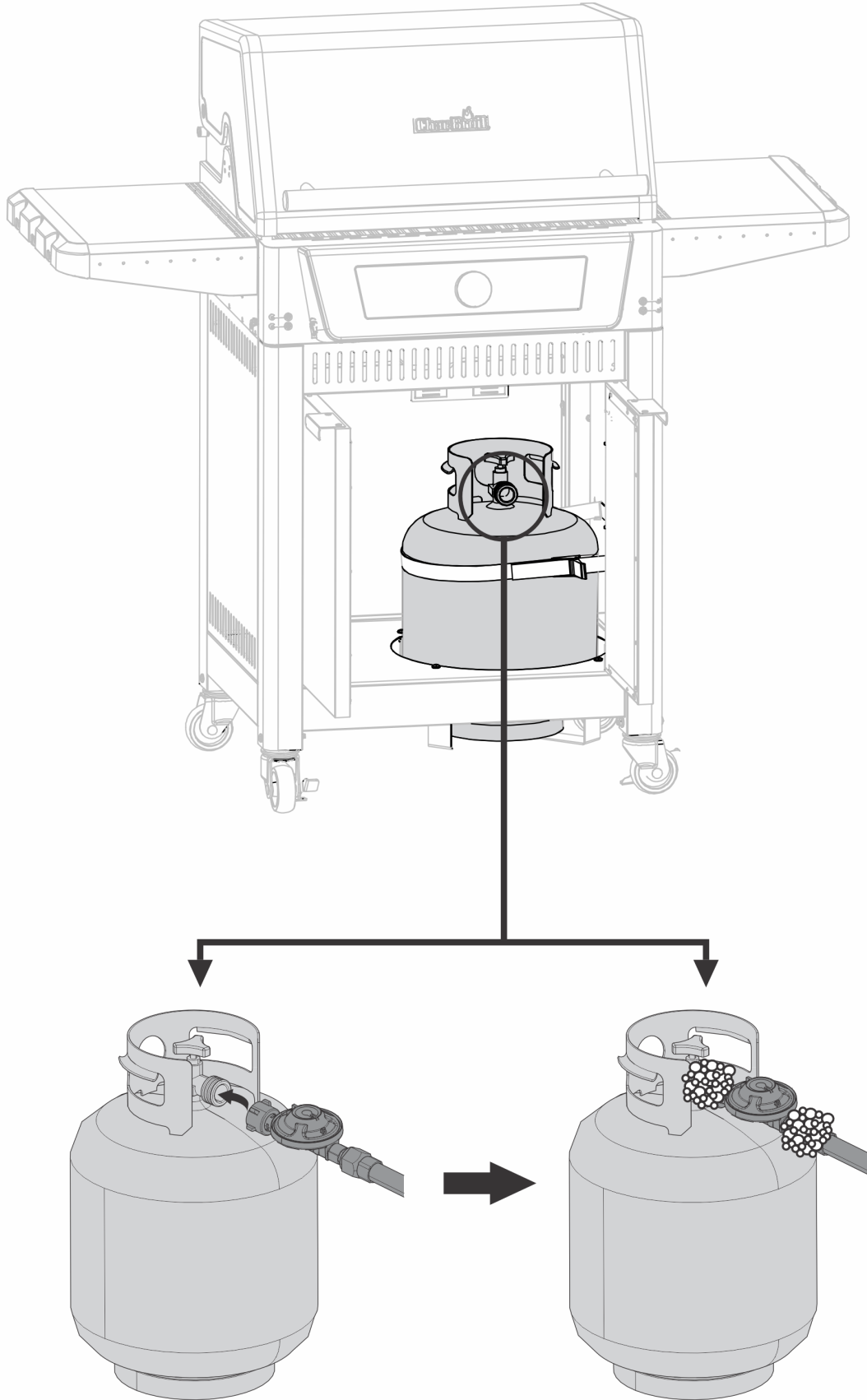


ASSEMBLY

GB	Leak test before first use, at least once per year, and every time the gas tank is changed or disconnected.
CH, FR	Faites un test d'étanchéité avant la première utilisation, au moins une fois par an et à chaque fois que le réservoir de gaz GPL est changé ou déconnecté.
LU, AT, CH, DE	Dichtheitsprüfung vor dem ersten Gebrauch, mindestens einmal pro Jahr und jedes Mal, wenn der Flüssiggastank ausgetauscht oder getrennt wird.
CH, IT	Test di tenuta prima del primo utilizzo, almeno una volta all'anno, e ogni volta che il serbatoio del gas GPL viene cambiato o scollegato.
LU, BE, NL	Lektest vóór eerste gebruik, minstens één keer per jaar en telkens wanneer de gastank wordt vervangen of losgekoppeld.
SE	Läcktest före första användningen, minst en gång per år, och varje gång LP-gasen är ändrad eller avstängd.
FI	Vuototesti ennen ensimmäistä käyttöä vähintään kerran vuodessa ja joka kerta, kun LP-kaasusäiliö on vaihdettu tai irrotettu.
ES	Prueba de fugas antes del primer uso, al menos una vez al año, y cada vez que se cambie o desconecte el tanque de gas LP.
DK	Lækage test før første gang brug, mindst en gang om året, og hver gang LP-tanken ændres eller frakobles.
NO	Lekketest før første gangs bruk, minst en gang i året, og hver gang LP-bensintanken skiftes eller kobles fra.
SK	Skúška tesnosti pred prvým použitím, najmenej raz za rok a vždy pri výmene alebo odpojení plynovej nádrže LP.
IS	Leakpróf fyrir fyrstu notkun, að minnsta kosti einu sinni á ári, og í hvert skipti sem LP-gasgeymirinn er breyttur eða aftengdur.
CZ	Zkouška těsnosti před prvním použitím, alespoň jednou za rok, a pokaždé, když je výměna nebo odpojení plynové nádrže LP.
HU	Szivárgásvizsgálat az első használat előtt, évente legalább egyszer, és minden alkalommal, amikor az LP gáztartályt megváltoztatják vagy leválasztják.
SI	Preskus tesnosti pred prvo uporabo, vsaj enkrat na leto in vsakič, ko zamenjate ali odklopite rezervoar za plin.

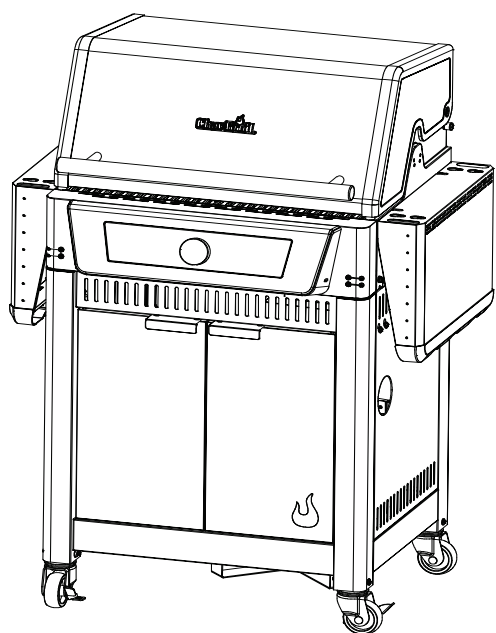
ASSEMBLY

26

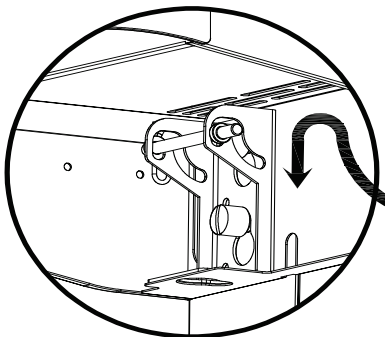


ASSEMBLY

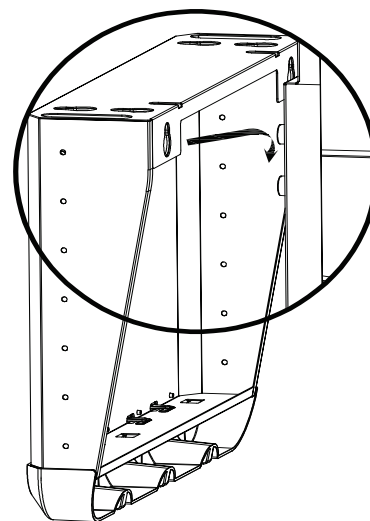
Storage • Stockage • Lagerung • Magazzinaggio • Lagring • Almacenamiento
Opbevaring • Oppbevaring • Skladovanie • Úložný prostor • Tárolás • Shranjevanje



1st



2nd



Warranty Statement

Char-Broil Europe GmbH of Paul-Dessau-Straße 8 Quartier O – 4.OG D-22761 Hamburg (Char-Broil) warrants to the PURCHASER of this Char-Broil product that it will be free of defects in material and workmanship from the date of purchase as follows:

	Barbecues
Brûleur	10 years
Cooking Grates/Emitters	5 years
All Other Parts (EURO minimum)	2 years

Char-Broil or the seller of the product may require reasonable proof of your date of purchase. **THEREFORE, YOU SHOULD RETAIN YOUR SALES RECEIPT OR INVOICE.**

[France only: All products sold by the Seller are covered by the legal warranties provided in Articles 1641 and followings of the Civil Code (warranty against hidden defects) and Articles L. 217-1 to L. 217-14 and L. 411-1 to L. 411-2 of the Consumer Code (warranty of conformity.)]

This Warranty includes the right of repair or replacement of the product or parts of the product that prove defective under normal use and service. Before returning any parts, you should promptly contact Char-Broil using the contact information on our website. In case of a defect, Char-Broil will elect to replace or repair the product or such parts without charge. Char-Broil will return the product or parts of the product to the purchaser, freight or postage prepaid. If Char-Broil elects to repair the product or such defective parts of the product and this repair fails, you are entitled, pursuant to your statutory legal rights, to reduce the purchase price or to withdraw from the contract and receive a refund.

This Warranty does not cover any failures or operating difficulties due to accident, abuse, misuse, alteration, misapplication, vandalism, improper installation or improper maintenance or service, or failure to perform normal and routine maintenance, including but not limited to damage caused by insects within the burner tubes, as set out in this owner's manual. Exceptions may apply, so please contact Char-Broil or your seller in case you have any questions on whether this Warranty applies to your specific case or not.

Deterioration or damage due to severe weather conditions such as hail, hurricanes, earthquakes or tornadoes, discoloration due to exposure to chemicals either directly or in the atmosphere, is not covered by this Warranty, and are not normally covered by your statutory legal rights.

Char-Broil is not liable for any unforeseeable losses (i.e. loss or damage that neither you nor Char-Broil or the seller contemplated at the time of purchase), or any damage caused by you, save for that Char-Broil's liability for fraud or death or personal injury caused by its negligence is not limited.

Char-Broil does not authorize any person or company to assume for it any other obligation or liability in connection with the sale, installation, use, removal, return, or replacement of its equipment; and no such representations are binding on Char-Broil.

This Warranty applies only to products sold at retail to individuals (as opposed to businesses) within the European Union.

This Warranty does not affect any of your statutory legal rights under the applicable consumer laws of your resident country.

For warranty service, contact Char-Broil at consumersupport@charbroil.eu.

Déclaration de Garantie

Char-Broil Europe GmbH of Paul-Dessau-Straße 8 Quartier O – 4.OG D-22761 Hamburg, (Char-Broil), garantit à l'ACHETEUR du présent produit Char-Broil que ce dernier sera exempt de tout défaut de matériel ou de fabrication à compter de la date de l'achat, comme suit :

	Barbecues
Brûleur	10 années
Grilles de cuisson/émetteurs	5 années
Toutes les autres pièces (EURO minimum)	2 années

Il se peut que Char-Broil ou le vendeur du produit exige une preuve raisonnable de la date de votre achat. **PAR CONSÉQUENT, VOUS DEVRIEZ CONSERVER VOTRE REÇU OU VOTRE FACTURE.**

[France seulement : Tous les produits vendus par le vendeur sont couverts par les garanties légales prévues aux articles 1641 et suivants du *Code civil* (garantie contre les défauts cachés) et aux articles L. 217-1 à L. 217-14 et L. 411-1 à L. 411-2 du *Code de la consommation* (garantie de conformité.)

La présente garantie comprend le droit à la réparation ou au remplacement du produit ou des pièces du produit qui se révèlent défectueux dans des conditions normales d'usage et d'entretien. Avant de retourner une pièce, vous êtes invité à prendre contact sans délai avec Char-Broil aux coordonnées indiquées sur notre site Web. En cas de défaut, Char-Broil décidera de remplacer ou de réparer sans frais le produit ou les pièces en question. Char-Broil retournera le produit ou les pièces à l'acheteur, frais d'expédition ou d'affranchissement prépayés. Si, après que Char-Broil a décidé de réparer le produit ou les pièces défectueuses, la réparation échoue, vous avez le droit, en vertu de vos droits légaux réglementaires, de réduire le prix d'achat ou de résilier le contrat et de vous faire rembourser.

La présente garantie ne couvre pas les défaillances ou les problèmes de fonctionnement découlant d'un accident, d'une utilisation abusive, d'une mauvaise utilisation, d'une modification, d'une application erronée, d'un acte de vandalisme, d'une mauvaise installation, d'un mauvais entretien, d'une mauvaise réparation ou du non-respect des procédures d'entretien normal et régulier, y compris notamment les dommages causés par les insectes dans les tubes des brûleurs, comme le décrit le présent mode d'emploi. Certaines exceptions peuvent s'appliquer. Veuillez donc prendre contact avec Char-Broil ou avec votre vendeur si vous vous demandez si la présente garantie couvre votre cas particulier ou non.

La détérioration ou les dommages causés par les conditions climatiques particulièrement rigoureuses, comme la grêle, les ouragans, les séismes ou les tornades, ainsi que la décoloration due à l'exposition à des substances chimiques, soit directement, soit dans l'atmosphère, ne sont pas couverts par la présente garantie, et ne sont normalement pas visés par vos droits légaux réglementaires.

Char-Broil n'est pas responsable des pertes imprévues (c'est-à-dire les pertes ou les dommages que ni vous, ni Char-Broil, ni le vendeur n'avez envisagés au moment de l'achat) ou de tout dommage dont vous êtes la cause, à ceci près que la responsabilité de Char-Broil pour fraude, décès ou dommage corporel causés par sa négligence n'est pas limitée.

Char-Broil n'autorise aucun particulier ni aucune société à assumer en son nom toute autre obligation ou responsabilité relativement à la vente, à l'installation, à l'utilisation, à l'élimination, au retour ou au remplacement de son équipement; aucune déclaration à cet effet ne lie Char- Broil.

La présente garantie ne concerne que les produits vendus au détail à des particuliers (et non à des sociétés) au sein de l'Union européenne.

La présente garantie n'a aucune incidence sur les droits légaux réglementaires qui vous sont octroyés par les lois sur la consommation en vigueur dans votre pays de résidence.

Pour demander un service sous garantie, prenez contact avec Char-Broil à l'adresse consumersupport@charbroil.eu

Gewährleistungserklärung

Char-Broil Europe GmbH of Paul-Dessau-Straße 8 Quartier O – 4.OG D-22761 Hamburg, (Char-Broil) gewährleistet gegenüber dem KÄUFER dieses Char-Broil-Produktes, dass es ab dem Verkaufsdatum frei von Materials-und Verarbeitungsfehlern sein wird, wie im Folgenden dargestellt:

	Grills
Brenner	10 Jahre
Grillroste/Emitter	5 Jahre
Alle anderen Teile (EURO Minimum)	2 Jahre

Char-Broil oder der Händler des Produkts werden eventuell angemessenen Nachweis Ihres Kaufsdatums verlangen. DESHALB SOLLTEN SIE IHREN KAUFBELEG ODER IHRE RECHNUNG AUFBEWAHREN.

Diese Gewährleistung umfasst das Nachbesserungsrecht oder Ersetzungsrecht des Produktes oder der Teile des Produktes, die sich bei normalem Gebrauch und Anwendung als mangelhaft erweisen. Vor der Rücksendung jedweder Teile sollten Sie sich unverzüglich mit Char-Broil unter Nutzung der Kontaktinformationen auf unserer Website in Verbindung setzen. Im Falle eines Herstellungsfehlers wird Char-Broil das Produkt oder die entsprechenden Teile ohne Berechnung entweder ersetzen oder nachbessern. Char-Broil wird das Produkt oder die Ersatzteile für das Produkt an den Käufer zurücksenden, wobei Fracht oder Porto im Voraus bezahlt wird. Falls Char-Broil die Entscheidung trifft, das Produkt oder die entsprechenden Teile nachzubessern und die Reparatur fehlschlägt, sind Sie gemäß Ihrer rechtlichen Ansprüche dazu berechtigt, den Kaufspreis zu vermindern oder vom Vertrag zurückzutreten und eine Rückvergütung zu erhalten.

Die Gewährleistung erstreckt sich nicht auf Versagen oder Bedienungsschwierigkeiten infolge von Unfällen, Missbrauch, Fehlanwendung, Abänderung, falscher Verwendung, mutwilliger Beschädigung, unsachgemäßer Installation oder unsachgemäßer Instandhaltung oder Betrieb, oder Unterlassen normaler und routinemäßiger Instandhaltung, einschließlich, aber nicht beschränkt auf, durch Insekten im Inneren der Brennrohre verursachte Schäden, wie in dieser Bedienungsanleitung dargelegt. Ausnahmen können vorkommen, darum bitten wir Sie, Char-Broil oder Ihren Händler zu kontaktieren, falls Sie irgendwelche Fragen darüber haben, ob diese Gewährleistung auf Ihren speziellen Fall zutrifft oder nicht.

Zerfall oder Schaden, die durch extreme Witterungsbedingungen wie Hagel, Orkane, Erdbeben oder Tornados, Verfärbung durch Exposition gegenüber chemischen Stoffen, entweder direkt oder atmosphärisch bedingt, verursacht werden, sind durch diese Gewährleistung nicht gedeckt und sind normalerweise nicht durch zutreffende rechtliche Ansprüche gedeckt.

Char-Broil übernimmt keine Verantwortung für irgendwelche unvorhergesehenen Verluste (z. B. Verlust oder Schaden, die weder Sie noch Char-Broil noch der Händler zum Zeitpunkt des Kaufs voraussahen), oder irgendeinen von Ihnen verursachten Schaden, mit Ausnahme der Tatsache, dass die Haftung von Char-Broil für Betrug oder durch ihre Nachlässigkeit verursachten Todesfall oder Verletzungen nicht beschränkt ist.

Char-Broil erteilt keiner anderen Person oder Firma die Vollmacht, für sie irgendwelche anderen Verpflichtungen oder Haftungen im Zusammenhang mit dem Verkauf, der Installation, des Gebrauchs, der Entfernung, Rücksendung, oder des Ersetzens ihrer Geräte zu übernehmen, und keine diesbezüglichen Erklärungen sind für Char-Broil verbindlich.

Diese Gewährleistung hat nur auf im Einzelhandel an Privatpersonen (im Gegensatz zu Unternehmen) innerhalb der Europäischen Union verkaufte Produkte Anwendung.

Diese Gewährleistung berührt keine Ihrer rechtlichen Ansprüche unter den in Ihrem Wohnsitzland geltenden Verbraucherrechten.

Zur Inanspruchnahme von Garantieleistungen kontaktieren Sie Char-Broil unter consumersupport@charbroil.eu

Dichiarazione di garanzia per Char-Broil

Char-Broil Europe GmbH of Paul-Dessau-Straße 8 Quartier O – 4.OG D-22761 Hamburg, (Char-Broil) garantisce all'ACQUIRENTE di questo prodotto Char-Broil che lo stesso sarà privo di difetti, per quanto riguarda materiali e lavorazione, per i seguenti periodi a partire dalla data di acquisto:

	Barbecue
Bruciatore	10 anni
Griglie/emettitori di cottura	5 anni
Tutte le altre parti (minimo EURO)	2 anni

Char-Broil e il venditore del prodotto potranno richiedere una prova certa della data di acquisto. **VI PREGHIAMO PERTANTO DI CONSERVARE LO SCONTRINO O LA FATTURA.**

[France only: All products sold by the Seller are covered by the legal warranties provided in Articles 1641 and followings of the Civil Code (warranty against hidden defects) and Articles L. 217-1 to L. 217-14 and L. 411-1 to L. 411-2 of the Consumer Code (warranty of conformity.)

Questa Garanzia comprende il diritto alla riparazione o sostituzione del prodotto o delle parti dello stesso che presentano difetti alle normali condizioni d'uso e manutenzione. Prima di restituire qualsiasi parte, vi preghiamo di contattare quanto prima Char-Broil ai numeri e indirizzi riportati nel nostro sito web. In caso di difetto, Char-Broil deciderà se sostituire o riparare gratuitamente il prodotto o le parti in questione. Char-Broil restituirà il prodotto o le parti dello stesso all'acquirente, spese di spedizione o affrancatura prepagate. Qualora Char-Broil scelga di riparare il prodotto o le parti difettose dello stesso e la riparazione non dia il risultato previsto, avrete il diritto, in virtù dei diritti legali previsti per legge, di ottenere una riduzione del prezzo d'acquisto o di recedere dal contratto e ottenere il rimborso.

Questa Garanzia non copre guasti o problemi di funzionamento determinati da incidenti, uso improprio, errato o scorretto, modifiche, atti di vandalismo, installazione scorretta, manutenzione o assistenza errata o mancata esecuzione delle operazioni di manutenzione normali e di routine, inclusi, senza carattere limitativo, i danni causati da insetti all'interno dei tubi dei fornelli, come descritto in questo manuale d'istruzioni. Tuttavia possono esservi delle eccezioni. Vi preghiamo pertanto di contattare Char-Broil o il venditore per sapere se la Garanzia è applicabile o meno al vostro caso particolare.

Deterioramenti o danni causati da condizioni meteorologiche avverse, quali grandine, uragani, terremoti o trombe d'aria, e lo scolorimento dovuto all'esposizione a sostanze chimiche, per contatto diretto o presenza nell'atmosfera, non sono coperti da questa Garanzia e non sono normalmente coperti dai diritti legali previsti per legge.

Char-Broil non è responsabile per perdite non prevedibili (cioè perdite o danni non contemplati da voi, da Char-Broil o dal venditore al momento dell'acquisto) o per danni causati da voi, fermo restando che la responsabilità di Char-Broil in caso di frode, morte o lesioni personali causate da negligenza da parte sua è illimitata.

Char-Broil non autorizza persone o società ad assumere ulteriori obblighi o responsabilità in suo nome, in relazione alla vendita, installazione, utilizzo, rimozione, restituzione, o sostituzione dell'apparecchio; qualsiasi dichiarazione in tal senso non è vincolante per Char-Broil.

Questa garanzia è valida solo per i prodotti venduti al dettaglio a privati (non a imprese) all'interno dell'Unione europea.

Questa Garanzia non pregiudica i diritti legali previsti dai codici del consumo vigenti nel vostro paese di residenza.

Per l'assistenza in garanzia, contattate Char-Broil all'indirizzo consumersupport@charbroil.eu

Utkast av garantibeskrivning för Char-Broil

Char-Broil Europe GmbH of Paul-Dessau-Straße 8 Quartier O – 4.OG D-22761 Hamburg, (Char-Broil)garanterar KÖPAREN av denna produkt från Char-Broil att den kommer vara fri från brister i material och utförande från inköpsdatumet på följande sätt:

	Grillar
Brännare	10 år
Matlagningsgaller/sändare	5 år
All Other Parts (EURO minimum)	2 år

Char-Broil eller säljaren av denna produkt kan kräva ett giltigt bevis av ditt inköpsdatum. **DÄRFÖR SKA DU SPARA DITT KVITTO ELLER FAKTURA.**

[France only: All products sold by the Seller are covered by the legal warranties provided in Articles 1641 and followings of the Civil Code (warranty against hidden defects) and Articles L. 217-1 to L. 217-14 and L. 411-1 to L. 411-2 of the Consumer Code (warranty of conformity.)

Denna garanti omfattar rätten att reparera eller byta ut produkten eller delar av produkten som visar sig vara defekta vid normal användning och service. Innan du returnerar delar ska du omedelbart kontakta Char-Broil med hjälp av kontaktinformationen på vår webbplats. I händelse av en defekt produkt avgör Char-Broil om produkten ska ersättas eller repareras, kostnadsfritt. Char-Broil returnerar produkten eller delarna av produkten till köparen med förbetald frakt eller porto. Om Char-Broil väljer att reparera produkten, eller defekta delar av produkten, och denna reparation misslyckas har du rätt, i enlighet med dina lagstadgade rättigheter, att minska inköpspriset eller upphäva avtalet och erhålla en återbetalning.

Denna garanti täcker inte fel eller besvär under användning som har uppkommit på grund av en olyckshändelse, missbruk, felanvändning, ändring, felaktig användning, vandalism, felaktig installation eller felaktigt underhåll eller skötsel, eller underlåtenhet att utföra standard- och rutinunderhåll, inklusive men inte begränsat till skador orsakade av insekter i brännrören, enligt beskrivningen i denna bruksanvisning. Undantag kan gälla, var god kontakta Char-Broil eller din säljare om du har några frågor om huruvida denna garanti gäller för ditt specifika fall eller ej.

Förfall eller skador som uppkommit på grund av allvarliga väderhållanden som hagel, orkaner, jordbävningar eller tromber, missfärgning på grund av exponering av kemikalier, antingen direkt eller i atmosfären, omfattas inte av denna garanti och är normalt inte omfattad av dina lagstadgade juridiska rättigheter.

Char-Broil är inte ansvarig för eventuella oförutsedda förluster (dvs. förluster eller skador som varken du, Char-Broil eller säljaren beskådat vid inköpstillfället), eller skador som orsakats av dig, förutom Char-Broils ansvar för bedrägeri, dödsfall eller personskada orsakad av vårdslöshet.

Char-Broil tillåter inte någon person eller företag att påta sig någon skyldighet eller ansvar i samband med försäljning, installation, användning, borttagning, returnering eller byte av utrustning, och inga sådana framställningar är bindande för Char-Broil.

Denna garanti gäller endast produkter som säljs i detaljhandeln till privatpersoner (i motsats till företag) inom den Europeiska unionen.

Denna garanti påverkar inte dina lagstadgade juridiska rättigheter enligt de gällande konsumentlagarna i ditt hemland.

För garantiservice, kontakta Char-Broil på consumersupport@charbroil.eu

Declaración de garantía premilinar de Char-Broil

Char-Broil Europe GmbH of Paul-Dessau-Straße 8 Quartier O – 4.OG D-22761 Hamburg, (Char-Broil) garantiza al comprador de este producto de Char-Broil que estará libre de defectos en material y mano de obra a partir de la fecha de compra como sigue:

	Barbacoas
Quemador	10 años
Parrillas de cocción/Emisores	5 años
Todas las demás piezas (mínimo EURO)	2 años

Char-Broil o el vendedor del producto podría requerir de una prueba razonable de LA FECHA DE COMPRA. **POR LO TANTO, USTED DEBE GUARDAR EL RECIBO DE VENTA O FACTURA.**

[France only: All products sold by the Seller are covered by the legal warranties provided in Articles 1641 and followings of the Civil Code (warranty against hidden defects) and Articles L. 217-1 to L. 217-14 and L. 411-1 to L. 411-2 of the Consumer Code (warranty of conformity.)

La presente Garantía incluye el derecho de reparación o reemplazo del producto o piezas del producto que resultasen defectuosas bajo un uso y servicio normales. Antes de devolver las piezas, debe comunicarse inmediatamente con Char-Broil utilizando la información de contacto en nuestro sitio web. En caso de defecto, Char-Broil elegirá reemplazar o reparar el producto o dichas piezas sin costo alguno. Char-Broil devolverá el producto o piezas del producto al comprador, bajo la modalidad de flete o porte prepagado. Si elige que Char-Broil repare el producto o esas piezas defectuosas del producto y esa reparación no es adecuada, usted tiene derecho, en virtud de sus derechos estatutarios, a reducir el precio de compra o a rescindir el contrato y recibir un reembolso.

Esta Garantía no cubre fallas o dificultades de funcionamiento por accidente, abuso, mal uso, alteración, aplicación indebida, vandalismo, instalación inadecuada, mantenimiento o reparación indebido, o realización del mantenimiento normal y de rutina, lo que incluye pero no se limita a daños causados por insectos dentro de los tubos del quemador, como se establece en este manual del propietario. Algunas excepciones podrían aplicar, póngase en contacto con Char-Broil o con el vendedor en caso de tener dudas sobre si esta garantía se aplica a su caso específico o no.

El deterioro o daños debido a condiciones climáticas extremas tales como granizo, huracanes, terremotos o tornados, la decoloración debido a la exposición a productos químicos ya sea directamente o en la atmósfera, no están cubiertos por esta Garantía y normalmente no están cubiertos por sus derechos estatutarios.

Char-Broil no es responsable por ninguna pérdida imprevisible (es decir, pérdida o daño que ni usted ni Char-Broil o el vendedor pudiese haber contemplado en el momento de la compra), o cualquier daño causado por usted, salvo la responsabilidad de Char-Broil por fraude, muerte o daños personales causados por su negligencia.

Char-Broil no autoriza a ninguna persona o empresa a asumir cualquier otra obligación o responsabilidad con respecto a la venta, instalación, uso, retiro, devolución o reemplazo de sus equipos; y ninguna de esas declaraciones son vinculantes para Char-Broil.

Esta Garantía sólo se aplica a productos vendidos al por menor a particulares (y no a empresas) dentro de la Unión Europea.

Esta garantía no afecta ninguno de sus derechos estatutarios bajo las leyes del consumidor aplicables de su país residente.

Para el servicio de garantía, póngase en contacto con Char-Broil en consumersupport@charbroil.eu

Garantierklæring

Char-Broil Europe GmbH of Paul-Dessau-Straße 8 Quartier O – 4.OG D-22761 Hamburg, (Char-Broil) garanterer køberen af dette Char-Broil produkt er uden materielle eller fabrikationsfejl som anvist:

	Grill
Brænder	10 flere år
Tilberedning af riste/emittere	5 flere år
Alle andre dele (EURO minimum)	2 flere år

Både Char-Broil og sælger af produktet kan opkræve et rimeligt bevis for købsdatoen. **DERFOR SKAL DU BEHOLDE DIN KVITTERING ELLER FAKTURA.**

Garantien omfatter retten til reparation eller udskiftning af produktet eller dele af produktet, som kan bevises at være defekt ved normal brug og service. Før du returnere delene, skal du straks kontakte Char-Broil. Du finder kontaktoplysningerne på vores hjemmeside. I tilfælde af fejl, vil Char-Broil erstatte eller reparere produktet eller delene uden beregning. Char-Broil vil returnere produktet eller dele af produktet til køberen, efter forudbetalt fragt eller porto. Hvis Char-Broil vælger at reparere produktet eller de defekte dele af produktet og denne reparation mislykkes, har du ret til, i henhold til dine lovbestemte juridiske rettigheder, at reducere købsprisen eller at fortryde aftalen og blive refunderet.

Denne garanti dækker ikke svigt eller driftsvanskeligheder på grund af uheld, misbrug, ændring, fejlagtig anvendelse, vandalisme, forkert installation eller vedligeholdelse eller service, eller manglende evne til at opfylde normal og rutinemæssig vedligeholdelse, herunder men ikke begrænset til skader forårsaget af insekter i brænderør, som angivet i denne ejers brugervejledning. Ved undtagelser, venligst kontakt Char-Broil eller din sælger, hvis du har spørgsmål om, hvorvidt denne garanti gælder for din konkrete sag eller ej.

Foringelse eller skader som følge af vanskelige vejrforhold såsom hagl, orkaner, jordskælv eller tornadoer, misfarvning som følge af udsættelse for kemikalier, enten direkte eller i atmosfæren, er ikke omfattet af denne garantiforsikring, og er normalt ikke dækket af dine lovmæssige rettigheder .

Char-Broil er ikke ansvarlig for eventuelle uforudsete tab (dvs. tab eller skader, som hverken du, Char-Broil eller sælger har overvejet på købstidspunktet), eller eventuelle skader du kan have forårsaget, med undtagelse af, at Char-Broils ansvar er ubegrænset over for bedrageri, dødsfald eller personskade forårsaget af uagtsomhed.

Char-Broil tillader ikke, at hverken en person eller virksomhed påtager sig nogen andre forpligtelser eller ansvar i forbindelse med salg, installation, brug, fjernelse, returnering eller udskiftning af sit udstyr; og sådanne repræsentationer er ikke bindende for Char-Broil.

Denne GARANTI er kun gældende for produkter, der sælges i detailhandlen til enkeltpersoner (i modsætning til virksomhederne) i den Europæiske Union.

Denne garanti påvirker ikke nogen af dine lovbestemte juridiske rettigheder i henhold til gældende forbrugerlovgivning i dit hjemland.

For garantiservice bør du kontakte Char-Broil på consumersupport@charbroil.eu

Utkast til garantierklæring for Char-Broil

Char-Broil Europe GmbH of Paul-Dessau-Straße 8 Quartier O – 4.OG D-22761 Hamburg, (Char-Broil) garanterer overfor KJØPEREN av dette Char-Broil-produktet at det skal være fritt for feil i materialer og utførelse fra følgende kjøpsdato:

	Griller
Brenner	10 år
Matlagingsrister/emittere	5 år
Alle andre deler (minimum EURO)	2 år

Char-Broil eller selgeren av dette produktet kan kreve rimelige dokumentasjon på kjøpsdatoen. **DERFOR BØR DU TA VARE PÅ KVITTERINGEN ELLER FAKTUREAN.**

[France only: All products sold by the Seller are covered by the legal warranties provided in Articles 1641 and followings of the Civil Code (warranty against hidden defects) and Articles L. 217-1 to L. 217-14 and L. 411-1 to L. 411-2 of the Consumer Code (warranty of conformity.)

Denne garantien omfatter rett til reparasjon eller erstatning av produktet eller deler av produktet dersom det viser seg å ha feil ved normalbruk og service. Før du returnerer deler, må du omgående kontakte Char-Boil ved hjelp av kontaktopplysningene på nettsidene våre. Dersom det påvises feil, vil Char-Broil velge å enten erstatte eller reparere produkter eller de mangelfulle delene, uten kostnad. . Char-Broil vil returnere produktet eller deler av produktet til kjøperen, med forhåndsbefalt frakt eller porto. Hvis Char-Broil velger å reparere produktet eller produktets defekte deler, og hvis slik reparasjon ikke lykkes, har du rett til, i henhold til dine juridiske rettigheter, å redusere kjøpesummen eller trekke deg fra kontrakten og få refundert beløpet.

Denne garantien dekker ikke feil eller driftsvansker som skyldes uhell, misbruk, feilbruk, endringsarbeid, hærverk eller feil montering, vedlikehold eller service, eller manglende utførelse av vanlig og rutinemessig vedlikehold, inkluder, men ikke begrenset til, skade som skyldes insekter i brennerrørene, som forklart i denne brukerhåndboken. Det kan finnes unntak, kontakt derfor Char-Broil eller forhandleren dersom du ikke er sikker på om denne garantien gjelder i nettopp ditt tilfelle eller ikke.

Forringelse eller skade som skyldes vanskelige værforhold som f.eks. hagl, orkan, jordskjelv eller tornado, misfarging som skyldes kjemikalieeksponering, enten direkte eller i atmosfæren, dekkes ikke av denne garantien og dekkes vanligvis heller ikke av dine lovfestede rettigheter.

Char-Broil er ikke ansvarlig for eventuelle uforutsette tap (dvs. tap eller skade som verken du eller Char-Broil forutså på kjøpstidspunktet) eller for skade forårsaket av deg, fortsett fra at Char-Broils skadeansvar for svindel, død eller personskade som skyldes uaktsomhet fra Char-Broils side ikke er begrenset.

Char-Broil tillater ingen personer eller bedrifter å påta seg forpliktelser eller ansvar for selskapet i forbindelse med salg, montering, bruk, fjerning, retur eller utskifting av selskapets utstyr, og ingen slike fremføringer skal være bindende for Char-Broil.

Denne garantien gjelder kun for produkter som selges gjennom detaljhandel til enkeltpersoner (ikke til bedrifter) innenfor EU.

Denne garantien påvirker ingen av dine lovpålagte juridiske rettigheter under gjeldende forbrukerlover i ditt bostedsland.

For garantiservice kan du kontakte Char-Broil på consumersupport@charbroil.eu

Záručného Vyhlásenia

Char-Broil Europe GmbH of Paul-Dessau-Straße 8 Quartier O – 4.OG D-22761 Hamburg, (Char-Broil) poskytuje NADOBÚDATEĽOVI dňom zakúpenia tohto výrobku značky Char-Broil nasledujúcu záruku, že nebude mať závady materiálu a spracovania nasledovne:

	Grily
Horák	10 rokov
Varné rošty/žiarice	5 rokov
Všetky ostatné diely (minimálne EURO)	2 rokov

Spoločnosť Char-Broil alebo predajca tohto výrobku môže požadovať dôkaz o dátume jeho zakúpenia. **PRETO BY STE SI MALI ÚČTENKU ALEBO FAKTÚRU PONECHAŤ.**

Táto záruka zahŕňa nárok na opravu alebo výmenu výrobku alebo jeho častí, ktoré sa preukážu ako závadné pri normálnom používaní a činnosti výrobku. Pred vrátením ktorejkoľvek časti použite kontaktné informácie na našej internetovej stránke a urýchlene kontaktujte spoločnosť Char-Broil. V prípade závady spoločnosť Char-Broil podľa vlastnej úvahy bezplatne buď vymení alebo opraví výrobok alebo jeho časti. Spoločnosť Char-Broil vráti výrobok alebo jeho časti zákazníkovi a uhradí prepravu a poštovné. Ak sa spoločnosť Char-Broil rozhodne opraviť výrobok alebo jeho závadné časti a oprava nepomôže, budete mať na základe práv vyplývajúcich zo zákona nárok na zníženie kúpnej ceny alebo odstúpenie od zmluvy a preplatenie kúpnej ceny.

Táto záruka sa nevzťahuje na závady a poruchovú činnosť výrobku v dôsledku nehody, zlého zaobchádzania a nesprávneho používania výrobku, jeho pozmenenia, nesprávnej aplikácie, vandalizmu, nesprávnej montáže alebo neprimeranej údržby alebo servisu, alebo neposkytnutia normálnej alebo rutínnej údržby vrátane poškodenia spôsobeného hmyzom vo vnútri trúbok horáka a iného poškodenia ako sa uvádza v Návode na používanie. Môžu platiť určité výnimky, preto v prípade akýchkoľvek otázok v súvislosti s platnosťou tejto záruky vo vašom konkrétnom prípade sa obráťte na spoločnosť Char-Broil alebo vášho predajcu.

Schátranie alebo poškodenie v dôsledku extrémnych klimatických podmienok ako je krupobitie, hurikány, zemetrasenia alebo tornáda, vyblednutie v dôsledku vystavenia chemikáliám alebo či už priamo alebo v ovzduší, táto záruka nepokrýva a zvyčajne sa na ne nevzťahujú ani vaše práva vyplývajúce zo zákona.

Spoločnosť Char-Broil nie je zodpovedná za žiadne nepredvídateľné straty (t.j. stratu alebo poškodenie, ktoré ste vy, spoločnosť Char-Broil alebo predajca v čase kúpy nebrali do úvahy), ani za vami spôsobené poškodenie s výnimkou právnej zodpovednosti spoločnosti Char-Broil v prípade podvodu, smrti alebo úrazu osôb spôsobených jej nebalosťou.

Spoločnosť Char-Broil neopravňuje žiadnu osobu alebo spoločnosť prevziať na seba v mene spoločnosti Char-Broil žiadne iné záväzky alebo zodpovednosť v súvislosti s predajom, montážou, používaním, demontážou, vrátením alebo výmenou jej zariadenia a uvedené zastupovanie nie je pre spoločnosť Char-Broil záväzné.

Táto záruka sa vzťahuje výlučne na výrobky predávané jednotlivcom v maloobchodnej sieti (na rozdiel od veľkoobchodu) v rámci Európskej únie.

Táto záruka nemá dopad na vaše práva vyplývajúce zo spotrebiteľských zákonov krajiny vášho pobytu.

Svoju žiadosť o servis v rámci záruky zašlite spoločnosti Char-Broil na emailovú adresu consumersupport@charbroil.eu

Záručního Listu

Char-Broil Europe GmbH of Paul-Dessau-Straße 8 Quartier O – 4.OG D-22761 Hamburg, (Char-Broil) zaručuje kupujícímu tohoto produktu Char-Broil, že na něm nebudou závady, ani na materiálu ani provedení, od data koupě, následovně:

	Grily
Hořák	10 let
Varné rošty/Emitory	5 let
Všechny ostatní díly (minimum EURO)	2 let

Char-Broil nebo prodejce produktu může požadovat důkaz s datem koupě. **PROTO, SI VŽDY SCHOVEJTE ÚČTENKU, POKLADNÍ LÍSTEK NEBO FAKTURU.**

Tato Záruka zahrnuje právo na opravu nebo náhradu výrobku nebo jeho součástí, které se ukážou jako závadné při normálním používání nebo údržbě. Před reklamací jakékoli součástky ihned kontaktujte Char-Broil podle údajů uvedených na naší webové stránce. Jde-li o závadu, Char-Broil rozhodne, zda produkt nebo dané součástky vymění nebo opraví zdarma. Char-Broil vrátí produkt nebo jeho součástky zákazníkovi a dopravní náklady nebo poštovné budou uhrazeny. Pokud se Char-Broil rozhodne produkt nebo dané závadné součástky opravit a tato oprava se nepodaří, máte v souladu se zákonem nárok na sníženou kupní cenu nebo právo ustoupit od kupní smlouvy a požadovat vrácení peněz.

Tato Záruka se nevztahuje na selhání nebo provozní potíže, které jsou následkem nehody, špatného používání či zacházení, pozměnění, nesprávného používání, vandalismu, nesprávné instalace, nesprávné údržby nebo servisu, nebo následkem neplnění normální a pravidelné údržby, zahrnující mimo jiné hmyzem způsobené škody na vnitřních trubičkách hořáků, jak je popsáno v této příručce pro uživatele. Mohou platit výjimky, proto kontaktujte Char-Broil nebo prodejce s dotazy, jestli tato Záruka platí ve vašem konkrétním případě nebo ne.

Zchátrání nebo poškození následkem drsného počasí jako např. kroupy, uragán, zemětřesení nebo tornáda, vyblednutí způsobené přímým vystavením chemikáliím nebo látkami obsaženými ve vzduchu, tato Záruka nekryje a neplatí zde běžná ochrana podle zákona.

Char-Broil nenes zodpovědnost za žádné nepředvídatelné ztráty (tj. ztráty nebo škody, o kterých jste vy ani Char-Broil ani prodejce neuvažovali v době koupě), ani za škody, které jste způsobil(a) vy, s výjimkou, že odpovědnost firmy Char-Broil za podvod, smrt nebo úraz, způsobené její nedbalostí není omezená.

Firma Char-Broil neopravňuje žádnou jinou osobu nebo společnost k tomu, aby za ni převzala jakoukoli jinou povinnost nebo zodpovědnost ve spojitosti s prodejem, s instalací, s odstraněním, s používáním, s reklamací, s vrácením nebo s výměnou svého vybavení, a žádná taková prohlášení nejsou pro Char-Broil závazná.

Tato Záruka se vztahuje pouze na výrobky prodané v maloobchodě jednotlivcům (nikoliv podnikům) v Evropské Unii.

Tato Záruka nijak neovlivňuje vaše zákonem daná práva v souladu s platnými zákony o ochraně spotřebitelů ve státě vašeho bydliště.

V případě potřeby zárukou daného servisu se obraťte na Char-Broil na consumersupport@charbroil.eu

Jótállási nyilatkozat

Char-Broil Europe GmbH of Gasstraße 6 - Haus L 4 Obergeschoß, D-22761 Hamburg, (Char-Broil) a Char-Broil termék PURCHASER-jét garántálja, hogy a vásárlás napjától az anyag és a gyártás hibáiból mentes, az alábbiak szerint:

	Grillsütők
Égő	10 évek
Főzési rácsok/sugárzók	5 évek
Minden egyéb alkatrész (EURO minimum)	2 évek

A Char-Broil vagy a termék eladója megkövetelheti a vásárlás dátumának ésszerű bizonyítékát. **Ezért az eladásaidat vagy a számláját el kell távolítani.**

Ez a jótállás magában foglalja a termék vagy a termék részei javításának vagy cseréjének jogait, amelyek rendeltetészerű használata és szervizelése során hibásnak bizonyulnak. Mielőtt bármilyen részre visszatérne, azonnal kapcsolatba kell lépnie a Char-Broil céggel a weboldalunkon található elérhetőségi adatok segítségével. Hiány esetén a Char-Broil megvásárlja a terméket vagy az ilyen alkatrészeket díjmentesen. A Char-Broil visszaadja a terméket vagy a termék részeit a vevőnek, az áruszállításnak vagy a postaköltségnek. Ha a Char-Broil úgy dönt, hogy javítja a terméket vagy a termék hibás alkatrészeit, és ez a javítás sikertelen, akkor a törvényes joga szerint Ön jogosult a vételár csökkentésére vagy a szerződéstől való visszavonásra és visszatérítés megszerzésére.

Ez a garancia nem terjed ki a balesetek, visszaélések, visszaélések, változtatások, helytelen alkalmazások, vandalizmus, helytelen beszerelés vagy helytelen karbantartás vagy szervizelés, illetve a normál és a szokásos karbantartás elmulasztása miatti hibák vagy működési nehézségek, beleértve, de nem kizárólag a rovarok által okozott károkat az égőcsöveken belül, az ebben a kezelési útmutatóban leírtak szerint. Kivételtől eltekintve, ezért kérjük, forduljon a Char-Broil-hez vagy az eladójához, ha bármilyen kérdése van-e arra vonatkozóan, hogy ez a garancia vonatkozik-e az adott esetre, vagy sem.

A garancia nem vonatkozik a súlyos időjárási viszonyok - mint például a jégeső, a hurrikánok, a földrengések vagy a tornádók miatt bekövetkező romlásra, károsodásra, a közvetlenül vagy a légkörben lévő vegyi anyagoknak való kitettség miatt fellépő elszíneződésre, és ezeket rendszerint nem a törvényes jogaik fedezik.

A Char-Broil nem vállal felelősséget bármely olyan előre nem látható veszteségért (azaz veszteségért vagy kárért, amelyet sem Ön, sem a Char-Broil vagy az eladó a vásárláskor nem számolt), vagy az Ön által okozott károkért, kivéve a Char-Broil csalásért vagy felelősségéért a halál vagy a személyi sérülés okozta hanyagság nem korlátozott.

Char-Broil does not authorize any person or company to assume for it any other obligation or liability in connection with the sale, installation, use, removal, return, or replacement of its equipment; and no such representations are binding on Char-Broil.

Ez a garancia kizárólag az Európai Unió belüli magánszemélyeknek (a vállalkozásokkal ellentétben) értékesített termékekre vonatkozik.

Ez a garancia nem érinti a rezidens ország vonatkozó fogyasztóvédelmi jogszabályai szerinti törvényi jogait.

A jótállási szervizhez forduljon Char-Broil-hez consumersupport@charbroil.eu

Garancijska izjava

Char-Broil Europe GmbH, Paul-Dessau-Straße 8 Quartier O – 4.OG D22761- Hamburg (Char-Broil) jamči KUPCU tega izdelka Char-Broil, da bo izdelek brez napak v materialu in izdelavi od datuma nakupa dalje, kot sledi:

	Žari
Gorilnik	10 leta
Kuhalne rešetke/oddajniki	5 leta
Vsi drugi deli (najmanj EUR)	2 leta

Char-Broil ali prodajalec lahko zahteva primerno dokazilo o nakupu. **ZATO SHRANITE SVOJ RAČUN ALI DOBAVNICO.**

[**Samo za Francijo:** Za vse izdelke, ki jih prodaja prodajalec, velja zakonsko določena garancija, opisana v 1641. in sledečih členih Civilnega zakonika (garancija za skrite napake) in v členih L. 1-217 do L. 14-217 in L. 1-411 do L. 2-411 Potrošniškega zakonika (garancija o skladnosti).]

Ta garancija vključuje pravico do popravila ali zamenjave izdelka ali delov izdelka, ki se izkažejo za okvarjene med normalno uporabo in obratovanjem. Pred vračanjem delov se nemudoma povežite z družbo Char-Broil prek informacij za stik, ki jih najdete na naši spletni strani. V primeru okvare se družba Char-Broil lahko odloči, da brezplačno zamenja ali popravi izdelek ali del izdelka.

Družba Char-Broil bo vrnila izdelek ali dele izdelka kupcu s predhodno plačano dostavo ali poštnino. Če se družba Char-Broil odloči popraviti izdelek ali okvarjene dele izdelka in to popravilo ne uspe, ima kupec pravico, v skladu z zakonitimi pravicami, da zahteva zmanjšanje nakupne cene ali prekinitve pogodbe z zahtevo po vračilu kupnine.

Ta garancija ne zajema napak ali težav pri uporabi zaradi nezgod, zlorab, napačne uporabe, spreminjanja naprave, uporabe v neskladju s predvidenim namenom, vandalizma, nepravilne namestitve ali nepravilnega vzdrževanja in servisiranja ali neizvajanja običajnega in rutinskega vzdrževanja, vključno a ne omejeno na škodo, povzročeno zaradi žuželk v ceveh gorilnikov, kot je to opisano v tem uporabniškem priročniku. Lahko veljajo tudi izjeme, zato se v primeru kakršnih koli vprašanj obrnite na družbo Char-Broil ali vašega prodajalca, ali v vašem specifičnem primeru garancija velja ali ne.

Pomanjkljivosti ali poškodbe zaradi vremenskih neprilik, kot so toča, orkanski veter, potresi ali tornadi, razbarvanje zaradi izpostavljenosti kemičnim snovem neposredno ali snovem v atmosferi, zakonske pravice običajno ne zajemajo.

Družba Char-Broil ni odgovorna za nepredvidene izgube (t.j. izgube, ki jih niti kupec niti družba Char-Broil ali proizvajalec ni mogel predvideti ob času nakupa) ali kakršno koli škodo, ki jo povzroči kupec sam, niti družba Char-Broil ne odgovarja za primer prevare, smrti ali telesne poškodbe, nastalih zaradi malomarnosti.

Družba Char-Broil ne pooblašča nobene fizične ali pravne osebe za prevzem kakršne koli obveznosti ali odgovornosti v zvezi s prodajo, namestitvijo, uporabo, odstranjevanjem, vračilom ali zamenjavo svoje opreme, obenem takšno predstavljanje za Char-Broil ni zavezujoče.

Garancija velja samo za izdelke, prodane maloprodajno individualnim kupcem (in ne poslovnim kupcem) znotraj Evropske Unije. Garancija ne vpliva na nobeno od vaših zakonskih pravic v skladu z veljavno potrošniško zakonodajo v vaši državi. Za vse garancijske zahtevke se obrnite na družbo Char-Broil na naslov consumersupport@charbroil.eu

Char-Broil®

GB	NOTE: This information is a guide only. Items included in your BBQ specification may differ depending on region or specific dealer specification.	All specifications are subject to change without notice.
CH, FR	NOTE: Ces renseignements sont donnés à titre indicatif. Il est possible que les articles inclus dans les spécifications de votre barbecue diffèrent selon la région ou les caractéristiques stipulées par le concessionnaire.	Toutes les caractéristiques sont susceptibles d'être modifiées.
LU, AT, CH, DE	ANMERKUNG: Diese Anleitung dient nur zu Informationszwecken. Einzelteile der Grillspezifikation sind unter Umständen verschieden entsprechend der Vertiebsegen oder bestimmten Händleranforderungen.	Änderungen ohne vorherige Bekanntgabe vorbehalten.
CH, IT	AVVERTENZA: Queste informazioni hanno il valore di guida soltanto. Gli articoli compresi nelle caratteristiche tecniche del barbecue potrebbero variare a seconda della regione o del concessionario.	Tutti i dati tecnici possono cambiare senza preavviso.
SE	ANM.: Denna information är endast avsedd som handledning. Specifikationerna för grillen kan variera regionalt eller beroende på de krav som olika återförsäljare har.	Kaikki oikeudet teknisten tietojen muutoksiin pidätetään.
ES	NOTA: Esta información es una guía únicamente. Es posible que las indicaciones incluidas en las especificaciones de su Asador sean diferentes según la región o las especificaciones específicas del representante.	Todas las especificaciones están sujetas a cambios sin previo aviso.
DK	NB.: Denne information er kun vejledende. Specifikationer kan variere efter ønske fra forhandler, eller i henhold til nationale regler.	Alle specifikationer kan ændres foruden varsel.
NO	NB.: Denne informasjon er kun veiledende. Spesifikasjoner kan variere som stipulert av forhandler, eller i henhold til nasjonale krav.	Spesifikasjoner kan endres uten varsel.
SK	POZNÁMKA: Tieto informácie slúžia len ako pomôcka. Údaje uvedené v technických údajoch vášho grilu sa môžu líšiť podľa regiónu alebo špecifických technických údajov stanovených predajcom.	Všetky špecifikácie sa môžu zmeniť bez upozornenia.
CZ	POZNÁMKA: Tyto informace slouží pouze jako instruktaž. Součásti vašeho BBQ. Specifikace se mohou lišit podle regionu/země nebo specifických údajů prodejce.	Všechny informace mohou být změněny bez předchozího upozornění.
HU	MEGJEGYZÉS: Ez az információ csak tájékoztató jellegű. A BBQ specifikációjában szereplő tételek a régiótól vagy a specifikus kereskedői specifikációtól függően eltérőek lehetnek.	Minden műszaki változtatás jogát fenntartjuk.
SI	OPOMBA: Te informacije so le vodnik. Predmeti, vključeni v vašo specifikacijo BBQ, se lahko razlikujejo glede na regijo ali specifikacijo prodajalca.	Vse specifikacije se lahko spremenijo brez predhodnega obvestila.

