



REPUBLIC OF
GAMERS

ROG STRIX XG43U

LARGE SIZE GAMING DISPLAY

ASUS

Table of contents

- Notices iii
- Safety information iv
- Care & Cleaning vi
- 1.1 Welcome 1-1
- 1.2 Package contents..... 1-1
- 1.3 Assembling the monitor 1-2
- 1.4 Connect cables..... 1-5
 - 1.4.1 Rear of the LCD monitor 1-5
- 1.5 Monitor introduction 1-6
 - 1.5.1 Using the Controls button 1-6
- 2.1 Adjusting the monitor..... 2-1
- 2.2 Outline dimension..... 2-2
 - 2.3 Detaching the arm/stand (for VESA wall mount) 2-3
- 3.1 OSD (On-Screen Display) menu 3-1
 - 3.1.1 How to reconfigure..... 3-1
 - 3.1.2 OSD Function Introduction..... 3-2
- 3.2 Aura 3-11
- 3.3 Specifications..... 3-13
- 3.4 Troubleshooting (FAQ)..... 3-14
- 3.5 Supported Timing List..... 3-16

Copyright © 2019 ASUSTeK COMPUTER INC. All Rights Reserved.

No part of this manual, including the products and software described in it, may be reproduced, transmitted, transcribed, stored in a retrieval system, or translated into any language in any form or by any means, except documentation kept by the purchaser for backup purposes, without the express written permission of ASUSTeK COMPUTER INC. ("ASUS").

Product warranty or service will not be extended if: (1) the product is repaired, modified or altered, unless such repair, modification or alteration is authorized in writing by ASUS; or (2) the serial number of the product is defaced or missing.

ASUS PROVIDES THIS MANUAL "AS IS" WITHOUT WARRANTY OF ANY KIND, EITHER EXPRESS OR IMPLIED, INCLUDING BUT NOT LIMITED TO THE IMPLIED WARRANTIES OR CONDITIONS OF MERCHANTABILITY OR FITNESS FOR A PARTICULAR PURPOSE. IN NO EVENT SHALL ASUS, ITS DIRECTORS, OFFICERS, EMPLOYEES OR AGENTS BE LIABLE FOR ANY INDIRECT, SPECIAL, INCIDENTAL, OR CONSEQUENTIAL DAMAGES (INCLUDING DAMAGES FOR LOSS OF PROFITS, LOSS OF BUSINESS, LOSS OF USE OR DATA, INTERRUPTION OF BUSINESS AND THE LIKE), EVEN IF ASUS HAS BEEN ADVISED OF THE POSSIBILITY OF SUCH DAMAGES ARISING FROM ANY DEFECT OR ERROR IN THIS MANUAL OR PRODUCT.

SPECIFICATIONS AND INFORMATION CONTAINED IN THIS MANUAL ARE FURNISHED FOR INFORMATIONAL USE ONLY, AND ARE SUBJECT TO CHANGE AT ANY TIME WITHOUT NOTICE, AND SHOULD NOT BE CONSTRUED AS A COMMITMENT BY ASUS. ASUS ASSUMES NO RESPONSIBILITY OR LIABILITY FOR ANY ERRORS OR INACCURACIES THAT MAY APPEAR IN THIS MANUAL, INCLUDING THE PRODUCTS AND SOFTWARE DESCRIBED IN IT.

Products and corporate names appearing in this manual may or may not be registered trademarks or copyrights of their respective companies, and are used only for identification or explanation and to the owners' benefit, without intent to infringe.

Notices

Federal Communications Commission Statement

This device complies with Part 15 of the FCC Rules. Operation is subject to the following two conditions:

- This device may not cause harmful interference.
- This device must accept any interference received including interference that may cause undesired operation.

This equipment has been tested and found to comply with the limits for a Class B digital device, pursuant to Part 15 of the FCC Rules. These limits are designed to provide reasonable protection against harmful interference in a residential installation. This equipment generates, uses and can radiate radio frequency energy and, if not installed and used in accordance with the instructions, may cause harmful interference to radio communications. However, there is no guarantee that interference will not occur in a particular installation. If this equipment does cause harmful interference to radio or television reception, which can be determined by turning the equipment off and on, the user is encouraged to try to correct the interference by one or more of the following measures:

- Reorient or relocate the receiving antenna.
- Increase the separation between the equipment and receiver.
- Connect the equipment to an outlet on a circuit different from that to which the receiver is connected.
- Consult the dealer or an experienced radio/TV technician for help.



The use of shielded cables for connection of the monitor to the graphics card is required to assure compliance with FCC regulations. Changes or modifications to this unit not expressly approved by the party responsible for compliance could void the user's authority to operate this equipment.

Canadian Department of Communications Statement

This digital apparatus does not exceed the Class B limits for radio noise emissions from digital apparatus set out in the Radio Interference Regulations of the Canadian Department of Communications.

This class B digital apparatus complies with Canadian ICES-003.

This Class B digital apparatus meets all requirements of the Canadian Interference-Causing Equipment Regulations.

Cet appareil numérique de la classe B respecte toutes les exigences du Règlement sur le matériel brouiller du Canada.

Safety information

- Before setting up the monitor, carefully read all the documentation that came with the package.
- To prevent fire or shock hazard, never expose the monitor to rain or moisture.
- Never try to open the monitor cabinet. The dangerous high voltages inside the monitor may result in serious physical injury.
- If the power supply is broken, do not try to fix it by yourself. Contact a qualified service technician or your retailer.
- Before using the product, make sure all cables are correctly connected and the power cables are not damaged. If you detect any damage, contact your dealer immediately.
- Slots and openings on the back or top of the cabinet are provided for ventilation. Do not block these slots. Never place this product near or over a radiator or heat source unless proper ventilation is provided.
- The monitor should be operated only from the type of power source indicated on the label. If you are not sure of the type of power supply to your home, consult your dealer or local power company.
- Use the appropriate power plug which complies with your local power standard.
- Do not overload power strips and extension cords. Overloading can result in fire or electric shock.
- Avoid dust, humidity, and temperature extremes. Do not place the monitor in any area where it may become wet. Place the monitor on a stable surface.
- Unplug the unit during a lightning storm or if it will not be used for a long period of time. This will protect the monitor from damage due to power surges.
- Never push objects or spill liquid of any kind into the slots on the monitor cabinet.
- To ensure satisfactory operation, use the monitor only with UL listed computers which have appropriate configured receptacles marked between 100 ~ 240V AC.
- The socket-outlet shall be installed near the equipment and shall be easily accessible
- If you encounter technical problems with the monitor, contact a qualified servicer.
- Provide an earthing connection before the mains plug is connected to the mains. And, when disconnecting the earthing connection, be sure to disconnect after pulling out the mains plug from the mains.

- Please use ADP-280BB B of DELTA adapter.

WARNING

Usage of other than specified head- or earphones can result in hearing loss due to excessive sound pressures.

Restriction on Hazardous Substances statement (India)

This product complies with the “India E-Waste (Management) Rules, 2016” and prohibits use of Lead, Mercury, Hexavalent Chromium, polybrominated biphenyls(PBBs) and polybrominated diphenyl ethers(PBDEs) in concentration exceeding 0.1% by weight in homogenous materials and 0.01% by weight in homogenous materials for cadmium, except of exemptions listed in Schedule 2 of the Rule.

Made in China

HDMI™
HIGH-DEFINITION MULTIMEDIA INTERFACE

EAC

Care & Cleaning

- Before you lift or reposition your monitor, it is better to disconnect the cables and power cord. Follow the correct lifting techniques when positioning the monitor. When lifting or carrying the monitor, grasp the edges of the monitor. Do not lift the display by the stand or the cord.
- Cleaning. Turn your monitor off and unplug the power cord. Clean the monitor surface with a lint-free, non-abrasive cloth. Stubborn stains may be removed with a cloth dampened with mild cleaner.
- Avoid using a cleaner containing alcohol or acetone. Use a cleaner intended for use with the LCD. Never spray cleaner directly on the screen, as it may drip inside the monitor and cause an electric shock.



This symbol of the crossed out wheeled bin indicates that the product (electrical, electronic equipment, and mercury-containing button cell battery) should not be placed in municipal waste.

Please check local regulations for disposal of electronic products.

AAAA yönetmeliğine uygundur

The following symptoms are normal with the monitor:

- The screen may flicker during the initial use due to the nature of the fluorescent light. Turn off the Power Switch and turn it on again to make sure that the flicker disappears.
- You may find slightly uneven brightness on the screen depending on the desktop pattern you use.
- When the same image is displayed for hours, an afterimage of the previous screen may remain after switching the image. The screen will recover slowly or you can turn off the Power Switch for hours.
- When the screen becomes black or flashes, or cannot work anymore, contact your dealer or service center to fix it. Do not repair the screen by yourself!

Conventions used in this guide



WARNING: Information to prevent injury to yourself when trying to complete a task.



CAUTION: Information to prevent damage to the components when trying to complete a task.



IMPORTANT: Information that you **MUST** follow to complete a task.



NOTE: Tips and additional information to aid in completing a task.

Where to find more information

Refer to the following sources for additional information and for product and software updates.

1. ASUS websites

The ASUS websites worldwide provide updated information on ASUS hardware and software products. Refer to **<http://www.asus.com>**

2. Optional documentation

Your product package may include optional documentation that may have been added by your dealer. These documents are not part of the standard package.

1.1 Welcome

Thank you for purchasing the ASUS® LCD monitor!

The latest widescreen LCD monitor from ASUS provides a crisper, broader, and brighter display, plus a host of features that enhance your viewing experience.

With these features, you can enjoy the convenience and delightful visual experience that the monitor brings you!

1.2 Package contents

Check your package for the following items:

- ✓ LCD Monitor
- ✓ Quick Start Guide
- ✓ Warranty Card
- ✓ 1x Power Cord
- ✓ 1x HDMI Cable
- ✓ 1x DP Cable
- ✓ 1x Power Adapter
- ✓ 1x USB 3.0 Cable
- ✓ 1x Remote Control(with Battery)
- ✓ 1x Aura Sync ROG logo Projector

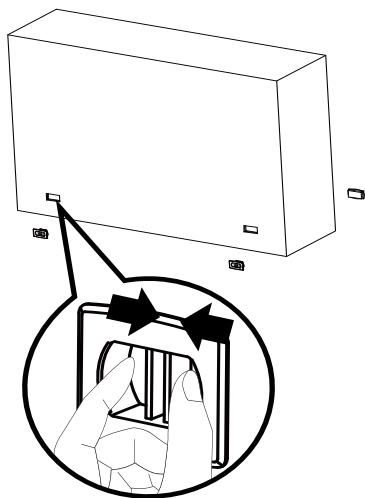


-
- If any of the above items is damaged or missing, contact your retailer immediately.
-

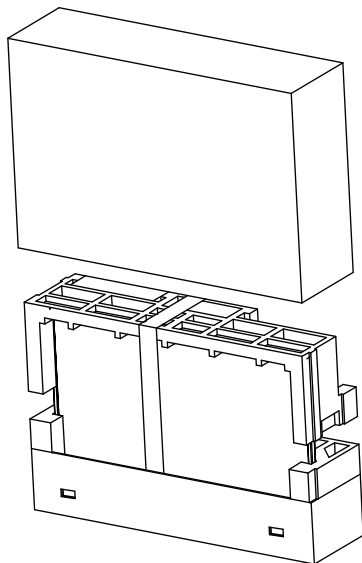
1.3 Assembling the monitor

To assemble the monitor:

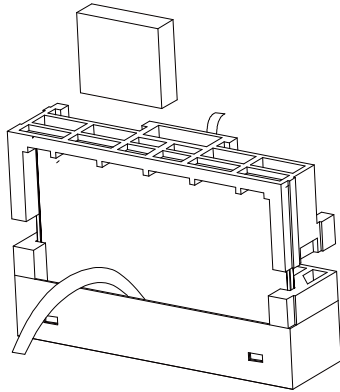
1. Take out four box handle from bottom of carton box.



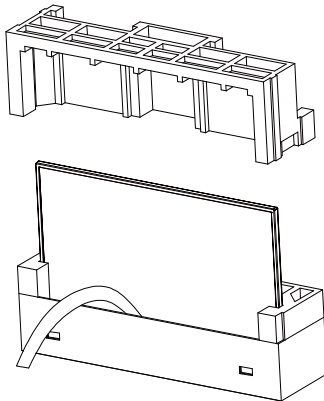
2. Take out upper carton box.



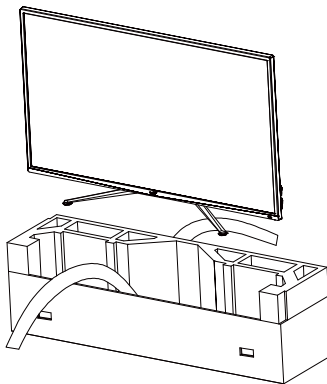
3. Take out accessory carton box from upper EPS.



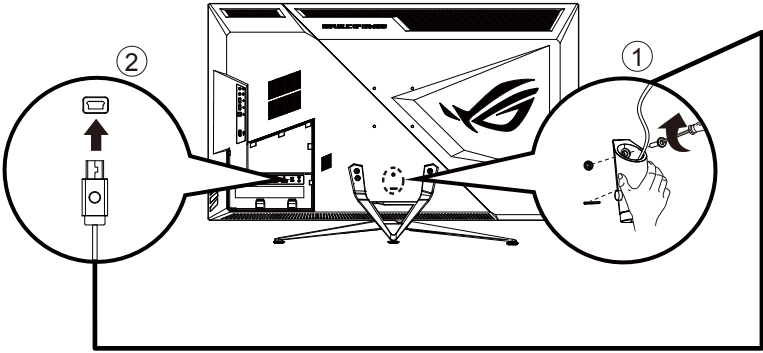
4. Take out upper EPS.



5. Take out monitor.

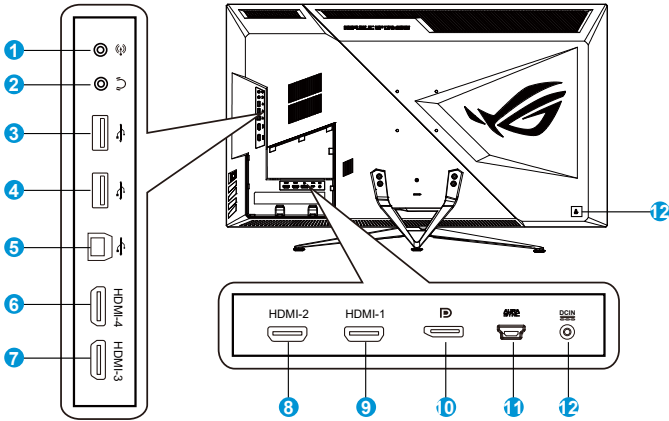


6. Use screwdriver to install AuraSync Projecter.



1.4 Connect cables

1.4.1 Rear of the LCD monitor

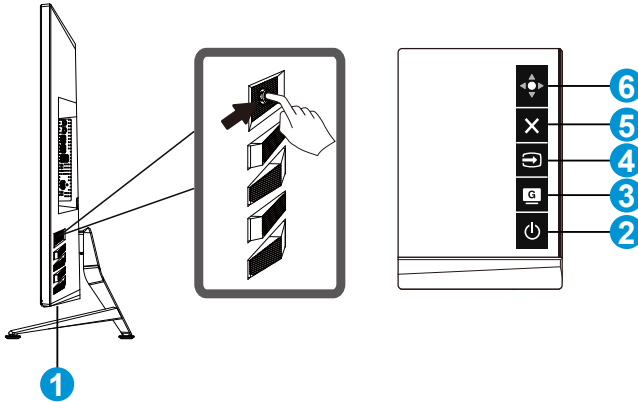


- 1. Audio in
- 2. Earphone Jack
- 3. USB Downstream Port
- 4. USB Downstream Port
- 5. USB Upstream Port
- 6. HDMI-4 Port
- 7. HDMI-3 Port
- 8. HDMI-2 Port
- 9. HDMI-1 Port
- 10. DisplayPort
- 11. AURA SYNC Port
- 12. DC-IN Port
- 13. Kensington Lock

1.5 Monitor introduction

1.5.1 Using the Controls button

Use the control button on the back of the monitor to adjust the monitor settings.



1. Power Indicator:

- The color definition of the power indicator is as the below table.

Status	Description
White	ON
Amber	Standby mode
OFF	OFF

2. Power Button:

- Press this button to turn the monitor on/off.

3. GameVisual:

- This is a shortcut key. Default setting is GameVisual.

4. Input Select:

- This is a shortcut key. Default setting is Input Select.

5. Close Button:

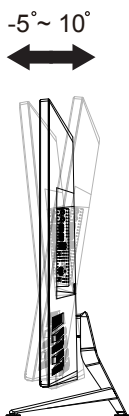
- Exit the OSD menu.

6. Menu Button

- This is menu hotkey. Select it to open main menu OSD.

2.1 Adjusting the monitor

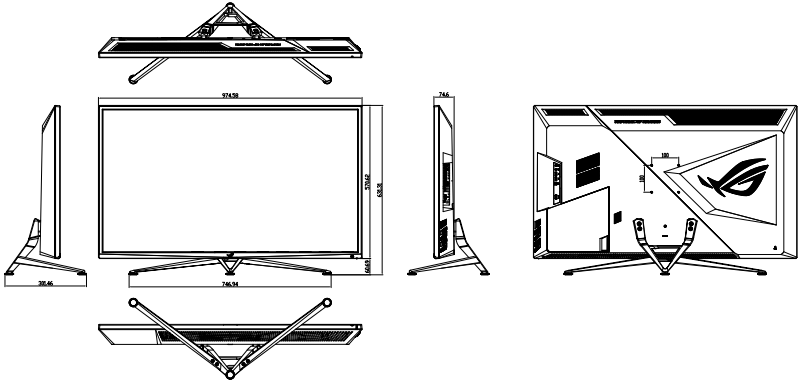
- For optimal viewing, we recommend that you look at the full face of the monitor, then adjust the monitor to the angle that is most comfortable for you.
- Hold the stand to prevent the monitor from falling when you change its angle.
- You can adjust the monitor's angle from -5° to 10° .



It is normal that the monitor slightly shakes while you adjust the viewing angle.

2.2 Outline dimension

Unit: mm [inch]

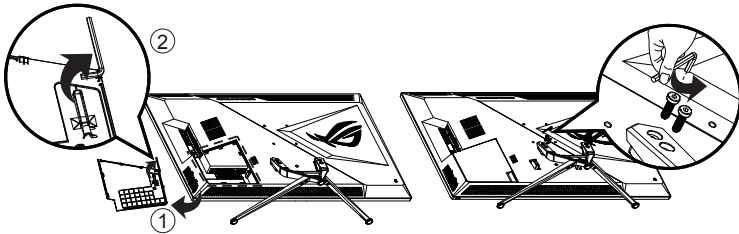


2.3 Detaching the arm/stand (for VESA wall mount)

The detachable stand of this monitor is specially designed for VESA wall mount.

To detach the arm/stand

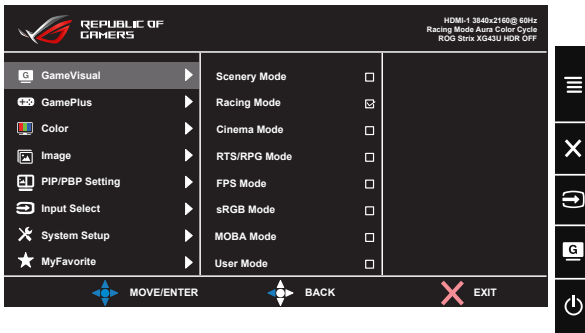
1. Disconnect power and signal cables.
2. Separate I/O cover from Rear Cover (1) and then take out screwdriver from I/O cover (2).
3. Remove the four (4) screws securing the arm to the rear of the monitor.
4. Detach the stand (arm and base) from the monitor.



- The VESA wall mount kit (100 x 100 mm) is purchased separately.
- Use only the UL Listed Wall Mount Bracket with minimum weight/load 28.8 kg (Screw size: M4 x 10 mm).

3.1 OSD (On-Screen Display) menu

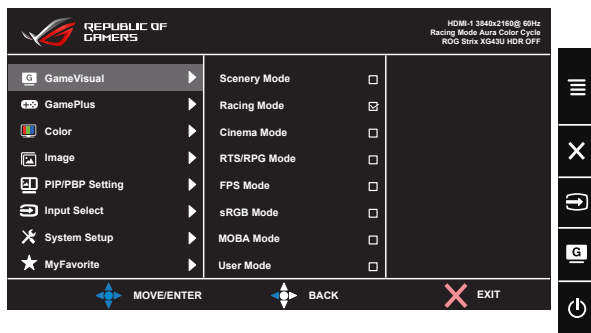
3.1.1 How to reconfigure



1. Press the Central of 5-way button to display the OSD menu.
2. Press the Up and Down keys to switch the options in the menu. When you move from one icon to another, the option name is highlighted.
3. To select a highlighted item from the menu, press the Right key or the Central button.
4. Press the Up and Down keys to select the desired parameters.
5. Press the Right key or the Central button to enter the slide bar, and then use the Up or Down keys (depending on the indicators in the menu) to make changes.
6. Press the Left key to return to the previous menu.

3.1.2 OSD Function Introduction

1. GameVisual

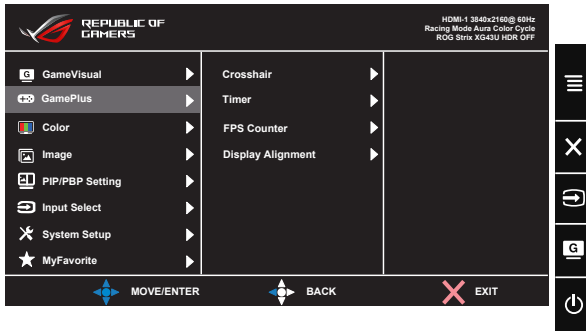


- **Scenery Mode:** This is the best choice for scenery photo displaying with GameVisual™ Video Intelligence Technology.
- **Racing Mode:** This is the best choice for racing game playing with GameVisual™ Video Intelligence Technology.
- **Cinema Mode:** This is the best choice for movie watching with GameVisual™ Video Intelligence Technology.
- **RTS/RPG Mode:** This is the best choice for Real-Time Strategy(RTS)/Role-Playing Game(RPG) playing with GameVisual™ Video Intelligence Technology.
- **FPS Mode:** This is the best choice for First Person Shooter game playing with GameVisual™ Video Intelligence Technology.
- **sRGB Mode:** This is the best choice for viewing photos and graphics from PCs.
- **MOBA Mode :** This is the best choice for Multiplayer Online Battle Arena (MOBA) games playing with GameVisual™ Video intelligence Technology.
- **User Mode:** More items are adjustable in the Color menu.







- In the Racing Mode, the Saturation and ASCR functions are not user-configurable.
- In the sRGB, the Saturation, Color Temp., Brightness, Contrast and ASCR functions are not user-configurable.
- In the MOBA Mode, the Saturation and ASCR functions are not user-configurable.

2. GamePlus

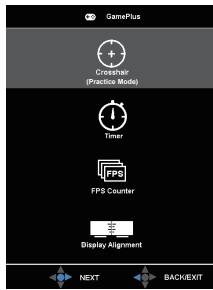


- **Crosshair:** Activate Crosshair function.
- **Timer:** Activate Timer function.
- **FPS Counter:** Activate FPS Counter function.
- **Display Alignment:** Activate Display Alignment function.
- **GamePlus:** The GamePlus Function provides a toolkit and creates a better gaming environment for users when playing different types of games. Particularly, Crosshair function is specially designed for new gamers or beginners interested in First Person Shooter (FPS) games.

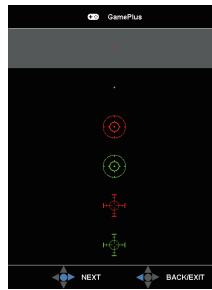
To active GamePlus:

- Press **GamePlus** Button to enter the GamePlus main menu.
- Activate Crosshair, Timer, FPS Counter or Display Alignment function.
- Move the  to select and press  to confirm the function needed. Press  to go off, and exit.
- Crosshair/Timer/FPS Counter is movable by pressing .

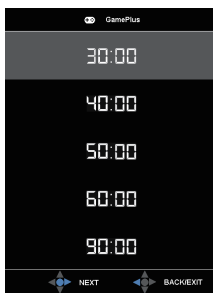
GamePlus main menu



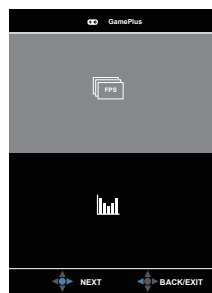
GamePlus-Crosshair



GamePlus-Timer

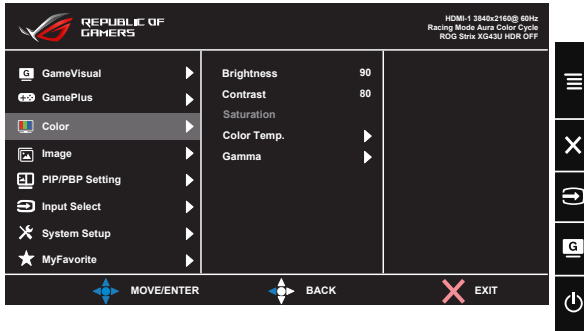


GamePlus-FPS Counter



3. Color

Select the image color you like from this function.



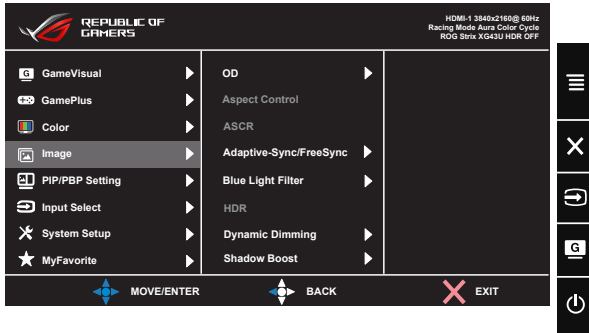
- **Brightness:** The adjusting range is from 0 to 100.
- **Contrast:** The adjusting range is from 0 to 100.
- **Saturation:** The adjusting range is from 0 to 100.
- **Color Temp.:** Contains three preset color modes (**Cool**, **Normal**, **Warm**) and **User Mode**.
- **Gamma:** Contains three gamma modes including 1.8, 2.2, 2.5.



- In the User Mode, colors of R (Red), G (Green), and B (Blue) are user-configurable; the adjusting range is from 0 ~ 100.

4. Image

You can adjust OD, Aspect Control, ASCR, Adaptive-Sync/FreeSync, Blue Light Filter, HDR, Dynamic Dimming and Shadow Boost from this main function.



- **OD:** Speeds up the response time by Over Drive technology. Including Level 0~Level 5.
- **Aspect Control:** Adjusts the aspect ratio to “Full” and “4:3”.
- **ASCR:** Select **ON** or **OFF** to enable or disable dynamic contrast ratio function.
- **Adaptive-Sync/FreeSync:** It can allow a Adaptive-Sync/FreeSync supported graphics source to dynamically adjust display refresh rate based on typical content frame rates for power efficient, virtually stutter free and low-latency display update. FreeSync support 48-120Hz under DP mode. Adaptive support FHD/QHD 48-120Hz under HDMI mode.
- **Blue Light Filter:** Adjust the energy level of blue light emitted from LED backlight.
- **HDR:** High Dynamic Range. Contains three HDR modes (ASUS Cinema HDR, ASUS Gaming HDR and FreeSync2 HDR). ASUS Cinema HDR and ASUS Gaming HDR are selectable when input video is not AMD FreeSync2 HDR. FreeSync2 HDR is selectable when connected to AMD FreeSync2 HDR video. (FreeSync2 HDR non-support under HDMI mode).
- **Dynamic Dimming:** Dynamic local dimming, turn on this feature to improve the dynamic contrast.
- **Shadow Boost:** Dark color enhancement adjust monitor gamma curve to enrich the dark tones in an image making dark scenes and objects much easier be found.



-
- Choose 4:3 to display the picture according to the original aspect ratio of the input source.
-



- When Blue Light Filter is activated, the default settings of Racing Mode will be automatically imported.
 - Between Level 1 to Level 3, the Brightness function is user-configurable.
 - Level 4 is optimized setting. It is compliance with TUV Low Blue Light Certification. The Brightness function is not user-configurable.
-

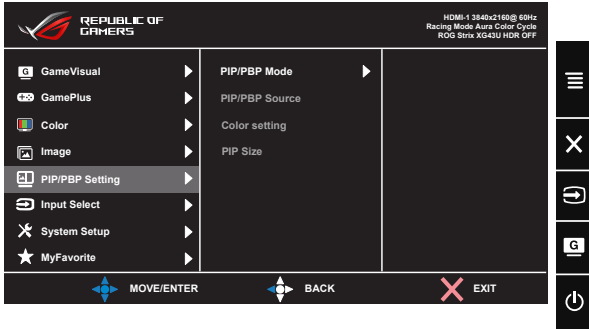


Please refer to the following to alleviate eye strains:

- Users should take some time away from the display if working for long hours. It is advised to take short breaks (at least 5 mins) after around 1 hour of continuous working at the computer. Taking short and frequent breaks is more effective than a single longer break.
 - To minimize eye strain and dryness in your eyes, users should rest the eye periodically by focusing on objects that are far away.
 - Eye exercises can help to reduce eye strain. Repeat these exercises often. If eye strain continues please consult a physician. Eye exercises: (1) Repeating look up and down (2) Slowly roll your eyes (3) Move your eyes diagonal.
 - High energy blue light may lead to eye strain and AMD (Age-Related Macular Degeneration). Blue light filter to reduce 70% (max.) harmful blue light to avoiding CVS (Computer Vision Syndrome).
-

5. PIP/PBP Setting

The PIP/PBP Setting allows you to open up sub-window(s) connected from any video source.



By activating this function, this monitor displays two pictures, three pictures or four pictures for any video source.

- **PIP/PBP Mode:** Select PIP, PBPx2, PBPx3 or PBPx4 or turn it off.
- **PIP/PBP Source:** Selects the video input source among, “HDMI-1”, “HDMI-2”, “HDMI-3” or “DisplayPort”.
- **Color setting:** Set GameVisual mode for each PIP/PBP window.
- **PIP Size:** Adjust the PIP size to “Small”, “Middle”, or “Large”.

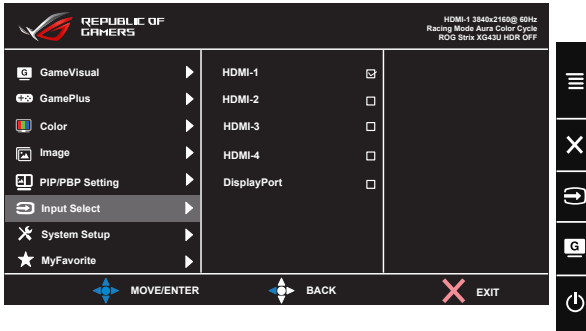


- To turn on PIP/PBP function will disable Adaptive-Sync/FreeSync, Dynamic Dimming and HDR function.
- PIP/PBP function is supported below 60Hz.

6. Input Select

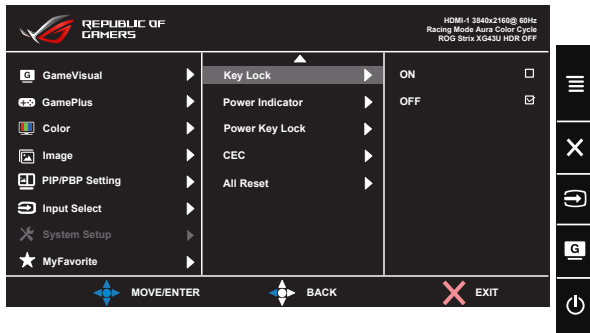
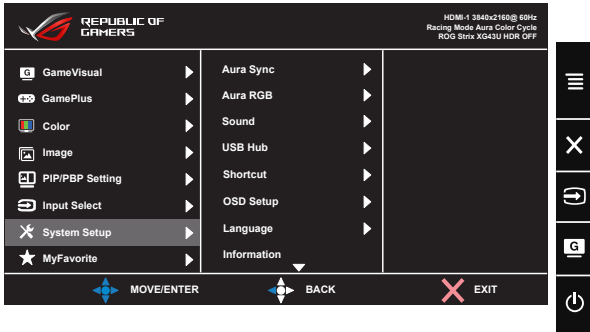
Select the input source:

- HDMI-1, HDMI-2, HDMI-3 and DisplayPort



7. System Setup

Adjusts the system configuration.



- **Aura Sync:** Allows you to turn on or off the Aura Sync function that synchronizes the Aura RGB light effect among all supported devices.
- **Aura RGB:** In this function you can select an Aura RGB light effect for the monitor and change settings for the light effect. Select “OFF” if you want to turn the Aura RGB light effect off.
- **Sound:** Selects “Volume” to adjust the output volume level. Selects “Mute” to mute the output volume. Selects “Sound Source” to select audio source. Selects AudioWizard to select the preset sound modes Music Mode, Movies Mode, Gaming Mode and User Mode.
- **USB Hub:** Turn On/Off USB Hub function during the standby mode.
- **Shortcut:** Selecting this option allows you to set shortcut key.

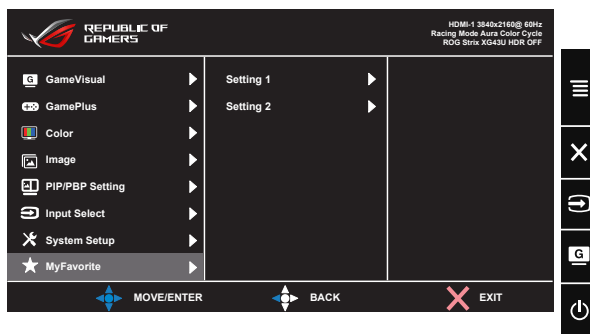
- **OSD Setup:** Adjusts the **OSD Timeout, DDC/CI, Transparency Zoom By Remote Control, and Zoom By Hot Key** of the OSD screen.
- **Language:** Select OSD language. The selections are: **English, French, German, Spanish, Italian, Dutch, Russian, Poland, Czech, Croacia, Hungary, Romania, Portugal, Turkey, Simplified Chinese, Traditional Chinese, Japanese, Korean, Persian, Thai, and Indonesian.**
- **Information:** Displays the monitor information.
- **Key Lock:** Disable all key functions. Pressing the down button for more than five seconds to disable key lock function.
- **Power Indicator:** Turn the power LED indicator on/off.
- **Power Key Lock:** To disable / enable power key
- **CEC:** Consumer Electronics Control, control all connected devices through HDMI by remote control. The control functions include standby, active source, inactive source, etc.
- **All Reset:** Selects “Yes” to revert all settings to the factory default mode.



- If the Aura Sync function is turned ON, the Aura RGB function will become unavailable.
- See page 3-12 for information on how to customize Aura light effects from your computer.

8. MyFavorite

Load/Save all settings on the monitor.



3.2 Aura

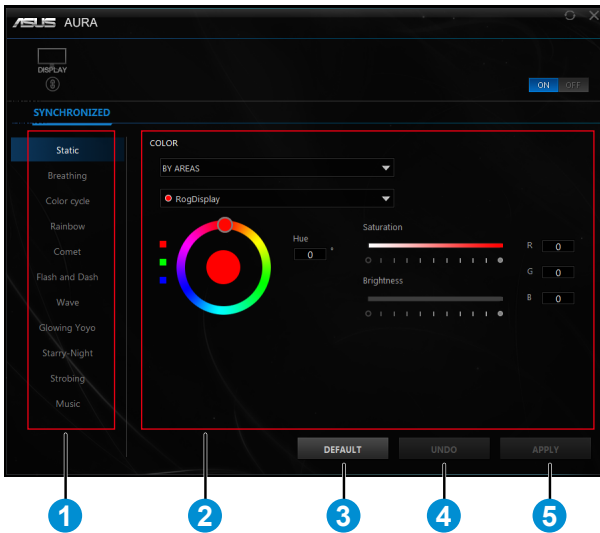
AURA is a software program that controls the colorful LEDs on supported devices, such as monitors, motherboards, graphic cards, desktop PCs, etc. Aura allows you to adjust the color of the RGB LEDs on these devices and select different light effects. You can also correct or adjust the color of the LEDs by calibrating them.

To activate Aura:

1. Turn ON the **Aura Sync** function in the OSD menu.
2. Connect the USB 3.0 upstream port of the monitor to the USB port of your computer.
3. Install AURA and then restart the computer.

4. Double-click the AURA program icon  on your desktop.

Refer to the figure below for information about the AURA program functions.



- ① Select the desired AURA lighting effect when the system has been turned on.
- ② Adjust AURA lighting options.
- ③ Click to enable the default settings.

④ Click to undo the changes.

⑤ Click to apply the changes.




If the USB upstream connection between the monitor and computer is disconnected, to resume the Aura function, you need to re-connect the USB 3.0 upstream port of the monitor to the computer and then restart the computer.







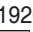
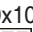

3.3 Specifications

Model	XG43UQ
Panel Size	43" W (109.22 cm)
Max. Resolution	3840 x 2160
Brightness (Typ.)	450 nits (typical)
Intrinsic Contrast Ratio (Typ.)	4000:1
Viewing Angle (CR>10)	178°(V) /178°(H)
Display Colors	1.07B(10bit)
Response Time	4 ms (G To G)
Sound from HDMI	Yes
HDMI input	HDMI2.0 x 4
DisplayPort1.4 input	Yes
Audio in	Yes
PBP/PIP	Yes
USB3.0 Port	Upstream x1, Downstream x2 (USB port without power charger when upstream no link)
Earphone	Yes
Speaker	10 W x 2
Power On Consumption	< 48 W* (Measuring a screen brightness of 200 nits without audio/ USB/ Card reader connection)
Chassis Colors	Black
Power saving mode	< 0.5W
Power off mode	< 0.5W
Tilt	-5° ~ 10°
Phys. Dimension with stand (WxHxD)	974.58 x 631.31 x 301.46 mm
Phys. Dimension without stand (WxHxD)	974.58 x 570.62 x 74.6 mm
Box Dimension (WxHxD)	1069 x 722 x 374 mm
Net Weight with Stand (Esti.)	16.6 kg
Net Weight without Stand (Esti.)	15kg

Gross Weight (Esti.)	24.8 kg
Temperature (operating)	0°C ~ 35°C
Voltage Rating	AC 100~240V(Built-in)

3.4 Troubleshooting (FAQ)

Problem	Possible Solution
Power LED is not ON	<ul style="list-style-type: none"> • Press the  button to check if the monitor is in the ON mode. • Check if the power cord is properly connected to the monitor and the power outlet. • Check Power Indicator function in main menu OSD. Select "ON" to turn on power LED.
The power LED lights amber and there is no screen image	<ul style="list-style-type: none"> • Check if the monitor and the computer are in the ON mode. • Make sure the signal cable is properly connected the monitor and the computer. • Inspect the signal cable and make sure none of the pins are bent. • Connect the computer with another available monitor to check if the computer is properly working.
Screen image is too light or dark	<ul style="list-style-type: none"> • Adjust the Contrast and Brightness settings via OSD.
Screen image bounces or a wave pattern is present in the image	<ul style="list-style-type: none"> • Make sure the signal cable is properly connected to the monitor and the computer. • Move electrical devices that may cause electrical interference.
Screen image has color defects (white does not look white)	<ul style="list-style-type: none"> • Inspect the signal cable and make sure that none of the pins are bent. • Perform Reset via OSD. • Adjust the R/G/B color settings or select the Color Temperature via OSD.
The screen image is a white mist	<ul style="list-style-type: none"> • PIP/PBP mode is not support HDR, Please try to turn off HDR function of source side or turn off PIP/PBP mode, and then check screen image is normal or not.
No sound or sound is low	<ul style="list-style-type: none"> • Adjust the volume settings of both your monitor and computer. • Make sure the computer sound card driver is properly installed and activated. • Check the audio source.

<p>The following function is disabled automatically.</p> <ul style="list-style-type: none"> • Adaptive-Sync/FreeSync • HDR decoded • Dynamic Dimming 	<ul style="list-style-type: none"> • To set PIP/PBP mode will disable Adaptive-Sync/FreeSync and HDR decoded automatically. • Adaptive-Sync/FreeSync is selectable after turn off PIP/PBP mode. • HDR decoded is enabled automatically in PIP/PBP off mode.
<p>PIP/PBP mode is disabled automatically.</p>	<ul style="list-style-type: none"> • PIP/PBP mode is used below 60Hz. Turn off PIP/PBP mode if any input V frequency is more than 60Hz automatically. • Change Input video V frequency to 60Hz then try to set PIP/PBP mode again.
<p>Image is not full screen in PBP mode.</p>	<ul style="list-style-type: none"> • Set resolution to PBP window size as following: 1920x2160@60Hz in  mode. 3840x1080@60Hz in  mode. 3840x1080@60Hz at large window in  or  mode. 1920x2160@60Hz at large window in  or  mode. 1920x1080@60Hz at small window in   mode. 1920x1080@60Hz in  mode. • Check resolution in PC and OSD. Disable scaling in graphics card if they are not the same. • The resolution in OSD is leftmost window. Set the input source to leftmost window to check resolution if the window is not leftmost window.

3.5 Supported Timing List

DP

Support Timing table	
1	640x480@60Hz
2	640x480@67Hz
3	640x480@72Hz
4	640x480@75Hz
5	720x400@70Hz
6	800x600@56Hz
7	800x600@60Hz
8	800x600@72Hz
9	800x600@75Hz
10	1024x768@60Hz
11	1024x768@70Hz
12	1024x768@75Hz
13	1152x864@75Hz
14	1280x720@60Hz
15	1280x960@60Hz
16	3840x2160@30Hz
17	1280x1024@60Hz
18	1440x900@60Hz
19	1680x1050@60Hz
20	1920x1080@50Hz
21	1920x1080@60Hz
22	3840x2160@60Hz
23	3840x1080@60Hz
24	3840x2160@98Hz
25	3840x2160@120Hz
26	480P@60Hz
27	576P@50Hz
28	720P@50Hz
29	720P@60Hz
30	1080P@50Hz
31	1080P@60Hz
32	3840x2160@50Hz

HDMI

	Support Timing table
1	640x480@60Hz
2	640x480@67Hz
3	640x480@72Hz
4	640x480@75Hz
5	720x400@70Hz
6	800x600@56Hz
7	800x600@60Hz
8	800x600@72Hz
9	800x600@75Hz
10	1024x768@60Hz
11	1024x768@70Hz
12	1024x768@75Hz
13	1152x864@75Hz
14	1280x720@60Hz
15	1280x960@60Hz
16	1280x1024@60Hz
17	1440x900@60Hz
18	1680x1050@60Hz
19	1920x1080@50Hz
20	1920x1080@60Hz
21	2560x1440@120Hz
22	3840x1080@60Hz
23	3840x2160@60Hz
24	480P@60Hz
25	576P@50Hz
26	720P@50Hz
27	720P@60Hz
28	1080P@50Hz
29	1080P@60Hz
30	1080P@120Hz

* The modes not listed in the above tables may not be supported. For optimal resolution, we recommend that you choose a mode listed in the above tables.