

GP Batteries

PRODUCT SPECIFICATION

**USB Standard Charger
Model : E822**

Revision History

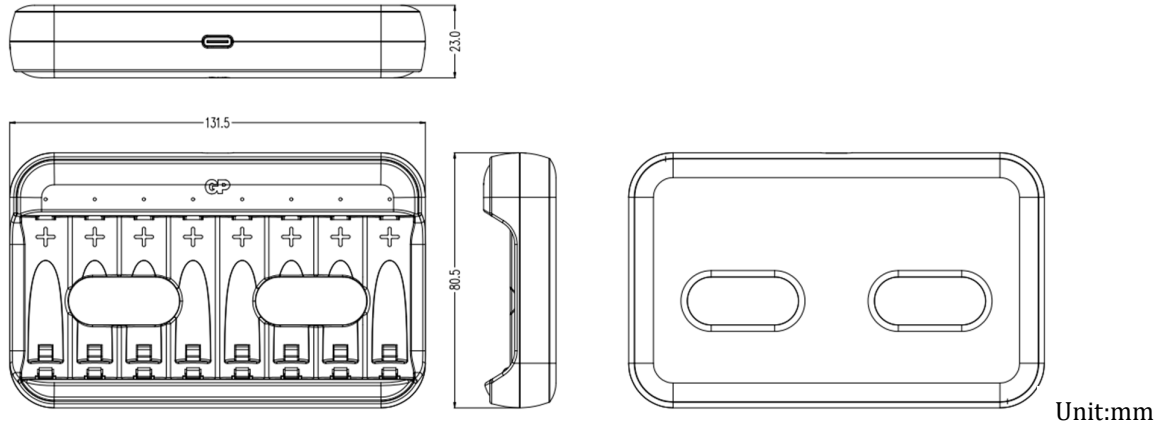
Revision	Date	Initiator	Reason for Change
0.0	16 Dec 2024	CC Li	Initial release

Prepared By	Approved By
CC Li	Vincent Lam
Date: 16 Dec 2024	Date: 16 Dec 2024

GP Batteries

Product Specification

Model no.: E822



Product Name	: USB 8-Slot Charger E822
Input	: DC5V 2A
Charging Channels	: 8 independent channels ; 8 slot/channel for 1-8 pcs AA/AAA NiMH batteries
Output Voltage	: 1.4V
Charging Current	: 400mA approx. for charging 1-8 channel AA/AAA Ni-MH Batteries
Charging Time	: Approx. 360 Min for charging AA 2100mAh Ni-MH Batteries Approx. 180 Min for charging AAA 850mAh Ni-MH Batteries
Trickle Charging Current	: 40mA approx
Standby current at no input	: <0.1mA
Operation Temperature	: 0°C to 30°C
LED Indication	: Four Green LEDs ON for 0.5 second after just USB power input Charging in progress - Green LED slow flashing Fully charged – Green LED ON Bad/Primary Batteries inserted – Green LED fast flash Battery Level Check (BLC)* - Green LED ON for Battery Full Green LED Slow Flash for Battery NOT Full

* Insert 1-8 batteries in slot 1-8, it will start BLC mode with green LED indication on corresponding channel as mentioned above and keep for 5s. Then will go to normal charging. To recheck BLC, just take out and insert battery again.

GP Batteries

Product Specification

Model no.: E822

Safety protection	:	1) Timer protection – 8 hours 2) -dv 3) Temperature cut-off 4) Primary Battery Protection 5) Reverse polarity protection
Dimensions	:	131.5 (L) x 80.5 (W) x 23 (H) mm
Weight	:	85 g (approx.)
Certification	:	CE, UKCA & Rohs
Warranty Period	:	12 months from ex-factory date