

Not to be reproduced

281123 99200006366

- EN Register your product guarantee today!  
See page 73 for info.
- FR Enregistrez votre produit dès aujourd'hui  
! Plus d'informations page 73.
- DE Registrieren Sie Ihr Produkt noch heute!  
Für weitere Informationen Seite 73.
- ES Registra tu producto hoy mismo. Más  
información en la página 74.
- IT Registra oggi il tuo prodotto ghd e  
verificane l'autenticità. Vai a pag 74.
- SV Registrera din produktgaranti idag!  
Se sida 74 för information.
- NO Registrer produktgarantien din i dag!  
Se side 75 for mer informasjon.
- DK Registrer din produktgaranti i dag!  
Se side 75 for oplysninger.
- FI Rekisteröi tuotetakuusi jo tänään!  
Katso lisätietoja sivulta 75.



duet blowdry

Professional 2-in-1 hair dryer brush

**important** safety instructions,  
manufacturer's guarantee and  
how to register your product

Not to be reproduced

---

## contents

---

<b>EN</b> English	3 - 10
Validate your guarantee	73
<b>FR</b> Français	11 - 18
Enregistrez votre produit	73
<b>DE</b> Deutsch	19 - 26
Ihre Garantie überprüfen	73
<b>ES</b> Español	27 - 34
Registra il tuo prodotto ghd	74
<b>IT</b> Italiano	35 - 42
Registra il tuo prodotto ghd	74
<b>SV</b> Svenska	43 - 50
Validera din garanti	74
<b>NO</b> Norsk	51 - 56
Valider garantien	75
<b>DA</b> Dansk	57 - 64
Bekræft din garanti	75
<b>FI</b> Suomi	65 - 72
Vahvista takuu	75

**important safety instructions**

Before attempting to use this ghd 2-in-1 hair dryer brush, for the safety of both yourself and others, please read the safety precautions set out below carefully and follow them, without exception, at all times when using your ghd 2-in-1 hair dryer brush.

To reduce the risk of burns, electrocution, fire, or injury to persons, read and follow these safety instructions before using your ghd hair dryer brush.

This ghd 2-in-1 hair dryer brush is for use only as a drying and hairstyling aid, and only with products specifically designed for use with a heated hairstyling aid such as the ghd heat bag/mat.

**Handling your ghd 2-in-1 hair dryer brush**

The ghd 2-in-1 hair dryer brush contains high-tech, sensitive components therefore please ensure that the product is not dropped. Do not insert foreign objects, paint, burn or disassemble your ghd 2-in-1 hair dryer brush. Do not use your ghd 2-in-1 hair dryer brush if it has been damaged – for example if the hair dryer brush casing is cracked. If your product is damaged through misuse or abuse, this will not be covered under your guarantee. This does not affect your statutory rights.

**This appliance can be used by children aged from 8 years and above and persons with reduced physical, sensory or mental capabilities or lack of experience and knowledge if they have been given supervision or instruction concerning use of the appliance in a safe way and understand the hazards involved, by a person responsible for their safety.**

**Children shall not play with the appliance. Cleaning and user maintenance shall not be made by children without supervision.**

**BURN HAZARD: Keep appliance out of reach from children, particularly during use and during cool down after use.**

**When the appliance is connected to a power**

**supply never leave it unattended.**

The ghd 2-in-1 hair dryer brush is not suitable for use with synthetic hair. It is possible that colour may permanently transfer onto the ghd 2-in-1 hair dryer brush if used on dyed hair.

**warning: keep away from water**

**Do not use this device in a bathtub, shower, or water filled reservoir.**



**1. When the hair dryer brush is used in a bathroom, unplug it after use since**

**the proximity of water presents a hazard even when the hair dryer brush is switched off.**

**2. For additional protection, the installation of a residual current device (RCD) with an operating current not exceeding 30mA is advisable when using this product.**

**3. Do not immerse or put under running water,**

**even for cleaning purposes.**

**4. CAUTION: Never use the ghd 2-in-1 hair dryer brush with wet hands, in, or near water or near baths, basins or other receptacles containing water (or any other liquid).**

**5. Do not reach for the appliance if it has fallen into water.**

**6. Do not spray or apply wet styling aids directly onto the ghd hair dryer brush.**

**7. Do not leave within the reach of children.**

#### warning: electricity

As with most electrical appliances, electrical parts are electrically live even when the switch is off.

To reduce the risk of electrocution:

**Never operate this appliance if it is not working properly, or if it has a damaged power cord or plug. If the power**

**cord or plug is damaged, it must be replaced by Jemella Ltd.**

1. Only use with 220–240V, 50-60 Hz power supply.
2. The appliance should never be left unattended when plugged in.
3. Keep the power cord away from heated surfaces. Do not wrap the power cord around the appliance. Do not hang the ghd hair dryer brush by the power cord.
4. Do not use if the cord is damaged.
5. Do not pull or strain the power cord and do not unplug by pulling on the cord, rather disconnect the ghd 2-in-1 hair dryer brush by isolating the mains switch and then by removing the plug.
6. Always unplug the ghd 2-in-1 hair dryer brush immediately after using.
7. Do not use an extension power cord with this appliance.
8. Do not use a voltage inverter or generator with this appliance.
9. Any error when connecting the ghd 2-in-1 hair dryer brush can cause irreparable harm, not covered by the guarantee.



10. If your ghd 2-in-1 hair dryer brush has broken or does not work correctly immediately stop using and contact ghd (Jemella Ltd), see contact details.

11. Your ghd 2-in-1 hair dryer brush can only be repaired using specialist tools and by qualified experts at ghd.

12. Your ghd product is a class II electrical appliance and should not be connected to an earth connection.

13. CAUTION: Failure to comply with these safety precautions may result in electric shock or other injuries!

**The ghd 2-in-1 hair dryer brush must be unplugged from the mains socket;**

1. Before cleaning and maintenance procedures.
2. If it is not working correctly.
3. As soon as you have finished using it.
4. If you leave the room, even momentarily.

#### warning: hot surfaces

The ghd 2-in-1 hair dryer brush heated barrel plate is hot for effective styling.

To reduce the risk of burns:

1. NEVER touch the hair dryer brush heated barrel plate
2. Avoid holding or touching the hair dryer brush beyond the raised finger guard.

3. When not styling always lay the hair dryer brush on a flat heat-resistant surface such as a ghd styler heat mat.

4. When styling is complete, always switch off the hair dryer brush and unplug it from the power supply.

5. Wait for the hair dryer brush to cool before storing.

6. After styling the barrel plate remains hot – for safe cooling you can place the brush within the heat-resistant storage bag / mat.

7. When the hair dryer brush has cooled, fold the power cord in the same way as it was first delivered in its packaging. Do not wind it around your hand or the body of the hair dryer brush as this can lead to early failure of the power cord.

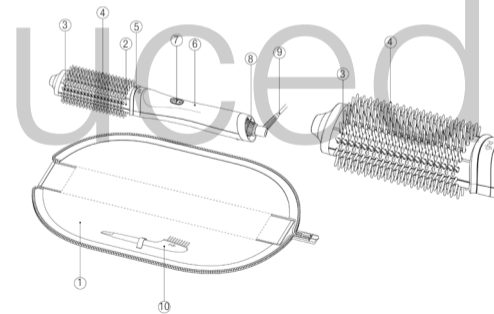
**Your ghd 2-in-1 hair dryer brush is not only attractive to you, but also to your children. Please ensure you always store your ghd 2-in-1 hair dryer brush out of reach of children, particularly during use, especially when cooling.**

For safe cooling, place the ghd 2-in-1 hair dryer brush inside the heat resistant storage bag / mat.

WARNING: even with the hair dryer brush within the heat resistant storage bag / mat, the ghd hair dryer brush heated barrel plate is still very hot. Do not touch the barrel plate or allow children or those with reduced physical, sensory or mental capabilities, or lack of experience and knowledge to touch the styler whilst it is cooling.

#### operation

Ensure that hair is towel dried (not dripping wet) before using the ghd appliance



1. Heat resistant-storage bag / mat
2. Heated barrel plate
3. Heated bristles
4. Non-heated plastic bristles
5. Raised finger guard. Avoid holding or touching the ghd hair dryer brush beyond this feature.
6. Hair dryer brush handle
7. On/Off Switch and indicator light
8. Air Inlet
9. Power cord
10. Cleaning brush

a. Plug the ghd 2-in-1 hair dryer brush into the power supply. The ghd 2-in-1 hair dryer brush will momentarily flash around the ON/OFF switch and beep to indicate that it is connected and is in standby mode.

**After washing your hair, towel-dry it thoroughly.**

**Do not allow excess water from your hair or any other source to come into contact with the ghd 2-in-1 hair dryer brush.**

**Whilst using the brush, be careful not to block the air inlet at the back of the device or the air outlet around the barrel plate. This could cause the device to go into fail safe mode.**

b. To turn on the ghd 2-in-1 hair dryer brush, slide the ON/OFF switch into the ON position.

- c. The ghd 2-in-1 hair dryer brush will play a short start-up tune and a light will pulse to indicate that the ghd hair dryer brush is heating up and the fan will gradually ramp up in speed.
- d. Once ready the ghd 2-in-1 hair dryer brush will play a short 'ready to use' tone.
- e. Once ready the ghd 2-in-1 hair dryer brush will play a short 'ready to use' tone and the light around the on/off switch will stop pulsing and be continuous.
- f. When you have finished your styling session, slide the ON/OFF switch into the OFF position.

When the product is switched off the fan will gently ramp down. This helps to blow residual heat out from the air heater.

Once turned OFF, unplug the ghd hair dryer brush from the power supply and allow it to cool in a safe place or store in the supplied heat resistant bag/mat.

#### The ghd 2-in-1 hair dryer brush has the following safety features:

- Sleep mode:** The ghd 2-in-1 hair dryer brush has two sleep mode settings:
  - If the ghd 2-in-1 hair dryer brush has been left on and has not been used for more than ~30 minutes, a safety feature will automatically turn the ghd 2-in-1 hair dryer brush off.
  - After 60 minutes, a safety feature will automatically turn the ghd 2-in-1 hair dryer brush off, even if it is still in use.
  - The ghd 2-in-1 hair dryer brush will play the shut-down tune, the heated barrel plate will start to cool and the fan will switch off
  - To re-start the ghd 2-in-1 hair dryer brush while it is in sleep mode, simply slide the power button off and on again until the start-up tune sounds.

Note that although the ghd 2-in-1 hair dryer brush is turned off, it is still connected to the mains and should be unplugged from the mains electricity at the earliest opportunity.

- Protect mode:** The ghd 2-in-1 hair dryer brush can protect itself against adverse events or power fluctuations, for safety the heated barrel plate will turn off, hair dryer brush will emit a bleep and the light will flash white every five seconds. If this occurs un-plug and re-plug at the power supply and then re-start.
- Fail safe:** in the unlikely event of a control system error, for safety the heaters will turn off, the ghd 2-in-1 hair dryer brush will emit rapid beeps and the light will flash red every 5 seconds. If this occurs switch off the ghd 2-in-1 hair dryer brush at the power supply and re-start. If the unit does not re-start or the problem persists, contact ghd Customer Service for advice.

### user maintenance instructions

#### Cleaning your ghd 2-in-1 hair dryer brush

To ensure that your ghd 2-in-1 hair dryer brush operates at the optimum efficiency, always ensure that the rear filter and barrel air outlets are kept clear by regularly cleaning them with the brush supplied. Damage caused by failure to comply with these cleaning instructions is not covered by the manufacturer's guarantee.

- Unplug the ghd 2-in-1 hair dryer brush from the mains power supply.
- Always allow the ghd 2-in-1 hair dryer brush to cool before attempting to clean it.
- Never immerse the appliance in water.
- Wipe the outside of the ghd 2-in-1 hair dryer brush with a damp cloth. Do not use sharp or abrasive detergents or corrosive products.

- Gently remove any dust, hair and wetline residue from the rear filter and heated barrel plate air outlets using the cleaning brush provided.

#### Storage

- Always allow the ghd 2-in-1 hair dryer brush to cool in a safe place or store in the supplied heat resistant bag/mat.
- When the ghd 2-in-1 hair dryer brush has cooled down, fold the power cord in the same way as it was first delivered in its packaging. Do not wrap the supply cord around the ghd 2-in-1 hair dryer brush as this can strain the cord and cause premature supply cord failure.

### failure to operate

Your ghd styling appliance is a high performance product and if the unit is subjected to large fluctuation in mains power during use it may go into protect or fail-safe mode to protect the unit from damage. Therefore, in the unlikely event that your ghd product does not operate correctly, check that your ghd product and mains power supply are switched on, and that power is available.

If your product stops working and the white or red fault light flashes, please follow the procedure below:

- Switch off the unit
- Unplug the unit from the plug socket
- Wait for 5 seconds and then plug the unit back into the wall
- Switch the unit back on

If this occurs repeatedly, please contact your local ghd service centre.

For UK plugs, please ensure that the fitted fuse is intact and functioning; if it is not replace it with an identically rated British Standard Fuse.

If in doubt or for further advice, please visit the help section of [ghdhair.com](http://ghdhair.com) or contact an approved ghd stockist or contact ghd Customer Service for further advice.

### manufacturer's guarantee

All ghd electrical products are individually tested before leaving the factory. However, in the unlikely event of the product proving defective due to faulty workmanship or materials, then, at its sole discretion, ghd will replace the product at no charge with an identical or equivalent product within two years from the original date of purchase. A replacement product assumes the remaining guarantee of the original product or 180 days, whichever provides longer coverage for you. When a product is exchanged, any replacement item becomes your property and the replaced item becomes property of ghd.

To claim under this guarantee please visit 'ghdhair.com/returns' and follow the onscreen instructions to complete your return. Please ensure that you include a proof of purchase with any returned product. Therefore, please ensure you keep your proof of purchase in a safe place.

This guarantee only applies to genuine ghd products purchased through ghd-approved stockists and does not cover products repaired or serviced by anyone

other than ghd personnel or ghd representatives. Note that this guarantee may be invalidated where serial numbers or identification have been erased, damaged or modified. This does not affect your statutory rights.

Neither Jemella Group Limited nor its subsidiaries provides replacement parts for any of its electrical units. If you do not have access to the internet please return your ghd electrical product to the closest ghd address as printed in this leaflet or on the packaging, together with your proof of purchase. For customers in Australia and New Zealand, please phone your closest ghd office on the number printed in this leaflet.

#### Australia only

The mandatory text for the supply of goods and services after 9 June 2019 is: Our goods and services come with guarantees that cannot be excluded under the Australian Consumer Law. For major failures with the service, you are entitled:

- to cancel your service contract with us; and
- to a refund for the unused portion, or to compensation for its reduced value.

You are also entitled to choose a refund or replacement for major failures with goods. If a failure with the goods or a service does not amount to a major failure, you are entitled to have the failure rectified in a reasonable time. If this is not done you are entitled to a refund for the goods and to cancel the contract for the service and obtain a refund of any unused portion.

You are also entitled to be compensated for any other reasonably foreseeable loss or damage from a failure in the goods or service.

### recycling and disposal

Your ghd electrical product is classified as 'electrical or electronic equipment' and must not be disposed of with other household or commercial waste at the end of its working life. When you have no further use for your ghd product, please dispose of it according to your local authority's recycling procedure. For more information contact your local authority.

#### UK/EU only

Your ghd electrical product should be disposed of in accordance with the WEEE directive (Waste Electrical and Electronic Equipment 2002/96/EC), which ensures that products are recycled using the best available methods and practices to minimise any potential damage to the environment. For more information, contact your local authority or the retailer from whom you purchased this product.

#### compliance

This ghd hair dryer brush is compliant with BS EN 60335-2-23 and carries the CE mark. Other approvals include the USA, Australia/New Zealand and South Africa. Manufactured for ghd UK. Jemella Ltd. ghd UK, 82 Dean Street, London, W1D 3SP, UK

**Jemella Ltd****ghd UK**

ghd UK: 0845 330 1133  
 ghd Republic of Ireland: +44 1924 423 400

**ghd Returns**

Phase 3 (Chilton House)  
 Sherwood Park  
 Annesley  
 Nottingham  
 NG15 0DJ  
 UK

**ghd South Africa**

ghd South Africa: 086 010 9366  
**ghd South Africa (Pty) Ltd**  
 PO Box 818  
 Gillitts  
 3603  
 South Africa

**ghd Australia**

ghd Australia: 1300 443 424  
**Jemella Australia Pty Ltd**  
 PO Box 15516  
 City East  
 Queensland 4002  
 Australia

**ghd New Zealand**

ghd New Zealand: 0800 880 209  
**Jemella New Zealand Ltd**  
 ghd New Zealand  
 Private Bag 211030  
 Laurence Stevens Drive  
 Auckland 2154  
 New Zealand



ghdhair.com

Model Number: B2A551

ghd duet blowdry

ghd and ghd are registered trade marks of Jemella Group Limited.

© Jemella Group Limited 2023

Designed in Cambridge, UK. Made in China.

Not to be reproduced

**Important : consignes de sécurité**

Avant de commencer à utiliser cette brosse soufflante 2-en-1 ghd, pour votre sécurité et celle des autres, veuillez lire attentivement et respecter les précautions de sécurité qui suivent, sans exception et à chaque fois que vous utilisez votre brosse soufflante 2-en-1 ghd.

Afin de réduire les risques de brûlures, d'électrocution, d'incendie ou de blessures, veuillez lire et respecter ces consignes de sécurité avant d'utiliser votre brosse soufflante 2-en-1 ghd.

Cette brosse soufflante 2-en-1 ghd doit être utilisée uniquement comme appareil de séchage et de coiffage, et seulement avec des produits spécifiquement conçus pour un appareil de coiffage chauffant, telle que la trousse thermorésistante ghd avec tapis intégré.

**Manipuler votre brosse soufflante 2-en-1 ghd**

La brosse soufflante 2-en-1 ghd contient des composants high-tech fragiles ; veillez à ne pas faire tomber l'appareil. N'introduisez pas d'objets étrangers, ne peignez pas, ne brûlez pas et ne démontez pas votre brosse soufflante 2-en-1 ghd. N'utilisez pas votre brosse soufflante 2-en-1 ghd si elle est endommagée; si le corps de la brosse soufflante est fissuré, par exemple. Si le produit est endommagé à cause d'une utilisation inadaptée ou d'un mauvais traitement, il ne sera pas couvert par la garantie. Ceci n'affecte en aucun cas les droits statutaires dont vous bénéficiez en vertu des textes applicables.

**Cet appareil peut être utilisé par des enfants âgés de 8 ans et plus, ainsi que par des personnes présentant des déficiences physiques, sensorielles ou mentales, ou encore un manque d'expérience et de connaissances, à condition qu'elles aient reçu une assistance et une formation adéquates sur son utilisation en toute sécurité,**

**et qu'elles comprennent les risques inhérents, encadrées par une personne en charge de leur sécurité.**

**Les enfants ne doivent pas jouer avec l'appareil. Le nettoyage et l'entretien ne doivent pas être effectués par des enfants sans surveillance.**

**RISQUE DE BRÛLURE : gardez l'appareil hors de portée des**

**enfants, particulièrement lors de l'utilisation et de la période de refroidissement après usage.**

**Ne jamais laisser l'appareil sans surveillance lorsque celui-ci est relié à une source d'alimentation.**

La brosse soufflante 2-en-1 ghd ne convient pas à une utilisation sur des cheveux synthétiques.

Si vous avez les cheveux colorés, il est possible que votre couleur tache de façon permanente votre brosse soufflante 2-en-1 ghd.

**MISE EN GARDE : ne pas utiliser cet appareil près de l'eau**

**MISE EN GARDE : ne pas utiliser cet appareil à proximité des baignoires, des douches, des lavabos ou autres récipients contenant de l'eau.**



**1. Lorsque la brosse soufflante 2-en-1 ghd est utilisée dans une salle de bain, débranchez-la après**

**usage, car la proximité de l'eau présente un danger même lorsque l'appareil est éteint.**

**2. Pour une meilleure protection lors de l'utilisation de ce produit, il est recommandé d'installer un dispositif différentiel résiduel (DDR) ayant un courant de fonctionnement ne dépassant pas 30 mA.**

- 3. Ne pas placer dans l'eau ni sous un jet d'eau, même pour le nettoyer.**
- 4. DANGER : ne jamais utiliser la brosse soufflante 2-en-1 ghd avec des mains mouillées, à proximité de l'eau ou d'une baignoire ni de tout autre récipient contenant de l'eau (ou tout autre liquide).**

- 5. Ne tentez pas de toucher l'appareil s'il est tombé dans l'eau.**
- 6. Ne vaporisez pas et n'appliquez pas de produits de coiffage liquides directement sur la brosse soufflante 2-en-1 ghd.**
- 7. Ne pas laisser à la portée des enfants.**

#### attention : électricité

Comme pour la plupart des appareils électriques, les composants électriques sont sous tension même lorsque l'interrupteur indique que l'appareil est éteint.

Pour réduire les risques d'électrocution :

**N'utilisez jamais l'appareil si celui-ci ne fonctionne pas correctement, si le cordon ou la prise sont endommagés. Si le câble d'alimentation est endommagé, il doit être remplacé par le fabricant Jemella Ltd, ou son service après-vente ou des**

#### personnes de qualification similaire afin d'éviter un danger.

- N'utiliser qu'avec une alimentation de 220-240 V, 50-60 Hz.
- Ne jamais laisser l'appareil sans surveillance lorsqu'il est branché.
- Tenir le câble d'alimentation éloigné des surfaces chaudes. Ne pas enrouler le câble d'alimentation autour de l'appareil. Ne pas suspendre la brosse soufflante 2-en-1 ghd par le câble d'alimentation.
- Ne pas utiliser l'appareil si le câble est endommagé.
- Ne pas tirer ou tendre le câble d'alimentation et ne pas débrancher l'appareil en tirant sur le câble. Éteignez la brosse soufflante 2-en-1 ghd grâce à l'interrupteur, puis débranchez la fiche.
- Toujours débrancher la brosse soufflante 2-en-1 ghd immédiatement après usage.
- Ne pas utiliser de rallonge électrique avec cet appareil.
- Ne pas utiliser de convertisseur de tension ou de générateur avec cet appareil.

9. Votre produit ghd est un dispositif électrique de classe II et ne doit pas être branché à une prise de terre.
10. Toute erreur de branchement de la brosse soufflante 2-en-1 ghd peut provoquer des dommages irréparables, non couverts par la garantie.
11. Si votre brosse soufflante 2-en-1 ghd est endommagée ou défectueuse, arrêtez immédiatement toute utilisation et contactez ghd France aux coordonnées indiquées.
12. Votre brosse soufflante 2-en-1 ghd ne peut être réparée qu'avec des outils spécifiques et par des experts ghd qualifiés.
13. AVERTISSEMENT : le non-respect de ces précautions de sécurité peut entraîner une électrocution ou d'autres blessures !

**La brosse soufflante 2-en-1 ghd doit être débranchée de la prise de courant ;**

1. Avant de procéder au nettoyage et à l'entretien de l'appareil.
2. En cas de dysfonctionnement.
3. Immédiatement après toute utilisation.
4. Si vous quittez la pièce (même temporairement).

#### attention : surfaces chaudes

Le corps de la brosse soufflante 2-en-1 ghd atteint une température élevée pour un coiffage efficace.

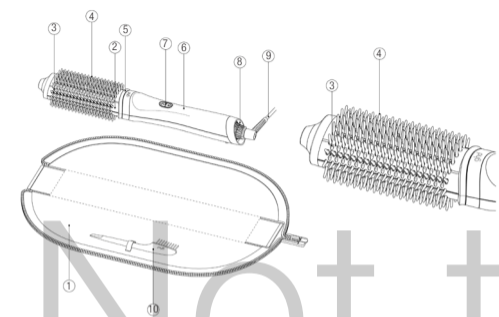
Pour réduire les risques de brûlures :

1. Ne JAMAIS toucher le corps de la brosse soufflante 2-en-1 ghd.
2. Évitez de tenir ou de toucher la brosse soufflante 2-en-1 ghd au-delà de l'emplacement de sécurité pour les doigts.
3. Entre deux prises en main, posez toujours la brosse soufflante 2-en-1 ghd sur une surface non sensible à la chaleur, telle que le tapis thermorésistant ghd.
4. Lorsque le coiffage est terminé, éteignez toujours la brosse soufflante 2-en-1 ghd et débranchez-la de la source d'alimentation.
5. Attendez que la brosse soufflante 2-en-1 ghd ait refroidi avant de la ranger.
6. Après coiffage, le corps de l'outil reste chaud. Pour un refroidissement en toute sécurité, positionnez la brosse soufflante 2-en-1 ghd dans sa trousse avec tapis thermorésistant intégré.
7. Une fois que la brosse soufflante 2-en-1 ghd a refroidi, repliez le câble d'alimentation de la même façon que lorsque celui-ci a été livré dans son emballage. N'enroulez pas le câble autour de la main ou de la brosse soufflante 2-en-1 ghd afin d'éviter son usure prématurée.



## Votre brosse soufflante 2-en-1 ghd peut attirer l'attention de vos enfants. Assurez-vous de toujours ranger votre brosse soufflante 2-en-1 ghd hors de la portée des enfants, particulièrement durant son utilisation et pendant qu'elle refroidit.

Pour un refroidissement en toute sécurité, positionnez la brosse soufflante 2-en-1 ghd dans sa trousse avec tapis thermorésistant intégré. ATTENTION : même une fois à l'intérieur de son tapis thermorésistant intégré, le corps chauffant de la brosse soufflante 2-en-1 ghd reste très chaud. Ne touchez pas le corps chauffant et ne laissez pas les enfants ou les personnes présentant des déficiences physiques, sensorielles ou mentales, ou encore un manque d'expérience et de connaissances toucher la brosse soufflante 2-en-1 ghd lorsqu'elle refroidit.



### utilisation

Assurez-vous d'avoir pré-séché vos cheveux à l'aide d'une serviette avant d'utiliser l'appareil ghd.

1. Pochette thermorésistante ghd avec tapis intégré
2. Corps chauffant
3. Picots chauffants
4. Picots en plastique non chauffants

5. Emplacement de sécurité pour les doigts. Évitez de tenir ou de toucher la brosse soufflante 2-en-1 ghd au-delà de cette marque.
6. Manche de la brosse soufflante 2-en-1 ghd
7. Interrupteur On/Off et voyant lumineux
8. Entrée d'air
9. Câble d'alimentation
10. Brosse de nettoyage

- a. Branchez la brosse soufflante 2-en-1 ghd sur la prise secteur. Le voyant lumineux autour de l'interrupteur ON/OFF clignotera momentanément et émettra une courte mélodie pour indiquer que l'appareil est connecté et en mode veille.

Après le shampoing, pré-séchez bien les cheveux à l'aide d'une serviette.

Veillez à ce qu'aucun excédent d'eau de vos cheveux ou de toute autre source n'entre en contact avec la brosse soufflante 2-en-1 ghd. Lorsque vous utilisez la brosse soufflante 2-en-1 ghd, faites attention à ne pas bloquer l'entrée d'air à l'arrière de l'appareil ou la sortie d'air autour du corps chauffant. La brosse soufflante 2-en-1 ghd pourrait alors se mettre en sécurité.

- b. Pour allumer la brosse soufflante 2-en-1 ghd, faites glisser l'interrupteur ON/OFF sur la position ON.
- c. La brosse soufflante 2-en-1 ghd va émettre une brève tonalité de démarrage et un voyant lumineux va clignoter pour indiquer que l'appareil chauffe, puis le ventilateur va progressivement prendre de la vitesse.

- d. Une fois à la bonne température, la brosse soufflante 2-en-1 ghd va émettre une courte mélodie pour indiquer qu'elle est « prête à l'emploi ».
- e. Une fois à la bonne température, la brosse soufflante 2-en-1 ghd émettra une courte mélodie et le voyant lumineux autour de l'interrupteur on/off restera allumé pour indiquer que l'appareil est prêt à l'emploi.
- f. Faire glisser l'interrupteur ON/OFF sur la position OFF une fois votre séance de coiffage terminée.

Lorsque vous éteignez l'appareil, le ventilateur s'arrête progressivement. Cela permet d'évacuer la chaleur résiduelle du réchauffeur d'air.

Une fois en position OFF, débranchez la brosse soufflante 2-en-1 ghd et laissez-la refroidir en lieu sûr ou bien rangez-la dans la trousse thermorésistante avec tapis intégré qui vous a été fournie.

La brosse soufflante 2-en-1 ghd est dotée des fonctionnalités de sécurité suivantes :

1. **Mode veille** : la brosse soufflante 2-en-1 ghd se met en veille dans les deux cas suivants :
  - a. Si la brosse soufflante 2-en-1 ghd est restée allumée et n'a pas été utilisée pendant plus de 30 minutes, une fonction de sécurité l'éteint automatiquement.
  - b. Après 60 minutes, une fonction de sécurité va automatiquement éteindre la brosse soufflante 2-en-1 ghd, même si elle est encore en cours d'utilisation.
  - c. La brosse soufflante 2-en-1 ghd émettra la mélodie d'arrêt, le corps chauffant commencera à refroidir, et le ventilateur s'arrêtera.
  - d. Pour redémarrer la brosse soufflante 2-en-1 ghd lorsqu'elle est en mode veille, faites simplement glisser le bouton d'alimentation sur OFF puis ON jusqu'à entendre la tonalité de démarrage.

Notez que, bien que la brosse soufflante 2-en-1 ghd soit éteinte, elle est toujours branchée au secteur et doit être débranchée dès que possible.

2. **Mode protection** : la brosse soufflante 2-en-1 ghd peut se mettre en mode protection contre tout événement indésirable ou fluctuation de puissance. Pour plus de sécurité, le corps chauffant s'éteindra, la brosse soufflante 2-en-1 ghd émettra une courte mélodie et le voyant lumineux clignotera toutes les cinq secondes. Si cela se produit, débranchez l'appareil au niveau de l'alimentation puis redémarrez-le.
3. **Sécurité** : dans le cas exceptionnel d'une erreur du système de contrôle, le corps chauffant s'éteindra par mesure de sécurité, la brosse soufflante 2-en-1 ghd émettra des tonalités rapides et le voyant lumineux clignotera en rouge toutes les cinq secondes. Si cela se produit, débranchez l'appareil au niveau de l'alimentation puis redémarrez-le. Si l'appareil ne redémarre pas ou si le problème persiste, contactez le service client ghd France.

### prendre soin de votre appareil

#### Nettoyer votre brosse soufflante 2-en-1 ghd

Afin d'assurer l'efficacité optimale de votre brosse soufflante 2-en-1 ghd, veillez toujours à ce que le filtre arrière et les sorties d'air du corps chauffant restent propres en les nettoyant régulièrement avec la brosse fournie. Les dommages liés au non-respect de ces instructions de nettoyage ne sont pas couverts par la garantie du fabricant.

1. Débranchez la brosse soufflante 2-en-1 ghd de l'alimentation électrique.
2. Laissez toujours la brosse soufflante 2-en-1 ghd refroidir avant d'essayer de la nettoyer.

3. Ne plongez jamais l'appareil dans l'eau.
4. Essayez l'extérieur de la brosse soufflante 2-en-1 ghd à l'aide d'un chiffon humide. Ne pas utiliser de produit de nettoyage puissant ou abrasif ni de produits corrosifs.
5. Retirez délicatement la poussière, les cheveux et tout résidu de produit coiffant du filtre arrière et des sorties d'air du corps chauffant à l'aide de la brosse de nettoyage fournie.

#### Rangement

1. Toujours laisser la brosse soufflante 2-en-1 ghd refroidir en lieu sûr ou bien la ranger dans la trousse thermorésistante avec tapis intégré qui vous a été fournie.
2. Une fois que la brosse soufflante 2-en-1 ghd a refroidi, pliez le câble d'alimentation de la même façon que lorsque celui-ci a été livré dans son emballage. Ne pas enrouler le câble autour de la brosse soufflante 2-en-1 ghd afin d'éviter que cela ne fragilise le câble et entraîne son usure prématurée.

#### défaut de fonctionnement

Votre appareil de coiffage ghd est un produit haute performance et, s'il est soumis à de grandes fluctuations d'alimentation électrique lors de son utilisation, il peut se mettre en mode protection ou sécurité pour se protéger de tout dommage. Par conséquent, dans le cas exceptionnel d'un défaut de fonctionnement de votre produit, vérifiez que votre appareil et la prise de courant sont bien allumés, et assurez-vous qu'il y ait de l'électricité.

Si votre appareil cesse de fonctionner et que le voyant blanc ou rouge d'avertissement clignote, suivez la procédure ci-dessous :

1. Arrêtez l'appareil.
2. Débranchez l'appareil du secteur.
3. Attendez cinq secondes puis rebranchez l'appareil sur le secteur.
4. Remettez l'appareil en marche.

Si ce problème se reproduit, veuillez contacter le service client ghd France.

Pour les prises du Royaume-Uni, veillez à ce que le fusible installé soit adapté, intact et en état de fonctionnement ; si ce n'est pas le cas, remplacez-le par un fusible standard britannique de même classification.

En cas de doute, ou si vous souhaitez obtenir des conseils supplémentaires, consultez notre rubrique d'aide sur [ghd.com/fr](http://ghd.com/fr) ou contactez un distributeur ghd agréé ou le service client ghd France.

## garantie du fabricant

Tous les produits électriques ghd sont testés individuellement avant de quitter l'usine. Néanmoins, dans le cas exceptionnel où votre produit ghd présenterait un défaut de fabrication ou de main-d'œuvre, à sa seule initiative, ghd s'engage à remplacer votre produit gracieusement par un produit identique ou équivalent, dans les 2 ans à compter de la date d'achat. Un produit de remplacement suppose que la garantie résiduelle est égale à celle du produit original ou à 180 jours, en



fonction de ce qui est le plus avantageux pour l'utilisateur. Quand un produit est échangé, le produit de remplacement devient votre propriété et le produit remplacé devient propriété de ghd.

Pour retourner un produit sous garantie, si vous êtes domicilié en France, Corse ou dans les DOM-TOM, veuillez-vous diriger sur notre site internet où vous pourrez suivre les instructions de retour : '[ghd.com/fr/returns](http://ghd.com/fr/returns)'. Merci de toujours accompagner votre produit d'une preuve d'achat. Conservez votre preuve d'achat en lieu sûr.

La garantie concerne uniquement les produits ghd authentiques achetés chez des distributeurs ghd agréés. Elle ne couvre pas les produits réparés ou entretenus par des personnes autres que le personnel ou les représentants de ghd. Il convient de noter que la garantie peut être annulée lorsque les numéros de série ou d'identification ont été effacés, endommagés ou modifiés. Ceci n'affecte en aucun cas les droits statutaires dont vous bénéficiez en vertu des textes applicables.

Ni Jemella ni ses filiales ne fournissent des pièces détachées de remplacement pour ses appareils électriques. Si vous n'avez pas accès à Internet, merci de bien vouloir retourner votre appareil électrique à l'adresse la plus proche indiquée sur ce document, accompagné de sa preuve d'achat. Pour les personnes résidant en Australie ou en Nouvelle-Zélande, merci de bien vouloir contacter l'entité ghd la plus proche au numéro de téléphone indiqué sur ce document.

## recyclage et destruction

Votre appareil électrique ghd est classé comme « équipement électrique ou électronique » et ne doit pas être jeté avec d'autres déchets ménagers ou commerciaux en fin de vie. Quand votre appareil électrique ghd n'est plus utilisable, merci de bien vouloir le jeter conformément aux procédures de recyclage en vigueur. Pour de plus amples informations, contactez les autorités locales compétentes ou le revendeur auprès duquel vous avez acheté ce produit.

### Royaume-Uni / Europe uniquement

La directive de l'UE sur les déchets électriques et électroniques (DEEE) (2002/96/CE) exige que les appareils électriques ghd soient recyclés en faisant appel aux meilleures techniques disponibles afin de minimiser l'impact sur l'environnement, de traiter toutes les substances dangereuses éventuelles et d'éviter d'augmenter les volumes rejetés dans les décharges publiques. Pour de plus amples informations, contactez les autorités locales compétentes ou le revendeur auprès duquel vous avez acheté ce produit.

### conformité

Cette brosse soufflante 2-en-1 ghd est conforme à la norme BS EN 60335-2-23 et porte le marquage CE & UKCA. Elle est également agréée aux États-Unis, en Australie / Nouvelle-Zélande et en Afrique du Sud. Développée pour ghd UK Jemella Ltd. ghd UK, 82 Dean Street, London, W1D 3SP, UK

## ghd France S.a.r.l

ghd France : 04 78 35 46 10  
Le Campus  
18, chemin des Cuers  
CS 50235  
69574 Dardilly Cedex  
France



[ghd.com](http://ghd.com)

Model Number: B2A552

ghd duet blowdry

ghd et ghd sont des marques déposées de Jemella Group Limited.

© Jemella Group Limited 2023

Développée à Cambridge, Royaume-Uni. Fabriquée en Chine.

**Wichtige Sicherheitsanweisungen**

Bevor Sie diese ghd 2-in-1 Hair Dryer Brush verwenden, lesen Sie bitte zu Ihrer eigenen Sicherheit und der anderer Personen die nachstehenden Sicherheitshinweise sorgfältig durch und befolgen Sie diese ausnahmslos, wenn Sie Ihre ghd 2-in-1 Hair Dryer Brush verwenden.

Um das Risiko von Verbrennungen, Stromschlägen, Bränden oder Verletzungen zu verringern, lesen und befolgen Sie diese Sicherheitshinweise, bevor Sie Ihre ghd Hair Dryer Brush verwenden.

Diese ghd 2-in-1 Hair Dryer Brush darf nur als Trocknungs- und Stylinghilfe und nur mit Produkten verwendet werden, die speziell für die Verwendung mit einer beheizten Haarstylinghilfe wie der ghd Hitzeschutztasche/-matte entwickelt wurden.

**Handhabung Ihrer ghd 2-in-1 Hair Dryer Brush**

Die ghd 2-in-1 Hair Dryer Brush enthält empfindliche Hightech-Bauteile. Achten Sie daher darauf, dass das Produkt nicht fallen gelassen wird. Stecken Sie keine Fremdkörper hinein, bemalen, verbrennen oder zerlegen Sie Ihre ghd 2-in-1 Hair Dryer Brush nicht. Verwenden Sie Ihre ghd 2-in-1 Hair Dryer Brush nicht, wenn sie beschädigt ist, z. B. wenn das Gehäuse der Hair Dryer Brush einen Riss aufweist. Wenn Ihr Produkt durch unsachgemäßen Gebrauch oder Missbrauch beschädigt wurde, fällt dies nicht unter Ihre Garantie. Ihre gesetzlichen Rechte bleiben davon unberührt.

**Dieses Gerät kann von Kindern ab 8 Jahren und darüber sowie von Personen mit verringerten physischen, sensorischen oder geistigen Fähigkeiten oder Mangel an Erfahrung und Wissen benutzt werden, wenn sie von einer für ihre Sicherheit verantwortlichen Person beaufsichtigt oder bezüglich des sicheren Gebrauchs des Geräts unterwiesen wurden und die damit**

**verbundenen Gefahren verstehen.**

**Kinder dürfen nicht mit dem Gerät spielen. Die Reinigung und Wartung durch den Benutzer darf nicht von Kindern ohne Aufsicht durchgeführt werden.**

**VERBRENNUNGSGEFAHR: Halten Sie das Gerät außerhalb der Reichweite von Kindern, insbesondere**

**während des Gebrauchs und während der Abkühlphase nach dem Gebrauch.**

**Wenn das Gerät an das Stromnetz angeschlossen ist, lassen Sie es niemals unbeaufsichtigt.**

Die ghd 2-in-1 Hair Dryer Brush ist nicht für die Verwendung mit synthetischem Haar geeignet.

Es ist möglich, dass die Farbe dauerhaft auf die ghd 2-in-1 Hair Dryer Brush übertragen wird, wenn sie auf gefärbtem Haar verwendet wird.

**Warnung: von Wasser fernhalten**

**Verwenden Sie dieses Gerät nicht in einer Badewanne, Dusche oder einem mit Wasser gefüllten Behälter.**



**1. Wenn die Hair Dryer Brush in einem Badezimmer verwendet wird, ziehen Sie nach dem Gebrauch den**

**Netzstecker, da die Nähe von Wasser eine Gefahr darstellt, auch wenn die Hair Dryer Brush ausgeschaltet ist.**

**2. Für zusätzlichen Schutz wird bei der Verwendung dieses Produkts die Installation eines Fehlerstromschutzschalters (RCD) mit einem Betriebsstrom von höchstens 30 mA empfohlen.**

**3. Nicht eintauchen oder unter fließendes Wasser halten, auch nicht zu Reinigungszwecken.**

**4. ACHTUNG: Verwenden Sie die ghd 2-in-1 Hair Dryer Brush niemals mit nassen Händen, in oder in der Nähe von Wasser oder in der Nähe von Badewannen, Waschbecken oder anderen Behältern, die**

**Wasser (oder eine andere Flüssigkeit) enthalten.**

**5. Greifen Sie nicht nach dem Gerät, wenn es ins Wasser gefallen ist.**

**6. Sprühen Sie keine nassen Stylinghilfsmittel direkt auf die ghd Hair Dryer Brush und tragen Sie diese nicht auf.**

**7. Nicht in der Reichweite von Kindern aufbewahren.**

#### Warnung: Elektrizität

Wie bei den meisten Elektrogeräten stehen elektrische Teile unter Spannung, auch wenn der Schalter ausgeschaltet ist.

Um das Risiko eines Stromschlags zu verringern:

**Nehmen Sie das Gerät niemals in Betrieb, wenn es nicht ordnungsgemäß funktioniert oder wenn das Netzkabel oder der Netzstecker beschädigt ist. Wenn das Netzkabel oder der Netzstecker beschädigt sind, müssen sie von Jemella Ltd. ersetzt werden.**

1. Nur bei einer Stromversorgung von 220-240 V, 50-60 Hz verwenden.

2. Lassen Sie das Gerät niemals unbeaufsichtigt, wenn es eingesteckt ist.

3. Halten Sie das Netzkabel von erhitzten Oberflächen fern. Wickeln Sie das Netzkabel nicht um das Gerät. Hängen Sie die ghd Hair Dryer Brush nicht am Netzkabel auf.

4. Nicht verwenden, wenn das Kabel beschädigt ist.

5. Ziehen Sie nicht am Netzkabel und ziehen Sie den Stecker nicht durch Ziehen am Kabel aus der Steckdose, sondern trennen Sie die ghd 2-in-1 Hair Dryer Brush durch Ausschalten des Netzschalters und anschließendes Ziehen des Steckers.

6. Ziehen Sie den Stecker der ghd 2-in-1 Hair Dryer Brush nach dem Gebrauch immer sofort heraus.

7. Verwenden Sie für dieses Gerät kein Verlängerungskabel.

8. Verwenden Sie mit diesem Gerät keinen Spannungsumrichter oder Generator.

9. Ihr ghd Produkt ist ein elektrisches Gerät der Klasse II und darf nicht an einen Erdungsanschluss angeschlossen werden.

10. Jeder Fehler beim Anschließen der ghd 2-in-1 Hair Dryer Brush kann zu irreparablen Schäden führen, die nicht durch die Garantie abgedeckt sind.

11. Wenn Ihre ghd 2-in-1 Hair Dryer Brush kaputt ist oder nicht richtig funktioniert, stellen Sie den Gebrauch sofort ein und wenden Sie sich an ghd (Jemella Ltd), siehe Kontaktinformationen.

12. Ihre ghd 2-in-1 Hair Dryer Brush kann nur mit Spezialwerkzeugen und von qualifizierten Experten von ghd repariert werden.

13. ACHTUNG: Die Nichtbeachtung dieser Sicherheitsvorkehrungen kann zu einem elektrischen Schlag oder anderen Verletzungen führen!



**Die ghd 2-in-1 Hair Dryer Brush muss von der Netzsteckdose getrennt werden:**

1. Vor Reinigungs- und Wartungsarbeiten.
2. Wenn dieses nicht richtig funktioniert.
3. Sobald Sie die Anwendung beendet haben.
4. Wenn Sie den Raum verlassen, auch nur kurzzeitig.

#### Warnung: Heiße Oberflächen

Die ghd 2-in-1 Hair Dryer Brush mit beheizter Bürstenkopfplatte ist heiß für effektives Styling.

Um das Risiko von Verbrennungen zu verringern:

1. Berühren Sie NIEMALS die beheizte Bürstenkopfplatte der Hair Dryer Brush.

2. Vermeiden Sie es, die Hair Dryer Brush über den erhöhten Fingerschutz hinaus zu halten oder zu berühren.

3. Legen Sie die Hair Dryer Brush immer auf eine flache, hitzebeständige Unterlage wie z. B. eine ghd styler Hitzeschutzmatte, wenn Sie nicht stylen.

4. Schalten Sie die Hair Dryer Brush nach dem Styling immer aus und ziehen Sie den Stecker aus der Steckdose.

5. Warten Sie, bis die Hair Dryer Brush abgekühlt ist, bevor Sie sie aufbewahren.

6. Nach dem Styling bleibt die Bürstenkopfplatte heiß - zum sicheren Abkühlen können Sie die Bürste in die hitzebeständige Aufbewahrungstasche/-matte legen.

7. Wenn die Hair Dryer Brush abgekühlt ist, falten Sie das Netzkabel so, wie es in der Verpackung geliefert wurde. Wickeln Sie es nicht um Ihre Hand oder den Körper der Hair Dryer Brush, da dies zu einem vorzeitigen Ausfall des Netzkabels führen kann.

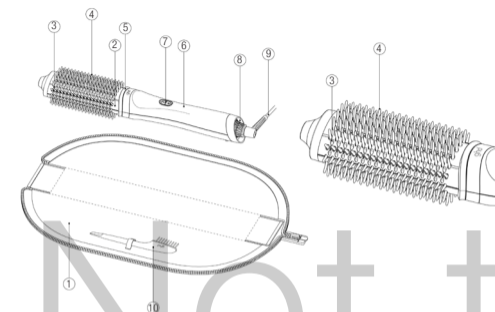
**Ihre ghd 2-in-1 Hair Dryer Brush ist nicht nur für Sie attraktiv, sondern auch für Kindern. Stellen Sie jederzeit sicher, dass Ihre 2-in-1**

## Haartrocknungsbürste außer Reichweite von Kindern aufbewahrt wird, vor allem während des Gebrauchs, insbesondere beim Abkühlen.

Legen Sie die ghd 2-in-1 Hair Dryer Brush zum sicheren Abkühlen in/auf der hitzebeständigen Aufbewahrungstasche/-matte ab.  
**WARNUNG:** Auch wenn sich die Hair Dryer Brush in der hitzebeständigen Aufbewahrungstasche/-matte befindet, ist die beheizte Bürstenkopfplatte der ghd-Haarbürste noch sehr heiß. Berühren Sie die Bürstenkopfplatte nicht und erlauben Sie Kindern oder Personen mit eingeschränkten körperlichen, sensorischen oder geistigen Fähigkeiten oder mangelnder Erfahrung und Kenntnis nicht, den Styler zu berühren, während er abkühlt.

### Betrieb

**Vergewissern Sie sich, dass das Haar handtuchtrocken (nicht tropfnass) ist, bevor Sie das ghd-Gerät verwenden.**



1. Hitzebeständige Aufbewahrungstasche/-matte
2. Beheizte Bürstenkopfplatte
3. Beheizte Borsten
4. Nicht-beheizte Plastikborsten
5. Erhöhter Fingerschutz. Vermeiden Sie es, die ghd-Haartrocknungsbürste über diesen Bereich hinaus zu halten oder zu berühren.
6. Hair Dryer Brush-Griff
7. Ein/Aus-Schalter und Kontrollleuchte

8. Lufteingang
9. Netzkabel
10. Reinigungsbürste

- a. Schließen Sie die ghd 2-in-1 Hair Dryer Brush an das Stromnetz an. Die ghd 2-in-1 Hair Dryer Brush blinkt kurz um den EIN/AUS-Schalter herum und piept, um anzuzeigen, dass sie angeschlossen ist und sich im Standby-Modus befindet.

**Trocknen Sie Ihr Haar nach dem Waschen gründlich mit dem Handtuch.**

**Achten Sie darauf, dass kein überschüssiges Wasser aus Ihrem Haar oder aus anderen Quellen mit der ghd 2-in-1 Hair Dryer Brush in Kontakt kommt.**

**Achten Sie bei der Verwendung der Hair Dryer Brush darauf, dass Sie nicht den Lufteinlass an der Rückseite des Geräts oder den Luftauslass im Bereich der Bürstenkopfplatte blockieren. Dies könnte dazu führen, dass das Gerät in den Schutzmodus geht.**

- a. Um die ghd 2-in-1 Hair Dryer Brush einzuschalten, schieben Sie den EIN/AUS-Schalter in die Position EIN.
- b. Die ghd 2-in-1 Hair Dryer Brush spielt eine kurze Einschaltmelodie und ein Licht pulsiert, um anzuzeigen, dass sich die ghd Hair Dryer Brush aufheizt und das Gebläse allmählich seine Geschwindigkeit erhöht.
- c. Sobald die ghd 2-in-1 Hair Dryer Brush betriebsbereit ist, ertönt ein kurzes Tonsignal und die Leuchte um den Ein/Aus-Schalter hört auf zu pulsieren und leuchtet dauerhaft.

- e. Wenn Sie Ihr Styling beendet haben, schieben Sie den ON/OFF-Schalter in die OFF-Position.

Wenn das Gerät ausgeschaltet wird, fährt das Gebläse sanft herunter. Dadurch wird die Restwärme aus dem Luft-Heizelement herausgeblasen.

Ziehen Sie nach dem Ausschalten den Stecker der ghd Hair Dryer Brush aus der Steckdose. Vom Stromnetz trennen und an einem sicheren Ort abkühlen lassen oder in der mitgelieferten hitzebeständigen Tasche/Matte aufbewahren.

**Die ghd 2-in-1 Hair Dryer Brush verfügt über die folgenden Sicherheitsmerkmale:**

1. **Sleep mode:** Die ghd 2-in-1 Hair Dryer Brush verfügt über zwei Schlafmodus-Einstellungen:
  - a. Wenn die ghd 2-in-1 Hair Dryer Brush eingeschaltet bleibt und länger als ~30 Minuten nicht benutzt wird, schaltet eine Sicherheitsfunktion die ghd 2-in-1 Hair Dryer Brush automatisch aus.
  - b. Nach 60 Minuten schaltet eine Sicherheitsfunktion die ghd 2-in-1 Hair Dryer Brush automatisch aus, auch wenn sie noch in Gebrauch ist.
  - c. Die ghd 2-in-1 Hair Dryer Brush spielt die Abschaltmelodie, die beheizte Trommelplatte beginnt abzukühlen und das Gebläse schaltet sich aus.
  - d. Um die ghd 2-in-1 Hair Dryer Brush im Schlafmodus wieder zu starten, schieben Sie einfach den Netzschalter aus und wieder ein, bis die Startmelodie ertönt.

Beachten Sie, dass die ghd 2-in-1 Hair Dryer Brush zwar ausgeschaltet ist, aber immer noch an das Stromnetz angeschlossen ist und bei nächster Gelegenheit vom Stromnetz getrennt werden sollte.

2. **Schutzmodus:** Die ghd 2-in-1 Hair Dryer Brush kann sich selbst vor ungünstigen Ereignissen oder Stromschwankungen schützen. Zur Sicherheit

schaltet sich die beheizte Trommelplatte aus, die Hair Dryer Brush gibt einen Signalton ab und das Licht blinkt alle fünf Sekunden weiß. Ziehen Sie in diesem Fall den Stecker aus der Steckdose, stecken Sie ihn wieder ein und starten Sie das Gerät erneut.

3. **Fail-Safe:** Im unwahrscheinlichen Fall eines Fehlers im Steuersystem schalten sich zur Sicherheit die Heizelemente aus, die ghd 2-in-1 Hair Dryer Brush gibt schnelle Pieptöne ab und die Lampe blinkt alle 5 Sekunden rot. Schalten Sie in diesem Fall die ghd 2-in-1 Hair Dryer Brush an der Stromversorgung aus und starten Sie sie erneut. Wenn sich das Gerät nicht wieder einschalten lässt oder das Problem weiterhin besteht, wenden Sie sich an den ghd-Kundendienst, um Rat zu erhalten.

### Wartungshinweise für den Benutzer

#### Reinigung Ihrer ghd 2-in-1 Hair Dryer Brush

Um sicherzustellen, dass Ihre ghd 2-in-1 Hair Dryer Brush mit optimaler Effizienz arbeitet, stellen Sie sicher, dass der hintere Filter und die Luftauslässe der Trommel immer frei sind, indem Sie sie regelmäßig mit der mitgelieferten Bürste reinigen. Schäden, die durch Nichtbeachtung dieser Reinigungsanweisungen verursacht werden, sind nicht durch die Herstellergarantie abgedeckt.

1. Ziehen Sie den Netzstecker der ghd 2-in-1 Hair Dryer Brush aus der Steckdose.
2. Lassen Sie die ghd 2-in-1 Hair Dryer Brush immer abkühlen, bevor Sie sie reinigen.
3. Tauchen Sie das Gerät niemals in Wasser ein.

4. Wischen Sie die Außenseite der ghd 2-in-1 Hair Dryer Brush mit einem feuchten Tuch ab. Verwenden Sie keine scharfen oder scheuernden Reinigungsmittel oder ätzende Produkte.
5. Entfernen Sie mit der mitgelieferten Reinigungsbürste vorsichtig alle Staub-, Haar- und Nasserückstände von den Luftauslässen des hinteren Filters und der beheizten Bürstenkopfplatte.

#### Lagerung

1. Lassen Sie die ghd 2-in-1 Hair Dryer Brush immer an einem sicheren Ort abkühlen oder bewahren Sie sie in der mitgelieferten hitzebeständigen Tasche/Matte auf.
2. Wenn die ghd 2-in-1 Hair Dryer Brush abgekühlt ist, falten Sie das Netzkabel so, wie es in der Verpackung geliefert wurde. Wickeln Sie das Netzkabel nicht um die ghd 2-in-1 Hair Dryer Brush, da dies das Kabel belasten und zu einem vorzeitigen Ausfall des Netzkabels führen kann.

### Betriebsstörung

Ihr ghd Stylinggerät ist ein Hochleistungsprodukt. Wenn das Gerät während des Gebrauchs starken Schwankungen der Netzspannung ausgesetzt ist, kann es in den Schutz- oder Sicherheitsmodus wechseln, um das Gerät vor Schäden zu schützen. Prüfen Sie daher in dem unwahrscheinlichen Fall, dass Ihr ghd-Produkt nicht ordnungsgemäß funktioniert, ob Ihr ghd-Produkt und die Netzstromversorgung eingeschaltet sind und ob Strom vorhanden ist.

Wenn Ihr Produkt nicht mehr funktioniert und die weiße oder rote Störungsleuchte blinkt, gehen Sie bitte wie folgt vor:

1. Schalten Sie das Gerät aus
2. Ziehen Sie den Stecker des Geräts aus der Steckdose
3. Warten Sie 5 Sekunden und schließen Sie das Gerät dann wieder an die Steckdose an.
4. Schalten Sie das Gerät wieder ein

Wenn dies wiederholt auftritt, wenden Sie sich bitte an Ihr lokales ghd Service Center.

Bei britischen Steckern vergewissern Sie sich bitte, dass die eingebaute Sicherung intakt und funktionsfähig ist; ist dies nicht der Fall, ersetzen Sie sie durch eine gleichwertige Sicherung nach britischem Standard.

Im Zweifelsfall oder für weitere Ratschläge besuchen Sie bitte den Hilfebereich von [ghd.com/de](http://ghd.com/de) oder wenden Sie sich an einen zugelassenen ghd-Fachhändler oder an den ghd-Kundendienst, um weiteren Rat zu erhalten.

## Herstellergarantie

Alle elektrischen Produkte von ghd werden vor dem Verlassen des Werks einzeln getestet. Sollte sich jedoch der unwahrscheinliche Fall ergeben, dass das Produkt aufgrund von Verarbeitungs- oder Materialfehlern defekt ist, wird ghd das Produkt nach eigenem Ermessen innerhalb von zwei Jahren ab dem ursprünglichen Kaufdatum kostenlos durch ein identisches oder gleichwertiges Produkt ersetzen. Ein Ersatzprodukt übernimmt die verbleibende Garantiezeit des Originalprodukts oder 180 Tage, je nachdem, was für Sie länger gilt. Wenn ein Produkt umgetauscht wird, geht jedes Ersatzprodukt in Ihr Eigentum über und das ersetzte Produkt in das Eigentum von ghd.

Um diese Garantie in Anspruch zu nehmen, besuchen Sie bitte "[ghd.com/de/returns](http://ghd.com/de/returns)" und folgen Sie den Anweisungen auf dem Bildschirm, um Ihre Rückgabe abzuschließen. Bitte achten Sie darauf, dass Sie der Rücksendung einen Kaufbeleg beifügen. Bewahren Sie den Kaufbeleg daher bitte an einem sicheren Ort auf.



Diese Garantie gilt nur für ghd-Originalprodukte, die bei von ghd zugelassenen Händlern gekauft wurden, und erstreckt sich nicht auf Produkte, die von anderen Personen als ghd-Mitarbeitern oder ghd-Vertretern repariert oder gewartet wurden. Beachten Sie, dass diese Garantie ungültig werden kann, wenn Seriennummern oder Kennzeichnungen gelöscht, beschädigt oder verändert wurden. Dies beeinträchtigt nicht Ihre gesetzlichen Rechte.

Weder die Jemella Group Limited noch ihre Tochtergesellschaften bieten Ersatzteile für ihre Elektrogeräte an. Wenn Sie keinen Zugang zum Internet haben, senden Sie Ihr ghd-Elektrogerät bitte zusammen mit Ihrem Kaufbeleg an die nächstgelegene ghd-Adresse, die in dieser Broschüre oder auf der Verpackung angegeben ist. Kunden in Australien und Neuseeland wenden sich bitte telefonisch an die nächstgelegene ghd Niederlassung unter der in dieser Broschüre angegebenen Nummer.

### Nur Australien

Der obligatorische Text für die Lieferung von Waren und Dienstleistungen nach dem 9. Juni 2019 lautet: Unsere Waren und Dienstleistungen sind mit Garantien verbunden, die nach dem australischen Verbraucherrecht nicht ausgeschlossen werden können. Bei schwerwiegenden Mängeln an der Dienstleistung sind Sie berechtigt:

- Ihren Dienstleistungsvertrag mit uns zu kündigen; und
- eine Rückerstattung für den nicht genutzten Teil oder eine Entschädigung für den geminderten Wert.

Bei größeren Mängeln an Waren haben Sie ebenfalls das Recht auf Erstattung oder Ersatz.

Handelt es sich bei einem Fehler an einer Ware oder einer Dienstleistung nicht um einen schwerwiegenden Fehler, haben Sie das Recht, den Fehler innerhalb einer angemessenen Frist beheben zu lassen. Geschieht dies nicht, haben Sie Anspruch auf Rückerstattung des Kaufpreises für die Waren und auf Rückgängigmachung des Vertrags für die Dienstleistung sowie auf Erstattung des nicht genutzten Teils.

Sie haben auch Anspruch auf Entschädigung für jeden anderen vernünftigerweise vorhersehbaren Verlust oder Schaden, der durch einen Fehler in den Waren oder der Dienstleistung entsteht.

## Recycling und Entsorgung

Ihr ghd Elektroprodukt ist als "elektrisches oder elektronisches Gerät" eingestuft und darf am Ende seiner Lebensdauer nicht zusammen mit anderem Haushalts- oder Gewerbeabfall entsorgt werden. Wenn Sie Ihr ghd-Produkt nicht mehr benötigen, entsorgen Sie es bitte gemäß dem Recyclingverfahren Ihrer örtlichen Behörde. Für weitere Informationen wenden Sie sich bitte an Ihre Gemeindeverwaltung.

### Nur UK/EU

Ihr ghd Elektroprodukt sollte in Übereinstimmung mit der WEEE-Richtlinie (Waste Electrical and Electronic Equipment 2002/96/EC) entsorgt werden, die sicherstellt, dass Produkte unter Verwendung der besten verfügbaren Methoden und Verfahren recycelt werden, um mögliche Umweltschäden zu minimieren. Weitere Informationen erhalten Sie bei Ihrer Gemeindeverwaltung oder dem Händler, bei dem Sie dieses Produkt gekauft haben.

### Konformitätserklärung

Diese ghd Haartrocknungsbürste entspricht der Norm BS EN 60335-2-23 und trägt das CE-Zeichen. Weitere Zulassungen gibt es in den USA, Australien/ Neuseeland und Südafrika. Hergestellt für ghd UK. Jemella Ltd. ghd UK, 82 Dean Street, London, W1D 3SP, UK

## ghd Deutschland GmbH

ghd Deutschland +49 (0)711 620 319 60  
[info@ghd.com](mailto:info@ghd.com)  
 ghd Deutschland GmbH  
 Dornhaldenstraße 10/1  
 70199 Stuttgart  
 Germany

## ghd Switzerland

ghd Switzerland +41 61 486 71 11  
 Wella Switzerland SARL  
 Biningerstraße 94  
 4123 Allschwil  
 Schweiz



[ghd.com/de](http://ghd.com/de)

Model Number: B2A551

ghd duet blowdry

ghd and ghd sind eingetragene Handelsmarken der Jemella Group Limited.

© Jemella Group Limited 2023

Design in Cambridge, UK. Hergestellt in China.

**importante: instrucciones de seguridad**

Antes de comenzar a utilizar este cepillo ghd de aire caliente 2 en 1, por tu seguridad y la de los demás, lee atentamente las precauciones de seguridad que se detallan a continuación y síguelas, sin excepción, en todo momento cuando utilices tu cepillo ghd de aire caliente 2 en 1.

Para reducir el riesgo de quemaduras, electrocución, incendio o lesiones a personas, lee y sigue estas instrucciones de seguridad antes de utilizar tu cepillo ghd de aire caliente.

Este cepillo ghd de aire caliente 2 en 1 solo debe utilizarse como secador o para ayudar a fijar el peinado, y solo con productos específicamente diseñados para el peinado con calor como el neceser térmico de ghd.

**Manejo de tu cepillo ghd de aire caliente 2 en 1**

El cepillo ghd de aire caliente 2 en 1 contiene componentes de alta tecnología y sensibilidad, por lo tanto, por favor asegúrate de que el producto no se caiga. No introduzcas objetos extraños, pintes, quemes o desmontes el cepillo ghd de aire caliente 2 en 1. No utilices el cepillo ghd de aire caliente 2 en 1 si se ha dañado - por ejemplo, si el cuerpo del cepillo ghd de aire caliente está agrietado. Si el producto está dañado por mal uso o abuso, esto no será cubierto por su garantía. Esto no afecta a tus derechos legales.

**Este aparato puede ser usado por niños mayores de 8 años de edad y por personas con capacidades físicas, sensoriales o mentales reducidas o falta de experiencia y conocimientos siempre que hayan recibido supervisión o instrucciones, con respecto al uso del aparato de manera segura y entiendan los peligros involucrados,**

**de un responsable de su seguridad.**

**Los niños no deben jugar con el aparato. La limpieza y mantenimiento no deberá realizarse por niños sin supervisión.**

**PELIGRO DE QUEMADURAS: mantén el aparato fuera del alcance de los niños, especialmente durante el uso y durante el enfriamiento después del uso.**

**Cuando el aparato esté conectado a una fuente de alimentación, nunca lo dejes desatendido.**

El cepillo ghd de aire caliente 2 en 1 no es apropiado para usar en cabello sintético o pelucas.

Si se utiliza el cepillo ghd de aire caliente 2 en 1 sobre cabello teñido es posible que el color pueda traspasar a la herramienta.

**peligro: mantener apartado del agua**

**No utilizar este aparato en una bañera, lavabo o recipiente lleno de agua.**



**1. Cuando el cepillo de aire caliente se utilice en un cuarto de baño, desenchúfalo después de su uso, ya que la proximidad al agua representa un peligro incluso cuando el cepillo de aire caliente está apagado.**

**2. Para una mayor protección, es aconsejable instalar un**

**dispositivo de corriente residual (RCD) con una corriente nominal de funcionamiento residual no superior a 30 mA en el circuito eléctrico que da suministro al baño.**

**3. No sumergir ni colocar bajo agua, ni siquiera con el fin de limpiar.**

**4. PELIGRO: nunca utilices el cepillo ghd de aire caliente 2 en 1 con las**

manos mojadas, ni cerca de agua, ni bañeras u otros recipientes que contengan agua (o cualquier otro tipo de líquido)

5. No toques el aparato si se ha caído dentro del agua.

6. No apliques líquidos ni productos de peinado húmedos directamente sobre el cepillo ghd de aire caliente.

## 7. No dejar al alcance de los niños.

### advertencia: electricidad

Como ocurre con la mayoría de los aparatos eléctricos, los componentes eléctricos siguen bajo tensión eléctrica, incluso con el interruptor en posición de apagado.

#### Para reducir el riesgo de electrocución:

**Nunca utilices este aparato si no está funcionando correctamente, o si tiene dañado el cable de alimentación o enchufe. Si el cable de alimentación**

## o el enchufe están dañados, ghd España debe reemplazar el producto.

1. Úsalo solo con una fuente de alimentación de 220–240 V, 50-60 Hz
2. El aparato nunca debe dejarse sin vigilancia cuando está enchufado
3. Mantén el cable de alimentación alejado de superficies calientes. No enrolles el cable de alimentación alrededor del aparato. No cuelgues el cepillo ghd de aire caliente por el cable de alimentación
4. No utilices el aparato si el cable está dañado
5. No fuerces ni tires del cable de alimentación para desenchufar el aparato. Es importante que apagues primero el cepillo ghd de aire caliente 2 en 1 y luego desconectes el cable
6. Desconecta inmediatamente tu cepillo ghd de aire caliente 2 en 1 tras su uso
7. No utilices un cable de extensión con este aparato
8. No utilices un inversor de voltaje o generador con este aparato

9. Este producto ghd es un aparato de clase II y no debe ser conectado a una toma de tierra
10. Cualquier error que se realice al conectar tu cepillo ghd de aire caliente 2 en 1 puede ser irreparable y no ser cubierto por la garantía
11. Si tu cepillo ghd de aire caliente 2 en 1 está dañado o no funciona correctamente, apágalo inmediatamente y contacta con atención al cliente de ghd España
12. Tu cepillo ghd de aire caliente 2 en 1 solo puede ser reparado utilizando herramientas especiales y por un experto ghd
13. PRECAUCIÓN: ¡el incumplimiento de estas instrucciones de seguridad puede causar descargas eléctricas u otras lesiones!

### El cepillo ghd de aire caliente 2 en 1 debe ser desconectado de la toma de corriente

1. Antes de proceder a limpiar el aparato
2. Si no funciona correctamente
3. Tan pronto como hayas terminado de utilizarla
4. Si abandonas la zona donde se encuentra, aunque sea un momento

### advertencia - superficies calientes

El barril del cepillo ghd de aire caliente 2 en 1 se calienta para conseguir un peinado eficaz.

#### Para reducir el riesgo de quemaduras:

1. NUNCA toques el barril del cepillo de aire caliente cuando esté caliente.
2. Evita sujetar o tocar el cepillo de aire caliente por encima de la marca de seguridad de la carcasa.
3. Cuando no estés utilizando el cepillo de aire caliente, colócalo sobre una superficie resistente al calor, como la alfombrilla del estuche térmico ghd.
4. Cuando hayas terminado de usar el cepillo de aire caliente, siempre debes apagar y desenchufar el mismo de la fuente de alimentación.
5. Deja que tu cepillo de aire caliente se haya enfriado antes de guardarlo.
6. Tras finalizar el peinado, el barril permanece caliente; para un enfriamiento seguro, puedes guardar el cepillo en el neceser o alfombrilla térmica.
7. Una vez que el cepillo de aire caliente se haya enfriado, dobla el cable de la misma manera que estaba cuando la sacaste de su embalaje por primera vez. No lo enrolles en la mano ni alrededor del cuerpo del cepillo de aire caliente ya que esto puede provocar un fallo prematuro del cable de alimentación.

**Tu cepillo ghd de aire caliente 2 en 1 no sólo te resulta atractivo a**

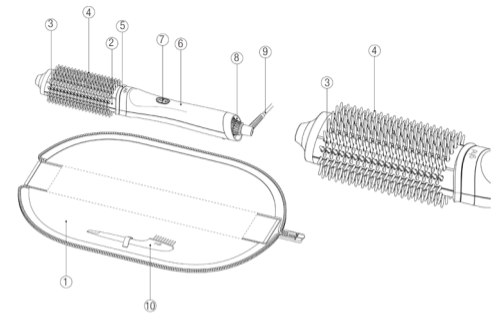
**ti, también a tus niños. Por favor, asegúrate de mantener siempre tu cepillo ghd de aire caliente 2 en 1 fuera del alcance de los niños durante su uso y mientras se está enfriando.**

Para que se enfríe de forma segura, guarda el cepillo ghd de aire caliente 2 en 1 dentro del neceser / alfombrilla térmica.

ALERTA: incluso con el cepillo de aire caliente dentro del neceser, el barril sigue estando muy caliente, no lo toques bajo ningún concepto, ni permitas a niños o personas con discapacidad sensorial, física o mental reducida o sin experiencia, tocar el cepillo mientras se está enfriando.

### funcionamiento

Quita el exceso de agua del cabello con una toalla antes de usar el aparato ghd



1. Neceser/ alfombrilla térmica
2. Placa del barril térmico
3. Púas térmicas
4. Púas de plástico no térmicas
5. Marca de seguridad para dedos. Evita sujetar o tocar el cepillo ghd de aire caliente por encima de la marca de la carcasa
6. Mango del cepillo de aire caliente
7. Botón e indicador de encendido/apagado (ON/OFF)

8. Entrada de aire
9. Cable de alimentación
10. Cepillo limpiador

- a. Enchufa el cepillo ghd de aire caliente 2 en 1 a la fuente de alimentación. El cepillo ghd de aire caliente 2 en 1 parpadeará alrededor del interruptor ON/OFF y emitirá un sonido para indicar que está conectado a una fuente de alimentación y se encuentra en modo de espera.

#### Después de lavarte el cabello, sécalo bien con una toalla.

**No permitas que el exceso de agua de tu cabello o de cualquier otra fuente entre en contacto con el cepillo ghd de aire caliente 2 en 1. Mientras estés usando el cepillo, evita bloquear la entrada de aire en la parte posterior del aparato o la salida de aire alrededor del barril. Esto podría hacer que el cepillo ghd entre en modo de prueba de fallos.**

- b. Para encender tu cepillo ghd de aire caliente 2 en 1, desliza el interruptor de ON/OFF a la posición ON (encendido).
- c. El cepillo ghd de aire caliente 2 en 1 emitirá una melodía de encendido corta y una luz parpadeará para indicar que el cepillo ghd de aire caliente se está calentando y el ventilador aumentará gradualmente la velocidad.
- d. Una vez esté listo para usar el cepillo ghd de aire caliente 2 en 1, reproducirá un tono leve indicando que ya está "listo para usar".
- e. Una vez esté listo para usar el cepillo ghd de aire caliente 2 en 1, reproducirá un tono leve indicando que ya está "listo para usar" y la luz permanecerá encendida para indicar que está lista para usar.

- f. Cuando hayas terminado de peinarte, desliza el interruptor de encendido (ON) a la posición de apagado (OFF).

Cuando el producto se apaga el ventilador baja suavemente. Esto ayuda a expulsar el calor residual del calentador de aire.

Una vez apagado, desenchúfalo de la fuente de alimentación y déjalo enfriar en un lugar seguro o en el neceser/ alfombrilla térmica suministrada.

#### El cepillo ghd de aire caliente 2 en 1 cuenta con las siguientes características de seguridad:

1. **Modo suspensión:** El cepillo ghd de aire caliente 2 en 1 cuenta con dos opciones para entrar en modo de suspensión:
  - a. Si se ha dejado encendido el cepillo ghd de aire caliente y no se ha utilizado durante más de 30 minutos, se apagará automáticamente a modo de seguridad.
  - b. Pasados 60 minutos, a modo de seguridad el cepillo ghd de aire caliente 2 en 1 se apagará automáticamente incluso si está todavía siendo usada.
  - c. El cepillo ghd de aire caliente reproducirá una melodía de apagado, el barril comenzarán a enfriarse y el ventilador se apagará.
  - d. Para reiniciar tu cepillo ghd de aire caliente mientras está en modo de suspensión, simplemente desliza el botón de modo OFF a ON hasta que suene la melodía de encendido.

Ten en cuenta que, aunque el cepillo ghd de aire caliente está apagado, todavía está conectado a la red eléctrica y debe desconectarse de la red lo antes posible.

2. **Modo protección:** el cepillo ghd de aire caliente se protege contra eventos adversos o fluctuaciones de energía, por seguridad el barril se apagará, el cepillo de aire caliente emitirá un pitido y la luz parpadeará en blanco

cada cinco segundos. Si esto ocurre desenchufa y vuelve a enchufar a la corriente y luego vuelve a encenderlo.

3. **A prueba de fallos:** en el improbable caso de que haya algún error del sistema de control, para tu seguridad los calentadores se apagarán, el cepillo ghd de aire caliente emitirá señales acústicas rápidas y la luz parpadeará de color rojo cada 5 segundos. Si ocurre esto, apaga el cepillo ghd de la fuente de alimentación y vuelve a encenderlo. Si la unidad no se enciende de nuevo o persiste el problema, por favor pónete en contacto con el servicio de Atención al Cliente de ghd España.

## instrucciones de mantenimiento

### Limpieza de tu cepillo ghd de aire caliente

Para asegurar que tu cepillo ghd de aire caliente funciona con la máxima eficiencia, asegúrate de que el filtro trasero y las salidas de aire del barril se mantienen siempre limpios, limpiándolos regularmente con el cepillo suministrado. Los daños causados por incumplimiento de estas instrucciones de limpieza no estarán cubiertos por la garantía del fabricante.

1. Desconecta tu cepillo ghd de aire caliente de la fuente de alimentación a la red.
2. Deja siempre que tu cepillo ghd de aire caliente se enfríe antes de limpiarlo.
3. No sumerjas nunca el aparato en agua.
4. Limpia el mango y el barril del cepillo ghd de aire caliente con un paño húmedo. No uses detergentes fuertes ni abrasivos o productos corrosivos.
5. Quita con cuidado el polvo y el cabello del filtro trasero y las salidas de aire del barril utilizando el cepillo limpiador suministrado.

### almacenamiento

1. Deja siempre que tu cepillo ghd de aire caliente se enfríe antes de guardarlo en un lugar seguro o en el neceser térmico proporcionado.
2. Cuando el cepillo ghd de aire caliente se haya enfriado, dobla el cable de alimentación de la misma forma en la que fue entregado por primera vez en su embalaje. No envuelvas el cable de alimentación alrededor del aparato ya que esto puede forzar el cable y provocar un fallo prematuro del cable de alimentación.

## fallos en el funcionamiento

Tu cepillo ghd es un producto de alto rendimiento y si la unidad es sometida a grandes fluctuaciones de la alimentación eléctrica durante el uso, podría entrar en modo de protección o a prueba de fallos para protegerla de daños. Por lo tanto, en el caso poco probable de que tu producto ghd no funcione correctamente, comprueba que tanto el aparato como la toma de corriente estén en posición de encendido y que haya corriente eléctrica.

Si el producto deja de funcionar y parpadea la luz blanca o roja de fallo, sigue estos pasos:

1. Apaga el interruptor de la unidad
2. Desenchufa la unidad de la toma de corriente
3. Espera 5 segundos y vuelve a enchufar la unidad en la toma de corriente de la pared
4. Vuelve a encender el interruptor de la unidad

Si el problema se produce de forma repetida, ponte en contacto con el Servicio de Atención al Cliente de ghd España.

Para enchufes del Reino Unido, asegúrate de que el fusible instalado esté intacto y en funcionamiento; si no lo está, reemplázalo con un fusible estándar británico de igual clasificación.

En caso de duda o para obtener más información, consulta la sección de ayuda de [ghd.com/es](http://ghd.com/es) o ponte en contacto con un distribuidor autorizado de ghd o con el Servicio de Atención al Cliente de ghd España.

## garantía del fabricante

Todos los productos eléctricos han sido comprobados individualmente antes de salir de fábrica. Sin embargo, en el improbable caso de que el producto resultase defectuoso por mano de obra o materiales, ghd sustituirá el producto, a su entera discreción y sin coste alguno, por un producto idéntico o equivalente durante dentro del periodo de garantía que por ley se ofrece a los consumidores. El producto de sustitución asume la restante garantía del producto original o durante 180 días (lo que supone un mayor periodo de cobertura). Al cambiar un producto, el artículo de sustitución pasa a ser de tu propiedad y el artículo sustituido pasa a ser propiedad de ghd.

Para acogerte a esta garantía, te recomendamos que visites '[www.ghdserviciotecnico.com](http://www.ghdserviciotecnico.com)' para informarte de como debes hacer la devolución. Por favor, asegúrate de que incluyes el comprobante de compra y esta garantía con cualquier producto devuelto. Por tanto, asegúrate de que conservas el justificante de compra en un lugar seguro.

Esta garantía sólo es válida para los productos originales ghd adquiridos a través de distribuidores autorizados por ghd, y no cubre productos que hayan sido reparados o revisados por cualquiera que no sea el Servicio Técnico Oficial de ghd. Ten en cuenta que esta garantía puede ser anulada cuando los números de serie o de identificación se han borrado, dañado o modificado. Esto no afecta a sus derechos legales.



Ni Jemella Group Limited ni sus filiales proveen repuestos para cualquiera de sus unidades eléctricas. Si no tienes acceso a Internet, por favor contacta con el Servicio Técnico de ghd España a través del teléfono 952 587 375.

#### Solo Australia

La obligación para el suministro de bienes y servicios desde el 9 de junio de 2019 es la siguiente: Nuestros bienes y servicios vienen con garantías que no pueden ser excluidas según la Ley Australiana del Consumidor. Para fallos importantes en el servicio, usted tiene derecho a:

- cancelar su contrato de servicio con nosotros; y
- obtener un reembolso por la parte no utilizada o una compensación por su valor reducido.

También tiene derecho a elegir un reembolso o reemplazo por fallos importantes en los bienes. Si un fallo en los bienes o un servicio no constituye un fallo importante, usted tiene derecho a que se corrija en un tiempo razonable. Si esto no se realiza, tiene derecho a un reembolso por los bienes y a cancelar el contrato del servicio y obtener un reembolso por cualquier parte no utilizada.

También tiene derecho a ser compensado por cualquier otra pérdida o daño razonablemente previsible debido a un fallo en los bienes o servicios.

#### reciclaje y eliminación

Tu producto eléctrico ghd se clasifica como "equipo eléctrico o electrónico" y no debe desecharse junto a la basura u otros desperdicios al final de su vida útil. Cuando no utilices más tu producto ghd, deséchalo de acuerdo con el procedimiento de reciclaje de tu ayuntamiento. Tu cepillo ghd debe eliminarse de acuerdo con la Directiva RAEE (Residuos de Aparatos Eléctricos y Electrónicos 2002/96/EC) que asegura que los productos se reciclan utilizando los mejores métodos y prácticas para minimizar cualquier daño potencial al medio ambiente. Para obtener más información, póngate en contacto con tu ayuntamiento o con el distribuidor donde adquiriste este producto.

#### solo UE/Reino Unido

Tu producto eléctrico ghd debe eliminarse de acuerdo con la directiva WEEE (Waste Electrical and Electronic Equipment 2002/96/EC) que asegura que los productos se reciclan utilizando los métodos y las mejores prácticas disponibles para minimizar los posibles daños al medio ambiente. Para obtener más información, ponte en contacto con el Servicio de Atención al cliente de ghd España a través del teléfono 952 587 375.

#### cumplimiento

El cepillo ghd de aire caliente cumple la norma BS EN 60335-2-23 e incorpora la marca CE. También está homologada en EE.UU, Australia / Nueva Zelanda y Sudáfrica. Fabricado para ghd UK. Jemella Ltd. ghd UK, 82 Dean Street, London, W1D 3SP, UK

#### ghd España

Edif. Nescania  
C/ Santa Lucia, s/n  
Pol. Ind. La Leala  
Arroyo de la Miel  
29631 Málaga  
España



ghdhair.com

Modelo Número: B2A551

ghd duet blowdry

ghd y ghd son marcas registradas por Jemella Group Limited.

© Jemella Group Limited 2023

Diseñado en Cambridge, Reino Unido. Fabricado en China.

**importanti istruzioni di sicurezza**

Prima di utilizzare la spazzola asciugacapelli 2 in 1 di ghd, per la sicurezza tua e degli altri, leggi attentamente le misure di sicurezza riportate di seguito e rispettale, senza eccezioni, in ogni momento ogni volta che utilizzi la spazzola asciugacapelli 2 in 1 di ghd.

Per ridurre il rischio di ustioni, elettrocuzione, incendi o danni a persone, leggere attentamente e seguire le seguenti istruzioni di sicurezza prima di utilizzare la spazzola asciugacapelli 2 in 1 di ghd.

L'utilizzo della spazzola asciugacapelli 2 in 1 di ghd è previsto solo per l'hairstyling ed esclusivamente con accessori appositamente creati per lo styling a caldo come il tappetino resistente al calore ghd.

**Maneggiare la spazzola asciugacapelli 2 in 1 di ghd con cura**

La spazzola asciugacapelli 2 in 1 di ghd contiene delle componenti tecnologiche delicate, per questo motivo raccomandiamo di non farla cadere. Non inserire componenti estranei, non dipingere, non bruciare o smontare la spazzola asciugacapelli 2 in 1 di ghd. Non usare la spazzola asciugacapelli 2 in 1 di ghd se è danneggiata, per esempio se il suo rivestimento risulta rotto. Se il prodotto è danneggiato a causa di un uso improprio non sarà coperto dalla garanzia. Quanto indicato lascia impregiudicati i vostri diritti legali previsti dalla normativa vigente.

**Questo apparecchio può essere utilizzato da bambini dagli 8 anni in su e da persone con ridotte capacità fisiche, sensoriali o mentali o con scarsa esperienza e conoscenza, a condizione che siano stati supervisionati o che abbiano ricevuto le opportune indicazioni sull'uso sicuro dell'apparecchio in modo tale da comprenderne i pericoli, da parte di una**

**persona responsabile della loro sicurezza.**

**Non è consentito ai bambini giocare con questo apparecchio. Le operazioni di manutenzione e pulizia non devono essere effettuate da bambini senza sorveglianza.**

**PERICOLO DI USTIONE: tenere l'apparecchio fuori dalla portata dei bambini,**

**in particolare durante l'uso e durante il raffreddamento. Quando l'apparecchio è collegato all'alimentazione elettrica non lasciarlo mai incustodito.**

La spazzola asciugacapelli 2 in 1 di ghd non è adatta all'utilizzo su capelli sintetici.

È possibile che i capelli rilascino del colore sulla spazzola asciugacapelli 2 in 1 di ghd in modo permanente se questa viene usata su capelli tinti.

**avvertenza: tenere lontano dall'acqua**

**Non utilizzare questo apparecchio nella vasca da bagno, in doccia o bacinella piena d'acqua.**



**1. Quando si utilizza l'apparecchio in bagno, scollegarlo dalla presa di corrente subito dopo l'uso, poiché la vicinanza**

**dell'acqua rappresenta un rischio anche quando è spento.**

**2. Per una maggiore sicurezza, per l'uso del prodotto si raccomanda l'installazione di un dispositivo di corrente residua (RCD) con valore di corrente di esercizio residua nominale non superiore a 30 mA nel circuito elettrico del**

**bagno. Per ulteriori informazioni, rivolgersi all'installatore o a un elettricista qualificato.**

**3. Non immergere o mettere sotto l'acqua corrente, neppure per la pulizia.**

**4. ATTENZIONE: non utilizzare mai la spazzola asciugacapelli 2 in 1 di ghd con le mani bagnate, dentro o vicino all'acqua o vicino a vasche da**

**bagno, bacinelle o altri recipienti contenenti acqua (o qualsiasi altro liquido).**

**5. Non tentare di raggiungere l'apparecchio se è caduto in acqua.**

**6. Non spruzzare né applicare prodotti di styling umidi o a base d'acqua sulla spazzola asciugacapelli 2 in 1 di ghd.**

**7. Non lasciare alla portata dei bambini.**

**attenzione: elettricità**

Come accade con la maggior parte degli apparecchi elettrici, le componenti elettriche rimangono attive anche quando l'apparecchio è spento.

**Per ridurre il rischio di elettrocuzione:**

**Non mettere mai in funzione lo strumento se non funziona correttamente, o se il cavo di alimentazione o la spina sono danneggiati. Se il cavo di alimentazione**

**o la spina sono danneggiati, devono essere sostituiti da ghd Italia S.r.l.**

1. Utilizzare solo con una tensione di 110–240V, 50/60 Hz.
2. L'apparecchio non deve mai essere lasciato incustodito se collegato alla presa.
3. Tenere il cavo di alimentazione lontano da superfici calde. Non avvolgere il cavo di alimentazione attorno all'apparecchio. Non appendere la spazzola asciugacapelli 2 in 1 di ghd utilizzando il cavo di alimentazione.
4. Non utilizzare se il cavo è danneggiato.
5. Non tirare o stratonare il cavo di alimentazione e non scollegare tirando il cavo, piuttosto scollegare la spazzola asciugacapelli 2 in 1 di ghd prima spegnendo l'apparecchio e poi rimuovendo la spina.
6. Staccare sempre e immediatamente la spina della spazzola asciugacapelli 2 in 1 di ghd dopo l'utilizzo.
7. Non utilizzare una prolunga di alimentazione con questo apparecchio.

8. Non utilizzare un inverter o un generatore di tensione con questo apparecchio.

9. Il tuo prodotto ghd appartiene alla classe II degli apparecchi elettrici e non deve avere la messa a terra dell'impianto.

10. Qualsiasi errore commesso durante il collegamento della spazzola asciugacapelli 2 in 1 di ghd può causare danni irreparabili, non coperti dalla garanzia.

11. Se la tua spazzola asciugacapelli 2 in 1 di ghd si è rotta o non funziona correttamente, interrompi immediatamente l'utilizzo e contatta ghd (Jemella Ltd), consulta i contatti.

12. La tua spazzola asciugacapelli 2 in 1 di ghd può essere riparata solo utilizzando strumenti specializzati e da esperti qualificati di ghd.

13. ATTENZIONE: la mancata osservanza di queste misure di sicurezza può provocare scosse elettriche o altri infortuni!



**La spazzola asciugacapelli 2 in 1 di ghd deve essere scollegata dalla presa di corrente:**

1. Prima delle procedure di pulizia e manutenzione.
2. Se non funziona correttamente.
3. Non appena hai finito di utilizzarla.
4. Se esci dalla stanza, anche momentaneamente.

**attenzione: superfici calde**

Il fusto della spazzola asciugacapelli 2 in 1 di ghd si scalda per ottenere un'acconciatura perfetta.

**Per ridurre il rischio di bruciature:**

1. Non toccare MAI il fusto della spazzola asciugacapelli.
2. Evitare di tenere o toccare la spazzola asciugacapelli oltre il segno limite di protezione per le dita.
3. Quando inutilizzata, collocare sempre la spazzola asciugacapelli 2 in 1 di ghd su una superficie piana resistente al calore come il tappetino ghd.
4. Dopo aver acconciato i capelli, spegnere sempre l'apparecchio e scollegarlo dalla presa di corrente.
5. Attendere che l'apparecchio si raffreddi prima di rimetterlo a posto.
6. Dopo lo styling il fusto rimane caldo – per consentire il raffreddamento in sicurezza posizionare la spazzola all'interno della custodia / tappetino resistente al calore.
7. Una volta che la spazzola asciugacapelli si è raffreddata, piegare il cavo di alimentazione nello stesso modo in cui era conservato nella confezione. Non avvolgere attorno alla mano o al corpo dell'apparecchio per evitare che il cavo si danneggi o si rompa prematuramente.

**La tua la spazzola asciugacapelli 2 in 1 di**

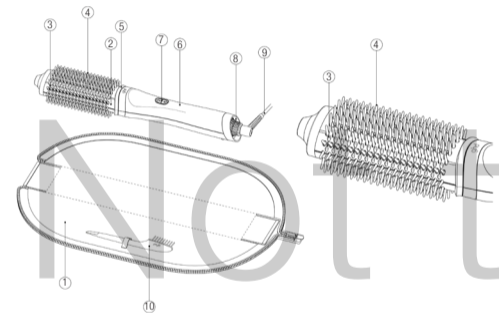
## ghd non attira solo la tua attenzione, ma anche quella dei bambini. Assicurati di collocare sempre la tua spazzola asciugacapelli 2 in 1 di ghd al di fuori della portata dei bambini, in particolar modo durante l'utilizzo, e soprattutto durante la fase di raffreddamento.

In attesa del completo raffreddamento, collocare la spazzola asciugacapelli 2 in 1 di ghd all'interno della custodia / tappetino resistente al calore.

ATTENZIONE: anche se collocata nella custodia / tappetino resistente al calore, il fusto della spazzola asciugacapelli ghd è ancora molto caldo. Non toccare il fusto e non permettere ai bambini o a persone con limitate capacità fisiche, sensoriali o mentali, o che non possiedono un'adeguata esperienza e conoscenza, di toccare lo strumento mentre si sta raffreddando.

### funzionamento

Assicurati che i capelli siano tamponati con un asciugamano (che non gocciolano) prima di utilizzare l'apparecchio ghd



1. Custodia / tappetino resistente al calore
2. Fusto riscaldante
3. Setole riscaldanti
4. Setole in plastica non riscaldanti

5. Rilevatore di protezione per le dita. Evitare di tenere o toccare la spazzola asciugacapelli oltre questa protezione.
6. Manico della spazzola asciugacapelli
7. Interruttore On/Off e spia luminosa
8. Presa d'aria
9. Cavo di alimentazione
10. Spazzolina per la pulizia

- a. Collega la spazzola asciugacapelli 2 in 1 di ghd alla presa di corrente. Una luce lampeggerà momentaneamente intorno all'interruttore ON/OFF ed emetterà un suono per indicare che è connessa ad una presa di corrente e che è in modalità standby.

**Dopo aver lavato i capelli, tamponali accuratamente con un asciugamano.**

**Non lasciare che l'acqua in eccesso dai capelli o da qualsiasi altra fonte entri in contatto con la spazzola asciugacapelli 2 in 1 di ghd. Durante l'utilizzo della spazzola, fare attenzione a non bloccare l'ingresso dell'aria sul retro del dispositivo o l'uscita dell'aria attorno al fusto. Ciò potrebbe far sì che il dispositivo entri in modalità protetta.**

- b. Per accendere la spazzola asciugacapelli 2 in 1 di ghd, fai scorrere l'interruttore ON/OFF in posizione ON.
- c. La spazzola asciugacapelli 2 in 1 di ghd emetterà una breve melodia di avvio e una luce lampeggerà per indicare che la spazzola asciugacapelli di ghd si sta riscaldando e la ventola aumenterà gradualmente la velocità.
- d. Una volta pronta, la spazzola asciugacapelli 2 in 1 di ghd emetterà una breve melodia per indicare che è "pronta all'uso".

e. Una volta pronta, la spazzola asciugacapelli 2 in 1 di ghd emetterà una breve melodia per indicare che è "pronta all'uso" e la luce intorno all'interruttore on/off smetterà di pulsare rimanendo accesa.

f. Una volta terminata l'acconciatura, fai scorrere l'interruttore ON/OFF in posizione OFF.

Una volta spento il prodotto la ventola rallenta lentamente. Questo aiuta ad espellere il calore residuo dal riscaldatore di aria.

Una volta spenta, scollegare la spazzola asciugacapelli ghd dalla presa di corrente e lasciarla raffreddare in un luogo sicuro oppure riporla nella custodia / tappetino forniti in dotazione.

**La spazzola asciugacapelli 2 in 1 di ghd presenta le seguenti funzioni di sicurezza:**

1. **Sleep mode:** la spazzola asciugacapelli 2 in 1 di ghd ha due modalità sleep mode:
  - a. Se la spazzola asciugacapelli 2 in 1 di ghd viene lasciata accesa e non viene utilizzata per più di ~30 minuti, una funzione di sicurezza la spegne automaticamente.
  - b. Dopo 60 minuti, una funzione di sicurezza spegne automaticamente la spazzola asciugacapelli 2 in 1 di ghd, anche se è ancora in uso.
  - c. La spazzola asciugacapelli 2 in 1 di ghd emetterà una melodia di spegnimento, il fusto inizierà a raffreddarsi e la ventola si spegnerà.
  - d. Per riaccendere la spazzola asciugacapelli 2 in 1 di ghd mentre è in modalità sleep mode, è sufficiente far scorrere di nuovo il pulsante off/on finché non viene emessa la melodia di avvio.

Tieni presente che, sebbene la spazzola asciugacapelli 2 in 1 di ghd sia spenta, è ancora collegata alla presa di corrente e dovrebbe essere scollegata dalla presa il prima possibile.

2. **Modalità protetta:** la spazzola asciugacapelli 2 in 1 di ghd è dotata di un dispositivo di protezione contro eventi avversi o sbalzi di corrente; per sicurezza, il fusto riscaldante si spegne, la spazzola asciugacapelli emette un segnale acustico e la spia lampeggia in bianco ogni cinque secondi. Se ciò si verifica, scollegare e ricollegare l'unità all'alimentazione, e poi riavviarla.
3. **Misura di sicurezza:** nell'improbabile eventualità di un errore del sistema di controllo, per sicurezza gli elementi riscaldanti si spengono, la spazzola asciugacapelli 2 in 1 di ghd emette dei rapidi bip e la spia lampeggia in rosso ogni 5 secondi. Se ciò si verifica, spegni la spazzola asciugacapelli 2 in 1 di ghd e riaccendila. Se il dispositivo non si riaccende o il problema persiste, chiedi supporto al servizio clienti ghd.

### Istruzioni per la manutenzione

#### Pulizia della tua spazzola asciugacapelli 2 in 1 di ghd

Per assicurarti che la tua spazzola asciugacapelli 2 in 1 di ghd funzioni con la massima efficienza, assicurati sempre che il filtro posteriore sia sempre pulito pulendolo regolarmente. I danni causati dalla mancata osservanza di queste istruzioni di pulizia non sono coperti dalla garanzia del produttore.

1. Scollega la spazzola asciugacapelli 2 in 1 di ghd dalla presa di corrente.
2. Lascia sempre raffreddare la spazzola asciugacapelli 2 in 1 di ghd prima di pulirla.

3. Non immergere mai l'apparecchio in acqua.
4. Pulisci l'esterno della spazzola asciugacapelli 2 in 1 di ghd con un panno umido. Non utilizzare detergenti aggressivi o abrasivi o prodotti corrosivi.
5. Rimuovi delicatamente polvere e capelli dal filtro posteriore e dal fusto utilizzando la spazzolina per la pulizia fornita in dotazione.

#### Conservazione

1. Lascia sempre raffreddare la spazzola asciugacapelli 2 in 1 di ghd in un luogo sicuro oppure riporla nella custodia / tappetino forniti in dotazione.
2. Una volta che la spazzola asciugacapelli 2 in 1 di ghd si è raffreddata, piegare il cavo di alimentazione nello stesso modo in cui era conservato nella confezione. Non avvolgere il cavo di alimentazione attorno alla spazzola asciugacapelli 2 in 1 di ghd per evitare che il cavo si danneggi o si rompa prematuramente.

### mancato funzionamento

Il tuo strumento di styling ghd è un prodotto ad alte prestazioni e se è soggetto a grandi fluttuazioni di corrente elettrica durante l'uso, potrebbe entrare in modalità di sicurezza per proteggere l'unità da possibili danni. Pertanto, nell'improbabile eventualità di un mal funzionamento, controllare che l'apparecchio sia acceso e collegato all'alimentazione di rete e che la corrente elettrica sia presente.

Se l'apparecchio smette di funzionare e la spia bianca o rossa lampeggia, procedere come indicato di seguito:

1. Spegner l'apparecchio
2. Scollegare l'apparecchio dalla presa elettrica
3. Attendere 5 secondi e ricollegare l'apparecchio alla presa elettrica
4. Riaccendere l'apparecchio

Se il problema persiste, contattare il centro di assistenza di ghd Italia srl.

Per le spine del Regno Unito, assicurarsi che il fusibile montato sia intatto e funzionante; se non lo è, sostituirlo con un fusibile standard britannico di valore identico.

In caso di dubbi, o per ulteriori consigli, visitare la sezione GUIDA sul sito [ghd.com/it](http://ghd.com/it) oppure contattare un rivenditore autorizzato ghd o il Servizio Clienti ghd per richiedere ulteriore assistenza.

### garanzia convenzionale del produttore

Tutti i prodotti elettrici ghd sono controllati singolarmente negli stabilimenti di produzione prima di essere venduti. Tuttavia, senza pregiudizio per la garanzia legale offerta dal venditore, se l'apparecchio dovesse presentare qualche difetto di funzionamento o nei materiali entro 2 (due) anni dalla data di acquisto effettuato dal consumatore o entro 1 (uno) anno in caso di acquisto effettuato dal professionista, ghd a sua sola discrezione sostituirà il prodotto senza alcun costo (ad eccezione delle spese di spedizione), con lo stesso prodotto o con uno equivalente. Il prodotto con il quale viene sostituito l'apparecchio danneggiato acquisisce la rimanente garanzia convenzionale del prodotto originario o una garanzia convenzionale di 180 giorni, a seconda di quale

sia più conveniente per voi. Il prodotto dato in sostituzione diventa di Vostra proprietà e il prodotto sostituito diventa di proprietà di ghd.

Per richiedere un intervento in garanzia convenzionale visitare il sito "[ghd.com/it/returns](http://ghd.com/it/returns)" e seguire le istruzioni sullo schermo per inviare l'apparecchio, allegando la prova d'acquisto, scontrino e/o fattura fiscale. Se non vi fosse possibile visitare il nostro sito internet potrete inviare il prodotto ghd sempre con la prova d'acquisto, scontrino e/o fattura fiscale, a ghd Italia-Assistenza, Via XX Settembre 98, 50129 Firenze, inserendo il prodotto in una scatola resistente o in una busta imbottita, indicando i Vs. recapiti completi (indirizzo, codice fiscale e numero telefonico) e una descrizione dell'asserito difetto e/o guasto. Consigliamo pertanto di conservare sempre la prova d'acquisto in un luogo sicuro.



La richiesta di un intervento in garanzia convenzionale non pregiudica la garanzia legale offerta a titolo gratuito dal venditore dell'apparecchio.

La presente garanzia convenzionale si applica esclusivamente ai prodotti ghd originali acquistati presso centri e/o rivenditori autorizzati ghd o sul sito ufficiale ghd e non copre prodotti riparati o per cui è stata richiesta assistenza da parte di tecnici o rappresentanti non appartenenti a ghd, o per cui sono state effettuate riparazioni con una o più parti non originali o non autorizzate da ghd. La presente garanzia decade in caso di numeri di serie o di identificazione cancellati, danneggiati o modificati.

Né Jemella Group Limited né le sue filiali ghd forniscono parti di ricambio per i loro prodotti elettrici ghd.

### Solo Australia

Il testo obbligatorio per la fornitura di beni e servizi dopo il 9 giugno 2019 è: I nostri beni e servizi sono accompagnati da garanzie che non possono essere escluse dalla legge australiana sui consumatori. In caso di guasti gravi al servizio, si ha diritto:

- ad annullare il contratto di servizio con noi; e
- al rimborso per la parte non utilizzata, ovvero al risarcimento del suo ridotto valore.

Si ha anche il diritto di scegliere un rimborso o una sostituzione in caso di guasti gravi alla merce.

Se un guasto della merce o di un servizio non equivale a un guasto grave, si ha diritto alla riparazione del guasto in un tempo ragionevole. Se ciò non avviene si ha diritto al rimborso della merce e alla risoluzione del contratto per il servizio, ed ottenere il rimborso della quota eventualmente non utilizzata. Hai inoltre diritto a essere rimborsato per qualsiasi altra perdita o danno ragionevolmente prevedibile derivante da un guasto del bene o del servizio.

### riciclo e smaltimento

Il tuo prodotto ghd appartiene alla classe "apparecchiature elettriche o elettroniche" e non deve essere smaltito con altri rifiuti domestici o commerciali al termine del suo ciclo di vita. Quando il prodotto ghd non potrà più essere utilizzato, procedere allo smaltimento secondo le procedure indicate dalle autorità locali. Per maggiori informazioni contattare le autorità locali o il rivenditore presso il quale avete acquistato il prodotto

### Regno Unito e Unione Europea

Il tuo prodotto ghd deve essere riciclato secondo la Direttiva sui Rifiuti di Apparecchiature Elettriche 2002/96/EC (RAEE) che stabilisce che le apparecchiature vengano riciclate usando le migliori tecniche disponibili per ridurre al minimo l'impatto sull'ambiente. Per maggiori informazioni contattare le autorità locali o il rivenditore presso il quale avete acquistato il prodotto.

### conformità

La spazzola asciugacapelli 2 in 1 di ghd soddisfa lo standard BS EN 60335-2-23 ed è provvista di marchio CE. Altre certificazioni sono valide per gli Stati Uniti, l'Australia/Nuova Zelanda e il Sud Africa. Prodotto per ghd UK. Jemella Ltd. ghd UK, 82 Dean Street, London, W1D 3SP, UK

ghd Italia S.r.l

Tel. 055.49811

ghd Italia S.r.l

Via XX Settembre 98-100  
50129 Firenze  
Italia



[ghd.com](http://ghd.com)

Codice di prodotto: B2A551

ghd duet blowdry

ghd and ghd sono marchi registrati di Jemella Group Limited.

© Jemella Group Limited 2023

Progettato a Cambridge, Regno Unito. Fabbricato in Cina.

## Viktiga säkerhetsinstruktioner

Innan du försöker använda ghd 2-i-1 hårfönsborste, för din och andras säkerhet, läs noga igenom säkerhetsföreskrifterna nedan och följ dem, utan undantag, när du använder din ghd 2-i-1 hårfönsborste.

För att minska risken för brännskador, elstötar, brand eller personskada ska du läsa och följa dessa säkerhetsinstruktioner innan du använder din ghd hårfönsborste.

Denna ghd 2-i-1-hårfönsborste är endast avsedd att användas som ett hjälpmedel för hårföning och hårstyling, och endast med produkter som är särskilt utformade för användning med ett uppvärmt hårstylinghjälpmedel som t.ex. ghd värmeväska/värmematta.

## Hantering av ghd 2-i-1 hårfönsborste

ghd 2-i-1-hårfönsborsten innehåller högteknologiska, känsliga komponenter. Se därför till att produkten inte tappas. För inte in främmande föremål, färga, bränn eller demontera din ghd 2-i-1-hårfönsborste. Använd inte din ghd 2-i-1-hårfönsborste om den har skadats – till exempel om hårfönsborstens hölje är sprucket. Om din produkt skadas på grund av felaktig användning eller missbruk täcks detta inte av garantin. Detta påverkar inte dina lagstadgade rättigheter.

**Denna apparat kan användas av barn över 8 år och av personer med nedsatt fysisk, sensorisk eller mental förmåga, eller som saknar kunskap om apparaten, under förutsättning att detta sker på ett säkert sätt under överinseende av ansvarig vuxen och att personen i fråga är införstådd med riskerna.**

**Barn ska inte leka med produkten. Rengöring och**

**underhåll får inte utföras av barn utan uppsikt.**

**Risk för brännskada: Förvara apparaten utom räckhåll för barn, särskilt under användning och när den har svalnat efter användning. Lämna aldrig apparaten utan uppsikt när den är ansluten till en strömkälla.**

ghd 2-i-1-hårfönsborsten är inte lämplig för användning med syntetiskt hår

Det är möjligt att färgen permanent överförs till ghd 2-i-1-hårfönsborsten om den används på färgat hår.

## Varning: håll borta från vatten

**Använd inte produkten i badkar, dusch eller vattenfylld behållare.**



**1. När hårfönsborsten används i badrum ska du dra ut kontakten efter användning eftersom vatten kan utgöra en fara även när hårfönsborsten är avstängd.**

**2. För ytterligare skydd rekommenderas installation av jordfelsbrytare med en driftström på högst 30 mA när produkten används.**

**3. Sänk inte ned eller lägg den under rinnande vatten, inte ens för rengöring**

**4. VARNING: Använd aldrig ghd 2-i-1 hårfönsborste med våta händer, i eller**

**nära vatten eller nära bad, handfat eller andra behållare som innehåller vatten (eller annan vätska).**

**5. Sträck dig inte efter apparaten om den har fallit ned i vatten**

**6. Spraya eller applicera inte våta stylinghjälpmedel direkt på ghd:s hårfönsborste.**

## 7. Ska hållas utom räckhåll för barn.

### Varning: elektricitet

Som med de flesta elektriska apparater är elektriska delar strömförande även när strömbrytaren är avstängd.

För att minska risken för elstötar:

**Använd aldrig apparaten om den inte fungerar korrekt eller om elsladden eller kontakten är skadad. Om kablenn eller kontakten är skadad måste de bytas ut av Jemella Ltd.**

1. Använd endast med 220-240 V, 50-60 Hz strömförsörjning.
2. Apparaten får aldrig lämnas utan uppsikt när den är inkopplad.
3. Håll sladden borta från heta ytor. Linda inte sladden runt apparaten. Häng inte upp hårfönsborsten i sladden.
4. Använd inte produkten om sladden är skadad.
5. Dra inte i eller sträck ut elkabeln och dra inte ut kontakten genom att dra i sladden, utan dra istället ut ghd 2-i-1-hårfönsborsten genom att isolera huvudströmbrytaren och sedan dra ut kontakten.
6. Koppla alltid ur ghd 2-i-1-hårfönsborsten direkt efter användning.
7. Använd inte förlängningsladd med denna apparat.
8. Använd inte en spänningsomvandlare eller generator med denna apparat.
9. Din ghd-produkt är en elektrisk apparat av klass II och behöver inte anslutas till ett jordat uttag.
10. Alla fel vid anslutning av ghd 2-i-1-hårfönsborsten kan orsaka skador som inte täcks av garantin.
11. Om din ghd 2-i-1-hårfönsborste har gått sönder eller inte fungerar korrekt ska du omedelbart sluta använda den och kontakta ghd (Jemella Ltd), se kontaktuppgifter.
12. Din ghd 2-i-1-hårfönsborste kan endast repareras med specialverktyg och av kvalificerade experter på ghd.

13. VARNING: Om dessa säkerhetsåtgärder inte följs kan det leda till elektriska stötar eller andra skador!



ghd 2-i-1-hårfönsborsten måste kopplas bort från vägguttaget.

1. Före rengöring och underhåll.
2. Om den inte fungerar som den ska.
3. Så fort du har använt den färdigt.
4. Om du lämnar rummet, till och med tillfälligt.

### Varning för heta ytor

ghd 2-i-1-hårfönsborsten med värme är het för effektiv styling.

För att minska risken för brännskador:

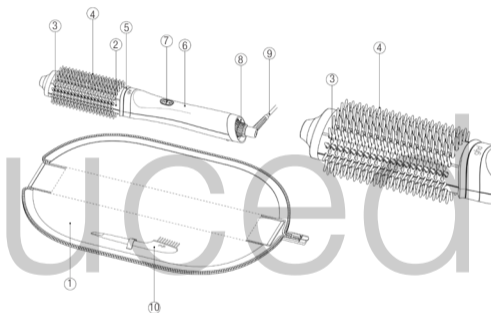
1. Vidrör ALDRIG den uppvärmda plattan på hårfönens borste
2. Undvik att hålla eller vidröra hårfönsborsten utanför det upphöjda fingerskyddet.
3. Lägg alltid hårfönsborsten på en plan, värmetålig yta som t.ex. en värmematta från ghd styler när du inte stylar den.
4. Stäng alltid av hårfönsborsten och dra ut kontakten ur eluttaget när stylingen är klar.
5. Vänta tills hårfönsborsten har svalnat innan du ställer undan den.
6. Efter styling förblir plattan varm – för säker kylning kan du placera borsten i den värmetåliga förvaringspåsen/mattan.
7. När hårfönsborsten har svalnat viker du elkabeln på samma sätt som den först levererades i förpackningen. Linda den inte runt handen eller hårfönsborsten eftersom det kan leda till att elkabeln går sönder i förtid.

**Din ghd 2-i-1-hårfönsborste är inte bara attraktivt för dig, men också för dina barn. Se till att du alltid förvara din ghd 2-i-1-hårfönsborste utom räckhåll för barn, särskilt när den används, särskilt när den är sval.**

För säker kylning, använd ghd 2-i-1 hårfönsborste inuti den värmebeständiga förvaringspåsen/mattan.  
VARNING: även med hårfönsborsten i den värmeresistenta förvaringsväskan/mattan är ghd:s värmeplatta för hårfönen fortfarande mycket varm. Vidrör inte plattan och låt inte barn eller personer med nedsatt fysisk, sensorisk eller mental förmåga eller brist på erfarenhet och kunskap komma i kontakt med styler när den är sval.

### Arbetssteg

Se till att håret är handdukstorkat (inte blött) innan du använder ghd:s apparat.



1. Värmebeständig förvaringspåse/matta
2. Uppvärmad platta
3. Uppvärmda borststrån
4. Uppvärmda plastborst

5. Uppfällt fingerskydd. Undvik att hålla eller vidröra ghd:s hårfönsborste utöver denna funktion.
  6. Handtag till hårfönsborste
  7. Strömbrytare och indikatorlampa
  8. Luftintag
  9. Strömsladd
  10. Rengöringsborste
- a. Anslut ghd 2-i-1-hårfönsborsten till vägguttaget. ghd 2-i-1-hårfönsborsten blinkar tillfälligt runt strömbrytaren och piper för att indikera att den är ansluten och är i standby-läge.

**När du har tvättat håret, skall du torka det noga med en handduk. Låt inte överflödigt vatten från ditt hår eller någon annan källa komma i kontakt med ghd 2-i-1-hårfönsborsten. Var försiktig när du använder borsten så att du inte blockerar luftintaget på enhetens baksida eller luftutloppet runt fatplattan. Detta kan leda till att enheten övergår till felsäkert läge.**

- b. Sätt på ghd 2-i-1-hårfönsborsten genom att föra strömbrytaren till ON-läget.
- c. ghd:s 2-i-1-hårfönsborste spelar en kort uppstartsmelodi och en lampa pulserar för att indikera att ghd:s hårfönsborste värms upp och att fläkten gradvis kommer att öka i hastighet.
- d. När ghd 2-i-1-hårfönsborsten är klar kommer den att spela en kort "redo att använda"-ton.
- e. När ghd 2-i-1-hårfönsborsten är klar kommer den att spela en kort "redo att använda"-ton och lampan runt på/av-knappen kommer att sluta pulsera och vara kontinuerlig.

f. När du är klar med stylingsessionen sätter du PÅ/AV-knappen i läget AV.

När produkten stängs av kommer fläkten att sakta ned. Detta är till hjälp för att blåsa ut restvärme från luftvärmaren.

När den är avstängd, dra ut kontakten till ghd:s hårfönsborste från aggregatet och låt det svalna på en säker plats eller förvara det i den medföljande värmeresistent påsen/mattan.

#### ghd 2-i-1-hårfönsborsten har följande säkerhetsfunktioner:

- Viloläge:** ghd 2-i-1-hårfönsborsten har två vilolägen:
  - Om ghd 2-i-1-hårfönsborsten har lämnats på och inte har använts på mer än ~30 minuter kommer en säkerhetsfunktion automatiskt att stänga av ghd 2-i-1-hårfönsborsten.
  - Efter 60 minuter stänger en säkerhetsfunktion automatiskt av ghd 2-i-1-hårfönsborsten, även om den fortfarande används.
  - ghd:s 2-i-1-hårfönsborste spelar avstängningsmelodi, den uppvärmda fatplattan börjar svalna och fläkten stängs av
  - För att starta om ghd 2-i-1-hårfönsborsten när den är i viloläge behöver du bara skjuta på och av strömbrytaren tills startmelodin ljuder.

Observera att även om ghd 2-i-1-hårfönsborsten är avstängd är den fortfarande ansluten till el och bör kopplas bort från eluttaget så snart som möjligt.

- Skyddsläge:** ghd 2-i-1-hårfönsborsten kan skydda sig själv mot oönskade händelser eller strömvariationer. Av säkerhetsskäl stängs den uppvärmda cylinderplattan av, hårfönsborsten piper och lampan blinkar vitt var femte sekund. Om detta inträffar, dra ut stickkontakten och sätt i kontakten igen och starta sedan om.
- Felsäker:** om det mot förmodan skulle uppstå ett kontrollsystemfel kommer värmarna av säkerhetsskäl att stängas av, ghd 2-i-1-hårfönsborsten avger snabba pip och lampan blinkar rött var 5:e sekund. Stäng av ghd 2-i-1-

hårfönsborsten vid nätaggregatet och starta om. Om enheten inte går att starta om eller om problemet kvarstår, kontakta ghd:s Kundtjänst för vidare instruktioner.

## användarinstruktioner för underhåll

### Rengöring av ghd 2-i-1-hårfönsborste

För att säkerställa att din ghd 2-i-1-hårfönsborste fungerar optimalt ska du alltid se till att det bakre filtret och fatets luftutsläpp hålls fria genom att regelbundet rengöra dem med den medföljande borsten. Skador som uppstår på grund av att dessa rengöringsanvisningar inte följs täcks inte av tillverkarens garanti.

- Koppla ur ghd 2-i-1-hårfönsborsten från vägguttaget.
- Låt alltid ghd 2-i-1 hårfönsborste svalna innan du försöker rengöra den.
- Sänk aldrig ned produkten i vatten.
- Torka av utsidan av ghd 2-i-1 hårfönsborste med en fuktig trasa. Använd inte vassa eller slipande rengöringsmedel eller frätande produkter.
- Avlägsna försiktigt damm, hår och våta rester från det bakre filtret och värmeplattans luftutsläpp med hjälp av den medföljande rengöringsborsten.

### Förvaring

- Låt alltid ghd 2-i-1 hårfönsborste svalna på en säker plats eller förvara den i den medföljande värmeresistent väskan/mattan.
- När ghd 2-i-1-hårfönsborsten har svalnat viker du elkabeln på samma sätt som den först levererades i förpackningen. Linda inte elkabeln runt ghd 2-i-1-hårfönsborsten eftersom det kan slita på kabeln och orsaka att elkabeln går sönder i förtid.

## Driftstörningar

Din ghd stylingapparat är en högpresterande produkt och om enheten utsätts för stora fluktuationer i nätströmmen under användning kan den gå in i skyddat eller felsäkert läge för att skydda enheten från skador. Således bör du, i det osannolika fallet då din ghd-produkt inte fungerar som den ska, kontrollera att din ghd-produkt är påslagen och har jämn strömförsörjning.

Om produkten slutar fungera och den vita eller röda fellampan blinkar ska du följa proceduren nedan:

- Stäng av enheten
- Dra ut enhetens strömsladd från vägguttaget
- Vänta i 5 sekunder och koppla sedan in i vägguttaget igen
- Sätt på enheten igen

Om detta händer upprepade gånger, vänligen kontakta ditt lokala servicecenter för ghd.

För UK-kontakter, se till att den monterade säkringen är intakt och fungerar. Om den inte ersätts den med en brittisk standardsäkring med samma klassificering.

Om du är osäker eller vill ha ytterligare råd, besök hjälpavsnittet på ghdhair.com eller kontakta en godkänd ghd-återförsäljare eller ghd:s kundtjänst för mer information.

## Tillverkarens garanti

Alla ghd:s elektriska produkter testas individuellt innan de lämnar fabriken. Om produkten mot förmodan skulle visa sig vara defekt på grund av bristfälligt utförande eller felaktigt material, kommer ghd efter eget gottfinnande att ersätta produkten utan kostnad med en identisk eller likvärdig produkt inom två år från inköpsdatumet. En ersättningsprodukt förutsätter återstående garanti för originalprodukten eller 180 dagar, beroende på vilket som ger dig längre täckning. När en produkt byts ut blir alla ersättningsartiklar din egendom och den utbytta artikeln blir ghd:s egendom.

För att göra anspråk på denna garanti, besök "ghdhair.com/returns" och följ instruktionerna på skärmen för att slutföra din retur. Se till att du bifogar ett inköpsbevis med alla returnerade produkter. Se därför till att spara inköpsbeviset på en säker plats.

Denna garanti gäller endast för äkta ghd-produkter som köpts av ghd-godkända återförsäljare och omfattar inte produkter som reparerats eller servats av någon annan än ghd:s personal eller ghd:s representanter. Observera att denna garanti kan upphöra att gälla om serienummer eller identifiering har raderats, skadats eller ändrats. Detta påverkar inte dina lagstadgade rättigheter.

Varken Jemella Group Limited eller dess dotterbolag tillhandahåller reservdelar för någon av dess elektriska enheter. Om du inte har tillgång till internet ska du returnera din elektriska ghd-produkt till den närmaste ghd-adress som anges i denna broschyr eller på förpackningen tillsammans med ditt inköpsbevis. För kunder i Australien och Nya Zeeland, ring ditt närmaste ghd-kontor på det nummer som anges i denna broschyr



### Endast Australien

Our goods come with guarantees that cannot be excluded under the Australian Consumer Law. You are entitled to a replacement or refund for a major failure and for compensation for any other reasonably foreseeable loss or damage. You are also entitled to have the goods repaired or replaced if the goods fail to be of acceptable quality and the failure does not amount to a major failure.

## Återvinning och bortskaffande

Din elektriska ghd-produkt är klassificerad som "elektrisk eller elektronisk utrustning" och får inte kasseras tillsammans med annat hushållsavfall eller kommersiellt avfall när den är uttjänt. När du inte längre använder din ghd-produkt ska du kassera den i enlighet med lokala myndigheters återvinningsrutiner. Kontakta din lokala myndighet för mer information.

### Endast Storbritannien/EU

Din elektriska ghd-produkt ska kasseras i enlighet med WEEE-direktivet (Waste Electrical and Electronic Equipment 2002/96/EC), På så sätt säkerställs att produkterna återvinns med bästa möjliga metoder och metoder för att minimera eventuella skador på miljön. För mer information, kontakta din lokala myndighet eller den återförsäljare som du köpte produkten av.

### efterlevnad

ghd:s hårfönsborste uppfyller kraven i SS-EN 60 335-2-23 och är CE-märkt. Andra godkännanden inkluderar USA, Australien/Nya Zeeland och Sydafrika. Produsert for ghd UK.Jemella Ltd. ghd UK, 82 Dean Street, London, W1D 3SP, UK

## ghd / Wella Norway AS

+47 21 93 96 89  
PO Box 4597 Nydalen  
0404 Oslo  
Norway



ghdhair.com

Modellnummer: B2A551

ghd duet blowdry

ghd och ghd är registrerade varumärken som tillhör  
Jemella Group Limited.

© Jemella Group Limited 2023

Designad i Cambridge, Storbritannien. Tillverkad i Kina.

Not to be reproduced

**Viktige sikkerhetsinstruksjoner**

Før du bruker ghd 2-i-1-hårfønerbørsten, bør du av hensyn til sikkerheten lese sikkerhetsreglene nedenfor nøye og uten unntak følge dem når du bruker ghd 2-i-1-hårfønerbørsten.

For å redusere faren for brannskader, elektrisk støt, brann eller personskader bør du lese og følge disse sikkerhetsanvisningene før du bruker ghd-hårfønerbørsten.

Denne ghd 2-i-1-hårfønerbørsten skal kun brukes til føning og hårstyling, og kun med produkter som er spesielt utviklet for bruk med oppvarmede hårstylingredskaper som ghd varmepose/-matte.

**Håndtere ghd 2-i-1-hårfønerbørsten**

ghd 2-i-1-hårfønerbørsten inneholder høyteknologiske, sensitive komponenter, så pass på at du ikke mister produktet i bakken. Ikke stikk inn fremmedlegemer, mal, brenn eller ta fra hverandre ghd 2-i-1-hårfønerbørsten. Ikke bruk ghd 2-i-1-hårfønerbørsten hvis den er skadet-for eksempel hvis huset til hårfønerbørsten er sprukket. Hvis produktet blir skadet på grunn av misbruk eller feil bruk, dekkes ikke dette av garantien. Dette har ingen innvirkning på dine lovmessige rettigheter.

**Produktet kan brukes av barn fra 8 år og oppover**

**samt personer med nedsatte fysiske, sansemessige eller mentale evner eller mangel på erfaring og kunnskap, hvis de er under tilsyn av eller har fått anvisninger om sikker bruk av produktet og er klar over farene forbundet med bruk.**

**Barn skal ikke leke med apparatet. Rengjøring og bruksvedlikehold skal ikke foretas av barn uten at de er under tilsyn.**

**FARE FOR FORBRENNING: Hold apparatet utenfor barns rekkevidde, spesielt under bruk og når det er avkjølt etter bruk.**

**La aldri apparatet være uten tilsyn når det er koblet til strømforsyning.**

ghd 2-i-1-hårfønerbørsten er ikke egnet for bruk med syntetisk hår

Det er mulig at fargen kan overføres permanent til ghd 2-i-1-hårfønerbørsten hvis den brukes på farget hår.

**Advarsel: Holdes unna vann**

**Ikke bruk denne enheten i et badekar, dusj eller en vannfylt beholder.**

**1. Når hårfønerbørsten brukes på badet, må du trekke ut støpselet etter bruk, siden vann i nærheten utgjør en fare selv om hårfønerbørsten er slått av.**



**2. For ekstra beskyttelse anbefales installasjon av en jordfeilbryter med en driftsstrøm som ikke overstiger 30 mA ved bruk av dette produktet.**

**3. Ikke senk eller legg apparatet under rennende vann, heller ikke for rengjøring**

**4. ADVARSEL: Bruk aldri ghd 2-i-1-hårfønerbørsten med våte hender, i eller**

**i nærheten av vann eller i nærheten av badekar, servanter eller andre beholdere som inneholder vann (eller annen væske).**

**5. Ikke grip etter apparatet hvis det har falt ned i vann**

**6. Ikke spray eller påfør våte stylingredskaper direkte på ghds hårfønerbørste.**

**7. Oppbevares utilgjengelig for barn.**

**Advarsel: elektrisitet**

Som med de fleste elektriske apparater er elektriske deler strømførende selv når bryteren er slått av.

**For å redusere faren for elektrisk støt:**

**Apparatet må aldri brukes hvis det ikke fungerer som det skal, eller hvis strømledningen eller støpselet er skadet. Hvis strømledningen eller støpselet er skadet, må det skiftes ut av Jemella Ltd.**

1. Må bare brukes med 220-240 V, 50-60 Hz strømforsyning.
2. La aldri apparatet være uten tilsyn når det er koblet til strømmettet.

3. Hold strømledningen unna varme overflater. Ikke vikle strømledningen rundt apparatet. Ikke heng ghd hårfønerbørsten etter strømledningen.
4. Må ikke brukes hvis strømledningen er skadet.
5. Strømledningen må ikke trekkes i eller strekkes, og den må ikke trekkes ut ved å dra i ledningen. Koble heller fra ghd 2-i-1-hårfønerbørsten ved å isolere hovedbryteren og deretter trekke ut støpselet.
6. Trekk alltid ut kontakten til ghd 2-i-1-hårfønerbørsten umiddelbart etter bruk.
7. Ikke bruk skjøteledning sammen med dette apparatet.
8. Ikke bruk en spenningsomformer eller generator sammen med dette apparatet.
9. Produktet fra ghd er et elektrisk apparat i klasse II, og behøver ikke kobles til en jordet stikkontakt.
10. Feil ved tilkobling av ghd 2-i-1-hårfønerbørsten kan føre til uopprettelig skade som ikke dekkes av garantien.
11. Hvis ghd 2-i-1-hårfønerbørsten er ødelagt eller ikke fungerer som den skal, må du avslutte bruken umiddelbart og kontakte ghd (Jemella Ltd). Se kontaklinformasjon.
12. Din ghd 2-i-1-hårfønerbørste kan bare repareres med spesialverktøy og av kvalifiserte eksperter hos ghd.



13. ADVARSEL: Hvis disse sikkerhetsreglene ikke overholdes, kan det føre til elektrisk støt eller andre skader!

**ghd 2-i-1-hårfønerbørsten må trekkes ut av stikkontakten.**

1. Før rengjøring og vedlikehold.
2. Hvis den ikke fungerer som den skal.
3. Så snart du er ferdig med å bruke den.
4. Hvis du forlater rommet, også i en kort periode.

**Fare forbundet med varm overflate**

Den oppvarmede sylindrerplate til ghd 2-i-1 hårfønerbørste er varm for effektiv styling.

**For å redusere faren for brannskader:**

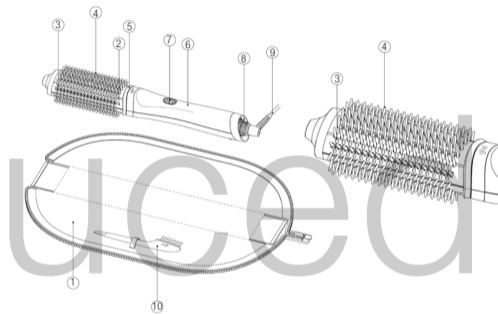
1. Berør ALDRI den oppvarmede trommelplaten på hårfønerbørsten
2. Unngå å holde eller berøre hårfønerbørsten utover fingerbeskyttelsen.
3. Når du ikke skal style håret, må du alltid legge fønerbørsten på en flat, varmebestandig overflate, som f.eks. en ghd varmematte for rettetang.
4. Når stylingen er ferdig, slår du alltid av hårfønerbørsten og trekker ut støpselet fra stikkontakten.
5. Vent til fønerbørsten er avkjølt før du setter den bort.
6. Etter stylingen forblir platen varm-for sikker kjøling kan du plassere børsten i den varmebestandige oppbevaringsvesken/-matten.
7. Når hårfønerbørsten er avkjølt, bretter du strømledningen på samme måte som den ble levert i emballasjen. Ikke vikle den rundt hånden eller hårtørkerbørsten, da dette kan føre til at strømledningen blir ødelagt.

**Din ghd 2-i-1-hårfønerbørste er ikke bare attraktiv for deg, men også til barna dine. Sørg for at du alltid Oppbevar ghd 2-i-1-hårfønerbørsten utilgjengelig for barn, spesielt under bruk, spesielt ved avkjøling.**

For sikker avkjøling, plasser ghd 2-i-1-hårfønerbørsten i den varmebestandige oppbevaringsposen/-matten.  
ADVARSEL: Selv med hårfønerbørsten i den varmebestandige oppbevaringsvesken/-matten er ghd hårfønerbørstens oppvarmede sylindrerplate fortsatt svært varm. Ikke berør platen eller la barn eller personer med reduserte fysiske, sensoriske eller mentale evner, eller manglende erfaring og kunnskap, berøre styleren mens den kjøler seg ned.

**Bruk**

**Sørg for at håret er håndklettørket (ikke dryppende vått) før du bruker ghd-apparatet**



1. varmebestandig oppbevaringspose/-matte
2. Oppvarmet plate
3. Oppvarmede børstestrå
4. Ikke-oppvarmet plastbust

5. Hevet fingerbeskyttelse. Unngå å holde eller berøre ghd hårfønerbørste utover denne funksjonen.
6. Håndtak til hårfønerbørste
7. Av/på-bryter og indikatorlampe
8. Luftinntak
9. Strømledningen
10. Rengjøringsbørste

a. Koble ghd 2-i-1-hårfønerbørsten til strømforsyningen. ghd 2-i-1-hårfønerbørsten blinker en kort stund rundt PÅ/AV-bryteren og piper for å vise at den er tilkoblet og i standby-modus.

**Når du har vasket håret, tørker du det grundig med et håndkle. Ikke la overflødig vann fra håret eller andre kilder komme i kontakt med ghd 2-i-1-hårfønerbørsten.**

**Når du bruker børsten, må du være forsiktig så du ikke blokkerer luftinntaket på baksiden av enheten eller luftuttaket rundt sylindrerplaten. Dette kan føre til at enheten går i feilsikringsmodus.**

- b. Slå på ghd 2-i-1-hårfønerbørsten ved å skyve PÅ/AV-bryteren over på ON.
- c. ghd 2-i-1-hårfønerbørsten lager en kort tone, og et lys blinker for å vise at ghd-hårfønerbørsten varmes opp. Viften vil gradvis øke hastigheten.
- d. Når du er klar, lager ghd 2-i-1-hårfønerbørsten en kort "klar til bruk"-tone.
- e. I. Når du er klar, lager ghd 2-i-1-hårfønerbørsten en kort "klar til bruk"-tone, og lyset rundt på/av-bryteren slutter å pulsere og lyser kontinuerlig.
- f. eks. Når du er ferdig med stylingen, skyver du PÅ/AV-bryteren over på AV.

Når produktet slås av, vil viften gradvis øke. Dette bidrar til å blåse ut gjenværende varmluft fra styleren.

Når den er slått AV, trekker du ut støpselet til ghd hårfønerbørste fra strømforsyningen, og la den kjøles ned på et sikkert sted eller oppbevares i den medfølgende varmebestandige posen/matten.

#### ghd 2-in-1 hårfønerbørste har følgende sikkerhetsfunksjoner:

- Hvilemodus:** ghd 2-in-1 hårfønerbørste har to innstillinger for hvilemodus:
  - Hvis ghd 2-in-1-hårfønerbørsten har vært på og ikke har vært brukt på mer enn ~30 minutter, vil en sikkerhetsfunksjon automatisk slå av ghd 2-in-1-hårfønerbørsten.
  - Etter 60 minutter slår en sikkerhetsfunksjon av ghd 2-in-1-hårfønerbørsten automatisk av, selv om den fortsatt er i bruk.
  - ghd 2-in-1 hårfønerbørste spiller avstengningsmelodien, den oppvarmede sylindrerplaten begynner å avkjøles og viften slår seg av
  - For å starte ghd 2-in-1-hårfønerbørsten på **nytt** mens den er i hvilemodus, skyver du bare av/på-knappen av og på igjen til du hører et lydsignal.

Vær oppmerksom på at selv om ghd 2-in-1-hårfønerbørsten er slått av, er den fortsatt koblet til strømmettet og bør kobles fra strømmettet så snart som mulig.

- Beskyttet modus:** ghd 2-in-1-hårfønerbørsten kan beskytte seg selv mot uønskede hendelser eller kraftige svingninger. For sikkerhets skyld vil den oppvarmede sylindrerplaten slå seg av, hårfønerbørsten vil avgi et pipesignal og lyset vil blinke hvitt hvert femte sekund. Hvis dette skjer, trekker du ut støpselet og setter det i stikkkontakten og starter på nytt.
- Feilsikker:** Hvis det mot formodning skulle oppstå en kontrollsystemfeil, vil varmelementene slå seg av, ghd 2-in-1-hårfønerbørsten vil avgi raske pipetoner og lyset vil blinke rødt hvert 5. sekund. Hvis dette skjer, slår du av ghd 2-in-1-hårfønerbørsten ved strømforsyningen og starter den på nytt. Hvis

den ikke kan restartes eller problemet vedvarer, kontakt ghds kundeservice for råd.

#### vedlikeholdsinstruksjoner

##### Rengjøre ghd 2-in-1-hårfønerbørsten

For å sikre at ghd 2-in-1-hårfønerbørsten fungerer optimalt, må du alltid sørge for at filteret bak og luftutløpene på sylinderen holdes rene ved å rengjøre dem regelmessig med den medfølgende børsten. Skader som skyldes at disse rengjøringsinstruksjonene ikke er fulgt, dekkes ikke av produsentens garanti.

- Koble ghd 2-in-1-hårfønerbørsten fra strømmettet.
- La alltid ghd 2-in-1-hårfønerbørsten avkjøle før du rengjør den.
- Ikke dypp apparatet i vann.
- Tørk av utsiden av ghd 2-in-1-hårfønerbørsten med en fuktig klut. Ikke bruk skarpe eller slipende rengjøringsmidler eller etsende produkter.
- Fjern forsiktig støv-, hår- og våttinjerester fra det bakre filteret og luftutløpene på den oppvarmede trommelplaten med den medfølgende rengjøringsbørsten.

##### Lagring

- La alltid ghd 2-in-1-hårfønerbørsten avkjøle på et trygt sted, eller oppbevar den i den medfølgende varmebestandige vesken/matten.
- Når ghd 2-in-1-hårfønerbørsten er avkjølt, bretter du sammen strømledningen på samme måte som den ble levert i emballasjen. Strømledningen må ikke vikles rundt ghd 2-in-1-hårfønerbørsten. Det kan føre til at ledningen blir overbelastet og føre til at strømledningen svikter.

#### Funksjonssvikt

Stylingredskapet fra ghd er et produkt med høy ytelse, og hvis enheten utsettes for store spenningsvariasjoner under bruk, kan den gå i beskyttet eller feilsikker modus for å beskytte enheten mot skade. Hvis ghd-produktet ditt mot formodning ikke fungerer korrekt, bør du derfor kontrollere at ghd-produktet og strømforsyningen er påslått og at det får strøm.

Hvis produktet slutter å virke og den hvite eller røde feillampen blinker, følger du prosedyren nedenfor:

- Slå av enheten
- Koble enheten fra strømmettet
- Vent i 5 sekunder og koble deretter enheten til strømmettet
- Slå på enheten

Hvis dette skjer gjentatte ganger, vennligst kontakt ditt lokale ghd servicesenter.

For UK-støpsler må du sikre at den tilpassede sikringen er intakt og fungerer. Hvis ikke, bytt den ut med en identisk merket sikring iht. British Standard.

Hvis du er i tvil eller ønsker flere råd, kan du besøke hjelp-delen på ghdhair.com eller kontakte en godkjent ghd-forhandler eller kontakte ghd kundeservice for ytterligere råd.

#### Produsentens garanti

Alle elektriske produkter fra ghd blir individuelt testet før de forlater fabrikk. Men hvis produktet mot formodning skulle vise seg å være defekt som følge av feil i utførelse eller materialer, vil ghd etter eget skjønn erstatte produktet uten kostnad med et identisk eller tilsvarende produkt innen to år fra den opprinnelige kjøpsdatoen. Et erstatningsprodukt forutsetter den gjenværende garantien på originalproduktet eller 180 dager, avhengig av hva som gir deg lengre dekning. Når et produkt byttes, blir en erstatningsvare din eiendom, og den utskiftede artikkelen blir ghds eiendom.



For å benytte deg av denne garantien, gå til 'ghdhair.com/returns' og følg instruksjonene på skjermen for å fullføre returen. Sørg for at du legger ved et kjøpsbevis sammen med alle returnerte produkter. Oppbevar derfor kjøpsbeviset på et trygt sted.

Denne garantien gjelder kun originale ghd-produkter kjøpt gjennom ghd-godkjente forhandlere, og dekker ikke produkter som er reparert eller reparert av andre enn ghd-personale eller ghd-representanter. Vær oppmerksom på at denne garantien kan bli ugyldig hvis serienumre eller identifikasjon er slettet, skadet eller modifisert. Dette har ingen innvirkning på dine lovmessige rettigheter.

Verken Jemella Group Limited eller dets datterselskaper leverer reservedeler til noen av sine elektriske enheter. Hvis du ikke har tilgang til Internett, kan du returnere det elektriske produktet fra ghd til nærmeste ghd-adresse, som trykt i denne brosjyren eller på emballasjen, sammen med kjøpsbeviset. For kunder i Australia og New Zealand, vennligst ring ditt nærmeste ghd-kontor på nummeret som er trykt i denne brosjyren.

#### resirkulering og kassering

Ditt elektriske produkt fra ghd er klassifisert som "elektrisk eller elektronisk utstyr", og må ikke kastes sammen med annet husholdningsavfall eller annet kommersielt avfall etter endt levetid. Når du ikke lenger har bruk for ghd-produktet, skal det kastes i henhold til lokale myndigheters resirkuleringsprosedyre. Kontakt lokale myndigheter for mer informasjon.

##### Kun Storbritannia/EU

Det elektriske produktet fra ghd skal kasseres i samsvar med WEEE-direktivet (Waste Electrical and Electronic Equipment 2002/96/EC), Dette sikrer at produktene resirkuleres ved hjelp av de beste tilgjengelige metodene og metodene for å minimere potensiell skade på miljøet. Kontakt lokale myndigheter eller forhandleren som du kjøpte dette produktet fra for mer informasjon.

##### laktakelse

Denne hårfønerbørsten fra ghd samsvarer med BS EN 60335-2-23 og er CE-merket. Andre godkjenninger inkluderer USA, Australia/New Zealand og Sør-Afrika.38/5000 Valmistettu ghd UK:lle. Jemella Ltd. ghd UK, 82 Dean Street, London, W1D 3SP, UK

#### ghd / Wella Finland Oy

+358 09 74790217  
Bulevardi 21  
00180 Helsinki  
Finland



ghdhair.com

Modellnummer: B2A551

ghd duet føn

ghd og ghd er registrerte varemerker som tilhører Jemella Group Limited.

© Jemella Group Limited 2023

Designet i Cambridge, Storbritannia. Produsert i Kina.

## Vigtige sikkerhedsinstruktioner

Før du forsøger at bruge denne ghd 2-in-1 føntørrerbørste, skal du af hensyn til din og andres sikkerhed læse nedenstående sikkerhedsanvisninger omhyggeligt og uden undtagelse altid følge dem, når du bruger din ghd 2-in-1 føntørrerbørste.

For at reducere risikoen for forbrændinger, elektrisk stød, brand eller personskade skal du læse og følge disse sikkerhedsanvisninger, før du bruger din ghd føntørrerbørste.

Denne ghd 2-in-1 føntørrerbørste er kun beregnet til brug som hjælp til tørring og hårstyling og kun med produkter, der er specielt designet til brug sammen med et opvarmet hårstylingredskab som f.eks. ghd varmetaske/-mätte.

## Håndtering af din ghd 2-in-1 føntørrerbørste

ghd 2-in-1 føntørrerbørsten indeholder højteknologiske, følsomme komponenter, så sørg for, at produktet ikke tabes. Du må ikke isætte fremmedlegemer, male, brænde eller skille din ghd 2-in-1 føntørrerbørste ad. Brug ikke din ghd 2-in-1 føntørrerbørste, hvis den er beskadiget – f.eks. hvis føntørrerens børstehus er revnet. Hvis dit produkt bliver beskadiget på grund af misbrug eller forkert brug, er dette ikke dækket af din garanti. Dette har ingen indflydelse på dine lovfæstede rettigheder.

**Dette apparat kan anvendes af børn fra 8 år samt af personer med nedsatte fysiske, sensoriske eller mentale funktioner eller manglende erfaring eller viden, hvis de er under opsyn eller har modtaget instruktioner vedrørende sikker brug af apparatet og forstår de farer, der følger med.**

**Børn må ikke lege med apparatet. Rengøring og vedligeholdelse må ikke foretages af børn uden opsyn.**

**Fare for forbrændinger: Opbevar apparatet utilgængeligt for børn, især under brug og under afkøling efter brug.**

**Lad aldrig apparatet være uden opsyn, når det er tilsluttet en strømkilde.**

ghd 2-in-1 føntørrerbørsten er ikke egnet til syntetisk hår

Det er muligt, at farven permanent overføres til ghd 2-in-1 føntørrerbørsten, hvis den bruges i farvet hår.

## Advarsel: Må ikke komme i kontakt med vand

**Brug ikke apparatet i et badekar, en bruser eller en vandfyldt beholder.**



**1. Når føntørrerbørsten bruges i et badeværelse, skal stikket trækkes ud efter brug, da der**

**er fare for, at der kommer vand i nærheden, selv når føntørrerbørsten er slukket.**

**2. For yderligere beskyttelse anbefales det at installere en fejlstrømsafbryder (RCD) med en driftsstrøm, der ikke overstiger 30 mA, når dette produkt anvendes.**

**3. Må ikke nedsænkes i eller lægges under rindende vand, heller ikke med henblik på rengøring**

**4. ADVARSEL: Brug aldrig ghd 2-in-1 føntørrerbørsten med våde hænder, i eller i nærheden af vand eller i nærheden af badekar, vaske eller andre beholdere, der indeholder vand (eller anden væske).**

5. Ræk ikke ud efter apparatet, hvis det er faldet i vandet.
6. Spray eller påfør ikke våde stylingredskaber direkte på ghd-føntørrerbørsten.
7. Opbevares utilgængeligt for børn.

#### advarsel: elektricitet

Som det er tilfældet med de fleste elektriske apparater, er elektriske dele også strømførende, når kontakten er slukket.

For at reducere risikoen for elektrisk stød:

**Brug aldrig dette apparat, hvis det ikke fungerer korrekt, eller hvis dets ledning eller stik er beskadiget. Hvis strømkablet eller stikket er beskadiget, skal det udskiftes af Jemella Ltd.**

1. Må kun bruges med 220-240 V, 50-60 Hz strømforsyning.
2. Apparatet må aldrig efterlades uden opsyn, når stikket er sat i stikkontakten.
3. Hold ledningen væk fra varme overflader. Vikl ikke ledningen rundt om apparatet. Hæng ikke ghd-føntørrerbørsten op i ledningen.
4. Brug ikke produktet, hvis ledningen er beskadiget.

5. Træk ikke i ledningen, og hiv ikke stikket ud af kontakten ved at trække i ledningen. Afbryd i stedet ghd 2-in-1 føntørrerbørsten ved at isolere hovedafbryderen og derefter trække stikket ud.
6. Tag altid stikket til ghd 2-in-1 føntørrerbørsten ud af stikkontakten straks efter brug.
7. Brug ikke en forlængerledning sammen med dette apparat.
8. Brug ikke spændingsomformer eller generator sammen med dette apparat.
9. Dit ghd-produkt er et elektrisk apparat i klasse II og behøver ikke tilsluttes en jordforbindelse.
10. Enhver fejl ved tilslutning af ghd 2-in-1 føntørrerbørsten kan forårsage uoprettelig skade, der ikke er dækket af garantien.
11. Hvis din ghd 2-in-1-føntørrerbørste er gået i stykker eller ikke fungerer korrekt, skal du straks stoppe med at bruge den og kontakte ghd (Jemella Ltd). Se kontaktoplysningerne.
12. Din ghd 2-in-1 føntørrerbørste kan kun repareres med specialværktøj og af kvalificerede eksperter fra ghd.



13. ADVARSEL: Manglende overholdelse af disse sikkerhedsforanstaltninger kan medføre elektrisk stød eller andre personskader!

ghd 2-in-1 føntørrerbørsten skal være taget ud af stikkontakten;

1. Før rengøring og vedligeholdelse.
2. Hvis den ikke fungerer korrekt.
3. Så snart du er færdig med at bruge den.
4. Hvis du forlader rummet, selv et øjeblik.

#### Advarsel mod varme overflader

ghd 2-in-1 føntørrerbørste med opvarmet tromleplade er varm for effektiv styling.

For at reducere risikoen for forbrændinger:

1. Rør ALDRIG ved hårtørrerbørstens opvarmede tromleplade
2. Undgå at holde eller røre hårtørrerbørsten ud over den hævede fingerbeskyttelse.
3. Når du ikke styler, skal du altid lægge føntørrerbørsten på en flad varmebestandig overflade som f.eks. en ghd styler-varmemåtte.
4. Når du er færdig med at style, skal du altid slukke for føntørrerbørsten og tage stikket ud af stikkontakten.
5. Vent, indtil føntørrerbørsten er kølet af, før du opbevarer den.
6. Efter styling forbliver cylinderpladen varm – for sikker afkøling kan du placere børsten i den varmebestandige opbevaringspose/måtte.
7. Når føntørrerbørsten er kølet af, foldes ledningen sammen på samme måde, som da den blev leveret i emballagen. Vikl den ikke rundt om hånden eller føntørrerbørsten, da det kan medføre at ledningen går i stykker.

**Din ghd 2-in-1 føntørrerbørste er ikke kun attraktiv for dig, men også for dine børn. Sørg for, at du altid opbevarer din ghd 2-in-1 føntørrerbørste uden for børns rækkevidde, især når den køler af.**

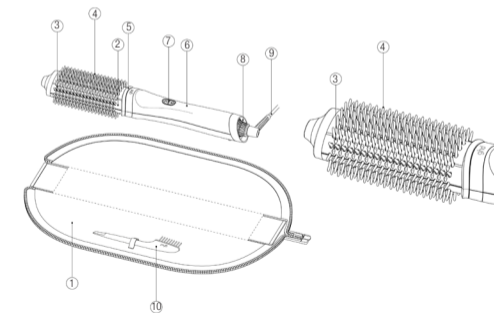
Placer ghd 2-in-1 føntørrerbørsten for sikker køling inde i den varmebestandige opbevaringspose/-måtte.

ADVARSEL: selv med føntørrerbørsten i den varmebestandige opbevaringspose/måtte er ghd føntørrerbørsten med opvarmet tromleplade stadig meget varm. Rør ikke ved cylinderpladen, og lad ikke børn eller børn med nedsatte fysiske, sensoriske eller mentale evner eller manglende erfaring og viden røre styleren, mens den køler af.

#### Brug

Sørg for, at håret er håndklædetørt (ikke dryppende vådt), før du bruger ghd-apparatet

1. varmebestandig opbevaringspose/-måtte
2. Opvarmet cylinderplade
3. opvarmede børstehår
4. Ikke-opvarmede plastbørster



5. Hævet fingerbeskyttelse. Undgå at holde eller røre ved ghd-føntørrerbørsten ud over denne funktion.
6. Børstehåndtag til føntørrer
7. Tænd/sluk-knap og indikatorlys
8. Luftindtag
9. Ledning
10. Rensebørste

- a. Slut ghd 2-i-1 føntørrerbørsten til strømforsyningen. ghd 2-i-1 føntørrerbørsten blinker kortvarigt omkring tænd/sluk-knappen og bipper for at angive, at den er tilsluttet og er i standbytilstand.

**Når du har vasket håret, skal du tørre det grundigt med et håndklæde. Lad ikke overskydende vand fra håret eller andre kilder komme i kontakt med ghd 2-i-1 føntørrerbørsten.**

**Når du bruger børsten, skal du passe på ikke at blokere luftindtaget bag på enheden eller luftudtaget rundt om cylinderpladen. Dette kan medføre, at enheden går i fejlsikker tilstand.**

- b. Tænd for ghd 2-i-1-føntørrerbørsten ved at skubbe tænd/sluk-knappen til ON-positionen.
- c. ghd 2-i-1-føntørrerbørsten spiller en kort opstartsmelodi, og et lys blinker for at angive, at ghd-føntørrerbørsten varmer op, og blæseren øger gradvist hastigheden.
- d. Når ghd 2-i-1 føntørrerbørsten er klar, spiller den en kort 'klar til brug'-tone.
- e. Det kan f.eks være: Når ghd 2-i-1 føntørrerbørsten er klar, spiller den en kort 'klar til brug'-tone, og lyset omkring tænd/sluk-knappen stopper med at pulsere og lyser konstant.

- f. Når du er færdig med stylingen, skal du skubbe tænd/sluk-knappen over på OFF (sluk).

Når produktet slukkes, vil blæseren forsigtigt aftage. Dette hjælper med at blæse restvarme ud af luftvarmelegemet.

Når den er slukket, skal du tage stikket ud af ghd føntørrerbørsten fra strømforsyningen, og lad den køle af på et sikkert sted, eller opbevar den i den medfølgende varmebestandige pose/måtte.

**ghd 2-i-1 føntørrerbørsten har følgende sikkerhedsfunktioner:**

1. **Dvale:** ghd 2-i-1 føntørrerbørsten har to indstillinger for dvaletilstand:
  - a. Hvis ghd 2-i-1 føntørrerbørsten har været tændt og ikke har været brugt i mere end ~30 minutter, slukker en sikkerhedsfunktion automatisk for ghd 2-i-1 føntørrerbørsten.
  - b. Efter 60 minutter slukker en sikkerhedsfunktion automatisk for ghd 2-i-1-føntørrerbørsten, selvom den stadig er i brug.
  - c. ghd 2-i-1-føntørrerbørsten afspiller nedlukningsmelodien, den opvarmede tromleplade begynder at køle af, og blæseren slukker
  - d. For **at genstarte** ghd 2-i-1 føntørrerbørsten, mens den er i dvaletilstand, skal du blot skubbe tænd/sluk-knappen fra og til igen, indtil startmelodien lyder.

Bemærk, at selvom ghd 2-i-1 føntørrerbørsten er slukket, er den stadig tilsluttet strømmen og bør frakobles lysnettet så hurtigt som muligt.

2. **Beskyttelsestilstand:** ghd 2-i-1 føntørrerbørsten kan beskytte sig selv mod uønskede hændelser eller strømudsving. Af sikkerhedsmæssige årsager slukker den opvarmede tromleplade, føntørrerbørsten udsender et bip, og lyset blinker hvidt hvert femte sekund. Hvis det sker, skal du tage stikket ud og sætte det i stikkontakten igen og derefter starte igen.

3. **Fejlsikker:** Hvis det usandsynlige skulle ske, at der opstår en fejl i kontrolsystemet, slukker varmelegemerne af sikkerhedsmæssige årsager, ghd 2-i-1 føntørrerbørsten udsender hurtige bip, og lyset blinker rødt hvert 5. sekund. Hvis dette sker, skal du slukke for ghd 2-i-1 føntørrerbørsten ved strømforsyningen og genstarte. Hvis enheden ikke genstarter, eller problemet fortsætter, skal du kontakte ghd's kundeservice for at få rådgivning.

## Vedligeholdelsesvejledning

### Rengøring af din ghd 2-i-1 føntørrerbørste

For at sikre, at din ghd 2-i-1-føntørrerbørste fungerer optimalt, skal du altid sikre, at luftfilteret bagpå og luftudløbene på tromlerne holdes rene ved regelmæssigt at rengøre dem med den medfølgende børste. Skader, der skyldes manglende overholdelse af disse rengøringsinstruktioner, er ikke dækket af producentens garanti.

1. Tag stikket til ghd 2-i-1 føntørrerbørsten ud af stikkontakten.
2. Lad altid ghd 2-i-1 føntørrerbørsten køle af, før du forsøger at rengøre den.
3. Nedsænk aldrig apparatet i vand.
4. Tør ydersiden af ghd 2-i-1 føntørrerbørsten af med en fugtig klud. Brug ikke skarpe eller slibende rengøringsmidler eller ætsende produkter.
5. Fjern forsigtigt støv, hår og fugtrest fra det bageste filter og luftudløbene fra den opvarmede tromleplade ved hjælp af den medfølgende rengøringsbørste.

### Opbevaring

1. Lad altid ghd 2-i-1 føntørrerbørsten køle af et sikkert sted, eller opbevar den i den medfølgende varmebestandige taske/måtte.
2. Når ghd 2-i-1 føntørrerbørsten er kølet af, skal du folde ledningen sammen på samme måde, som da den blev leveret i pakken. Vikl ikke ledningen rundt om ghd 2-i-1 hårtørrerbørsten, da det kan belaste ledningen og forårsage at den går i stykker.

## Funktionssvigt

Dit ghd stylingapparat er et højtydende produkt, og hvis enheden udsættes for store udsving i netstrømmen under brug, kan den gå i beskyttelses- eller fejlsikker tilstand for at beskytte enheden mod skader. Hvis det usandsynlige skulle ske, at dit ghd-produkt ikke fungerer korrekt, skal du derfor kontrollere, at dit ghd-produkt og strømforsyningen er tændt, og at der er strøm til rådighed.

Hvis produktet holder op med at virke, og den hvide eller røde fejllampe blinker, skal du følge nedenstående procedure:

1. Sluk for enheden
2. Træk stikket ud af stikkontakten.
3. Vent 5 sekunder, og slut derefter enheden til væggen igen.
4. Tænd for enheden igen

Hvis dette sker gentagne gange, bedes du kontakte dit lokale ghd-servicecenter.

For UK-stik skal det sikres, at den monterede sikring er intakt og fungerer. Hvis den ikke udskiftes med en britisk standardsikring med samme klassificering.

Hvis du er i tvivl eller har brug for yderligere rådgivning, kan du besøge hjælpesektionen på [ghdhair.com](http://ghdhair.com) eller kontakte en godkendt ghd-forhandler eller ghd kundeservice for yderligere rådgivning.

## Producentgaranti

Alle elektriske ghd-produkter testes individuelt, før de forlader fabrikken. Hvis det usandsynlige skulle ske, at produktet viser sig at være defekt på grund af fejl i forarbejdning eller materialer, vil ghd efter eget skøn udskifte produktet uden beregning med et identisk eller tilsvarende produkt inden for to år fra den oprindelige købsdato. Et erstatningsprodukt forudsætter den resterende garanti på det oprindelige produkt eller 180 dage, alt efter hvad der giver dig den længste dækning. Når et produkt ombyttes, bliver en erstatningsvare din ejendom, og den udskiftede vare bliver ghd's ejendom.

Gå ind på '[ghdhair.com/returns](http://ghdhair.com/returns)' for at gøre krav på denne garanti, og følg anvisningerne på skærmen for at fuldføre din returnering. Sørg for at vedlægge købsbevis sammen med alle returnerede produkter. Sørg derfor for at opbevare dit købsbevis et sikkert sted.

Denne garanti gælder kun for ægte ghd-produkter købt gennem ghd-godkendte forhandlere og dækker ikke produkter, der er repareret eller serviceret af andre end ghd-personale eller ghd-repræsentanter. Bemærk, at denne garanti kan

bortfalde, hvis serienumre eller identifikation er blevet slettet, beskadiget eller ændret. Dette har ingen indflydelse på dine lovfæstede rettigheder.

Hverken Jemella Group Limited eller dets datterselskaber leverer reservedele til nogen af deres elektriske enheder. Hvis du ikke har adgang til internettet, bedes du returnere dit elektriske ghd-produkt til den nærmeste ghd-adresse, som er trykt i denne folder eller på emballagen, sammen med dit købsbevis. For kunder i Australien og New Zealand bedes du ringe til dit nærmeste ghd-kontor på det nummer, der er trykt i denne folder.

## genbrug og bortskaffelse

Dit elektriske ghd-produkt er klassificeret som "elektrisk eller elektronisk udstyr" og må ikke bortskaffes sammen med andet husholdningsaffald eller kommercielt affald, når det er udtjent. Når du ikke længere har brug for dit ghd-produkt, skal du bortskaffe det i henhold til de lokale myndigheders genanvendelsesprocedure. Kontakt de lokale myndigheder for yderligere oplysninger.

### Kun UK/EU

Dit elektriske ghd-produkt skal bortskaffes i overensstemmelse med WEEE-direktivet (Waste Electrical and Electronic Equipment 2002/96/EC), Det sikrer, at produkterne genanvendes ved hjælp af de bedste tilgængelige metoder og praksisser for at minimere potentielle skader på miljøet. Kontakt de lokale myndigheder eller den forhandler, hvor du købte dette produkt, for at få flere oplysninger.



**overholdelse**

Denne ghd føntørrerbørste er i overensstemmelse med BS EN 60335-2-23 og er CE-mærket. Andre godkendelser omfatter USA, Australien/New Zealand og Sydafrika. 38/5000 Tillverkad för ghd UK. Jemella Ltd. ghd UK, 82 Dean Street, London, W1D 3SP, UK

**ghd / Wella Company Sweden AB**

+46 8-699 00 60  
Box 3098  
169 03 Solna  
Sweden



ghdhair.com

Modelnummer: B2A551

ghd duet føntørring

ghd og ghd er registrerede varemærker tilhørende Jemella Group Limited.

© Jemella Group Limited 2023

Designet i Cambridge, Storbritannien. Fremstillet i Kina.

Not to be reproduced

**Tärkeitä turvallisuustietoja**

Ennen kuin yrität käyttää tätä ghd 2-in-1 -hiustenkuivaajajajaa, lue alla olevat turvallisuusohjeet huolellisesti ja noudata niitä poikkeuksetta aina käyttäessäsi ghd 2-in-1 -hiustenkuivaajajajaa.

Lue nämä turvallisuusohjeet ja noudata niitä ennen ghd-hiustenkuivaajajajan käyttöä pienentääksesi palovammojen, sähköiskun, tulipalon tai henkilövahinkojen riskiä.

Tämä ghd 2-in-1 -hiustenkuivaajajaja on tarkoitettu ainoastaan hiusten kuivaamiseen ja muotoiluun. Se on tarkoitettu käytettäväksi vain sellaisten tuotteiden kanssa, jotka on erityisesti suunniteltu käytettäväksi lämpömuotoilutuotteiden, kuten ghd-lämpöpussin/-maton kanssa.

**ghd 2-in-1 -hiustenkuivaajajajan käsittely**

ghd 2-in-1 -hiustenkuivaajajajassa on edistyksellisiä, herkkiä osia, joten varmista, ettei tuote putoa. Älä työnnä ghd 2-in-1 -hiustenkuivaajajajaan vieraita esineitä, maalaa, polta tai pura sitä. Älä käytä ghd 2-in-1 -hiustenkuivaajajajaa, jos se on vaurioitunut – esimerkiksi jos hiustenkuivaajajajan kotelo on haljennut. Jos tuote on vaurioitunut väärinkäytön vuoksi, takuu ei kata sitä. Tämä ei vaikuta lakisääteisiin oikeuksiisi.

**Yli 8-vuotiaat lapset tai sellaiset henkilöt, joiden fyysinen, sensorinen tai henkinen toimintakyky on rajoittunut tai joilla ei ole tarvittavaa kokemusta tai tietoa laitteen käytöstä, voivat käyttää laitetta, jos heitä valvotaan ja ohjeistetaan laitteen turvallisen käytön osalta ja he ymmärtävät käyttöön liittyvät vaaratekijät.**

**Lasten ei saa antaa leikkiä laitteella. Lapset eivät saa puhdistaa tai huoltaa laitetta ilman aikuisen valvontaa.**

**PALOVAMMOJEN VAARA: Pidä laite poissa lasten ulottuvilta, erityisesti käytön aikana ja kun se on jäähtymässä käytön jälkeen.**

**Kun laite on kytketty verkkovirtaan, sitä ei saa koskaan jättää ilman valvontaa.**

ghd 2-in-1 -hiustenkuivaajajaja ei sovellu synteettisille hiuksille

Väri voi siirtyä pysyvästi ghd 2-in-1 -hiustenkuivaajajajaan, jos sitä käytetään värjättyihin hiuksiin.

**Varoitus: pidä etäällä vedestä**

**Älä käytä laitetta kylpyammeessa, suihkussa tai vedellä täytetyssä säiliössä.**



**1. Kun käytät hiustenkuivaajajajaa kylpyhuoneessa, irrota pistoke pistorasiasta**

**käytön jälkeen, sillä veden läheisyys aiheuttaa vaaran myös silloin, kun hiustenkuivaajajajasta on katkaistu virta.**

**2. Lisäsuojauksen saamiseksi suositellaan asentamaan vikavirtasuojaja (RCD), jonka käyttövirta ei ylitä 30 mA.**

**3. Älä upota veteen tai laita sitä juoksevan veden alle edes puhdistusta varten.**

**4. VAROITUS: Älä koskaan käytä ghd 2-in-1 -hiustenkuivaajajajaa märillä käsillä, vedessä tai lähellä vettä tai kylpyammeiden, altaiden tai muiden vettä sisältävien astioiden lähellä.**

**5. Älä koske laitteeseen, jos se on pudonnut veteen.**

**6. Älä suihkuta tai levitä märkiä muotoilutuotteita**

## suoraan ghd- hiustenkuivaajaharaan. 7. Ei lasten ulottuville eikä näkyville

### Varoitus: sähkövirta

Kuten useimmissa sähkölaitteissa, sähköosat ovat jännitteisiä myös silloin, kun virta on katkaistu katkaisimesta.

### Sähköiskun vaaran vähentämiseksi:

**Älä käytä laitetta, jos se ei toimi kunnolla tai jos sen virtajohto tai pistoke on vaurioitunut. Jos virtajohto tai pistoke on vaurioitunut,**

## se on vaihdettava Jemella Ltd:n toimesta.

1. Käytä vain 220-240 V:n, 50-60 Hz:n virtalähteen kanssa.
2. Laitetta ei saa koskaan jättää ilman valvontaa, kun se on kytketty pistorasiaan.
3. Pidä virtajohto pois kuumilta pinnoilta. Älä kierrä virtajohtoa laitteen ympärille. Älä ripusta ghd-hiustenkuivaajaharjaa virtajohdosta.
4. Älä käytä, jos virtajohto on vaurioitunut.
5. Älä vedä tai rasita virtajohtoa äläkä irrota pistoketta johdosta vetämällä. Irrota ghd 2-in-1 -hiustenkuivaajaharja pikemminkin kytkemällä laitteesta virta pois ja sitten irrottamalla pistoke pistorasiasta.
6. Irrota aina ghd 2-in-1 -hiustenkuivaajaharja pistorasiasta välittömästi käytön jälkeen.
7. Älä käytä jatkojohtoa tämän laitteen kanssa.
8. Älä käytä laitteessa jänniteinvertteriä tai generaattoria.
9. ghd-tuotteesi on luokan II sähkölaitte, eikä sitä pidä kytkeä maadoitukseen.

10. Mikä tahansa virhe ghd 2-in-1 -hiustenkuivaajaharjan kytkemisessä voi aiheuttaa peruuttamatonta vahinkoa, jota takuu ei kata.

11. Jos ghd 2-in-1 -hiustenkuivaajaharja on rikkoutunut tai ei toimi oikein, lopeta sen käyttö välittömästi ja ota yhteyttä ghd:hen (Jemella Ltd), katso yhteystiedot. Jos ghd 2-in-1 -hiustenkuivaajaharja on rikkoutunut tai ei toimi oikein, lopeta sen käyttö välittömästi ja ota yhteyttä ghd:hen (Jemella Ltd), katso yhteystiedot.



12. ghd 2-in-1 -hiustenkuivaajaharjan voi korjata vain ghd:n asiantuntevien osajien erikoistyökaluilla.

13. VAROITUS: Näiden varotoimenpiteiden noudattamatta jättäminen voi aiheuttaa sähköiskun tai muita vammoja!

### ghd 2-in-1 -hiustenkuivaajaharja on irrotettava verkkovirrasta.

1. Ennen puhdistusta ja kunnossapitoa.
2. Jos se ei toimi oikein.
3. Heti kun olet lopettanut käytön.
4. Jos poistut huoneesta edes hetkeksi.

### Varoitus: Kuumia pintoja

ghd 2-in-1 -hiustenkuivaajaharjan lämpölevy on kuuma tehokkaan muotoilun takaamiseksi.

### Palovammojen vaaran vähentämiseksi:

1. ÄLÄ KOSKAAN kosketa hiustenkuivaajaharjan lämpöistä kiharrinlevyä
2. Vältä hiustenkuivaajaharjan pitelemistä tai koskettamista kohotetun sormisuojan yli.
3. Kun et muotoile, aseta hiustenkuivaajan harja aina tasaiselle, lämmönkestävälle pinnalle, kuten ghd -muotoiluraudan lämpöalustalle.
4. Kun muotoilu on valmis, sammuta hiustenkuivaajaharja ja irrota se virtalähteestä.
5. Anna hiustenkuivaajaharjan jäähtyä ennen säilytykseen laittamista.
6. Muotoilun jälkeen kiharrinlevy pysyy kuumana. Voit jäähdyttää harjaa asettamalla sen lämmönkestävään säilytuspussiin tai -mattoon.
7. Kun hiustenkuivaajaharja on jäähtynyt, taita virtajohto samalla tavalla kuin se toimitettiin ensimmäisen kerran pakkauksessaan. Älä kierrä laitetta käteesi tai hiustenkuivaajaharjan rungon ympärille, sillä se voi johtaa virtajohdon ennalikaiseen vioittumiseen.

**ghd 2-in-1  
-hiustenkuivaajaharja ei ole  
vain houkuttelevia, mutta  
myös lapsillesi. Varmista  
aina, että säilytä ghd 2-in-1  
-hiustenkuivaajaharja lasten**

## ulottumattomissa, erityisesti käytön aikana, erityisesti jäähdytyksen aikana.

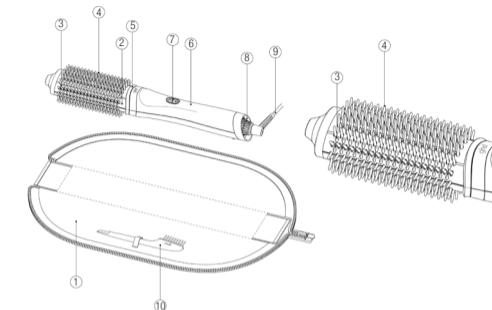
Aseta ghd 2-in-1 -hiustenkuivaajaharja turvalliseen jäähdytykseen lämmönkestävän säilytuspussin/-maton sisällä.

VAROITUS: Vaikka hiustenkuivaajaharja olisi lämmönkestävässä säilytuspussissa/-matossa, ghd-hiustenkuivaajaharjan lämpöpintalevy on edelleen erittäin kuuma. Älä kosketa runkolevyä äläkä anna lasten tai sellaisten henkilöiden koskea, joiden fyysiset, sensoriset tai henkiset kyvyt ovat heikentyneet tai joilla ei ole kokemusta tai tietoa muotoiluraudan koskettamisesta sen jäähtyessä.

### Käyttö

**Varmista, että hiukset on pyyhekuivattu (ei läpimärkä) ennen ghd-laitteen käyttöä.**

1. lämmönkestävä säilytuspussi/matto
2. Lämpölevy
3. Kuumennetut harjakset
4. Lämmittämättömät muoviharjakset



5. Kohotettu sormisuoja. Vältä ghd-hiustenkuivaajaharjan pitelemistä tai koskettamista sen yli.
6. hiustenkuivaajaharjan kahva
7. Virtakytkin ja merkkivalo
8. Ilman tuloaukko
9. Virtajohto
10. Puhdistusharja

- a. Kytke ghd 2-in-1 -hiustenkuivaajaharja virtalähteeseen. ghd 2-in-1 -hiustenkuivaajaharja välähtää hetkeksi virtakytkimen ympärillä ja piippaa merkiksi siitä, että se ON kytketty ja valmiustilassa.

**Kun olet pessyt hiukset, kuivaa ne pyyhkeellä.**

**Älä päästä hiuksistasi tai muista lähteistä ylimääräistä vettä kosketuksiin ghd 2-in-1 -hiustenkuivaajaharjan kanssa.**

**Kun käytät harjaa, varo tukkimasta ilmanottoaukkoa laitteen takana tai ilmanpoistoaukkoa rungon ympärillä. Tämä voi johtaa laitteen siirtymiseen varoimintotilaan.**

- b. Käynnistä ghd 2-in-1 -hiustenkuivaajaharja työntämällä virtakytkin ON-asentoon.
- c. ghd 2-in-1 -hiustenkuivaajaharja soittaa lyhyen käynnistysävelmän ja valo sykkii sen merkiksi, että ghd-hiustenkuivaajaharja kuumenee ja tuuletin alkaa vähitellen kiihtyä.
- d. Kun ghd 2-in-1 -hiustenkuivaajaharja on valmis, siitä kuuluu lyhyt käyttövalmis sävy.
- e. Kun olet valmis, ghd 2-in-1 -hiustenkuivaajaharja antaa lyhyen käyttövalmiuden sävyn, ja virtakytkimen ympärillä oleva valo lopettaa sykkimisen ja palaa jatkuvasti.
- f. Kun lopetat kampauksen, työnnä virtakytkin OFF-asentoon.

Kun tuote kytketään pois päältä, puhallin laskeutuu pehmeästi. Tämä auttaa puhaltamaan jäännöslämmön ulos ilmanlämmittimestä.

Kun virta on katkaistu, irrota ghd-hiustenkuivaajaharja virtalähteestä ja anna sen jäähtyä turvallisessa paikassa tai säilytä mukana toimitetussa lämmönkestävässä pussissa/matossa.

**ghd 2-in-1 -hiustenkuivaajaharjassa on seuraavat turvaominaisuudet:**

- Valmiustila:** ghd 2-in-1 -hiustenkuivaajaharjassa on kaksi lepotila-asetusta:
  - Jos ghd 2-in-1 -hiustenkuivaajaharja on jätetty päälle eikä sitä ole käytetty yli ~30 minuuttiin, turvatoiminto sammuttaa ghd 2-in-1 -hiustenkuivaajaharjan automaattisesti.
  - 60 minuutin jälkeen turvatoiminto sammuttaa ghd 2-in-1 -hiustenkuivaajaharjan automaattisesti, vaikka se olisi edelleen käytössä.
  - ghd 2-in-1 -hiustenkuivaajaharja soittaa sammutusmelodian, lämpölevy alkaa jäähtyä ja tuuletin sammuu
  - Käynnistä ghd 2-in-1 -hiustenkuivaajaharja uudelleen sen ollessa lepotilassa liu'uttamalla virtapainike pois päältä ja takaisin päälle, kunnes kuulet käynnistysään.

Huomaa, että vaikka ghd 2-in-1 -hiustenkuivaajaharja on pois päältä, se on edelleen kytkettynä verkkovirtaan ja se tulisi irrottaa sähköverkosta mahdollisimman pian.

- Suojaustila:** ghd 2-in-1 -hiustenkuivaajaharja voi suojata itseään haittatapahtumilta tai tehonvaihteluilta. Turvallisuuden vuoksi lämpölevy sammuu, hiustenkuivaajaharja piippaa ja valo vilkkuu valkoisena viiden sekunnin välein. Jos näin käy, irrota pistoke pistorasiasta, kytke se uudelleen pistorasiaan ja käynnistä laite uudelleen.
- Vikaturvallinen:** Siinä epätodennäköisessä tapauksessa, että ohjausjärjestelmässä tapahtuu virhe, lämmittimet sammuvat turvallisuussyistä, ghd 2-in-1 -hiustenkuivaajaharja antaa nopeita äänimerkkejä ja valo vilkkuu punaisena 5 sekunnin välein. Jos näin käy, sammuta ghd 2-in-1 -hiustenkuivaajaharja virtalähteestä ja käynnistä uudelleen. Jos laite ei käynnisty uudelleen tai ongelma jatkuu, ota yhteyttä ghd:n asiakaspalveluun.

## Käyttäjän huolto-ohjeet

### ghd 2-in-1 -hiustenkuivaajaharjan puhdistaminen

Varmista ghd 2-in-1 -hiustenkuivaajaharjan optimaalinen tehokkuus puhdistamalla se säännöllisesti mukana toimitetulla harjalla. Valmistajan takuu ei kata näiden puhdistusohjeiden noudattamatta jättämisestä aiheutuneita vaurioita.

- Irrota ghd 2-in-1 -hiustenkuivaajaharja verkkovirrasta.
- Anna ghd 2-in-1 -hiustenkuivaajaharjan aina jäähtyä ennen kuin yrität puhdistaa sitä.
- Älä koskaan upota laitetta veteen.
- Pyyhi ghd 2-in-1 -hiustenkuivaajaharjan ulkopinta kostealla liinalla. Älä käytä teräviä tai hankaavia puhdistusaineita tai syövyttäviä aineita.
- Poista pöly, hiukset ja kosteusjäämät varovasti takasuodattimesta ja lämmitetyistä kanavalevyistä laitteen mukana toimitetulla puhdistusharjalla.

### Varastointi

- Anna ghd 2-in-1 -hiustenkuivaajaharjan aina jäähtyä turvallisessa paikassa tai säilytä sitä mukana toimitetussa lämmönkestävässä pussissa/matossa.
- Kun ghd 2-in-1 -hiustenkuivaajaharja on jäähtynyt, taita virtajohto samalla tavalla kuin se toimitettiin ensimmäisen kerran pakkauksessaan. Älä kierrä virtajohtoa ghd 2-in-1 -hiustenkuivaajaharjan ympärille, sillä se voi rasittaa johtoa ja aiheuttaa virtajohtojen ennenaikaisen vioittumisen.

## Toimintahäiriö

ghd-muotoilulaite on erittäin suorituskykyinen tuote. Jos laite altistuu voimakkaalle verkkovirran vaihtelulle käytön aikana, se voi siirtyä suojaus- tai vikasuojaukseen suojatakseen laitetta vaurioilta. Siinä epätodennäköisessä tapauksessa, että ghd-tuotteesi ei toimi oikein, tarkista, että ghd-tuotteesi ja verkkovirran syöttö on kytketty päälle ja että virta on käytettävissä.

Jos tuote lakkaa toimimasta ja valkoinen tai punainen vikavalo vilkkuu, toimi seuraavasti:

- Laitteen sammuttaminen
- Irrota virtajohto pistorasiasta.
- Odot 5 sekuntia ja kytke laite sitten takaisin pistorasiaan.
- Käynnistä laite uudelleen.

Jos näin käy toistuvasti, ota yhteyttä paikalliseen ghd-huoltoliikkeeseen.

UK-pistokkeiden osalta on varmistettava, että asennettu sulake on ehjä ja toimii. Jos näin ei ole, vaihda se samanarvoiseen brittiläiseen vakiosulakkeeseen.

Jos olet epävarma tai tarvitset lisäohjeita, tutustu ghdhair.com-sivuston ohjeosioon tai ota yhteyttä hyväksytyyn ghd-asiakaspalveluun tai ota yhteyttä ghd:n asiakaspalveluun.

## Valmistajan takuu

Kaikki ghd:n sähkötuotteet testataan yksitellen ennen niiden tehtaalta lähettämistä. Siinä epätodennäköisessä tapauksessa, että tuote osoittautuu vialliseksi valmistus- tai materiaalivirheen vuoksi, ghd korvaa tuotteen maksutta identtisellä tai vastaavalla tuotteella kahden vuoden kuluessa alkuperäisestä ostopäivästä. Korvaava tuote edellyttää alkuperäisen tuotteen jäljellä olevaa takuuta tai 180 päivää sen mukaan, kumpi takuu on pidempi. Kun tuote vaihdetaan, mistä tahansa korvaavasta tuotteesta tulee omaisuuttasi ja korvatusta tuotteesta tulee ghd:n omaisuutta.



Voit hakea korvausta tämän takuun perusteella siirtymällä osoitteeseen ghdhair.com/returns ja noudattamalla näytön ohjeita palautuksen viimeistelemiseksi. Varmista, että liität palautuksen mukaan ostotodistuksen. Säilytä sen vuoksi ostokuitti turvallisessa paikassa.

Tämä takuu koskee vain aitoja ghd-tuotteita, jotka on ostettu ghd:n hyväksymiltä jälleenmyyjiltä. Takuu ei kata tuotteita, jotka on korjattu tai huollettu muilla kuin ghd:n henkilökunnalla tai edustajilla. Huomaa, että tämä takuu voi raueta, jos sarjanumerot tai tunnisteet on poistettu tai jos niitä on muutettu. Tämä ei vaikuta lakisääteisiin oikeuksiisi.

Jemella Group Limited tai sen tytäryhtiöt eivät tarjoa varaosia mihinkään sähkölaitteisiinsa. Jos sinulla ei ole Internet-yhteyttä, palauta ghd-sähkölaite lähimpään ghd-osoitteeseen, joka on painettu tähän esitteeseen tai pakkaukseen, yhdessä ostotodistuksen kanssa. Australiassa ja Uudessa-Seelannissa toimivat asiakkaat voivat soittaa lähimpään ghd:n toimipisteeseen tässä esitteessä olevaan numeroon.

## Kierrättäminen ja hävittäminen

ghd-sähkölaite luokitellaan sähkö- tai elektroniikkalaitteeksi, eikä sitä saa hävittää muun kotitalousjätteen tai kaupallisen jätteen mukana sen käyttöiän päättyessä. Kun et enää käytä ghd-tuotettasi, hävitä se paikallisten viranomaisten kierrätysohjeiden mukaisesti. Saat lisätietoja paikallisilta viranomaisilta.

### Vain UK/EU

ghd-sähkölaite on hävitettävä WEEE-direktiivi (sähkö- ja elektroniikkaromudirektiivi 2002/96/EY), Näin varmistetaan, että tuotteet kierrätetään käyttämällä parhaita saatavilla olevia menetelmiä ja käytäntöjä mahdollisten ympäristövahinkojen minimoimiseksi. Lisätietoja saat paikallisilta viranomaisilta tai jälleenmyyjältä, jolta ostit tämän tuotteen.

### Compliance

Tämä ghd-hiustenkuivaajan harja on BS EN 60335-2-23 -standardin mukainen ja siinä on CE-merkintä. Muita hyväksyntöjä ovat Yhdysvallat, Australia/Uusi-Seelanti ja Etelä-Afrikka. 38/5000 Fremstillet for ghd UK. Jemella Ltd. ghd UK, 82 Dean Street, London, W1D 3SP, UK

ghd / Wella Denmark ApS

+45 43 31 04 64  
Kirkebjerg Parkvej 11B  
2605 Brøndby,  
Denmark



ghd

ghdhair.com

Model Name B2A551

ghd duet -hiustenkuivaaja

ghd ja ghd ovat Jemella Group Limitedin rekisteröityjä tavaramerkkejä.

© Jemella Group Limited 2023

Suunniteltu Cambridgessa, Isossa-Britanniassa.  
Valmistettu Kiinassa.

Not to be reproduced

## EN validate your guarantee

For peace of mind styling with your new ghd product, register your guarantee today for:

- Verification of the authenticity of your ghd product
- Replacement should your ghd product fail within the guarantee period\*
- Exclusive offers and deals before anyone else
- The latest news and trends first

Visit [ghd.com/register](https://www.ghd.com/register) or use your QR reader on your smartphone to validate.

This does not affect your statutory rights. \*conditions apply, see safety instructions



## FR enregistrez votre produit

Pour plus de sérénité lors de l'utilisation de votre nouveau produit ghd, enregistrez-le sur notre site Internet dès aujourd'hui afin :

- de vérifier son authenticité ;
- qu'il puisse être remplacé en cas de problème durant la période de validité de sa garantie\* ;
- de recevoir nos offres exclusives en avant-première ;
- d'être tenu(e) informé(e) des dernières tendances et nouveautés.

Rendez-vous sur <https://www.ghd.com/fr/help/product-registration> ou scannez le QR code depuis votre mobile

Ceci n'affecte en aucun cas les droits statutaires dont vous bénéficiez en vertu des textes applicables. \*Des conditions s'appliquent. Veuillez consulter les consignes de sécurité.



## DE validieren Sie Ihre Garantie

Damit Sie mit Ihrem neuen ghd Produkt sorgenfrei stylen können, registrieren Sie noch heute Ihre Garantie für:

- Überprüfung der Echtheit Ihres ghd-Produkts
- Ersatz, wenn Ihr ghd Produkt innerhalb der Garantiezeit defekt ist\*
- Exklusive Angebote und Deals vor allen anderen
- Die neusten Trend vor allen anderen

Besuchen Sie [ghd.com/de](https://www.ghd.com/de) oder verwenden Sie Ihren QR-Reader auf Ihrem Smartphone, um zu validieren.

Ihre gesetzlichen Rechte bleiben davon unberührt. \*Für weitere Informationen zur Garantievoraussetzung sehen Sie bitte in den Safety instructions nach.



## ES valida tu garantía

Disfruta de tu nuevo producto ghd con toda tranquilidad y registra ahora tu garantía para:

- Verifica la autenticidad de tu producto ghd
- Facilitar el reemplazo de tu producto ghd en garantía\*
- Recibir nuestras ofertas exclusivas
- Estar al día de las últimas novedades y tendencias

Visita [ghd.com/es](https://www.ghd.com/es) o utiliza el lector QR de tu smartphone y valida.

Esto no altera tus derechos en materia de garantía. \*Para más información acerca de las condiciones de garantía consulta el manual de instrucciones.



## IT registrazione del prodotto

Per un utilizzo sicuro del tuo prodotto ghd, registralo\* online sul sito ghd nella sezione dedicata. In questo modo potrai:

- Verificare l'autenticità del tuo prodotto
- Sostituzione in caso di guasto del prodotto ghd entro il periodo di garanzia\*
- Ricevere aggiornamenti su offerte esclusive ghd
- Essere sempre informata sui trends del momento

Visita [ghd.com/it/register](https://www.ghd.com/it/register) oppure utilizza il lettore QR sul tuo smartphone per registrare il tuo prodotto.

La registrazione non pregiudica i diritti stabiliti per legge. \*La mancata registrazione non preclude in alcun modo il diritto alla garanzia legale. Per informazioni sulla garanzia convenzionale, consultare il capitolo 'garanzia' nel presente manuale di istruzioni di questo prodotto ghd.



## SE validera din garanti

För att du ska kunna känna dig lugn när du stylar din nya ghd-produkt, registrera din garanti idag för:

- Verifiering av din ghd-produkts äkthet
- Ersättning om din ghd-produkt skulle gå sönder inom garantiperioden\*
- Exklusiva erbjudanden före alla andra
- De senaste nyheterna och trenderna först

Besök [ghd.com/register](https://www.ghd.com/register) eller använd din QR-läsare på din smartphone för att validera.

Detta påverkar inte dina lagstadgade rättigheter. \*villkoren gäller, se säkerhetsanvisningarna



## NO Valider garantien

For problemfri styling med ditt nye ghd-produkt, registrer garantien din i dag for:

- Verifisering av ektheten til ghd-produktet
- Erstatning hvis ghd-produktet svikter i garantiperioden\*
- Eksklusive tilbud før alle andre
- De siste nyhetene og trendene først

Besøk [ghd.com/register](https://ghd.com/register) deg eller bruk QR-leseren på smarttelefonen for å bekrefte.

Dette har ingen innvirkning på dine lovmessige rettigheter.  
\*Betingelser gjelder, se sikkerhetsanvisninger



## DA validere din garanti

Få ro i sindet med styling med dit nye ghd-produkt ved at registrere din garanti i dag for:

- Verificering af ægtheden af dit ghd-produkt
- Udskiftning, hvis dit ghd-produkt skulle svigte inden for garantiperioden\*
- Eksklusive tilbud før alle andre
- De seneste nyheder og trends først

Besøg [ghd.com/register](https://ghd.com/register), eller brug din QR-læser på din smartphone til at validere.

Dette har ingen indflydelse på dine lovfæstede rettigheder.  
\* betingelser gælder, se sikkerhedsanvisninger



## FI vahvista takuusi

Rekisteröi takuusi jo tänään, niin voit olla varma siitä, että muotoilet hiuksiasi uudella ghd-tuotteellasi:

- ghd-tuotteesi aitouden varmistaminen
- Vaihto, jos ghd-tuotteesi vikaantuu takuuajana\*
- Ainutlaatuisia tarjouksia ennen muita
- uusimmat uutiset ja trendit ensin

Vahvista osoitteessa [ghd.com/register](https://ghd.com/register) tai käytä älypuhelimien QR-lukijaa.

Tämä ei vaikuta lakisääteisiin oikeuksiisi.  
\*ehdot ovat voimassa, katso turvallisuusohjeet



Not to be reproduced