

Beoplay H95

Quick Start Guide

Lynguide

Kurzanleitung

Guía de inicio rápido

Guide de démarrage rapide

Guida di avvio rapido

クイックスタートガイド

빠른 시작 가이드

Snelstartgids

Guia de início rápido

Краткое руководство пользователя

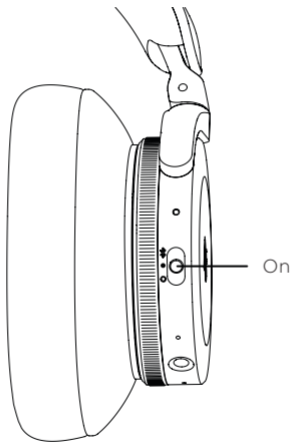
Snabbstartguide

快速入门指南

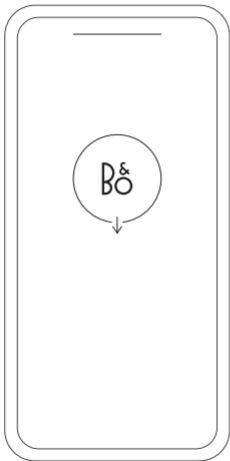
快速入門指南

BANG & OLUFSEN

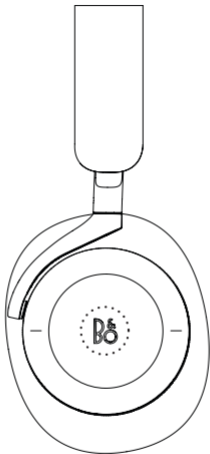
1. Turn on your new Beoplay H95



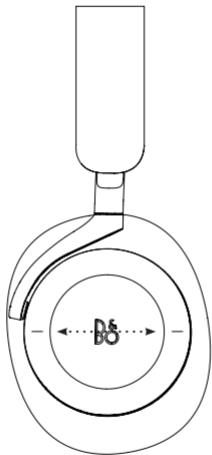
2. Download the Bang & Olufsen App



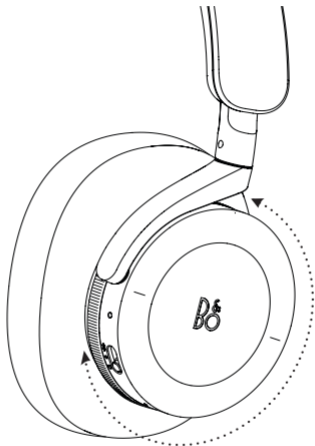
3. Gestures



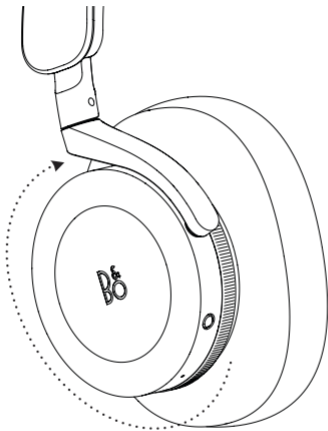
Tap
Play/Pause



Swipe
Next/Previous

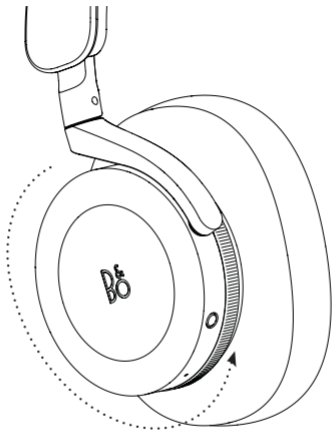


Rotate
Volume (Up/Down)

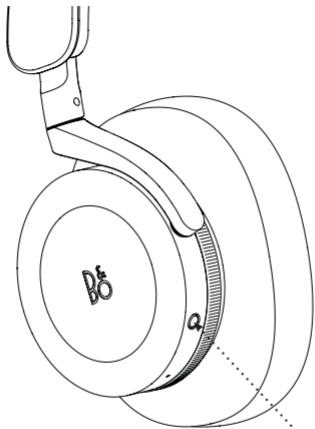


Rotate

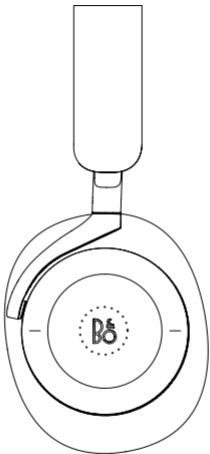
Active Noise Cancellation



Rotate
Transparency Mode

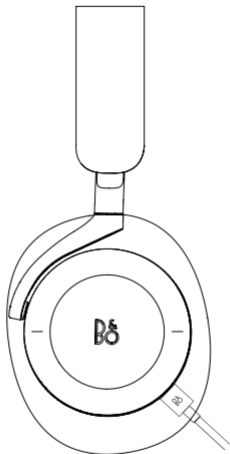


Press
Voice Assistant

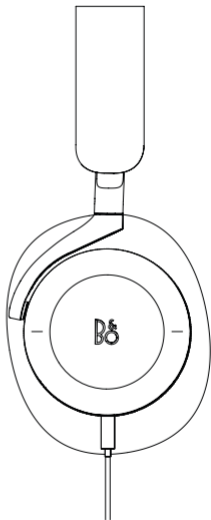
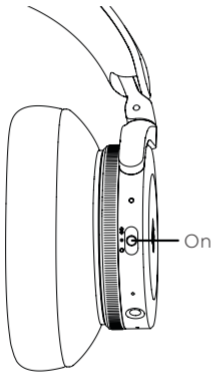


Tap
Call Operation

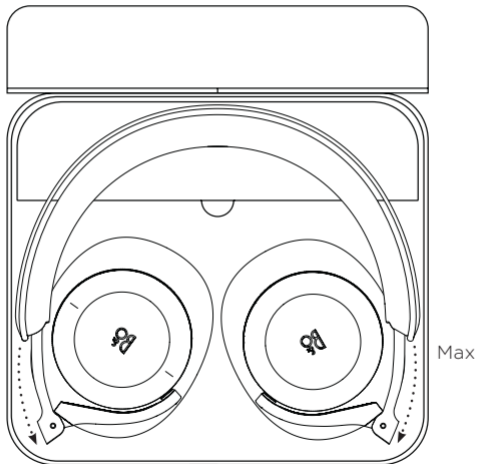
4. Charging



5. Line-in



6. Storage



7. Contents

