

RIVAL 3

PRODUCT INFORMATION GUIDE

PRODUCT INFORMATION

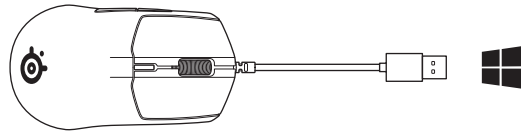
PACKAGE CONTENTS

Rival 3 Mouse Product Information Guide

STEELSERIES GG SOFTWARE REQUIREMENTS

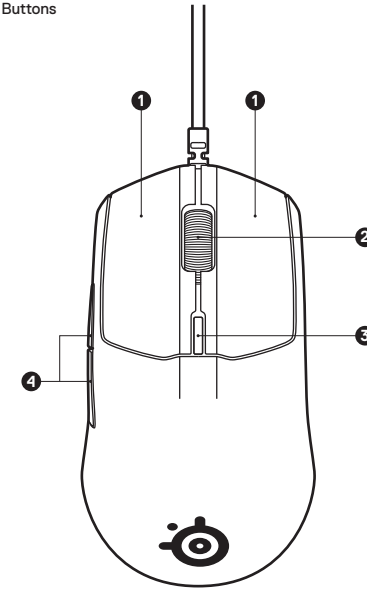
Windows 10+

SETUP

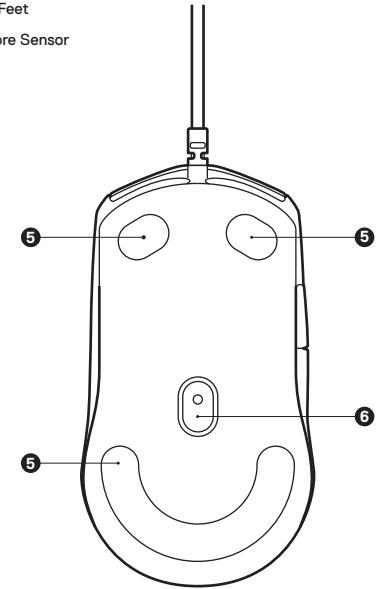


PRODUCT OVERVIEW

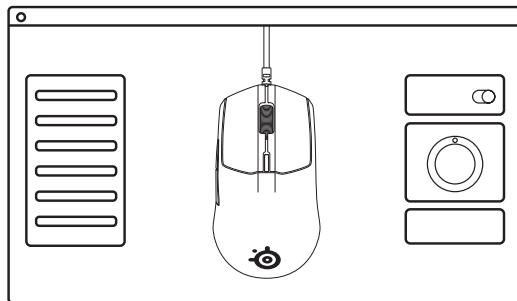
- 1 Main Trigger Buttons
- 2 Scroll Wheel
- 3 DPI Button
- 4 Side Buttons



- 5 100% PTFE Feet
- 6 TrueMove Core Sensor



STEELSERIES ENGINE



To enjoy GameSense integration, custom lighting effects, customization of mouse settings, as well as programming macros on your new Rival 3 mouse, download SteelSeries GG at steelseries.com/gg

TRANSLATIONS

ESPAÑOL

INFORMACIÓN DEL PRODUCTO

CONTENIDO DEL PAQUETE Guía de información del producto
Ratón Rival 3

REQUISITOS DEL SOFTWARE STEELSERIES GG
Windows 10 o superior

DESCRIPCIÓN GENERAL DEL PRODUCTO

- | | |
|-----------------------------------|------------------------|
| 1 Botones activadores principales | 4 Botones laterales |
| 2 Rueda de desplazamiento | 5 100% Pies de PTFE |
| 3 Botón DPI | 6 Sensor TrueMove Core |

简体中文

产品信息

包装内容物 产品信息指南
Rival 3 鼠标

STEELSERIES GG 软件要求
Windows 10+

产品概览

- | | |
|----------|------------------|
| 1 主触发按钮 | 5 100% PTFE 滑垫 |
| 2 滚轮 | 6 TrueMove 核心传感器 |
| 3 DPI 按钮 | |
| 4 侧边按钮 | |

繁體中文

產品資訊

包裝內容 產品資訊指南
Rival 3 滑鼠

STEELSERIES GG 引擎軟體需求
Windows 10+

產品概述

- | | |
|----------|------------------|
| 1 主按鍵 | 4 側鍵 |
| 2 滾輪 | 5 100% PTFE 腳墊 |
| 3 DPI 按鈕 | 6 TrueMove 核心感應器 |

日本語

製品情報

パッケージの内容 製品情報(ガイド)
マウス(Rival 3)

STEELSERIES GGのソフトウェア
Windows 10以降

製品概要

- | | |
|-------------|---------------------|
| 1 メイントリガボタン | 5 100% PTFEフィート |
| 2 スクロールホイール | 6 TrueMove Coreセンサー |
| 3 DPIボタン | |
| 4 サイドボタン | |

한국어

제품 정보

패키지 구성품 제품 정보 안내
Rival 3 마우스

STEELSERIES GG 소프트웨어 요구 사항
Windows 10 이상

제품 개요

- | | |
|-------------|--------------------|
| 1 메인 트리거 버튼 | 4 사이드 버튼 |
| 2 스크롤 휠 | 5 100% PTFE 피트 |
| 3 DPI 버튼 | 6 TrueMove Core 센서 |

DEUTSCH

PRODUKTINFORMATIONEN

LIEFERUMFANG Produktinformationshandbuch
Maus Rival 3

STEELSERIES GG - SOFTWAREANFORDERUNGEN
Windows 10 und neuer

PRODUKTÜBERSICHT

- | | |
|----------------------|------------------------|
| 1 Hauptauslösetasten | 5 100% PTFE-Mausfüße |
| 2 Scroll-Rad | 6 TrueMove-Hauptsensor |
| 3 DPI-Taste | |
| 4 Seitentasten | |

FRANÇAIS

INFORMATIONS SUR LE PRODUIT

CONTENU DE L'EMBALLAGE

Souris Rival 3 Guide d'informations sur le produit

EXIGENCES DU LOGICIEL STEELSERIES GG

Windows 10 +

VUE D'ENSEMBLE DU PRODUIT

- | | |
|---------------------------------------|-----------------------|
| 1 Boutons de déclenchement principaux | 4 Boutons latéraux |
| 2 Molette de défilement | 5 100% Pattes en PTFE |
| 3 Bouton DPI | 6 Capteur TrueMove |

ITALIANO

INFORMAZIONI SUL PRODOTTO

CONTENUTO DELLA CONFEZIONE

Mouse Rival 3 Manuale del prodotto

REQUISITI SOFTWARE STEELSERIES GG

Windows 10 e versioni successive

PANORAMICA DEL PRODOTTO

- | | |
|--------------------------------------|-------------------------|
| 1 Pulsanti di attivazione principali | 4 Pulsanti laterali |
| 2 Rotellina di scorrimento | 5 100% Piedini in PTFE |
| 3 Pulsante DPI | 6 Sensore TrueMove Core |

PORTUGUÊS

INFORMAÇÕES SOBRE O PRODUTO

CONTEÚDO DA EMBALAGEM

Rato Rival 3 Guia de Informações sobre o Produto

REQUISITOS DO SOFTWARE STEELSERIES GG

Windows 10 +

VISÃO GERAL DO PRODUTO

- | | |
|---------------------------------|-----------------------------|
| 1 Botões acionadores principais | 4 Botões laterais |
| 2 Roda do rato | 5 100% Pés em PTFE |
| 3 Botão DPI | 6 Sensor de núcleo TrueMove |

REGULATORY



Europe – EU Declaration of Conformity

Hereby, SteelSeries A/S (GN Hearing A/S), declares that the equipment which is compliance with directive RoHS 2.0 (2015/863/EU), EMC Directive (2014/30/EU), and LVD (2014/35/EU) which are issued by the Commission of the European Community.

EU declaration of conformity is available at the following internet address:
<https://support.steelseries.com/hc/en-us/categories/360001256111-Other-Stuff>
Operating Temperature: 0 to +40 °C

SteelSeries A/S (GN Hearing A/S), hereby confirms, to date, based on the feedback from our suppliers indicates that our products shipping to the EU territory comply with REACH (Registration, Evaluation, Authorization, and Restriction of Chemicals - (EC) 1907/2006) compliance program. We are fully committed to offering REACH compliance on the products and posting accurate REACH compliance status for the all of products.



UK Declaration of Conformity

Hereby, SteelSeries A/S (GN Hearing A/S), declares that the following equipment which is compliance with Electromagnetic Compatibility Regulations 2016, Electrical Equipment (Safety) Regulations 2016, Radio Equipment Regulations 2017 and The Restriction of the Use of Certain Hazardous Substances in Electrical and Electronic Equipment Regulations 2012 issued by the Department for Business, Energy & Industrial Strategy.

The full text of the EU declaration of conformity is available at the following internet address:
<https://support.steelseries.com/hc/en-us/categories/360001256111-Other-Stuff>



WEEE

This product must not be disposed of with your other household waste or treat them in compliance with the local regulations or contact your local city office, your household waste disposal service or the shop where you purchased the product.

Ukraine RoHS:

Обладнання відповідає вимогам Технічного регламенту щодо обмеження використання деяких небезпечних речовин в електричному та електронному обладнанні, затвердженого постановою Кабінету Міністрів України від 3 грудня 2008 № 1057

Restriction on Hazardous Substances statement (India)

This product complies with the "India E-waste Rule 2011" and prohibits use of lead, mercury, hexavalent chromium, polybrominated biphenyls or polybrominated diphenyl ethers in concentrations exceeding 0.1 weight % and 0.01 weight % for cadmium, except for the exemptions set in Schedule 2 of the Rule.



Federal Communication Commission Interference Statement

This device complies with Part 15 of the FCC Rules. Operation is subject to the following two conditions:

- This device may not cause harmful interference, and
- this device must accept any interference received, including interference that may cause undesired operation.

This equipment has been tested and found to comply with the limits for a Class B digital device, pursuant to Part 15 of the FCC Rules. These limits are designed to provide reasonable protection against harmful interference in a residential installation. This equipment generates, uses and can radiate radio frequency energy and, if not installed and used in accordance with the instructions, may cause harmful interference to radio communications. However, there is no guarantee that interference will not occur in a particular installation. If this equipment does cause harmful interference to radio or television reception, which can be determined by turning the equipment off and on, the user is encouraged to try to correct the interference by one of the following measures:

- Reorient or relocate the receiving antenna.
- Increase the separation between the equipment and receiver.
- Connect the equipment into an outlet on a circuit different from that to which the receiver is connected.
- Consult the dealer or an experienced radio/TV technician for help.

FCC Caution:

Any changes or modifications not expressly approved by the party responsible for compliance could void the user's authority to operate this equipment.

Industry Canada Statement:

This device contains licence-exempt transmitter(s)/receiver(s) that comply with Innovation, Science and Economic Development Canada's licence-exempt RSS(s). Operation is subject to the following two conditions:

- This device may not cause interference.
- This device must accept any interference, including interference that may cause undesired operation of the device.

L'émetteur/récepteur exempt de licence contenu dans le présent appareil est conforme aux CNR d'Innovation, Sciences et Développement économique Canada applicables aux appareils radio exempts de licence. L'exploitation est autorisée aux deux conditions suivantes:

- L'appareil ne doit pas produire de brouillage;
- L'appareil doit accepter tout brouillage radioélectrique subi, même si le brouillage est susceptible d'en compromettre le fonctionnement.

The County Code Selection feature is disabled for products marketed in the US/ Canada.

La fonction de sélection de l'indicatif du pays est désactivée pour les produits commercialisés aux États-Unis et au Canada.

This Class B digital apparatus complies with Canadian ICES-003.

Cet appareil numérique de la classe B est conforme à la norme NMB-003 du Canada.



Union européenne : Les produit ne doivent pas être jetés comme des déchets domestiques non triés. Veuillez faire appel au système de collecte public pour faire recycler ou détruire votre batterie en conformité avec les réglementations locales.



Unione europea: Le prodotto non devono essere smaltiti come rifiuti domestici indifferenziati. Si prega di utilizzare il sistema pubblico di raccolta per restituire, riciclare o trattare questi materiali in conformità con le normative locali.



Türkiye Cumhuriyeti: EEE Yönetmeliğine Uygundur.



Ürünü bertaraf ederken, ilgili yerel standart ve yönetmeliklere lütfen uyunuz.

이 기기는 가정용(B급) 전자파적합기기로서 주로 가정에서 사용하는 것을 목적으로 하며, 모든 지역에서 사용할 수 있습니다



- | | |
|------------|------------------------|
| 1. 상호명 | SteelSeries ApS. |
| 2. 기기명칭 | Mouse |
| 3. 모델명 | M-00018 |
| 4. 인증번호 | R-R-SS4-M-00018 |
| 5. 제조사/제조국 | SteelSeries ApS./China |



この装置は、クラスB機器です。この装置は、住宅環境で使用することを目的としていますが、この装置がラジオやテレビジョン受信機に近接して使用されると、受信障害を引き起こすことがあります。取扱説明書に従って正しい取り扱いをして下さい。VCCI-B

零部件名称	有害物质					
	铅 (Pb)	汞 (Hg)	镉 (Cd)	六价铬 (Cr(VI))	多溴联苯 (PBB)	多溴二苯醚 (PBDE)
电路板组件	×	○	○	○	○	○
其他线材	×	○	○	○	○	○

*电路板组件包括印刷电路板及其构成的零部件,如电阻、电容、集成电路、连接器等。

本表格依据SJ/T 11364的规定编制。

○: 表示该有害物质在该部件所有均质材料中的含量均在 GB/T 26572 规定的限量要求以下。

×: 表示该有害物质至少在该部件的某一均质材料中的含量超出 GB/T 26572 规定的限量要求；上表中打“×”的部件, 应功能需要, 部分有害物质含量超出 GB/T 26572 规定的限量要求, 但是符合欧盟 RoHS 法规要求(属于豁免部分)。

该电子电气产品含有某些有害物质, 在环保使用期限内可以放心使用, 超过环保使用期限之后则应进入回收循环系统。



《废弃电器电子产品回收处理管理条例》提示性说明

为了更好地关爱及保护地球, 当用户不再需要此产品或产品寿命终止时, 请遵守国家废弃电器电子产品回收处理相关法律法规, 将其交给当地具有国家认可的回收处理资质的厂商进行回收处理。



ACMA Compliance (Australia/ New-Zealand)



Direct Current

Product Name(產品名稱/产品名称)

Gaming Mouse (滑鼠/鼠标)

Model No. (型號/型号)

M-00018

Rated (規格/规格)

5V --- 400mA

Operating Temperature

0 to +40 °C

Made in China 中國製造/中国製造

符合之檢驗標準及版次:CNS 15663 第5節「含有標示」(102年7月)

設備名稱: 滑鼠 Equipment name: Mouse	限制物質及其化學符號 Restricted substances and its chemical symbols					
	鉛 Lead (Pb)	汞 Mercury (Hg)	鎘 Cadmium (Cd)	六價鉻 Hexavalent chromium (Cr ^{VI})	多溴聯苯 Polybrominated biphenyls (PBB)	多溴二苯醚 Polybrominated diphenyl ethers (PBDE)
塑膠部件 / Plastic	○	○	○	○	○	○
電路板及元件 / PCBA	-	○	○	○	○	○
線材 / Cables	-	○	○	○	○	○
金屬部件 / Metal	-	○	○	○	○	○

備考1. “超出0.1 wt %”及“超出0.01 wt %”係指限制物質之百分比含量超出百分比含量基準值。
Note 1: “Exceeding 0.1 wt %” and “exceeding 0.01 wt %” indicate that the percentage content of the restricted substance exceeds the reference percentage value of presence condition.

備考2. ○係指該項限制物質之百分比含量未超出百分比含量基準值。
Note 2: ○ indicates that the percentage content of the restricted substance does not exceed the percentage of reference value of presence.

備考3. 係指該項限制物質為排除項目。
Note 3: indicates that the restricted substance corresponds to the exemption

Region/ 区域	Address/ 地址	Telephone/ 电话
亚洲	台湾大北歐通訊設備有限公司 新北市中和區建一路186號4F及4F-4 (H棟)	+886 2 8227-1999
亞洲	台灣大北歐通訊設備有限公司 新北市中和區建一路186號4F及4F-4 (H棟)	
Asia	GN Audio Taiwan Ltd. 4F-,4, No. 186, Jian 1st Rd., Zhonghe Dist., New Taipei City, Taiwan	+886 2 8227 1999
Europe	SteelSeries A/S (GN Hearing A/S). · Lautrupbjerg 7, 2750 Ballerup Denmark. · Havnesholmen 8, 1st floor 2450 Copenhagen SV Denmark.	+45 702 500 75
USA	GN Audio USA Inc., · 656 W Randolph St., Suite 3E Chicago, IL 60661, USA · 900 Chelmsford Street, Tower II, 8th Floor, Lowell, MA 01851	+1 312 258 9467

More information and support from <https://steelseries.com/>