

Haier

EN	Chest Freezer User's Manual
IT	Congelatore Manuale dell'utente
ES	Arcón congelador Manual del usuario
DE	Gefriertruhe Benutzerhandbuch
FR	Congélateur coffre Mode d'emploi
NL	Vrieskist Gebruiksaanwijzing
HU	Fagyasztóláda Felhasználói útmutató
RO	Congelator orizontal Manual de utilizare
BG	Хоризонтален фризер Ръководство на потребителя
CS	Pultová domáci mraznička Uživatelská příručka
PL	Zamrażarka wolnostojąca Instrukcja obsługi
EL	Καταψύκτης - μπαούλο Οδηγίες χρήσης
SK	Truhlicová mraznička Návod na použitie
RU	Морозильная камера Руководство пользователя

EN

IT

ES

DE

FR

NL

HU

RO

BG

CS

PL

EL

SK

RU



EN WARNING: Risk of fire/flammable material. The symbol indicates there is a risk of fire since flammable materials are used. Take care to avoid causing a fire by igniting flammable material.

DE WARNUNG: Brandgefahr/ brennbares Material. Das Symbol weist auf Brandgefahr hin, da brennbare Materialien verwendet werden. Verhindern Sie die Entstehung von Bränden, die durch entflammbare Materialien verursacht werden.

FR ATTENTION : Risque d'incendie ou de matières inflammables. Le symbole montre qu'il y'a le risque de matériaux inflammables sont utilisés. Prendre soin d'éviter de provoquer un incendie en ingérant des matières inflammables.

IT ATTENZIONE: Rischio di incendio/materiale infiammabile. Il simbolo indica il rischio di incendio nel caso di utilizzo di materiali infiammabili. Fare attenzione ed evitare l'insorgere di incendi a causa della combustione di materiali infiammabili.

ES ADVERTENCIA: Riesgo de incendio o material inflamable. El símbolo indica que existe riesgo de incendio, dado que se utilizan materiales inflamables. Se debe procurar evitar incendios mediante la combustión de materiales inflamables.

NL WAARSCHUWING: Brandrisico / brandbaar materiaal. Het systeem geeft aan dat er een brandrisico bestaat aangezien brandbaar materiaal wordt gebruikt. Zorg ervoor dat er geen brand wordt veroorzaakt door brandbaar materiaal te ontsteken.

PL OSTRZEŻENIE: Ryzyko pożaru/materiał łatwopalny. Symbol wskazuje, że istnieje ryzyko pożaru, ponieważ używane są materiały łatwopalne. Dbaj o to, aby uniknąć pożaru poprzez zapale nie łatwopalnego materiału.

RO AVERTISMENT: Risc de incendiu/material inflamabil. Simbolul indică că există risc de incendiu deoarece sunt folosite materiale inflamabile. Aveți grijă să evitați incendiile aprinzând materiale inflamabile.

CZ VAROVÁNÍ: Nebezpečí Požáru/ Hořlavého Materiálu. Symbol označuje riziko požáru, protože byly použity hořlavé materiály. Dbejte na to, aby nedošlo ke vzniku požáru zapálením hořlavého materiálu.

HU FIGYELEM: Tűz / gyúlékony anyag veszélye. A szimbólum azt jelzi, hogy tűzveszély áll fenn, mivel gyúlékony anyagokat használnak. Ügyeljen arra, hogy ne tegyen rá tűzveszélyes gyúlékony anyagot.

EL ΠΡΟΣΟΧΗ: Κίνδυνος φωτιάς/εύφλεκτο υλικό. Το σύμβολο υποδεικνύει ότι υπάρχει κίνδυνος φωτιάς επειδή χρησιμοποιούνται εύφλεκτα υλικά. Προσέχετε να αποφεύγετε την πρόκληση φωτιάς από ανάφλεξη εύφλεκτου υλικού.

BG ПРЕДУПРЕЖДЕНИЕ: Опасност от пожар / запалим материал. Символът показва, че съществува риск от пожар, тъй като се използват запалими материали. Внимавайте да не причините пожар чрез запалване на запалим материал.

SK VAROVANIE: Nebezpečenstvo požiaru/horľavý materiál. Symbol označuje nebezpečenstvo požiaru, pretože sa používajú horľavé materiály. Dávajte pozor, aby ste predišli vzniku požiaru vznietením horľavého materiálu.

RU ПРЕДУПРЕЖДЕНИЕ. Огнеопасно / воспламеняющийся материал. Символ указывает на риск возгорания, поскольку используются легковоспламеняющиеся материалы. Соблюдайте осторожность, чтобы не вызвать пожар из-за легковоспламеняющихся материалов.

DIAGRAMS

FIG. 1

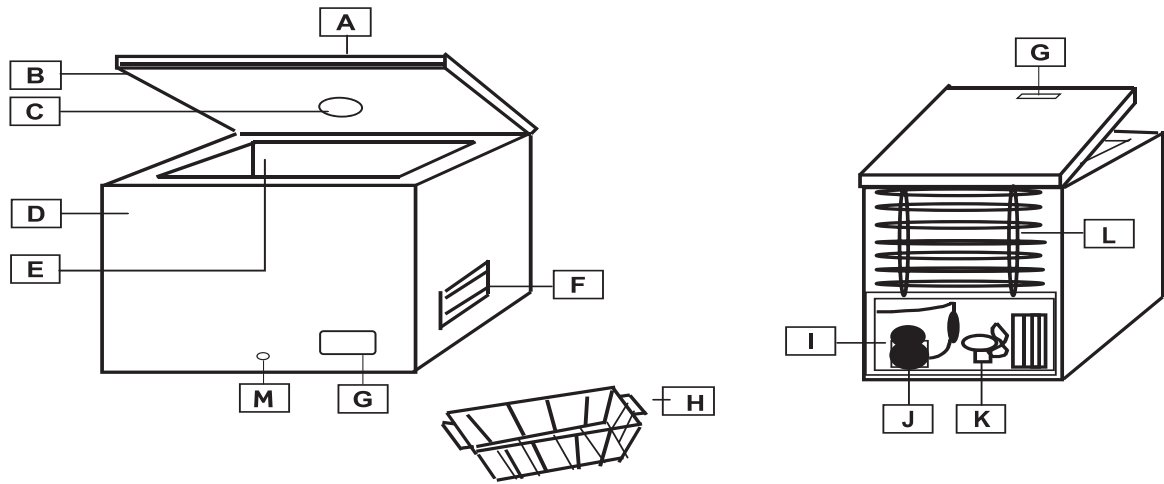


FIG. 2

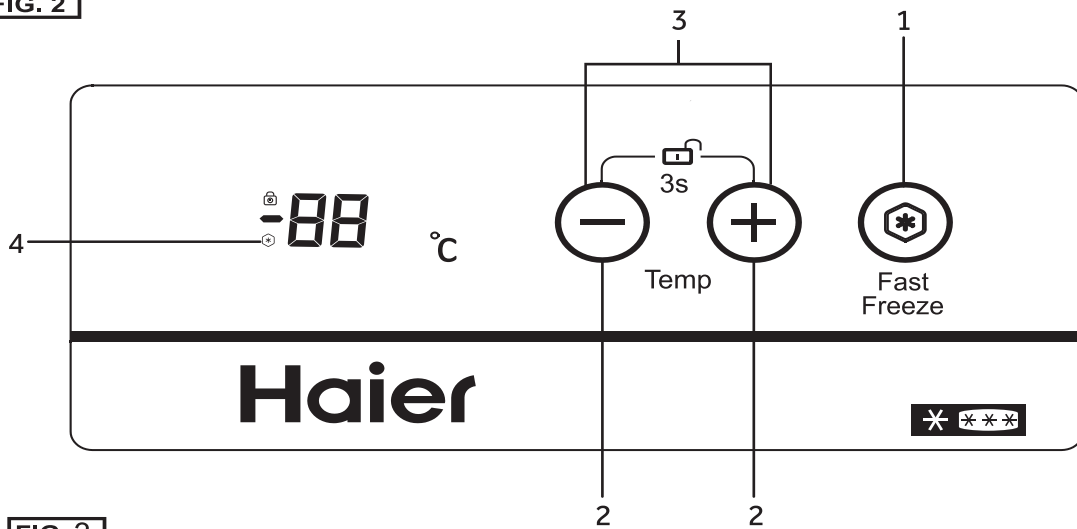


FIG. 3

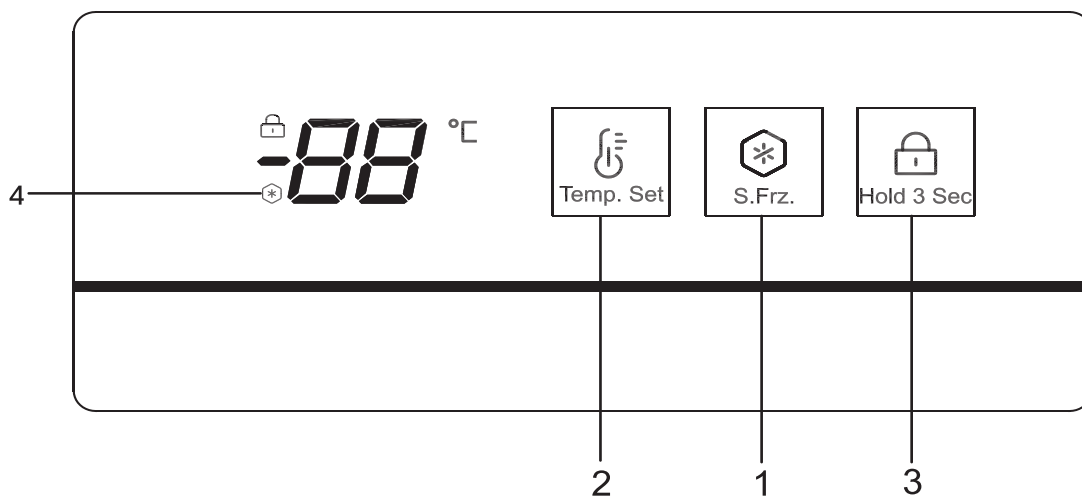
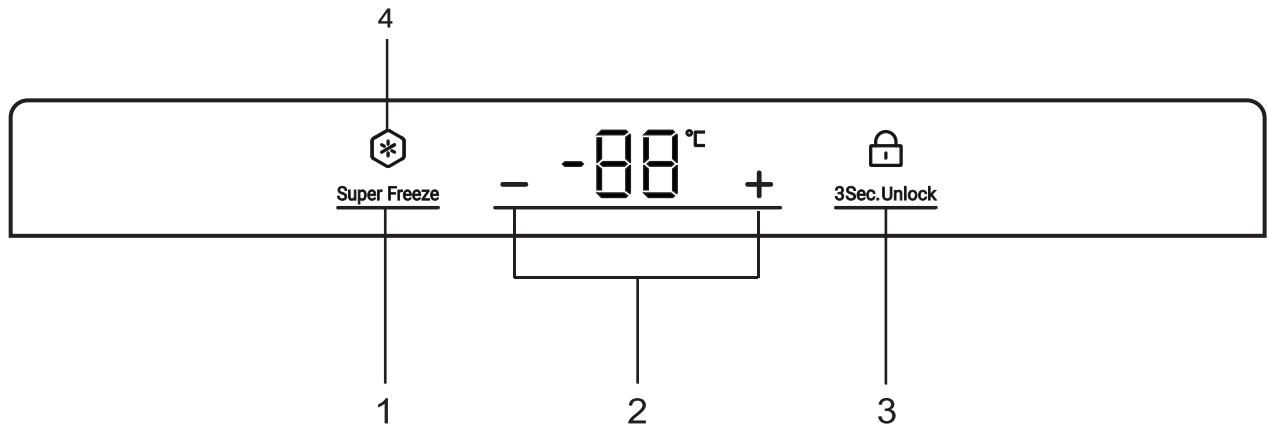



FIG. 4



PRECAUTIONS

- This appliance can be used by children aged from 8 years and above and persons with reduced physical, sensory or mental capabilities or lack of experience and knowledge if they have been given supervision or instruction concerning use of the appliance in a safe way and understand the hazards involved.
- Children shall not play with the appliance.
- Cleaning and user maintenance shall not be made by children without supervision.
- The appliance must be positioned so that the plug is accessible.
- If the supply cord is damaged, it must be replaced by the manufacturer, its service agent or similarly qualified persons in order to avoid a hazard.
- **WARNING:** Keep ventilation openings, in the appliance enclosure or in the built-in structure, clear of obstruction.
- **WARNING:** Do not use mechanical devices or other means to accelerate the defrosting process, other than those recommended by the manufacturer.
- **WARNING:** Do not damage the refrigerant circuit.
- **WARNING:** Do not use electrical appliances inside the food storage compartments of the appliance, unless they are of the type recommended by the manufacturer.
- Please contact to the service agent to dispose the appliance because the flammable blowing gas was used.
- If the illuminating lamps is damaged, it must be replaced by the manufacturer, its service agent or similarly qualified persons in order to avoid a hazard.
- Do not store explosive substances such as aerosol cans with a flammable propellant in this appliance.
- The freezing functions works at ambient temperature as low as -15°C only with freezer maximum setting (-26°C setting).
- Since the flammable refrigerants are used, please installed, handle, and service the appliance strictly according to the instruction and contact the professional agent or our after-sale service to dispose of the appliance.
- A switch is built into appliances equipped with lighting. When the appliance is opened the light goes on automatically and switches off automatically when closed.(not provided in all models)
- Regulation require the appliance to be earthed.
- The  symbol on the product or on its packaging indicates that this product may not be treated as household waste. Instead it shall be handed over to the applicable collection point for the recycling of electrical and electronic equipment. By ensuring this product is disposed of correctly, you will help prevent potential negative consequences for the environment and human health, which could otherwise be caused by inappropriate waste handling of this product. For more detailed information about recycling of this product, please contact your local city office, your household waste disposal service or the shop where you purchased the product.
- **WARNING:** When positioning the appliance, ensure the supply cord is not trapped or damaged.
- **WARNING:** Do not locate multiple portable socket-outlets or portable power supplies at the rear of the appliance.
- Children aged from 3 to 8 years are allowed to load and unload refrigerating appliances.
- This appliance is intended to be used in household and similar applications such as:
 - staff kitchen areas in shops, offices and other working environments;
 - farm houses and by clients in hotels, motels and other residential type environments;
 - bed and breakfast type environments;
 - catering and similar non-retail applications.
- To avoid contamination of food, please respect the following instructions:
 - Opening the door for long periods can cause a significant increase of the temperature in the compartments of the appliance.
 - Clean regularly surfaces that can come in contact with food and accessible drainage systems.
 - Store raw meat and fish in suitable containers in the freezer, so that it is not in contact with or drip onto other food.
 - If the refrigerating appliance is left empty for long periods, switch off, defrost, clean, dry, and leave the door open to prevent mould developing within the appliance.
- To ensure the safe preservation of foodstuffs, instant food and raw meat/ fish shall be stored separately.
- This refrigerating appliance is not intended to be used as a built-in appliance.

DIAGRAMS

FIG1.

- A Lid
- B Gasket
- C Interior light (if available)
- D Cabinet
- E Storage compartment
- F Ventilation grille
- G Control panel
- H Basket
- I Compressor chamber
- J Compressor
- K Fan (if available)
- L Back condenser (if available)
- M Defrost water drain plug

BEFORE USE

- This appliance is intended strictly for household use, for storing food only.
- If the appliance unpacked is damaged please contact your dealer.
- The mains electricity supply must conform to the rating plate of the appliance.

INSTALLATION

- Fully unpack the appliance. Please ensure that all packaging materials are removed and properly disposed prior to installation and kept out of children's reach.
- The appliance should be installed in a dry, well ventilated room, and not exposed to direct sunlight and not placed near a heat source.
- Leave at least 10cm between the appliance and surrounding for ventilation and heat dissipation.
- The electricity supply must conform to as specified on the rating plate and follow local regulations.
- It is recommended to wait at least two hours before plugging the appliance after installation. This helps the refrigerant circuit to stabilise.
- Install the appliance at a location where the ambient temperature corresponds to the climate class indicated on the rating plate of the appliance:

Climatic class	Ambientt emperature
SN	+10 °C to 32 °C
N	+16 °C to 32 °C
ST	+16 °C to 38 °C

START-UP

1. Insert the plug in the socket. All indicators light up and switch off. And then temperature is displayed.
2. Allow one hour for the temperature inside the appliance to go down and then place food inside the appliance

TEMPERATURE SETTING

Press (2) to adjust temperature.

It's suggested to set the temperature at -18°C

FUNCTION SETTING (If available)

Press (1) till (4) light up to activate Super Freeze function.

The Fast freeze function will be switched off automatically after 71 hours to save energy. Energy consumption will increase when this function is on. During the Fast freeze function, temperature in the freezer will be -26°C

Press (3) for 3 seconds to lock/unlock the control panel.

FREEZING FOOD

- Wrap or seal food in aluminium foil, air tight containers or food storage bags prior to freezing.
- Allow hot food to cool prior to placing it in the appliance.
- Smaller portion of food will be faster frozen. The recommended max portion weight is 2.5kg.
- Avoid placing warm food directly in contact with already frozen food. Frozen food could defrost and may not outlast the foreseen storage time.
- The capacity of the appliance, as shown on the rating plate, should not be exceeded.
- When filling the appliance with higher quantities of fresh food, it is recommended to turn on the Super Freeze function (if available) 53 hours in advance.
- The storage time for purchased deep-frozen products varies and depends on the type of product and its packaging. Therefore, strictly observe the producer/manufactures instructions on the packaging.

CLEANING AND MAINTENANCE

- Always ensure thatt he power supply is switched off prior to conducting any maintenance or cleaning of the appliance.
- If you leave your appliance out of use for an extended period,leave it open to prevent odour and unpleasant smells building up inside.
- To ensure the safe preservation of foodstuffs,please comply with this instruction to use and clean the freezer regularly. The detail is as below part.

- Clean the inside of your freezer at least once a year. Use warm water and baking soda solution-about a tablespoon of baking soda to litre/quart of water. Rinse thoroughly with water and wipe dry.Do not use cleaning powders or other abrasive cleaners. Do not wash removable parts in a dishwasher.
- Do not use harsh chemicals,abrasives,ammonia, chlorine bleach,concentrated detergents,solvents or metal scouring pads.Some of these chemicals may dissolve,damage and/or discolour your freezer.
- Never use metallic scouring pads,brushes,abrasive cleaners,or alkaline solutions on any surface.
- Clean door gasket every three months according to inside clean instruction.Gaskets must be kept clean and pliable to assure a proper seal.For positons, such as seams,solts,holes,and so on,the simple tools may be used to clean,such as soft brushes.If needed, detachable shelves,trays,drawers and similar accessories can be cleaned through removed from the appliance and washed in the basin.

DEFROSTING

The appliance should be defrosted once the thickness of ice on the walls reaches 5-6 mm.

Do not use any electrical, sharp or mechanical objects to assistant in defrosting the ice removal process, unless supplied or approved by manufacturer or approved service centre.

To remove ice from the inner walls, use a plastic or wood scraper without sharp edges. Never use a metal scraper.

Proceed as follows:

1. Make sure to unplug the appliance.
2. Dry your hands thoroughly to prevent skin damage by contact with ice (it is advised to use gloves).
3. Remove all frozen food from the appliance, put it into a container, cool box, put the frozen cool blocks on top of the frozen food to help keep it very cold, and place the container or cool box in a cool, dry room.
4. Pull out the water drain plug (if available) located at the bottom of the appliance. Otherwise you must wipe up the melt water at the bottom of the appliance compartment with a sponge or towel.
5. Scrape the ice carefully from the inner of appliance and put it in to your kitchen sink, for defrosting.
6. Thoroughly clean the inside of the appliance compartment, rinse it with warm water and remove any spilt food or liquids.

7. Wipe the appliance with an absorbent cloth or sponge thoroughly dry and allow to air for about 3 to 4 minutes.
8. Replace the drain-plug (if available).
9. Close the appliance door, replace the plug in the socket and turn the appliance on.
10. Now re-fill the frozen food.

To prevent frozen food from defrosting, carry out the defrosting procedure within a maximum of two hours to reduce significant rise in temperature of the frozen food that would shorten the storage life.

TROUBLESHOOTING

1. **Door difficult to open?**
After closing the door it may be difficult to open it again for a few minutes. This is normal and means that door seal is working correctly. Just wait few minutes and you will be able to open the door easily.
2. **No operation (appliance not running/getting cold)**
 - Is there a power failure?
 - Is the plug in good condition and properly plugged into the socket?
3. **Appliance not working sufficiently/‘HH’ is on**
 - Is the lid of the appliance closed properly?
 - Is there heavy ice formation on the inner walls?
 - Is the appliance exposed to direct sunlight or heat source?
 - Have too much warm foods been put in the appliance?
 - The climatic class can be found on the rating lable in the back of the appliance. It specifies the ambient temperatures at which the appliance will operate correctly.

Climatic class	Ambient temperature
SN	+10 °C to 32 °C
N	+16 °C to 32 °C
ST	+16 °C to 38 °C

4. **The appliance makes noise.**
This noise is produced when the motor in the compressor operates and also by refrigerant flowing in the cooling system circuit. These noises are normal.
5. **Condensation build up on external walls**
Under certain atmospheric conditions, condensation can form on external walls of the appliance. This is normal and won't affect the function of the appliance.

AFTER-SALE SERVICE

1. Resolving faults by yourself

If you suspect any fault, before contacting the approved after-sales service directly or via your dealer, make sure you have observed all instructions and advice in this user manual.

2. After-sales service

Consult the enclosed warranty card for available after-sales services.

In order to receive immediate help, make sure you have ready the following essential data to identify your appliance:

- ✓ Brand of appliance
- ✓ Model
- ✓ Serial number
- ✓ The problem or reason
- ✓ Date of purchase
- ✓ Purchased from/supplier

To contact the technical assistance, visit our website: <https://corporate.haier-europe.com/en/>
Under the section “website”, choose the brand of your product and your country. You will be redirected to the specific website where you can find the telephone number and form to contact the technical assistance

AVAILABILITY OF SPARE PARTS

Thermostats, temperature sensors, printed circuit boards and light sources are available for a minimum period of seven years after placing the last unit of the model on the market.

Door handles, door hinges, trays and baskets for a minimum period of seven years and door gaskets for a minimum period of 10 year, after placing the last unit of the model on the market.

GUARANTEE

Minimum guarantee is: 2 years for EU Countries, 3 years for Turkey, 1 year for UK, 1 year for Russia, 3 years for Sweden, 2 years for Serbia, 5 years for Norway, 1 year for Morocco, 6 months for Algeria, Tunisia no legal warranty required.

PRECAUTIONS

- If your cabinet is to be discarded, you must remove the door and leave the shelves in place. This will reduce the possibility of danger to children. And the flammable foaming needs to be disposed by professional persons.

ENERGY SAVING TIPS

- After the appliance has been in operation for some time, a layer of frost or ice will form on the inside walls. This increases energy consumption. In order to save energy and maintain best performance, please, defrost the freezer regularly. Refer to User's instruction chapter “Defrosting”.

DECLARATION OF CONFORMITY

The manufacturer of the product/s described herein, to which this description refers, declares on its sole responsibility that the product/s meet the relevant fundamental safety, health and protection requirements of the relevant UK and EU requirements and that the corresponding test reports are available for examination by the relevant authorities and can be requested from the seller of the appliance, especially with regard to CE Declaration of Conformity issued by the manufacturer or with the manufacturer's approval.

Moreover, the manufacturer declares that the parts of the appliance described in this user manual, which come into contact with fresh food, do not contain any toxic substances.


The manufacturer works constantly at the further development of all products. Please therefore bear this in mind as the form, set up and technology are subject to change, without prior notice.

For further information about the product, please consult <https://eprel.ec.europa.eu/> or scan the QR on the energy label supplied with the appliance

LOW FROST

Due to the low frost modulus, dry air enters the cabinet, ensuring that ice formation is reduced.

PRECAUZIONI

- Questo elettrodomestico può essere utilizzato da bambini di età superiore a 8 anni e da persone con ridotte capacità fisiche, sensoriali o mentali, oppure prive di esperienza e conoscenza, se supervisionati o istruiti riguardo all'uso dell'elettrodomestico in sicurezza, e se comprendono i rischi che derivano dall'uso dello stesso.
- I bambini non devono giocare con l'elettrodomestico.
- La pulizia e la manutenzione da parte dell'utente non possono essere effettuate da bambini senza supervisione.
- L'elettrodomestico deve essere posizionato in modo che la spina sia accessibile.
- Se il cavo di alimentazione dell'elettrodomestico dovesse essere danneggiato, farlo sostituire dal produttore, dal suo servizio tecnico o da un tecnico qualificato, per evitare rischi.
- **AVVERTENZA:** Mantenere le aperture di ventilazione nel luogo in cui si trova l'elettrodomestico o nella struttura nella quale è incassato libere da qualsiasi ostruzione.
- **AVVERTENZA:** Non usare dispositivi meccanici o altri strumenti artificiali per accelerare il processo di sbrinamento, diversi da quelli consigliati dal produttore.
- **AVVERTENZA:** Non danneggiare il circuito del refrigerante.
- **AVVERTENZA:** Non usare apparecchi elettrici all'interno degli scomparti per la conservazione degli alimenti dell'elettrodomestico, se questi non sono del tipo consigliato dal produttore.
- Contattare l'agente del servizio post-vendita per smaltire l'elettrodomestico poiché vengono utilizzati gas ad espansione infiammabili per l'isolamento.
- Se le lampade di illuminazione sono danneggiate, farle sostituire dal produttore, dal suo servizio tecnico o da un tecnico qualificato, per evitare rischi.
- Non conservare in questo elettrodomestico sostanze esplosive come le bombolette aerosol con un propellente infiammabile.
- Congelatore orizzontale adatto per l'uso in ambienti non riscaldati e fuori edificio a non meno di -15°C.
- Poiché vengono utilizzati refrigeranti infiammabili, installare, maneggiare e riparare l'elettrodomestico rigorosamente secondo le istruzioni e contattare l'agente professionale o il nostro servizio post-vendita per smaltirlo.
- Un interruttore è incorporato negli elettrodomestici dotati di illuminazione. Quando l'elettrodomestico viene aperto la luce si accende automaticamente e si spegne automaticamente alla chiusura (non previsto in tutti i modelli).
- La normativa prevede che l'elettrodomestico sia messo a terra.
- Il simbolo  sul prodotto o sul relativo imballaggio indica che questo prodotto non può essere trattato come rifiuto domestico. Deve invece essere consegnato ad un punto di raccolta appropriato per il riciclo di dispositivi elettrici ed elettronici. Assicurandovi che questo prodotto sia smaltito correttamente, contribuirete a prevenire potenziali conseguenze negative per l'ambiente e la salute umana, che potrebbero essere causate da una gestione inappropriata dei rifiuti di questo prodotto. Per informazioni più dettagliate relative al riciclaggio di questo prodotto, si consiglia di contattare il proprio ufficio comunale, il proprio servizio di smaltimento rifiuti domestici o l'esercente presso il quale è stato acquistato il prodotto.
- **AVVERTENZA:** Durante il posizionamento dell'elettrodomestico, accertarsi che il cavo di alimentazione non resti impigliato o sia danneggiato.
- **AVVERTENZA:** Non posizionare prese portatili multiple o alimentazioni di potenza portatili nella parte posteriore dell'elettrodomestico.
- I bambini dai 3 agli 8 anni possono riempire e svuotare gli elettrodomestici.
- Questo elettrodomestico è destinato ad essere utilizzato in applicazioni domestiche e simili, come ad esempio:
 - in cucine per il personale in negozi, uffici e altri ambienti di lavoro;
 - in agriturismi e dai clienti negli alberghi, nei motel e in altri ambienti di tipo residenziale;
 - in ambienti di tipo bed and breakfast;
 - in servizi di catering e applicazioni simili non per la vendita al dettaglio.
- Per evitare la contaminazione degli alimenti, si prega di rispettare le seguenti istruzioni:
 - L'apertura prolungata della porta può causare un significativo aumento della temperatura nei vani dell'elettrodomestico.
 - Pulire regolarmente le superfici che possono venire a contatto con gli alimenti e i sistemi di scarico accessibili.
 - Conservare la carne cruda e il pesce in contenitori adatti nel congelatore, in modo che non venga a contatto o non goccioli su altri alimenti.
 - Se il congelatore viene lasciato vuoto per lunghi periodi di tempo, spegnere, sbrinare, pulire, asciugare e lasciare la porta aperta per evitare che si formi muffa all'interno.
- Per garantire la conservazione sicura degli alimenti, gli alimenti istantanei e la carne/il pesce crudo devono essere conservati separatamente.
- Apparecchio di refrigerazione non destinato ad essere utilizzato come apparecchio da incasso.

SCHEMI

FIG. 1.

- A Coperchio
- B Guarnizione
- C Luce interna (Se disponibile)
- D Armadietto
- E Vano ripostiglio
- F Griglia di ventilazione
- G Pannello comandi
- H Cestello
- I Camera del compressore
- J Compressore
- K Ventola (se disponibile)
- L Condensatore posteriore (se disponibile)
- M Tappo di scarico dell'acqua di sbrinamento

PRIMA DELL'USO

- Questo elettrodomestico è destinato esclusivamente all'uso domestico, per la conservazione di alimenti.
- Se, una volta disimballato, l'elettrodomestico è danneggiato, contattare il proprio rivenditore.
- L'alimentazione elettrica di rete deve essere conforme alla targhetta dell'elettrodomestico.

INSTALLAZIONE

- Disimballare completamente l'elettrodomestico. Si prega di assicurarsi che tutti i materiali di imballaggio siano rimossi e smaltiti correttamente prima dell'installazione e tenuti fuori dalla portata dei bambini.
- L'elettrodomestico deve essere installato in un ambiente asciutto, ben ventilato, non esposto alla luce diretta del sole e lontano da fonti di calore.
- Lasciare almeno 10 cm tra l'elettrodomestico e l'ambiente circostante per la ventilazione e la dissipazione del calore.
- L'alimentazione elettrica deve essere conforme a quanto specificato sulla targhetta; rispettare le normative locali.
- Si raccomanda di attendere almeno due ore prima di collegare l'elettrodomestico dopo l'installazione. Questo facilita la stabilizzazione del circuito del refrigerante.

Installare il frigorifero in un luogo in cui la temperatura ambientale corrisponda alla classe climatica indicata nell'etichetta dell'apparecchio:

Classe climatica	Temperatura ambiente
SN	da 10 °C a 32 °C
N	da 16 °C a 32 °C
ST	da 16 °C a 38 °C

AVVIAMENTO

1. Inserire la spina nella presa. Tutti gli indicatori si accendono e si spengono. Quindi viene visualizzata la temperatura.
2. Lasciare trascorrere un'ora per far scendere la temperatura all'interno dell'elettrodomestico e poi collocare il cibo all'interno dell'elettrodomestico stesso.

IMPOSTAZIONI TEMPERATURA

Premere (2) per regolare la temperatura.

Si consiglia di impostare la temperatura a -18°C.

IMPOSTAZIONE DELLE FUNZIONI (se disponibile)

Premere (1) fino all'accensione di (4) per attivare la funzione Super Freeze.

La funzione Fast freeze verrà disattivata automaticamente dopo 71 ore per risparmiare energia. Il consumo di energia aumenterà quando questa funzione è attiva. Durante la funzione Fast Freeze, la temperatura nel congelatore sarà di -26 °C.

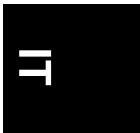
Premere (3) per 3 secondi per bloccare/sbloccare il pannello comandi.

SURGELAMENTO DEGLI ALIMENTI

- Avvolgere o sigillare gli alimenti in fogli di alluminio, contenitori o sacchetti a tenuta d'aria di conservazione degli alimenti prima del congelamento.
- Lasciare raffreddare gli alimenti caldi prima di inserirli nell'elettrodomestico.
- Una porzione più piccola di alimenti sarà più veloce da surgelare. Il peso massimo consigliato della porzione è di 2,5 kg.
- Evitare di mettere alimenti caldi a diretto contatto con alimenti già surgelati. Gli alimenti congelati possono scongelarsi e potrebbero non durare più a lungo del tempo di conservazione previsto.
- La capacità dell'elettrodomestico, come indicato sulla targhetta, non deve essere superata.
- Quando si riempie l'elettrodomestico con quantità più elevate di alimenti freschi, si consiglia di accendere la funzione Super Freeze (se disponibile) 53 ore prima.
- Il tempo di conservazione per i prodotti surgelati acquistati varia e dipende dal tipo di prodotto e dal relativo imballaggio. Pertanto, osservare scrupolosamente le istruzioni del produttore sulla confezione.

PULIZIA E MANUTENZIONE

- Assicurarsi sempre che l'alimentazione elettrica sia disinserita prima di effettuare qualsiasi manutenzione o pulizia dell'elettrodomestico.
- Se lasciate il vostro elettrodomestico inutilizzato per un periodo prolungato, lasciatelo aperto per evitare che all'interno si formino odori sgradevoli.
- Per garantire la conservazione dei prodotti alimentari, si prega di rispettare le presenti istruzioni per l'uso e di pulire il congelatore regolarmente. I dettagli sono riportati qui di seguito.



- Pulire l'interno del vostro congelatore almeno una volta all'anno. Utilizzare acqua calda e una soluzione di bicarbonato di sodio - circa un cucchiaino di bicarbonato di sodio per litro di acqua. Risciacquare accuratamente con acqua e asciugare. Non utilizzare polveri detergenti o altri detergenti abrasivi. Non lavare in lavastoviglie i componenti rimovibili.
- Non utilizzare prodotti chimici aggressivi, abrasivi, ammoniaci, candeggina al cloro, detergenti concentrati, solventi o pagliette abrasive metalliche. Alcune di queste sostanze chimiche possono dissolversi, danneggiare e/o scolorire il congelatore.
- Non utilizzare mai pagliette abrasive metalliche, spazzole, soluzioni abrasive, detergenti o alcaline su qualsiasi superficie.
- Pulire la guarnizione della porta ogni tre mesi secondo le istruzioni di pulizia interna. Le guarnizioni devono essere tenute pulite e flessibili per garantire una tenuta adeguata. Per posizioni quali saldature, fessure, fori e così via, si possono usare i semplici strumenti per pulire, come le spazzole morbide. Se necessario, ripiani, vassoi, cassette e accessori simili staccabili possono essere rimossi dall'elettrodomestico e lavati nel lavandino.

SBRINAMENTO

L'elettrodomestico deve essere sbrinato quando lo spessore del ghiaccio sulle pareti raggiunge i 5-6 mm. Non utilizzare alcun oggetto elettrico, affilato o meccanico per facilitare lo sbrinamento durante il processo di rimozione del ghiaccio, a meno che non sia fornito o approvato dal produttore o da un centro di assistenza autorizzato.

Per togliere il ghiaccio dalle pareti interne, utilizzare un raschietto di plastica o di legno senza spigoli vivi. Non utilizzare mai un raschietto metallico.

Procedere come segue:

1. Assicurarsi di scollegare l'elettrodomestico.
2. Asciugare bene le mani per evitare danni alla pelle dovuti al contatto con il ghiaccio (si consiglia di usare i guanti).
3. Togliere tutti gli alimenti surgelati dall'elettrodomestico, metterli in un contenitore, o scatola frigorifera, mettere i blocchi freddi surgelati sopra gli alimenti surgelati per aiutarli a mantenerli molto freddi, e collocare il contenitore o la scatola frigorifera in un ambiente fresco e asciutto.
4. Estrarre il tappo di scarico dell'acqua (se disponibile) situato sul fondo dell'elettrodomestico. In caso contrario è necessario pulire l'acqua sciolta sul fondo del vano dell'elettrodomestico con una spugna o un asciugamano.
5. Raschiare con cura il ghiaccio dall'interno dell'elettrodomestico e mettetelo nel lavello della cucina, per scioglierlo.
6. Pulire accuratamente l'interno dello scomparto dell'elettrodomestico, sciacquarlo con acqua tiepida e rimuovere gli alimenti o i liquidi versati.

7. Asciugare accuratamente l'elettrodomestico con un panno assorbente o una spugna e lasciarlo all'aria per circa 3 o 4 minuti.
8. Sostituire il tappo di scarico (se disponibile).
9. Chiudere la porta dell'elettrodomestico, rimettere la spina nella presa e accendere l'elettrodomestico.
10. A questo punto, introdurre nuovamente gli alimenti surgelati.

Per evitare che gli alimenti surgelati si scongelino, eseguire la procedura di scongelamento entro un massimo di due ore per ridurre il significativo aumento di temperatura degli alimenti surgelati che ne ridurrebbe la durata di conservazione.

QUALCOSA NON FUNZIONA

1. **Difficoltà di apertura della porta?**
Dopo aver chiuso la porta può essere difficile aprirla di nuovo per qualche minuto. Questa situazione è normale e significa che la guarnizione della porta funziona correttamente. Aspettate qualche minuto e si potrà aprire la porta facilmente.
2. **Mancato funzionamento (elettrodomestico non in funzione / non si raffredda)**
 - C'è un'interruzione di corrente?
 - La spina è in buone condizioni e correttamente inserita nella presa?
3. **L'elettrodomestico non funziona abbastanza/ "HH" è acceso**
 - Il coperchio dell'elettrodomestico è chiuso correttamente?
 - C'è uno spesso strato di ghiaccio sulle pareti interne?
 - L'elettrodomestico è esposto alla luce diretta del sole o a una fonte di calore?
 - Sono stati introdotti troppi alimenti caldi nell'elettrodomestico?
 - La classe climatica si trova sulla targhetta di classificazione nella parte posteriore dell'elettrodomestico. Specifica le temperature ambiente alle quali l'elettrodomestico funzionerà correttamente.

Classe climatica	Temperatura ambiente
SN	da +10°C a 32°C
N	da +16°C a 32°C
ST	da +16°C a 38°C

4. **L'elettrodomestico fa rumore.**
Questo rumore viene prodotto quando il motore del compressore funziona e anche dal flusso di refrigerante nel circuito del sistema di raffreddamento. Questi rumori sono normali.
5. **La condensa si accumula sulle pareti esterne**
In determinate condizioni atmosferiche, la condensa può formarsi sulle pareti esterne dell'elettrodomestico. Questa situazione è normale e non influisce sul funzionamento dell'elettrodomestico.

SERVIZIO POST- VENDITA

1. Risolvere i difetti da soli

Se si sospetta un qualsiasi difetto, prima di contattare il servizio post-vendita autorizzato direttamente o tramite il proprio rivenditore, assicurarsi di aver osservato tutte le istruzioni e i consigli contenuti in questo manuale utente.

2. Servizio post-vendita

Consultare la scheda di garanzia allegata per i servizi post-vendita disponibili.

Per ricevere un aiuto immediato, assicuratevi di avere pronti i seguenti dati essenziali per identificare il vostro elettrodomestico:

- ✓ Marca dell'elettrodomestico
- ✓ Modello
- ✓ Numero di serie
- ✓ Problema o motivo
- ✓ Data di acquisto
- ✓ Acquistato da/fornitore

Per contattare l'assistenza tecnica, visitare il nostro sito Web: <https://corporate.haier-europe.com/en/>. Nella sezione "websites", scegli la marca del tuo prodotto e il tuo paese. Verrai reindirizzato al sito specifico dove potrai trovare il numero di telefono e il modulo per contattare l'assistenza tecnica.

GARANZIA

La garanzia minima è: 2 anni per i Paesi UE, 3 anni per la Turchia, 1 anno per il Regno Unito, 1 anno per la Russia, 3 anni per la Svezia, 2 anni per la Serbia, 5 anni per la Norvegia, 1 anno per il Marocco, 6 mesi per l'Algeria, la Tunisia nessuna garanzia legale richiesta.

DISPONIBILITA' DEI RICAMBI

Termostati, sensori di temperatura, schede a circuiti stampati e sorgenti luminose sono disponibili per un periodo minimo di sette anni dall'immissione sul mercato dell'ultima unità del modello; maniglie e cerniere delle porte, vassoi e cesti sono disponibili per un periodo minimo di sette anni e guarnizioni delle porte per un periodo minimo di dieci anni dall'immissione sul mercato dell'ultima unità del modello;

PRECAUZIONI

- Se il vostro armadietto deve essere scartato, è necessario rimuovere la porta e lasciare i ripiani in posizione. Questo ridurrà la possibilità di pericolo per i bambini. E l'isolante in schiuma infiammabile deve essere smaltito da professionisti.

SUGGERIMENTI PER IL RISPARMIO ENERGETICO

- Dopo che l'elettrodomestico è stato messo in funzione per un certo tempo, sulle pareti interne si formerà uno strato di brina o di ghiaccio. Questo aumenta il consumo di energia. Per risparmiare energia e mantenere le migliori prestazioni, si prega di scongelare il congelatore regolarmente. Fare riferimento al capitolo delle istruzioni per l'utente "Sbrinamento".

DICHIARAZIONE DI CONFORMITÀ

Il produttore del prodotto/dei prodotti qui descritti, ai quali si riferisce la presente descrizione, dichiara sotto la sua esclusiva responsabilità che il prodotto/i prodotti soddisfano i requisiti fondamentali di sicurezza, salute e protezione del Regno Unito e dell'UE in materia e che i relativi rapporti di prova sono disponibili per l'esame da parte delle autorità competenti e possono essere richiesti al venditore dell'elettrodomestico, in particolare per quanto riguarda la dichiarazione CE di Conformità rilasciata dal produttore o con l'approvazione del produttore.

Inoltre, il produttore dichiara che le parti dell'elettrodomestico descritte in questo manuale utente, che vengono a contatto con alimenti freschi, non contengono sostanze tossiche.


Il produttore lavora costantemente all'ulteriore sviluppo di tutti i prodotti. Si consiglia pertanto di tenerlo presente in quanto la forma, l'allestimento e la tecnologia sono soggetti a modifiche, senza preavviso.

Per ulteriori informazioni sul prodotto, consultare <https://eprel.ec.europa.eu/> o eseguire la scansione del QR sull'etichetta energetica fornita con l'apparecchio.

LOW FROST

Grazie alla modalità Low Frost, nel congelatore entra aria asciutta e la formazione di ghiaccio è quindi ridotta.

PRECAUCIONES

- Este aparato pueden utilizarlo niños/as a partir de 8 años de edad y personas con facultades físicas, sensoriales o mentales reducidas, o con falta de experiencia y conocimiento, si lo emplean bajo supervisión o se les instruye acerca de los aspectos de seguridad del producto y entienden los riesgos que comporta.
- Los niños no deben jugar con el electrodoméstico.
- Los niños no deben limpiar ni mantener el producto sin supervisión.
- El aparato debe estar colocado de forma que el enchufe quede accesible.
- Para evitar riesgos, el fabricante, su representante de servicio o cualquier otra persona cualificada deben cambiar los cables de alimentación que estén dañados.
- **ADVERTENCIA:** Mantenga despejadas las ranuras de ventilación de la carcasa del electrodoméstico o de la estructura integrada.
- **ADVERTENCIA:** No utilice aparatos mecánicos ni otros medios para acelerar el proceso de descongelación y siga las recomendaciones del fabricante.
- **ADVERTENCIA:** No dañe el circuito de refrigerante.
- **ADVERTENCIA:** No utilice aparatos eléctricos dentro de los compartimentos para la conservación de alimentos del electrodoméstico, a menos que sean del tipo que recomienda el fabricante.
- Por favor, póngase en contacto con el agente de servicio para deshacerse del aparato porque se utilizó el gas de soplado inflamable.
- Para evitar riesgos, el fabricante, su representante de servicio o cualquier otra persona cualificada deben cambiar las luces que estén dañadas.
- No almacene en este electrodoméstico sustancias explosivas como latas de aerosol con un propelente inflamable.
- Arcón congelador adecuado para su uso en habitaciones sin calefacción y fuera del edificio a no menos de -15°C.
- Dado que se utilizan líquidos de refrigeración inflamables, manipule y realice el mantenimiento del electrodoméstico de acuerdo con las instrucciones y póngase en contacto con un profesional o con nuestro servicio de posventa para proceder a su retirada.
- Un interruptor está incorporado en los aparatos equipados con iluminación. Cuando se abre el electrodoméstico la luz se enciende automáticamente y se apaga automáticamente cuando se cierra (no se suministra en todos los modelos).
- Las normas exigen que el electrodoméstico esté conectado a tierra.
- La aparición del símbolo  en el producto o en su envase indica que no puede tratarse como residuo doméstico. Debe llevarse a un punto de recogida de residuos adecuado para reciclaje de aparatos eléctricos y electrónicos. Al asegurarse de desechar este electrodoméstico de forma correcta, estará contribuyendo a evitar las posibles consecuencias negativas para el medio ambiente y la salud humana que, de lo contrario, ocasionaría el tratamiento inadecuado de los residuos de este producto. Para obtener información detallada sobre el reciclaje de este producto, póngase en contacto con el servicio de recogida de basuras municipal o el establecimiento donde lo adquirió.
- **ADVERTENCIA:** Al colocar el electrodoméstico en su sitio, asegúrese de que el cable de alimentación no esté pinzado ni dañado.
- **ADVERTENCIA:** No coloque tomas de corriente múltiples portátiles o fuentes de alimentación portátiles en la parte posterior del electrodoméstico.
- Los niños de 3 a 8 años de edad solo pueden ayudar a cargar y descargar los productos del congelador.
- Este electrodoméstico está diseñado para su uso en el hogar y en aplicaciones parecidas, como:
 - zonas de cocina para empleados en negocios, oficinas y otros entornos laborales;
 - granjas y por clientes de hoteles, moteles y otros establecimientos de tipo residencial;
 - otros establecimientos de hospedaje;
 - cáterings y otras aplicaciones similares no minoristas.
- Para evitar la contaminación de los alimentos, siga las siguientes instrucciones:
 - Abrir la puerta durante un tiempo prolongado puede provocar un aumento significativo de la temperatura en los compartimentos del electrodoméstico.
 - Limpie regularmente las superficies que puedan entrar en contacto con alimentos y sistemas de vaciado accesibles.
 - Guarde la carne y el pescado crudos en recipientes adecuados en el congelador para evitar que entren en contacto con otros alimentos o goteen sobre ellos.
 - Para evitar la aparición de moho, el congelador se debe apagar, descongelar, limpiar y secar, además de dejar la puerta abierta, cuando vaya a permanecer vacío durante largos periodos de tiempo.
- Para garantizar la conservación segura de los alimentos, los alimentos instantáneos y la carne y el pescado crudos se guardarán por separado.
- Este aparato no está destinado a utilizarse como aparato encastrable.

ESQUEMAS

FIG. 1

- A Tapa
- B Junta
- C Luz interior (Si está disponible)
- D Armario
- E Compartimiento de almacenamiento
- F Rejilla de ventilación
- G Panel de control
- H Cesta
- I Cámara de compresor
- J Compresor
- K Ventilador (si está disponible)
- L Condensador trasero (si está disponible)
- M Tapón de drenaje de agua de descongelación

ANTES DEL USO

- Este aparato está destinado estrictamente para uso doméstico, para almacenar alimentos solamente.
- Si el aparato desembalado está dañado, póngase en contacto con su distribuidor.
- El suministro de electricidad de la red debe ajustarse a la placa de características del electrodoméstico.

INSTALACIÓN

- Desembalar completamente el aparato. Asegúrese de que todos los materiales de embalaje se retiren y se eliminen adecuadamente antes de la instalación y se mantengan fuera del alcance de los niños.
- El aparato debe instalarse en una habitación seca y bien ventilada, y no debe exponerse a la luz solar directa ni colocarse cerca de una fuente de calor.
- Deje al menos 10 cm entre el aparato y los alrededores para la ventilación y la disipación del calor.
- El suministro de electricidad debe ajustarse a lo especificado en la placa de características y seguir las normas locales.
- Se recomienda esperar al menos dos horas antes de enchufar el aparato después de la instalación. Esto ayuda a que el circuito de refrigerante se estabilice.

Instale el aparato en un lugar donde la temperatura ambiente corresponda a la clase climática indicada en la placa de características del aparato:

Energieklasse	Umgebungstemperatur
SN	t 10 °C bis 32 °C
N	t 16 °C bis 32 °C
ST	t 16 °C bis 38 °C

PUESTA EN MARCHA

1. Inserte el enchufe en la toma de corriente. Todos los indicadores se encienden y se apagan. Y luego se muestra la temperatura.
2. Deje pasar una hora para que la temperatura dentro del aparato baje y luego coloque los alimentos dentro del aparato

PROGRAMACIÓN DE LA TEMPERATURA

Presione (2) para ajustar la temperatura.

Se sugiere ajustar la temperatura a -18°C.

AJUSTE DE FUNCIONES (Si está disponible)

Presione (1) hasta que (4) se ilumine para activar la función de súper congelación.

La función Fast Freeze se apagará automáticamente después de 71 horas para ahorrar energía.

El consumo de energía aumentará cuando esta función esté activada. Durante la función Fast Freeze, la temperatura en el congelador será de -26 ° C

Presione (3) durante 3 segundos para bloquear/desbloquear el panel de control.

CONGELACIÓN DE ALIMENTOS

- Envuelva o selle los alimentos en papel de aluminio, contenedores herméticos o bolsas de almacenamiento de alimentos antes de congelarlos.
- La comida caliente debe enfriarse antes de introducirla en el electrodoméstico.
- Una porción más pequeña de comida se congelará más rápido. El peso máximo recomendado de la porción es de 2,5 kg.
- Evite poner alimentos calientes directamente en contacto con alimentos ya congelados. Los alimentos congelados podrían descongelarse y no durar más que el tiempo de almacenamiento previsto.
- La capacidad del aparato, tal como se indica en la placa de características, no debe excederse.
- Cuando se llene el aparato con mayores cantidades de alimentos frescos, se recomienda activar la función de súper congelación (si está disponible) con 53 horas de antelación.
- El tiempo de almacenamiento de los productos ultracongelados comprados varía y depende del tipo de producto y su embalaje. Por lo tanto, observe estrictamente las instrucciones del productor/fabricante en el envase.

LIMPIEZA Y MANTENIMIENTO

- Asegúrese siempre de que la fuente de alimentación esté desconectada antes de realizar cualquier tipo de mantenimiento o limpieza del aparato.
- Si pone el aparato fuera de uso por un periodo prolongado, déjelo abierto para evitar que se acumulen en su interior olores desagradables.
- Para garantizar una conservación segura de los alimentos, siga estas instrucciones de uso y limpie el congelador con regularidad. A continuación se dan los detalles.

- Limpie el interior del congelador al menos una vez al año. Use agua caliente y una solución de bicarbonato de sodio (alrededor de una cucharada de bicarbonato de sodio por un litro de agua). Enjuague bien con agua y seque. No utilice limpiadores en polvo u otros limpiadores abrasivos. No lave las partes desmontables en el lavavajillas.
- No utilice productos químicos fuertes, abrasivos, amoníaco, lejía de cloro, detergentes concentrados, disolventes o estropajos metálicos. Algunos de estos productos químicos pueden disolverse, dañar y/o decolorar el congelador.
- Nunca utilice estropajos metálicos, cepillos, soluciones abrasivas, limpiadoras o alcalinas en ninguna superficie.
- Limpie la junta de la puerta cada tres meses de acuerdo con las instrucciones de limpieza del interior. Las juntas deben mantenerse limpias y flexibles para asegurar un sellado adecuado. Para puntos como juntas, ranuras, orificios, etc., se pueden utilizar simples utensilios de limpieza como cepillos suaves. Si es necesario, los estantes, bandejas, cajones y accesorios similares desmontables se pueden retirar del electrodoméstico y lavar en el fregadero.

DESCONGELACIÓN

El aparato debe ser descongelado una vez que el grosor del hielo en las paredes alcance los 5-6 mm. No utilice ningún objeto eléctrico, afilado o mecánico para ayudar el proceso de eliminación del hielo, a menos que sea suministrado o aprobado por el fabricante o el centro de servicio autorizado.

Para quitar el hielo de las paredes internas, use un raspador de plástico o madera sin bordes afilados. Nunca use un raspador de metal.

Proceda de la siguiente manera:

1. Asegúrese de desenchufar el aparato.
2. Séquese bien las manos para evitar daños en la piel por contacto con el hielo (se aconseja usar guantes).
3. Retire todos los alimentos congelados del aparato, colóquelos en un contenedor, caja de frío, ponga los bloques de hielo congelados encima de los alimentos congelados para ayudar a mantenerlos muy fríos, y coloque el contenedor o caja de frío en una habitación fresca y seca.
4. Saque el tapón de vaciado de agua (si está disponible) situado en la parte inferior del aparato. De lo contrario, debe limpiar el agua derretida en el fondo del compartimento del aparato con una esponja o una toalla.
5. Raspe el hielo con cuidado del interior del aparato y póngalo en el fregadero de su cocina, para descongelarlo.
6. Limpie a fondo el interior del compartimento del electrodoméstico, enjuague con agua tibia y retire cualquier alimento o líquido derramado.

7. Limpie el aparato con un paño absorbente o una esponja para secarlo bien y deje que se ventile durante unos 3 ó 4 minutos.
8. Reemplazar el tapón de vaciado (si está disponible).
9. Cierre la puerta del aparato, vuelva a colocar el enchufe en la toma y encienda el aparato.
10. Ahora rellene la comida congelada.

Para evitar que los alimentos congelados se descongelen, lleve a cabo el procedimiento de descongelación en un máximo de dos horas para reducir el aumento significativo de la temperatura de los alimentos congelados que acortaría la vida de almacenamiento.

RESOLUCIÓN DE PROBLEMAS

1. **¿La puerta se abre con dificultad?**
Después de cerrar la puerta puede ser difícil abrirla de nuevo por unos minutos. Esto es normal y significa que la junta de la puerta funciona correctamente. Sólo espera unos minutos y podrás abrir la puerta fácilmente.
2. **No funciona (el aparato no funciona/no se enfría)**
 - ¿Hay un fallo de energía?
 - ¿El enchufe está en buen estado y correctamente conectado a la toma?
3. **El aparato que no funciona suficientemente/ "HH" está encendido**
 - ¿La tapa del aparato está bien cerrada?
 - ¿Hay una fuerte formación de hielo en las paredes internas?
 - ¿El aparato está expuesto a la luz solar directa o a una fuente de calor?
 - ¿Se han puesto demasiados alimentos calientes en el aparato?
 - La clase climática se encuentra en la etiqueta de clasificación en la parte posterior del aparato. Especifica las temperaturas ambientales a las que el aparato funcionará correctamente.

Clase climática	Temperatura ambiente
SN	de +10°C a 32°C
N	de +16°C a 32°C
ST	de +16°C a 38°C

4. **El electrodoméstico hace ruido.**
Este ruido se produce cuando el motor del compresor funciona y también por el refrigerante que fluye en el circuito del sistema de refrigeración. Estos ruidos son normales.
5. **La condensación se acumula en las paredes externas**
Bajo ciertas condiciones atmosféricas, la condensación se puede formar en las paredes externas del aparato. Esto es normal y no afectará a la función del aparato.

SERVICIO POSVENTA

1. Resolver los fallos por sí mismo

Si sospecha que existe algún fallo, antes de ponerse en contacto con el servicio posventa autorizado directamente o a través de su distribuidor, asegúrese de que ha observado todas las instrucciones y consejos de este manual de usuario.

2. Servicio posventa

Consulte la tarjeta de garantía adjunta para conocer los servicios posventa disponibles.

Para recibir ayuda inmediata, asegúrese de tener listos los siguientes datos esenciales para identificar su aparato:

- ✓ Marca del electrodoméstico
- ✓ Modelo
- ✓ Número de serie
- ✓ El problema o la razón
- ✓ Fecha de compra
- ✓ Comprado a/proveedor

Para ponerse en contacto con la asistencia técnica, visite nuestro sitio web: <https://corporate.haier-europe.com/en/>. En la sección "websites", elija la marca de su producto y su país. Serás redirigido al sitio web específico donde podrás encontrar el número de teléfono y el formulario para contactar con la asistencia técnica.

DISPONIBILIDAD DE REPUESTOS

Termostatos, sensores de temperatura, placas de circuitos impresos y fuentes luminosas, durante un período de, como mínimo, siete años tras la introducción en el mercado de la última unidad del modelo.

Mangos de puerta, bisagras, bandejas y cestos, durante un período de, como mínimo, siete años, y juntas de puerta durante un período de, como mínimo, diez años tras la introducción en el mercado de la última unidad del modelo;

GARANTÍA

La garantía mínima es: 2 años para los países de la UE, 3 años para Turquía, 1 año para el Reino Unido, 1 año para Rusia, 3 años para Suecia, 2 años para Serbia, 5 años para Noruega, 1 año para Marruecos y 6 meses para Argelia. En Túnez no se requiere garantía legal."

PRECAUCIONES

- Si se va a desechar su armario, debe quitar la puerta y dejar los estantes en su lugar. Esto reducirá la posibilidad de peligro para los niños. Y la espuma inflamable debe ser eliminada por profesionales.

CONSEJOS PARA AHORRAR ENERGÍA

- Después de que el aparato haya estado en funcionamiento durante algún tiempo, se formará una capa de escarcha o hielo en las paredes interiores. Esto aumenta el consumo de energía. Para ahorrar energía y mantener el mejor rendimiento, por favor, descongele el congelador regularmente. Consulte el capítulo de instrucciones del usuario "Descongelación".

DECLARACIÓN DE CONFORMIDAD

El fabricante del producto/productos descritos en el presente documento, al que se refiere esta descripción, declara bajo su exclusiva responsabilidad que el producto/productos cumplen los requisitos fundamentales de seguridad, salud y protección del requisito pertinente del Reino Unido y la UE, y que los informes de prueba correspondientes están disponibles para su examen por las autoridades pertinentes y pueden solicitarse al vendedor del aparato, especialmente en lo que respecta a la Declaración CE de Conformidad emitida por el fabricante o con la aprobación del fabricante.

Además, el fabricante declara que las partes del aparato descritas en este manual de instrucciones que entran en contacto con alimentos frescos no contienen ninguna sustancia tóxica.


El fabricante trabaja constantemente en el desarrollo de todos los productos. Por lo tanto, tenga esto en cuenta ya que la forma, la configuración y la tecnología están sujetas a cambios, sin previo aviso.

Para más información sobre el producto, consulte <https://eprel.ec.europa.eu/> o escanee el QR en la etiqueta energética suministrada con el aparato.

LOW FROST

Gracias al módulo Low Frost, el aire seco entra en el interior para garantizar que se reduzca la formación de hielo.

SICHERHEITSVORKEHRUNGEN

- Dieses Gerät darf von Kindern ab 8 Jahren und Personen mit eingeschränkten körperlichen, sensorischen oder geistigen Fähigkeiten oder ohne Erfahrung und Wissen dann verwendet werden, wenn sie beaufsichtigt werden oder Anweisungen für den sicheren Gebrauch des Geräts erhalten und die damit verbundenen Gefahren verstanden haben.
- Kinder dürfen keinesfalls mit dem Gerät spielen.
- Kinder dürfen das Gerät nur unter Beaufsichtigung reinigen und instandhalten.
- Das Gerät muss so aufgestellt werden, dass der Stecker zugänglich ist..
- Ein beschädigtes Netzkabel muss vom Hersteller, dem zugelassenen Kundendienst oder ähnlichem Fachpersonal ausgewechselt werden, um Gefahren vorzubeugen.
- **WARNUNG:** Halten Sie die Lüftungsöffnungen im Gehäuse des Geräts oder der Einbaustruktur frei von Verstopfungen.
- **WARNUNG:** Benutzen Sie außer den vom Hersteller empfohlenen Mitteln keine mechanischen Geräte oder andere Hilfsmittel, um den Abtauvorgang zu beschleunigen.
- **WARNUNG:** Beschädigen Sie keinesfalls den Kühlkreislauf.
- **WARNUNG:** Benutzen Sie keine elektrischen Vorrichtungen in den Lebensmittel-Lagerfächern des Geräts, sofern diese nicht ausdrücklich vom Hersteller empfohlen wurden.
- Bitte wenden Sie sich an den Kundendienst, um das Gerät zu entsorgen, da brennbares Treibgas verwendet wurde.
- Wenn die Beleuchtungslampen beschädigt sind, müssen sie vom Hersteller, seinem Servicevertreter oder ähnlichem Fachpersonal ersetzt werden, um eine Gefährdung zu vermeiden.
- Lagern Sie in diesem Gerät keine explosiven Stoffe wie z.B. Aerosoldosen mit einem brennbaren Treibmittel.
- Gefrierschrank für den Einsatz in unbeheizten Räumen und außerhalb des Gebäudes bis -15 °C.
- Da brennbare Kältemittel verwendet werden, installieren, behandeln und warten Sie das Gerät bitte strikt nach den Anweisungen. Wenden Sie sich an den Fachhändler oder unseren Kundendienst, um das Gerät zu entsorgen.
- Ein Schalter ist in Geräte eingebaut, die mit Beleuchtung ausgestattet sind. Beim Öffnen des Geräts leuchtet das Licht automatisch auf und schaltet sich automatisch aus, wenn es geschlossen wird (nicht bei allen Modellen vorhanden).
- Vorschriften verlangen, dass das Gerät geerdet ist.
- Das Symbol  auf dem Produkt oder seiner Verpackung weist darauf hin, dass dieses Produkt nicht als Haushaltsabfall behandelt werden darf. Bringen Sie es stattdessen zu einer dafür vorgesehenen Sammelstelle für die Wiederaufbereitung von Elektro- und Elektronikartikeln. Durch Sicherstellung einer ordnungsgemäßen Entsorgung dieses Produktes tragen Sie dazu bei, mögliche negative Folgen für die Umwelt und die menschliche Gesundheit zu vermeiden, die andernfalls durch unangemessenen Umgang mit diesem Produkt verursacht werden könnten. Weitergehende Informationen zur Behandlung, Rückgewinnung und Wiederaufbereitung erhalten Sie bei den zuständigen Behörden, dem Abfallbeseitigungsdienstleister oder der Verkaufsstelle.
- **WARNUNG:** Achten Sie bei der Positionierung des Gerätes darauf, dass das Netzkabel nicht eingeklemmt oder beschädigt ist.
- **WARNUNG:** Es dürfen keine Mehrfachsteckdosen oder tragbare Netzteile auf der Rückseite des Geräts positioniert werden.
- Kinder im Alter von 3 bis 8 Jahren dürfen Kühlgeräte be- und entladen.
- Dieses Gerät ist für den Einsatz im Haushalt und ähnliche Anwendungen vorgesehen, wie z.B.:
 - Personalküche in Geschäften, Büros und anderen Arbeitsumgebungen;
 - Bauernhäuser und von Kunden in Hotels, Motels sowie anderen Wohnräumen;
 - Bed & Breakfast;
 - Catering und ähnliche Anwendungen außerhalb des Einzelhandels.
- Um eine Kontamination von Lebensmitteln zu vermeiden, beachten Sie bitte die folgenden Anweisungen:
 - Ein längeres Öffnen der Tür kann zu einem deutlichen Temperaturanstieg in den Fächern des Gerätes führen.
 - Reinigen Sie regelmäßig Oberflächen, die mit Lebensmitteln in Berührung kommen können, sowie zugängliche Drainagesysteme.
 - Bewahren Sie rohes Fleisch und Fisch in geeigneten Behältern im Gefrierschrank auf, so dass es nicht mit anderen Lebensmitteln in Berührung kommt oder auf diese tropft.
 - Falls das Kühlgerät über einen längeren Zeitraum leer bleibt, schalten Sie es aus, tauen es ab, reinigen und trocknen es, und lassen dann die Tür offen, um Schimmelbildung im Gerät zu vermeiden.
- Um die sichere Lagerung von Lebensmitteln zu gewährleisten, müssen Fertiggerichte und rohes Fleisch/Fisch getrennt gelagert werden.
- Dieses Kühlgerät ist nicht für die Verwendung als Einbaugerät bestimmt.

DIAGRAMME

Abb.1

- A Deckel
- B Dichtung
- C Innenbeleuchtung (falls vorhanden)
- D Schrank
- E Ablagefach
- F Lüftungsgitter
- G Bedienfeld
- H Warenkorb
- I Kompressorkammer
- J Kompressor
- K Gebläse (falls vorhanden)
- L Bock-Kondensator (falls vorhanden)
- M Ablassschraube für Abtauwasser

VOR DER VERWENDUNG

- Dieses Gerät ist ausschließlich für den Gebrauch im Haushalt und nur zur Aufbewahrung von Lebensmitteln bestimmt.
- Bitte wenden Sie sich an Ihren Händler, wenn das ausgepackte Gerät beschädigt ist.
- Die Netzstromversorgung muss dem Typenschild des Gerätes entsprechen.

MONTAGE

- Packen Sie das Gerät vollständig aus. Bitte stellen Sie sicher, dass vor der Installation alle Verpackungsmaterialien entfernt, entsorgt oder außerhalb der Reichweite von Kindern aufbewahrt werden.
- Das Gerät muss in einem trockenen, gut belüfteten Raum aufgestellt werden, darf nicht direktem Sonnenlicht ausgesetzt und nicht in der Nähe einer Wärmequelle aufgestellt werden.
- Lassen Sie zur Belüftung und Wärmeabfuhr zwischen Gerät und Umgebung mindestens 10 cm Platz.
- Die Stromversorgung muss den Angaben auf dem Typenschild sowie den örtlichen Vorschriften entsprechen.
- Es wird empfohlen, nach der Installation mindestens zwei Stunden zu warten, bevor Sie das Gerät anschließen. Dies trägt zur Stabilisierung des Kältemittelkreislaufs bei.

Stellen Sie das Gerät an einem Ort auf, an dem die Umgebungstemperatur der auf dem Typenschild des Geräts angegebenen Klimaklasse entspricht:

Energieklasse	Umgebungstemperatur
SN	t 10 °C bis 32 °C
N	t 16 °C bis 32 °C
ST	t 16 °C bis 38 °C

INBETRIEBNAHME

1. Stecken Sie den Stecker in die Buchse. Alle Anzeigen leuchten und schalten sich aus. Dann wird die Temperatur angezeigt.

2. Warten Sie eine Stunde lang, bis die Temperatur im Gerät abgesunken ist. Legen Sie dann Lebensmittel in das Gerät.

TEMPERATUREINSTELLUNG

Drücken Sie (2) zum Einstellen der Temperatur.

Es wird empfohlen, die Temperatur auf -18 °C einzustellen.

FUNKTIONSEINSTELLUNG

(falls vorhanden)

Drücken Sie (1), bis (4) leuchtet, um die Super Freeze-Funktion zu aktivieren.

Die Fast Freeze-Funktion wird nach 71 Stunden automatisch ausgeschaltet, um Energie zu sparen.

Der Energieverbrauch steigt, wenn diese Funktion aktiviert ist. Während der Fast Freeze-Funktion beträgt die Temperatur im Gefrierschrank -26 °C.

Drücken Sie (3) 3 Sekunden lang, um das Bedienfeld zu sperren / zu entsperren.

EINFRIEREN VON LEBENSMITTELN

- Verpacken oder versiegeln Sie Lebensmittel vor dem Einfrieren in Aluminiumfolie oder luftdichte Behälter.
- Lassen Sie heiße Speisen abkühlen, bevor Sie sie in das Gerät legen.
- Kleinere Lebensmittelportionen werden schneller eingefroren. Das empfohlene maximale Portionsgewicht beträgt 2,5 kg.
- Vermeiden Sie es, warme Lebensmittel direkt mit bereits gefrorenen Lebensmitteln in Kontakt zu bringen. Tiefkühlkost kann dann auftauen und würde dann die vorgesehene Lagerzeit nicht überdauern.
- Das Fassungsvermögen des Gerätes gemäß Typenschild darf nicht überschritten werden.
- Beim Befüllen des Geräts mit größeren Mengen an frischen Lebensmitteln wird empfohlen, 53 Stunden im Voraus die Super Freeze-Funktion (falls verfügbar) einzuschalten.
- Die Lagerzeit für Tiefkühlprodukte variiert und hängt von der Art des Produkts und seiner Verpackung ab. Beachten Sie daher unbedingt die Anweisungen des Produzenten/Herstellers auf der Verpackung.

REINIGUNG UND INSTANDHALTUNG

- Die Stromversorgung muss stets ausgeschaltet sein, bevor Sie das Gerät warten oder reinigen.
- Wenn Sie Ihr Gerät über längere Zeit nicht benutzen, lassen Sie es offenstehen, um zu verhindern, dass sich im Inneren unangenehme Gerüche bilden.
- Um die Konservierung von Lebensmitteln zu gewährleisten, befolgen Sie bitte diese Gebrauchsanweisung und reinigen den Gefrierschrank regelmäßig. Details siehe unten.
- Reinigen Sie das Innere Ihres Gefrierschranks mindestens einmal pro Jahr. Dazu warmes Wasser und Natronlösung verwenden (etwa ein Esslöffel Natron auf 1 Liter/Quart Wasser). Gründlich mit Wasser abspülen und trocken wischen. Verwenden Sie keine Reinigungspulver oder andere scheuernde Reinigungsmittel. Waschen Sie herausnehmbare Teile nicht in der Spülmaschine.

- Keine scharfen Chemikalien, Schleifmittel, Ammoniak, Chlorbleichmittel, konzentrierte Reinigungsmittel, Lösungsmittel oder Metallspülkissen verwenden. Einige dieser Chemikalien können sich auflösen, Ihren Gefrierschrank beschädigen und/oder verfärben.
- Oberflächen niemals mit metallischen Scheuerpads, Bürsten, Schleifmitteln, Reinigungsmitteln oder alkalischen Lösungen reinigen.
- Die Türdichtung alle drei Monate gemäß den Herstelleranweisungen reinigen. Dichtungen müssen sauber und elastisch gehalten werden, damit eine ordnungsgemäße Abdichtung gegeben ist. Für Positionen wie Nähte, Schlitze, Löcher usw. können einfache Werkzeuge zum Reinigen verwendet werden, wie z.B. weiche Bürsten. Bei Bedarf können abnehmbare Regale, Tablett, Schubladen und ähnliches Zubehör aus dem Gerät entnommen und im Spülbecken gereinigt werden.

ENTFROSTEN

Das Gerät sollte abgetaut werden, sobald die Dicke des Eises an den Wänden 5-6 mm erreicht.

Das Abtauen niemals mit elektrischen, scharfen oder mechanischen Gegenständen beschleunigen, es sei denn, es wird vom Hersteller oder einem zugelassenen Kundendienst durchgeführt oder genehmigt.

Zum Entfernen von Eis von den Innenwänden einen Kunststoff- oder Holzschaber ohne scharfe Kanten verwenden. Niemals Metallschaber verwenden.

Gehen Sie wie folgt vor:

1. Ziehen Sie unbedingt den Netzstecker.
2. Trocknen Sie Ihre Hände gründlich, um Hautschäden durch Kontakt mit Eis zu vermeiden (es wird empfohlen, Handschuhe anzuziehen).
3. Nehmen Sie alle gefrorenen Lebensmittel aus dem Gerät und legen Sie sie in einen Behälter oder eine Kühlbox. Legen Sie gefrorene Kühlblöcke auf die gefrorenen Lebensmittel, um sie sehr kalt zu halten, und stellen Sie den Behälter oder die Kühlbox in einen kühlen, trockenen Raum.
4. Ziehen Sie die Wasserablassschraube (falls vorhanden) an der Geräteunterseite heraus. Andernfalls müssen Sie das Abtauwasser am Boden des Gerätefachs mit einem Schwamm oder einem Handtuch abwischen.
5. Kratzen Sie das Eis vorsichtig aus dem Inneren des Geräts und legen Sie es zum Auftauen in ein Spülbecken.
6. Reinigen Sie das Innere des Gerätelagerfachs gründlich, spülen Sie es mit warmem Wasser aus und entfernen Sie verschüttete Lebensmittel bzw. Flüssigkeiten.

7. Wischen Sie das Gerät mit einem saugfähigen Tuch oder Schwamm gründlich ab und lassen Sie es ca. 3 bis 4 Minuten auslüften.
8. Stecken Sie die Ablassschraube (falls vorhanden) wieder ein.
9. Schließen Sie die Gerätetür, stecken Sie den Stecker in die Steckdose und schalten Sie das Gerät ein.
10. Legen Sie nun die gefrorenen Lebensmittel wieder in das Gerät.

Um ein Auftauen gefrorener Lebensmittel zu verhindern, sollte der Abtauvorgang nicht länger als zwei Stunden dauern, um einen signifikanten Temperaturanstieg der gefrorenen Lebensmittel zu vermeiden, der die Haltbarkeit verkürzen würde.

FEHLERBEHEBUNG

1. Die Tür lässt sich schwer öffnen.

Nach dem Schließen der Tür kann es schwierig sein, diese einige Minuten lang wieder zu öffnen. Dies ist normal und bedeutet, dass die Türdichtung ordnungsgemäß funktioniert. Warten Sie ein paar Minuten lang. Danach lässt sich die Tür leichter öffnen.

2. Kein Betrieb (Gerät läuft nicht / wird nicht kalt)

- Stromausfall?
- Ist der Stecker in gutem Zustand und richtig in die Steckdose eingesteckt?

3. Gerät funktioniert nicht ausreichend/ "HH" ist eingeschaltet

- ist der Deckel des Gerätes ordnungsgemäß geschlossen?
- Gibt es starke Eisbildung an den Innenwänden?
- Ist das Gerät direkter Sonneneinstrahlung oder einer Wärmequelle ausgesetzt?
- Wurden zu viele warme Speisen in das Gerät gegeben?
- Die Klimaklasse ist auf dem Typenschild auf der Geräterückseite angegeben. Es gibt die Umgebungstemperaturen an, bei denen das Gerät richtig funktioniert.

Klimaklasse	Umgebungstemperatur
SN	+10 °C bis 32 °C
N	+16 °C bis 32 °C
ST	+16 °C bis 38 °C

4. Das Gerät macht Geräusche.

Dieses Geräusch entsteht beim Laufen des Motors im Verdichter und auch durch im Kühlkreislauf strömendes Kältemittel. Diese Geräusche sind normal.

5. An den Außenwänden bildet sich Kondenswasser.

Unter bestimmten atmosphärischen Bedingungen kann Kondenswasser an den Außenwänden des Geräts entstehen. Dies ist normal und beeinträchtigt die Gerätefunktion nicht.

KUNDENDIENST

1. Störungen selbst beheben

Wenn Sie einen Fehler vermuten, sollten Sie sich vergewissern, dass Sie alle Anweisungen und Ratschläge in dieser Bedienungsanleitung beachtet haben, bevor Sie sich direkt oder über Ihren Händler an den zugelassenen Kundendienst wenden.

2. Kundendienst

Eine Liste mit verfügbaren Kundendienststellen entnehmen Sie bitte der beiliegenden Garantiekarte.

Zum Erhalt umgehender Hilfe sollten Sie die folgenden wichtigen Daten bereithalten, um Ihr Gerät zu identifizieren:

- ✓ Gerätemarke
- ✓ Modell
- ✓ Seriennummer
- ✓ Problem oder Grund
- ✓ Kaufdatum
- ✓ Gekauft von/Lieferant

Um die technische Unterstützung zu kontaktieren, besuchen Sie unsere Website:

<https://corporate.haier-europe.com/en/>.

Wählen Sie im Bereich „Website“ die Marke Ihres Produkts und Ihr Land aus. Sie werden auf die jeweilige Website weitergeleitet, auf der Sie die Telefonnummer und das Formular finden, um die technische Unterstützung zu kontaktieren.

VERFÜGBARKEIT VON ERSATZTEILEN

Thermostate, Temperatursensoren, Leiterplatten und Lichtquellen sind nach dem Inverkehrbringen der letzten Einheit des Modells mindestens sieben Jahre lang verfügbar. Türgriffe, Türscharniere, Tablett und Körbe für einen Zeitraum von mindestens sieben Jahren und Türdichtungen für einen Zeitraum von mindestens zehn Jahren, nachdem die letzte Einheit des Modells auf den Markt gebracht wurde.

GARANTIE

Die Mindestgarantie beträgt: 2 Jahre für EU-Länder, 3 Jahre für die Türkei, 1 Jahr für Großbritannien, 1 Jahr für Russland, 3 Jahre für Schweden, 2 Jahre für Serbien, 5 Jahre für Norwegen, 1 Jahr für Marokko, 6 Monate für Algerien. Tunesien keine gesetzliche Garantie erforderlich.

SICHERHEITSVORKEHRUNGEN

- Wenn Ihr Schrank entsorgt werden soll, müssen Sie die Tür abbauen und die Regale an Ort und Stelle lassen. Dies verringert die Gefahr für Kinder. Brennbarer Schaumstoff ist von Fachleuten zu entsorgen.

ENERGIESPARTIPPS

- Nach längerem Gerätebetrieb bildet sich an den Innenwänden eine Frost- oder Eisschicht. Dies erhöht den Energieverbrauch. Um Energie zu sparen und die beste Leistung aufrechtzuerhalten, sollte der Gefrierschrank regelmäßig abgetaut werden. Siehe Bedienungsanleitung, Kapitel „Abtauen“.

KONFORMITÄTSERKLÄRUNG

Der Hersteller des/der hier beschriebenen Produkts/Produkte, auf das/die sich diese Beschreibung bezieht, erklärt in Eigenverantwortung, dass das/die Produkt/e die einschlägigen grundlegenden Sicherheits-, Gesundheits- und Schutzanforderungen einschlägiger britischer und EU-Anforderungen erfüllt/erfüllen, die entsprechenden Testberichte den zuständigen Behörden zur Prüfung zur Verfügung stehen und vom Verkäufer des Geräts angefordert werden können, insbesondere im Hinblick *auf die* vom Hersteller ausgestellte CE-Konformitätserklärung bzw. mit Genehmigung des Herstellers.


Darüber hinaus erklärt der Hersteller, dass die in dieser Gebrauchsanweisung beschriebenen Teile des Gerätes, die mit frischen Lebensmitteln in Berührung kommen, keine toxischen Substanzen enthalten.

Der Hersteller arbeitet ständig an der Weiterentwicklung aller Produkte. Bitte beachten Sie dies, da sich Form, Konfiguration und Technologie ohne vorherige Ankündigung ändern können.

LOW FROST

Dank des Low-Frost-Moduls gelangt trockene Luft in den Schrank, sodass die Eisbildung reduziert wird.

PRÉCAUTIONS

- Cet appareil peut être utilisé par des enfants âgés de 8 ans et plus et des personnes dont les capacités physiques, sensorielles ou mentales sont réduites, ou des personnes dénuées d'expérience et de connaissances, s'ils ont fait l'objet d'une surveillance et s'ils ont été informés de la manière d'utiliser l'appareil en toute sécurité et comprennent les risques impliqués.
- Les enfants ne doivent pas jouer avec l'appareil.
- L'entretien et le nettoyage ne doivent pas être effectués par des enfants sans surveillance.
- L'appareil doit être placé de manière à ce que la prise soit accessible.
- Si le câble d'alimentation est endommagé, il doit être remplacé par le fabricant, son agent d'entretien ou des personnes dotées du même type de qualification, afin d'éviter tout risque.
- **AVERTISSEMENT** : N'obstruez pas les orifices d'aération de l'appareil ou de la structure à laquelle il est intégré.
- **AVERTISSEMENT** : N'utilisez pas d'outils mécaniques ou d'autres moyens pour accélérer le processus de dégivrage, que ceux recommandés par le fabricant.
- **AVERTISSEMENT** : N'endommagez pas le circuit réfrigérant.
- **AVERTISSEMENT** : N'utilisez pas d'appareils électriques dans les compartiments de conservation de la nourriture de l'appareil, excepté s'ils sont du type recommandé par le fabricant.
- Vu que le gaz de soufflage inflammable a été utilisé, veuillez contacter l'agent de service pour éliminer l'appareil.
- Si les lampes d'éclairage sont endommagées, elles doivent être remplacées par le fabricant, son agent de service ou des personnes ayant une qualification similaire afin d'éviter tout risque.
- Ne stockez pas de substances explosives comme des bombes aérosols dotées d'un gaz propulseur inflammable, dans l'appareil.
- Congélateur coffre pouvant être utilisé dans des pièces non chauffées et à l'extérieur du bâtiment à une température d'au moins -15°C.
- Des réfrigérants inflammables étant utilisés, veuillez installer, manipuler et entretenir l'appareil en respectant strictement ces instructions et contactez un organisme spécialisé ou notre service après-vente pour procéder à la mise au rebut de l'appareil.
- Un interrupteur est intégré dans les appareils équipés d'un éclairage. Lorsque l'appareil est ouvert, la lumière s'allume automatiquement et s'éteint automatiquement lorsqu'il est fermé (non fourni dans tous les modèles).
- La réglementation exige que l'appareil soit mis à la terre.
- Le symbole  figurant sur le produit ou sur son emballage indique que ce produit ne peut pas être traité comme un déchet ménager. Il doit plutôt être remis au point de collecte approprié pour le recyclage des équipements électriques et électroniques. En veillant à ce que ce produit soit éliminé correctement, vous aidez à prévenir d'éventuelles conséquences négatives pour l'environnement et la santé humaine, qui pourraient autrement part résulter d'une élimination inappropriée de ce produit. Pour obtenir des informations plus détaillées sur le recyclage de ce produit, veuillez contacter votre mairie, votre service d'élimination des déchets ménagers ou le magasin où vous avez acheté le produit.
- **AVERTISSEMENT** : lors de l'installation de l'appareil, veillez à ce que le cordon d'alimentation ne soit pas coincé ni endommagé.
- **AVERTISSEMENT** : Ne placez pas de multiprises ni de blocs d'alimentation à l'arrière de l'appareil.
- Les enfants âgés de 3 à 8 ans sont autorisés à charger et décharger les appareils de réfrigération.
- Cet appareil est destiné à un usage domestique et à d'autres applications similaires telles que :
 - les espaces cuisine du personnel des magasins, des bureaux et autres espaces de travail ;
 - les gîtes ruraux et par les clients des hôtels, des motels et autres environnements de type résidentiel ;
 - dans les environnements de type chambre d'hôtes ;
 - chez les traiteurs et dans les applications autres que de vente au détail similaires.
- Pour éviter toute contamination de la nourriture, veuillez respecter les consignes suivantes :
 - L'ouverture prolongée de la porte peut entraîner une hausse significative de la température dans les compartiments de l'appareil.
 - Nettoyez régulièrement les surfaces entrant en contact avec les aliments et les systèmes d'évacuation accessibles.
 - Placez la viande et le poisson crus dans des récipients adaptés avant de les mettre au congélateur, afin qu'ils n'entrent pas en contact avec d'autres aliments ou ne coulent pas dessus.
 - Si le congélateur doit rester vide pendant des périodes prolongées, mettez-le hors tension, dégivrez-le, nettoyez-le, séchez-le et laissez la porte ouverte pour éviter la formation de moisissures à l'intérieur.
- Pour assurer la bonne conservation des denrées alimentaires, les aliments instantanés et la viande/le poisson crus doivent être stockés séparément.
- Cet appareil de réfrigération n'est pas destiné à être utilisé comme un appareil intégrable

FR



LE TRI
+ FACILE



DIAGRAMMES

FIG. 1

- A Couvercle
- B Joint
- C Lumière intérieure (si disponible)
- A Armoire
- E Compartiment de stockage
- F Grille de ventilation
- G Panneau de commande
- H Panier
- I Chambre du compresseur
- J Compresseur
- K Ventilateur (si disponible)
- L Condenseur arrière (si disponible)
- M Bouchon de vidange de l'eau de dégivrage

AVANT D'UTILISER

- Cet appareil est strictement destiné à un usage domestique, pour la conservation des aliments uniquement.
- Si l'appareil déballé est endommagé, veuillez contacter votre revendeur.
- L'alimentation électrique doit être conforme à la plaque signalétique de l'appareil.

INSTALLATION

- Déballer complètement l'appareil. Veuillez vous assurer que tous les matériaux d'emballage sont enlevés et correctement éliminés avant l'installation et qu'ils sont gardés hors de portée des enfants.
- L'appareil doit être installé dans une pièce sèche et bien ventilée, ne pas être exposé à la lumière directe du soleil et ne pas être placé près d'une source de chaleur.
- Laissez au moins 10 cm entre l'appareil et son environnement pour la ventilation et la dissipation de la chaleur.
- L'alimentation en électricité doit être conforme aux indications de la plaque signalétique et respecter la réglementation locale.
- Il est recommandé d'attendre au moins deux heures avant de brancher l'appareil après son installation. Cela permet de stabiliser le circuit frigorifique.

Installez cet appareil à un endroit où la température ambiante correspond à la classe climatique indiquée sur la plaque signalétique de l'appareil.

Catégorie climatique	Température ambiante
SN	† 10 °C à 32 °C
N	† 16 °C à 32 °C
ST	† 16 °C à 38 °C

MISE EN MARCHÉ

1. Introduisez la fiche dans la prise d'alimentation. Tous les indicateurs s'allument et s'éteignent. Et puis la température est affichée.
2. Attendez une heure pour que la température à l'intérieur de l'appareil baisse et placez ensuite les aliments à l'intérieur de l'appareil

RÉGLAGE DE LA TEMPÉRATURE

Appuyez sur (2) pour régler la température.

Il est suggéré de régler la température à -18°C

RÉGLAGE DES FONCTIONS (si disponible)

Appuyez sur (1) jusqu'à ce que (4) s'allume pour activer la fonction Super Freeze.

La fonction Fast Freeze sera automatiquement désactivée après 71 heures pour économiser de l'énergie. La consommation d'énergie augmentera lorsque cette fonction est activée. Pendant la fonction Fast Freeze, la température dans le congélateur sera de -26 °C

Appuyez sur (3) pendant 3 secondes pour verrouiller/déverrouiller le panneau de commande.

CONGÉLATION DES ALIMENTS

- Enveloppez ou scellez les aliments dans du papier d'aluminium, des récipients hermétiques ou des sacs de conservation avant de les congeler.
- Laissez les aliments chauds refroidir avant de les placer dans l'appareil.
- De plus petites portions de nourriture seront plus rapidement congelées. Le poids maximal recommandé d'une portion est de 2,5 kg.
- Évitez de mettre les aliments chauds directement en contact avec des aliments déjà congelés. Les aliments congelés peuvent décongeler et ne pas durer plus longtemps que la durée de stockage prévue.
- La capacité de l'appareil, telle qu'elle est indiquée sur la plaque signalétique, ne doit pas être dépassée.
- Lorsque l'appareil est rempli de grandes quantités d'aliments frais, il est recommandé d'activer la fonction Super Freeze (si elle est disponible) heures à l'avance.
- La durée de conservation des produits surgelés achetés varie et dépend du type de produit et de son emballage. Par conséquent, respectez strictement les instructions du producteur/des fabricants sur l'emballage.

NETTOYAGE ET ENTRETIEN

- Assurez-vous toujours que l'alimentation électrique est coupée avant d'effectuer tout entretien ou nettoyage de l'appareil.
- Si vous laissez votre appareil hors service pendant une période prolongée, laissez-le ouvert pour éviter que les mauvaises odeurs ne s'accumulent à l'intérieur.
- Pour garantir une bonne conservation des aliments, veuillez respecter ces consignes d'utilisation et nettoyez le congélateur. Les détails sont présentés ci-dessous.

- Nettoyez l'intérieur de votre congélateur au moins une fois par an. Utilisez de l'eau chaude et une solution de bicarbonate de soude - environ une cuillère à soupe de bicarbonate de soude pour un litre d'eau. Rincez abondamment à l'eau et essuyez. N'utilisez pas de poudres de nettoyage ou d'autres nettoyants abrasifs. Ne lavez pas les pièces amovibles dans le lave-vaisselle.
- N'utilisez pas de produits chimiques agressifs, d'abrasifs, d'ammoniac, de chlore, de détergents concentrés, de solvants ou de tampons à récurer en métal. Certains de ces produits chimiques peuvent dissoudre, endommager et/ou décolorer votre congélateur.
- N'utilisez jamais de tampons à récurer métalliques, de brosses, de solutions abrasives, nettoyantes ou alcalines sur aucune surface.
- Nettoyez le joint de porte tous les trois mois conformément aux instructions de nettoyage intérieur. Les joints doivent être maintenus propres et souples pour assurer une bonne étanchéité. Pour nettoyer les joints, les rainures, les trous, etc, utilisez des outils simples comme des brosses douces. Si nécessaires, le clayettes, plateaux, tiroirs et accessoires similaires amovibles peuvent être retirés de l'appareil pour être nettoyés sous un robinet.

DÉCONGÉLATION

L'appareil doit être décongelé lorsque l'épaisseur de la glace sur les parois atteint 5-6 mm. N'utilisez pas d'objets électriques, tranchants ou mécaniques pour aider au dégivrage pendant le processus d'enlèvement de la glace, sauf s'ils sont fournis ou approuvés par le fabricant ou le centre de service agréé.

Pour enlever la glace des parois intérieures, utilisez un grattoir en plastique ou en bois sans arêtes vives. N'utilisez jamais de grattoir métallique.

Procédez comme suit :

1. Veillez à débrancher l'appareil.
2. Séchez-vous soigneusement les mains pour éviter d'endommager la peau au contact de la glace (il est conseillé d'utiliser des gants).
3. Retirez tous les aliments congelés de l'appareil, mettez-les dans un récipient, une glacière, placez les blocs réfrigérants sur les aliments congelés pour les garder très froids et placez le récipient ou la glacière dans une pièce fraîche et sèche.
4. Retirez le bouchon de vidange de l'eau (si disponible) situé au bas de l'appareil. Sinon, vous devez essuyer l'eau au fond du compartiment de l'appareil avec une éponge ou une serviette.
5. Grattez soigneusement la glace à l'intérieur de l'appareil et la mettre dans l'évier de la cuisine, pour la décongeler.
6. Nettoyez soigneusement l'intérieur du compartiment de l'appareil, rincez-le à l'eau chaude et retirez les aliments ou liquides renversés.

7. Essuyez l'appareil avec un chiffon absorbant ou une éponge bien sèche et laissez-le aérer pendant environ 3 à 4 minutes.
8. Remplacez le bouchon de vidange (si disponible).
9. Fermez la porte de l'appareil, remettez la fiche dans la prise et mettez l'appareil en marche.
10. Remplissez à nouveau les aliments surgelés.

Pour empêcher la décongélation des aliments surgelés, il faut effectuer la procédure de décongélation dans un délai maximum de deux heures afin de réduire l'augmentation significative de la température des aliments surgelés qui réduirait la durée de conservation.

DÉPANNAGE

1. Difficulté d'ouverture de la porte ?

Après avoir fermé la porte, il peut être difficile de l'ouvrir pour quelques minutes. C'est normal et cela signifie que le joint de la porte fonctionne correctement. Il suffit d'attendre quelques minutes et vous pourrez ouvrir la porte facilement.

2. Pas de fonctionnement (l'appareil ne fonctionne pas ou ne refroidit pas)

- Y a-t-il une panne de courant ?
- La fiche est-elle en bon état et correctement branchée sur la prise de courant ?

3. L'appareil ne fonctionne pas suffisamment / "HH" est allumé

- Le couvercle de l'appareil est-il correctement fermé ?
- Y a-t-il une forte formation de glace sur les parois intérieures ?
- L'appareil est-il exposé à la lumière directe du soleil ou à une source de chaleur ?
- A-t-on mis trop d'aliments chauds dans l'appareil ?
- La classe climatique se trouve sur l'étiquette de classification à l'arrière de l'appareil. Elle indique les températures ambiantes auxquelles l'appareil fonctionne correctement.

Classe climatique	Température ambiante
SN	de +10°C à 32°C
N	de +16°C à 32°C
ST	de +16°C à 38°C

4. L'appareil fait du bruit.

Ce bruit est produit lorsque le moteur du compresseur fonctionne et aussi par le réfrigérant qui circule dans le circuit du système de refroidissement. Ces bruits sont normaux.

5. **Condensation sur les parois extérieures** Dans certaines conditions atmosphériques, la condensation peut se former sur les parois extérieures de l'appareil. Ceci est normal et n'affectera pas le fonctionnement de l'appareil.

SERVICE APRÈS-VENTE

1. Résoudre les défauts par vous-même

Si vous présumez un défaut, avant de contacter le service après-vente agréé directement ou par l'intermédiaire de votre revendeur, assurez-vous que vous avez bien observé toutes les instructions et tous les conseils figurant dans ce manuel d'utilisation.

2. SERVICE APRÈS-VENTE

Consultez la carte de garantie ci-jointe pour connaître les services après-vente disponibles.

Afin de recevoir une aide immédiate, assurez-vous d'avoir à portée de main les données essentielles suivantes pour identifier votre appareil :

- ✓ Marque de l'appareil
- ✓ Modèle
- ✓ Numéro de série
- ✓ Le problème ou la raison
- ✓ Date d'achat
- ✓ Acheté auprès de/fournisseur

Pour contacter l'assistance technique, visitez notre site Internet: <https://corporate.haier-europe.com/en/>. Dans la section «websites», choisissez la marque de votre produit et votre pays. Vous serez redirigé vers le site Web spécifique où vous pouvez trouver le numéro de téléphone et le formulaire pour contacter l'assistance technique.

DISPONIBILITÉ DES PIÈCES DE RECHANGE

Les thermostats, les capteurs de température, les cartes de circuit imprimé et les sources lumineuses sont disponibles pour une période minimale de sept ans à compter de la mise sur le marché de la dernière unité du modèle; Les poignées de porte, gonds de porte, plateaux et bacs, sont disponibles pour une période minimale de sept ans, et les joints de porte sont disponibles pour une période minimale de 10 ans à compter de la mise sur le marché de la dernière unité du modèle;

GARANTIE

La garantie minimale est : 2 ans pour les pays de l'UE, 3 ans pour la Turquie, 1 an pour le Royaume-Uni, 1 an pour la Russie, 3 ans pour la Suède, 2 ans pour la Serbie, 5 ans pour la Norvège, 1 an pour le Maroc, 6 mois pour l'Algérie, pas de garantie légale requise pour la Tunisie.

PRÉCAUTIONS

- Si votre armoire doit être mise au rebut, vous devez enlever la porte et laisser les étagères en place. Cela permettra de réduire les risques de danger pour les enfants. Et la mousse inflammable doit être éliminée par des professionnels.

CONSEILS D'ÉCONOMIE D'ÉNERGIE

- Après un certain temps de fonctionnement de l'appareil, une couche de givre ou de glace se forme sur les parois intérieures. Cela augmente la consommation d'énergie. Afin d'économiser l'énergie et de maintenir les meilleures performances, veuillez dégivrer le congélateur régulièrement. Reportez-vous au chapitre "Dégivrage" du mode d'emploi.

DÉCLARATION DE CONFORMITÉ

Le fabricant du/des produit(s) décrit(s) ici, auquel cette description se réfère, déclare sous sa seule responsabilité que le/les produit(s) répond(ent) aux exigences fondamentales de sécurité, de santé et de protection de la réglementation britannique et européenne applicable et que les rapports d'essai correspondants sont disponibles pour examen par les autorités compétentes et peuvent être demandés au vendeur de l'appareil, notamment en ce qui concerne la déclaration CE de Conformité délivrée par le fabricant ou avec l'accord du fabricant.

En outre, le fabricant déclare que les pièces de l'appareil décrites dans le présent manuel d'utilisation, qui entrent en contact avec des aliments frais, ne contiennent aucune substance toxique.


Le producteur travaille constamment au développement de tous les produits. Veuillez donc en tenir compte, car la forme, l'installation et la technologie sont susceptibles d'être modifiées sans préavis.

Pour plus d'informations sur le produit, veuillez consulter <https://eprel.ec.europa.eu/> ou scannez le QR sur l'étiquette énergétique fournie avec l'appareil.

LOW FROST

Grâce au module Low Frost, de l'air sec pénètre dans la compartiment et réduit ainsi la formation de glace.

VOORZORGSMAATREGELEN

- Dit apparaat mag gebruikt worden door kinderen ouder dan 8 jaar en personen met een lichamelijke, zintuiglijke of verstandelijke beperking of gebrek aan ervaring en kennis als zij onder toezicht staan of aanwijzingen hebben gekregen over hoe zij het apparaat op veilige wijze kunnen gebruiken en als zij de bijbehorende gevaren begrijpen.
- Kinderen mogen niet met het apparaat spelen.
- Reiniging en onderhoudswerkzaamheden mogen niet door kinderen uitgevoerd worden als zij niet onder toezicht staan.
- Het apparaat moet zo worden geplaatst dat de stekker toegankelijk is.
- Als het netsnoer beschadigd is, moet het worden vervangen door de fabrikant, zijn servicevertegenwoordiger of ander bevoegd personeel om gevaarlijke situaties te voorkomen.
- **WAARSCHUWING:** Houd de ventilatieopeningen in de omkasting van het apparaat of in de inbouwconstructie altijd vrij van verstoppingen.
- **WAARSCHUWING:** Gebruik geen mechanische apparaten of andere middelen om het ontdooien te versnellen, behalve degene die worden aanbevolen door de fabrikant.
- **WAARSCHUWING:** Beschadig het koelmiddelcircuit niet.
- **WAARSCHUWING:** Gebruik geen elektrische apparaten binnenin de ruimten voor de voedingsmiddelen van het apparaat, tenzij zij zijn aanbevolen door de fabrikant.
- Neem contact op met de servicevertegenwoordiger om het apparaat af te voeren, omdat er ontvlambaar blaasgasen zijn gebruikt.
- Als de lampen beschadigd zijn, moeten ze worden vervangen door de fabrikant, zijn servicevertegenwoordiger of andere bevoegde personen om gevaarlijke situaties te voorkomen.
- Bewaar in dit apparaat geen explosieve stoffen, zoals spuitbussen met ontvlambaar drijfmiddel.
- Diepvrieskist geschikt voor gebruik in onverwarmde ruimtes en buitenshuis tot -15 °C.
- Aangezien er ontvlambare koelmiddelen zijn gebruikt, moet het apparaat beslist worden geïnstalleerd, gehanteerd en onderhouden overeenkomstig de instructies. Neem contact op met een vakman of onze klantenservice wanneer het apparaat als afval moet worden afgevoerd.
- In apparaten met verlichting is een schakelaar ingebouwd. Bij het openen van het apparaat gaat het licht automatisch aan en bij het sluiten gaat het automatisch uit (niet bij alle modellen).
- Op grond van de regelgeving moet het apparaat worden geaard.
- Het  symbool op het product of op de verpakking ervan geeft aan dat dit product niet behandeld mag worden als huishoudelijk afval. In plaats daarvan moet het naar het geschikte inzamelpunt worden gebracht voor de recycling van elektrische en elektronische apparatuur. Door ervoor te zorgen dat dit product correct wordt afgevoerd, helpt u mogelijke negatieve gevolgen voor het milieu en de volksgezondheid te voorkomen, die anders veroorzaakt kunnen worden als dit product op de verkeerde manier als afval wordt verwerkt. Neem voor meer gedetailleerde informatie over de recycling van dit product contact op met uw plaatselijke gemeente, uw vuilnisophaaldienst of de winkel waar u het product heeft gekocht.
- **WAARSCHUWING:** Zorg er bij het plaatsen van het apparaat voor dat het netsnoer niet vastgeklemd of beschadigd raakt.
- **WAARSCHUWING:** Plaats geen meervoudige stopcontacten of draagbare voedingen aan de achterzijde van het apparaat.
- Kinderen van 3 tot en met 8 jaar mogen levensmiddelen in koelkasten zetten en eruit halen.
- Dit apparaat is bedoeld voor huishoudelijk gebruik en soortgelijke toepassingen zoals:
 - de personeelskeuken in winkels, kantoren en andere werkomgevingen;
 - landbouwbedrijven en klanten in hotels, motels en andere woonomgevingen;
 - B&B's;
 - catering- en soortgelijke non-retail-toepassingen.
- Om besmetting van levensmiddelen te voorkomen dienen de volgende instructies in acht te worden genomen:
 - Langdurige open houden van de deur kan een aanzienlijke temperatuurstijging teweeg brengen in de compartimenten van het apparaat.
 - Maak oppervlakken die in contact komen met levensmiddelen en bereikbare drainagesystemen regelmatig schoon.
 - Bewaar rauw vlees en vis in geschikte bakken in de vriezer, zodat ze niet in aanraking komen met, of druipen op, andere levensmiddelen.
 - Als de koelkast gedurende lange tijd leeg is, moet u deze uitschakelen, ontdooien, reinigen, drogen en de deur open laten om schimmelvorming in het apparaat te voorkomen.
- Om de veilige bewaring van levensmiddelen te garanderen, moeten instant voedsel en rauw vlees/vis apart worden bewaard.
- Dit koelapparaat is niet bedoeld om te worden gebruikt als inbouwapparaat

DIAGRAMMEN

FIG.1

- A Deksel
- B Pakking
- C Binnenverlichting (indien beschikbaar)
- D Kast
- E Bewaarvak
- F Ventilatiooster
- G Bedieningspaneel
- H Lade
- I Compressorkamer
- J Compressor
- K Ventilator (indien beschikbaar)
- L Achterste condensor (indien beschikbaar)
- M Aftapplug voor dooiwater

VOÓR GEBRUIK

- Dit apparaat is bestemd voor huishoudelijk gebruik en is alleen geschikt om voedsel te conserveren.
- Als het uitgekakte apparaat beschadigd is, neem dan contact op met uw dealer.
- De netvoeding moet voldoen aan het typeplaatje van het apparaat.

INSTALLATIE

- Pak het apparaat volledig uit. Verwijder alle verpakkingsmaterialen en voorwerpen vóór de installatie en houd het buiten het bereik van kinderen.
- Installeer het apparaat in een droge, goed geventileerde ruimte, stel het niet bloot aan direct zonlicht en plaats het niet in de buurt van een warmtebron.
- Laat ten minste 10 cm tussen het apparaat en de omgeving vrij voor ventilatie en warmteafvoer.
- De stroomvoorziening moet voldoen aan de specificaties op het typeplaatje en aan de lokale voorschriften.
- Wacht bij voorkeur ten minste twee uur voordat u het apparaat aansluit na de installatie. Dit helpt het koudemiddelcircuit te stabiliseren.

Installeer dit apparaat op een plaats waar de omgevingstemperatuur overeenkomt met de klimaatklasse die vermeld staat op het typeplaatje van het apparaat:

Klimaatklasse	Omgevingstemperatuur
SN	+10 °C tot 32 °C
N	+16 °C tot 32 °C
ST	+16 °C tot 38 °C

OPSTARTEN

1. Steek de stekker in het stopcontact. Alle lampjes lichten op en gaan uit. Hierna wordt de temperatuur weergegeven.
2. Wacht één uur om de temperatuur in het apparaat te doen zakken en plaats vervolgens voedsel in het apparaat

TEMPERATUURINSTELLING

Druk op (2) om de temperatuur aan te passen.

Geadviseerd wordt om de temperatuur in te stellen op -18°C.

FUNCTIE-INSTELLING (indien beschikbaar)

Druk op (1) tot (4) oplicht om de Super Freeze-functie te activeren.

De Fast Freeze-functie wordt na 71 uur automatisch uitgeschakeld om energie te besparen. Het energieverbruik neemt toe als deze functie is ingeschakeld. Tijdens de Fast Freeze-functie is de temperatuur in de vriezer -26 °C

Druk 3 seconden op (3) om het bedieningspaneel te vergrendelen/ontgrendelen.

VOEDSEL INVRIEZEN

- Wikkel of sluit voedsel in aluminiumfolie, luchtdichte containers of diepvrieszakjes voor het invriezen.
- Laat warm voedsel afkoelen voordat u het in het apparaat plaatst.
- Kleinere porties voedsel worden sneller ingevroren. Het aanbevolen maximale portiegewicht is 2,5 kg.
- Plaats geen warm voedsel direct in contact met reeds ingevroren voedsel. Bevroren voedsel kan ontdooien waardoor de voorziene houdbaarheidsdatum niet meer geldig is.
- Overschrijft de capaciteit van het apparaat, zoals aangegeven op het typeplaatje, niet
- Bij het vullen van het apparaat met grotere hoeveelheden vers voedsel, wordt aanbevolen om 53 uur van tevoren de Super Freeze-functie in te schakelen (indien beschikbaar).
- De opslagtijd voor gekochte diepvriesproducten varieert en is afhankelijk van het type product en de verpakking. Houd u daarom strikt aan de instructies van de producent/fabrikant op de verpakking.

REINIGING EN ONDERHOUD

- Zorg er altijd voor dat de netstroom is uitgeschakeld voordat u onderhoud of reiniging van het apparaat uitvoert.
- Als u uw apparaat voor langere tijd buiten gebruik laat, laat het dan open om te voorkomen dat er zich binnenin een onaangename geur ontwikkelt.
- Houd u aan de instructies om de bewaring van levensmiddelen te waarborgen en maak de vriezer regelmatig schoon. Details volgen hieronder.

- Reinig de binnenkant van uw vriezer ten minste eenmaal per jaar. Gebruik warm water en zuiveringszout - ongeveer een eetlepel zuiveringszout per liter/kwart water. Spoel grondig met water en veeg droog. Gebruik geen reinigingspoeders of andere schurende middelen. Was geen afneembare onderdelen in een vaatwasser.
- Gebruik geen agressieve chemicaliën, schuurmiddelen, ammoniak, chloorbleekmiddel, geconcentreerde reinigingsmiddelen, oplosmiddelen of metalen schuursponsjes. Sommige van deze chemicaliën kunnen uw vriezer oplossen, beschadigen en/of verkleuren.
- Gebruik nooit metalen schuursponsjes, borstels, schuur-, reinigings- of alkalische oplossingen op enig oppervlak.
- Reinig de deurpakking om de drie maanden volgens de interne reinigingsinstructies. Pakkingen moeten schoon en soepel worden gehouden om een goede afdichting te garanderen. Plaatsen zoals naden, sleuven, gaten enzovoorts kunnen worden schoongemaakt met eenvoudige instrumenten zoals zachte borstels. Indien nodig kunnen verwijderbare schappen, bakken, laden en soortgelijke accessoires voor het schoonmaken worden weggehaald en in de spoelbak worden afgewassen.

ONTDOOIEN

Het apparaat moet ontdooid worden zodra de dikte van het ijs op de wanden 5-6 mm bedraagt.

Gebruik geen elektrische, scherpe of mechanische voorwerpen om het ontdooiden te versnellen, tenzij geleverd of goedgekeurd door de fabrikant of een erkend servicecentrum.

Gebruik een plastic of houten schraper zonder scherpe randen om ijs van de binnenwanden te verwijderen. Gebruik nooit een metaalschraper.

Ga als volgt te werk:

1. Koppel het apparaat los van het stroomnet.
2. Droog uw handen grondig om beschadiging van de huid door contact met ijs te voorkomen (gebruik van handschoenen wordt aangeraden).
3. Haal al het bevroren voedsel uit het apparaat, plaats het in een container of koelbox, leg de bevroren koelblokken bovenop het bevroren voedsel om het zeer koud te houden, en plaats de container of koelbox in een koele, droge ruimte.
4. Trek de wateraftapplug (indien beschikbaar) aan de onderkant van het apparaat uit. Zoniet moet u het smeltwater aan de onderkant van het compartiment wegvegen met een spons of handdoek.
5. Schraap het ijs voorzichtig uit de binnenkant van het apparaat en plaats het in uw gootsteen, om te ontdooiden.
6. Reinig de binnenkant van het compartiment grondig, spoel het af met lauw water en verwijder gemorst voedsel of vloeistoffen.

7. Veeg het apparaat met een absorberende doek of spons grondig droog en laat het ongeveer 3 tot 4 minuten luchten.
8. Vervang de aftapplug (indien beschikbaar).
9. Sluit de deur van het apparaat, plaats de stekker terug in het stopcontact en zet het apparaat aan.
10. Plaats het diepvriesvoedsel terug in de vriezer.

Om te voorkomen dat diepvriesproducten ontdooiden, moet u het ontdooiden binnen maximaal twee uur uitvoeren. Dit voorkomt een significante temperatuurstijging van de diepvriesproducten waardoor de houdbaarheid wordt verkort.

PROBLEMEN OPLOSSEN

1. Deur gaat moeilijk open?

Na het sluiten kan het voor een paar minuten moeilijk zijn om de deur weer te openen. Dit is normaal en duidt op de goede conditie van de deurafdichting. Wacht een paar minuten en u kunt de deur weer gemakkelijk openen.

2. Geen bediening (apparaat werkt niet/wordt niet koud)

- Is er een stroomstoring?
- Is de stekker in goede staat en goed aangesloten op het stopcontact?

3. Apparaat werkt onvoldoende/ "HH" staat aan

- Is het deksel van het apparaat goed gesloten?
- Is er zware ijsvorming op de binnenwanden?
- Is het apparaat blootgesteld aan direct zonlicht of een warmtebron?
- Is er te veel warm voedsel in het apparaat geplaatst?
- De klimaatklasse staat op het typeplaatje achterin het apparaat. Het geeft de omgevingstemperaturen aan waarbij het apparaat correct werkt.

Klimaatklasse	Omgevingstemperatuur
SN	+10 °C tot 32 °C
N	+16 °C tot 32 °C
ST	+16 °C tot 38 °C

4. Het apparaat maakt geluid.

Dit geluid wordt voortgebracht wanneer de motor in de compressor werkt en ook door het koudemiddel dat in het koelsysteemcircuit stroomt. Deze geluiden zijn normaal.

5. Condensvorming op buitenwanden

Onder bepaalde atmosferische omstandigheden kan condensatie van op buitenwanden van het apparaat ontstaan. Dit is normaal en heeft geen invloed op de werking van het apparaat.

KLANTENSERVICE

1. Storingen zelf oplossen

Als u een storing vermoedt, zorg er dan voor dat u alle instructies en adviezen in deze gebruikershandleiding hebt opgevolgd voordat u rechtstreeks of via uw dealer contact opneemt met de officiële klantenservice.

2. Klantenservice

Raadpleeg de bijgevoegde garantiekaart voor beschikbare klantenservice.

Om onmiddellijk hulp te krijgen, moet u over de volgende basisgegevens beschikken om uw apparaat te identificeren:

- ✓ Merk
- ✓ Model
- ✓ Serienummer
- ✓ Het probleem of de reden
- ✓ Datum van aankoop
- ✓ Gekocht bij/leverancier

Ga naar onze website om contact op te nemen met de technische ondersteuning:

<https://corporate.haier-europe.com/en/>.

Kies onder de sectie "website" het merk van uw product en uw land. U wordt doorgestuurd naar de specifieke website waar u het telefoonnummer en formulier kunt vinden om contact op te nemen met de technische assistentie

BESCHIKBAARHEID VAN RESERVEONDERDELEN

Thermostaten, temperatuursensoren, printplaten en lichtbronnen, voor een minimumperiode van zeven jaar nadat het laatste exemplaar van het model op de markt is gebracht;deurklinken, deurscharnieren, bladen en manden voor een minimumperiode van zeven jaar en deurafdichtingen voor een minimumperiode van tien jaar, nadat het laatste exemplaar van het model op de markt is gebracht;

GARANTIE

Minimumgarantie is: 2 jaar voor EU-landen, 3 jaar voor Turkije, 1 jaar voor het Verenigd Koninkrijk, 1 jaar voor Rusland, 3 jaar voor Zweden, 2 jaar voor Servië, 5 jaar voor Noorwegen, 1 jaar voor Marokko, 6 maanden voor Algerije, Tunesië geen wettelijke garantie vereist.

VOORZORGSMAATREGELEN

- Als u uw vrieskast wilt weggoien, moet u de deur verwijderen en de laden op hun plaats laten. Dit vermindert de kans op gevaar voor kinderen. Het brandbare schuim moet worden afgevoerd door professionele vaklui.

TIPS VOOR ENERGIEBESPARING

- Nadat het apparaat enige tijd gewerkt heeft, vormt zich een laagje vorst of ijs op de binnenwanden. Dit verhoogt het energieverbruik. Om energie te besparen en de beste prestaties te behouden, moet u de vriezer regelmatig ontdooien. Raadpleeg het hoofdstuk "Ontdooien" van de gebruiksaanwijzing.

CONFORMITEITSVERKLARING

De fabrikant van het (de) hierin beschreven product (en), waarnaar in deze beschrijving wordt verwezen, verklaart op eigen verantwoording dat het (de) product (en) voldoet (voldoen) aan de betreffende fundamentele vereisten inzake veiligheid, gezondheid en bescherming van de desbetreffende Britse en EU-regelgeving en dat de desbetreffende testrapporten beschikbaar zijn voor onderzoek door de betreffende autoriteiten en kunnen worden opgevraagd bij de verkoper van het apparaat, met name met betrekking tot de CE-conformiteitsverklaring die door de fabrikant of met goedkeuring van de fabrikant is afgegeven.

Bovendien verklaart de fabrikant dat de in deze gebruikershandleiding beschreven onderdelen van het apparaat, die in contact komen met verse levensmiddelen, geen giftige stoffen bevatten.

De fabrikant werkt voortdurend aan de verdere ontwikkeling van alle producten. Houd hier dus rekening mee, aangezien vorm, uitrusting en technologie zonder voorafgaande kennisgeving kunnen worden gewijzigd.

Voor meer informatie over het product, raadpleeg <https://eprel.ec.europa.eu/> of scan de QR-code op het energielabel dat bij het apparaat is geleverd.

LOW FROST

Dankzij de Low Frost-module komt er droge lucht in de kast, zodat er minder ijsvorming optreedt.

ELŐVIGYÁZATOSSÁGI ELVEK

- A készüléket 8 évesnél idősebb gyermekek és csökkent fizikai, érzékszervi vagy mentális képességekkel rendelkező, vagy tapasztalattal és tudással nem rendelkező személyek is használhatják, ha a készülék biztonságos használata során felügyelet alatt állnak vagy oktatásban részesültek, és megértették a kapcsolódó veszélyeket.
- Gyermekek ne játsszanak a készülékkel.
- A tisztítást és a karbantartást gyermekek nem végezhetik felügyelet nélkül.
- A készüléket úgy kell elhelyezni, hogy a csatlakozó hozzáférhető legyen.
- Ha a tápkábel megsérül, a kockázatok elkerülése végett a gyártó által megadott márkaszerviznek vagy megfelelően képzett szakembernek kell gondoskodnia a cseréjéről.
- **FIGYELEM:** Ne helyezzen akadályokat a készülék szellőzőnyílásai és a beépített szerkezet elé.
- **FIGYELEM:** Ne próbálja meg felgyorsítani a leolvasztást olyan mechanikai készülékekkel és egyéb eszközökkel, amelyeket a gyártó nem javasolt erre a célra.
- **FIGYELEM:** Ne okozzon sérülést a hűtőkörben.
- **FIGYELEM:** Kizárólag a gyártó által javasolt típusú elektromos készülékeket használhatja a hűtő élelmiszertároló rekeszeiben.
- Kérjük, vegye fel a kapcsolatot a szervizügynökkel a készülék ártalmatlanítása érdekében, mert a gyúlékony fűvógázt használták.
- Ha a világítás lámpája megsérül, a kockázatok elkerülése végett a gyártó által megadott márkaszerviznek vagy megfelelően képzett szakembernek kell gondoskodnia a cseréjéről.
- Ne tároljon robbanásveszélyes anyagokat, például gyúlékony hajtóanyagot tartalmazó aeroszolos palackokat a készülékben.
- A fagyasztóládák fűtetlen helyiségekben és külső épületben, legalább -15 °C hőmérsékleten történő használatra szolgálnak.
- Mivel a gyúlékony hűtőközegeket használja, kérjük, a készüléket szigorúan az utasításoknak megfelelően telepítse, kezelje és szervizelje, és lépjen kapcsolatba szakemberrel vagy az értékesítés utáni szervizünkkel a készülék ártalmatlanítása érdekében.
- A világítással ellátott készülékekbe kapcsoló van beépítve. Amikor a készülék nyitva van, a lámpa automatikusan kigyullad, és automatikusan kikapcsol, amikor zárva van (nem minden modellnél).

- A jogszabályok megkövetelik a készülék földelését.



- A terméken vagy a csomagolásán található szimbólum jelöli, hogy a terméket tilos háztartási hulladékként kezelni. Ehelyett az elektromos és elektronikus berendezések újrafeldolgozását végző gyűjtőhelyen kell leadni. A készülék helyes ártalmatlanításával Ön segít megelőzni a környezetre és az emberi egészségre gyakorolt esetleges negatív következményeket, amelyeket a termék nem megfelelő hulladékkezelése egyébként okozna. A jelen termék szakszerű újrahasznosításával kapcsolatos információkért kérjük, vegye fel a kapcsolatot a helyi önkormányzattal, a háztartási hulladékkezelő szolgáltatóval vagy az adott terméket árusító üzlettel.
- **FIGYELEM:** A berendezés elhelyezésekor győződjön meg arról, hogy a tápkábel nem akad be, nem sérült.
- **FIGYELEM:** Ne helyezzen el elosztót vagy hosszabbítót a berendezés hátuljánál.
- A 3 és 8 év közötti gyermekek számára megengedett a hűtőkészülékek be- és kirakodása.
- Ez a készülék háztartási és hasonló célokra használható, mint például
 - személyzeti konyhákban üzletekben, irodákban és más munkakörnyezetekben;
 - tanyákon, szállodákban és motelekben a vendégek által, és más lakókörnyezetben;
 - apartman jellegű szálláshelyeken;
 - vendéglátás és hasonló nem kiskereskedelmi használat.
- Az élelmiszerek szennyeződésének elkerülése érdekében tartsa be a következő utasításokat:
 - Az ajtó hosszú idejű nyitva tartásával a berendezés belső hőmérséklete jelentősen megnövekedhet.
 - Rendszeresen tisztítsa az élelmiszerekkel érintkező felületeket és a hozzáférhető leeresztő rendszereket.
 - A nyers húst és halat megfelelő tartályokban tárolja a fagyasztóban, hogy ne kerüljön érintkezésbe más élelmiszerekkel, illetve ne csepegjen rá más élelmiszere.
 - Ha a hűtőszekrény hosszabb ideig üresen marad, kapcsolja ki, olvassza le, tisztítsa ki, szárítsa meg, és hagyja nyitva az ajtót, hogy a berendezés belseje ne penészedhessen meg.
- Az élelmiszerek biztonságos tárolása érdekében a fogyasztásra kész élelmiszert és a nyers húst / halat elkülönítve kell tárolni.
- Ezt a hűtőkészüléket nem beépítésre tervezték.

DIAGRAMOK

1. ÁBRA

- A Fedél
- B Tömítés
- C Belső világítás (ha rendelkezésre áll)
- D Szekrény
- E Tárolótér
- F Szellőzőrács
- G Vezérlőpanel
- H Kosár
- I Kompresszorkamra
- J Kompresszor
- K Ventilátor (ha van)
- L Blokkhűtő (ha van)
- M Olvadékvíz leeresztő dugasz

HASZNÁLAT ELŐTT

- Ez a készülék kizárólag háztartási használatra készült, kizárólag élelmiszer tárolására szolgál.
- Ha a kicsomagolt készülék sérült, kérjük, lépjen kapcsolatba a kereskedővel.
- A hálózati áramellátásnak meg kell felelnie a készülék adattáblájának.

BESZERELÉS

- Csomagolja ki teljesen a készüléket. A telepítés előtt győződjön meg arról, hogy a csomagolóanyagokat eltávolították és tartsa a vagyontárgyakat gyermekektől elzárva.
- A készüléket száraz, jól szellőző helyiségben kell elhelyezni, nem szabad közvetlen napfénynek kiténni, és nem szabad hőforrás közelében elhelyezni.
- Hagyjon legalább 10 cm-t a készülék és környezete között a szellőzés és a hőelvezetés érdekében.
- Az áramellátásnak meg kell felelnie az adattáblán megadottaknak, illetve a helyi előírásoknak.
- Javasoljuk, hogy a telepítés után várjon legalább két órát, mielőtt csatlakoztatná a készüléket. Ez segíti a hűtőkör stabilizálódását.

Telepítse a készüléket olyan helyre, ahol a környezeti hőmérséklet megfelel a készülék adattábláján feltüntetett éghajlati osztálynak:

Klímaosztály	Környezeti hőmérséklet
SN	+10 °C – 32 °C
N	+16 °C – 32 °C
ST	+16 °C – 38 °C

INDÍTÁS

1. Csatlakoztassa a dugaszt a konnektorba. Az összes jelzőfény kigyullad majd kikapcsol. Ezt követően megjelenik a hőmérséklet.

2. Várjon egy órát, amíg a készülék belsejében a hőmérséklet lecsökken, majd helyezzen élelmiszert a készülékbe.

HŐMÉRSÉKLET BEÁLLÍTÁS:

Csapszegek (2) a hőmérséklet beállításához.

Javasoljuk, hogy a hűtőtérben állítsa -18°C-ra.

FUNKCIÓ BEÁLLÍTÁSA (ha rendelkezésre áll)

A Super Freeze funkció aktiválásához nyomja meg az (1) gombot, amíg a (4) kigyullad.

Az energiatakarékosság érdekében a Fast Freeze funkció 71 óra elteltével automatikusan kikapcsol.

Az energiafogyasztás növekszik, ha ez a funkció be van kapcsolva. A Fast Freeze funkció alatt a fagyasztóban a hőmérséklet -26 ° C lesz

Nyomja meg a (3) gombot 3 másodpercig a vezérlőpanel zárolásához/feloldásához.

FAGYASZTOTT ÉLELMISZER

- Fagyasztás előtt csomagolja vagy zárja az élelmiszert alumíniumfóliába, légmentes tartályokba vagy élelmiszer-tárolóba.
- A készülékbe történő behelyezés előtt hagyja kihűlni a forró ételt.
- A kisebb adag étel gyorsabban megfagy. Az adag ajánlott maximális súlya 2,5 kg.
- Kerülje a meleg élelmiszer közvetlen érintkezését a már fagyasztott élelmiszerekkel. A fagyasztott élelmiszer kiolvadhat, és nem tartható el a tervezett tárolási ideig.
- A készülék táblán látható teljesítményét nem szabad túllépni.
- Ha a készüléket nagyobb mennyiségű friss étellel tölti fel, javasolt 53 órával előbb bekapcsolni a Super Freeze funkciót (ha rendelkezésre áll).
- A vásárolt mélyfagyasztott termékek tárolására szolgáló mérs mennyisége változó, és függ a termék típusától és csomagolásától. Ezért szigorúan tartsa be a gyártó csomagoláson található utasításait.

TISZTÍTÁS ÉS KARBANTARTÁS

- A készülék karbantartása vagy tisztítása előtt mindig győződjön meg arról, hogy a tápegység ki van kapcsolva.
- Ha hosszabb ideig nem használja a készüléket, hagyja nyitva, nehogy kellemetlen szagok alakuljanak ki benne.
- Az élelmiszerek tartósítása érdekében kérjük, tartsa be a fagyasztóhoz mellékelt használati utasítást és rendszeresen tisztítsa a fagyasztót. A részletek alább találhatók.

- Évente legalább egyszer tisztítsa meg a fagyasztó belsejét. Használjon meleg vizet és szódabikarbóna-oldatot - kb. egy evőkanál szódabikarbónát literenként. Öblítse le alaposan vízzel, majd törölje szárazra. Ne használjon súrolóport vagy más dörzshatású szert. Az eltávolítható alkatrészeket ne tisztítsa mosogatógépben.
- Ne használjon durva vegyszereket, csiszolóanyagokat, ammóniát, klórfehérítőt, koncentrált mosószereket, oldószereket vagy fém súrolószivacsot. Ezen vegyszerek némelyike feloldhatja, károsíthatja és/vagy elszínezheti a fagyasztót.
- Soha ne használjon fém súrolószivacsot, keféket, dörzsölő hatású, tisztító vagy lúgos oldatokat semmilyen felületen.
- A belső tisztítási utasítások szerint három havonta tisztítsa meg az ajtótömítést. A tömítéseket a megfelelő tömítés biztosítása érdekében tisztán és rugalmasan kell tartani. Olyan helyeken, mint a varratok, nyílások, lyukak stb., használjon egyszerű szerszámokat, pl. puha kefét. Szükség esetén a kivehető polcokat, tálcákat, fiókokat és hasonló tartozékokat a készülékből eltávolítva és a mosdókagylóban mosva lehet tisztítani.

JÉGMENTESÍTÉS

Amint a falon lévő jég vastagsága eléri az 5-6 mm-t, a készüléket ki kell olvasztani.

Ne használjon elektromos, éles vagy mechanikus tárgyakat a kiolvasztás és a jégeltávolítás folyamatának elősegítésére, kivéve, ha azokat a gyártó vagy a jóváhagyott szervizközpont szállítja vagy hagyja jóvá.

Ha el szeretné távolítani a jeget a belső falokról, használjon éles szélű műanyag vagy fakaparót. Soha ne használjon fém kaparót.

A következő módon járjon el:

1. Ügyeljen rá, hogy húzza ki a készüléket.
2. Szárítsa meg alaposan a kezét, hogy megelőzze a jéggel történő érintkezés okozta bőrkárosodást (javasolt kesztyűt viselni).
3. Vegye ki az összes fagyasztott élelmiszert a készülékből, tegye egy tartályba, hűtődobozba, tegyen jégakkut a fagyasztott élelmiszer tetejére, hogy az nagyon hideg maradjon, és helyezze el a tartályt vagy hűtődobozt egy hűvös, száraz helyiségbe.
4. Húzza ki a készülék alján található vízleeresztő dugót (ha van). Ellenkező esetben törölje le szivaccsal vagy törülközővel a készüléktől alján lévő olvadt vizet.
5. Óvatosan kaparja ki a jeget a készülék belsejéből, és tegye a konyhai mosogatóba, hogy kiolvassza.
6. Alaposan tisztítsa meg a készülék belsejét, öblítse le meleg vízzel, és távolítsa el a kiömlött ételt vagy folyadékot.

7. Egy nedvszívó ronggyal vagy szivaccsal alaposan törölje szárazra a készüléket, és hagyja szellőzni körülbelül 3-4 percig.
8. Tegye vissza a leeresztő dugót (ha van).
9. Zárja be a készülék ajtaját, dugja vissza a csatlakozót a konnektorba és kapcsolja be a készüléket.
10. Most helyezze vissza a fagyasztott ételt.

A fagyasztott élelmiszer kiolvasztásának megakadályozása érdekében a kiolvasztási eljárást legfeljebb két órán belül el kell végezni, hogy a fagyasztott élelmiszer hőmérséklete ne emelkedjen meg jelentősen, ami lerövidítené a tárolási időt.

HIBAEELHÁRÍTÁS

1. Nehéz kinyitni az ajtót?

Az ajtót a bezárás követően néhány percig nehéz lehet kinyitni. Ez normális, és azt jelenti, hogy az ajtótömítés megfelelően működik. Csak várjon pár percet, és könnyedén ki tudja nyitni az ajtót.

2. Nem működik (a készülék nem működik/kihűl).

- Áramszünet van?
- A csatlakozó jó állapotban van és megfelelően van csatlakoztatva a konnektorhoz?

3. A készülék nem működik megfelelően/a „HH” be van kapcsolva.

- a készülék fedele megfelelően le van zárva?
- Erős jégképződés van a belső falakon?
- A készülék közvetlen napfénynek vagy hőforrásnak van kitéve?
- Túl sok meleg étel került a készülékbe?
- A klímaosztály megtalálható a készülék hátoldalán található minősítő címkén. Ez határozza meg azt a környezeti hőmérsékletet, amelyen a készülék megfelelően fog működni.

Klímaosztály	Környezeti hőmérséklet
SN	+10 °C ... 32 °C
N	+16 °C ... 32 °C
ST	+16 °C ... 38 °C

4. A készülék hangot ad ki.

Ez a zaj akkor keletkezik, amikor a kompresszor motorja működik, valamint a hűtőrendszerben lévő hűtőközeg kering. Ezek a zajok normálisak.

5. Kondenzáció halmozódik fel a külső falakon.

Bizonyos légköri viszonyok között a készülék külső falain kondenzáció képződhet. Ez normális, és nem befolyásolja a készülék működését.

ÉRTÉKESÍTÉS UTÁNI SZOLGÁLTATÁS

1. Önálló hibaelhárítás

Amennyiben bármilyen hibára gyanakszik, mielőtt közvetlenül vagy a márkakereskedőjén keresztül kapcsolatba lépne a hivatalos vevőszolgálattal, győződjön meg arról, hogy betartotta-e a jelen felhasználói kézikönyvben található utasításokat és tanácsokat.

2. Értékesítést követő szolgáltatások

Tekintse meg a mellékelt jótállási kártyát a rendelkezésre álló értékesítés utáni szolgáltatásokért.

Ahhoz, hogy azonnali segítséget kapjon, győződjön meg arról, hogy rendelkezik a következő alapvető adatokkal a készülék azonosításához:

- ✓ A készülék márkája
- ✓ Modell
- ✓ Sorozatszám
- ✓ A probléma vagy annak oka
- ✓ Vásárlás dátuma
- ✓ Beszerzés helye/Szállító

A technikai segítségnyújtáshoz látogasson el weboldalunkra: <https://corporate.haier-europe.com/en/>. A „weboldal” részben válassza ki a termék márkáját és az országot. Átirányítanak az adott weboldalra, ahol megtalálhatja a telefonszámot és az űrlapot a technikai segítségnyújtáshoz.

PÓTALKATRÉSZEK ELÉRHETŐSÉGE

Termosztátok, hőmérséklet-érzékelők, nyomtatott áramköri kártyák és fényforrások egy modell utolsó darabjának forgalomba hozatalát követően legalább hét évig; ajtónyitó fogók, ajtózanérok, tálcák és kosarak egy modell utolsó darabjának forgalomba hozatalát követően legalább hét évig, továbbá ajtótmítések egy modell utolsó darabjának forgalomba hozatalát követően legalább 10 évig;

GARANCIA

A minimális garancia: az EU tagállamaiban 2 év, Törökországban 3 év, az Egyesült Királyságban 1 év, Oroszországban 1 év, Svédországban 3 év, Szerbiában 2 év, Norvégiában 5 év, Marokkóban 1 év Marokkó, Algériában 6 hónap, Tunézia esetén pedig nincs előírva garanciaállalási kötelezettség.

ELŐVIGYÁZATOSSÁGI ELVEK

- Ha a hűtőszekrényt ki szeretné dobni, le kell vennie az ajtókat és a polcokat a helyükön kell hagynia. Ez csökkenti a gyermekeket fenyegető veszélyek lehetőségét. A gyúlékony habot pedig szakembereknek kell ártalmatlanítaniuk.

ENERGIA-TAKARÉKOSSÁGI TIPPEK

- Ha a készülék már egy ideje működik, fagy- vagy jégképződik a belső falakon. Ez növeli az energiafogyasztást. Az energiatakarékosság és a legjobb teljesítmény fenntartása érdekében kérjük, rendszeresen olvassa ki a fagyasztót. Lásd a felhasználói útmutató „Kiolvasztás” fejezetét.

MEGFELELŐSÉGI NYILATKOZAT

Az itt leírt termék(ek) gyártója, amelyre a leírás utal, kizárólagos felelőssége birtokában kijelenti, hogy a termék megfelel az Egyesült Királyság és az EU vonatkozó alapvető biztonsági, egészségügyi és védelmi követelményeinek, és hogy a megfelelő vizsgálati jelentések az illetékes hatóságok általi ellenőrzés céljából rendelkezésre állnak, és a készülék eladójától kérhetők, különös tekintettel a gyártó által kiadott CE megfelelőségi nyilatkozatra vagy a gyártói jóváhagyásra.

Ezenkívül a gyártó kijelenti, hogy a használati útmutatóban leírt, friss élelmiszerekkel érintkező alkatrészek nem tartalmaznak mérgező anyagokat.


A gyártó folyamatosan dolgozik az összes termékének továbbfejlesztésén. Ezért kérjük, tartsa ezt szem előtt, mivel a forma, a felépítés és a technológia előzetes értesítés nélkül megváltozhat.

A termékkel kapcsolatos további információkért kérjük, keresse fel a <https://eprel.ec.europa.eu/> webhelyet, vagy olvassa be a QR-t a készülékhez mellékelt energiacímken.

LOW FROST

A low frost kialakításnak köszönhetően száraz levegő lép be a szekrénybe, így a jegesedés mértéke visszafogott.

MĂSURI DE PRECAUȚIE

- Acest aparat poate fi utilizat de copii cu vârsta de cel puțin 8 ani și de persoane cu capacități fizice, senzoriale sau mentale reduse sau care nu au experiență și cunoștințe, dacă sunt supravegheați sau instruiți cu privire la utilizarea aparatului în condiții de siguranță și înțeleg pericolele asociate.
- Este interzis copiilor să se joace cu acest aparat.
- Curățarea și întreținerea efectuată de utilizator nu trebuie efectuate de copii fără a fi supravegheați.
- Aparatul trebuie poziționat astfel încât fișa să fie accesibilă.
- În cazul în care cablul de alimentare este deteriorat, trebuie înlocuit de către producător, de agenții săi de service sau de persoane cu calificări similare pentru a evita pericolele.
- **AVERTISMENT:** Nu obstructionați orificiile de ventilație din carcasa aparatului sau din structura incorporabilă.
- **AVERTISMENT:** Nu utilizați dispozitive mecanice sau alte mijloace pentru a accelera procesul de dezghețare, altele decât cele recomandate de către producător.
- **AVERTISMENT:** Nu deteriorați circuitul agentului frigorific.
- **AVERTISMENT:** Nu utilizați aparate electrocasnice în interiorul compartimentelor de depozitare a alimentelor ale aparatului, cu excepția cazului când aparțin categoriei recomandate de către producător.
- Contactați agentul de service pentru a elimina aparatul, deoarece conține gaze inflamabile.
- Dacă becul de iluminat este deteriorat, trebuie să fie înlocuit de producător, agentul de service sau de persoane cu calificări similare pentru a evita pericolele.
- Nu depozitați substanțe explozive, cum ar fi cutii cu aerosoli care conțin gaze propulsoare inflamabile, în acest aparat.
- Ladă frigorifică adecvată pentru utilizare în încăperi neîncălzite și în exterior la temperaturi de minim -15 °C.
- Deoarece sunt utilizați agenți frigorifici inflamabili, vă rugăm să instalați, să manipulați și să efectuați lucrări de service strict în conformitate cu instrucțiunile și să contactați agentul specializat sau serviciul nostru post-vânzare pentru eliminarea aparatului.
- Un comutator este încorporat în aparatele dotate cu iluminat. Când aparatul este deschis, lumina se aprinde automat și se stinge automat atunci când acesta este închis.(nu este furnizat pentru toate modelele)
- Reglementările impun legarea la pământ a aparatului.
-  Simbolul de pe produs sau de pe ambalajul acestuia indică faptul că acest produs nu poate fi tratat ca deșeu menajer. În schimb, acesta trebuie predat punctului de colectare corespunzător pentru reciclarea echipamentelor electrice și electronice. Asigurându-vă că acest produs este eliminat în mod corect, veți ajuta la prevenirea potențialelor consecințe negative pentru mediu și sănătatea umană, care ar putea fi cauzate de manipularea necorespunzătoare a acestui produs. Pentru informații mai detaliate despre reciclarea acestui produs, vă rugăm să contactați biroul local al orașului dvs., serviciul de eliminare a deșeurilor menajere sau magazinul de unde ați achiziționat produsul.
- **AVERTISMENT:** Atunci când poziționați aparatul, asigurați-vă că nu este prins sau deteriorat cablul de alimentare.
- **AVERTISMENT:** Nu amplasați mai multe prize portabile sau surse de alimentare portabile în spatele aparatului.
- Copiilor cu vârsta cuprinsă între 3 și 8 ani li se permite să introducă și să scoată alimente din aparatele frigorifice.
- Acest aparat este destinat utilizării casnice sau în condiții similare, cum ar fi:
 - zona de bucătărie pentru angajații unui magazin, birou sau altor medii de lucru;
 - în ferme, de către clienții hotelurilor, motelurilor sau altor medii de tip rezidențial;
 - în unități de cazare cu mic dejun inclus;
 - pentru servicii de catering și aplicații similare și nu pentru vânzarea cu amănuntul.
- Pentru a evita contaminarea alimentelor, respectați instrucțiunile următoare:
 - Deschiderea ușii pentru perioade lungi poate provoca o creștere semnificativă a temperaturii în compartimentele aparatului.
 - Curățați cu regularitate suprafețele care pot intra în contact cu alimentele și sistemele de drenare accesibile.
 - Depozitați carnea crudă și peștele în congelator în recipiente adecvate, astfel încât să nu intre în contact cu sau să se scurgă pe alte alimente..
 - Dacă aparatul frigorific rămâne gol un timp îndelungat, opriți, dezghețați, curățați, uscați și lăsați ușa deschisă pentru a preveni dezvoltarea mușgaiului în interiorul aparatului.
- Pentru a asigura conservarea sigură a produselor alimentare, alimentele instant și carnea crudă/peștele crud trebuie păstrate separat.
- Acest aparat frigorific nu este destinat a fi utilizat ca aparat încorporat.

DIAGrame

FIG1.

- A Capac
- B Garnitură
- C Lumină interioară (dacă este disponibilă)
- D Dulap
- E Compartiment de depozitare
- F Grilă de ventilație
- G Panou de control
- H Coș
- I Camera compresorului
- J Compresor
- K Ventilator (dacă este disponibil)
- L Condensator (dacă este disponibil)
- M Dezghețați dopul de scurgere a apei

ÎNAINTE DE UTILIZARE

- Acest aparat este destinat strict pentru uz casnic, numai pentru păstrarea alimentelor.
- În cazul în care aparatul despachetat este deteriorat, vă rugăm să contactați distribuitorul.
- Alimentarea cu energie electrică a rețelei trebuie să fie conformă cu plăcuța de identificare a aparatului.

MONTAREA

- Despachetați complet aparatul. Asigurați-vă că toate materialele de ambalare sunt îndepărtate și eliminate corespunzător înainte de instalare și nu sunt lăsate la îndemâna copiilor.
- Aparatul trebuie instalat într-o încăpere uscată, bine ventilată, și nu trebuie să fie expus la lumina directă a soarelui sau amplasat lângă o sursă de căldură.
- Lăsați o distanță de cel puțin 10 cm între aparat și împrejurimi pentru ventilare și disiparea căldurii.
- Alimentarea cu energie electrică trebuie să fie conformă cu specificațiile de pe plăcuța de identificare și să respecte reglementările locale.
- Se recomandă să așteptați cel puțin două ore după instalare înainte de a conecta aparatul. Acest lucru ajută la stabilizarea circuitului agentului frigorific.

Instalați aparatul într-un loc în care temperatura ambiantă corespunde clasei climatice indicate pe plăcuța tehnică a aparatului:

Clasă de climatizare	Temperatură ambiantă
SN	de la +10 °C la 32 °C
N	de la +16 °C la 32 °C
ST	de la +16 °C la 38 °C

PUNEREA ÎN FUNCȚIUNE

1. Introduceți fișa în priză. Toate indicatoarele luminoase se aprind și se sting. Apoi se așteaptă temperatura.
2. Așteptați o oră pentru ca temperatura din interiorul aparatului să scadă și apoi introduceți alimentele în interiorul aparatului.

SETAREA TEMPERATURII

Știfturi (2) pentru reglarea temperaturii.

Se recomandă setarea temperaturii la -18 °C

SETARE FUNCȚII (dacă este disponibilă)

Apăsați (1) până se aprinde (4) pentru a activa funcția de congelare rapidă.

Funcția Fast Freeze va fi dezactivată automat după 71 de ore pentru a economisi energie. Consumul de energie va crește atunci când această funcție este activată. În timpul funcției de îngheț rapid, temperatura în congelator va fi de -26 °C.

Apăsați (3) timp de 3 secunde pentru a bloca/debloca panoul de comandă.

CONGELAREA ALIMENTELOR

- Îneliți sau împachetați alimentele în folie de aluminiu, recipiente etanșe sau pungi de depozitare a alimentelor înainte de congelare.
- Lăsați alimentele calde să se răcească înainte de a le pune în aparat.
- Porțiile mai mici de mâncare vor fi congelate mai repede. Greutatea maximă recomandată a unei porții este de 2,5 kg.
- Evitați contactul direct al alimentelor calde cu alimentele deja congelate. Alimentele congelate s-ar putea dezgheța și este posibil să se altereze înainte de vreme.
- Capacitatea aparatului, așa cum se arată pe plăcuța de identificare, nu trebuie depășită.
- La umplerea aparatului cu cantități mai mari de alimente proaspete, se recomandă să setați funcția de congelare rapidă (dacă este disponibilă) cu 53 de ore în avans.
- Limita de depozitare pentru produsele cumpărate congelate variază și depinde de tipul de produs și de ambalajul acestuia. Prin urmare, respectați cu strictețe instrucțiunile producătorului/fabricantului de pe ambalaj.

CURĂȚARE ȘI ÎNTREȚINERE

- Asigurați-vă întotdeauna că sursa de alimentare este oprită înainte de a efectua orice lucrare de întreținere sau curățare a aparatului.
- dacă nu utilizați aparatul pentru o perioadă lungă de timp, lăsați-l deschis pentru a evita formarea de mirosuri neplăcute în interior.
- Pentru a asigura conservarea produselor alimentare, vă rugăm să respectați aceste Instrucțiuni de utilizare și să curățați în mod regulat congelatorul. Detaliile sunt descrise mai jos.

- Curățați interiorul congelatorului cel puțin o dată pe an. Utilizați apă caldă și soluție de bicarbonat de sodiu - aproximativ o lingură de bicarbonat de sodiu la litru de apă. Clătiți bine cu apă și ștergeți. Nu utilizați substanțe de curățare sub formă de pudră sau alți agenți de curățare abrazivi. Nu spălați piesele detașabile în mașina de spălat vase.
- Nu utilizați substanțe chimice dure, abrazive, amoniac, clor, detergenți concentrați, solvenți sau tampoane de curățare din metal. Unele dintre aceste substanțe chimice pot dizolva, deteriora și/sau decolora congelatorul.
- Nu utilizați niciodată tampoane de curățare din metal, perii, soluții abrazive, de curățare sau alcaline pe nicio suprafață.
- Curățați garnitura ușii la fiecare trei luni, în conformitate cu instrucțiunile privind curățarea interiorului. Garniturile trebuie păstrate curate și flexibile pentru a asigura o etanșare corespunzătoare. Pentru locurile greu accesibile, cum ar fi margini, fante, găuri și așa mai departe, pot fi utilizate unelte obișnuite pentru curățare, cum ar fi perile moi. Dacă este necesar, rafturile detașabile, tăvile, sertarele și accesoriile similare pot fi curățate prin scoaterea din aparat și spălare în chiuvetă.

DEZGHEȚAREA

Aparatul trebuie dezghețat după ce grosimea stratului de gheață de pe pereți atinge 5-6 mm.

Nu utilizați obiecte electrice, ascuțite sau mecanice pentru a ajuta la dezghețarea gheții, cu excepția cazului în care sunt furnizate sau aprobate de producător sau de centrul de service autorizat.

Pentru a îndepărta gheața de pe pereții interiori, utilizați o racletă din plastic sau lemn fără margini ascuțite. Nu folosiți niciodată o racletă de metal.

Procedați după cum urmează:

1. Trebuie să scoateți aparatul din priză.
2. Uscați-vă bine mâinile pentru a preveni deteriorarea pielii în contact cu gheața (se recomandă utilizarea mănușilor).
3. Scoateți toate alimentele congelate din aparat, puneți-le într-un recipient, cutie frigorifică, puneți bateriile înghețate deasupra alimentelor congelate pentru a le menține foarte reci și puneți recipientul sau cutia frigorifică într-o cameră răcoroasă și uscată.
4. Scoateți dopul de scurgere a apei (dacă este disponibil) situat în partea de jos a aparatului. În caz contrar, trebuie să ștergeți apa rezultată din topirea gheții din partea inferioară a compartimentului aparatului cu un burete sau un prosop.
5. Îndepărtați cu atenție gheața din interiorul aparatului și puneți-o în chiuveta din bucătărie, pentru dezghețare.
6. Curățați bine interiorul compartimentului aparatului, clătiți cu apă caldă și îndepărtați urmele de alimente sau lichidele vărsate.

7. Ștergeți aparatul cu o cârpă absorbantă sau cu un burete bine uscat și lăsați să se aerisească timp de aproximativ 3-4 minute.
8. Puneți la loc dopul de scurgere (dacă este disponibil).
9. Închideți ușa aparatului, puneți fișa din nou în priză și porniți aparatul.
10. Acum puneți la loc mâncarea congelată.

Pentru a preveni decongelarea alimentelor congelate, efectuați procedura de decongelare în termen de maximum două ore pentru a reduce creșterea semnificativă a temperaturii alimentelor congelate, ceea ce ar scurta durata de depozitare a acestora.

DEPANARE

1. Ușa se deschide greu?

După închiderea ușii, aceasta se deschide din nou greu timp de câteva minute. Acest lucru este normal și înseamnă că garnitura ușii funcționează corect. Așteptați câteva minute și veți putea să deschideți ușa cu ușurință.

2. Nu funcționează (aparatură nu funcționează/se răcește).

- S-a întrerupt curentul?
- Fișa este în stare bună și este conectată corespunzător la priză?

3. Aparatură nu funcționează suficient/ „HH” este aprins.

- Capacul aparatului este închis în mod corespunzător?
- S-a format un strat gros de gheață pe pereții interiori?
- Aparatură este expus la lumina directă a soarelui sau la o sursă de căldură?
- Au fost puse prea multe alimente calde în aparat?
- Clasa climatică poate fi găsită pe eticheta din partea din spate a aparatului. Aceasta specifică temperaturile ambientale la care aparatul va funcționa corect.

Clasa climatică:	Temperatura ambientă
SN	+ +10 °C până la + 32 °C
N	+ +16 °C până la + 32 °C
ST	+ +16 °C până la + 38 °C

4. Aparatură face zgomot.

Acest zgomot este produs atunci când motorul compresorului funcționează și, de asemenea, de agentul frigorific care curge în circuitul sistemului de răcire. Aceste zgomote sunt normale.

5. Se acumulează condens pe pereții exteriori. În anumite condiții atmosferice, condensul poate proveni de pe pereții exteriori ai aparatului. Acest lucru este normal și nu va afecta funcționarea aparatului.

SERVICIU POST-VÂNZARE

1. Rezolvarea defecțiunilor pe cont propriu

Dacă suspectați orice defecțiune, înainte de a contacta serviciul post-vânzare autorizat în mod direct sau prin intermediul distribuitorului dvs., asigurați-vă că ați respectat toate instrucțiunile și sfaturile din acest manual de utilizare.

2. Serviciu post-vânzare

Consultați cardul de garanție anexat pentru serviciile post-vânzare disponibile.

Pentru a primi ajutor imediat, asigurați-vă că aveți pregătite următoarele date esențiale pentru identificarea aparatului:

- ✓ Marca aparatului
- ✓ Model
- ✓ Numărul de serie
- ✓ Problema sau motivul
- ✓ Data achiziției
- ✓ Cumpărat de la/furnizor

Pentru a contacta asistența tehnică, vizitați site-ul nostru web: <https://corporate.haier-europe.com/en/>.

În secțiunea „website”, alegeți marca produsului dvs. și țara dvs. Veți fi redirecționat către site-ul web specific, unde puteți găsi numărul de telefon și formularul pentru a contacta asistența tehnică.

DISPONIBILITATEA PIEȚELOR DE REZUMAT

Termostate, senzori de temperatură, plăci de circuite imprimate și surse de lumină pe o perioadă de șapte ani de la introducerea pe piață a ultimei unități din model; mânere de ușă, balamale de ușă, tăvi și coșuri pe o perioadă minimă de șapte ani și garnituri de ușă pe o perioadă minimă de 10 ani de la introducerea pe piață a ultimei unități din model;

GARANȚIA

Garanția minimă este de: doi ani pentru țările din UE, trei ani pentru Turcia, un an pentru Regatul Unit, un an pentru Rusia, trei ani pentru Suedia, doi ani pentru Serbia, cinci ani pentru Norvegia, un an pentru Maroc, șase luni pentru Algeria, iar pentru Tunisia nu este necesară nicio garanție legală.

MĂSURI DE PRECAUȚIE

- Dacă trebuie să eliminați dulapul, trebuie să scoateți ușa și să lăsați rafturile la locul lor. Acest lucru va reduce pericolul pentru copii. Iar spuma inflamabilă trebuie eliminată de către profesioniști.

SFATURI PENTRU ECONOMISIREA ENERGIEI

- După ce aparatul a fost în funcțiune o perioadă mai lungă, pe pereții interiori se va forma un strat de îngheț sau gheață. Acest lucru crește consumul de energie. Pentru a economisi energie și a menține cele mai bune performanțe, trebuie să decongelezi congelatorul în mod regulat. Consultați capitolul „Dezghetare” din instrucțiunile utilizatorului.

DECLARAȚIE DE CONFORMITATE

Producătorul produsului (produselor) descris (e) în prezenta, la care se referă această descriere, declară pe răspunderea sa exclusivă că produsul (produsele) îndeplinește (îndeplinesc) cerința fundamentală relevantă de siguranță, sănătate și protecție din cerințele relevante din Regatul Unit și UE și că rapoartele de testare corespunzătoare sunt disponibile pentru examinare de către autoritățile relevante și pot fi solicitate vânzătorului aparatului, în special în ceea ce privește declarația de conformitate CE emisă de producător sau cu aprobarea producătorului.

În plus, producătorul declară că piesele aparatului descrise în acest manual de utilizare, care vin în contact cu alimente proaspete, nu conțin substanțe toxice.


Producătorul lucrează în mod constant la dezvoltarea ulterioară a tuturor produselor. Prin urmare, vă rugăm să aveți în vedere acest lucru, deoarece forma, configurația și tehnologia pot fi modificate, fără notificare prealabilă.

Pentru informații suplimentare despre produs, vă rugăm să consultați <https://eprel.ec.europa.eu/> sau să scanați codul QR de pe eticheta energetică furnizată împreună cu aparatul.

LOW FROST

Din cauza modulului low frost, aerul uscat intră în compartiment, asigurând astfel reducerea formării de gheață.

ПРЕДПАЗНИ МЕРКИ

- Този уред може да се използва от деца, навършили 8 годишна възраст, и лица с намалени физически, сетивни или умствени способности или липса на опит и знания, ако това се извършва под надзор или ако са получили инструкции за безопасна употреба на уреда и разбират свързаните с това опасности.
- Децата не трябва да си играят с уреда.
- Почистването и техническата поддръжка не трябва да се извършват от деца без надзор.
- Уредът трябва да е разположен така, че щепселът да е достъпен.
- Ако захранващият кабел е повреден, той трябва да се подмени от производителя, от неговия сервизен представител или от квалифицирани за целта лица, за да се избегне опасност.
- **ПРЕДУПРЕЖДЕНИЕ:** Не препречвайте вентилационните отвори в корпуса на уреда или във вградената структура.
- **ПРЕДУПРЕЖДЕНИЕ:** Не използвайте механични устройства или други средства за ускоряване на процеса на размразяване, различни от препоръчаните от производителя.
- **ПРЕДУПРЕЖДЕНИЕ:** Не повреждайте охладителния агент.
- **ПРЕДУПРЕЖДЕНИЕ:** Не използвайте електрически уреди в отделенията на уреда за съхранение на храна, освен ако те не са от типа, препоръчан от производителя.
- Моля, свържете се със сервизния представител, за да изхвърлите уреда, тъй като в него има запалими газове.
- Ако някоя от крушките изгори, тя трябва да се подмени от производителя, неговия сервизен представител или от квалифицирани за целта лица, за да се избегне опасност.
- Не съхранявайте в този уред експлозивни вещества, като например флакони с аерозол със запалим компонент.
- Фризер тип „ракла“, подходящ за използване в неотоплени помещения и пристройки при температура, не по-ниска от -15° C.
- Тъй като се използват запалими хладилни агенти, моля, монтирайте, използвайте и обслужвайте уреда при строго спазване на инструкциите. За да изхвърлите уреда, свържете се с професионалния ни представител или с нашия следпродажбен сервиз.
- В уредите, оборудвани с осветително приспособление, е вграден превключвател. Когато уредът бъде отворен, светлината се включва автоматично и се изключва автоматично при затваряне (не се предлага при всички модели)
- Според правилата уредът трябва да бъде заземен.
- Символът  върху продукта или върху неговата опаковка показва, че този продукт не може да се третира като битов отпадък. Вместо това той се предава на съответния пункт за събиране, в който се рециклира електрическо и електронно оборудване. Като се уверите, че този продукт се изхвърля по правилен начин, Вие ще спомогнете да се предотвратят потенциални отрицателни последици за околната среда и здравето на човека, каквито може да причини неправилното третиране на отпадъците от този продукт. За повече информация относно рециклирането на този продукт, моля, свържете се с местната градска служба, службата за изхвърляне на битови отпадъци или магазина, откъдето сте закупили продукта.
- **ПРЕДУПРЕЖДЕНИЕ:** При позициониране на уреда се уверете се, че захранващият кабел не е заплетен или повреден.
- **ПРЕДУПРЕЖДЕНИЕ:** В близост до задната част на уреда не трябва да се разполагат множество преносими щепселни съединения или преносими електрозахранващи устройства.
- Деца на възраст от 3 до 8 години могат да поставят в уреда и да изваждат от него хранителни продукти.
- Този уред е предназначен да се използва за домакински и други подобни цели, като например:
 - в кухненски зони за персонала в магазини, офиси и други работни помещения;
 - селскостопански къщи и от клиенти в хотели, мотели и други подобни жилищни помещения;
 - в места за краткосрочно настаняване;
 - кетъринг и подобни услуги, които не са свързани с търговия на дребно.
- За да се избегне замърсяване на храната, спазвайте следните инструкции:
 - Отварянето на вратата за дълги периоди може да доведе до повишаване на температурата в отделенията на уреда.
 - Редовно почиствайте повърхностите, които биха могли да попаднат в контакт с храна, както и достъпните системи за оттичане.
 - Суровото месо и рибата се съхраняват в подходящи съдове във фризера, така че да не влизат в контакт с други храни или да не капят върху тях.
 - Ако хладилникът ще бъде празен за дълги периоди, трябва да го изключите, размразите, почистите и подсушите и да оставите вратата му отворена, за да се предотврати появата на мухъл в него.
- За да се гарантира безопасното съхранение на храните, инстантните храни и суровото месо/риба се съхраняват отделно.
- Този хладилен уред не е предназначен за вграждане.



ДИАГРАМИ

ФИГ. 1.

- A Капак
- B Уплътнение
- C Вътрешно осветление (ако е налично)
- D Шкаф
- E Отделение за съхранение
- F Вентилационна решетка
- G Контролно табло
- H Кошница
- I Компресорна камера
- J Компресор
- K Вентилатор (ако има такъв)
- L Блоков кондензатор (ако е наличен)
- M Тапа за оттичане на вода при размразяване

ПРЕДИ УПОТРЕБА

- Този уред е предназначен само за домакинска употреба, за съхранение само на храна.
- Ако при разпечатване откриете повреда на уреда, свържете се с Вашия търговец.
- Захранващата мрежа трябва да бъде в съответствие с табелката с данните на уреда.

МОНТАЖ

- Напълно разопаковайте уреда. Уверете се, че всички опаковъчни материали са отстранени и правилно изхвърлени преди монтажа, и не са достъпни за деца.
- Уредът трябва да се монтира в сухо, добре проветриво помещение, да не е изложено на пряка слънчева светлина и да не се поставя близо до източник на топлина.
- Оставете най-малко 10 см между уреда и околната му среда с цел проветряване и разсейване на топлината.
- Електрозахранването трябва да съответства на посоченото на табелката с данни и да отговаря на местните указания.
- След инсталиране на уреда се препоръчва да изчакате най-малко два часа, преди да го включите. Това спомага за стабилизиране на охладителния агент.

Инсталирайте уреда на място, където температурата на околната среда съответства на климатичния клас, посочен на табелката с данни на уреда:

Климатичен клас	Температура на околната среда
SN	+10 °C до 32 °C
N	+16 °C до 32 °C
ST	+16 °C до 38 °C

СТАРТИРАНЕ

1. Включете щепсела в контакта. Всички индикатори светват и се изключват. След това се изобразява температурата.
2. Изчакайте един час температурата в уреда да спадне и след това поставете храна в уреда

НАСТРОЙВАНЕ НА ТЕМПЕРАТУРАТА

Бутони (2) за регулиране на температурата.

Препоръчва се температурата отделение да се зададе на -18°C

НАСТРОЙВАНЕ НА ФУНКЦИИТЕ (ако е налично)

Натиснете (1) до (4), докато светнат, за да активирате функцията Super Freeze (Супер замразяване).

Функцията за Fast Freeze ще се изключи автоматично след 71 часа, за да спести енергия.

Консумацията на енергия ще се увеличи, когато тази функция е включена. По време на функцията за Fast Freeze температурата във фризера ще бъде -26 °C

Натиснете (3) за 3 секунди, за да заключите/отключите контролното табло.

ЗАМРАЗЯВАНЕ НА ХРАНА

- Преди замразяване увивайте или запечатвайте храната в алуминиево фолио, съдове с херметическо затваряне или пликосе за съхранение на храна.
- Оставете горещата храна да се охлади, преди да я поставите в уреда.
- По-малките порции храна се замразяват по-бързо. Препоръчителното максимално тегло на една порция е 2,5 кг.
- Избягвайте да поставяте топла храна директно в контакт с вече замразена храна. Замразената храна може да се размрази и срокът ѝ на годност може да се скъси спрямо предвиденото.
- Не следва да се надвишава капацитетът на уреда, както е показан на табелката с данни.
- При поставяне в уреда на по-големи количества прясна храна се препоръчва да включите функцията Super Freeze (ако е налична) 53 часа предварително.
- Времето за съхранение на закупени дълбоко замразени продукти е различно и зависи от вида на продукта и неговата опаковка. Поради това стриктно спазвайте инструкциите на производителя, посочени на опаковката.

ПОЧИСТВАНЕ И ПОДДРЪЖКА

- Винаги се уверявайте, че захранването е изключено, преди да извършвате поддръжка или почистване на уреда.
- Ако не използвате уреда за продължителен период, оставете го отворен, за да предотвратите натрупването в него на неприятни мирисми.
- За да гарантирате запазването на хранителните продукти, моля, спазвайте настоящите инструкции за употреба и редовно почистване на фризера. Подробна информация има по-долу.

- Почиствайте вътрешността на фризера поне веднъж годишно. Използвайте топла вода и разтвор на сода бикарбонат – около една супена лъжица сода бикарбонат на литър/кварта вода. Изплакнете обилно с вода и подсушете. Не използвайте прахове за почистване или други абразивни почистващи препарати. Не мийте подвижните части в съдомиялна.
- Не използвайте силни химикали, абразиви, амоняк, белина, концентрирани детергенти, разтворители или тел за почистване. Някои от тези химикали може да разтворят, повредят и/или променят цвета на Вашия фризер.
- Никога не използвайте тел за почистване, метални четки, абразиви, почистващи или алкални разтвори върху която и да е повърхност.
- Почиствайте уплътнението на вратата на всеки три месеца съгласно инструкциите почистване на вътрешността. Уплътненията трябва да се поддържат чисти и меки, за да се осигури правилно уплътнение. За места като ръбове, жлебове, процепи и др. могат да се използват обикновени инструменти за почистване, като например меки четки. Ако е необходимо, подвижните рафтове, табла, чекмеджета и други подобни аксесоари могат да се извадят от уреда и да се измият в мивката.

РАЗМРАЗЯВАНЕ

Уредът трябва да се размрази, когато дебелината на леда по стените достигне 5–6 мм.

Не използвайте електрически, остри или механични предмети, за да подпомогнете процеса на размразяване, освен ако не са осигурени или одобрени от производителя или одобрения сервизен център.

За да премахнете леда от вътрешните стени, използвайте пластмасова или дървена стъргалка без остри ръбове. Никога не използвайте метална стъргалка.

Направете следното:

1. Не забравяйте да изключите уреда.
2. Изсушете старателно ръцете си, за да предотвратите увреждане на кожата при контакт с лед (препоръчва се да използвате ръкавици).
3. Извадете цялата замразена храна от уреда, сложете я в съд, хладилна кутия, поставете замразените охлаждащи блокчета върху замразената храна, за да я запазите много студена, и поставете контейнера или хладилната кутия в хладно, сухо помещение.
4. Издърпайте тапата за оттичане на вода (ако има такава), която се намира на дъното на уреда. В противен случай трябва да избършете разтопената вода на дъното на отделението на уреда с гъба или кърпа.
5. Изстържете внимателно леда от вътрешната страна на уреда и го поставете в кухненската мивка, за да се размрази.
6. Почистете изцяло вътрешността на отделението на уреда, изплакнете го с топла вода и отстранете останалите частици храна или течности.

7. Избършете уреда с попивателна кърпа или гъба, подсушете добре и оставете да се проветри за около 3 до 4 минути.
8. Сменете тапата за оттичане (ако има такава).
9. Затворете вратата на уреда, върнете щепсела в контакта и включете уреда.
10. Върнете замразената храна обратно в уреда.

За да предотвратите размразяването на замразената храна, процедурата по размразяване се извършва в рамките на максимум два часа, за да се намали значителното покачване на температурата на замразената храна, което би съкратило срока на годност.

ОТСТРАНЯВАНЕ НА ПРОБЛЕМИ

1. Вратата се отваря трудно?

След като затворите вратата, е възможно да е трудно тя да се отвори отново в продължение няколко минути. Това е нормално и означава, че уплътнението на вратата работи правилно. Просто изчакайте няколко минути и ще можете лесно да отворите вратата.

2. Не функционира (уредът не работи/не се изстудява).

- Има ли прекъсване на захранването?
- В добро състояние ли е щепселът и правилно ли е включен в контакта?

3. Уредът не работи достатъчно добре/Свети „НН“.

- Добре ли е затворен капакът на уреда?
- По вътрешните стени образувал ли се е дебел слой лед?
- Уредът изложен ли е на пряка слънчева светлина или източник на топлина?
- Да не би в уреда да са сложени твърде много топли храни?
- Климатичният клас е посочен на етикета с данните на гърба на уреда. На него е посочена температурата на околната среда, при която уредът ще работи правилно.

Климатичен клас	Околна температура
SN	+10 °C до 32 °C
N	+16 °C до 32 °C
ST	+16 °C до 38 °C

4. Уредът издава шум.

Този шум се произвежда, когато двигателят в компресора работи, а също и когато хладилен агент навлезе във веригата на охладителната система. Тези видове шум са нормални.

5. Конденз, натрупан по външните стени. При определени атмосферни условия по външните стени на уреда може да се появи конденз. Това е нормално и няма да повлияе на функционирането на уреда.



СЛЕДПРОДАЖБЕНО ОБСЛУЖВАНЕ

1. Разрешаване на повреди самостоятелно

Ако допускате, че има повреда, преди да се свържете с одобрения следпродажбен сервис пряко или чрез Вашия търговец, уверете се, че сте спазили всички инструкции и съвети в настоящото ръководство за потребителя.

2. Следпродажбен сервис

Проверете в приложената гаранционна карта кои са наличните следпродажбени сервиси.

За да получите незабавна помощ, трябва да разполагате със следните основни данни, за да идентифицирате уреда си:

- ✓ Марка на уреда
- ✓ Модел
- ✓ Сериен номер
- ✓ Проблемът или причината
- ✓ Дата на закупуване
- ✓ Закупено от/доставчик

За да се свържете с техническата помощ, посетете нашия уебсайт: <https://corporate.haier-europe.com/en/>. В раздела „websites“ изберете марката на вашия продукт и вашата държава. Ще бъдете пренасочени към конкретния уебсайт, където можете да намерите телефонния номер и формуляра за връзка с техническата помощ.

НАЛИЧНОСТ НА РЕЗЕРВНИ ЧАСТИ

термостати, температурни датчици, печатни платки и източници на светлина най-малко в продължение на седем години след пускането на пазара на последната бройка от модела. ръкохватки за врати, панти за врати, рафтове и чекмеджета най-малко в продължение на седем години, и уплътнения за врати най-малко в продължение на 10 години след пускането на пазара на последната бройка от модела;

ГАРАНЦИЯ

Минималната гаранция е: 2 години за страните от ЕС, 3 години за Турция, 1 година за Обединеното кралство, 1 година за Русия, 3 години за Швеция, 2 години за Сърбия, 5 години за Норвегия, 1 година за Мароко, 6 месеца за Алжир; за Тунис не се изисква законова гаранция.

ПРЕДПАЗНИ МЕРКИ

- Ако уредът трябва да се изхвърли, трябва да откачите вратата и да оставите рафтовете. Това ще намали опасността за децата. Запалимата пяна трябва да се изхвърли от специалисти.

СЪВЕТИ ЗА ИКОНОМИЯ НА ЕНЕРГИЯ

- След като уредът известно време е бил в експлоатация, се образува слой от скреж или лед по вътрешните стени. Това увеличава консумацията на енергия. За да пестите енергия и да поддържате най-добри експлоатационни качества, размразявайте фризера редовно. Вижте глава „Размразяване“ от инструкциите за потребителя.

ДЕКЛАРАЦИЯ ЗА СЪОТВЕТСТВИЕ

Производителят на продукта/ите, описан/и тук, за който/които се отнася настоящото описание, декларира/т на своя отговорност, че продуктът/ите отговаря/т на съответното основно изискване за безопасност, здраве и защита на Обединеното кралство и ЕС, както и че съответните доклади от изпитвания са на разположение за проверка от съответните органи и могат да бъдат изискани от продавача на уреда, особено по отношение на *СЕ Декларацията* за съответствие, издадена от производителя или с одобрението на производителя.

Освен това производителят декларира, че частите на уреда, описани в настоящото ръководство за потребителя, които влизат в контакт с пресни храни, не съдържат токсични вещества.


Производителят работи постоянно по усъвършенстването на всички продукти. Моля, имайте това предвид, тъй като формата, дизайнът и технологията подлежат на промяна без предварително уведомление.
--

За допълнителна информация относно продукта, моля, консултирайте се с <https://eprel.ec.europa.eu/> или сканирайте QR на енергийния етикет, доставен с уреда

LOW FROST

С модула Low Frost във витрината влиза сух въздух, който спомага да не се образува лед.

PŘEDBĚŽNÁ OPATŘENÍ

- Tento spotřebič mohou používat děti ve věku od 8 let a osoby se sníženými fyzickými, smyslovými nebo duševními schopnostmi nebo s nedostatkem zkušeností a znalostí, pokud jsou pod dohledem nebo dostali instrukce týkající se bezpečného používání spotřebiče a chápou související nebezpečí.
- Děti si se spotřebičem nesmějí hrát.
- Děti nesmějí bez dozoru dospělých spotřebič čistit, ani provádět činnosti údržby.
- Spotřebič musí být umístěn tak, aby byla zástrčka přístupná.
- Jestliže je poškozený napájecí kabel, smí ho vyměnit pouze výrobce, servisní technik nebo osoba s podobnou příslušnou kvalifikací, jinak by mohlo dojít k úrazu.
- **VAROVÁNÍ:** Větrací otvory ve skříni spotřebiče nebo ve vestavné konstrukci musí zůstat volné.
- **VAROVÁNÍ:** Nepoužívejte mechanické nástroje nebo jiné prostředky k urychlení procesu odmrazování, pokud nejsou doporučeny výrobcem.
- **VAROVÁNÍ:** Nesmí dojít k poškození chladicího okruhu.
- **VAROVÁNÍ:** Nepoužívejte elektrické spotřebiče uvnitř úložných oddílů pro potraviny ve spotřebiči, pokud nejsou tyto typy přímo doporučeny výrobcem.
- Pro likvidaci spotřebiče se obraťte na servisního technika, protože byl použit hořlavý ventilační plyn.
- Jestliže jsou lampy osvětlení poškozené, smí je vyměnit pouze výrobce, jeho servisní technik nebo osoby s podobnou příslušnou kvalifikací, jinak by mohlo dojít k úrazu.
- V tomto spotřebiči neskladujte výbušné látky, jako jsou aerosolové nádoby s hořlavou podpurnou látkou.
- Pultová mraznička vhodná pro použití v nevyhříváných místnostech a mimo budovu při teplotě nejméně -15 °C.
- Vzhledem k tomu, že se používají hořlavá chladiva, nainstalujte spotřebič, manipulujte s ním a provádějte jeho servis přísně podle pokynů a obraťte se na profesionální pracovníky nebo naše poprodejní servisy, aby spotřebič zlikvidovali.
- Do spotřebičů vybavených osvětlením je zabudován spínač. Po otevření spotřebiče se světlo automaticky rozsvítí a po zavření se automaticky vypne (me u všech modelů).
- Předpisy vyžadují uzemnění spotřebiče.
- Symbol  na obalu a jeho balení udává, že tento výrobek nepatří do domácího odpadu. Místo toho je nutné jej odvézt do příslušného sběrného místa pro recyklaci elektrického a elektronického zařízení. Zajištěním správné likvidace tohoto výrobku pomůžete zabránit možným negativním důsledkům pro životní prostředí a lidské zdraví, které by jinak mohly být způsobeny nesprávným nakládáním s tímto produktem. Podrobnější informace o recyklaci tohoto výrobku získáte na místním obecním úřadu, středisku pro likvidaci domovního odpadu nebo v obchodě, kde jste tento výrobek zakoupili.
- **VAROVÁNÍ:** Při umísťování spotřebiče se ujistěte, že nedošlo k zachycení ani poškození napájecího kabelu.
- **VAROVÁNÍ:** V zadní části spotřebiče neumísťujte vícenásobné přenosné prodlužovací zásuvky ani přenosné napájecí zdroje.
- Vkládat potraviny do chladicího spotřebiče a vyjímat je ven mohou děti ve věku od 3 do 8 let.
- Spotřebič je určen k použití v domácnosti a v podobných prostředích, například:
 - v kuchyňských prostorách pro zaměstnance v obchodech, kancelářích a jiných pracovních prostředích;
 - v zemědělských domech a místnostech klientů v hotelech, motelech a jiných obytných prostředích;
 - v prostředích pro nocleh se snídaní;
 - ve stravovacích a podobných zařízeních mimo maloobchod.
- Dodržujte prosím následující pokyny, aby se zabránilo kontaminaci potravin:
 - otevírání dveří na dlouhou dobu může v oddílech spotřebiče způsobit výrazné zvýšení teploty;
 - pravidelně čistěte povrchy, které mohou přijít do styku s potravinami, a přístupné odvodňovací systémy;
 - syrové maso a ryby skladujte ve vhodných nádobách v mrazničce, aby nedocházelo ke kontaktu s jinými potravinami a aby na ně ani nekapaly;
 - pokud je chladicí spotřebič po delší dobu ponechán prázdný, vypněte jej, odmrazte, vyčistěte, vysušte a nechte dveře otevřené, aby se zabránilo tvorbě plísní uvnitř spotřebiče.
- Pro zajištění bezpečného uchování potravin se instantní potraviny a syrové maso/ryby skladují odděleně.
- Tento chladicí spotřebič není určen k vestavění.



SCHÉMATA

OBR. 1

- A Víko
- B Těsnění
- C Vnitřní osvětlení (je-li k dispozici)
- D Skříň
- E Skladovací prostor
- F Ventilační mřížka
- G Ovládací panel
- H Koš
- I Oddíl kompresoru
- J Kompresor
- K Ventilátor (je-li k dispozici)
- L Blokovaný kondenzátor (je-li k dispozici)
- M Vypouštěcí zátky vody z rozmrazování

PŘED POUŽITÍM

- Tento spotřebič je určen výhradně pro použití v domácnosti a pouze pro skladování potravin.
- Pokud je vybalený spotřebič poškozen, obraťte se na vašeho prodejce.
- Síťové napájení musí odpovídat jmenovitému štítku spotřebiče.

INSTALACE

- Spotřebič zcela vybalte. Před instalací zajistěte, aby byly všechny obalové materiály odstraněny a správně zlikvidovány a uchovávány mimo dosah dětí.
- Spotřebič by měl být instalován v suché, dobře větrané místnosti, neměl by být vystaven přímému slunečnímu záření a neměl by být umístěn v blízkosti zdroje tepla.
- Mezi spotřebičem a jeho okolím ponechte mezeru alespoň 10 cm pro odvětrání a odvod tepla.
- Elektrické napájení musí být v souladu se specifikací na jmenovitém štítku a musí být v souladu s místními předpisy.
- Doporučuje se počkat nejméně dvě hodiny, než spotřebič po instalaci zapojíte do zásuvky. Pomůže to stabilizovat okruh chladiva.

Instalujte spotřebič na místo, kde okolní teplota odpovídá klimatické třídě uvedené na typovém štítku spotřebiče:

Klimatická třída	Teplota okolí
SN	+10 °C až 32 °C
N	+16 °C až 32 °C
ST	+16 °C až 38 °C

SPUŠTĚNÍ

1. Zasuňte zástrčku do zásuvky. Všechny indikátory se rozsvítí a zhasnou. Pak se zobrazí teplota.
2. Počkejte jednu hodinu, než teplota uvnitř spotřebiče klesne, a potom vložte potraviny do spotřebiče.

NASTAVENÍ TEPLoty

Kolíky (2) pro nastavení teploty.

Doporučuje se nastavit teplotu na -18 °C.

NASTAVENÍ FUNKCE (je-li k dispozici)

Pro aktivaci funkce Super mrazení stiskněte (1), dokud se nerozsvítí (4).

Funkce Fast Freeze se po 71 hodinách automaticky vypne, aby se šetřila energie. Když je tato funkce zapnutá, spotřeba energie se zvýší. Během funkce Fast Freeze bude teplota v mrazničce -26 °C.

Stiskněte (3) na 3 sekundy pro uzamčení/odemčení ovládacího panelu.

MRAZENÍ POTRAVIN

- Před zmrazením zabalte nebo obalte potraviny do hliníkové fólie, vzduchotěsných obalů nebo sáčků na skladování potravin.
- Před vložením do spotřebiče nechte horké jídlo vychladnout.
- Menší porce potravin budou zmrazeny rychleji. Doporučená maximální hmotnost porce je 2,5 kg.
- Vyhnete se přímému kontaktu teplých potravin s již zmrazenými potravinami. Zmrazené jídlo by se mělo rozmrazit a nemusí vydržet předpokládanou dobu skladování.
- Kapacita spotřebiče, která je uvedena na štítku, by neměla být překročena.
- Při naplnění spotřebiče větším množstvím čerstvých potravin se doporučuje 53 hodin předem zapnout funkci Super mrazení (je-li k dispozici).
- Doba skladování zakoupených hluboce zmrazených produktů se liší a závisí na typu produktu a jeho balení. Proto přísně dodržujte pokyny výrobce/dodavatele na obalu.

ČIŠTĚNÍ A ÚDRŽBA

- Před prováděním údržby nebo čištění spotřebiče se vždy ujistěte, že je napájení vypnuto.
- Ponecháte-li spotřebič delší dobu mimo provoz, nechte jej otevřený, aby se uvnitř nevytvářel zápach a nepříjemné pachy.
- Chcete-li zajistit konzervaci potravin, dodržujte prosím tento návod k používání a pravidelně čistěte mrazničku. Podrobné informace jsou uvedeny níže.
- Vnitřní část mrazničky čistěte alespoň jednou ročně. Použijte teplou vodu a roztok jedlé sody, přibližně lžičku jedlé sody na litr/kvart vody. Důkladně opláchněte teplou vodou a otřete dosucha. Nepoužívejte čisticí prášky nebo jiné abrazivní čisticí prostředky. Nemyjte odnímatelné části v myčce nádobí.

- Nepoužívejte drsné chemikálie, abraziva, čpavek, chlorové bělidlo, koncentrované čisticí prostředky, rozpouštědla nebo kovové drátěnky. Některé z těchto chemikálií mohou rozpustit, poškodit a/nebo změnit barvu mrazničky.
- Nikdy nepoužívejte na žádný povrch kovové drátěnky, kartáče, abraziva, čisticí nebo alkalické roztoky.
- Každé tři měsíce vyčistěte těsnění dveří podle pokynů na čištění vnitřku. Těsnění musí být udržována v čistotě a ohebná, aby bylo zajištěno řádné utěsnění. Na místech, jako jsou spoje, štěrbin, otvory a tak dále, můžete při čištění použít jednoduché nástroje, například měkké kartáče. Odnímatelné police, zásobníky, zásuvky a podobné příslušenství lze v případě potřeby vyčistit vyjmutím ze spotřebiče a umytím v umyvadle.

ODMRAZOVÁNÍ

Spotřebič by měl být rozmrazen, jakmile tloušťka ledu na stěnách dosáhne 5-6 mm.

Při rozmrazování nepoužívejte na odstraňování ledu žádné elektrické, ostré nebo mechanické předměty, pokud nejsou dodány nebo schváleny výrobcem nebo schváleným servisním střediskem.

Pro odstranění ledu z vnitřních stěn použijte plastovou nebo dřevěnou škrabku bez ostrých hran. Nikdy nepoužívejte kovovou škrabku.

Postupujte takto:

1. Nezapomeňte odpojit spotřebič.
2. Důkladně si osušte ruce, abyste zabránili zranění kůže kontaktem s ledem (doporučuje se používat rukavice).
3. Vyjměte všechny mražené potraviny ze spotřebiče, vložte je do nádoby, chladicí krabice, položte zmražené chladicí bloky na vrchol mražených potravin, abyste je udrželi velmi chladné, a umístěte nádobu nebo chladicí box do chladné a suché místnosti.
4. Vytáhněte vypouštěcí zátku vody (je-li k dispozici) umístěnou ve spodní části spotřebiče. V opačném případě musíte otřít vodu z ledu ve spodní části prostoru spotřebiče houbou nebo utěrkou.
5. Led opatrně seškrábejte z vnitřní strany spotřebiče a vložte jej do kuchyňského dřezu, aby se roztál.
6. Důkladně vyčistěte vnitřní část prostoru spotřebiče, opláchněte ji teplou vodou a vyčistěte rozlité potraviny nebo tekutiny.

7. Spotřebič otřete absorpčním hadříkem nebo houbou a nechte jej větrat asi 3 až 4 minuty.
8. Namontujte zpět vypouštěcí zátku (je-li k dispozici).
9. Zavřete dvířka spotřebiče, vložte zástrčku zpět do zásuvky a zapněte spotřebič.
10. Nyní jí znovu naplňte mraženými potravinami.

Chcete-li zabránit rozmrazování zmražených potravin, proveďte postup rozmrazování nejpozději do dvou hodin, aby se významně nezvýšila teplota zmražených potravin, což by zkrátilo dobu skladování.

ŘEŠENÍ PROBLÉMŮ

1. Dvířka se těžko otevírají?

Po zavření dvířek může být obtížné je za několik minut znovu otevřít. Jedná se o normální jev a znamená to, že těsnění dveří funguje správně. Stačí počkat pár minut a budete moci snadno otevřít dvířka.

2. Žádná operace (spotřebič nefunguje/nemrazí).

- Došlo k výpadku napájení?
- Je zástrčka v dobrém stavu a správně zapojena do zásuvky?

3. Spotřebič nefunguje dostatečně/svítl „HH“.

- Je víko spotřebiče správně zavřeno?
- Není na vnitřních stěnách vytvořena hrubá vrstva ledu?
- Není spotřebič vystaven přímému slunečnímu světlu nebo zdroji tepla?
- Nebylo do spotřebiče vloženo příliš mnoho teplých potravin?
- Klimatická třída je uvedena na štítku na zadní straně spotřebiče. Určuje okolní teploty, při kterých bude spotřebič správně fungovat.

Klimatická třída	Okolní teplota
SN	+10 °C až 32 °C
N	+16 °C až 32 °C
ST	+16 °C až 38 °C

4. Spotřebič vydává hluk.

Tento hluk vzniká při provozu motoru v kompresoru a také při průtoku chladiva v okruhu chladicího systému. Tyto zvuky jsou normální.

5. **Kondenzace se hromadí na vnějších stěnách.** Za určitých atmosférických podmínek se může kondenzace tvořit na vnějších stěnách spotřebiče. Jedná se o normální jev a neovlivní to funkci spotřebiče.

POPRODEJNÍ SERVIS

1. Samostatné řešení závad

Pokud máte podezření na jakoukoli závadu, před kontaktováním schváleného poprodejního servisu přímo nebo prostřednictvím vašeho prodejce se ujistěte, že jste dodrželi všechny pokyny a rady uvedené v této uživatelské příručce.

2. Poprodejní služby

Dostupné poprodejní služby naleznete v příloženém záručním listu.

Chcete-li získat okamžitou pomoc, ujistěte se, že máte připraveny následující základní údaje pro identifikaci vašeho spotřebiče:

- ✓ Značka spotřebiče
- ✓ Model
- ✓ Sériové číslo
- ✓ Problém nebo důvod
- ✓ Datum nákupu
- ✓ Zakoupen od/dodavatel

Chcete-li kontaktovat technickou pomoc, navštivte naše webové stránky:

<https://corporate.haier-europe.com/en/> .

V sekci „websites“ vyberte značku vašeho produktu a vaši zemi. Budete přesměrováni na konkrétní webovou stránku, kde najdete telefonní číslo a formulář pro kontaktování technické pomoci.

DOSTUPNOST NÁHRADNÍCH DÍLŮ

Termostaty, teplotní čidla, desky plošných spojů a zdroje světla, po dobu alespoň sedmi let poté, co byl na trh uveden poslední kus daného modelu; Dveřní kliky, dveřní závěsy, přihrádky a koše po dobu alespoň sedmi let a těsnění dveří po dobu alespoň deseti let poté, co byl na trh uveden poslední kus daného model.

ZÁRUKA

Minimální záruka je: 2 roky pro země EU, 3 roky pro Turecko, 1 rok pro Spojené království, 1 rok pro Rusko, 3 roky pro Švédsko, 2 roky pro Srbsko, 5 let pro Norsko, 1 rok pro Maroko, 6 měsíců pro Alžírsko, pro Tunisko není vyžadována žádná právní záruka.

PŘEDBĚŽNÁ OPATŘENÍ

- Pokud má být vaše skříň zlikvidována, musíte odstranit dvířka a nechat police na místě. Tím se sníží možné nebezpečí pro děti. A hořlavou pěnu musí zlikvidovat odborníci.

TIPY NA ÚSPORU ENERGIE

- Po delší době provozu spotřebiče se na vnitřních stěnách vytvoří vrstva námrazy nebo ledu. Tím se zvyšuje spotřeba energie. Abyste ušetřili energii a zachovali nejlepší výkon, pravidelně rozmrazujte mrazničku. Viz kapitola uživatelské příručky s názvem „Rozmrazování“.

PROHLÁŠENÍ O SHODĚ

Výrobce výrobku/výrobků popsaného/popsaných v tomto dokumentu, k němuž/kterým se tento popis vztahuje, prohlašuje na svou výhradní odpovědnost, že výrobek/výrobky splňuje/splňují příslušné základní požadavky na bezpečnost, ochranu zdraví a životního prostředí stanovené příslušným požadavkem Spojeného království a EU a že příslušné zkušební protokoly jsou k dispozici příslušným orgánům a mohou být vyžádány od prodejce spotřebiče, zejména s ohledem na *EU prohlášení o shodě* vydané výrobcem nebo se schválením výrobce.

Výrobce dále prohlašuje, že části spotřebiče popsané v této uživatelské příručce, které přicházejí do styku s čerstvými potravinami, neobsahují žádné toxické látky.

Výrobce neustále pracuje na dalším vývoji všech výrobků. Nezapomeňte proto, že forma, uspořádání a technologie se mohou bez předchozího upozornění změnit.

Další informace o produktu naleznete na adrese <https://eprel.ec.europa.eu/> nebo naskenujte QR na energetickém štítku dodaném se zařízením.

LOW FROST

Díky modulu Low Frost vstupuje do skříně suchý vzduch, který zaručuje omezené tvoření ledu.

ŚRODKI OSTROŻNOŚCI

- Urządzenie to może być obsługiwane przez dzieci powyżej 8 roku życia oraz osoby o ograniczonej zdolności fizycznej, czuciowej lub psychicznej bądź nieposiadające doświadczenia i wiedzy, jeśli są one pod nadzorem lub poinstruowano je w zakresie bezpiecznej obsługi urządzenia i zrozumiały one potencjalne zagrożenia.
- Nie zezwalać dzieciom na zabawę z urządzeniem.
- Czyszczenie i konserwacja urządzenia nie powinny być przeprowadzane przez dzieci bez nadzoru.
- Urządzenie należy ustawić tak, aby wtyczka była dostępna.
- W razie uszkodzenia kabla zasilającego powinien go wymienić producent, serwisant lub inna wykwalifikowana osoba, aby uniknąć zagrożenia.
- **OSTRZEŻENIE:** Nie zasłaniać otworów wentylacyjnych w obudowie urządzenia lub w szafce, w której je zabudowano.
- **OSTRZEŻENIE:** Nie używać urządzeń mechanicznych ani innych środków do przyspieszania procesu rozmrażania, o ile nie są one zalecane przez producenta.
- **OSTRZEŻENIE:** Nie należy dopuścić do uszkodzenia obwodu czynnika chłodniczego.
- **OSTRZEŻENIE:** Nie używać urządzeń elektrycznych wewnątrz komór urządzenia do przechowywania żywności, o ile nie są to urządzenia zalecane przez producenta.
- Skontaktować się z serwisem w sprawie utylizacji urządzenia, ponieważ zastosowano w nim łatwopalny gaz.
- W razie uszkodzenia żarówek oświetlenia powinien je wymienić producent, serwisant lub inna wykwalifikowana osoba, aby uniknąć zagrożenia.
- Nie przechowywać w niniejszym urządzeniu substancji wybuchowych, takich jak puszki z łatwopalnym gazem pędym w aerozolu.
- Zamrażarka skrzyniowa nadaje się do użytku w pomieszczeniach nieogrzewanych i na zewnątrz budynku w temperaturze nie mniejszej niż -15°C.
- Ponieważ stosowane są w niej łatwopalne czynniki chłodnicze, należy ją zainstalować, obsługiwać i serwisować ściśle zgodnie z instrukcją i skontaktować się z profesjonalnym przedstawicielem producenta lub naszym serwisem posprzedażnym w sprawie utylizacji urządzenia.
- Przełącznik jest wbudowany w urządzenia wyposażone w oświetlenie. Po otwarciu urządzenia kontrolka włącza się automatycznie i wyłącza automatycznie po jego zamknięciu (nie we wszystkich modelach).
- Regulacja wymaga uziemienia urządzenia.



- Ten symbol na produkcie lub na jego opakowaniu oznacza, że nie należy go traktować tak samo jak odpady domowe. Należy go przekazać odpowiedniemu punktowi zbiórki odpadów w celu poddania recyklingowi wyposażenia elektrycznego i elektronicznego. Zapewniając, że produkt ten jest utylizowany w prawidłowy sposób, można się przyczynić do zapobiegania potencjalnie negatywnym konsekwencjom dla środowiska i zdrowia ludzkiego, jakie mogłyby mieć miejsce w przypadku nieodpowiedniego postępowania się odpadami tego produktu. W celu uzyskania bardziej szczegółowych informacji na temat recyklingu tego produktu należy skontaktować się z lokalnym urzędem miasta, służbami utylizującymi odpady domowe lub sklepem, w którym produkt został zakupiony.
- **OSTRZEŻENIE:** Podczas ustawiania urządzenia należy się upewnić, że kabel zasilający nie jest zaklinowany lub uszkodzony.
- **OSTRZEŻENIE:** Nie umieszczać przedłużaczy z kilkoma gniazdami lub przenośnych zasilaczy przy tylnej części urządzenia.
- Dzieci w wieku od 3 do 8 lat mogą wkładać produkty do urządzeń chłodzących lub je z nich wyjmować.
- To urządzenie jest przeznaczone do używania w gospodarstwach domowych i podobnych zastosowaniach, które wymieniono poniżej:
 - dla personelu w sklepach, biurach i innych środowiskach roboczych;
 - w gospodarstwach rolnych; przez klientów w hotelach, motelach i innych środowiskach mieszkalnych;
 - w środowiskach typu „bed and breakfast”;
 - w ramach usług cateringowych i podobnych zastosowań niezwiązanych ze sprzedażą detaliczną.
- Aby uniknąć zanieczyszczenia żywności, należy przestrzegać poniższych instrukcji:
 - Pozostawienie na dłużej otwartych drzwiczek może spowodować wzrost temperatury w komorach urządzenia.
 - Czyścić regularnie powierzchnie, które mogą mieć kontakt z żywnością i dostępnymi systemami odprowadzania wody.
 - Surowe mięso i ryby należy przechowywać w odpowiednich pojemnikach w zamrażarce, tak aby nie miały one kontaktu z inną żywnością ani nie kapały na nią.
 - Jeśli urządzenie chłodzące zostanie pozostawione puste przez dłuższy czas, należy je wyłączyć, rozmrozić, wyczyścić, wysuszyć i pozostawić drzwiczki otwarte, aby uniknąć rozwoju w urządzeniu pleśni.
- W celu zapewnienia bezpiecznego przechowywania produktów żywnościowych, potrawy błyskawiczne i surowe mięso/ryby należy przechowywać oddzielnie.
- To urządzenie chłodnicze nie jest przeznaczone do użytku jako urządzenie do zabudowy.

DIAGRAMY

RYS. 1.

- A Pokrywa
- B Uszczelka
- C Oświetlenie wewnętrzne (zależnie od wyposażenia)
- D Obudowa
- E Komora wewnętrzna
- F Kratka wentylacyjna
- G Panel sterowania
- H Koszyk
- I Komora sprężarki
- J Sprężarka
- K Wentylator (zależnie od wyposażenia)
- L Skraplacz (zależnie od wyposażenia)
- M Korek odprowadzania wody z procesu rozmrażania

PRZED UŻYCIEM

- Urządzenie to zaprojektowano ściśle z myślą o użytku domowym, wyłącznie do przechowywania żywności.
- Jeśli rozpakowane urządzenie jest uszkodzone, należy skontaktować się ze sprzedawcą.
- Zasilanie sieciowe musi być zgodne z tabliczką znamionową na urządzeniu.

INSTALACJA

- Całkowicie rozpakować urządzenie. Należy upewnić się, że wszystkie materiały opakowaniowe zostały usunięte i odpowiednio usunięte przed instalacją, z dala od zasięgu dzieci.
- Urządzenie należy instalować w suchym, dobrze wentylowanym pomieszczeniu, nie wystawiać na bezpośrednie działanie promieni słonecznych i nie umieszczać w pobliżu źródła ciepła.
- Pozostawić co najmniej 10 cm wolnej przestrzeni pomiędzy urządzeniem a otoczeniem w celu zapewnienia wentylacji i odpowiedniego rozpraszania ciepła.
- Zasilanie energią elektryczną musi być zgodne z podanym na tabliczce znamionowej i z lokalnymi przepisami.
- Zaleca się odczekać co najmniej dwie godziny przed podłączeniem urządzenia po jego instalacji. Pozwala to na ustabilizowanie się czynnika chłodniczego w obiegu.

Urządzenie należy zainstalować w miejscu, w którym temperatura otoczenia odpowiada klasie klimatycznej wskazanej na tabliczce znamionowej urządzenia:

Klasa klimatyczna	Temperatura otoczenia
SN	od +10°C do 32°C
N	od +16°C do 32°C
ST	od +16°C do 38°C

URUCHOMIENIE

1. Włożyć wtyczkę do gniazdka. Wszystkie wskaźniki zaświecą się i gasną. Następnie wyświetlana jest temperatura.
2. Odczekać godzinę, aż temperatura wewnątrz urządzenia spadnie, a następnie umieścić żywność w urządzeniu.

USTAWIANIE TEMPERATURY

Nacisnąć (2) do regulacji temperatury.

Zaleca się ustawienie temperatury na -18°C

USTAWIANIE FUNKCJI (zależnie od wyposażenia)

Nacisnąć (1), aż zaświeci się lampka (4), aby włączyć funkcję Super Freeze.

Funkcja Fast Freeze zostanie automatycznie wyłączona po 71 godzinach w celu oszczędzania energii. Zużycie energii wzrośnie, gdy ta funkcja jest włączona. Podczas funkcji Fast Freeze temperatura w zamrażarce będzie wynosić -26 ° C.

Nacisnąć (3) na 3 sekundy, aby zablokować/odblokować panel sterowania.

MROŻENIE ŻYWNOŚCI

- Owinąć lub zapakować szczelnie żywność w folię aluminiową lub szczelne pojemniki przed zamrożeniem.
- Przed włożeniem gorącej żywności do urządzenia należy odczekać, aż ostygnie.
- Mniejsza porcja żywności zostanie zamrożona szybciej. Zalecana maksymalna waga porcji to 2,5 kg.
- Unikać bezpośredniego kontaktu ciepłej żywności z już zamrożoną żywnością. Zamrożona żywność mogłaby się rozmrozić i nie dotrzeć do przewidywanego momentu spożycia jej.
- Pojemność urządzenia wskazana na tabliczce znamionowej nie powinna być przekraczana.
- Podczas napełniania urządzenia większą ilością świeżej żywności zaleca się włączenie funkcji Super Freeze (zależnie od wyposażenia) z 53-godzinym wyprzedzeniem.
- Czas przechowywania zakupionych głęboko mrożonych produktów może być różny w zależności od rodzaju produktu i jego opakowania. Dlatego należy ściśle przestrzegać instrukcji od producenta podanej na opakowaniu.

CZYSZCZENIE I KONSERWACJA

- Przed przystąpieniem do konserwacji lub czyszczenia urządzenia należy zawsze się upewnić, że zasilanie jest wyłączone.
- Jeśli urządzenie nie będzie używane przez dłuższy czas, należy pozostawić je otwarte, aby zapobiec gromadzeniu się w nim nieprzyjemnych zapachów.
- Aby zapewnić bezpieczne przechowywanie środków spożywczych, należy przestrzegać niniejszej instrukcji obsługi. Szczegóły zamieszczono poniżej.

- Czyścić wnętrze zamrażarki co najmniej raz w roku. Użyć ciepłej wody i roztworu sody oczyszczonej – mniej więcej jedną łyżkę stołową sody oczyszczonej na litr/kwartę wody. Przepłukać obficie wodą i wytrzeć do sucha. Nie należy używać proszków czyszczących ani innych środków czyszczących o właściwościach ściernych. Nie myć zdejmowanych części w zmywarce do naczyń.
- Nie używać ostrych środków chemicznych, ściernych, amoniaku, wybielaczy, skoncentrowanych detergentów, rozpuszczalników ani czyścików metalowych. Niektóre z tego typu chemikaliów mogą rozpuścić, uszkodzić i/lub odbarwić zamrażarkę.
- Nigdy nie używać metalowych czyścików, szczotek, środków ściernych, roztworów alkalicznych lub innych środków czyszczących na żadnej powierzchni.
- Czyścić uszczelkę drzwiczek co trzy miesiące zgodnie z instrukcją obsługi. Uszczelki muszą być utrzymywane w czystości i muszą być elastyczne, aby zapewnić prawidłowe uszczelnienie. W przypadku takich miejsc jak łączenia, szczeliny, otwory itp. można użyć takich prostych narzędzi jak miękkie szczotki. W razie potrzeby wyjmowane półki, tace, szuflady i podobne akcesoria można czyścić po wyjęciu ich z urządzenia, myjąc w misce.

Odszranianie

Urządzenie należy rozmrozić, gdy grubość lodu na ścianach osiągnie 5 – 6 mm.

Nie należy używać żadnych przedmiotów elektrycznych, ostrych ani mechanicznych w celu przyspieszenia procesu usuwania lodu, chyba że zostały dostarczone lub zatwierdzone przez producenta bądź autoryzowane centrum serwisowe.

Aby usunąć lód ze ścian wewnętrznych, należy użyć skrobaka z tworzywa sztucznego lub drewna bez ostrych krawędzi. Nigdy nie używać metalowej skrobaczki.

Należy postępować w następujący sposób:

1. Pamiętać, aby odłączyć urządzenie od zasilania.
2. Dokładnie osuszyć ręce, aby zapobiec uszkodzeniu skóry w wyniku kontaktu z lodem (zaleca się stosowanie rękawic).
3. Wyjąć zamrożoną żywność z urządzenia, włożyć ją do pojemnika lub przenośnej lodówki, umieścić kawałki/kostki lodu na wierzchu zamrożonej żywności, aby utrzymać ją w bardzo niskiej temperaturze, a następnie umieścić pojemnik lub lodówkę przenośną w chłodnym i suchym pomieszczeniu.
4. Wyciągnąć korek spustowy do wody (zależnie od wyposażenia) znajdujący się na dnie urządzenia. W przeciwnym razie należy wytrzeć stopioną wodę znajdującą się na dnie komory urządzenia gąbką lub ręcznikiem.
5. Ostrożnie zeszkobać lód z wnętrza urządzenia i włożyć do zlewu kuchennego w celu rozmrożenia go.
6. Dokładnie wyczyścić wnętrze komory urządzenia, przepłukać ciepłą wodą i usunąć rozlaną żywność lub płyny.

7. Wytrzeć urządzenie do sucha chłonną szmatką lub gąbką i pozostawić na powietrzu przez około 3 – 4 minuty.
8. Włożyć korek spustowy (zależnie od wyposażenia) na miejsce.
9. Zamknąć drzwiczki urządzenia, włożyć wtyczkę do gniazdka i włączyć urządzenie.
10. Teraz można ponownie napełnić zamrażarkę.

Aby zapobiec rozmrożeniu zamrożonej żywności, należy przeprowadzić procedurę rozmrażania w ciągu maksymalnie dwóch godzin, aby zmniejszyć wzrost temperatury zamrożonej żywności, który skróciłby okres jej przechowywania.

ROZWIĄZYWANIE PROBLEMÓW

1. Trudno otworzyć drzwiczki?

Po zamknięciu drzwiczek może być trudne ich ponowne otwarcie przez kilka minut. Jest to normalne i oznacza, że uszczelka drzwiczek działa prawidłowo. Wystarczy poczekać kilka minut i będzie można łatwo otworzyć drzwiczki.

2. Brak działania (urządzenie nie działa/chłodzi)

- Wystąpiła awaria zasilania?
- Czy wtyczka jest w nienaruszonym stanie i prawidłowo podłączona do gniazdka?

3. Urządzenie nie działa dostatecznie/świeci się wskaźnik „HH”

- Czy pokrywa urządzenia jest prawidłowo zamknięta?
- Czy na ścianach wewnętrznych tworzy się duża ilość lodu?
- Czy urządzenie jest wystawione na bezpośrednie działanie promieni słonecznych lub źródła ciepła?
- Czy do urządzenia włożono zbyt dużo ciepłych potraw?
- Klasę klimatyczną można znaleźć na tabliczce znamionowej z tyłu urządzenia. Podano na niej temperaturę otoczenia, w której urządzenie będzie działać prawidłowo.

Klasa klimatyczna	Temperatura otoczenia
SN	od +10°C do 32°C
N	od +16°C do 32°C
ST	od +16°C do 38°C

4. Urządzenie głośnie pracuje.

Hałas urządzenia jest generowany podczas pracy silnika sprężarki, a także przez czynnik chłodniczy przepływający w obwodzie układu chłodzenia. Jest to zjawisko normalne.

5. **Na ścianach zewnętrznych tworzą się skropliny.** W pewnych warunkach atmosferycznych na zewnętrznych ścianach urządzenia mogą tworzyć się skropliny. Jest to zjawisko normalne, które nie ma wpływu na działanie urządzenia.

OBSŁUGA POSPRZEDAŻOWA

1. Samodzielne rozwiązywanie usterek

Jeśli podejrzewa się jakąkolwiek usterkę, przed skontaktowaniem się z obsługą posprzedażową bezpośrednio lub przez dealera, należy się upewnić, że przestrzegane są wszelkie instrukcje i wskazówki zamieszczone w niniejszej instrukcji.

2. Obsługa posprzedażowa

Zapoznać się z dołączoną kartą gwarancyjną w celu sprawdzenia dostępnych usług posprzedażowych.

Aby uzyskać natychmiastową pomoc, należy się upewnić, iż dysponuje się wszelkimi danymi pozwalającymi na zidentyfikowanie posiadanego urządzenia:

- ✓ Marka urządzenia
- ✓ Model
- ✓ Numer seryjny
- ✓ Problem lub przyczyna
- ✓ Data zakupu
- ✓ Zakupiono od/dostawca

Aby skontaktować się z pomocą techniczną, odwiedź naszą stronę internetową:

<https://corporate.haier-europe.com/en/>.

W sekcji „website” wybierz markę swojego produktu i swój kraj. Zostaniesz przekierowany na konkretną stronę internetową, na której znajdziesz numer telefonu i formularz do kontaktu z pomocą techniczną.

DOSTĘPNOŚĆ CZĘŚCI ZAMIENNYCH

Termostaty, czujniki temperatury, płytki obwodów drukowanych przez okres co najmniej siedmiu lat od wprowadzenia do obrotu ostatniego egzemplarza danego modelu. klamki, zawiasy do drzwi, tace i koszyki przez okres co najmniej siedmiu lat oraz uszczelki drzwiowe przez okres co najmniej 10 lat od wprowadzenia do obrotu ostatniego egzemplarza danego modelu.

GWARANCJI

Minimalny okres gwarancji: Kraje UE – 2 lata, Turcja – 3 lata, Wielka Brytania – rok, Rosja – rok, Szwecja – 3 lata, Serbia – 2 lata, Norwegia – 5 lat, Maroko – rok, Algieria – 6 miesięcy, Tunezja – gwarancja prawna nie jest wymagana.

ŚRODKI OSTROŻNOŚCI

- Jeśli zamierza się wyrzucić urządzenie, należy wymontować z niego drzwiczki i pozostawić półki na miejscu. Zmniejszy to ryzyko zagrożenia dla dzieci. Łatwopalną pianę powinni usuwać specjaliści.

WSKAZÓWKI DOTYCZĄCE OSZCZĘDZANIA ENERGII

- Po pewnym czasie działania urządzenia na jego ścianach wewnętrznych tworzy się warstwa mrozu lub lodu. Zwiększa to zużycie energii. Aby zaoszczędzić energię i utrzymać najwyższą wydajność zamrażarki, należy regularnie ją rozmrażać. Patrz rozdział „Rozmrażanie” w instrukcji obsługi.

DEKLARACJA ZGODNOŚCI

Producent produktu opisanego/produktów opisanych w niniejszym dokumencie, do którego/których odnosi się niniejszy opis, oświadcza na swoją wyłączną odpowiedzialność, że produkt/produkty spełnia/spełniają odpowiednie podstawowe wymagania w zakresie bezpieczeństwa, zdrowia i ochrony, określone w przepisach prawa brytyjskiego i unijnego oraz że odpowiednie raporty z badań są dostępne do zbadania przez właściwe organy oraz mogą być wymagane od sprzedawcy urządzenia, w szczególności w odniesieniu do deklaracji zgodności CE wydanej przez producenta lub za zgodą producenta.

Ponadto producent oświadcza, że opisane w niniejszej instrukcji obsługi części urządzenia, które mają kontakt ze świeżą żywnością, nie zawierają żadnych substancji toksycznych.


Producent stale pracuje nad dalszym rozwojem wszystkich swoich produktów. Należy zatem pamiętać o tym, że jego kształt, konfiguracja i technologia mogą ulec zmianie bez uprzedniego powiadomienia.

Więcej informacji na temat produktu można znaleźć na stronie <https://eprel.ec.europa.eu/> lub zeskanować QR na etykiecie energetycznej dostarczonej z urządzeniem.

LOW FROST

Ze względu na moduł Low Frost suche powietrze dostaje się do wnętrza, zapewniając ograniczenie tworzenia się lodu.

ΠΡΟΦΥΛΑΞΕΙΣ

- Η συσκευή αυτή μπορεί να χρησιμοποιηθεί από παιδιά ηλικίας 8 ετών και άνω και από άτομα με μειωμένες σωματικές, αισθητηριακές ή διανοητικές ικανότητες ή έλλειψη εμπειρίας και γνώσης, εάν τους έχει δοθεί υπερρόραση ή οδηγίες σχετικά με τη χρήση της συσκευής με ασφαλή τρόπο και έχουν κατανοήσει τους σχετικούς κινδύνους.
- Τα παιδιά δεν θα πρέπει να παίζουν με την συσκευή.
- Ο καθαρισμός και η συντήρηση από τον χρήστη δεν θα πρέπει να γίνεται από παιδιά χωρίς επίβλεψη.
- Η συσκευή πρέπει να είναι τοποθετημένη έτσι ώστε το βύσμα να είναι προσβάσιμο.
- Εάν έχει προκληθεί ζημιά στο καλώδιο τροφοδοσίας, πρέπει να αντικατασταθεί από τον κατασκευαστή, τον εξουσιοδοτημένο τεχνικό του ή άτομα με παρόμοια τεχνική κατάρτιση έτσι ώστε να αποφευχθεί οποιοσδήποτε κίνδυνος.
- **ΠΡΟΕΙΔΟΠΟΙΗΣΗ:** Διατηρήστε ελεύθερα και χωρίς εμπόδια τα ανοίγματα εξαερισμού που υπάρχουν στον χώρο της συσκευής ή στην κατασκευή εντοιχισμού.
- **ΠΡΟΕΙΔΟΠΟΙΗΣΗ:** Μην χρησιμοποιείτε μηχανικές συσκευές ή άλλο εξοπλισμό για να επιταχύνετε την διαδικασία απόψυξης, διαφορετικά από εκείνα που συνιστώνται από τον κατασκευαστή.
- **ΠΡΟΕΙΔΟΠΟΙΗΣΗ:** Μην προκαλείτε ζημιά στο κύκλωμα του ψυκτικού αερίου.
- **ΠΡΟΕΙΔΟΠΟΙΗΣΗ:** Μην χρησιμοποιείτε ηλεκτρικές συσκευές μέσα στους χώρους αποθήκευσης των τροφίμων της συσκευής, εκτός εάν είναι του συνιστώμενου τύπου από τον κατασκευαστή.
- Επικοινωνήστε με τον αντιπρόσωπο σέρβις για να απορρίψετε τη συσκευή επειδή χρησιμοποιήθηκε το εύφλεκτο αέριο.
- Εάν οι λαμπτήρες φωτισμού είναι κατεστραμμένοι, πρέπει να αντικατασταθούν από τον κατασκευαστή, τον αντιπρόσωπό του ή από παρόμοια πιστοποιημένα άτομα, προκειμένου να αποφευχθεί ο κίνδυνος.
- Μην αποθηκεύετε σε αυτή την συσκευή εκρηκτικές ουσίες όπως δοχεία αεροζόλ με εύφλεκτο προωθητικό.
- Καταψύκτης θώρακος κατάλληλος για χρήση σε μη θερμαινόμενους θαλάμους και σε κτίρια εξωτερικού χώρου σε θερμοκρασία τουλάχιστον -15°C.
- Εφόσον χρησιμοποιούνται τα εύφλεκτα ψυκτικά μέσα, εγκαταστήστε, χειριστείτε και επισκευάστε τη συσκευή αυστηρά σύμφωνα με τις οδηγίες και επικοινωνήστε με τον επαγγελματία αντιπρόσωπο ή την υπηρεσία εξυπηρέτησης μετά την πώληση για την απόρριψη της συσκευής.
- Ένας διακόπτης είναι ενσωματωμένος σε συσκευές εξοπλισμένες με φωτισμό. Όταν η συσκευή είναι ανοιχτή, το φως ανάβει αυτόματα και σβήνει αυτόματα όταν είναι κλειστή. (δεν παρέχεται σε όλα τα μοντέλα)
- Ο κανονισμός απαιτεί γείωση της συσκευής.
- Το  σύμβολο στο προϊόν ή στη συσκευασία του υποδεικνύει ότι το προϊόν αυτό δεν πρέπει να αντιμετωπίζεται ως οικιακό απόβλητο. Αντ' αυτού, παραδίδεται στο εφαρμοστέο σημείο συλλογής για την ανακύκλωση ηλεκτρικού και ηλεκτρονικού εξοπλισμού. Διασφαλίζοντας ότι αυτό το προϊόν απορρίπτεται σωστά, θα συμβάλλετε στην αποτροπή πιθανών αρνητικών συνεπειών για το περιβάλλον και την ανθρώπινη υγεία, οι οποίες σε αντίθετη περίπτωση θα μπορούσαν να προκληθούν από ακατάλληλη απόρριψη αυτού του προϊόντος. Για πιο αναλυτικές πληροφορίες σχετικά με την ανακύκλωση αυτού του προϊόντος, επικοινωνήστε με το τοπικό γραφείο της πόλης σας, την υπηρεσία διάθεσης οικιακών απορριμμάτων ή το κατάστημα όπου αγοράσατε το προϊόν.
- **ΠΡΟΕΙΔΟΠΟΙΗΣΗ:** Όταν τοποθετείτε τη συσκευή, βεβαιωθείτε ότι το καλώδιο τροφοδοσίας δεν έχει παγιδευτεί ή έχει υποστεί ζημιά.
- **ΠΡΟΕΙΔΟΠΟΙΗΣΗ:** Μην τοποθετείτε πολλαπλές φορητές πρίζες ή φορητές συσκευές παροχής ενέργειας στο πίσω μέρος της συσκευής.
- Παιδιά ηλικίας από 3 έως 8 ετών επιτρέπεται να βάζουν και να αφαιρούν πράγματα σε συσκευές ψύξης.
- Αυτή η συσκευή προορίζεται να χρησιμοποιηθεί σε οικιακές και παρόμοιες εφαρμογές όπως:
 - την περιοχή της κουζίνας για το προσωπικό σε καταστήματα, γραφεία και άλλα περιβάλλοντα εργασίας
 - αγροτικές και από πελάτες σε ξενοδοχεία, μοτέλ και άλλα περιβάλλοντα κατοικιών
 - περιβάλλοντα τύπου bed and breakfast
 - τροφοδοσία και παρόμοιες μη λιανικές εφαρμογές.
- Για να αποφύγετε τη μόλυνση των τροφίμων, σας παρακαλούμε να τηρήσετε τις παρακάτω οδηγίες:
 - Το άνοιγμα της πόρτας για μεγάλες χρονικές περιόδους μπορεί να προκαλέσει σημαντική αύξηση της θερμοκρασίας στους θαλάμους της συσκευής.
 - Καθαρίστε τακτικά τις επιφάνειες που μπορούν να έρθουν σε επαφή με τα τρόφιμα και τα προσβάσιμα συστήματα αποστράγγισης.
 - Αποθηκεύετε το νωπό κρέας και τα ψάρια σε κατάλληλους περιέκτες στην κατάψυξη, έτσι ώστε να μην έρχονται σε επαφή με άλλα τρόφιμα ή να μην στάζουν πάνω σε αυτά.
 - Εάν η συσκευή του ψυγείου παραμένει ανοικτή για μεγάλο χρονικό διάστημα, σβήστε την, ξεπαγώστε την, καθαρίστε την, στεγνώστε την και αφήστε την πόρτα ανοικτή για να αποφύγετε την ανάπτυξη μούχλας μέσα στη συσκευή.
- Για να εξασφαλιστεί η ασφαλής συντήρηση των τροφίμων, τα στιγμιαία τρόφιμα και το ωμό κρέας/ ψάρι αποθηκεύονται χωριστά.
- η παρούσα ψυκτική συσκευή δεν προορίζεται να χρησιμοποιηθεί ως εντοιχιζόμενη συσκευή.

ΔΙΑΓΡΑΜΜΑΤΑ

FIG1.

- A Καπάκι
- B Φλάντζα
- C Εσωτερικό φως (εάν υπάρχει)
- D Ντουλάπι
- E Αποθηκευτικός χώρος
- F Γρίλια εξαερισμού
- G Πίνακας ελέγχου
- H Καλάθι
- I Θάλαμος συμπίεστη
- J Συμπιεστής
- K Ανεμιστήρας (εάν υπάρχει)
- L Bock συμπυκνωτής (εάν υπάρχει)
- M Αποστραγγιστικό βύσμα νερού

ΠΡΙΝ ΤΗ ΧΡΗΣΗ

- Αυτή η συσκευή προορίζεται αποκλειστικά για οικιακή χρήση, μόνο για την αποθήκευση τροφίμων.
- Εάν η αποσυσκευασμένη συσκευή έχει υποστεί ζημιά, επικοινωνήστε με τον έμπορό σας.
- Η παροχή ηλεκτρικού ρεύματος από το δίκτυο πρέπει να συμμορφώνεται με την πινακίδα της συσκευής.

ΕΓΚΑΤΑΣΤΑΣΗ

- Ξεπακετάρετε πλήρως τη συσκευή. Βεβαιωθείτε ότι όλα τα υλικά συσκευασίας έχουν αφαιρεθεί και η ιδιοκτησία έχει απορριφθεί πριν από την εγκατάσταση και φυλάσσεται μακριά από παιδιά.
- Η συσκευή πρέπει να τοποθετηθεί σε ξηρό, καλά αεριζόμενο δωμάτιο και να μην εκτίθεται σε άμεσο ηλιακό φως και να μην τοποθετείται κοντά σε πηγή θερμότητας.
- Αφήστε απόσταση τουλάχιστον 10cm μεταξύ της συσκευής και του περιβάλλοντός της για αερισμό και διάχυση θερμότητας.
- Η παροχή ηλεκτρικού ρεύματος πρέπει να συμμορφώνεται με τις προδιαγραφές της πινακίδας και να τηρεί τους τοπικούς κανονισμούς.
- Συνιστάται να περιμένετε τουλάχιστον δύο ώρες πριν συνδέσετε τη συσκευή μετά την εγκατάσταση. Αυτό βοηθά το κύκλωμα ψύξης να σταθεροποιηθεί.

Τοποθετήστε τη συσκευή σε σημείο όπου η θερμοκρασία του περιβάλλοντος αντιστοιχεί στην κλιματική κλάση που αναγράφεται στην πινακίδα της συσκευής. Για ψυκτικές συσκευές με κλιματική κλάση:

Κλιματική κατηγορία	Θερμοκρασία περιβάλλοντος
SN	+10°C έως 32°C
N	+16°C έως 32°C
ST	+16°C έως 38°C

ΕΚΚΙΝΗΣΗ

1. Τοποθετήστε το βύσμα στην πρίζα. Όλες οι ενδείξεις ανάβουν και σβήνουν. Και μετά εμφανίζεται η θερμοκρασία.

2. Αφήστε να περάσει μία ώρα μέχρι να πέσει η θερμοκρασία στο εσωτερικό της συσκευής και στη συνέχεια τοποθετήστε τα τρόφιμα μέσα στη συσκευή

ΡΥΘΜΙΣΗ ΘΕΡΜΟΚΡΑΣΙΑΣ

Καρφίτσες (2) για ρύθμιση της θερμοκρασίας. Προτείνεται η ρύθμιση της θερμοκρασίας στους -18°C

ΡΥΘΜΙΣΗ ΛΕΙΤΟΥΡΓΙΑΣ (εάν υπάρχει)

Πίστε (1) έως (4) για να ενεργοποιήσετε τη λειτουργία Super Freeze.

Η λειτουργία Fast Freeze θα απενεργοποιηθεί αυτόματα μετά από 71 ώρες για εξοικονόμηση ενέργειας. Η κατανάλωση ενέργειας θα αυξηθεί όταν αυτή η λειτουργία είναι ενεργοποιημένη.

Κατά τη λειτουργία Fast Freeze, η θερμοκρασία στον καταψύκτη θα είναι -26 °C

Πατήστε (3) για 3 δευτερόλεπτα για να κλειδώσετε/ξεκλειδώσετε τον πίνακα ελέγχου.

ΚΑΤΑΨΥΞΗ ΤΡΟΦΙΜΩΝ

- Τυλίξτε ή σφραγίστε τα τρόφιμα σε αλουμινοχαρτο, αεροστεγείς περιέκτες του προϊσταμένου αποθήκευσης τροφίμων πριν από την κατάψυξη.
- Αφήστε το ζεστό φαγητό να κρυώσει πριν το τοποθετήσετε στη συσκευή.
- Μικρότερη μερίδα τροφίμων θα καταψύχεται γρηγορότερα. Το συνιστώμενο μέγιστο βάρος μερίδας είναι 2,5 kg.
- Αποφύγετε την απευθείας επαφή ζεστών τροφίμων με ήδη κατεψυγμένα τρόφιμα. Κατεψυγμένα τρόφιμα Το Gould αποψύχεται και ενδέχεται να μην υπερβεί τον προβλεπόμενο χρόνο αποθήκευσης.
- Η χωρητικότητα της συσκευής, όπως φαίνεται στην πινακίδα, δεν πρέπει να υπερβαίνεται.
- Όταν γεμίζετε τη συσκευή με υψηλότερες ποσότητες φρέσκου φαγητού, συνιστάται να κάνετε tutu στη λειτουργία Super Freeze (εάν είναι διαθέσιμη) 53 ώρες νωρίτερα.
- Η άσβεστος αποθήκευσης για τα προϊόντα βαθείας κατάψυξης που αγοράζονται ποικίλλει και εξαρτάται από το είδος του προϊόντος και τη συσκευασία του. Ως εκ τούτου, τηρείτε αυστηρά τις οδηγίες του παραγωγού/κατασκευαστή στη συσκευασία.

ΚΑΘΑΡΙΣΜΟΣ ΚΑΙ ΣΥΝΤΗΡΗΣΗ

- Βεβαιωθείτε πάντα ότι η παροχή ρεύματος είναι απενεργοποιημένη πριν από τη διεξαγωγή οποιασδήποτε συντήρησης ή καθαρισμού της συσκευής.
- εάν αφήσετε τη συσκευή σας εκτός χρήσης για μεγάλο χρονικό διάστημα, αφήστε την ανοιχτή για να αποφύγετε τη συσσώρευση οσμών και δυσάρεστων οσμών στο εσωτερικό της.
- Για να διασφαλίσετε τη συντήρηση των τροφίμων, παρακαλούμε ακολουθήστε τις παρούσες οδηγίες για να χρησιμοποιείτε και να καθαρίζετε τακτικά τον καταψύκτη. Η λεπτομέρεια είναι όπως φαίνεται στο κάτω μέρος.

- Καθαρίζετε το εσωτερικό του καταψύκτη σας τουλάχιστον μία φορά το χρόνο. Χρησιμοποιήστε ζεστό νερό και διάλυμα μαγειρικής σόδας -για μια κουταλιά της σούπας μαγειρικής σόδας σε λίτρο/λίτρο νερού. Ξεπλύνετε καλά με νερό και σκουπίστε καλά. Μη χρησιμοποιείτε σκόνες καθαρισμού ή άλλα λειαντικά καθαριστικά. Μην πλένετε τα αφαιρούμενα μέρη σε πλυντήριο πιάτων.
- Μην χρησιμοποιείτε σκληρά χημικά, λειαντικά, αμμωνία, χλωρίνη, συμπυκνωμένα απορροπαντικά, διαλύτες ή επιθέματα καθαρισμού μετάλλων. Ορισμένες από αυτές τις χημικές ουσίες μπορεί να διαλύσουν, να βλάψουν ή/και να αποχρωματίσουν τον καταψύκτη σας.
- Μην χρησιμοποιείτε ποτέ μεταλλικά επιθέματα καθαρισμού, βούρτσες, λειαντικά, καθαριστικά ή αλκαλικά διαλύματα σε οποιαδήποτε επιφάνεια.
- Καθαρίζετε την φλάντζα της πόρτας κάθε τρεις μήνες σύμφωνα με τις εσωτερικές οδηγίες του πρύτανη. Οι φλάντζες πρέπει να διατηρούνται καθαρές και εύκαμπτες για να εξασφαλίζεται η σωστή σφράγιση. Για τις θέσεις, όπως αρμοί, εγκοπές, τρύπες και ούτω καθεξής, μπορούν να χρησιμοποιηθούν τα απλά εργαλεία για τον καθαρισμό, όπως μαλακές βούρτσες. Εάν χρειάζεται, τα αποσπώμενα ράφια, οι δίσκοι, τα συρτάρια και παρόμοια αξεσουάρ μπορούν να καθαριστούν με αφαίρεση από τη συσκευή και να πλυθούν σε λεκάνη.

Εξουδετέρωση της πάχνης

Η συσκευή πρέπει να αποψυχθεί μόλις το πάχος του πάγου στους τοίχους φτάσει τα 5-6 mm.

Μην χρησιμοποιείτε ηλεκτρικά, αιχμηρά ή μηχανικά αντικείμενα για να βοηθήσετε στην απόψυξη της διαδικασίας αφαίρεσης πάγου, εκτός εάν παρέχεται ή εγκρίνεται από τον κατασκευαστή ή το εγκεκριμένο κέντρο σέρβις.

Για να αφαιρέσετε τον πάγο από τα εσωτερικά τοιχώματα, χρησιμοποιήστε μια πλαστική ξύστρα ή ξύστρα ξύλου χωρίς αιχμηρές άκρες. Ποτέ μην χρησιμοποιείτε μεταλλική ξύστρα.

Συνεχίστε ως εξής:

1. Βεβαιωθείτε ότι έχετε αποσυνδέσει τη συσκευή από την πρίζα.
 2. Στεγνώστε καλά τα χέρια σας για να αποφύγετε δερματική βλάβη από την επαφή με πάγο (συνιστάται η χρήση γαντιών).
 3. Αφαιρέστε όλα τα κατεψυγμένα τρόφιμα από τη συσκευή, τοποθετήστε τα σε ένα δοχείο, ψύξτε το κουτί, τοποθετήστε τα κατεψυγμένα μπλοκ ψύξης πάνω από τα κατεψυγμένα τρόφιμα για να τα διατηρήσετε πολύ κρύα και τοποθετήστε το δοχείο ή το ψυγείο σε ένα δροσερό, ξηρό δωμάτιο.
 4. Τραβήξτε το βύσμα αποστράγγισης νερού (εάν είναι διαθέσιμο) που βρίσκεται στο κάτω μέρος της συσκευής. Διαφορετικά, πρέπει να σκουπίσετε το νερό που λιώνει στο κάτω μέρος του χώρου της συσκευής με σφουγγάρι ή πετσέτα.
 5. Καθαρίστε προσεκτικά τον πάγο από το εσωτερικό της συσκευής και τοποθετήστε τον στο νεροχύτη της κουζίνας σας, για απόψυξη.
6. Καθαρίστε σχολαστικά το εσωτερικό του θαλάμου της συσκευής, ξεπλύνετε το με ζεστό νερό και απομακρύνετε τυχόν χυμένα τρόφιμα ή υγρά.
 7. Σκουπίστε τη συσκευή με απορροφητικό πανί ή σφουγγάρι καλά στεγνώστε και αφήστε τη να αναπνεύσει για περίπου 3 έως 4 λεπτά.
 8. Αντικαταστήστε το βύσμα παροχέτευσης (εάν είναι διαθέσιμο).
 9. Κλείστε την πόρτα της συσκευής, αντικαταστήστε το βύσμα στην πρίζα και ενεργοποιήστε τη συσκευή.
 10. Τώρα ξαναγέμισε το κατεψυγμένο φαγητό.

Για να αποφευχθεί η απόψυξη κατεψυγμένων τροφίμων, εκτελέστε τη διαδικασία απόψυξης εντός δύο ωρών κατ'ανώτατο όριο για να μειώσετε τη σημαντική αύξηση της θερμοκρασίας των κατεψυγμένων τροφίμων που θα μείωνε τη διάρκεια αποθήκευσης.

ΑΝΤΙΜΕΤΩΠΙΣΗ ΠΡΟΒΛΗΜΑΤΩΝ

1. Δύσκολο να ανοίξετε την πόρτα;

Μετά το κλείσιμο της πόρτας μπορεί να είναι δύσκολο να την ανοίξετε ξανά για λίγα λεπτά. Αυτό είναι φυσιολογικό και σημαίνει ότι το σφράγισμα της πόρτας λειτουργεί σωστά. Περιμένετε λίγα λεπτά και θα μπορέσετε να ανοίξετε την πόρτα εύκολα.

2. Καμία λειτουργία (η συσκευή δεν λειτουργεί/κρυώνει)

- Υπάρχει διακοπή ρεύματος;
- Είναι το βύσμα σε καλή κατάσταση και σωστά συνδεδεμένο στην πρίζα;

3. Η συσκευή δεν λειτουργεί επαρκώς/το "HH" είναι ενεργοποιημένο

- έχει κλείσει σωστά το καπάκι της συσκευής;
- Υπάρχει βαρύς σχηματισμός πάγου στους εσωτερικούς τοίχους;
- Εκτίθεται η συσκευή σε άμεσο ηλιακό φως ή πηγή θερμότητας;
- Έχουν τοποθετηθεί πολλά ζεστά φαγητά στη συσκευή;
- Η κλιματική κλάση βρίσκεται στην ετικέτα διαβάθμισης στο πίσω μέρος της συσκευής. Καθορίζει τις θερμοκρασίες περιβάλλοντος στις οποίες θα λειτουργεί σωστά η συσκευή.

Κλιματική κλάση	Θερμοκρασία περιβάλλοντος
SN	+10 °C έως 32 °C
N	+16 °C έως 32 °C
ST	+16 °C έως 38 °C

4. Η συσκευή κάνει θόρυβο.

Ο θόρυβος αυτός παράγεται όταν λειτουργεί ο κινητήρας του συμπιεστή και επίσης από τη ροή ψυκτικού μέσου στο κύκλωμα του συστήματος ψύξης. Οι θόρυβοι αυτοί είναι φυσιολογικοί.

5. Συγκέντρωση συμπύκνωσης σε εξωτερικούς τοίχους

Υπό ορισμένες ατμοσφαιρικές συνθήκες, η συμπύκνωση μπορεί να προέλθει από εξωτερικούς τοίχους της συσκευής. Αυτό είναι φυσιολογικό και δεν θα επηρεάσει τη λειτουργία της συσκευής.

ΕΞΥΠΗΡΕΤΗΣΗ ΜΕΤΑ ΤΗΝ ΠΩΛΗΣΗ

1. Επίλυση σφαλμάτων από τον εαυτό σας

Εάν υποπτεύεστε οποιοδήποτε σφάλμα, πριν επικοινωνήσετε με την εγκεκριμένη υπηρεσία εξυπηρέτησης μετά την πώληση απευθείας ή μέσω του αντιπροσώπου σας, βεβαιωθείτε ότι έχετε τηρήσει όλες τις οδηγίες και τις συμβουλές σε αυτό το εγχειρίδιο χρήσης.

2. Υπηρεσία μεταπωλήσεων-πωλήσεων

Συμβουλευτείτε την εσώκλειστη κάρτα εγγύησης για τις διαθέσιμες υπηρεσίες μετά την πώληση.

Για να λάβετε άμεση βοήθεια, βεβαιωθείτε ότι έχετε έτοιμα τα ακόλουθα βασικά δεδομένα για την αναγνώριση της συσκευής σας:

- ✓ Μάρκα συσκευής
- ✓ Μοντέλο
- ✓ Σειριακός αριθμός
- ✓ Το πρόβλημα ή η αιτία
- ✓ Ημερομηνία αγοράς
- ✓ Αγοράστηκε από/προμηθευτή

Για να επικοινωνήσετε με την τεχνική βοήθεια, επισκεφθείτε τον ιστότοπό μας:

<https://corporate.haier-europe.com/en/>.

Στην ενότητα "websites", επιλέξτε τη μάρκα του προϊόντος σας και τη χώρα σας. Θα ανακατευθυνθείτε στον συγκεκριμένο ιστότοπο όπου μπορείτε να βρείτε τον αριθμό τηλεφώνου και τη φόρμα για να επικοινωνήσετε με την τεχνική βοήθεια.

ΔΙΑΘΕΣΙΜΟΤΗΤΑ ΑΝΤΑΛΛΑΚΤΙΚΩΝ ΜΕΡΩΝ

Οι θερμοστάτες, οι αισθητήρες θερμοκρασίας, οι πλακέτες τυπωμένων κυκλωμάτων και οι πηγές φωτός διατίθενται για τουλάχιστον επτά χρόνια μετά την κυκλοφορία του τελευταίου τμήματος του μοντέλου λαβές πορτών, λαβές πορτών, ράφια και καλάθια για ελάχιστη περίοδο επτά ετών και στεγανοποιήσεις πορτών για ελάχιστη περίοδο 10 ετών, διαθέτοντας το τελευταίο μέρος του μοντέλου στην αγορά.

ΕΓΓΥΗΣΗ

Η ελάχιστη εγγύηση είναι: 2 έτη για τις χώρες της ΕΕ, 3 έτη για την Τουρκία, 1 έτος για το Ηνωμένο Βασίλειο, 1 έτος για τη Ρωσία, 3 έτη για τη Σουηδία, 2 έτη για τη Σερβία, 5 έτη για τη Νορβηγία, 1 έτος για το Μαρόκο, 6 μήνες για την Αλγερία, στην Τυνησία δεν απαιτείται νομική εγγύηση.

ΠΡΟΦΥΛΑΞΕΙΣ

- Εάν το ντουλάπι σας πρόκειται να απορριφθεί, πρέπει να αφαιρέσετε την πόρτα και να αφήσετε τα ράφια στη θέση τους. Αυτό θα μειώσει την πιθανότητα κινδύνου για τα παιδιά. Και ο εύφλεκτος αφρός πρέπει να απορρίπτεται από επαγγελματίες.

ΤΙΣ ΕΞΟΙΚΟΝΟΜΗΣΗΣ ΕΝΕΡΓΕΙΑΣ

- Αφού η συσκευή τεθεί σε λειτουργία για κάποιο χρονικό διάστημα, θα σχηματιστεί ένα στρώμα πάγου ή πάγου στους εσωτερικούς τοίχους. Αυτό αυξάνει την κατανάλωση ενέργειας. Προκειμένου να εξοικονομήσετε ενέργεια και να διατηρήσετε τη βέλτιστη απόδοση, παρακαλούμε να ξεπαγώνετε τακτικά τον καταψύκτη. Ανατρέξτε στο κεφάλαιο οδηγιών χρήσης "Απόψυξη".

ΔΗΛΩΣΗ ΣΥΜΜΟΡΦΩΣΗΣ

Ο κατασκευαστής του (των) προϊόντος (-ων) που περιγράφεται (-ονται) στο παρόν, στο οποίο αναφέρεται η παρούσα περιγραφή, δηλώνει με αποκλειστική του ευθύνη ότι το (τα) προϊόν (πληροί) τη σχετική θεμελιώδη απαίτηση ασφάλειας, υγείας και προστασίας της σχετικής απαίτησης του Ηνωμένου Βασιλείου και της ΕΕ και ότι οι αντίστοιχες εκθέσεις δοκιμών είναι διαθέσιμες προς εξέταση από τις αρμόδιες αρχές και μπορούν να ζητηθούν από τον πωλητή της συσκευής, ιδίως όσον αφορά τη δήλωση συμμόρφωσης CE που εκδίδεται από τον κατασκευαστή ή με την έγκριση του κατασκευαστή.

Επιπλέον, ο κατασκευαστής δηλώνει ότι τα μέρη της συσκευής που περιγράφονται στο παρόν εγχειρίδιο χρήσης, τα οποία έρχονται σε επαφή με νωπά τρόφιμα, δεν περιέχουν τοξικές ουσίες.


Ο κατασκευαστής εργάζεται συνεχώς για την περαιτέρω ανάπτυξη όλων των προϊόντων. Επομένως, λάβετε αυτό υπόψη, καθώς η μορφή, η εγκατάσταση και η τεχνολογία υπόκεινται σε αλλαγές, χωρίς προηγούμενη ειδοποίηση.

Για περισσότερες πληροφορίες σχετικά με το προϊόν, συμβουλευτείτε τη διεύθυνση <https://eprel.ec.europa.eu/> ή σαρώστε το QR στην ενεργειακή ετικέτα που παρέχεται με τη συσκευή.

LOW FROST

Χάρη στη μονάδα low frost, εισέρχεται ξηρός αέρας στον θάλαμο, εξασφαλίζοντας τη μείωση του σχηματισμού πάγου.

BEZPEČNOSTNÉ OPATRENIA

- Deti staršie ako 8 rokov a osoby s obmedzenými fyzickými, zmyslovými alebo duševnými schopnosťami alebo nedostatkom skúseností či vedomostí môžu tento prístroj používať pod dohľadom, resp. po poučení a oboznámení sa s bezpečným spôsobom používania a porozumení možným nebezpečenstvám.
 - Deti sa so spotrebičom nesmú hrať.
 - Čistenie a údržbu nesmú vykonávať deti bez dozoru.
 - Zariadenie musí byť umiestnené tak, aby bola zástrčka prístupná.
 - Ak je poškodený napájací kábel, v záujme eliminácie akéhokoľvek rizika ho musí vymeniť výrobca, jeho servisný zástupca alebo rovnako kvalifikovaná osoba.
 - **VAROVANIE:** Dávajte pozor, aby nedošlo k blokovaniu vetracích otvorov v kryte zariadenia alebo v zabudovanej konštrukcii.
 - **VAROVANIE:** Na urýchlenie odmrazovania nepoužívajte mechanické nástroje ani iné prostriedky s výnimkou tých, ktoré odporúča výrobca.
 - **VAROVANIE:** Nepoškodte chladiaci okruh.
 - **VAROVANIE:** V priestoroch spotrebiča, ktoré slúžia na skladovanie potravín, nepoužívajte elektrické spotrebiče, pokiaľ ich používanie neschválil výrobca.
 - Pretože sa používajú horľavé plyny, požiadajte o likvidáciu servisného zástupcu.
 - Ak sú poškodené žiarovky, v záujme eliminácie akéhokoľvek rizika ich musí vymeniť výrobca, jeho servisný zástupca alebo rovnako kvalifikovaná osoba.
 - V tomto spotrebiči neskladujte výbušné látky ako sú plechovky s aerosólmi, ktoré podporujú horenie.
 - Truhlicová mraznička je vhodná na použitie v nevykurovaných miestnostiach a mimo budovy, teploty však nesmú klesnúť pod -15 °C.
 - Pretože sa používajú horľavé chladivá, spotrebič inštalujte, manipulujte s ním a opravujte výhradne podľa pokynov a ohľadom likvidácie sa obráťte na profesionálneho zástupcu alebo naše popredajné služby.
 - V spotrebičoch vybavených osvetlením je zabudovaný vypínač. Po otvorení spotrebiča sa svetlo automaticky rozsvieti a po zatvorení sa automaticky vypne (nie je k dispozícii vo všetkých modeloch)
 - Predpisy vyžadujú uzemnenie spotrebiča.
- 
- Symbol  na výrobku alebo jeho balení označuje, že sa s ním nesmie zaobchádzať ako s komunálnym odpadom. Namiesto toho je treba spotrebič odovzdať v príslušnom zbernom stredisku na recykláciu elektrických a elektronických zariadení. Zabezpečením správnej likvidácie tohto výrobku pomôžete zabrániť možným negatívnym vplyvom na životné prostredie a ľudské zdravie, ktoré by inak mohli byť spôsobené nevhodným postupom pri jeho likvidácii. Podrobnejšie informácie o recyklácii tohto výrobku získate na príslušnom miestnom úrade, v zberných surovinách alebo v predajni, kde ste si výrobok zakúpili.
 - **VAROVANIE:** Pri umiestnení spotrebiča zabezpečte, aby sa napájací kábel nezachytil ani nepoškodil.
 - **VAROVANIE:** Na zadnú stranu spotrebiča neumiestňujte viacnásobné prenosné zásuvky ani prenosné napájacie káble.
 - Deti vo veku od 3 do 8 rokov môžu do chladiacich spotrebičov nakladať a vykladať.
 - Tento spotrebič je určený na používanie v domácnostiach a podobných priestoroch, ako napr.:
 - kuchynské priestory pre personál v obchodoch, úradoch a iných pracovných prostrediach;
 - farmy a pre zákazníkov v hoteloch, motelloch a ďalších prostrediach rezidenčného typu;
 - prostredie typu prenocovania s raňajkami;
 - stravovacie služby a podobné, iné ako maloobchodné, priestory.
 - Aby ste zabránili kontaminácii potravín, dodržiavajte nasledujúce pokyny:
 - Otvorenie dverí na dlhší čas môže spôsobiť výrazné zvýšenie teploty v priehradkách spotrebiča.
 - Pravidelne čistite povrchy, ktoré môžu prísť do styku s potravinami a dostupné systémy na vypúšťanie vody.
 - Surové mäso a ryby skladujte v mrazničke vo vhodných nádobách tak, aby sa nedostali do kontaktu s inými potravinami alebo aby na ne nekvapkali.
 - Ak chcete nechať chladiaci spotrebič dlhší čas prázdny, vypnite ho, rozmrazte, vyčistite, vysušte a dvere nechajte otvorené, aby sa vo vnútri spotrebiča nevyvíjali plesne.
 - Na zaistenie bezpečného zachovania potravín musíte hotové potraviny a surové mäso/ryby skladovať osobitne.
 - Tento chladiaci spotrebič nie je určený na použitie ako zabudovaný spotrebič.

DIAGRAMY

OBR1.

- A Veko
- B Tesnenie
- C Vnútorné svetlo (ak je k dispozícii)
- D Skriňa
- E Úložný priestor
- F Vetracia mriežka
- G Ovládací panel
- H Kôš
- I Komora kompresora
- J Kompresor
- K Ventilátor (ak je k dispozícii)
- L Zadný kondenzátor (ak je k dispozícii)
- M Odtoková zátka rozmrazenej vody

PRED POUŽITÍM

- Tento spotrebič je určený výhradne na použitie v domácnosti, iba na skladovanie potravín.
- Ak po rozbalení zistíte, že je spotrebič poškodený, kontaktujte svojho predajcu.
- Sieťové napájanie musí zodpovedať napájaniu uvedenému na typovom štítku spotrebiča.

INŠTALÁCIA

- Spotrebič úplne vybalte. Pred inštaláciou sa uistite, že ste odstránili všetky baliace materiály, správne ich zlikvidujte a udržiavajte mimo dosahu detí.
- Spotrebič musí byť nainštalovaný v suchej, dobre vetranej miestnosti, bez vystavenia priamemu slnečnému žiareniu a nesmie byť umiestnený v blízkosti zdroja tepla.
- Medzi spotrebičom a okolím ponechajte najmenej 10 cm na vetranie a odvod tepla.
- Napájanie musí zodpovedať údajom na typovom štítku a miestnym predpisom.
- Po inštalácii vám odporúčame, aby ste pred pripojením spotrebiča k elektrickej sieti počkali minimálne dve hodiny. Pomôže to pri stabilizácii chladiaceho okruhu.
- Spotrebič nainštalujte v mieste, kde teplota prostredia zodpovedá klimatickej triede uvedenej na typovom štítku spotrebiča:

Klimatická trieda	Teplota okolitého prostredia
SN	+10 °C až 32 °C
N	+16 °C až 32 °C
ST	+16 °C až 38 °C

SPUSTENIE

1. Zasuňte zástrčku do zásuvky. Všetky kontrolky sa rozsvietia a zhasnú. Následne sa zobrazí teplota.
2. Počkajte jednu hodinu, kým teplota vo vnútri spotrebiča neklesne a potom do neho vložte potraviny

NASTAVENIE TEPLoty

Stlačením tlačidla (2) nastavíte teplotu.

Odporúčame vám, aby ste teplotu nastavili na -18 °C

NASTAVENIE FUNKCIE (ak je k dispozícii)

Stlačením tlačidla (1) až (4) aktivujete funkciu Super Freeze.

Funkcia rýchleho zmrazenia sa automaticky vypne po 71 hodinách, aby sa ušetrila energia. Keď je táto funkcia zapnutá, spotreba elektrickej energie sa zvýši. Počas funkcie rýchleho zmrazenia bude teplota v mrazničke -26 °C

Stlačením tlačidla (3) na 3 sekundy zamknete/odmknete ovládací panel.

MRAZENIE POTRAVÍN

- Potraviny pred zmrazením zabaľte alebo utesnite v alobale, vzduchotesných nádobách alebo vrecúškach na skladovanie potravín.
- Pred vložením do spotrebiča nechajte teplé jedlo vychladnúť.
- Menšia porcia jedla sa zmrazí rýchlejšie. Odporúčaná maximálna hmotnosť porcie je 2,5 kg.
- Nedovoľte, aby sa teplé potraviny dostali do kontaktu s už zmrazenými potravinami. Zmrazené potraviny by sa mohli rozmraziť a nemusia vydržať predpokladaný čas skladovania.
- Nesmiete prekročiť kapacitu spotrebiča uvedenú na typovom štítku.
- Pri plnení spotrebiča väčším množstvom čerstvých potravín vám odporúčame, aby ste zapli funkciu Super Freeze (ak je k dispozícii) 53 hodín vopred.
- Čas skladovania zakúpených hlboko zmrazených výrobkov sa líši a závisí od typu produktu a jeho obalu. Preto dôsledne dodržujte pokyny pestovateľa/výrobca na obale.

ČISTENIE A ÚDRŽBA

- Pred vykonávaním akejkoľvek údržby alebo čistenia spotrebiča sa vždy ubezpečte, že je vypnuté napájanie.
- Ak zariadenie nebudete dlhšiu dobu používať, nechajte ho otvorené, aby sa vo vnútri nehromadil zápach a nepríjemné pachy.
- Na zaistenie bezpečného uchovávaného potravín dodržujte tento návod na použitie a mrazničku pravidelne čistite. Podrobnosti sú uvedené nižšie.

- Vnútrajšok mrazničky vyčistíte minimálne raz za rok. Použite teplú vodu a roztok sódy bikarbóny – približne lyžicu sódy bikarbóny na liter vody. Dôkladne opláchnite vodou a utrite dosucha. Nepoužívajte čistiace prášky ani iné abrazívne čistiace prostriedky. Odnímateľné časti neumývajte v umývačke riadu.
- Nepoužívajte agresívne chemikálie, abrazívne látky, amoniak, chlórové bielidlá, koncentrované čistiace prostriedky, rozpúšťadlá ani drôtenky. Niektoré z týchto chemikálií by mohli roztaviť, poškodiť a/alebo odfarbiť mrazničku.
- Na žiadny povrch nikdy nepoužívajte drôtenky, kefy, abrazívne čistiace prostriedky ani alkalické roztoky.
- Tesnenie dverí čistíte každé tri mesiace podľa pokynov na čistenie vnútorného priestoru. Tesnenia musíte udržiavať čisté a pružné, aby sa zabezpečilo správne utesnenie. Pre polohy, ako sú švy, drážky, otvory a pod. sa dajú na čistenie použiť jednoduché nástroje, ako sú mäkké kefy. Podľa potreby odnímateľné police, zásobníky, zásuvky a podobné príslušenstvo môžete vyčistiť po ich vybratí, môžu sa umyť v umývadle.

ROZMRAZOVANIE

Spotrebič by ste mali rozmraziť, keď hrúbka ľadu na stenách dosiahne 5 – 6 mm.

Ako pomôcku na odstránenie ľadu pri rozmrazovaní nepoužívajte žiadne elektrické, ostré ani mechanické predmety, pokiaľ ich nedodal alebo neschválili výrobca alebo nepovolilo servisné stredisko.

Na odstránenie ľadu z vnútorných stien použijete škrabku na plasty alebo drevo bez ostrých hrán. Nikdy nepoužívajte kovovú škrabku.

Postupujte nasledovne:

1. Uistite sa, že je spotrebič odpojený zo zásuvky.
2. Dôkladne si osušte ruky, aby ste zabránili poškodeniu pokožky kontaktom s ľadom (odporúčame vám používať rukavice).
3. Vyberte zo spotrebiča všetky zmrazené potraviny, vložte ich do nádoby/chladiaceho boxu, na vrch zmrazených potravín položte zmrazené bloky, aby ste ich udržali v chlade a nádobu alebo chladiaci box umiestnite do chladnej a suchej miestnosti.
4. Vytiahnite zátku na vypúšťanie vody (ak je k dispozícii) umiestnenú v spodnej časti spotrebiča. V opačnom prípade musíte roztopenú vodu na dne priehradky spotrebiča utrieť špongiou alebo utierkou.
5. Z vnútornej strany spotrebiča opatrne zoškrabte ľad a dajte ho do kuchynského drezu, aby sa rozpustil.
6. Dôkladne vyčistíte vnútrajšok priehradky spotrebiča, opláchnite ju teplou vodou a odstráňte všetky vyliate potraviny alebo kvapaliny.

7. Spotrebič dôkladne utrite absorpčnou handričkou alebo špongiou a nechajte pribl. 3 až 4 minúty schnúť.
8. Vypúšťaciu zátku (ak je k dispozícii) vráťte späť na miesto.
9. Zatvorte dvere spotrebiča, zasuňte zástrčku do zásuvky a zapnite spotrebič.
10. Teraz znovu vložte zmrazené potraviny.

Aby ste zabránili rozmrazovaniu zmrazených potravín, dokončíte rozmrazovanie maximálne do dvoch hodín, aby sa znížil výrazný nárast teploty zmrazených potravín, ktorý by skrátil dobu životnosti ich uskladnenia.

RIEŠENIE PROBLÉMOV

1. Dvere sa ťažko otvárajú?

Po zatvorení dverí môže byť počas niekoľkých nasledujúcich minút ťažké ich opäť otvoriť. Je to normálne a znamená to, že tesnenie dverí funguje správne. Jednoducho počkajte pár minút a dvere budete môcť ľahko otvoriť.

2. Žiadna činnosť (spotrebič nie je v prevádzke/neochladzuje)

- Nedošlo k výpadku elektrického napájania?
- Je zástrčka v dobrom stave a správne zapojená do zásuvky?

3. Spotrebič nefunguje dostatočne/svieti „HH“

- Je veko spotrebiča správne zatvorené?
- Nevytvorila sa na vnútorných stenách príliš hrubá vrstva ľadu?
- Nie je spotrebič vystavený priamemu slnečnému žiareniu alebo zdroju tepla?
- Nevložili ste do spotrebiča príliš veľa teplých potravín?
- Klimatickú triedu nájdete na typovom štítku na zadnej strane spotrebiča. Špecifikuje teplotu okolitého prostredia, pri ktorej bude spotrebič pracovať správne.

Klimatická trieda	Teplota okolitého prostredia
SN	+10 °C až 32 °C
N	+16 °C až 32 °C
ST	+16 °C až 38 °C

4. Spotrebič je hlučný.

Tento hluk vytvára pracujúci motor v kompresore a chladivo prúdiace v okruhu chladiaceho systému. Tieto zvuky sú normálne.

5. Na vonkajších stenách sa hromadí kondenzácia

Za určitých atmosférických podmienok môže na vonkajších stenách spotrebiča kondenzovať voda. Je to normálne a nemá to žiadny vplyv na funkčnosť spotrebiča.

POPREDAJNÉ SLUŽBY

1. Riešenie porúch svojpomocne

Ak máte podozrenie na poruchu, skôr ako sa obrátite na schválené popredajné služby priamo alebo prostredníctvom svojho predajcu, ubezpečte sa, že ste dodržali všetky pokyny a rady v tomto návode na použitie.

2. Popredajné služby

Dostupné popredajné služby nájdete v priloženom záručnom liste.

Aby chcete získať okamžitú pomoc, uistite sa, že máte pripravené nasledujúce základné údaje na identifikáciu vášho spotrebiča:

- ✓ Značka spotrebiča
- ✓ Model
- ✓ Sériové číslo
- ✓ Problém alebo dôvod
- ✓ Dátum zakúpenia
- ✓ Zakúpené od/dodávateľ

Ak chcete kontaktovať technickú pomoc, navštívte našu webovú stránku: <https://corporate.haier-europe.com/en/>
V sekcii „webová stránka“ vyberte značku svojho produktu a svoju krajinu. Budete presmerovaní na konkrétnu webovú stránku, kde nájdete telefónne číslo a formulár na kontaktovanie technickej pomoci

DOSTUPNOSŤ NÁHRADNÝCH DIELOV

Termostaty, snímače teploty, dosky plošných spojov a svetelné zdroje sú k dispozícii minimálne sedem rokov po uvedení poslednej jednotky modelu na trh.

Kľučky, závesy dverí, podnosy a koše minimálne na obdobie siedmich rokov a tesnenia dverí na minimálne 10 rokov po uvedení poslednej jednotky modelu na trh.

ZÁRUKA

Minimálna záruka je: 2 roky pre krajiny EÚ, 3 roky pre Turecko, 1 rok pre Spojené kráľovstvo, 1 rok pre Rusko, 3 roky pre Švédsko, 2 roky pre Srbsko, 5 rokov pre Nórsko, 1 rok pre Maroko, 6 mesiacov pre Alžírsko, Tunisko nevyžaduje žiadnu zákonnú záruku.

BEZPEČNOSTNÉ OPATRENIA

- Ak chcete mrazničku zlikvidovať, musíte odstrániť dvere a police nechať na svojom mieste. Zníži sa tým možnosť nebezpečenstva pre deti. Horľavé peny musia byť zlikvidované odbornými osobami.

TIPY NA ÚSPORU ENERGIE

- Po určitom čase prevádzky spotrebiča sa na vnútorných stenách vytvorí vrstva námrazy alebo ľadu. To zvyšuje spotrebu energie. Aby ste ušetrili energiu a dosiahli najlepší výkon, mrazničku pravidelne rozmrazujte. Prečítajte si kapitolu „Rozmrazovanie“ v pokynoch pre používateľa.

VYHLÁSENIE O ZHODE

Výrobca produktu (produktov) popísaného v tomto dokumente, na ktorý sa tento popis vzťahuje, na vlastnú zodpovednosť prehlasuje, že produkt (produkty) spĺňa príslušné základné požiadavky na bezpečnosť, zdravie a ochranu stanovené v príslušných požiadavkách Spojeného kráľovstva a Európskej únie a že príslušné správy o testoch sú k dispozícii na preskúmanie príslušnými orgánmi a je možné si ich vyžiadať od predajcu spotrebiča, najmä pokiaľ ide o ES vyhlásenie o zhode vydané výrobcom alebo so súhlasom výrobcu.

Výrobca navyše vyhlasuje, že časti spotrebiča popísané v tomto návode na použitie, ktoré prichádzajú do kontaktu s čerstvými potravinami, neobsahujú žiadne toxické látky.


Výrobca neustále pracuje na ďalšom vývoji všetkých produktov. Preto to majte na pamäti, pretože forma, inštalácia a technológia sa môžu meniť bez predchádzajúceho upozornenia.

Ďalšie informácie o produkte nájdete na stránkach <https://eprel.ec.europa.eu/> alebo si oskenujte QR kód na štítku s údajmi o elektrickej spotrebe spotrebiča

NÍZKY MRAZ

Vďaka nízkemu modulu mrazu vstupuje do skrine suchý vzduch, čím sa znižuje tvorba ľadu.

МЕРЫ ПРЕДОСТОРОЖНОСТИ

- Дети в возрасте 8 лет и старше, а также лица с ограниченными физическими, сенсорными и умственными способностями или недостаточным опытом и знаниями, могут пользоваться данным устройством только под присмотром или при условии, что они проинструктированы о порядке безопасного пользования устройством и осознают связанные с этим опасности.
 - Не разрешайте детям играть с устройством.
 - Детям запрещается выполнять чистку и пользовательское обслуживание электроприбора без присмотра.
 - Прибор должен быть расположен таким образом, чтобы вилка была легко доступна.
 - При повреждении кабеля питания во избежание возможной опасности его замену должен осуществлять производитель, его сервисный представитель или лица с подобной квалификацией.
 - ПРЕДУПРЕЖДЕНИЕ. Не допускайте перекрытия вентиляционных отверстий на корпусе электроприбора и на встроенных конструкциях.
 - ПРЕДУПРЕЖДЕНИЕ. Для ускорения процесса размораживания не используйте механические или другие устройства кроме тех, которые рекомендованы производителем.
 - ПРЕДУПРЕЖДЕНИЕ. Не повредите контур охлаждения.
 - ПРЕДУПРЕЖДЕНИЕ. Не пользуйтесь электрическими приборами внутри отделений для хранения пищевых продуктов, если они не относятся к устройствам, рекомендованным производителем.
 - Для утилизации прибора свяжитесь с сервисным представителем, поскольку в устройстве использовался горючий изолирующий газ.
 - При повреждении лампы освещения во избежание опасности ее замену должен осуществлять производитель, его сервисный представитель или лица с подобной квалификацией.
 - Запрещается хранить в этом приборе взрывоопасные вещества, такие как баллончики с воспламеняющимися сжатыми газами.
 - Морозильная камера подходит для использования в неотапливаемых помещениях и вне здания при температуре не ниже -15°C.
 - Ввиду использования легковоспламеняющихся хладагентов необходимо строго соблюдать инструкции при установке, эксплуатации и обслуживании прибора. Для утилизации прибора обратитесь к профессиональному уполномоченному лицу или в наш послепродажный сервис.
 - Выключатель встроен в приборы, оборудованные освещением. Когда дверца прибора открыта, свет загорается автоматически, а при закрытии автоматически выключается. (Не во всех моделях)
 - В соответствии с техническими нормами этот прибор должен быть заземлен.
-
- Символ  на изделии или на его упаковке указывает на то, что с прибором нельзя обращаться как с бытовыми отходами. Вместо этого изделие следует сдать в соответствующий пункт сбора электрического и электронного оборудования для повторной переработки. Неправильное обращение с отходами может привести к негативному воздействию на окружающую среду и здоровье людей. Обеспечивая надлежащую утилизацию изделия, вы способствуете предотвращению потенциальных последствий. Для получения более подробных сведений о переработке данного изделия обратитесь в местную городскую администрацию, службу утилизации бытовых отходов или в магазин, в котором приобретено изделие.
 - ПРЕДУПРЕЖДЕНИЕ. При размещении электроприбора убедитесь, что кабель питания не зажат и не поврежден.
 - ПРЕДУПРЕЖДЕНИЕ. Запрещается располагать многоместные удлинители или портативные источники питания позади прибора.
 - Детям в возрасте от 3 до 8 лет разрешается загружать продукты в холодильную технику и вынимать их из нее.
 - Этот электроприбор предназначен исключительно для домашнего использования, а также для следующего аналогичного применения:
 - в кухонных зонах для персонала в магазинах, офисах и других рабочих помещениях;
 - в загородных домах, для клиентов гостиниц, мотелей и в других помещениях для проживания;
 - в гостиницах типа «постель и завтрак»;
 - для выездного ресторанного обслуживания и подобных услуг не в розничной торговле.
 - Во избежание загрязнения пищевых продуктов соблюдайте следующие инструкции:
 - Открытие дверцы в течение длительного времени может привести к значительному повышению температуры в отсеках прибора.
 - Регулярно очищайте поверхности, которые могут соприкоснуться с пищевыми продуктами, и доступные дренажные системы.
 - Храните сырое мясо и рыбу в подходящих контейнерах в морозильнике, чтобы они не соприкасались с другими продуктами питания и не капали на них.
 - Если холодильная техника остается пустой в течение длительного времени, выключите ее, разморозьте, очистите, высушите и оставьте дверцу открытой, чтобы предотвратить образование плесени внутри прибора.
 - Для обеспечения безопасной сохранности пищевых продуктов, продукты быстрого приготовления и сырое мясо или рыба должны храниться отдельно.
 - Этот холодильный прибор не предназначен для использования в качестве встроенного устройства.

СХЕМЫ

РИС. 1.

- A Крышка
- B Прокладка
- C Внутреннее освещение (при наличии)
- D Корпус
- E Отсек для хранения
- F Вентиляционная решетка
- G Панель управления
- H Корзина
- I Компрессорная камера
- J Компрессор
- K Вентилятор (при наличии)
- L Конденсатор на задней стенке (при наличии)
- M Пробка сливного отверстия для оттаявшей воды

ПЕРЕД ИСПОЛЬЗОВАНИЕМ

- Этот прибор предназначен исключительно для бытового использования, только для хранения продуктов питания.
- Если после распаковки вы обнаружили, что прибор поврежден, обратитесь к своему дилеру.
- Сетевое электроснабжение должно соответствовать паспортной табличке прибора.

УСТАНОВКА

- Полностью распакуйте прибор. Перед установкой убедитесь, что все упаковочные материалы сняты, надлежащим образом утилизированы и находятся в недоступном для детей месте.
- Прибор должен быть установлен в сухом, хорошо проветриваемом помещении, вдали от источников тепла и вне зоны попадания прямых солнечных лучей.
- Между прибором и окружающими предметами необходимо оставить расстояние не менее 10 см для вентиляции и отвода тепла.
- Электроснабжение должно соответствовать требованиям, указанным на паспортной табличке, и местным нормам.
- Рекомендуется подождать после установки не менее двух часов, прежде чем подключать прибор. Это помогает стабилизировать контур хладагента.
- Устанавливайте прибор в месте, где температура окружающей среды соответствует климатическому классу, указанному на паспортной табличке прибора:

Климатический класс	Температура окружающей среды
SN	От +10°C до +32°C
N	От +16°C до +32°C
ST	От +16°C до +38°C

ЗАПУСК

1. Вставьте вилку в розетку. Все индикаторы должны загореться и погаснуть. Затем появится температура.
2. Подождите один час, пока температура внутри прибора снизится, а затем поместите в него продукты.

НАСТРОЙКА ТЕМПЕРАТУРЫ

Нажмите (2), чтобы отрегулировать температуру. Рекомендуется установить температуру на -18°C.

НАСТРОЙКА ФУНКЦИИ (если предусмотрено)

Чтобы активировать функцию Super Freeze, нажмите кнопку (1) и удерживайте, пока не загорится индикатор (4).

Функция быстрой заморозки будет автоматически отключена через 71 час для экономии энергии. Когда эта функция включена, потребление энергии будет увеличиваться. В режиме быстрой заморозки температура в морозильной камере составит -26°C.

Чтобы заблокировать или разблокировать панель управления, нужно нажать кнопки (3) и удерживать в течении 3 секунд.

ЗАМОРАЖИВАНИЕ ПИЩЕВЫХ ПРОДУКТОВ

- Перед замораживанием продукты необходимо тщательно упаковать: в алюминиевую фольгу, герметичные контейнеры или в пакеты для хранения продуктов.
- Если пища горячая, ее необходимо остудить перед помещением в морозильную камеру.
- Чем меньше порция, тем быстрее замораживается пища. Рекомендуемый максимальный вес порции составляет 2,5 кг.
- Не допускайте непосредственного контакта теплой пищи с уже замороженными продуктами. В этом случае замороженные продукты могут разморозиться и не выдержать предусмотренное время хранения.
- Не превышайте объем загрузки, указанный на паспортной табличке прибора.
- Если вы планируете поместить в морозильник большое количество свежих продуктов, рекомендуется заранее (за 53 часа) включить функцию Super Freeze (при наличии).
- Срок хранения покупных продуктов глубокой заморозки зависит от типа продукта и его упаковки. Поэтому строго соблюдайте инструкции производителя на упаковке.

ЧИСТКА И ОБСЛУЖИВАНИЕ

- Перед проведением технического обслуживания или чистки прибора обязательно проверяйте, отключен ли источник питания.
- Если вы не используете прибор в течение длительного времени, оставьте его открытым, чтобы предотвратить появление неприятных запахов внутри.
- Для обеспечения безопасной сохранности пищевых продуктов соблюдайте эту инструкцию по использованию и регулярно очищайте морозильную камеру. Подробная информация приведена ниже.

- Очищайте морозильную камеру не реже одного раза в год. Используйте теплую воду и раствор пищевой соды: примерно столовую ложку пищевой соды на литр воды. Тщательно ополосните водой и вытрите насухо. Не используйте чистящие порошки или другие абразивные чистящие средства. Не мойте съемные детали в посудомоечной машине.
- Не используйте агрессивные химические вещества, абразивные вещества, аммиак, хлорный отбеливатель, концентрированные моющие средства, растворители или металлические губки. Некоторые из этих химических веществ могут растворять, повреждать или обесцвечивать покрытие морозильной камеры.
- Никогда не используйте для очистки поверхностей металлические губки, щетки, абразивные чистящие средства или щелочные растворы.
- Очищайте дверную прокладку каждые три месяца в соответствии с инструкцией по чистке внутренних поверхностей. Прокладки должны быть чистыми и гибкими, чтобы обеспечить надлежащее уплотнение. Для очистки таких мест, как швы, прорези, отверстия и пр., можно использовать простые инструменты, например мягкие щетки. При необходимости съемные полки, лотки, ящики и аналогичные аксессуары можно вынуть из прибора и вымыть в раковине.

РАЗМОРАЖИВАНИЕ

Прибор следует разморозить, как только толщина льда на стенах достигнет 5-6 мм.

Не используйте электрические, острые или механические предметы для размораживания и процесса удаления льда, если они не поставляются или не одобрены производителем или утвержденным сервисным центром.

Для удаления льда с внутренних стенок используйте пластиковый или деревянный скребок без острых краев. Металлический скребок использовать запрещено.

Последовательность действий:

1. Убедитесь, что устройство отключено от сети.
2. Тщательно высушите руки, чтобы предотвратить повреждение кожи при контакте со льдом (рекомендуется использовать перчатки).
3. Выньте из морозильной камеры все замороженные продукты и поместите в контейнер или сумку-холодильник, положив сверху замороженные охлаждающие блоки. Поставьте контейнер или сумку-холодильник в прохладное, сухое помещение.
4. Извлеките пробку для слива воды (при наличии), расположенную в нижней части прибора. Если пробки нет, необходимо вытереть талую воду, скопившуюся в нижней части отделения, губкой или полотенцем.
5. Тщательно соскребите лед с внутренних стенок устройства и положите в кухонную раковину для размораживания.
6. Тщательно очистите внутреннее отделение прибора, промойте его теплой водой и удалите остатки пищи или пролитую жидкость.

7. Протрите прибор впитывающей тканью или губкой, тщательно высушите и дайте проветриться в течение 3-4 минут.
8. Вставьте на место сливную пробку (при наличии).
9. Закройте дверцу, вставьте вилку в розетку и включите прибор.
10. Теперь снова загрузите замороженные продукты в морозильник.

Процедура размораживания не должна занимать более двух часов, чтобы предотвратить размораживание замороженных продуктов. В противном случае температура замороженных продуктов может значительно повыситься и привести к сокращению срока хранения.

ПОИСК И УСТРАНЕНИЕ НЕИСПРАВНОСТЕЙ

1. Дверцу трудно открыть?

После закрытия дверцы в течение нескольких минут ее будет трудно открыть. Так и должно быть: это означает, что уплотнение дверцы работает правильно. Просто подождите несколько минут, и вы сможете легко открыть дверцу.

2. Не работает (прибор не работает или не охлаждает)

- Возможно, сбой электропитания?
- Проверьте, исправна ли вилка и правильно ли она вставлена в розетку.

3. Прибор работает недостаточно эффективно / горит индикатор «НН»

- Проверьте, правильно ли закрыта крышка прибора.
- Проверьте, не сильно ли обледенели внутренние стенки.
- Проверьте, не попадают ли на прибор прямые солнечные лучи или, возможно, источник тепла находится слишком близко.
- Возможно, вы положили сразу слишком много теплой пищи?
- Климатический класс можно найти на паспортной табличке на задней стенке прибора. В нем указан температурный диапазон окружающей среды, при котором прибор будет работать правильно.

Климатический класс	Температура окружающей среды
SN	От +10°C до +32°C
N	От +16°C до +32°C
ST	От +16°C до +38°C

4. Прибор издает шум.

Этот шум возникает при работе двигателя в компрессоре, а также при протекании хладагента в контуре системы охлаждения. Такие звуки говорят о нормальной работе прибора.

5. Накопление конденсата на наружных стенках

При определенных атмосферных условиях на наружных стенках прибора может образовываться конденсат. Это нормально и не повлияет на работу устройства.

ПОСЛЕПРОДАЖНОЕ ОБСЛУЖИВАНИЕ

1. Устранение неисправностей самостоятельно

Если у вас возникли сомнения в исправности прибора, перед обращением в утвержденный отдел послепродажного обслуживания напрямую или через своего дилера, убедитесь, что вы соблюдали все инструкции и рекомендации, описанные в этом руководстве пользователя.

2. Послепродажное обслуживание

Информацию о доступном послепродажном обслуживании можно найти в прилагаемом гарантийном талоне.

Чтобы получить немедленную помощь, вам нужно иметь под рукой следующие важные данные о вашем устройстве:

- ✓ Торговая марка прибора
- ✓ Модель
- ✓ Серийный номер
- ✓ Проблема или причина
- ✓ Дата покупки
- ✓ Продавец/поставщик

Чтобы связаться с технической поддержкой, зайдите на наш веб-сайт: <https://corporate.haier-europe.com/en/>
В разделе «Веб-сайт» выберите торговую марку изделия и свою страну. Вы будете перенаправлены на конкретный веб-сайт, где сможете найти номер телефона и форму для обращения в службу технической поддержки.

НАЛИЧИЕ ЗАПАСНЫХ ЧАСТЕЙ

Термостаты, датчики температуры, печатные платы и источники света доступны в течение минимум семи лет с момента поступления в продажу последнего изделия данной модели.

Дверные ручки, дверные петли, лотки и корзины будут доступны на протяжении не менее семи лет, а дверные уплотнители – не менее 10 лет с момента поступления в продажу последнего изделия данной модели.

ГАРАНТИЯ

Минимальная гарантия составляет: 2 года для стран ЕС, 3 года для Турции, 1 год для Великобритании, 1 год для России, 3 года для Швеции, 2 года для Сербии, 5 лет для Норвегии, 1 год для Марокко, 6 месяцев для Алжира, для Туниса юридических гарантий не требуется.

МЕРЫ ПРЕДОСТОРОЖНОСТИ

- Если срок эксплуатации прибора истек и вы собираетесь его выбрасывать, необходимо снять дверцу, оставив полки на месте. Это уменьшит потенциальную опасность для детей. А легковоспламеняющийся вспененный материал должен утилизироваться квалифицированными специалистами.

СОВЕТЫ ПО ЭНЕРГОСБЕРЕЖЕНИЮ

- С течением времени на внутренних стенках работающего прибора образовывается слой инея или льда. Это увеличивает потребление энергии. Чтобы сэкономить энергию и поддерживать оптимальную производительность, необходимо регулярно размораживать морозильную камеру. См. главу «Размораживание» инструкции пользователя.

ДЕКЛАРАЦИЯ О СООТВЕТСТВИИ

Производитель изделия (-ий), описанного (-ых) в настоящем документе, заявляет под свою исключительную ответственность, что изделие (-ия) отвечает (ют) соответствующим фундаментальным требованиям безопасности для людей и окружающей среды, изложенным в соответствующих требованиях Великобритании и ЕС. У продавца прибора можно запросить соответствующие протоколы испытаний для изучения компетентными органами, особенно в отношении декларации соответствия CE, выданной производителем или с одобрения производителей.

Кроме того, производитель заявляет, что части устройства, описанные в данном руководстве пользователя, которые вступают в контакт со свежими пищевыми продуктами, не содержат токсичных веществ.

Производитель постоянно работает над совершенствованием всей продукции. Поэтому просим иметь это в виду, так как форма, настройки и технологии могут быть изменены без предварительного уведомления.

Для получения дополнительной информации о продукте посетите веб-сайт <https://eprel.ec.europa.eu/> или отсканируйте QR-код на этикетке класса энергопотребления, поставляемой с прибором.

НИЗКИЙ МОРОЗ

Благодаря низкому модулю замерзания в шкаф попадает сухой воздух, что снижает образование льда.

CE



0070501447Z