

## DS-2SE7C425MW-AEB(14F1)(P3) 4 MP 25 × IR Network Speed Dome



Hikvision DS-2SE7C425MW-AEB(14F1)(P3) 4 MP 25 × IR Network Speed Dome adopts 1/2.8" progressive scan CMOS chip. With the 25 × optical zoom lens, the camera offers more details over expansive areas. This series of cameras can be widely used for wide ranges of high-definition, such as rivers, roads, railways, airports, squares, parks, scenic spots, and venues, etc.

- Captures a large area and great details at the same time
- High quality imaging with 4 MP resolution
- Excellent low-light performance with powered-by-DarkFighter technology
- Secures an expansive area with 25× optical zoom and 16× digital zoom
- Supports WDR, HLC, BLC, 3D DNR, defog, regional exposure, regional focus
- Expansive night view with up to 200 m IR distance
- Supports 24 VAC & Hi-PoE
- Active strobe light and audio alarm to warn intruders off



## ▪ DORI

The DORI (detect, observe, recognize, identify) distance gives the general idea of the camera ability to distinguish persons or objects within its field of view. It is calculated based on the camera sensor specification and the criteria given by EN 62676-4: 2015.

| DORI            | Detect               | Observe             | Recognize           | Identify           |
|-----------------|----------------------|---------------------|---------------------|--------------------|
| Definition      | 25 px/m              | 63 px/m             | 125 px/m            | 250 px/m           |
| Distance (Tele) | 2200.0 m (7217.8 ft) | 873.0 m (2864.2 ft) | 440.0 m (1443.6 ft) | 220.0 m (721.8 ft) |

## ▪ Specification

| Camera                  |  |
|-------------------------|--|
| Image Sensor            | [Bullet channel]: 1/1.8" Progressive Scan CMOS; [PTZ channel]: 1/1.8" progressive scan CMOS  |
| Min. Illumination       | [Bullet channel]: 0.0005 Lux @ (F1.0, AGC ON), 0 Lux with light;<br>[PTZ channel]: Color: 0.005 Lux @ (F1.6, AGC ON), B/W: 0.001 Lux @ (F1.6, AGC ON), 0 Lux with IR |
| Shutter Speed           | 1 s to 1/30,000 s  |
| Slow Shutter            | Yes  |
| Focus                   | semi-auto, manual, auto  |
| Day & Night             | ICR  |
| Day/Night Switch        | day, night, auto, scheduled-switch   |
| BLC                     | Yes  |
| WDR                     | 120 dB WDR   |
| HLC                     | Yes  |
| 3D DNR                  | Yes  |
| Defog                   | Yes  |
| EIS                     | Yes  |
| Regional Exposure       | Yes  |
| Regional Focus          | Yes  |
| Image Settings          | saturation, brightness, contrast, sharpness  |
| Image Parameters Switch | [Bullet channel]: yes; [PTZ channel]: yes  |
| White Balance           | auto, ATW, sodium lamp, fluorescent lamp, indoor, outdoor, MWB, Locked WB  |
| Zoom                    | [PTZ channel] 25 × optical, 16 × digital   |
| Privacy Mask            | polygon region, mosaic mask, mask color configurable, [Bullet channel] 8 masks, [PTZ channel] 24 masks   |
| SNR                     | > 52dB   |
| General Function        | mirror, password protection, watermark, IP address filter  |
| Lens                    |  |
| Focal Length            | [Bullet channel]: 4 mm; [PTZ channel]: 4.8 to 120 mm, 25 × optical   |
| Zoom Speed              | [PTZ channel]: approx. 3.6 s   |

|                        |   |
|------------------------|---|
| FOV                    | [Bullet channel]: Horizontal field of view: 88.7°, Vertical field of view: 44.7°;<br>[PTZ channel]:<br>Horizontal field of view: 55° to 2.4° (wide-tele)<br>Vertical field of view: 33° to 1.4° (wide-tele),<br>Diagonal field of view: 61.5° to 2.8° (wide-tele)   |
| Aperture               | [Bullet channel]: F1.0; [PTZ channel]: F1.6   |
| <b>Illuminator</b>     |   |
| Supplement Light Type  | [PTZ channel]: IR; [Bullet channel]: White Light  |
| Smart Supplement Light | Yes   |
| Supplement Light Range | [PTZ channel]: up to 200 m; [Bullet channel]: up to 30 m  |
| <b>PTZ</b>             |   |
| Movement Range (Pan)   | 360°  |
| Movement Range (Tilt)  | -15° to 90° (auto flip)   |
| Pan Speed              | pan speed: configurable from 0.1° to 160°/s; preset speed: 240°/s   |
| Tilt Speed             | tilt speed: configurable from 0.1° to 120°/s, preset speed 200°/s   |
| Proportional Zoom      | Yes   |
| Presets                | 300   |
| Patrol Scan            | 8 patrols, up to 32 presets for each patrol   |
| Pattern Scan           | 4 pattern scans   |
| Power-off Memory       | Yes   |
| Park Action            | preset, pattern scan, patrol scan, auto scan, tilt scan, random scan, frame scan, panorama scan   |
| 3D Positioning         | Yes   |
| PTZ Status Display     | Yes   |
| Preset Freezing        | Yes   |
| Scheduled Task         | preset, pattern scan, patrol scan, auto scan, tilt scan, random scan, frame scan, panorama scan, dome reboot, dome adjust, aux output   |
| Exception Detection    | IP address conflict, HDD full, illegal login, HDD error, network disconnected   |
| <b>Video</b>           |   |
| Max. Resolution        | [Bullet channel]: 2560 × 1440; [PTZ channel]: 2560 × 1440   |
| Stream Type            | main stream, sub-stream, third stream   |
| Main Stream            | [Bullet channel]:<br>50 Hz: 25 fps (2560 × 1440, 1920 × 1080, 1280 × 960, 1280 × 720)<br>60 Hz: 30 fps (2560 × 1440, 1920 × 1080, 1280 × 960, 1280 × 720)<br>[PTZ channel]:<br>50 Hz: 25 fps (2560 × 1440, 1920 × 1080, 1280 × 960, 1280 × 720)<br>60 Hz: 30 fps (2560 × 1440, 1920 × 1080, 1280 × 960, 1280 × 720) |
| Sub-Stream             | [Bullet channel]:<br>50 Hz: 25 fps (704 × 576, 640 × 480, 352 × 288)<br>60 Hz: 30 fps (704 × 480, 640 × 480, 352 × 240)<br>[PTZ channel]:<br>50 Hz: 25 fps (704 × 576, 640 × 480, 352 × 288)<br>60 Hz: 30 fps (704 × 480, 640 × 480, 352 × 240)   |

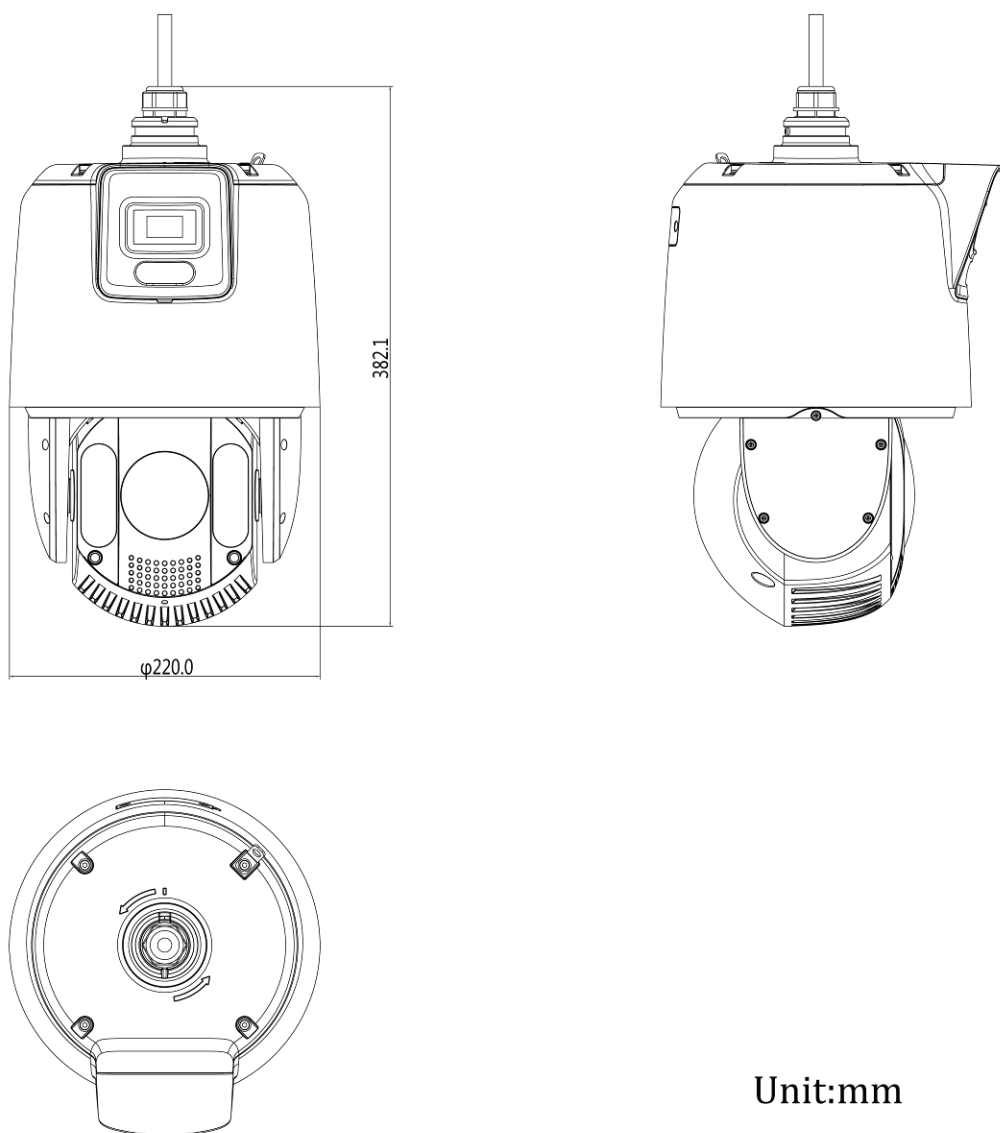
|                             |  |
|-----------------------------|--|
| Third Stream                | [Bullet channel]:<br>50 Hz: 25 fps (1920 × 1080, 1280 × 960, 1280 × 720, 704 × 576, 640 × 480, 352 × 288)<br>60 Hz: 30 fps (1920 × 1080, 1280 × 960, 1280 × 720, 704 × 480, 640 × 480, 352 × 240)<br>[PTZ channel]:<br>50 Hz: 25 fps (1920 × 1080, 1280 × 960, 1280 × 720, 704 × 576, 640 × 480, 352 × 288)<br>60 Hz: 30 fps (1920 × 1080, 1280 × 960, 1280 × 720, 704 × 480, 640 × 480, 352 × 240)        |
| Video Compression           | H.265, H.264, MJPEG  |
| Video Bit Rate              | 32 kbps to 16384 kbps  |
| H.264 Type                  | baseline profile, main profile, high profile   |
| H.265 Type                  | main profile   |
| H.264+                      | Yes  |
| H.265+                      | Yes  |
| SVC                         | Yes  |
| ROI                         | Main stream, sub-stream and third stream respectively support eight fixed areas  |
| <b>Audio</b>                |  |
| Audio Compression           | G.711, G.722.1, G.726, MP2L2, PCM  |
| Audio Bit rate              | 32 to 192 Kbps (MP2L2)   |
| Audio Sampling Rate         | 8 kHz, 16 kHz, 32 kHz, 48 kHz  |
| Environment Noise Filtering | Yes  |
| <b>Smart Features</b>       |  |
| Face Capture                | [Bullet channel] no<br>[PTZ channel] yes   |
| Basic Event                 | [PTZ channel] motion detection, video tampering alarm<br>[PTZ channel & bullet channel] alarm input, alarm output, exception   |
| Smart Event                 | [Bullet channel] intrusion detection, line crossing detection, region entrance detection, region exiting detection, audio exception detection<br>[PTZ channel] intrusion detection, line crossing detection, region entrance detection, region exiting detection, audio exception detection  |
| Auto Tracking               | [PTZ channel] yes  |
| Smart Linkage               | Manual tracking, auto tracking, tracking takeover, track in turn   |
| Smart Record                | ANR, Dual-VCA  |
| Alarm Linkage               | [Bullet channel] Upload to FTP/NAS/memory card, notify surveillance center, send email, trigger alarm output, trigger recording, audible warning, white light flashing<br>[PTZ channel] Upload to FTP/NAS/memory card, notify surveillance center, send email, trigger alarm output, trigger recording, audible warning, white light flashing, and PTZ actions (such as preset, patrol scan, pattern scan) |
| Warning and Alert           | white light and audible warning  |
| <b>Network</b>              |  |
| Network Storage             | NAS (NFS, SMB/ CIFS), ANR  |
| Protocols                   | IPv4/IPv6, HTTP, HTTPS, 802.1x, QoS, FTP, SMTP, UPnP, SNMP, DNS, DDNS, NTP, RTSP, RTCP, RTP, TCP/IP, UDP, IGMP, ICMP, DHCP, PPPoE, Bonjour   |
| API                         | Open-ended API, Open Network Video Interface (Profile S, Profile G), ISAPI, Hikvision SDK, Third-party management platform, ISUP   |
| Simultaneous Live View      | 20   |
| User/Host                   | 32   |

|                               |  |
|-------------------------------|--|
| Security Measures             | Authenticated username and password, MAC address binding, HTTPS encryption, 802.1X authenticated access, IP address filter   |
| Client                        | iVMS-4200, Hik-Connect   |
| Web Browser                   | IE 10+, Chrome 57+, Firefox 52+, Safari 12+  |
| <b>Interface</b>              |  |
| Communication Interface       | RJ45, self-adaptive 10M/100M Ethernet port   |
| On-board Storage              | Built-in memory card slot, support Micro SD/Micro SDHC/Micro SDXC, up to 256 GB  |
| Alarm Input                   | 2 alarm inputs   |
| Alarm Output                  | 1 alarm output   |
| Audio Input                   | 1 audio input, 2.0 to 2.4Vp-p, 1k Ohm±10%  |
| Audio Output                  | 1 audio output, line level, impedance: 600 Ω   |
| <b>General</b>                |  |
| Power                         | 24 VAC, Hi-PoE   |
| Power Consumption and Current | Max. 42 W, including max. 2.6 W for heater and max. 11 W for supplement light  |
| Operating Conditions          | -30°C to 65°C (-22°F to 149°F), humidity lower than 90%RH  |
| Reset                         | Yes  |
| Demist                        | Demist by heating the glass  |
| Material                      | ADC12  |
| Dimensions                    | ∅ 220 mm × 382.1 mm (∅ 8.66" × 15.04")   |
| Weight                        | Approx. 6 kg (13.23 lb.)   |
| <b>Approval</b>               |  |
| Protection                    | IP66 Standard, IK10 (excluding glass window), 6000 V Lightning Protection, Surge Protection and Voltage Transient Protection |

### ▪ Available Model

DS-2SE7C425MW-AEB(14F1)(P3)






▪ **Dimension**



Unit:mm

▪ **Accessory**

▪ **Optional**

| DS-1661ZJ<br>Pendant Mount  | DS-1602ZJ-Corner<br>Corner mount  | DS-1602ZJ-Pole<br>Vertical pole mount   | DS-1602ZJ<br>Wall mount   | DS-1681ZJ-2<br>Installation Adaptor   |
|---|---|---|---|---|
|  |  |  |  |  |

**DS-2681ZJ**

**Cardan Joint**



Distributed by

**HIKVISION®****Headquarters**

No.555 Qianmo Road, Binjiang District,  
Hangzhou 310051, China  
T +86-571-8807-5998  
overseasbusiness@hikvision.com

**Hikvision USA**  
T +1-909-895-0400  
sales.usa@hikvision.com

**Hikvision Australia**  
T +61-2-8599-4233  
salesau@hikvision.com

**Hikvision India**  
T +91-22-28469900  
sales@pramahikvision.com

**Hikvision Canada**  
T +1-866-200-6690  
sales.canada@hikvision.com

**Hikvision Thailand**  
T +66-2-775-9749  
sales.thailand@hikvision.com

**Hikvision Europe**  
T +31-23-5542770  
sales.eu@hikvision.com

**Hikvision Italy**  
T +39-0438-6902  
info.it@hikvision.com

**Hikvision Brazil**  
T +55 11 3318-0050  
Latam.support@hikvision.com

**Hikvision Turkey**  
T +90 (216)521 7070- 7074  
sales.tr@hikvision.com

**Hikvision Malaysia**  
T +601-7652-2413  
sales.my@hikvision.com

**Hikvision UK & Ireland**  
T +01628-902140  
sales.uk@hikvision.com

**Hikvision South Africa**  
Tel: +27 (10) 0351172  
sale.africa@hikvision.com

**Hikvision France**  
T +33(0)1-85-330-450  
info.fr@hikvision.com

**Hikvision Kazakhstan**  
T +7-727-9730667  
nikia.panfilov@hikvision.ru

**Hikvision Vietnam**  
T +84-974270888  
sales.vt@hikvision.com

**Hikvision UAE**  
T +971-4-4432090  
salesme@hikvision.com

**Hikvision Singapore**  
T +65-6684-4718  
sg@hikvision.com

**Hikvision Spain**  
T +34-91-737-16-55  
info.es@hikvision.com

**Hikvision Tashkent**  
T +99-87-1238-9438  
uzb@hikvision.ru

**Hikvision Hong Kong**  
T +852-2151-1761  
info.hk@hikvision.com

**Hikvision Russia**  
T +7-495-669-67-99  
saleru@hikvision.com

**Hikvision Korea**  
T +82-(0)31-731-8817  
sales.korea@hikvision.com

**Hikvision Poland**  
T +48-22-460-01-50  
info.pl@hikvision.com

**Hikvision Indonesia**  
T +62-21-2933759  
Sales.Indonesia@hikvision.com

**Hikvision Colombia**  
sales.colombia@hikvision.com